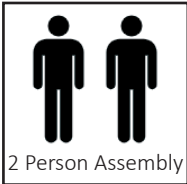


# CHATBOX DUO Assembly Manual

## Important safety information



Take photographs before and after opening the cardboard packages to document any damage caused during delivery.

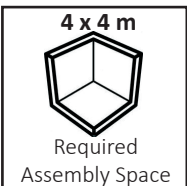


Minimum two persons required for the product assembly.



Approximate assembly time is 1 h.

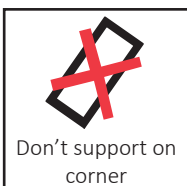
*Note! Assembly may take longer.*



Assembly requires approximate 4x4m open floor space for safety.

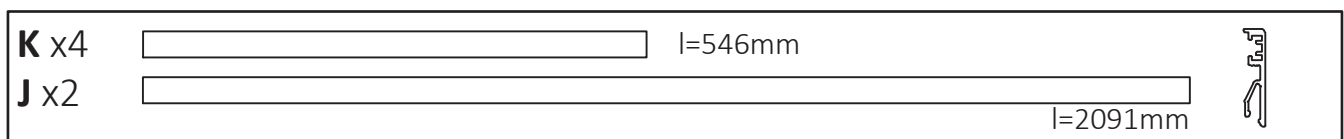
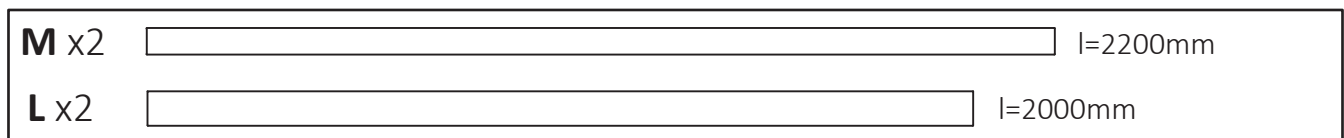
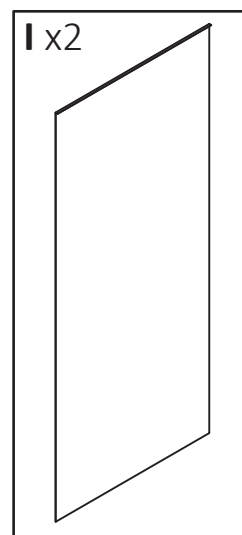
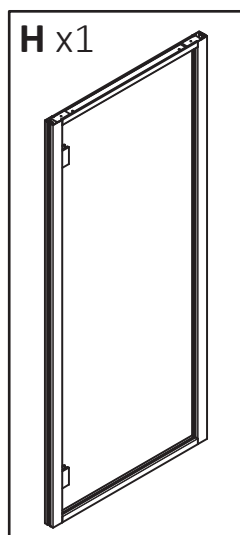
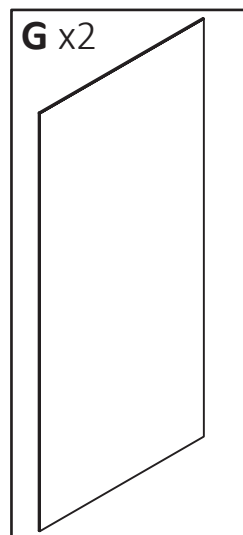
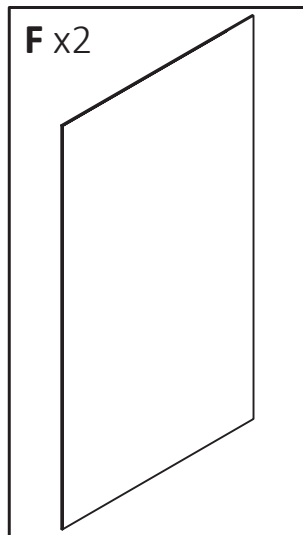
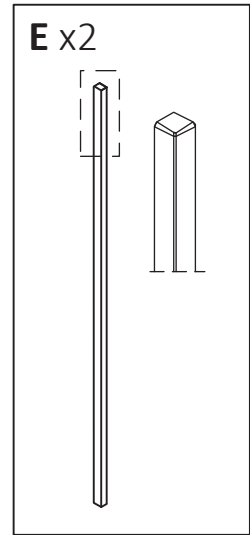
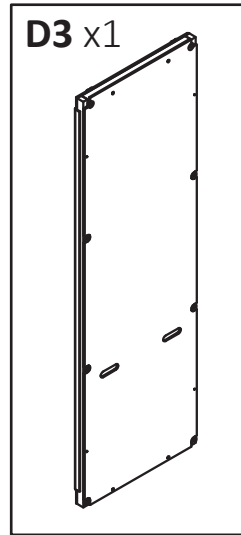
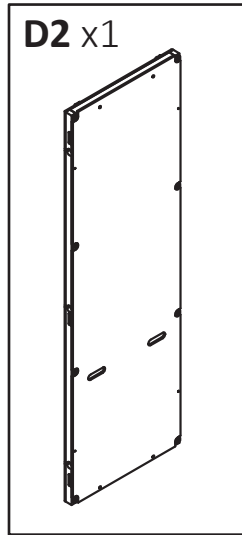
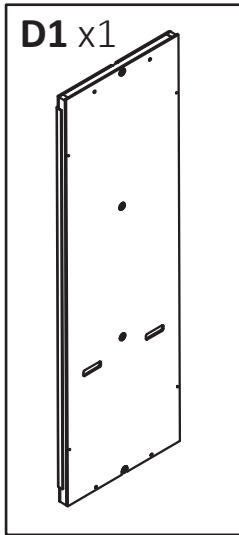
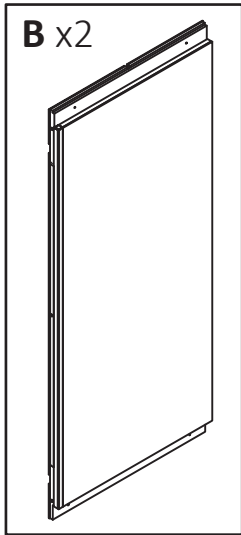
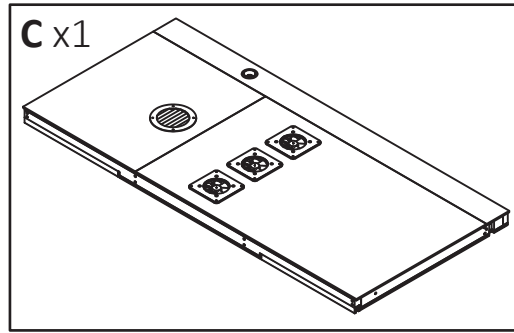
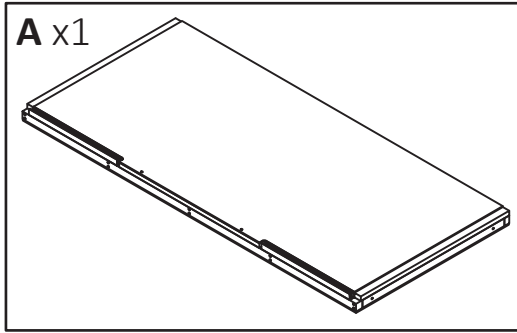


Risk of tip-over during product assembly, additional support required for safety.

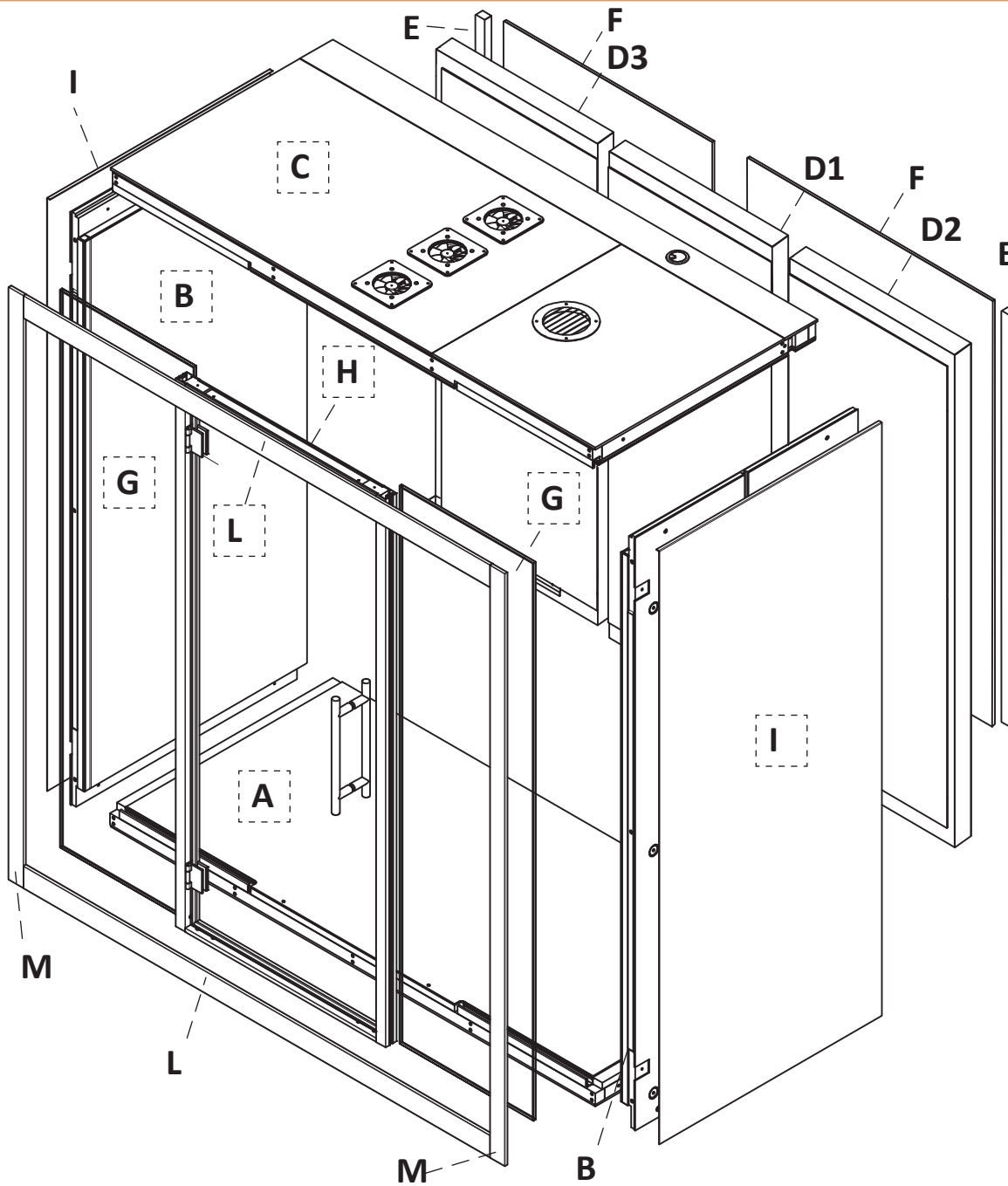


Risk of damaging the glass panels or other product parts if supported on corners for assembly and transportation.

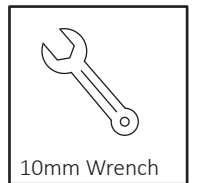
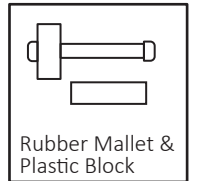
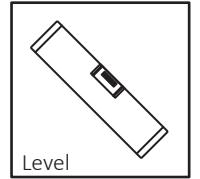
# Product components



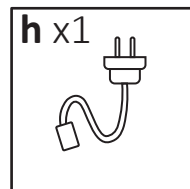
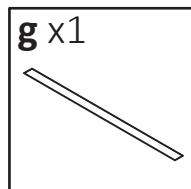
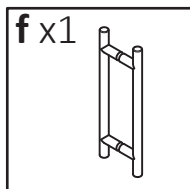
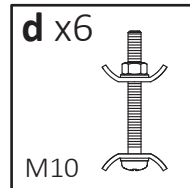
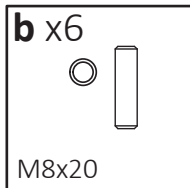
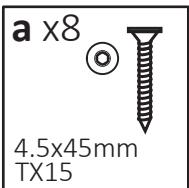
# Attachments and Tools



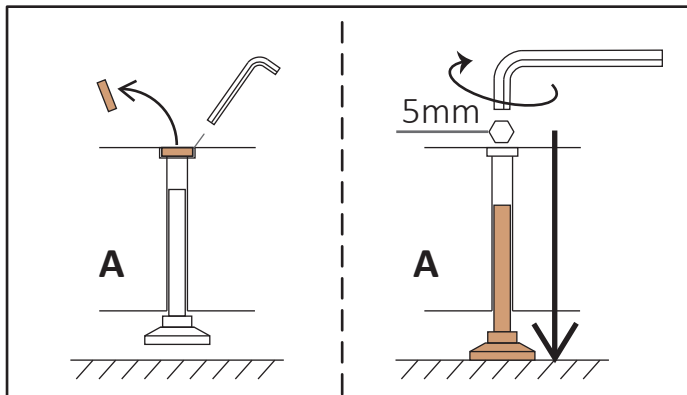
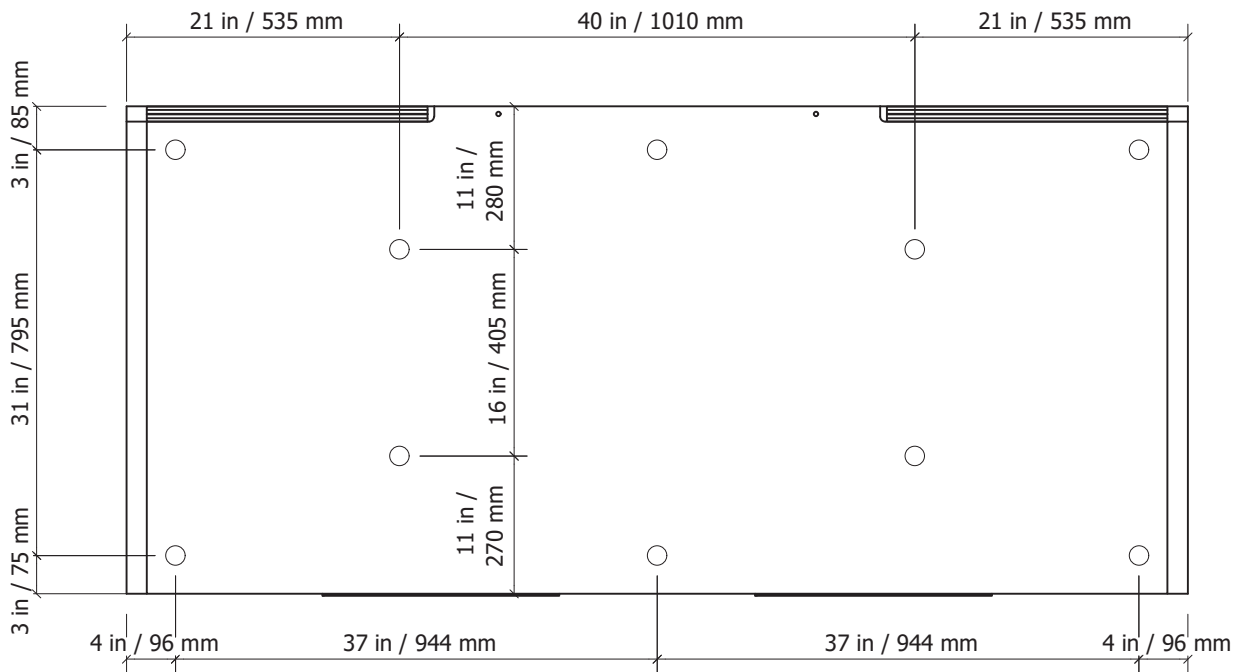
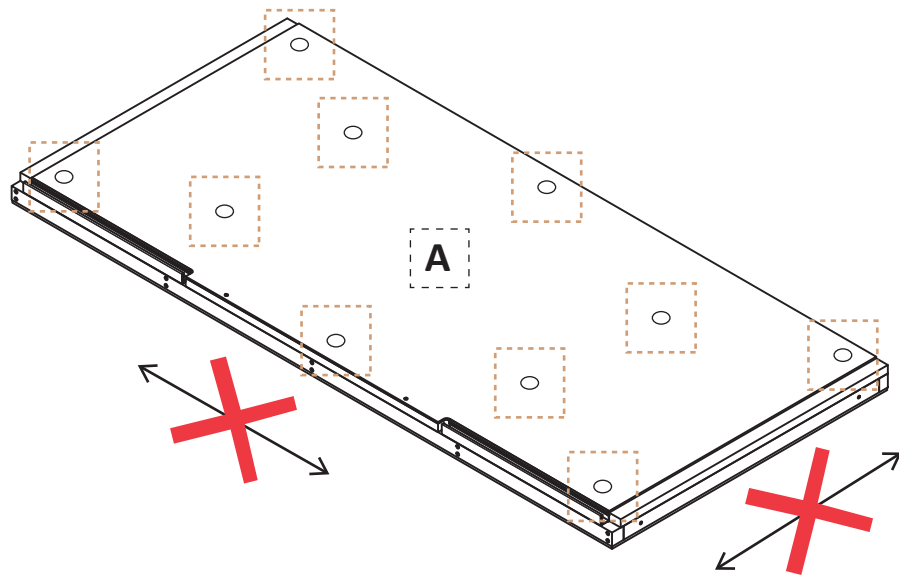
## TOOLS:



## ATTACHMENTS:



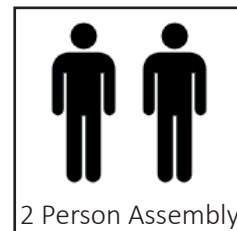
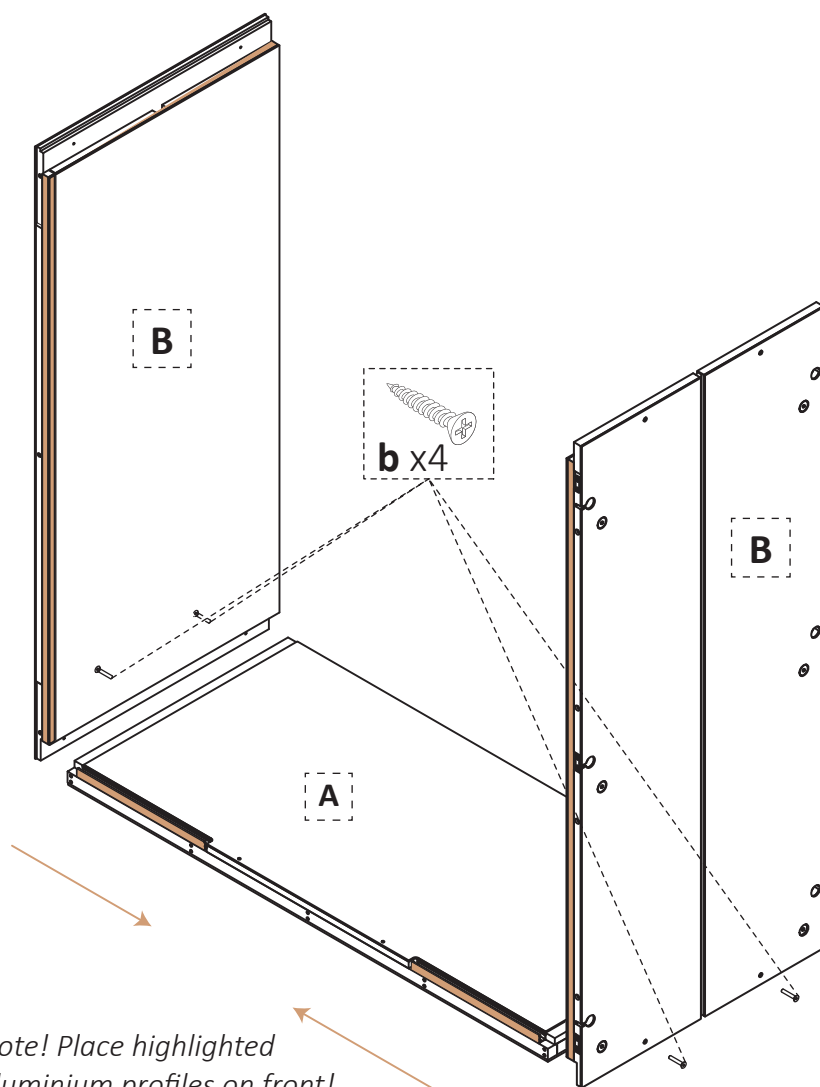
# 1. Floor module Assembly



Place the Floor module (A) to desired location of the Chatbox. Remove carpet plugs on marked positions and use a 5mm allen key and a level to adjust all 10 levelling glides.

*Note! Glides must be lowered minimally.*

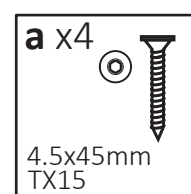
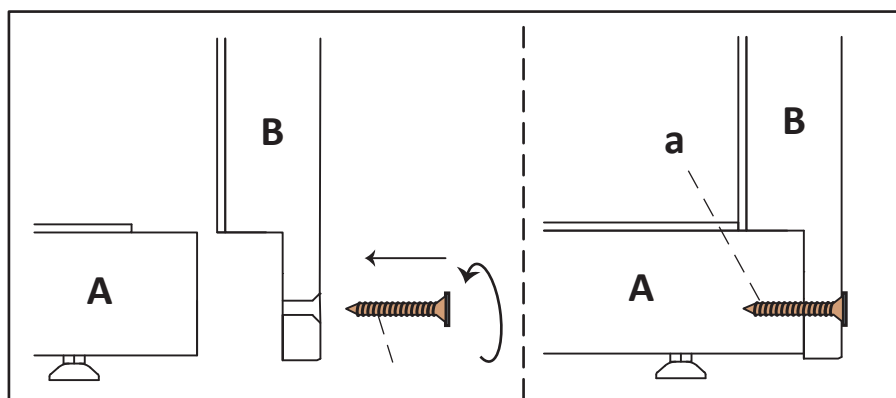
## 2. Side module Assembly



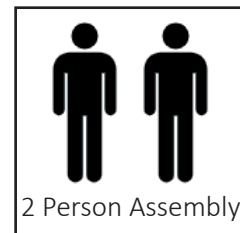
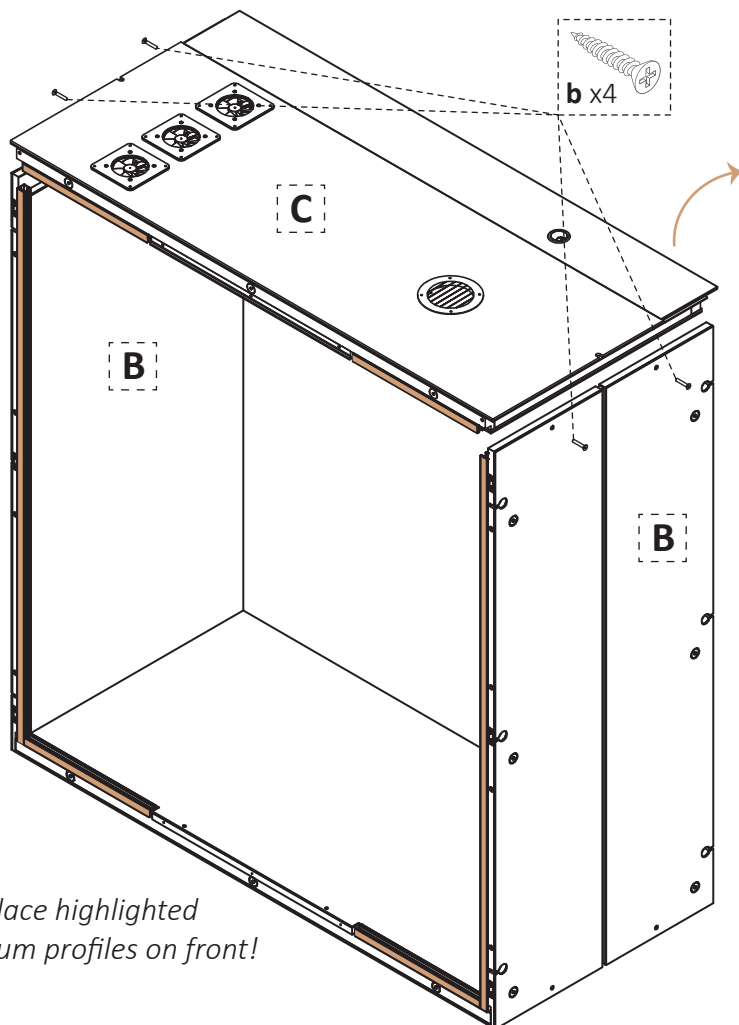
*Note! Place highlighted aluminium profiles on front!*

Lift each of the Side modules (B) on top of the Floor module (A) and drive in screws "a" to secure the Side modules.

*Note! Assembly must be supported from the side to avoid tipping over before second Side module is attached.*

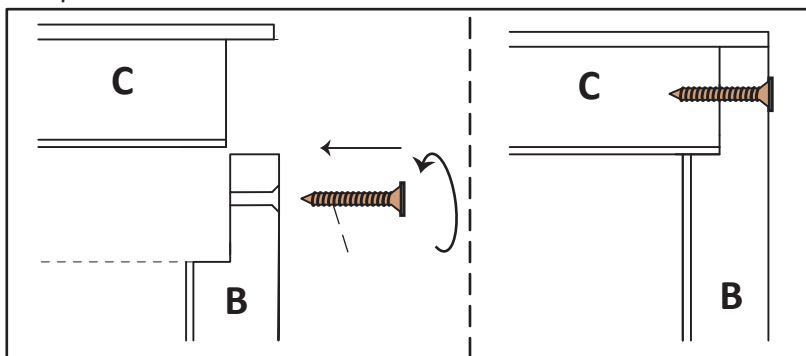


### 3. Ceiling module Assembly

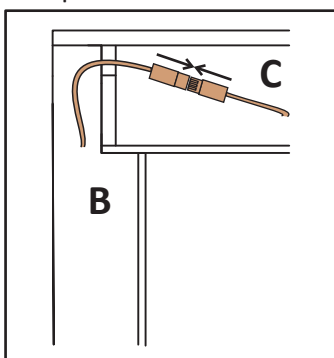


*Note! Place highlighted aluminium profiles on front!*

Step 1.

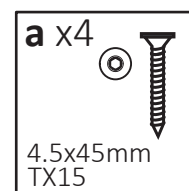


Step 2.

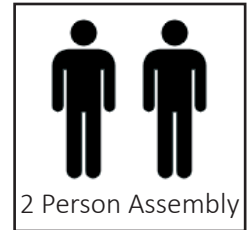
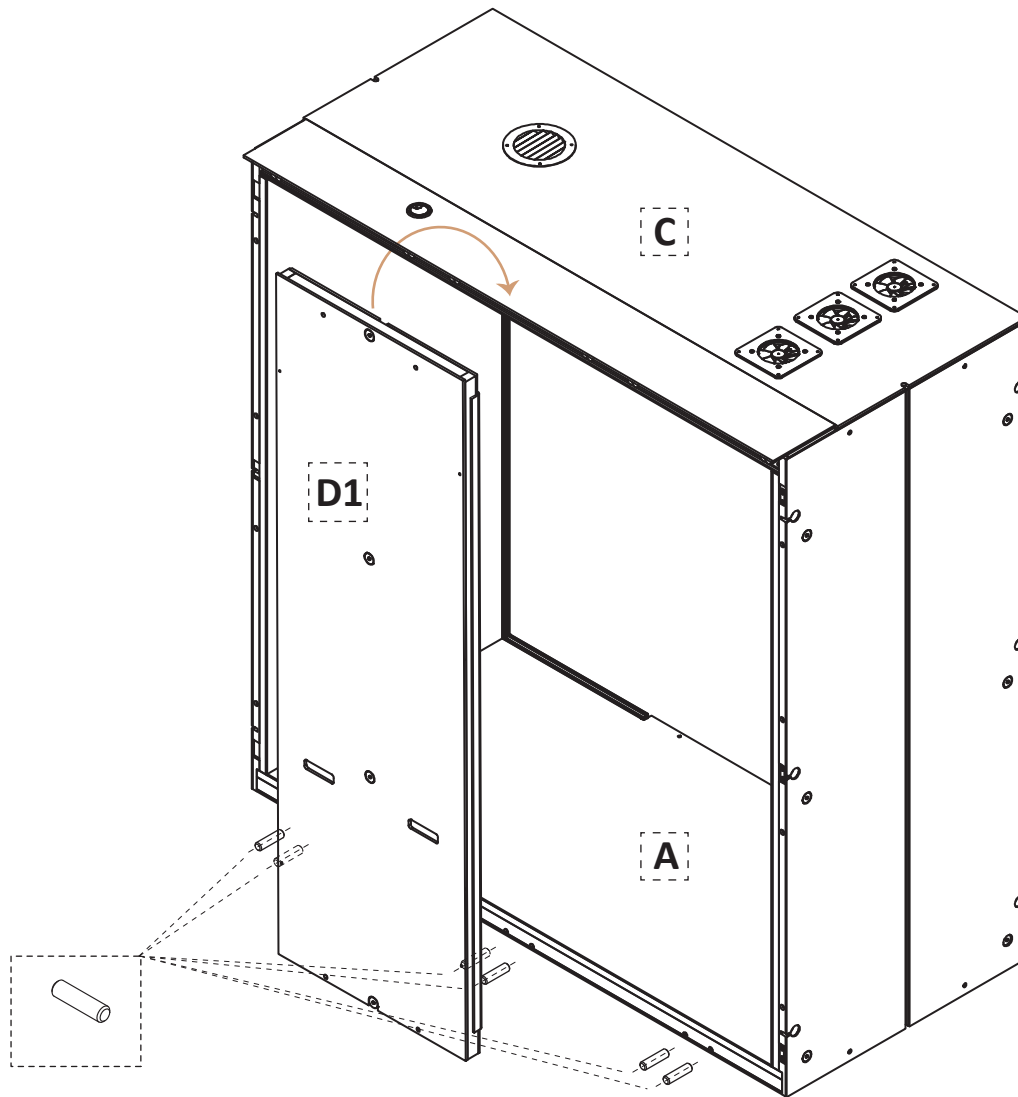


**Step 1.** Lift the Ceiling module (C) on top of the Side modules (B) and drive in screws "a" to secure the ceiling module.

**Step 2.** Connect the electrical fittings and place the fittings into the Ceiling module (C)



## 4. Rear Wall Panel Assembly



**Step 1.** Attach all six pins “b” to the floor modul A.

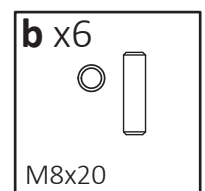
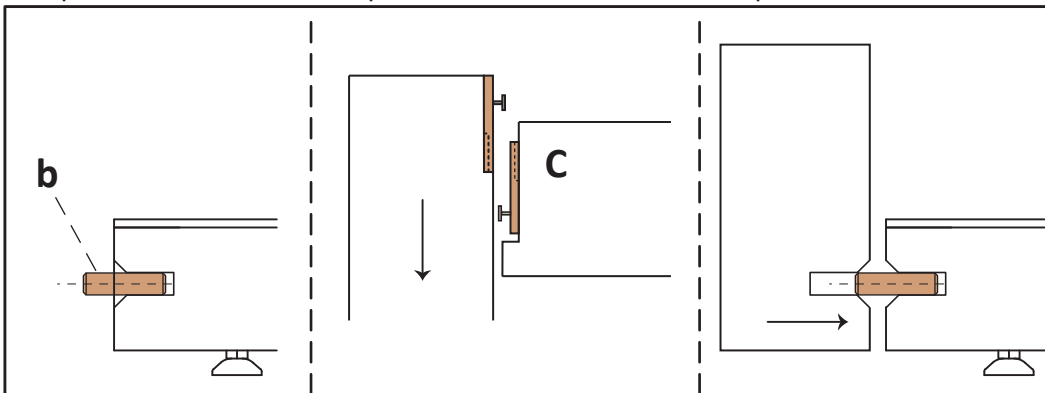
**Step 2.** Lift rear wall panel (D1) on top of ceiling panel (C) and lower it carefully until it's secured with attachments between the ceiling and rear wall panel.

**Step 3.** Push the bottom of the rear wall panel (D1) towards the floor module (A) until it's secured with previously attached pins.

Step 1.

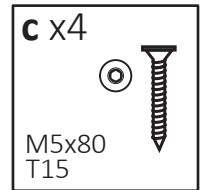
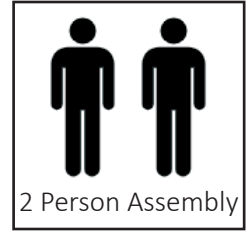
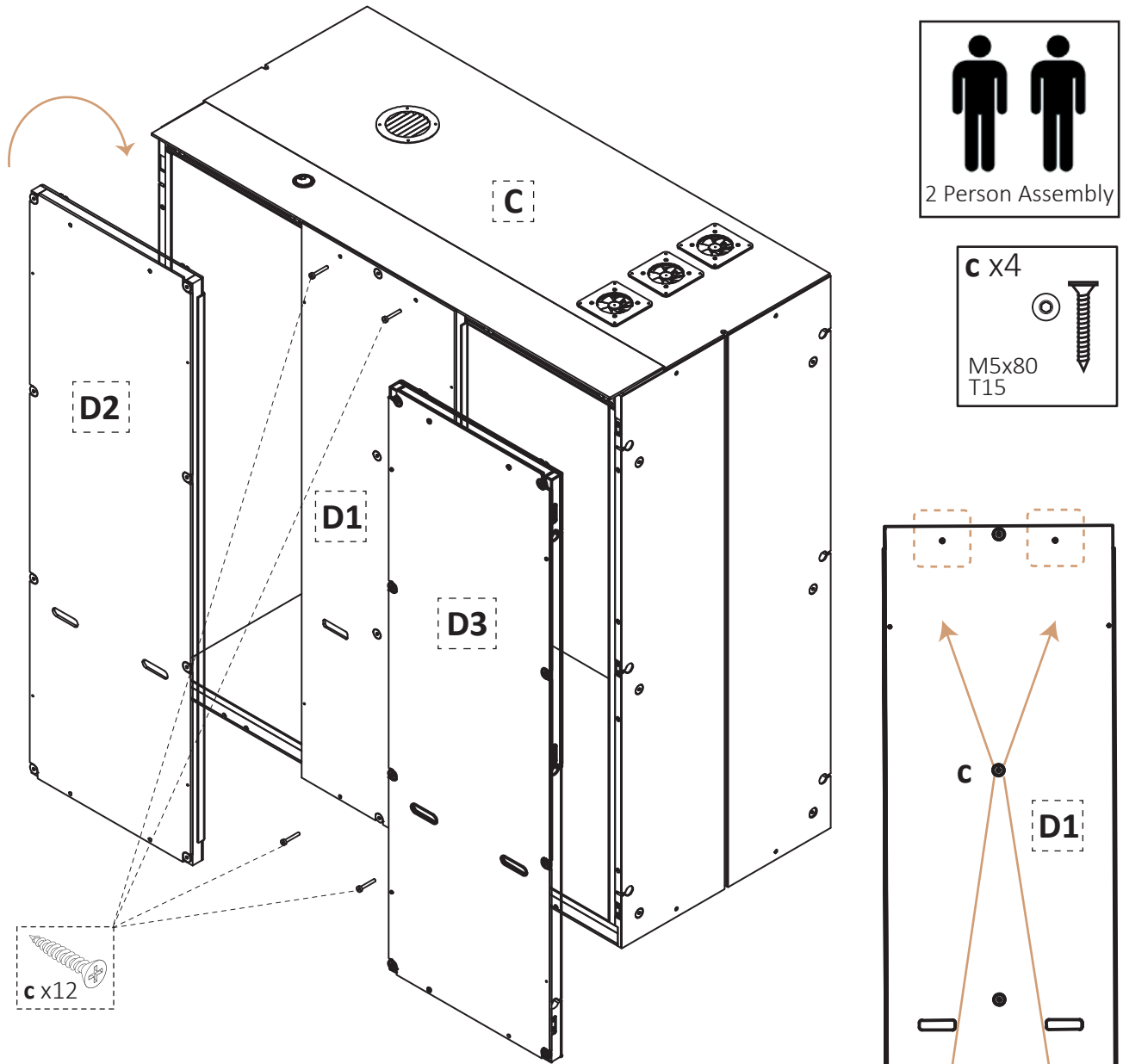
Step 2.

Step 3.





## 5. Rear Wall Panel Assembly



**Step 1.** Secure the rear wall panel (D1) with screws “c” at marked locations

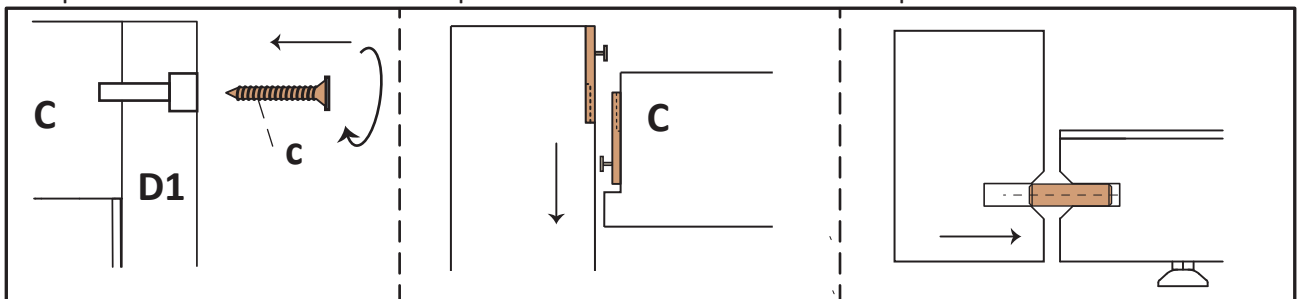
**Step 2.** Lift rear wall panel (D2 & D3) on top of ceiling panel (C) and lower it carefully until it’s secured with attachments between the ceiling and rear wall panel.

**Step 3.** Push the bottom of the rear wall panels (D2 & D3) towards the floor module (A) until it’s secured with previously attached pins.

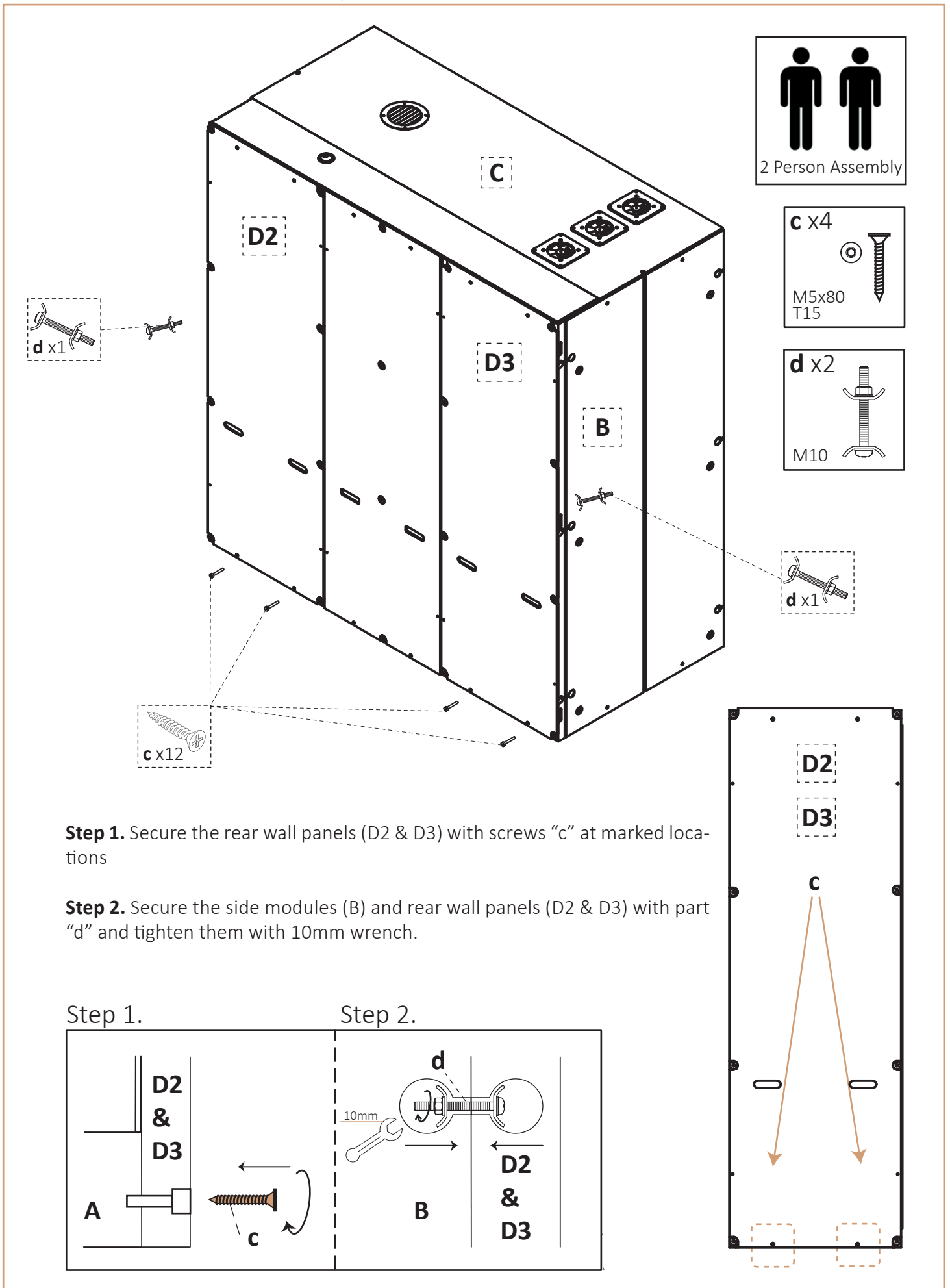
Step 1.

Step 2.

Step 3.



## 6. Rear Wall Panel Assembly

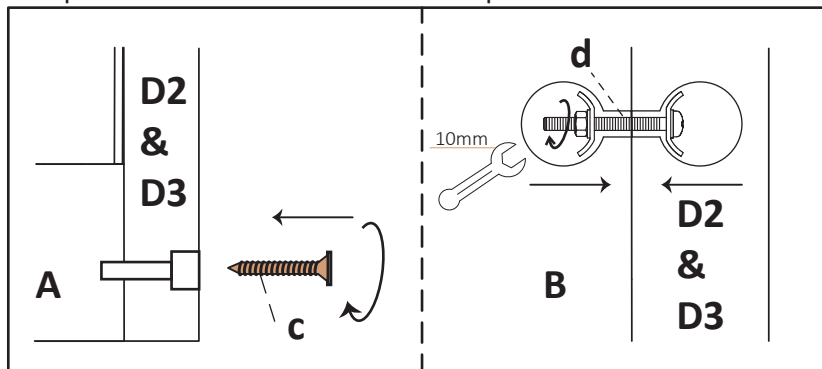


**Step 1.** Secure the rear wall panels (D2 & D3) with screws "c" at marked locations

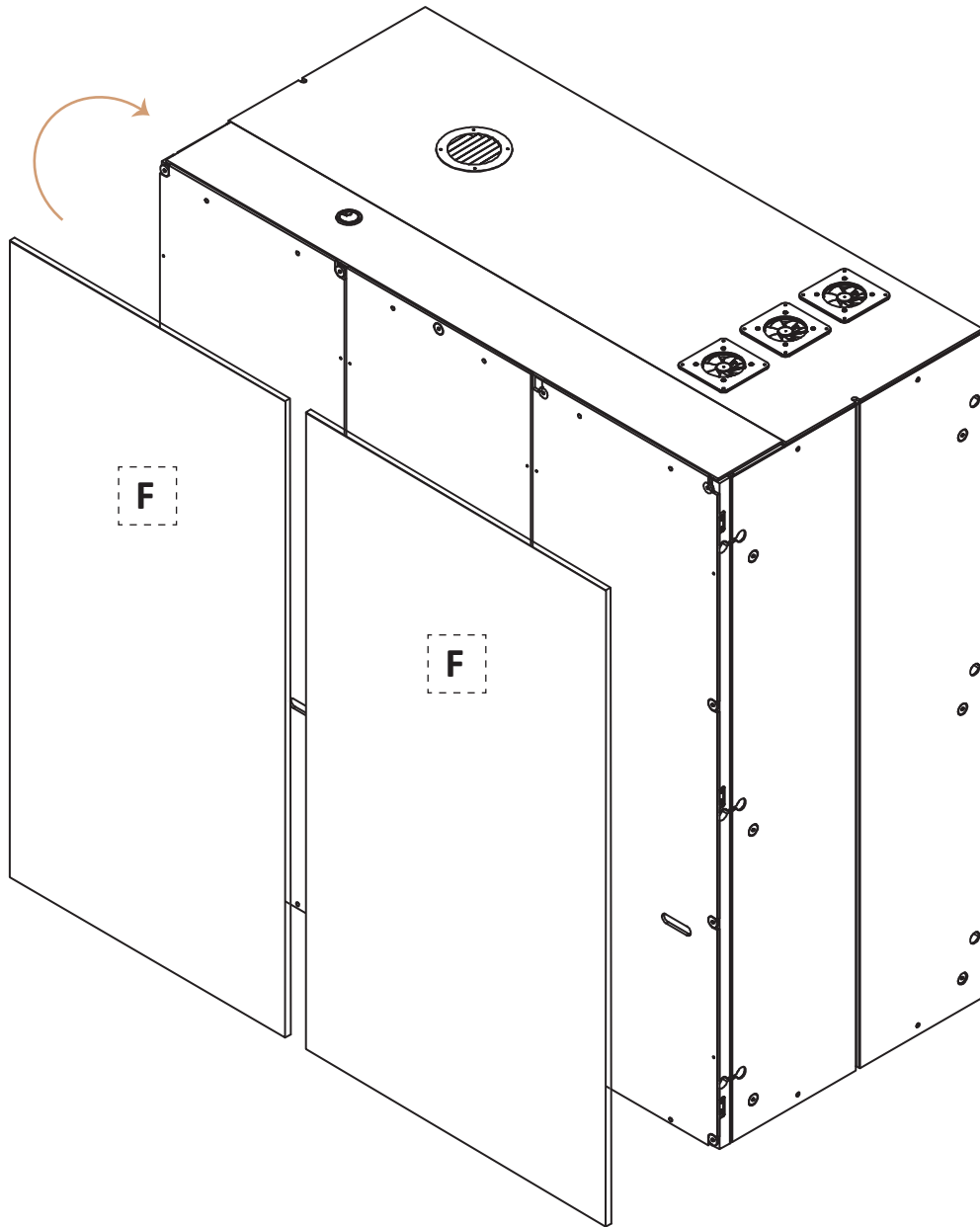
**Step 2.** Secure the side modules (B) and rear wall panels (D2 & D3) with part "d" and tighten them with 10mm wrench.

Step 1.

Step 2.



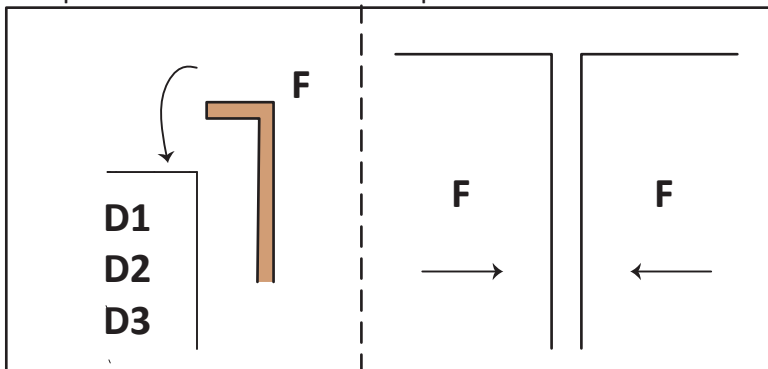
## 7. Rear Wall Covering Plate Assembly



**Step 1.** Attach the Covering plates (F) by placing them first on top of the Chatbox and then slowly let the magnets pull the side panel to it's place.

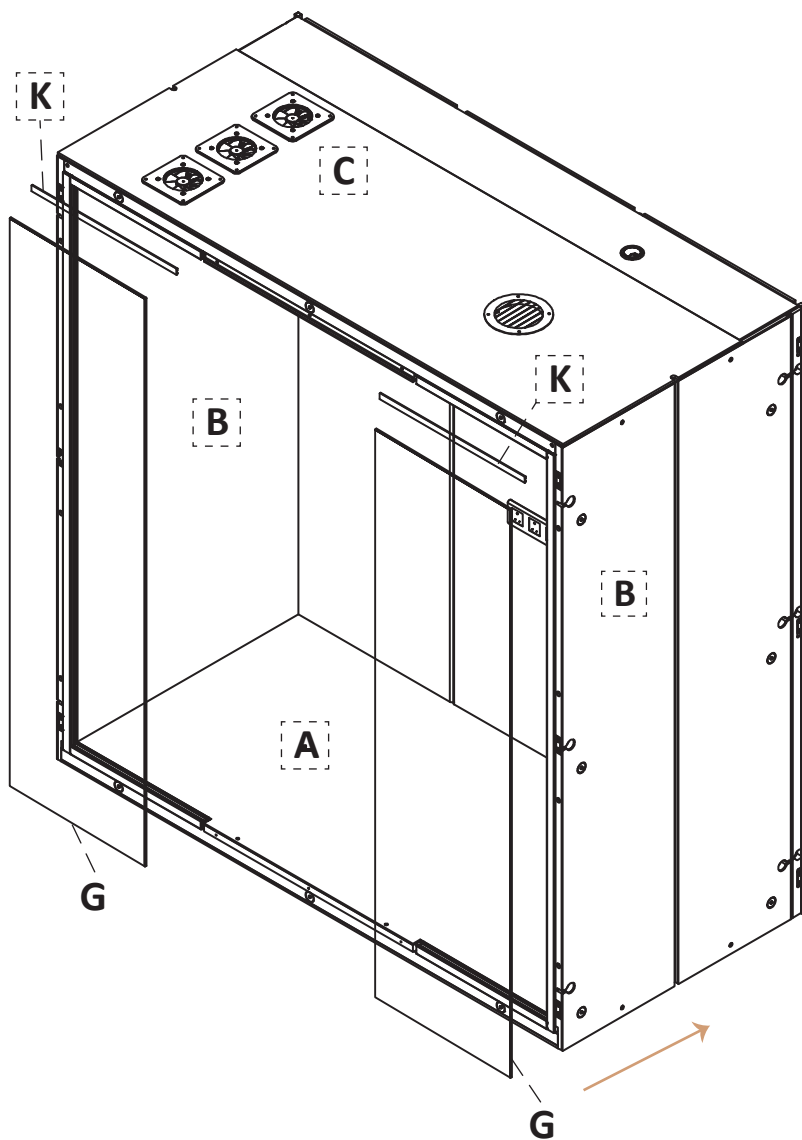
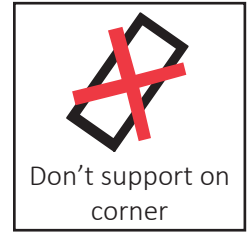
**Step 2.** Push the Covering plates (F) together until there is no gap in between.

Step 1.



Step 2.

## 8. Front Glass Panel Assembly



**Step 1.** Click in profiles (K) to the ceiling module using a rubber mallet and plastic block to secure it.

**Step 2.**

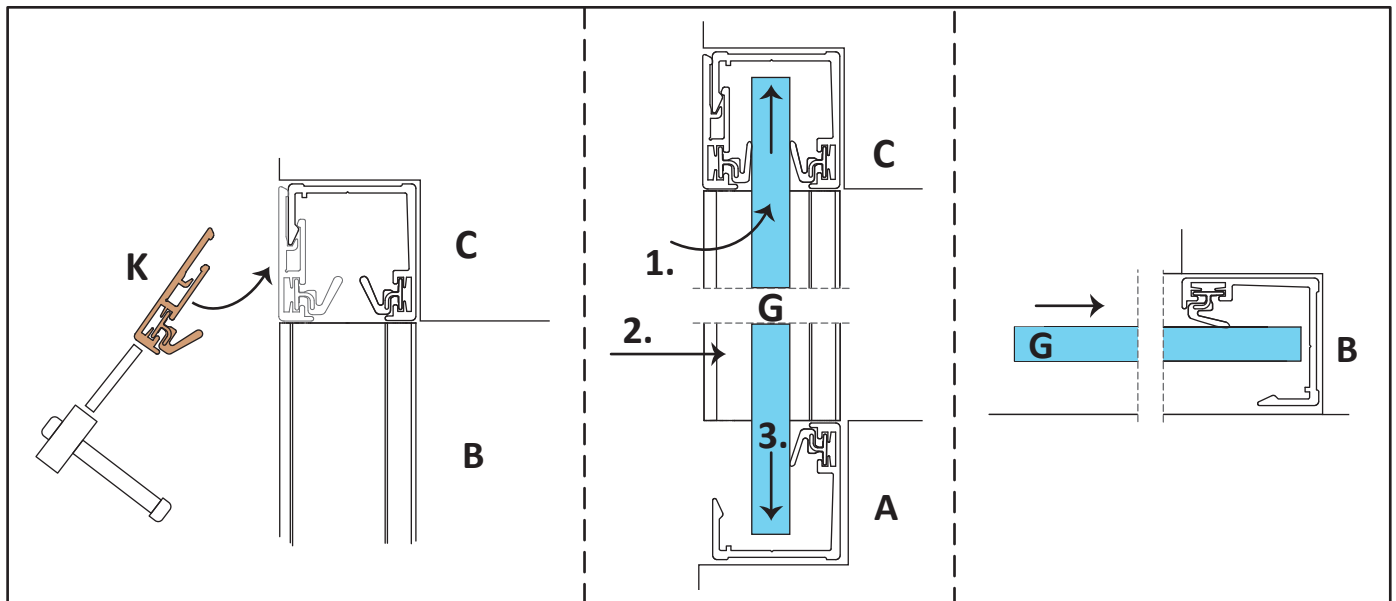
- Lift the glass panel (G) into the top aluminum profile using suction cups,
- Push the bottom of the glass panel (G) towards the back of the cabin,
- Carefully lower the glass panel (G) until it stands on spacers pre-installed in the bottom aluminum profile,
- Repeat with second glass panel on the opposite side.

**Step 3.** Shift the glass panels (G) right/left until they reach the bottom of the aluminum profile on the side modules (B).

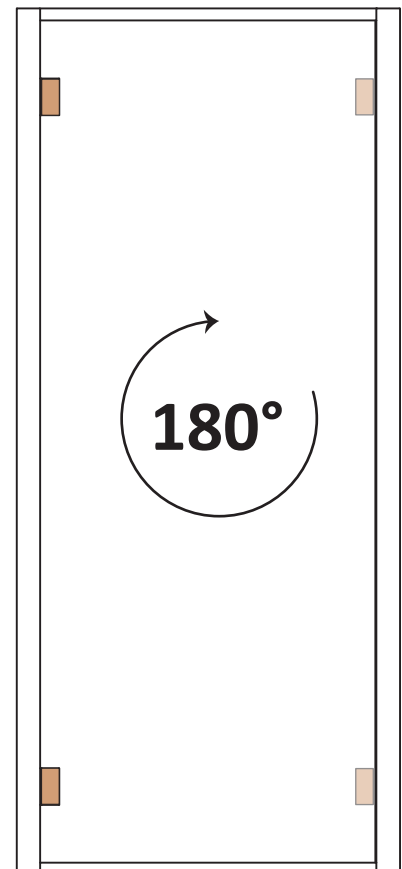
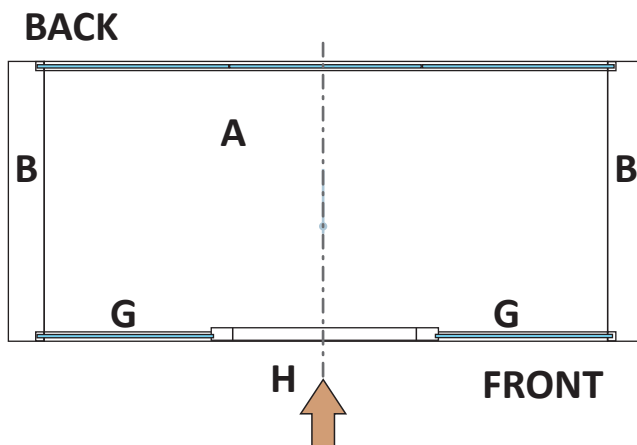
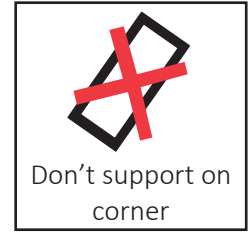
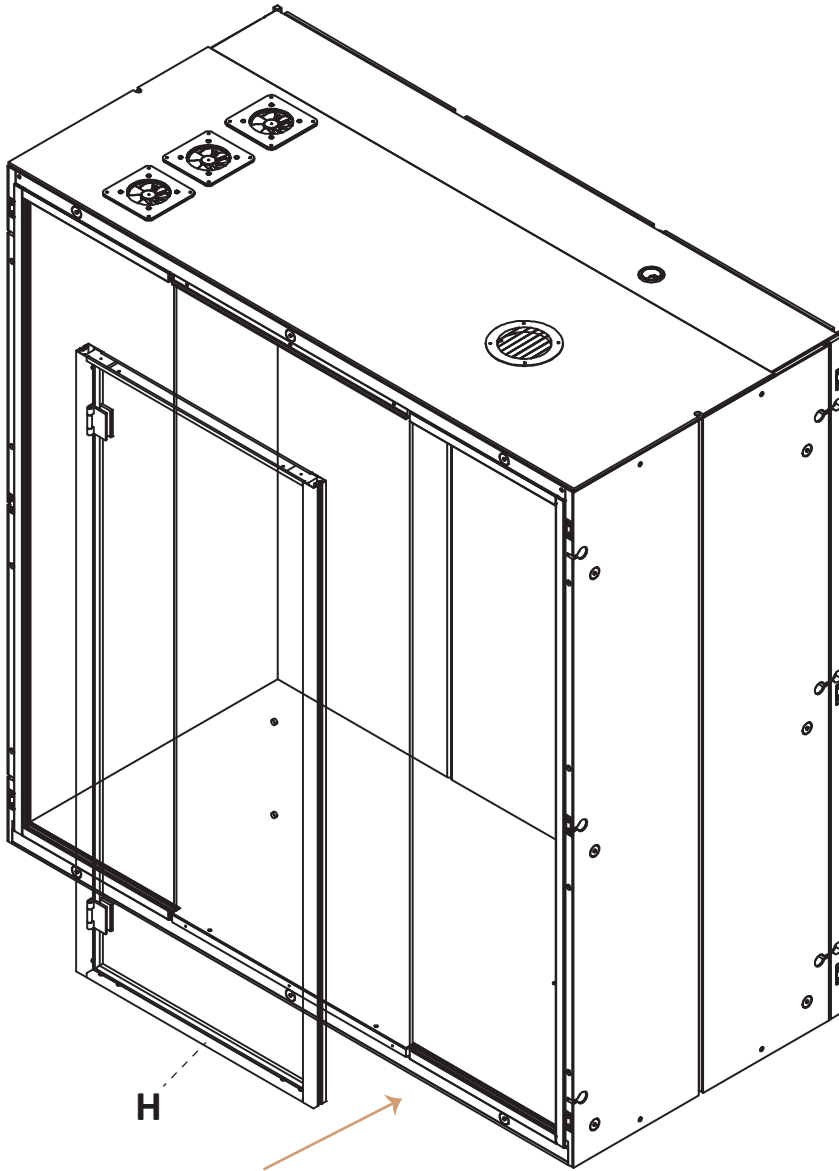
Step 1.

Step 2.

Step 3.

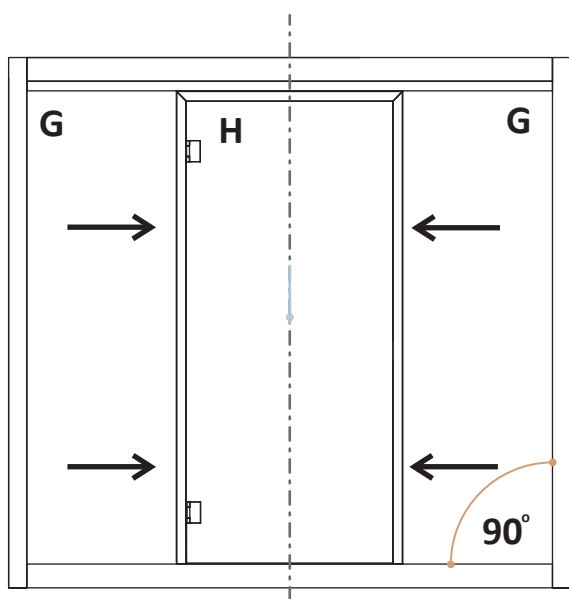
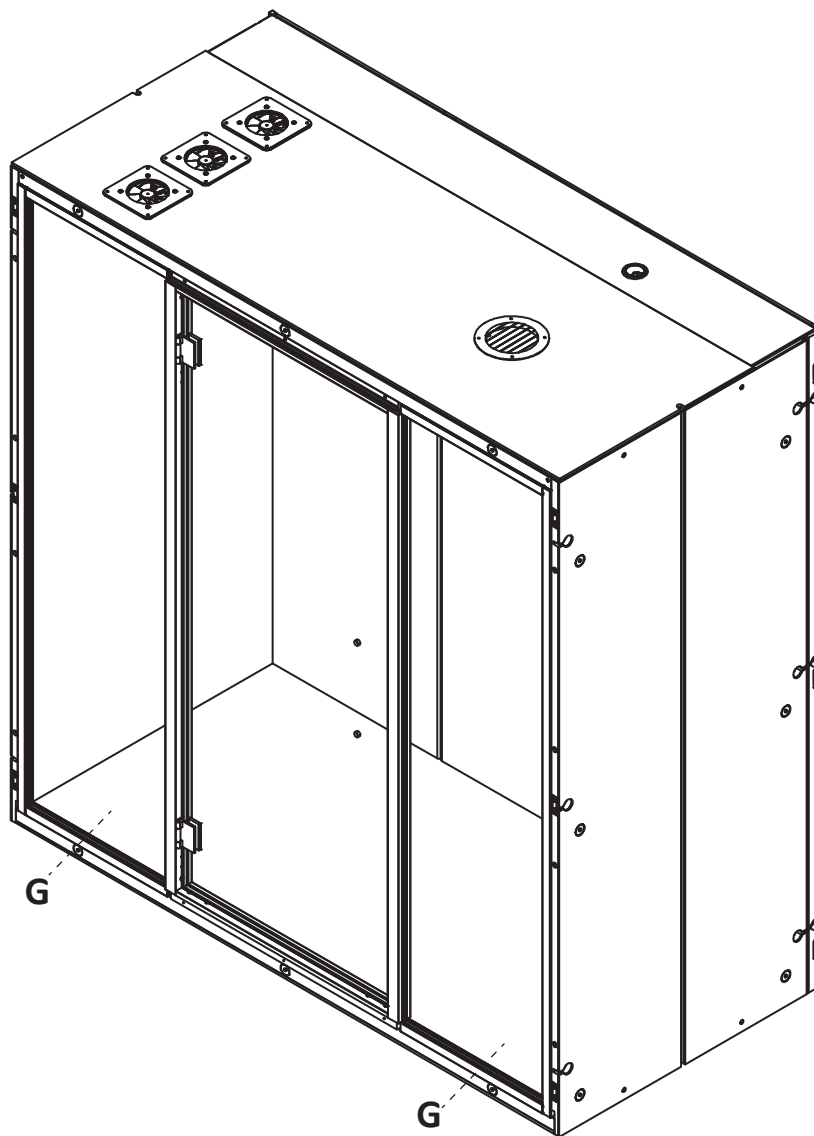


## 9. Door Frame Assembly



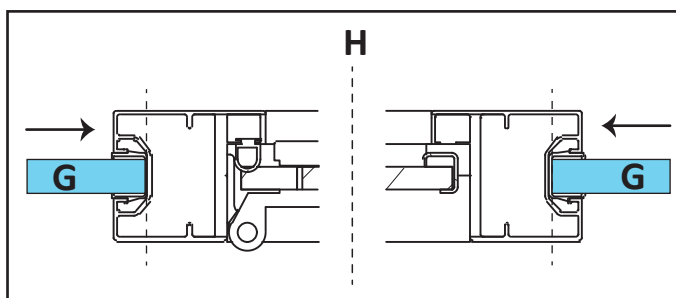
*Note! To change the door handedness rotate the Door frame (H) 180°*

## 10. Front Glass Panel Adjustments

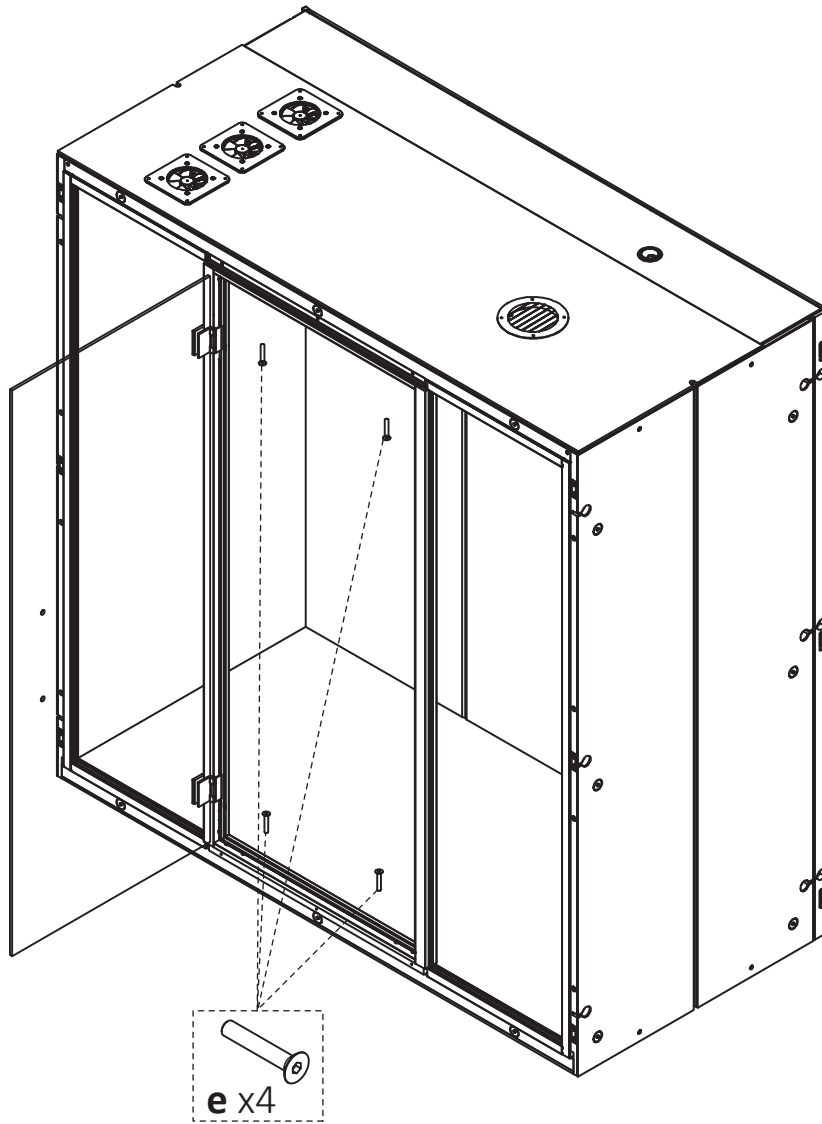


Push the front glass panels (G) firmly towards the door frame until both panels are slid into the door frame profiles.

*Note! Make sure the side and floor module are perpendicular to each other*

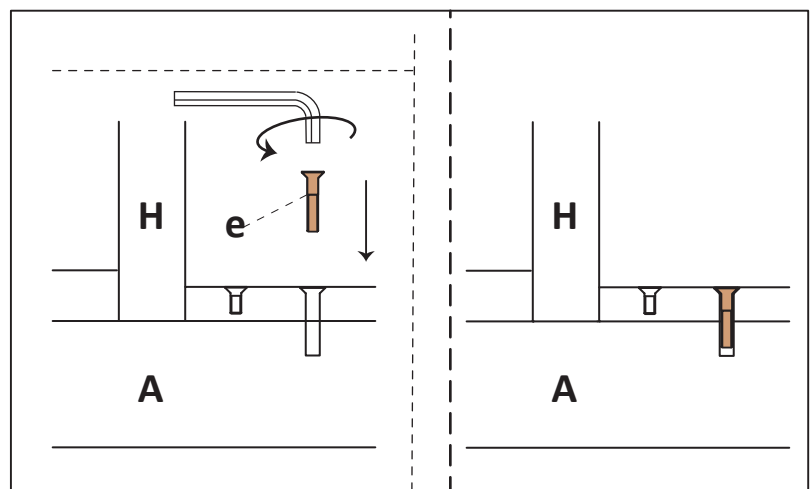
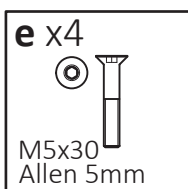


## 11. Door Frame attachments

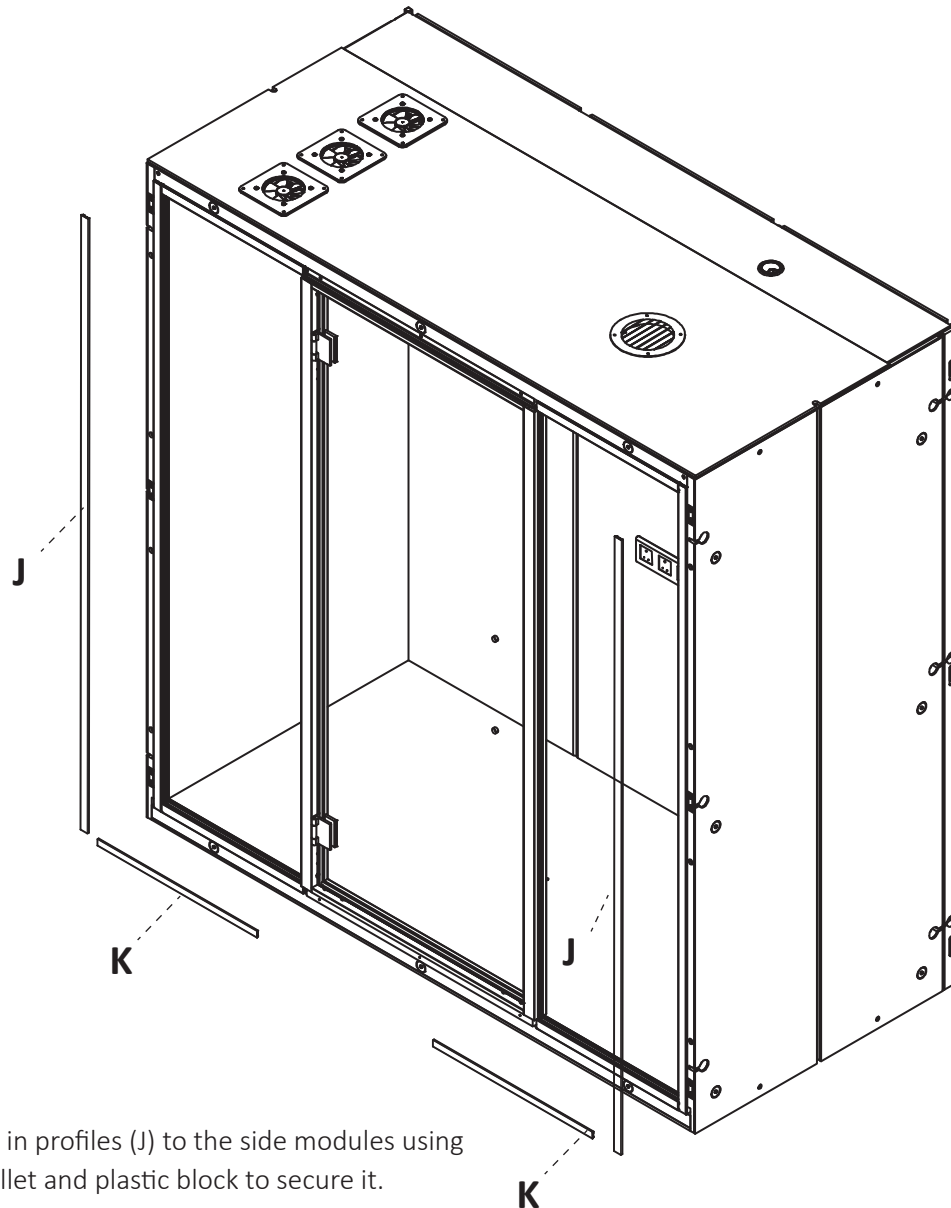


Drive in screws "e" to attach the Door frame (H) to the Chatbox

*Note! Door must be in "open" position for assembly.*

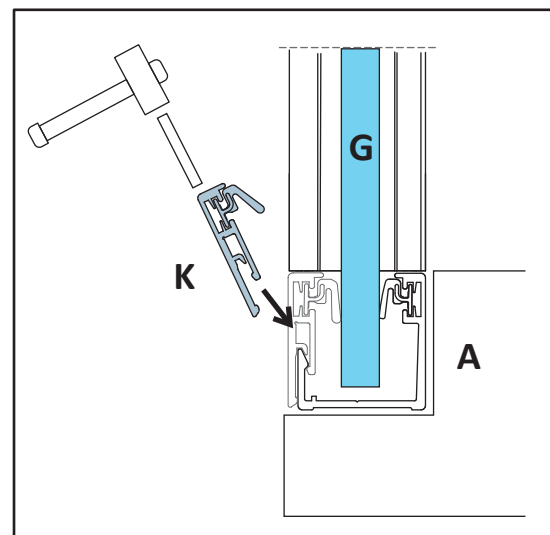
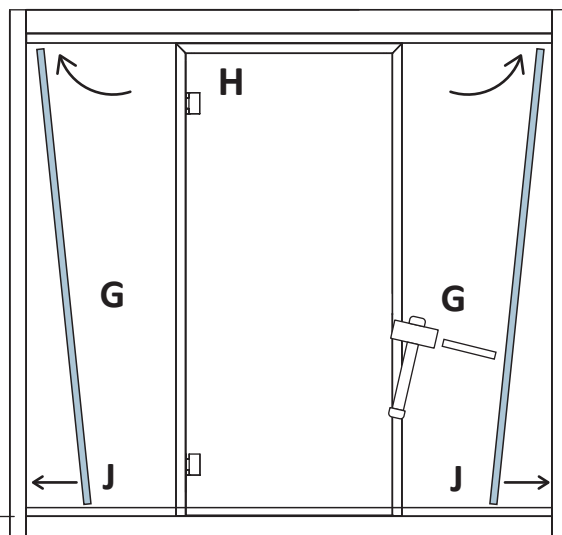


## 12. Profile Assembly



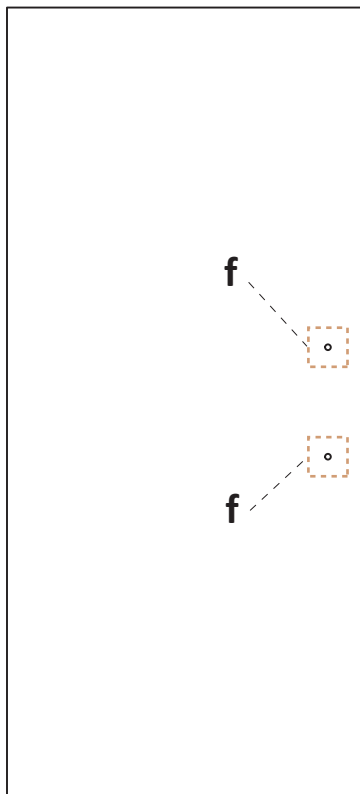
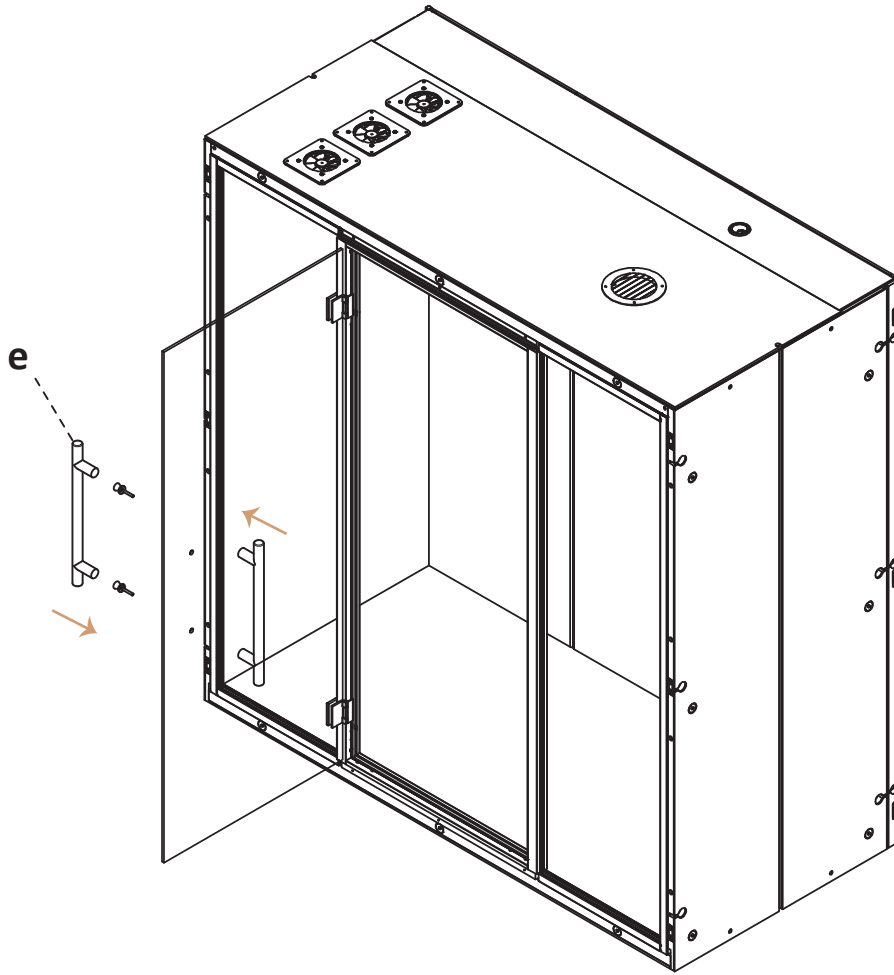
**Step 1.** Click in profiles (J) to the side modules using a rubber mallet and plastic block to secure it.

**Step 2.** repeat the process with profiles (K) on Floor module.



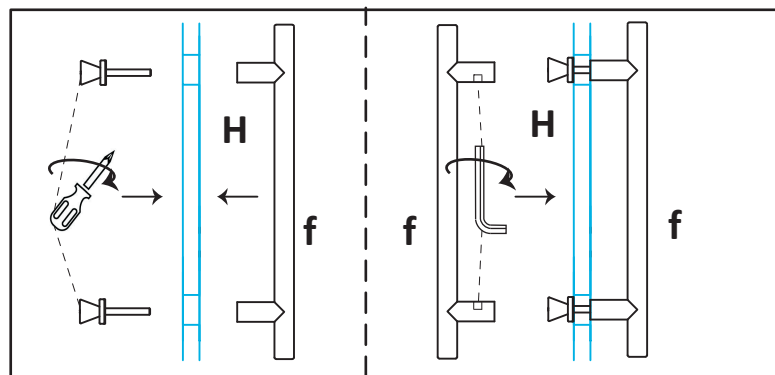
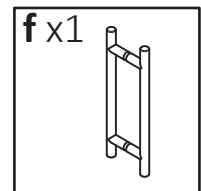


# 13. Door Handle Assembly

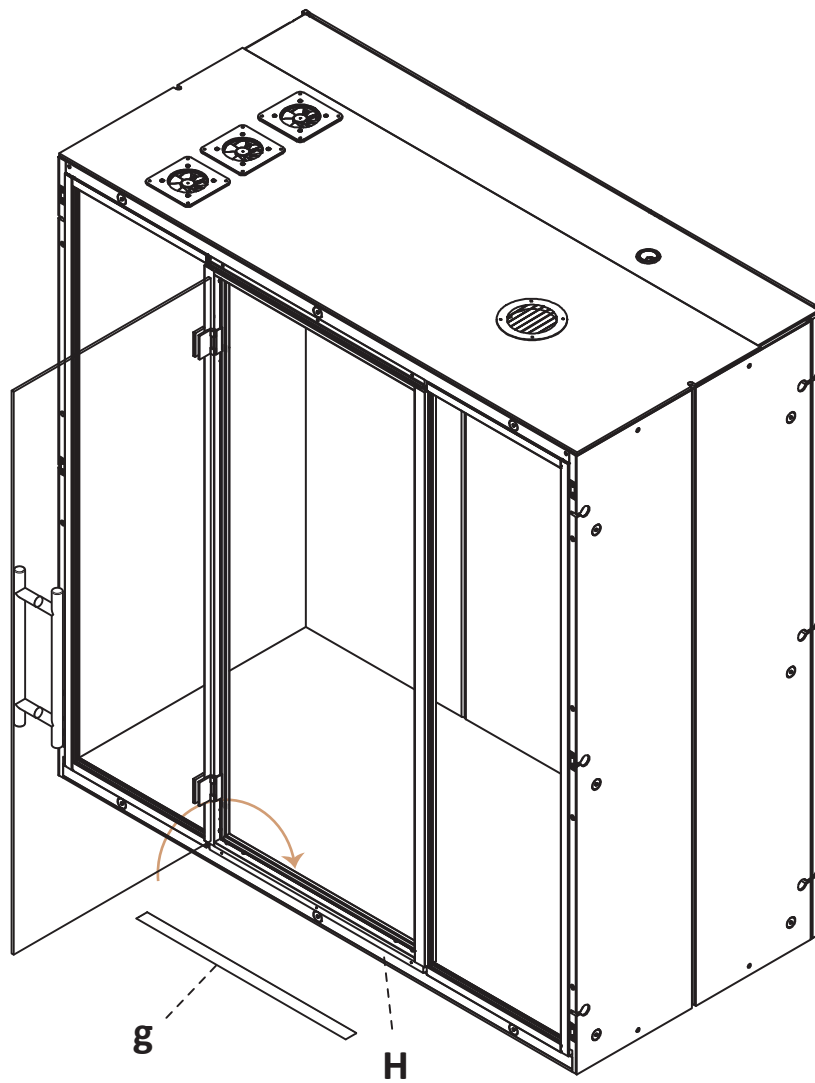


**Step 1.** Place the Door handle “f” on the Door glass (H) and secure it with the provided handle set attachments.

**Step 2.** Place the second half of the handle on top of the attachments and secure the bolts with an allen key.

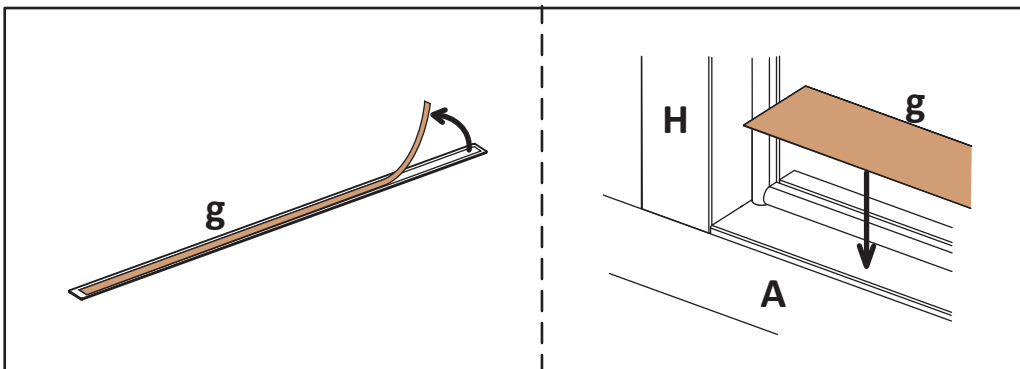
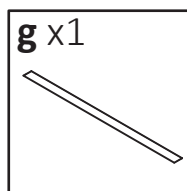


## 14. Door Threshold Assembly

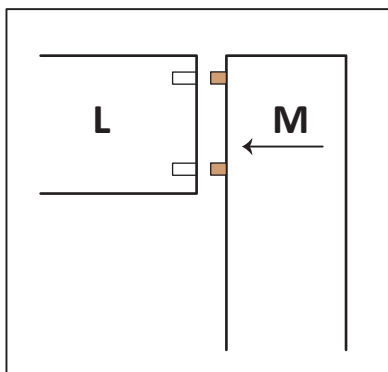
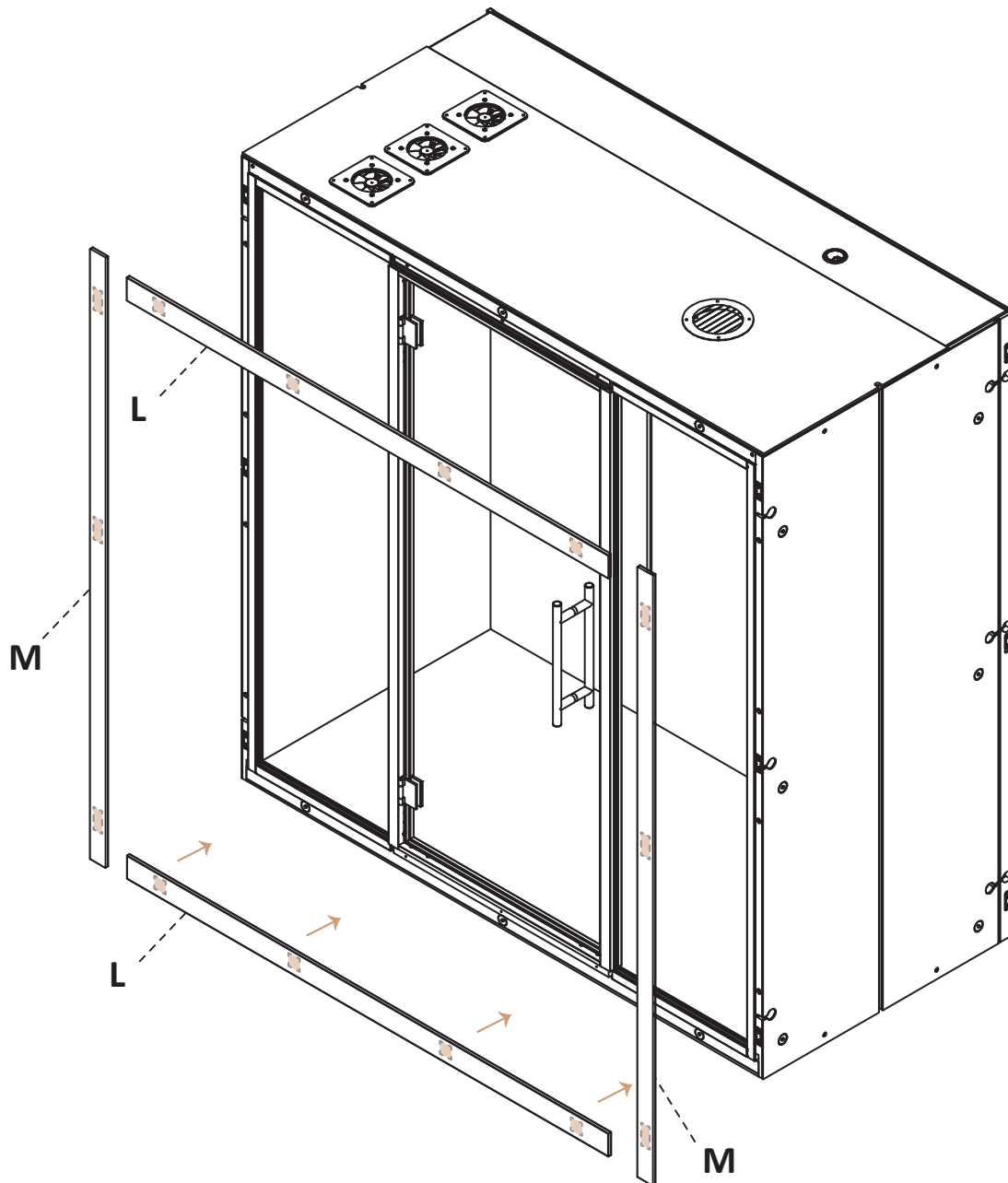


**Step 1.** Remove protection tape from decorative door threshold “g”

**Step 2.** Attach threshold with glue covered side to door frame (H).



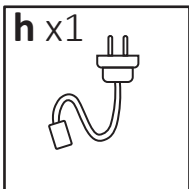
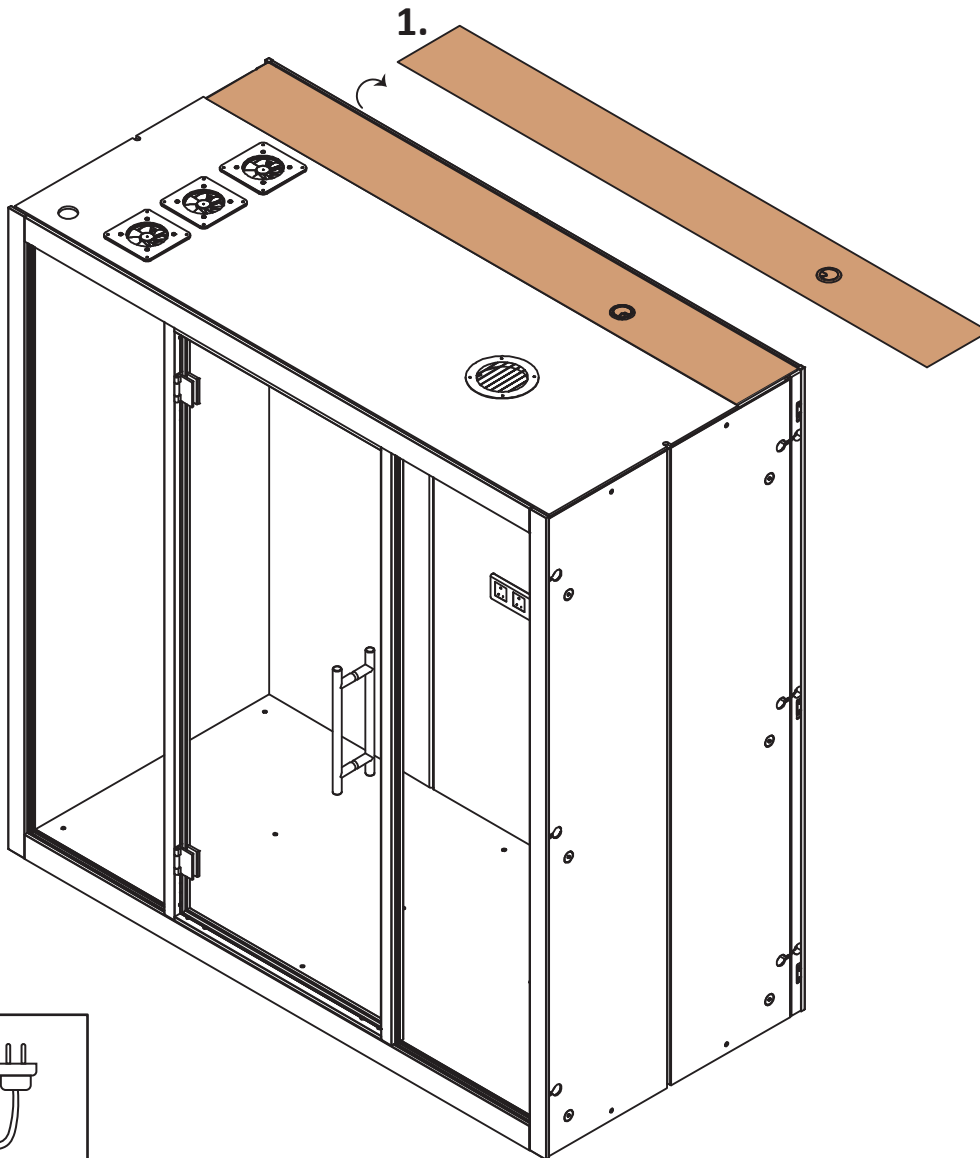
## 15. Covering Trim Assembly



Attach covering trims (L) on the floor module (A) and ceiling modules (C).

Attach covering trims (M) on the front/back side of side modules (B) and connect them with pins attached to trims (L)

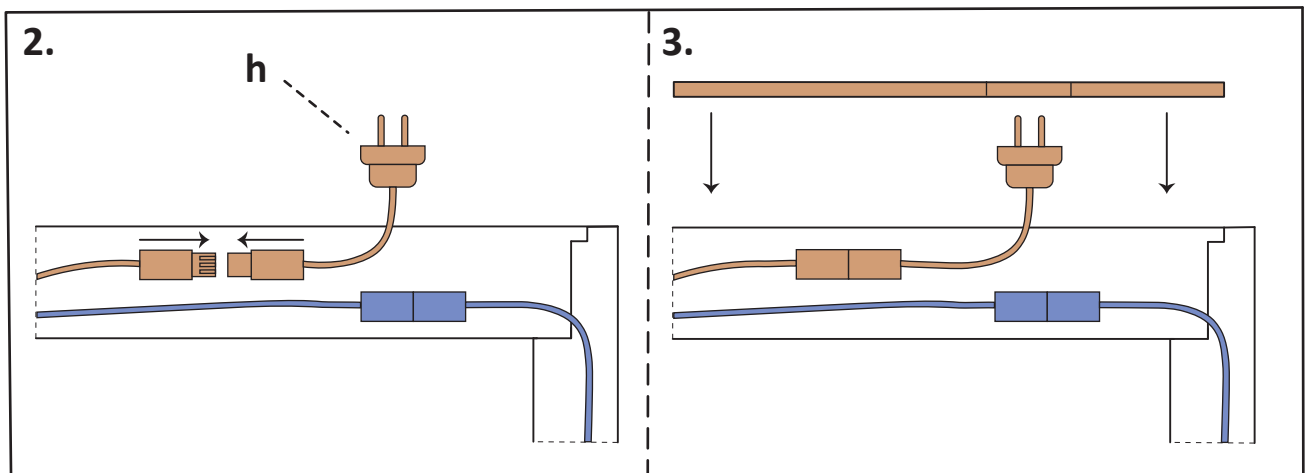
## 16. Connecting electrical fittings



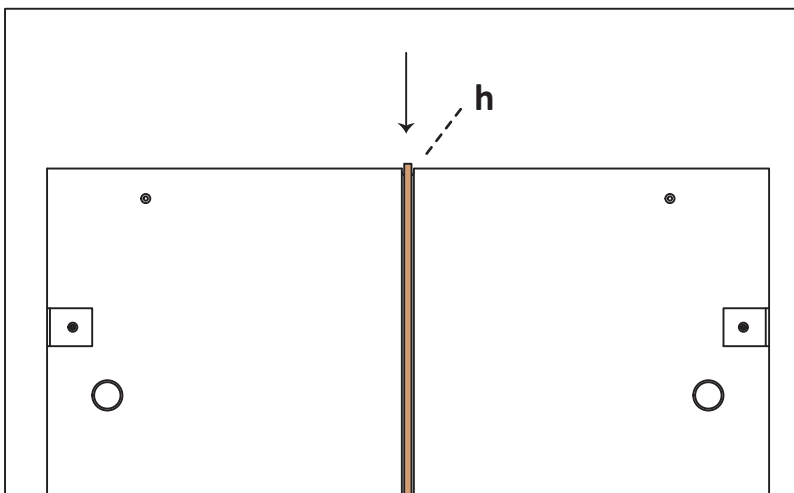
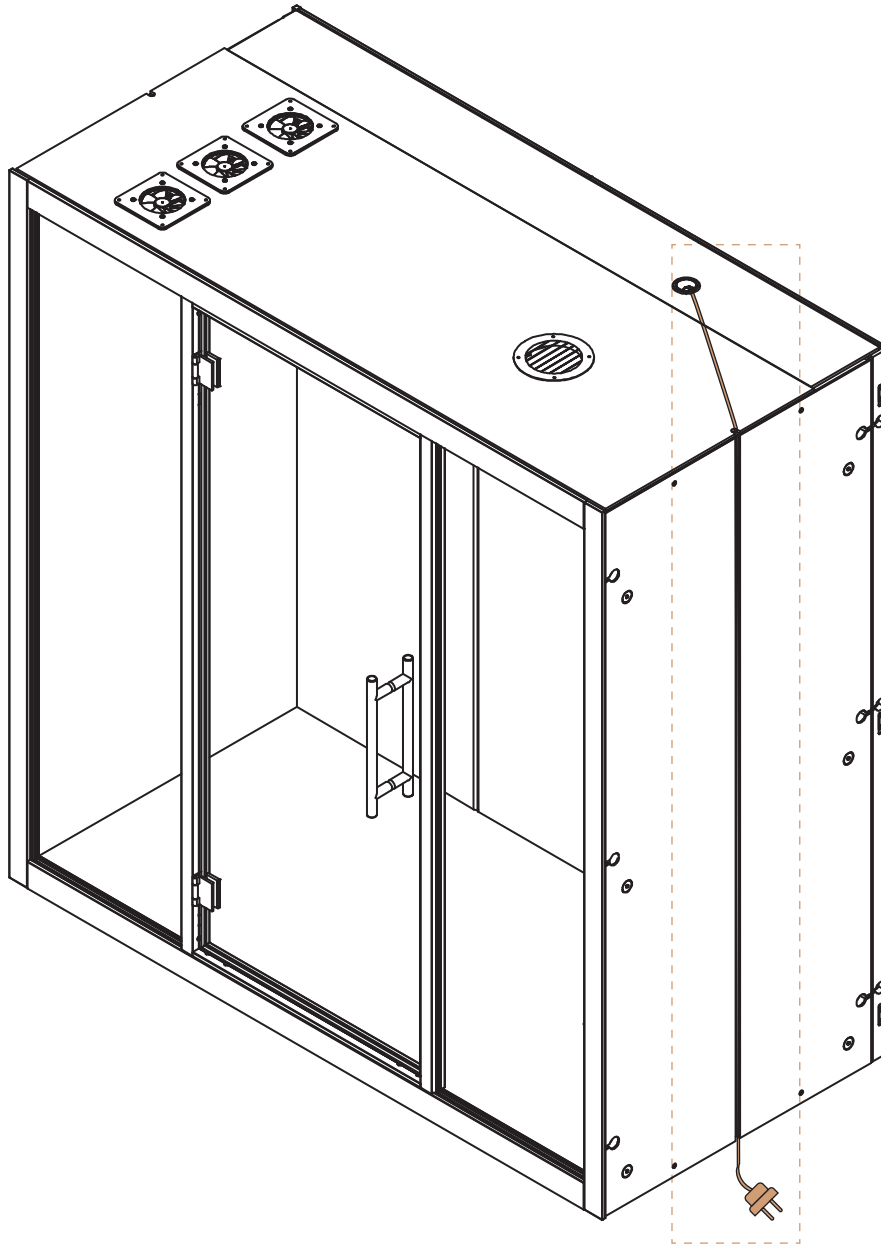
 - Powercord connection

 - Side panel (table socket) connection

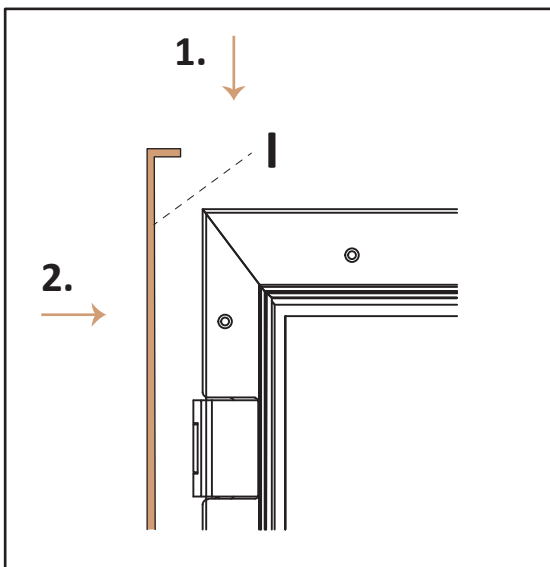
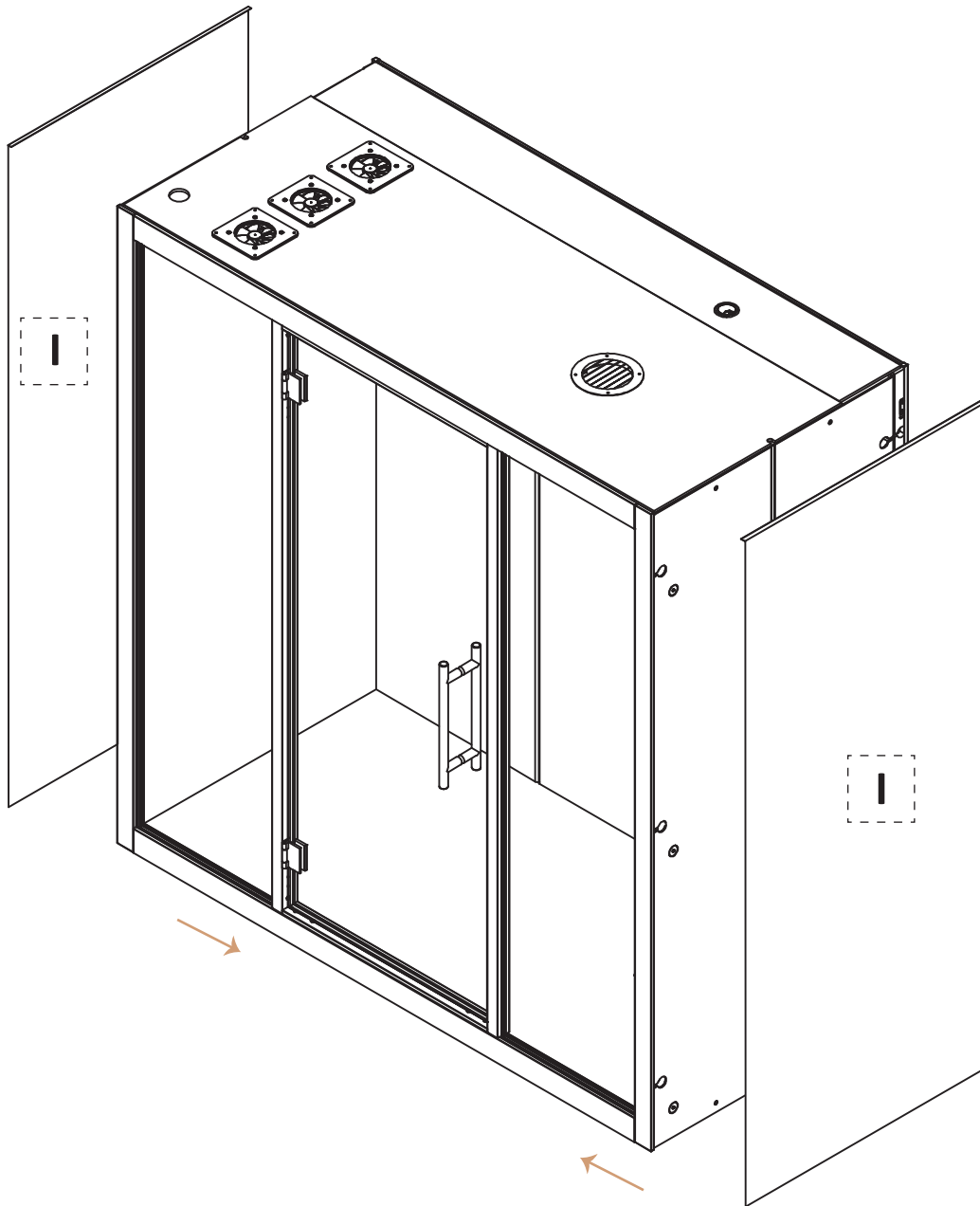
Remove the Cover plate from Ceiling module (C) to expose electrical fittings. Connect Power chord "h" and return Cover plate.



**Optional.** Power chord positioning

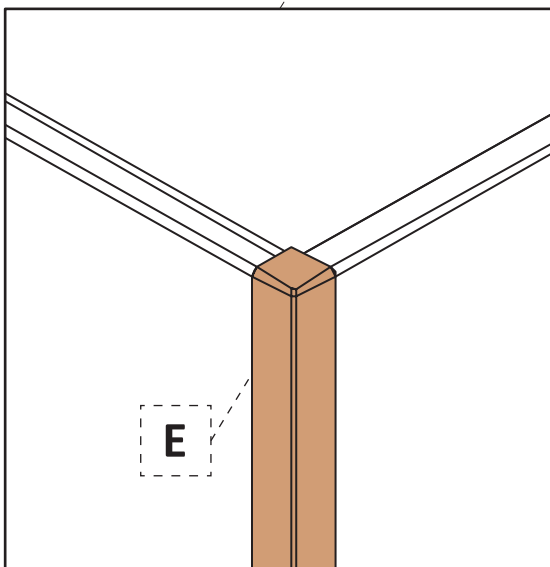
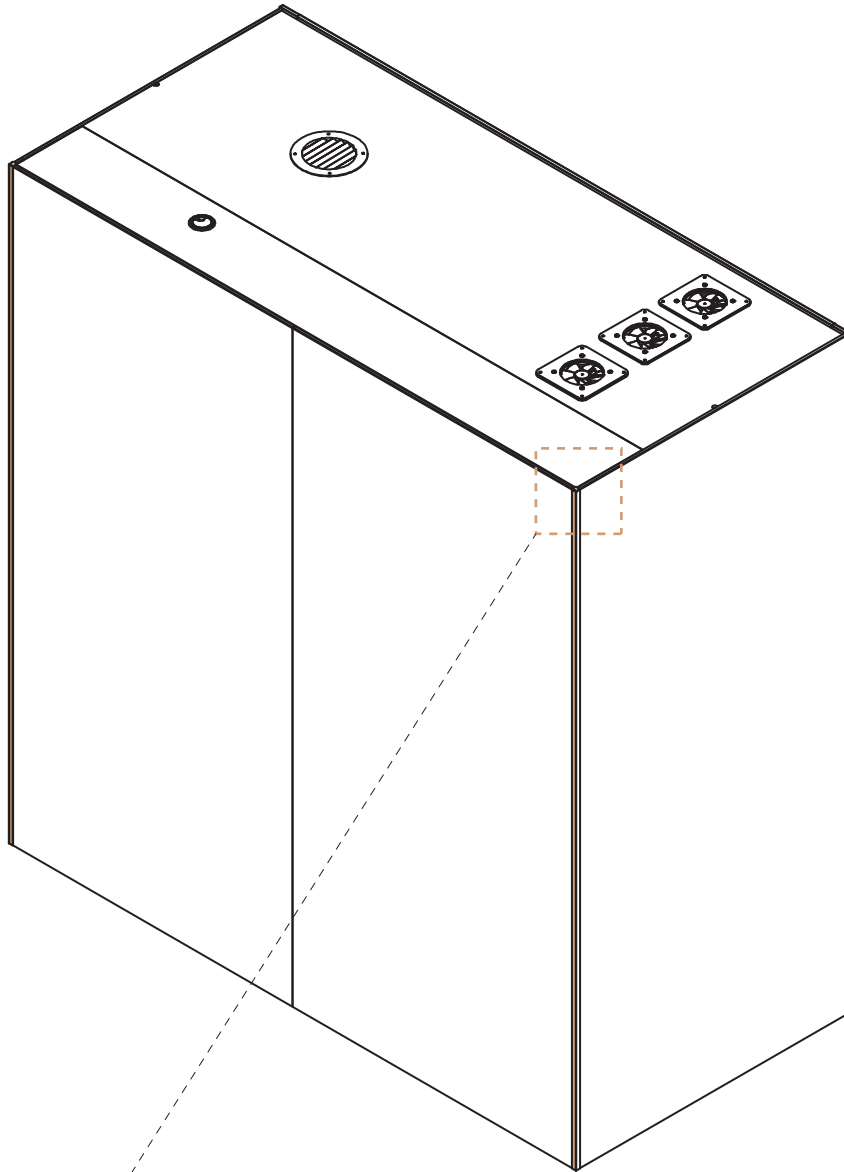


## 17. Covering plate Assembly



Attach the Covering plates (I) by placing them first on top of the Chatbox and then slowly let the magnets pull the side panel to it's place.

## 18. Corner plate Assembly



Attach the corner covers (E) by placing them on top of the Chatbox corners and then slowly let the magnets pull the covers in place.