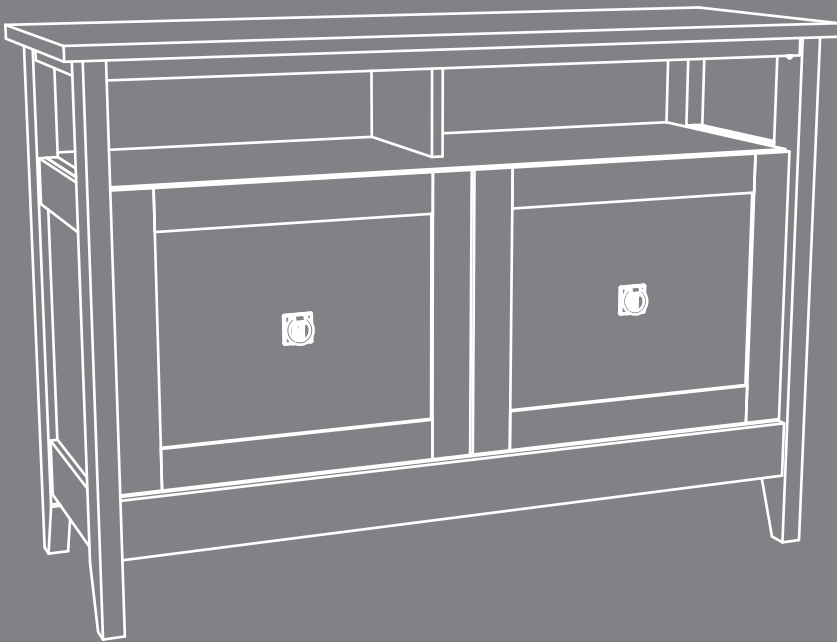


[www.teknikoffice.co.uk](http://www.teknikoffice.co.uk)

**Teknik**



Your **holder** for all  
**things** awesome.

# TV Stand

Home Study Collection | **Model 5426616**

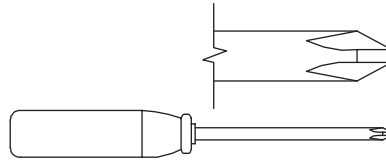
**NOTE:** THIS INSTRUCTION  
BOOKLET CONTAINS **IMPORTANT**  
SAFETY INFORMATION.

PLEASE READ AND KEEP FOR  
FUTURE REFERENCE.

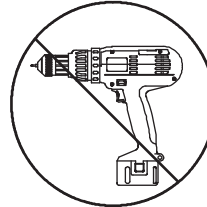
# Table of Contents

# Assembly Tools Required

|                         |       |
|-------------------------|-------|
| Part Identification     | 3     |
| Hardware Identification | 4-5   |
| Assembly Steps          | 6-26  |
| Français                | 27-29 |
| Español                 | 30-32 |
| Safety                  | 33-34 |
| Warranty                | 35    |



No. 2 Phillips Screwdriver  
Tip Shown Actual Size

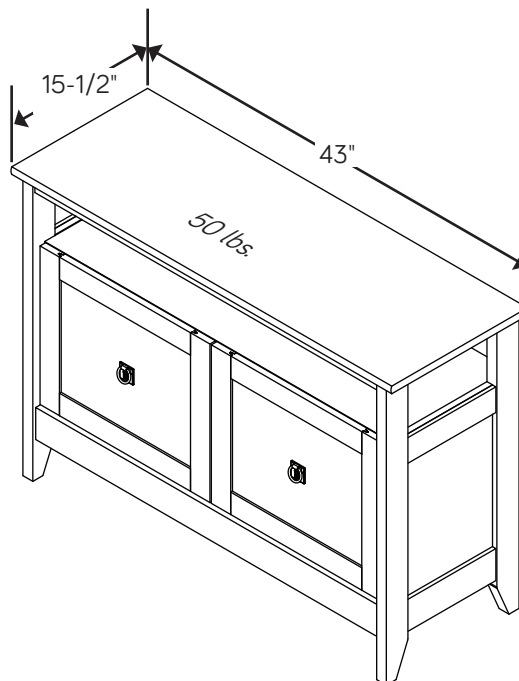


Skip the power trip.  
This time.

## ⚠ WARNING

Use of a TV that is too heavy or large is hazardous. A TV that is too heavy will create a risk of a tip-over that can cause severe injury or death. A TV that is too large for the available space might be accidentally pushed or bumped off the furniture, or subject to tip-over.

- Check the size and weight of your TV. Compare it to the diagram below – **before you begin assembly!**
- This Sauder unit is designed for use with flat panel televisions weighing less than 50 pounds. **Never** use with a TV that weighs more.
- The size of the television, front-to-back and side-to-side, must fit within the space defined in the diagram.
  - **Never** place the front edge of the TV past the front edge of the TV support shelf (or stop molding – if equipped)
  - **Never** allow the sides of the TV to extend past the side edges of the TV support surface.
- Be sure to apply the warning label as instructed later in assembly. The label provides important safety related information.



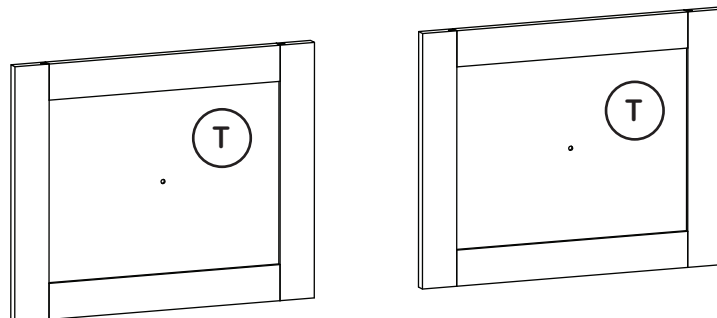
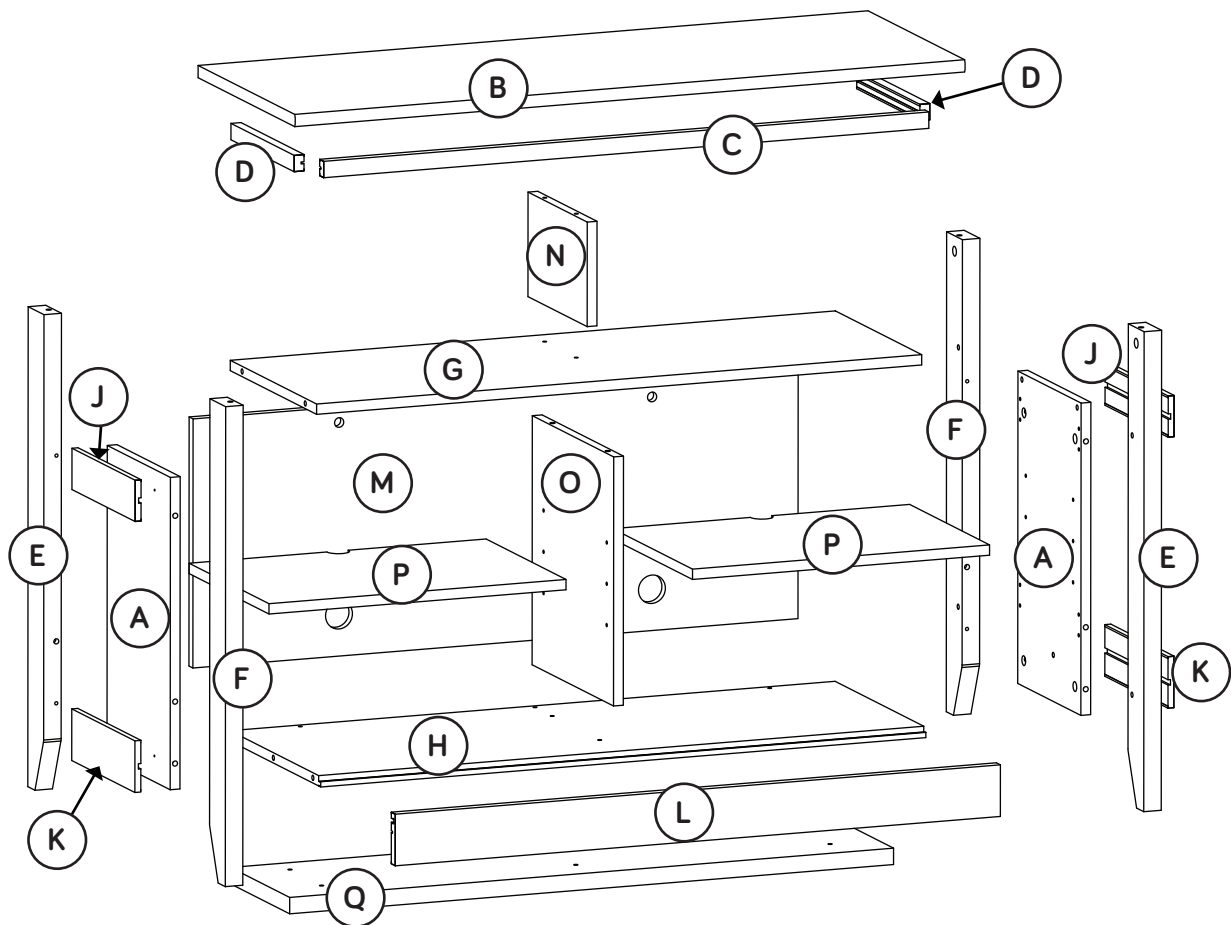
# Part Identification

Now you know  
our ABCs.



⚠ While not all parts are labeled, some of the parts will have a label or an inked letter on the edge to help distinguish similar parts from each other. Use this part identification to help identify similar parts.

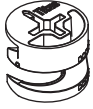
|   |                               |   |                       |   |                      |
|---|-------------------------------|---|-----------------------|---|----------------------|
| A | END (2)                       | G | FIXED SHELF (1)       | N | SMALL UPRIGHT (1)    |
| B | TOP (1)                       | H | BOTTOM (1)            | O | LARGE UPRIGHT (1)    |
| C | TOP FRONT MOLDING (1)         | J | UPPER END MOLDING (2) | P | ADJUSTABLE SHELF (2) |
| D | TOP SIDE MOLDING (2)          | K | LOWER END MOLDING (2) | Q | BALLAST (1)          |
| E | RIGHT FRONT/LEFT REAR LEG (2) | L | BOTTOM MOLDING (1)    | T | DOOR (2)             |
| F | LEFT FRONT/RIGHT REAR LEG (2) | M | BACK (1)              |   |                      |



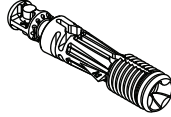
# Hardware Identification

↑ Screws are shown actual size. You may receive extra hardware with your unit.

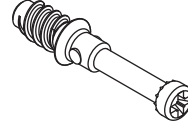
**1F** HIDDEN CAM - 24



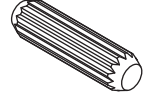
**2F** CAM DOWEL - 16



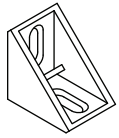
**8F** CAM SCREW - 8



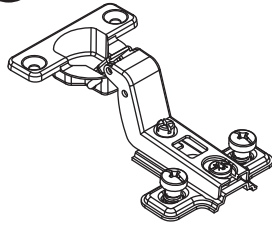
**15F** WOOD DOWEL - 6



**27G** ANGLE BRACKET - 8



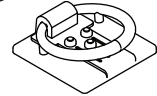
**14H** HINGE - 4



**10I** WASHER - 2



**22K** PULL - 2

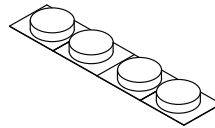


**1L** WARNING LABEL - 1

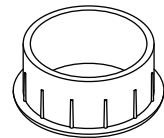


(Refer to the last step for proper location and application)

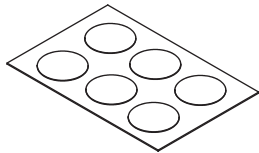
**1M** FELT DISC CARD - 1



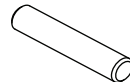
**10P** GROMMET - 2



**100P** APPLIQUE CARD - 4



**1R** METAL PIN - 10



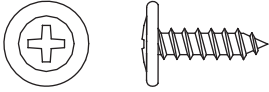
**2R** RUBBER SLEEVE - 8



# Hardware Identification

† Screws are shown actual size. You may receive extra hardware with your unit.

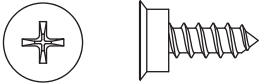
**1S** BLACK 9/16" LARGE HEAD SCREW - 16



**11S** BLACK 1/2" FLAT HEAD SCREW - 8



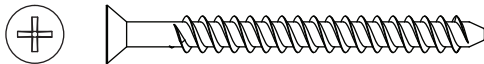
**32S** BLACK 9/16" FLAT HEAD SCREW - 8



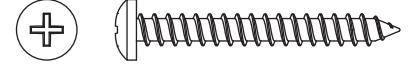
**61S** SILVER 1/4" MACHINE SCREW - 2



**113S** BLACK 1-15/16" FLAT HEAD SCREW - 7

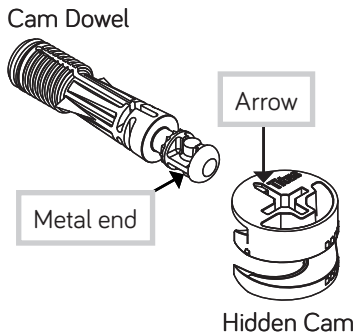


**118S** BLACK 1-3/8" PAN HEAD SCREW - 6



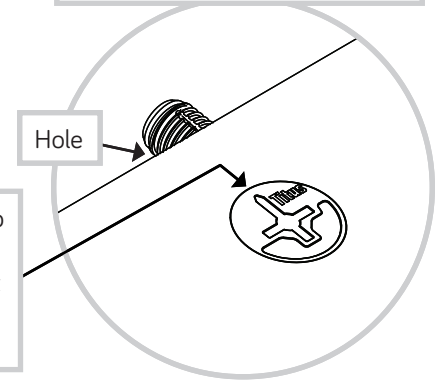
# Hardware Usage Guide

## HOW TO USE A HIDDEN CAM & CAM DOWEL



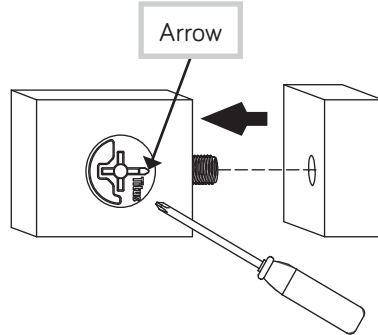
2. Insert the metal end of the CAM DOWEL into the HIDDEN CAM.

1. Push a HIDDEN CAM into the part. The arrow in the HIDDEN CAM must point toward the hole in the edge of the board.



3. **Caution**  
 Risk of damage or injury. HIDDEN CAMS must be completely tightened. HIDDEN CAMS that are not completely tightened may loosen, and parts may separate. To completely tighten:

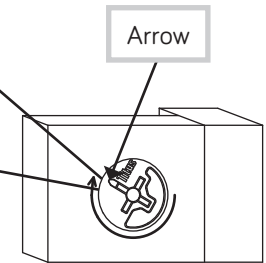
Start



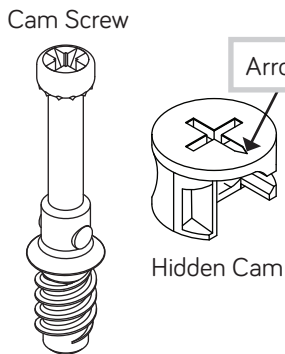
Tighten

Maximum 210 degrees

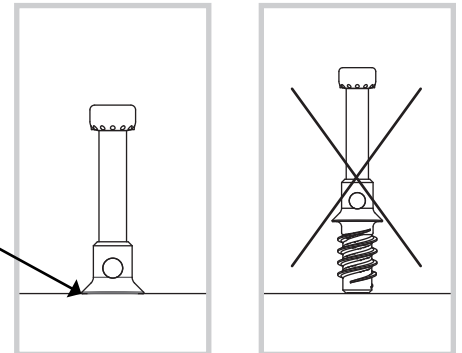
Minimum 190 degrees



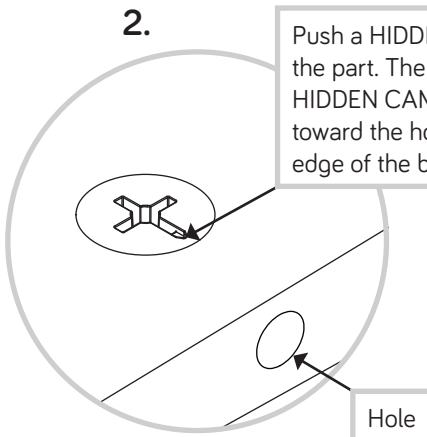
## HOW TO USE A HIDDEN CAM & CAM SCREW



1. Turn the CAM SCREW until the shoulder is against the surface of the part.

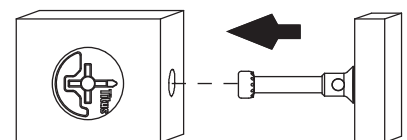


2. Push a HIDDEN CAM into the part. The arrow in the HIDDEN CAM must point toward the hole in the edge of the board.

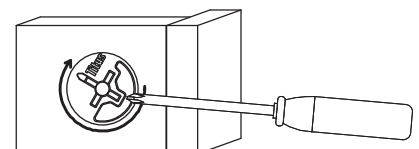


3. Insert the CAM SCREW into the HIDDEN CAM. Tighten the HIDDEN CAM.

1

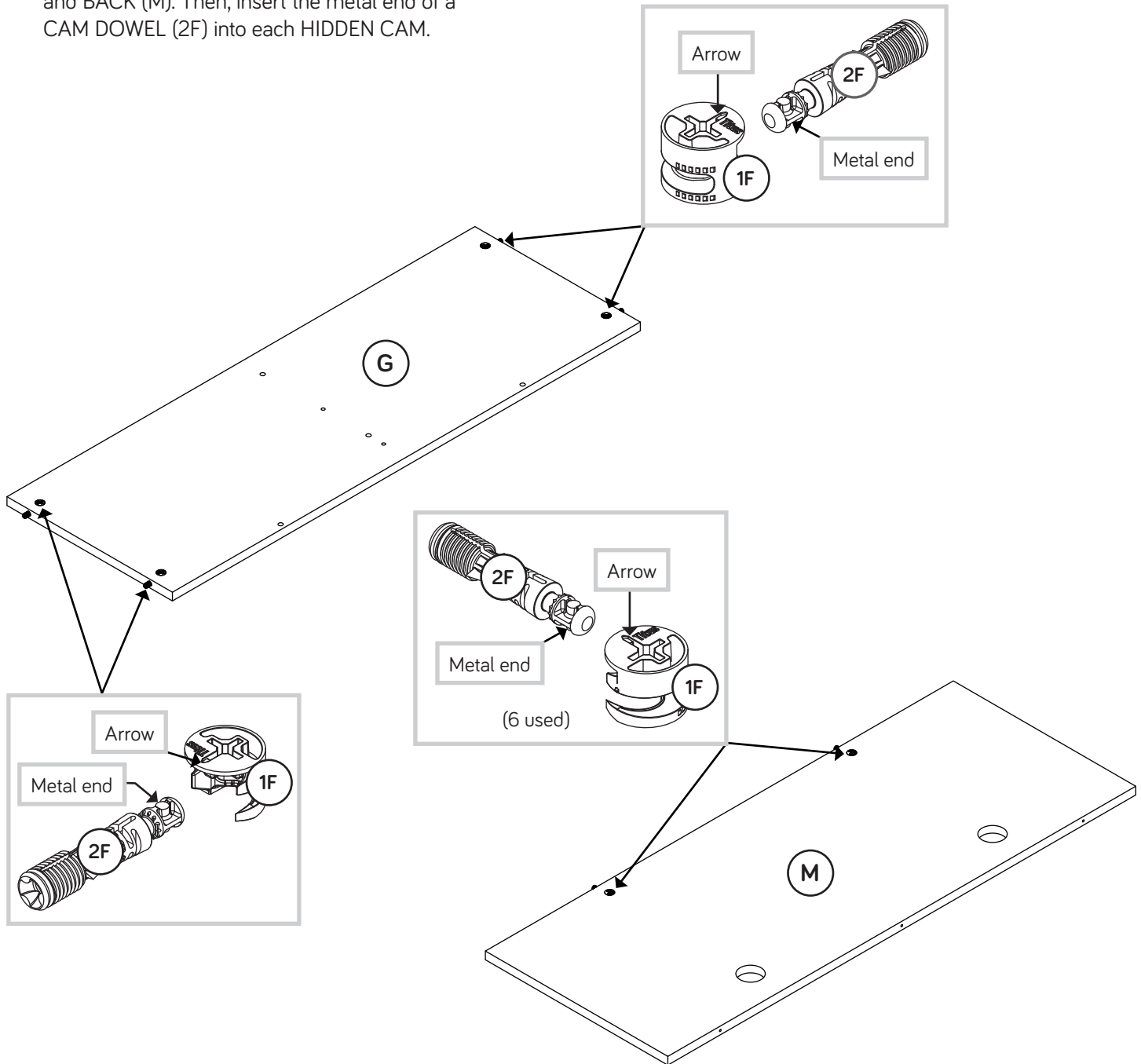


2



# Step 1

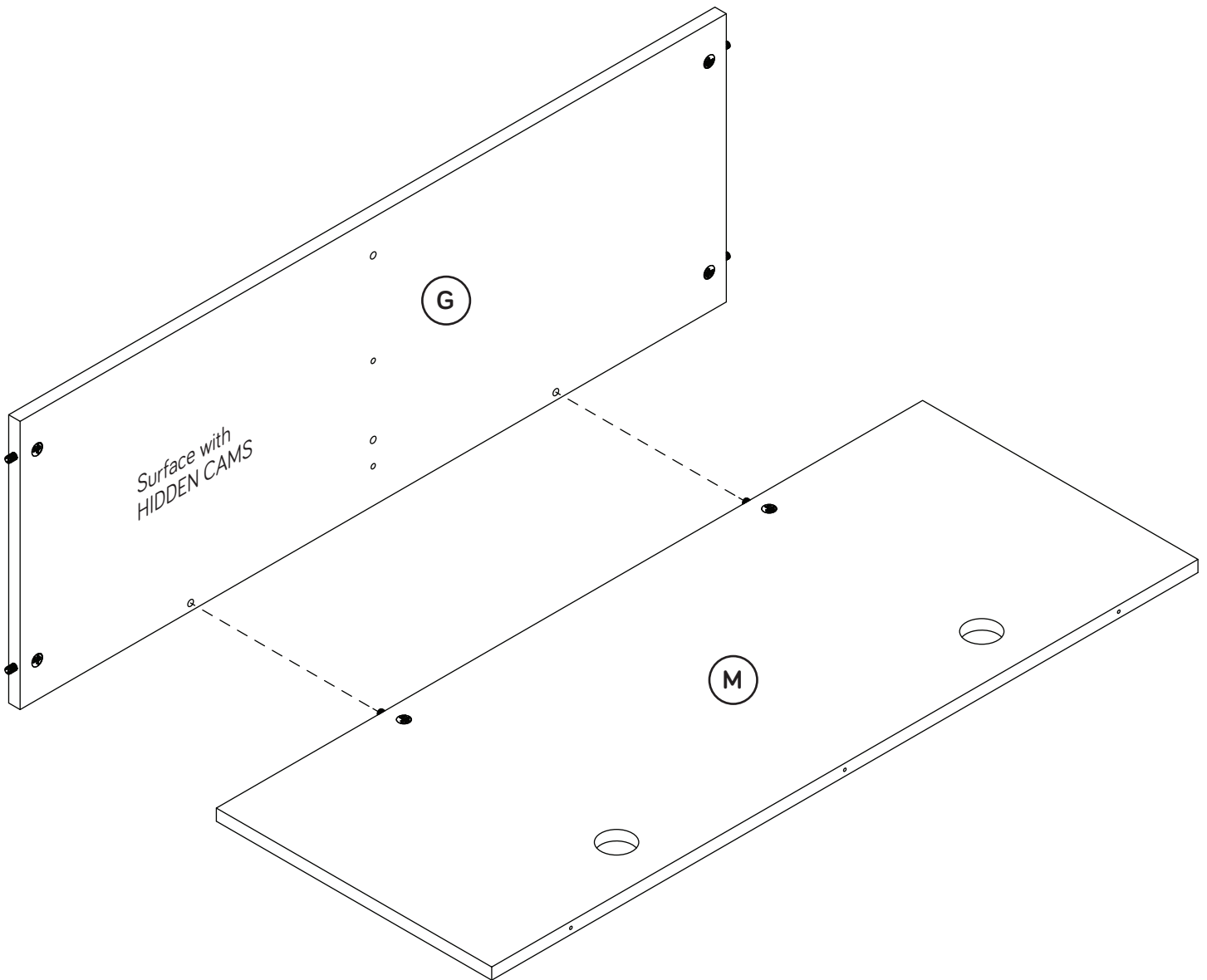
- ✚ Assemble your unit on a carpeted floor or on the empty carton to avoid scratching your unit or the floor.
- ✚ Push six HIDDEN CAMS (1F) into the FIXED SHELF (G) and BACK (M). Then, insert the metal end of a CAM DOWEL (2F) into each HIDDEN CAM.



Do not tighten the HIDDEN CAMS in this step.

# Step 2

- Fasten the FIXED SHELF (G) to the BACK (M). Tighten two HIDDEN CAMS.



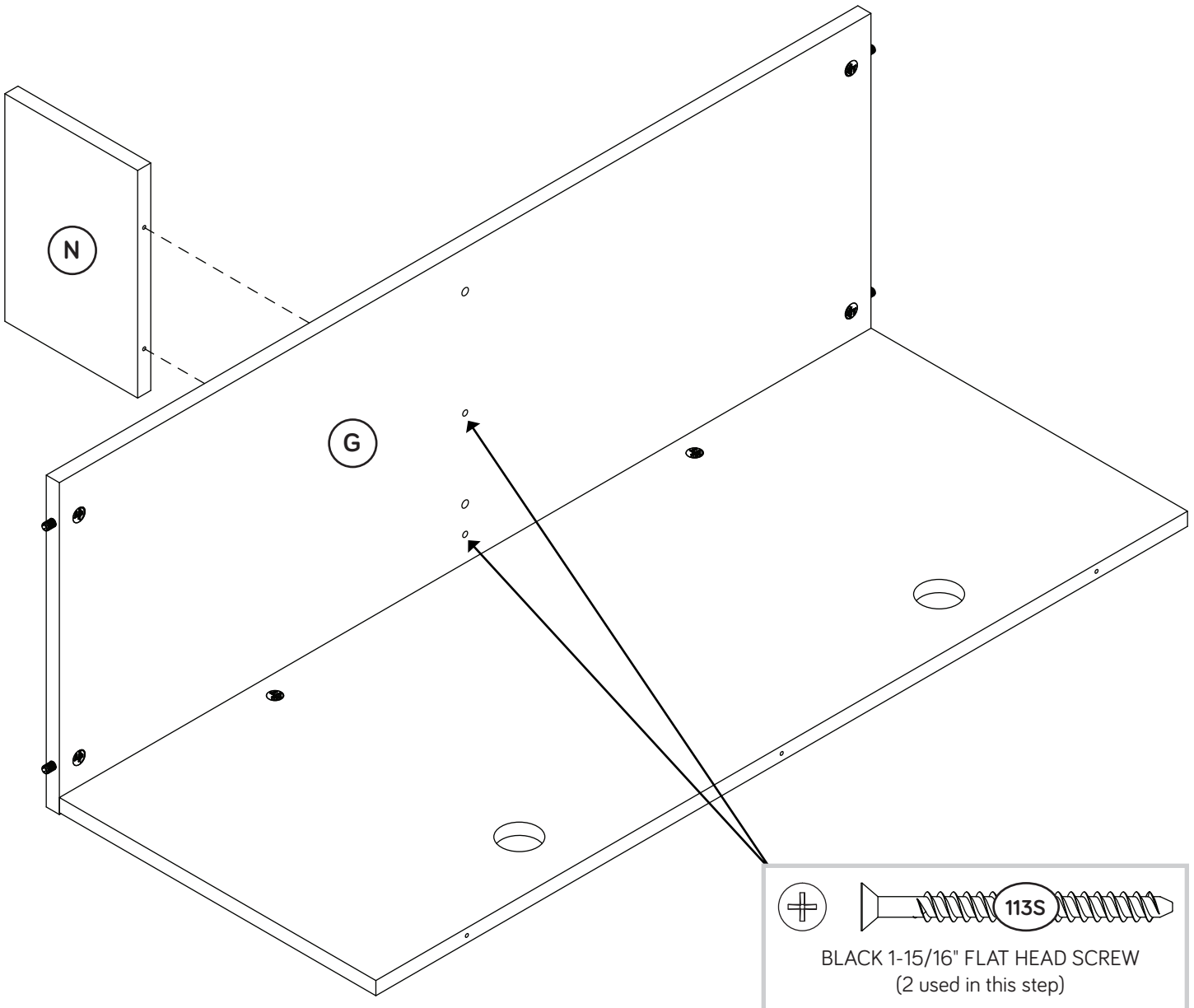


# Step 3

- Fasten the SMALL UPRIGHT (N) to the FIXED SHELF (G).  
Use two BLACK 1-15/16" FLAT HEAD SCREWS (113S).

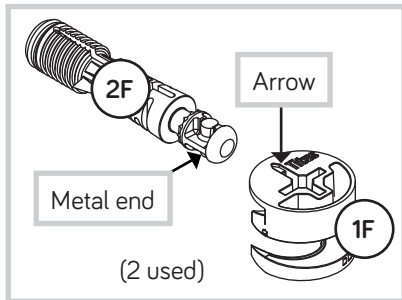


Some assembly  
(and snacks) required.

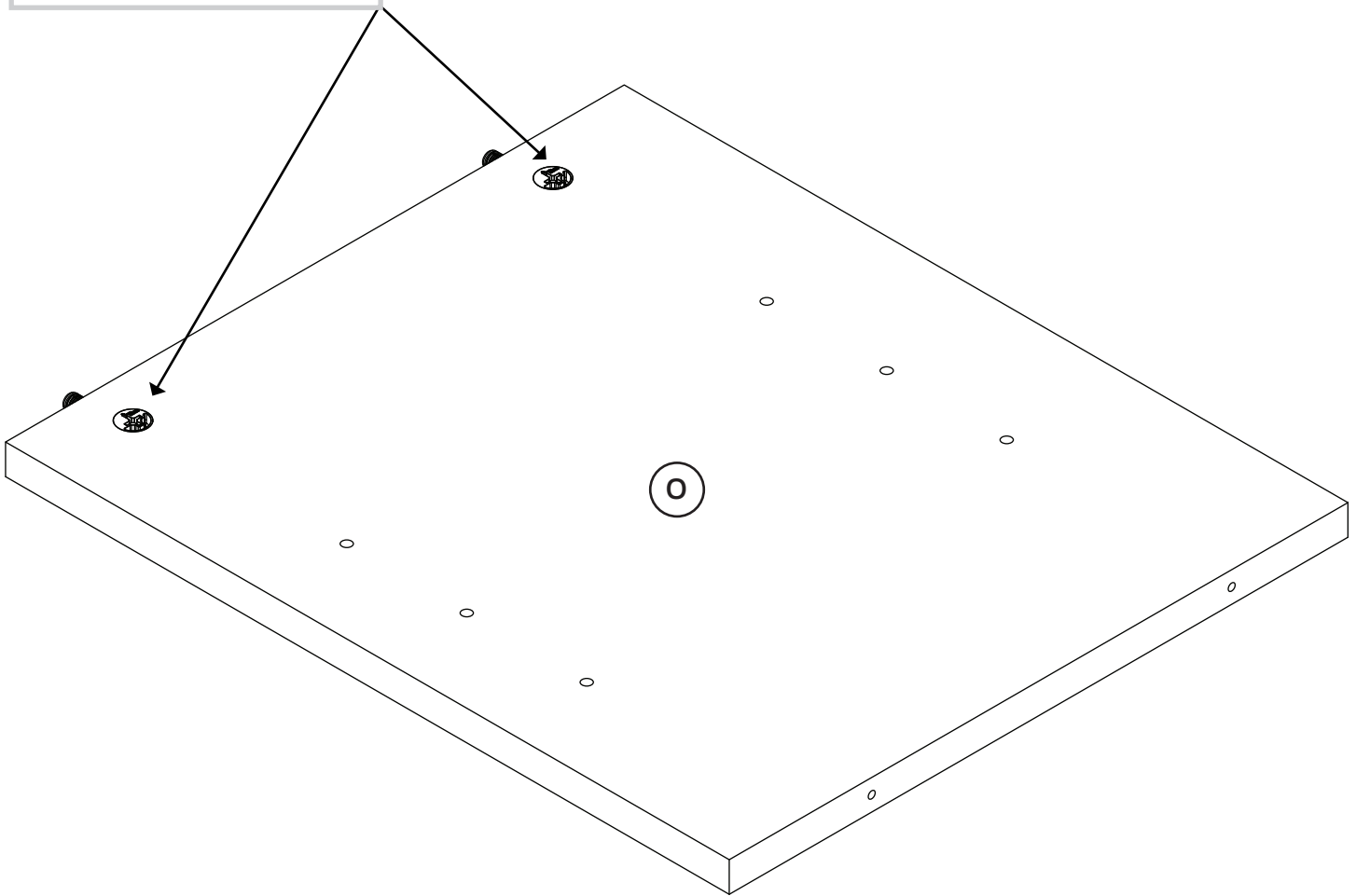


# Step 4

- Push two HIDDEN CAMS (1F) into the LARGE UPRIGHT (O). Then, insert the metal end of a CAM DOWEL (2F) into each HIDDEN CAM.

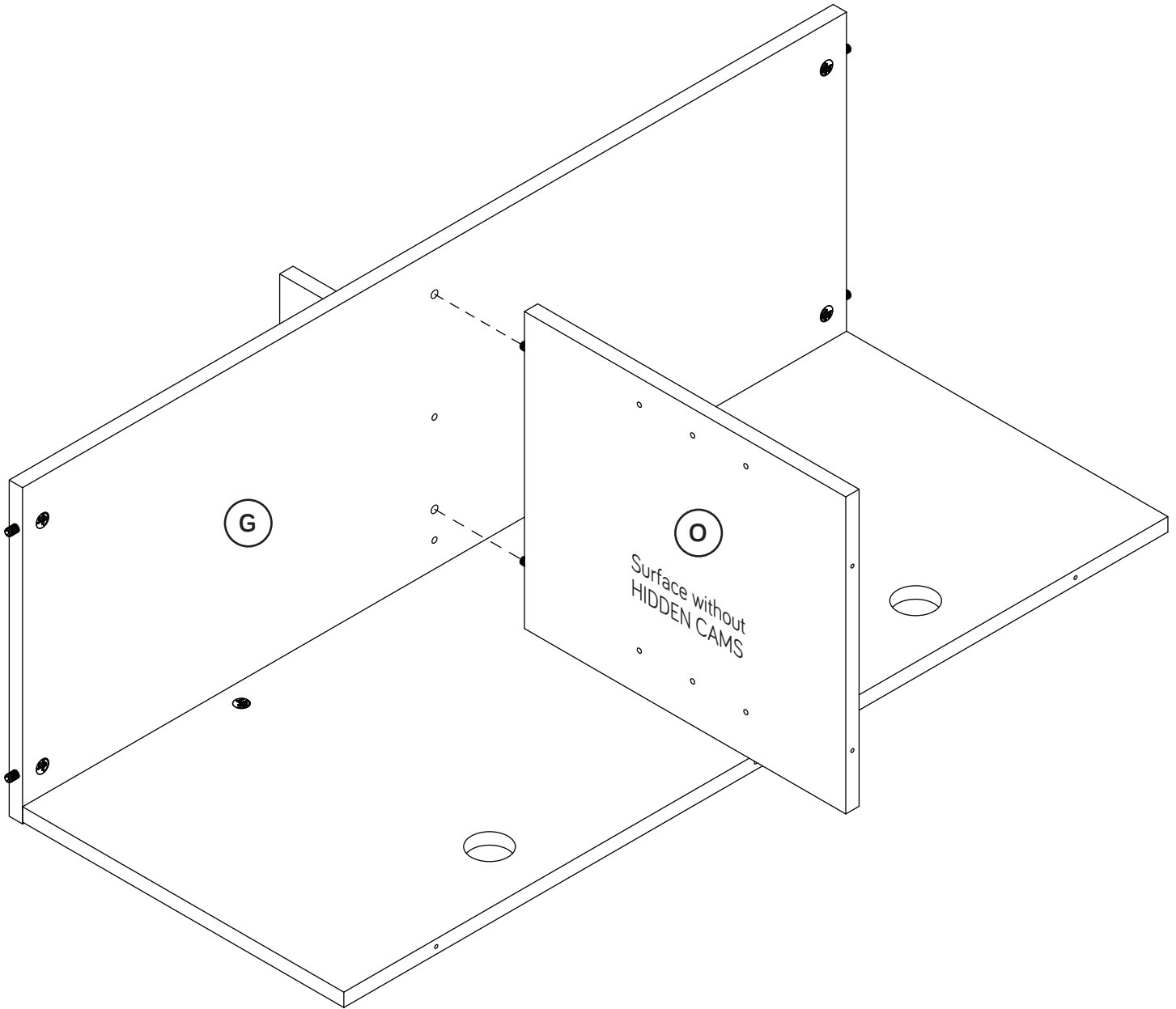


Do not tighten the HIDDEN CAMS in this step.



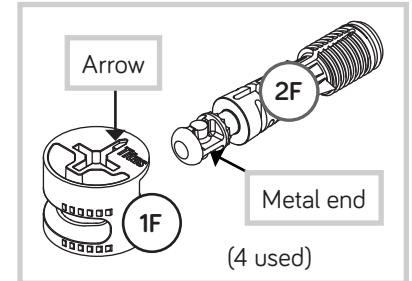
# Step 5

- Fasten the LARGE UPRIGHT (O) to the FIXED SHELF (G).  
Tighten two HIDDEN CAMS.

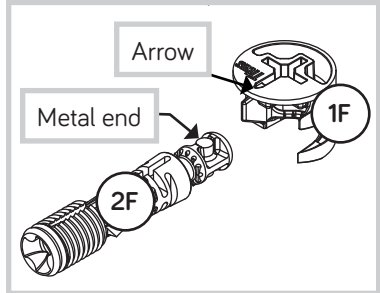
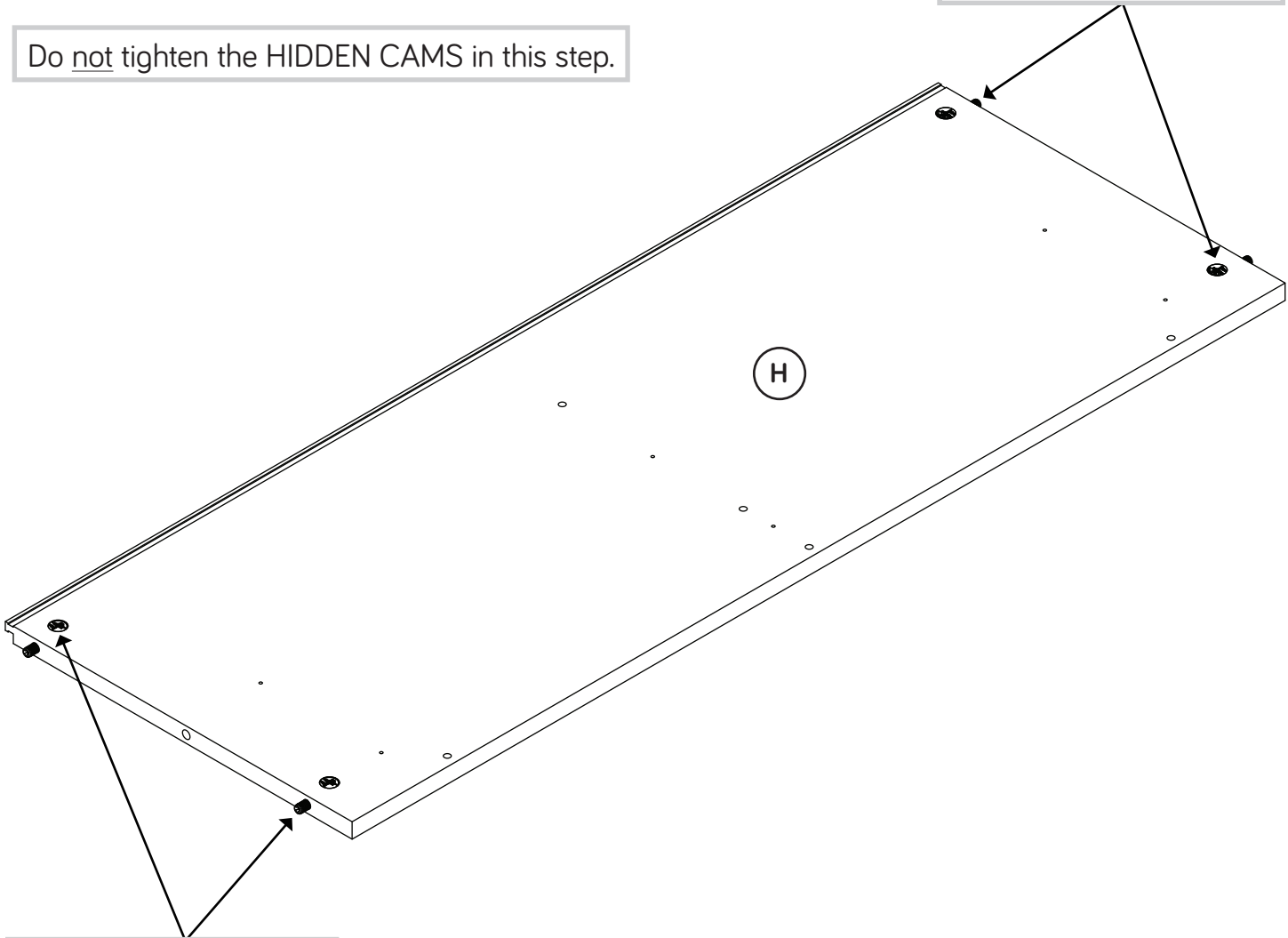


# Step 6

- Push four HIDDEN CAMS (1F) into the BOTTOM (H).  
Then, insert the metal end of a CAM DOWEL (2F) into each HIDDEN CAM.

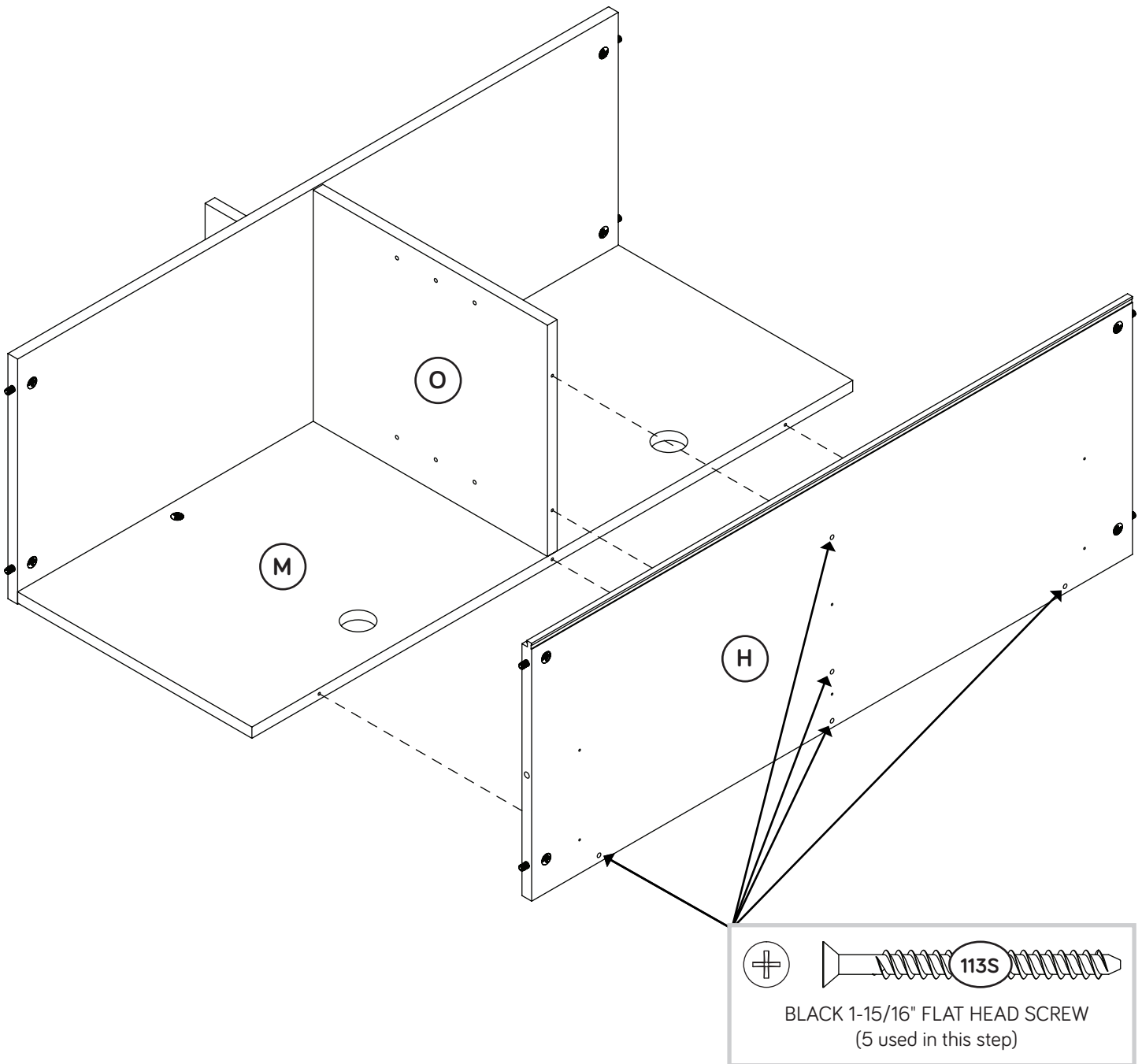


Do not tighten the HIDDEN CAMS in this step.



# Step 7

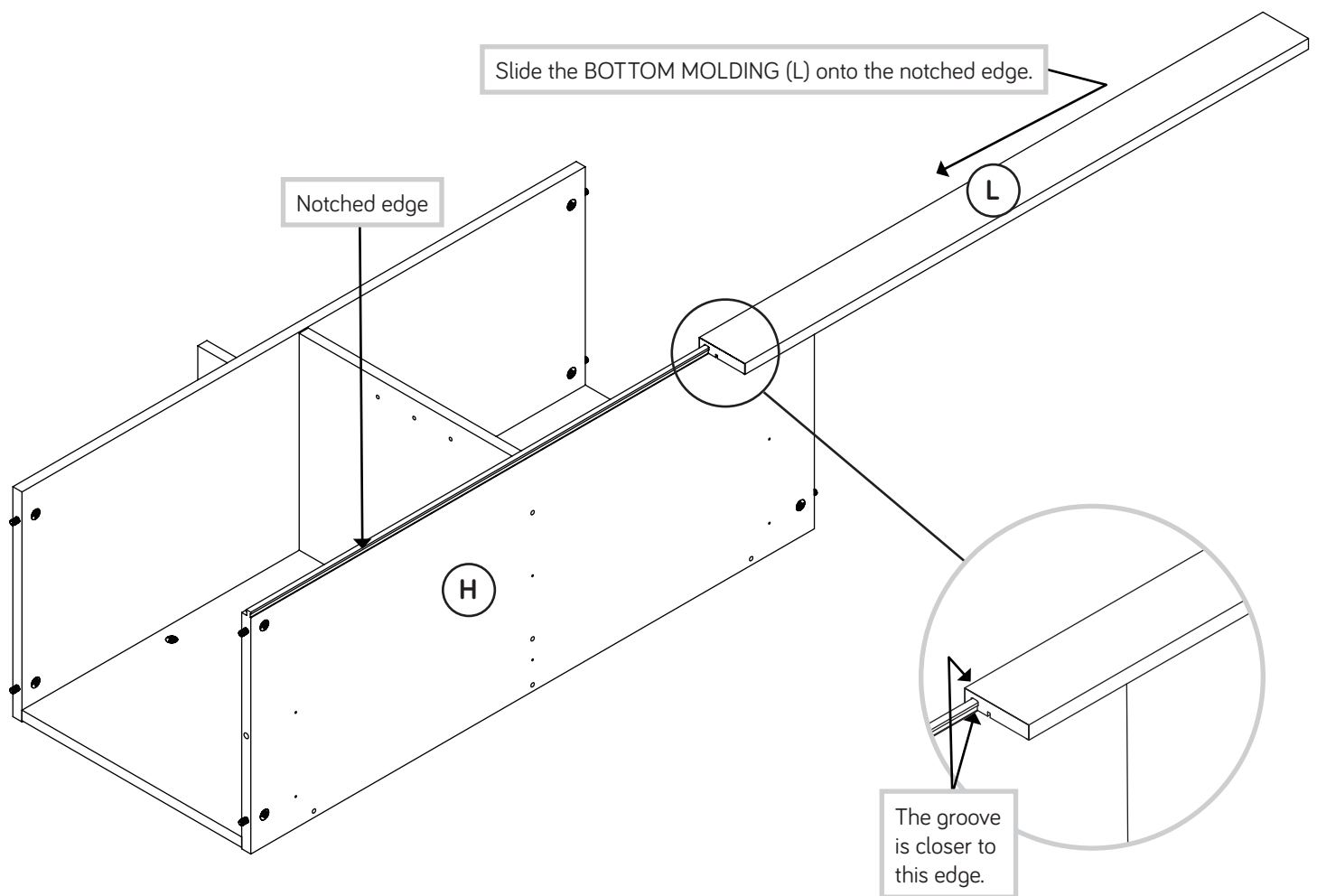
- Fasten the BOTTOM (H) to the BACK (M) and LARGE UPRIGHT (O).  
Use five BLACK 1-15/16" FLAT HEAD SCREWS (113S).



# Step 8

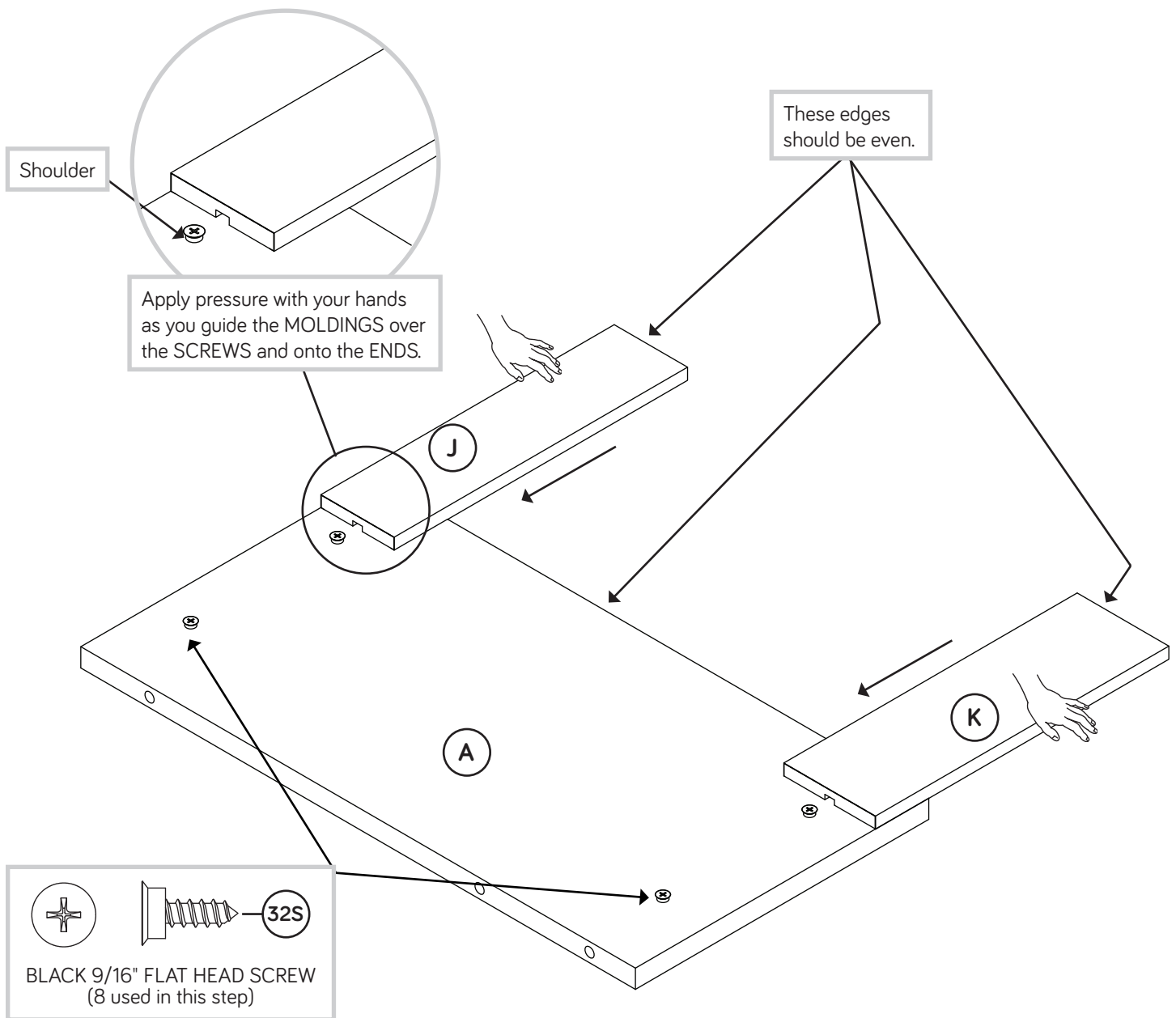
Slide a BOTTOM MOLDING\* (L) onto the notched edge of a BOTTOM (H).

\*U.S. Patent No. 5,499,886



# Step 9

- ✚ Turn four BLACK 9/16" FLAT HEAD SCREWS (32S) into the END (A) until the shoulders of the SCREWS rest on the surfaces of the END.
- ✚ **NOTE:** Do not overtighten the SCREWS.
- ✚ Slide the MOLDINGS (J and K) onto the END (A). Line up the grooves in the MOLDINGS over the heads of the SCREWS in the END.
- ✚ **NOTE:** If the MOLDING comes up off of the SCREWS, remove it and slide it on again.
- ✚ Repeat this step for the remaining END.



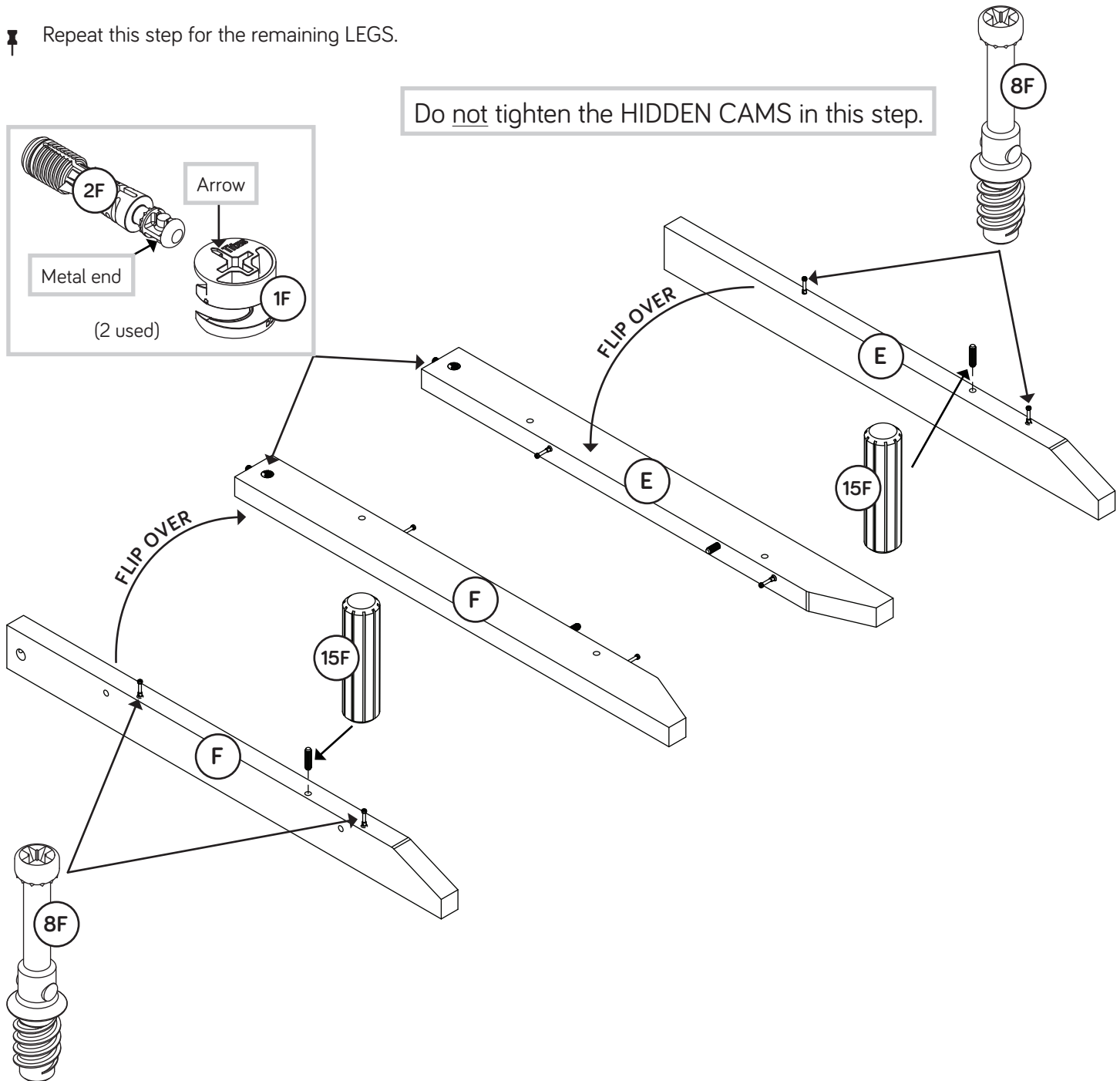
# Step 10

- ✚ Insert two WOOD DOWELS (15F) into the LEGS (E and F).
- ✚ Turn four CAM SCREWS (8F) into the LEGS (E and F).
- ✚ Flip the LEGS over as shown
- ✚ Push two HIDDEN CAMS (1F) into the LEGS (E and F). Then, insert the metal end of a CAM DOWEL (2F) into each HIDDEN CAM.
- ✚ Repeat this step for the remaining LEGS.



Now might be a good time to refresh your drink.

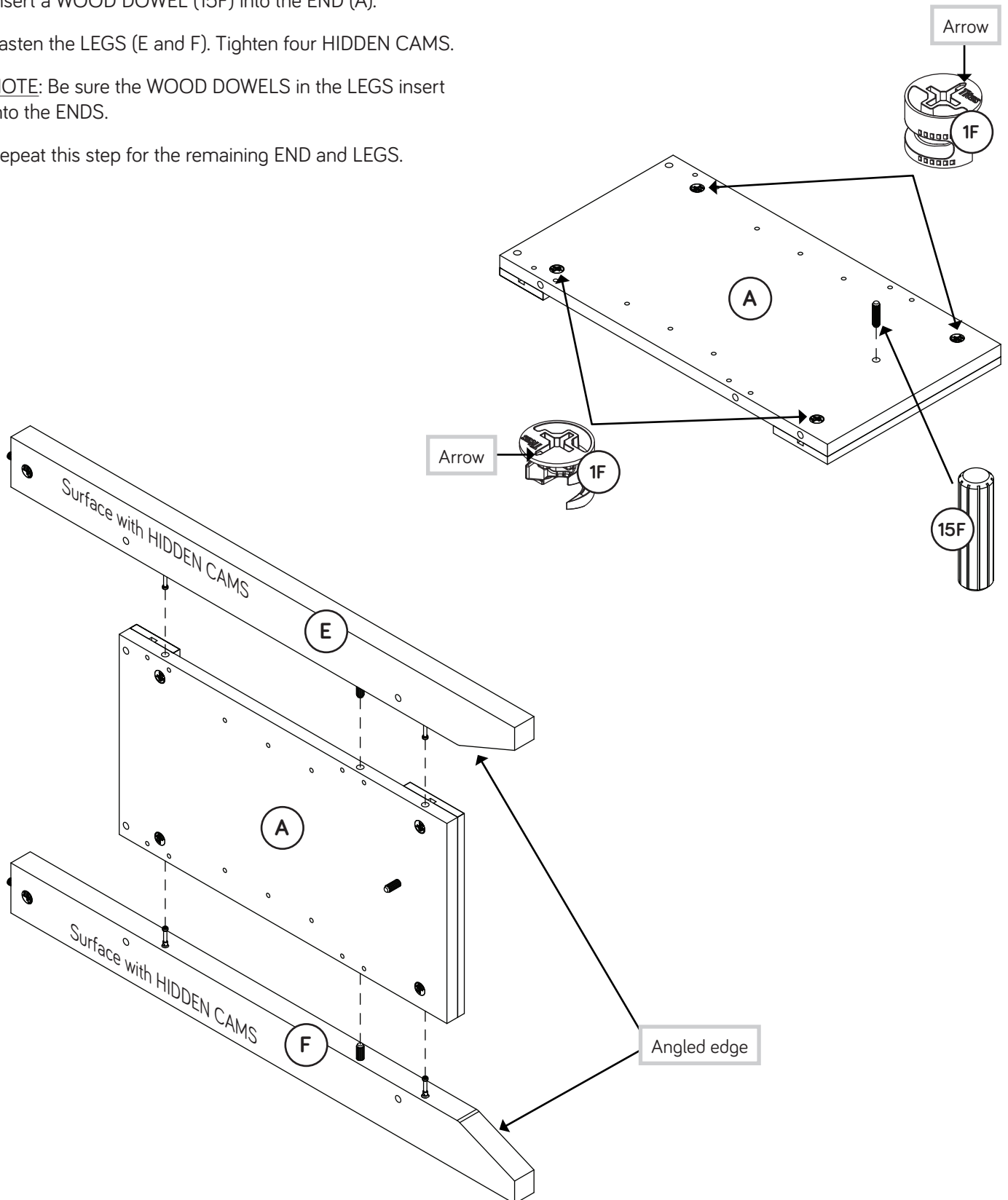
Do not tighten the HIDDEN CAMS in this step.





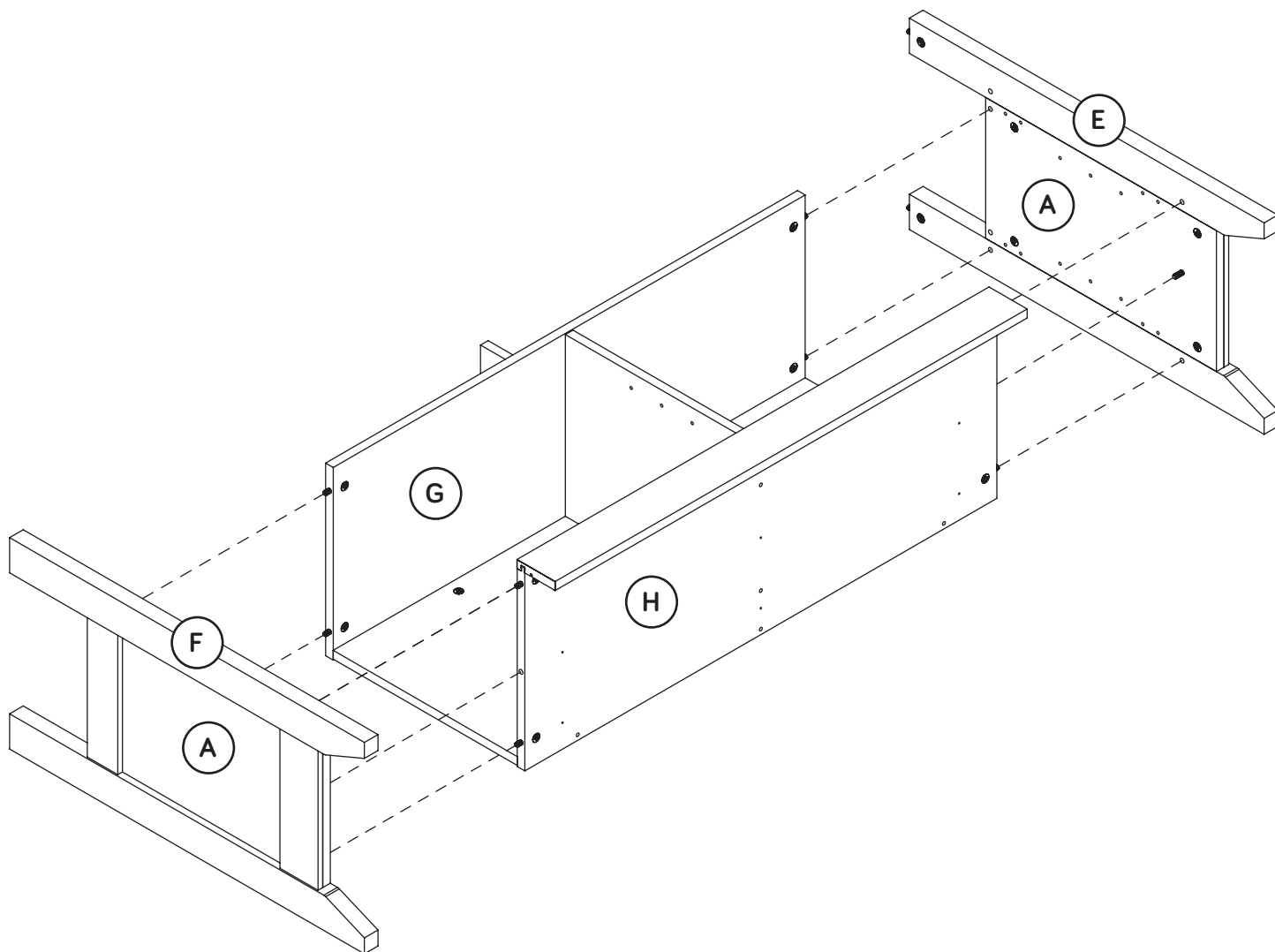
# Step 11

- ✚ Push four HIDDEN CAMS (1F) into the END (A).
- ✚ Insert a WOOD DOWEL (15F) into the END (A).
- ✚ Fasten the LEGS (E and F). Tighten four HIDDEN CAMS.
- ✚ **NOTE:** Be sure the WOOD DOWELS in the LEGS insert into the ENDS.
- ✚ Repeat this step for the remaining END and LEGS.



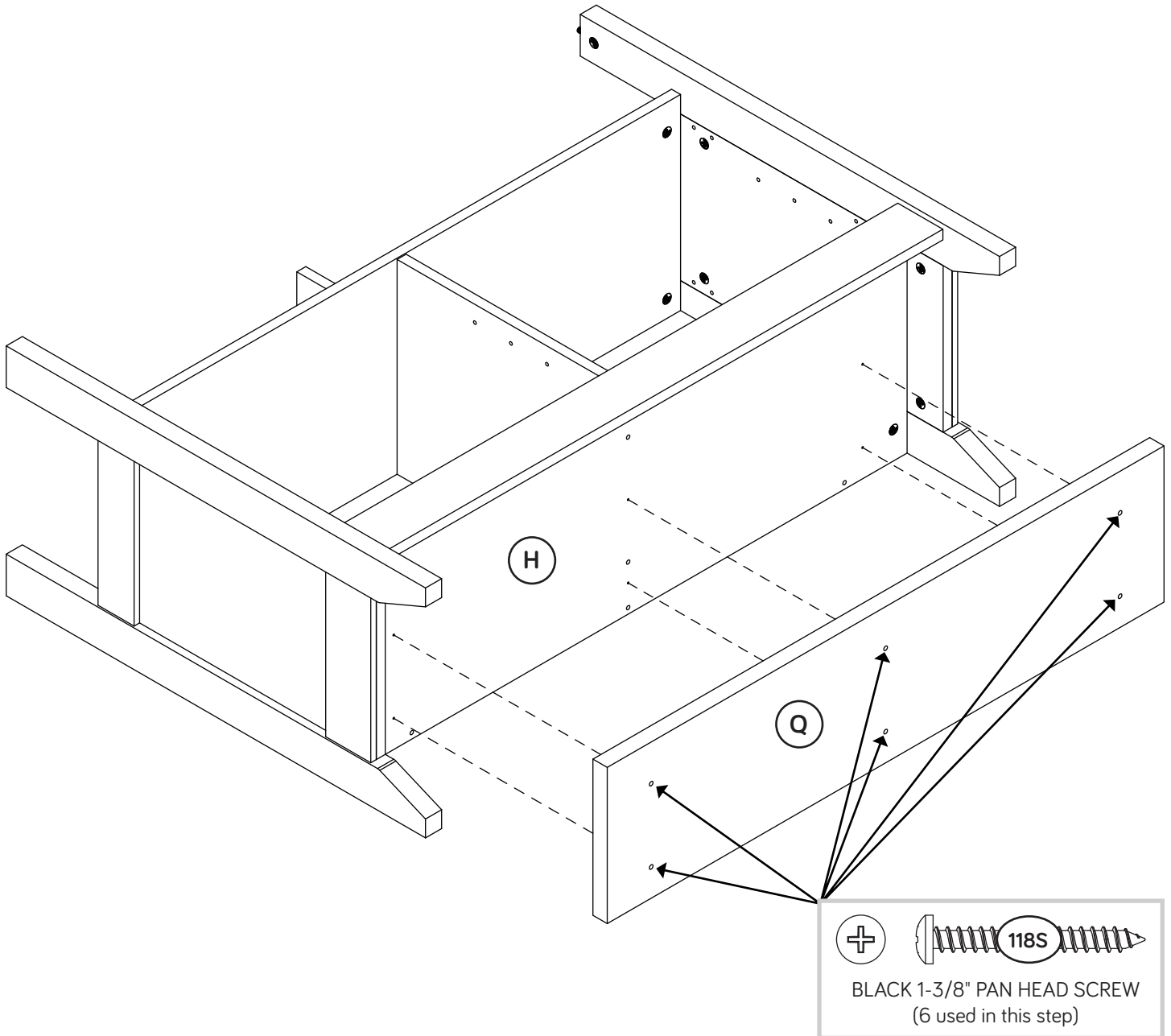
# Step 12

- Fasten the ENDS (A) to the FIXED SHELF (F), and BOTTOM (H). Tighten eight HIDDEN CAMS.
- NOTE:** Be sure the WOOD DOWELS in the ENDS insert into the BOTTOM.



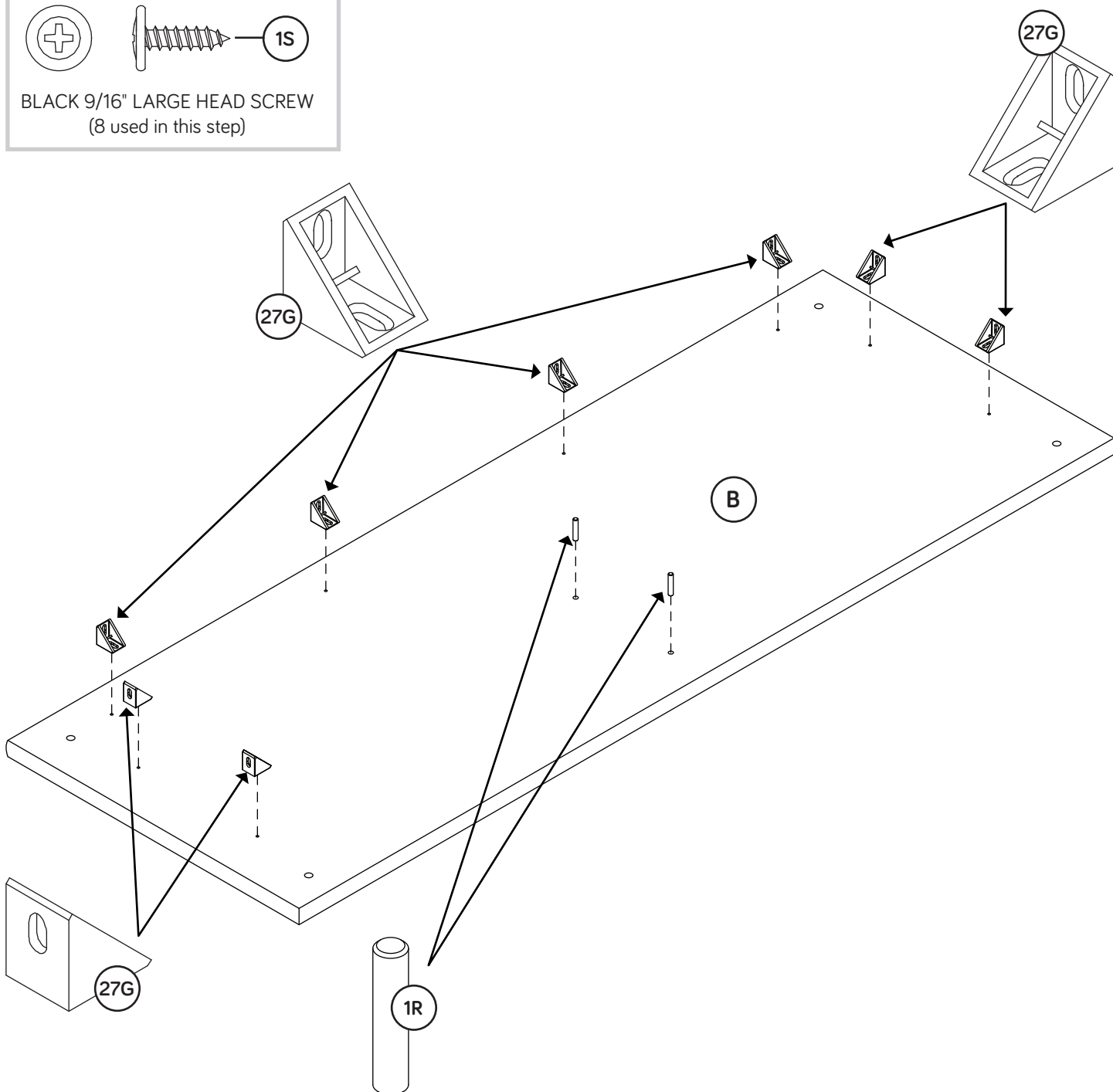
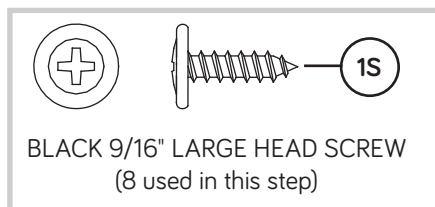
# Step 13

- Fasten the BALLAST (Q) to the BOTTOM (H). Use six BLACK 1-3/8" PAN HEAD SCREWS (118S).



# Step 14

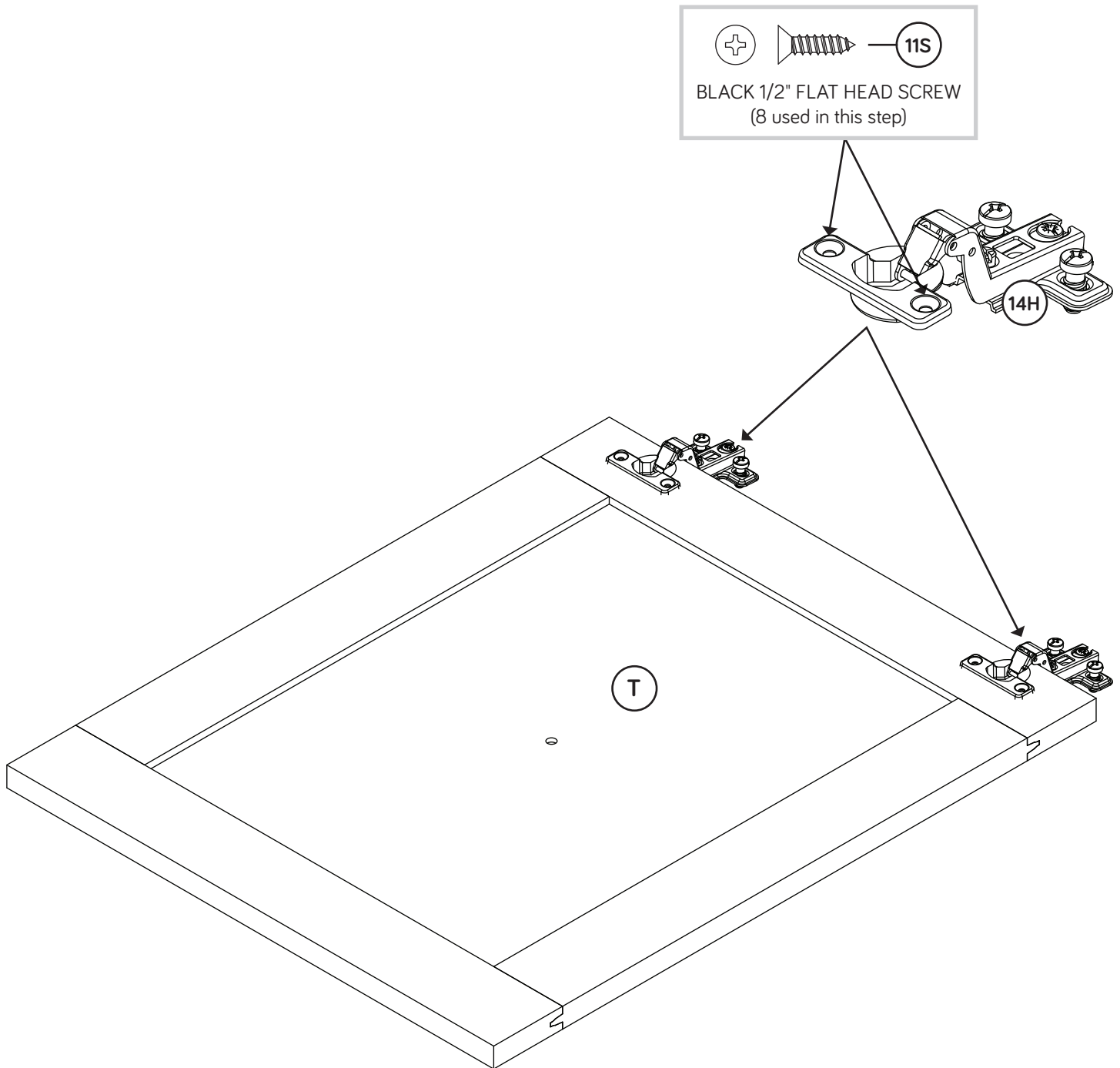
- Fasten eight ANGLE BRACKETS (27G) to the TOP (B). Use eight BLACK 9/16" LARGE HEAD SCREWS (1S) through the center of the ANGLE BRACKET hole.
- Push two METAL PINS (1R) into the TOP (B).





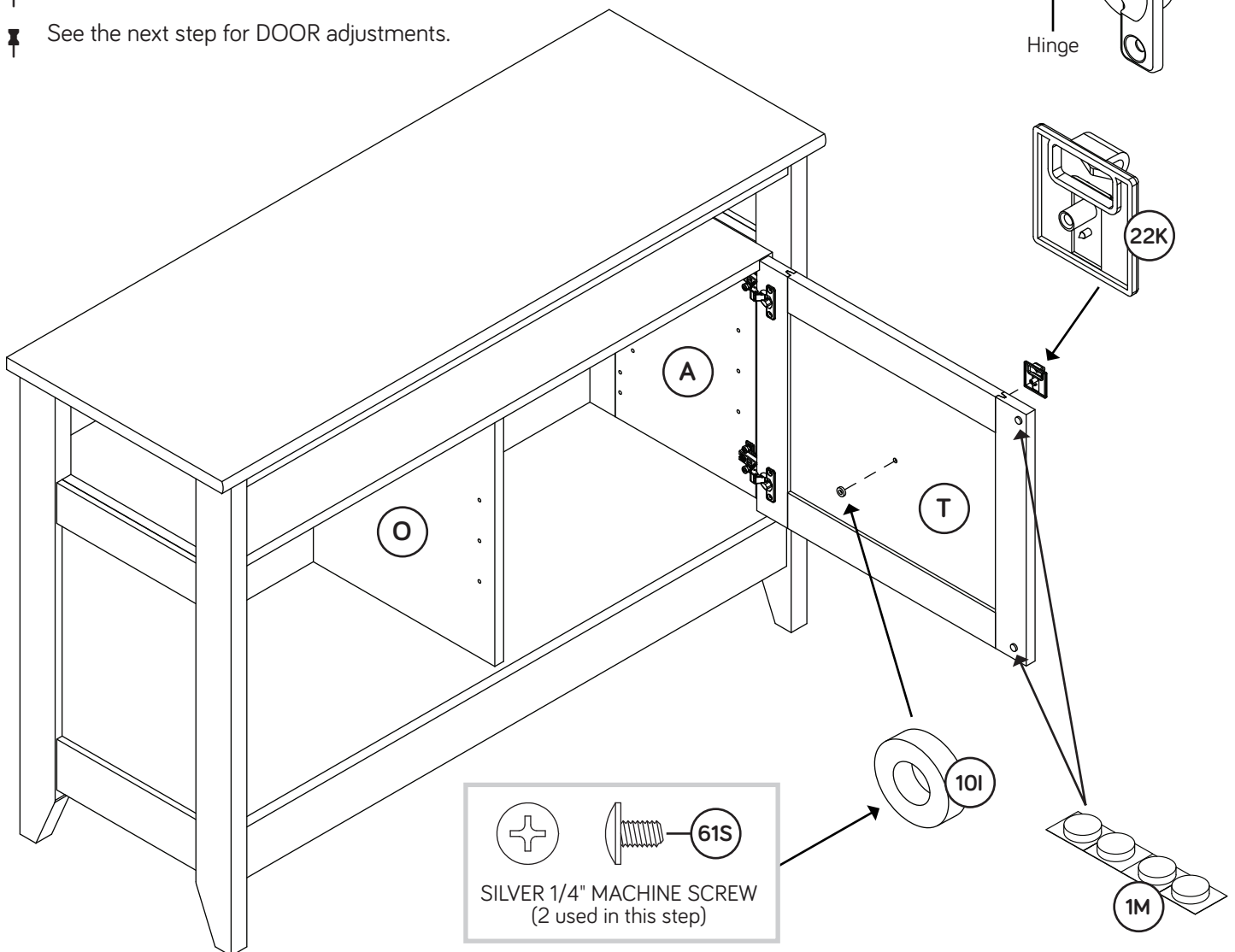
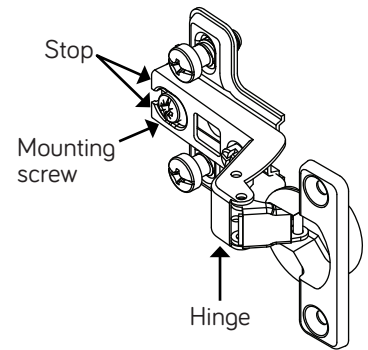
# Step 16

- Fasten two HINGES (14H) to one of the DOORS (T). Use four BLACK 1/2" FLAT HEAD SCREWS (11S).
- Repeat this step for the remaining door.



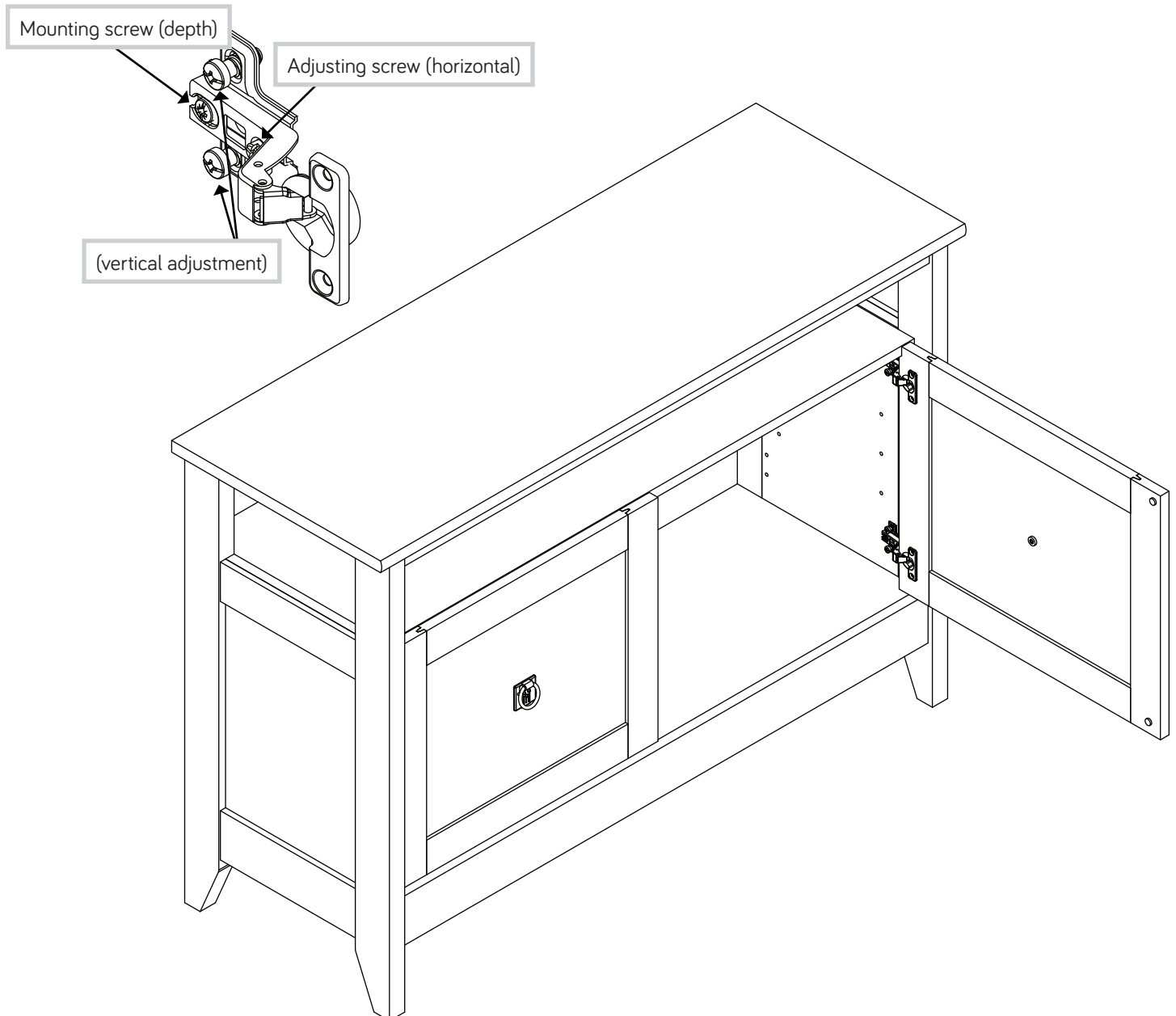
# Step 17

- ✦ Carefully stand your unit upright.
- ✦ Before fastening the DOOR (T) to your unit, be sure the mounting screw is against the stops as shown in the right diagram. If it isn't, loosen the mounting screw to slide it against the stops. Then tighten the mounting screw.
- ✦ Fasten the DOOR (T) to the END (A) as shown in the lower diagram. Use the screws in the HINGES. You should start each SCREW a few turns before completely tightening any of them.
- ✦ Fasten a PULL (22K) to the DOOR (T). Use a WASHER (10I) and a SILVER 1/4" MACHINE SCREW (61S).
- ✦ Peel two FELT DISKS from the FELT DISK CARD (1M) to the DOOR (T) where it comes in contact with the LARGE UPRIGHT (O).
- ✦ Repeat this step for the other DOOR (T).
- ✦ See the next step for DOOR adjustments.



# Step 18

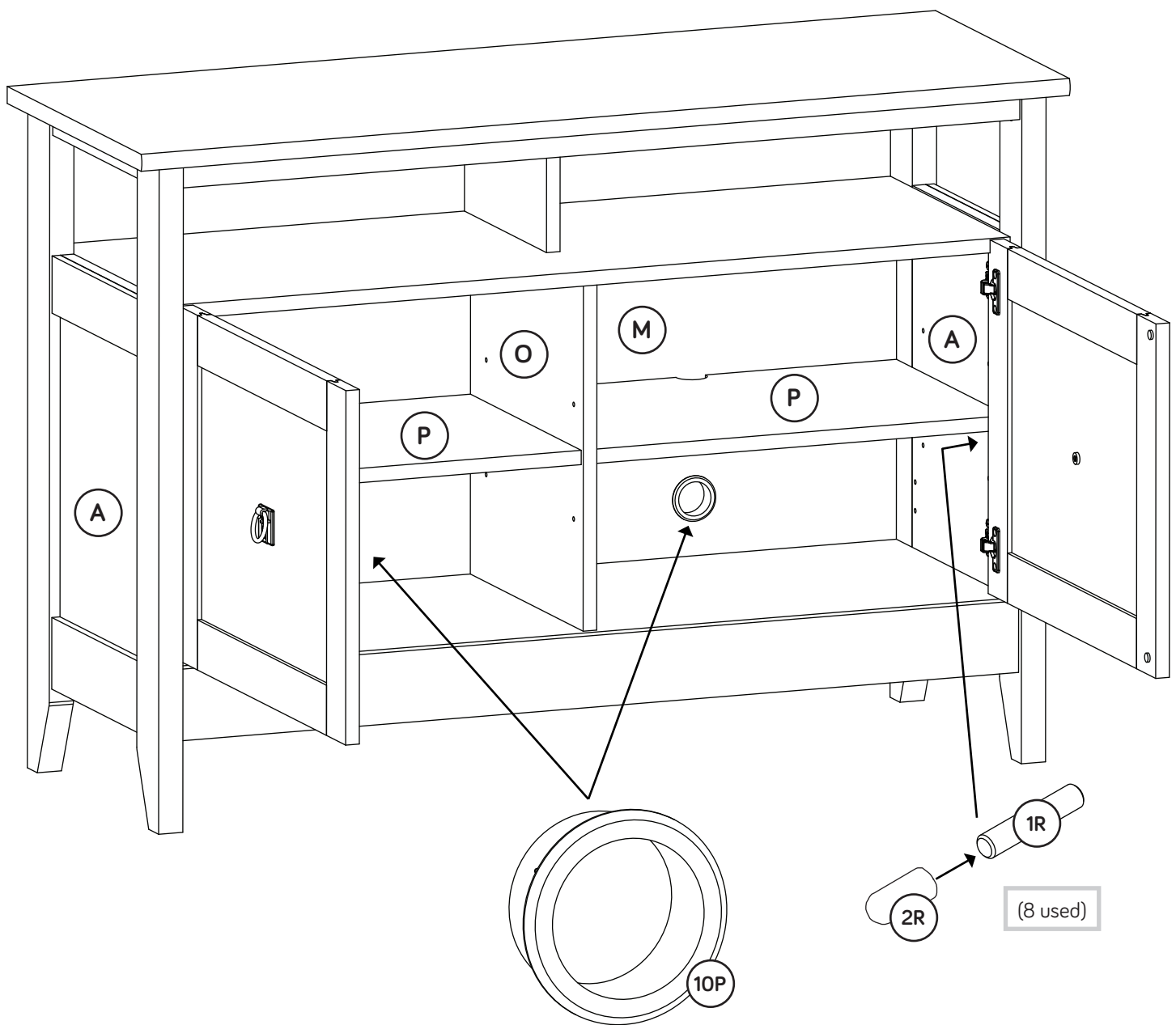
- ✚ Refer to the enlarged diagram to identify the parts on the HINGES.
- ✚ The DOORS may need some adjustments. Follow the text below to make needed adjustments.
- ✚ DOOR ADJUSTMENTS:
  - ✚ To adjust the DOORS from side to side (horizontal), turn the adjusting screw in or out.
  - ✚ To adjust the DOORS up and down (vertical), loosen both vertical adjustment screws. Move the DOORS up or down to the desired location. Tighten the screws after making adjustments.
  - ✚ To adjust the DOORS in or out (depth), loosen the mounting screw one turn and move the DOORS in or out, as needed. Tighten the mounting screw after making adjustments.





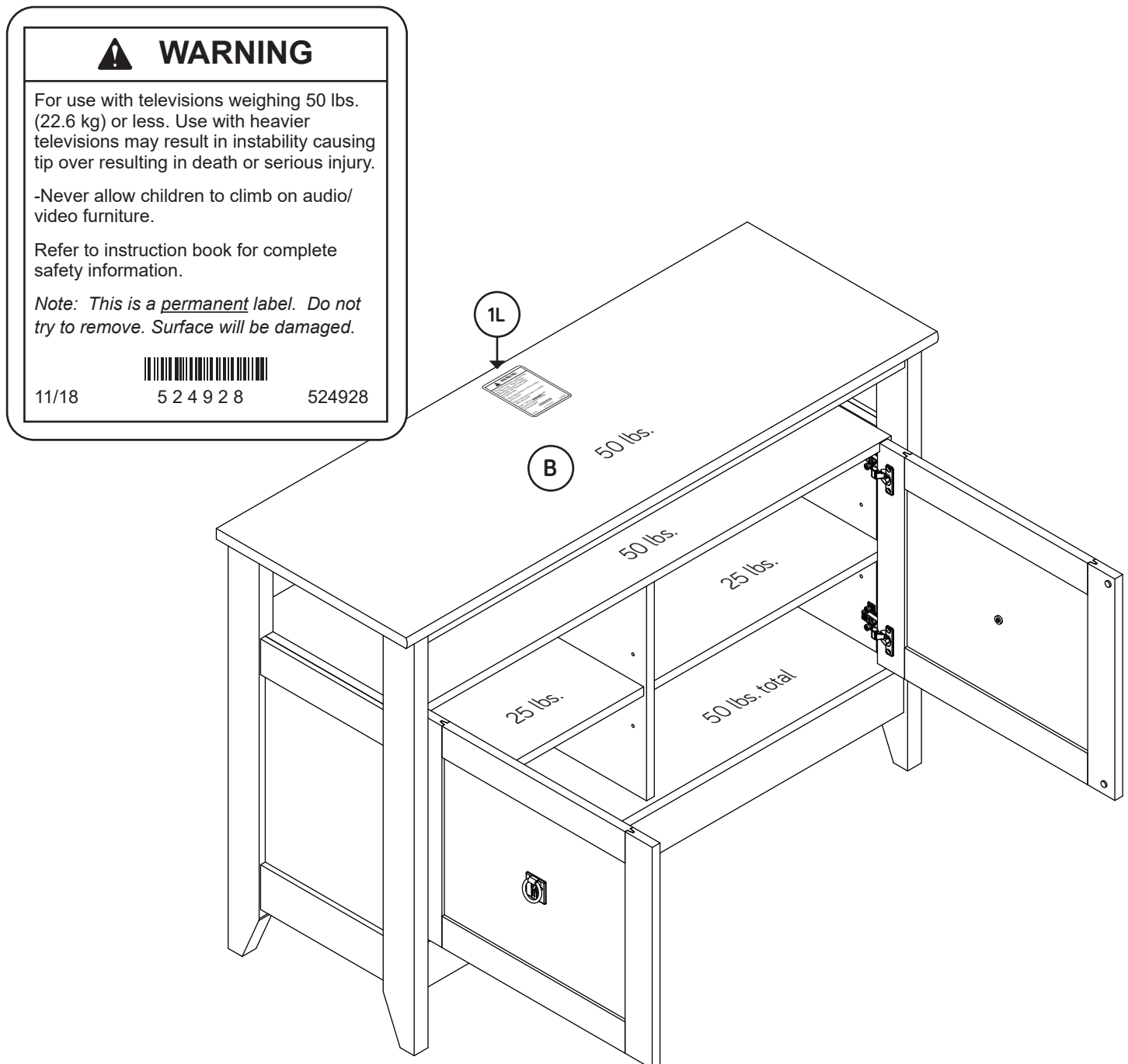
# Step 19

- ✚ Push the RUBBER SLEEVES (2R) over the METAL PINS (1R).  
Insert the METAL PINS into the hole locations of your choice in the ENDS (A) and LARGE UPRIGHTS (O). Set the ADJUSTABLE SHELVES (P) onto the METAL PINS.
- ✚ Insert the GROMMETS (10P) into the large holes in the BACK (M).



# Step 20

- Apply the WARNING LABEL (1L) to the TOP (B). You should be able to read the label when the TV is removed from the unit. Peel off the backing and apply the label as shown in the diagram.
- NOTE:** This is a permanent label intended to last for the life of the product. Once applied, do not try to remove it.
- NOTE:** Please read the back pages of the instruction booklet for important safety information.
- This completes assembly. Clean with a damp cloth. Wipe dry.



 **WARNING**

Please use your furniture correctly and safely. Improper use can cause safety hazards, or damage to your furniture or household items. Carefully read the following safety information.

Death or serious injury may occur when children climb on audio and/or video equipment furniture. A remote control or toys placed on the furnishing may encourage a child to climb on the furnishing and as a result may tip over onto the child.

**NEVER** allow children to climb or play with the TV or furnishing supporting the TV.

**NEVER** place toys, food, remote, etc. on top of the TV or TV furnishing.

**ALWAYS** use either the safety hardware as instructed or other wall anchoring device.

Relocating audio and/or video equipment to furniture not specifically designed to support audio and/or video equipment may result in death or serious injury due to furniture collapse or over turning onto a child.

**NEVER** place a TV on furniture that is not intended to support a TV.

**NEVER** exceed the maximum size and weight of the TV shown in the instructions.

Be sure to apply the TV warning label as shown in the instructions.

Overloading drawers and shelves may result in furniture that can break or sag, or tip-over which may result in injury.

**NEVER** exceed the weight limits shown in the instructions.

Place the heavier items on lower shelves as far back from the front as possible.

Load the bottom surfaces first to avoid top-heavy furniture.

Moving furniture that is not designed to be moved or equipped with casters may result in injury or damage to furnishings or personal property.

**ALWAYS** unload shelves and drawers, starting with the top surfaces, before moving.

**NEVER** push or pull furniture on carpet. Have a friend help lift properly to move and/or reposition it.