

WAIT chair family



GUARANTEE

- 5 years

TECHNICAL INFORMATION

Types

- Visitor & conference, high chairs.

Seat and back

- Seat made of high quality plastic (PP - polypropilene), covered with foam (density (H5050). Upholstered with fabric or leather;
- Back made of high quality plastic PP.

Bases

- Chromed-plated sled frame, Ø11 mm;
- Four-legg chromed steel frame, Ø18 mm;
- Four-legg chromed steel frame Ø18 mm with Ø18 mm integrated armrests on the frame with plastic finish (PP – polypropilene pad);
- Four-legg chromed steel frame, Ø18 mm with castors.

Castors

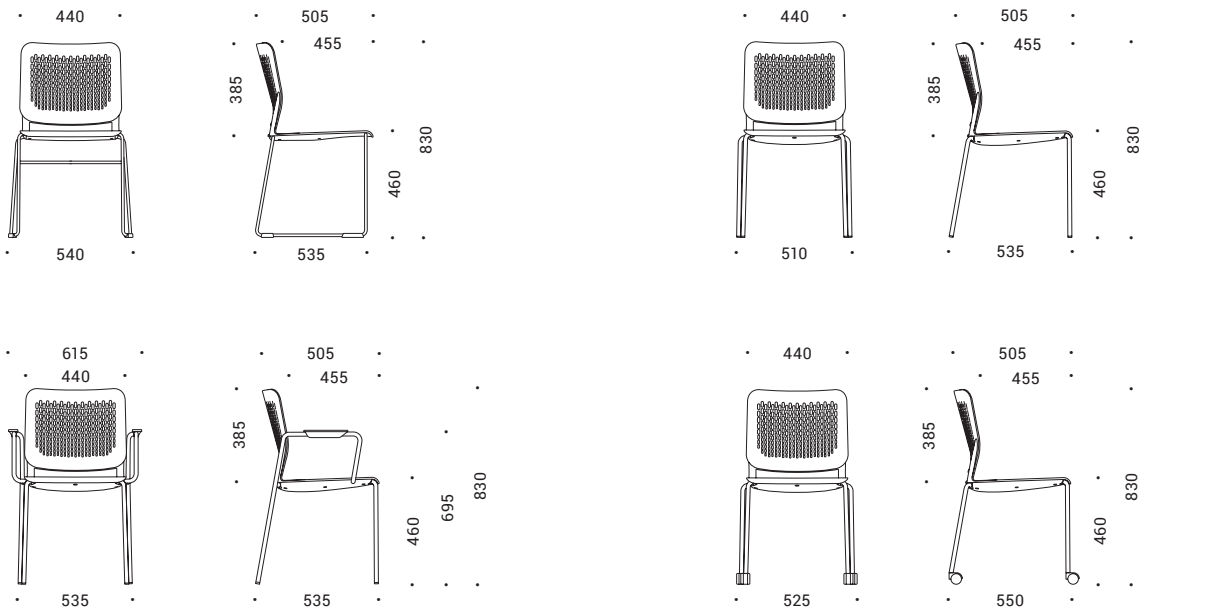
- PA (polyamide) free wheel castors for soft floor, Ø50 mm (SUA010 only).

Trolley

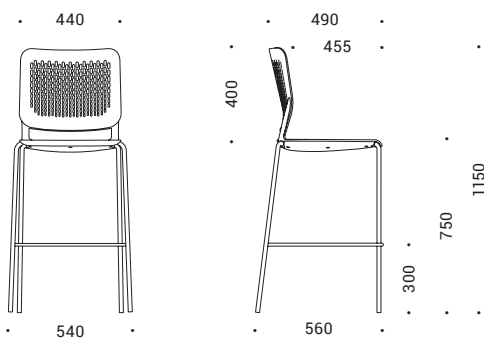
- Capacity for 4-legs base frame chairs 10 pcs.
- Capacity for sled base frame chairs 16 pcs.

RANGE

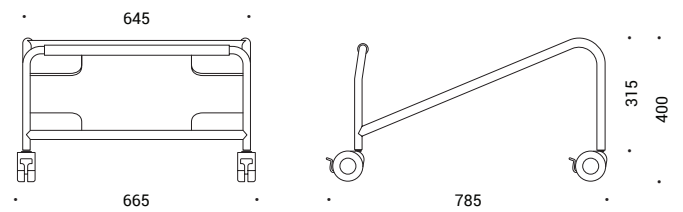
Visitor & conference



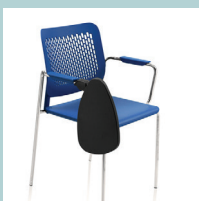
High



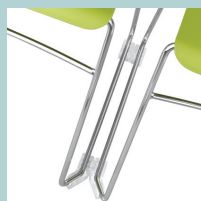
Trolley



Optional



Right-hand folding table



Connectors