

**Teknik**

[www.teknikoffice.co.uk](http://www.teknikoffice.co.uk)

You won't lose your  
shirt with this one.

# Hudson 4-Drawer Chest

Model 5425829

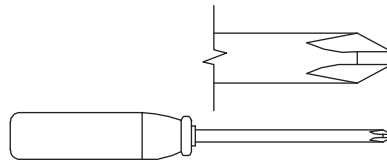
**NOTE:** THIS INSTRUCTION  
BOOKLET CONTAINS **IMPORTANT**  
SAFETY INFORMATION.

PLEASE READ AND KEEP FOR  
FUTURE REFERENCE.

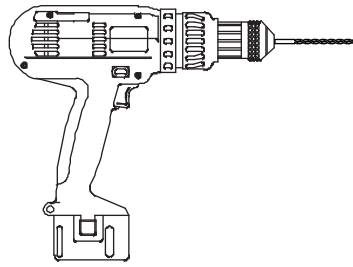
# Table of Contents

# Assembly Tools Required

Part Identification	3
Hardware Identification	4
Assembly Steps	5-21
Français	22-24
Español	25-28
Safety	29-30
Warranty	31



No. 2 Phillips Screwdriver  
Tip Shown Actual Size



Electric drill with 1/8" bit  
(ONLY in indicated step)

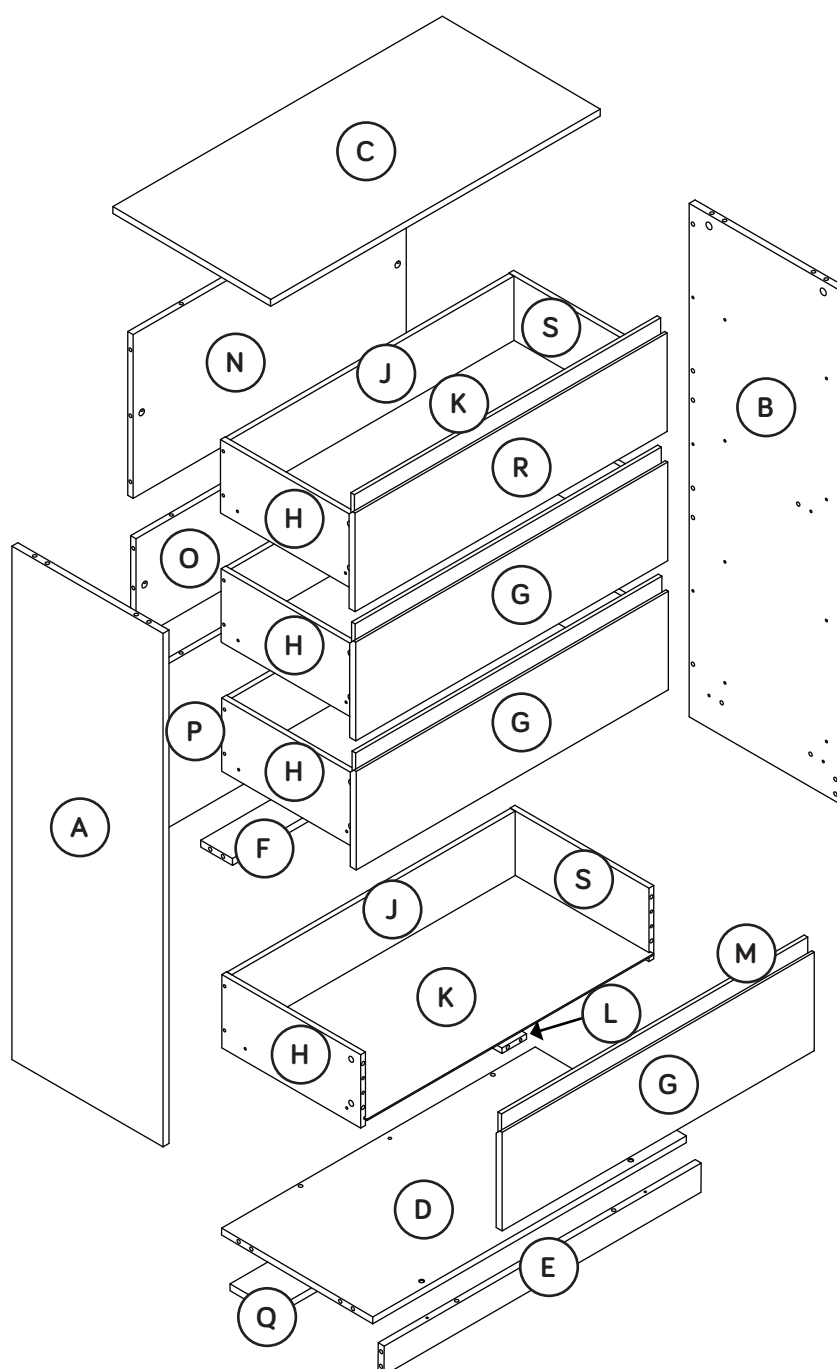
# Part Identification

Now you know  
our ABCs.



⚡ While not all parts are labeled, some of the parts will have a label or an inked letter on the edge to help distinguish similar parts from each other. Use this part identification to help identify similar parts.

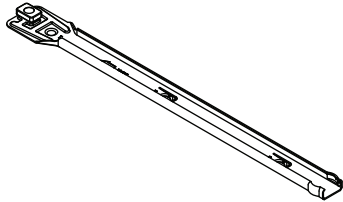
A	LEFT END (1)	G	DRAWER FRONT (3)	N	UPPER BACK (1)
B	RIGHT END (1)	H	LEFT DRAWER SIDE (4) - 1 with label	O	CENTER BACK (1)
C	TOP (1)	J	DRAWER BACK (4)	P	LOWER BACK (1)
D	BOTTOM (1)	K	DRAWER BOTTOM (4)	Q	BALLAST (1)
E	SKIRT (1)	L	DRAWER BRACE (4)	R	WHITE DRAWER FRONT (1)
F	BRACE (1)	M	DRAWER FRONT MOLDING (4)	S	RIGHT DRAWER SIDE (4)



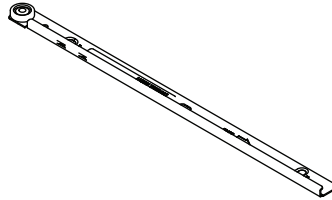
# Hardware Identification

† Screws are shown actual size. You may receive extra hardware with your unit.

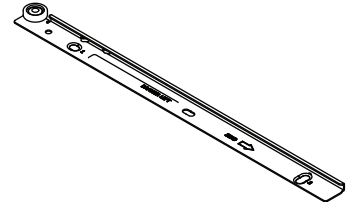
**35AA** UNIVERSAL CABINET RAIL - 8



**35AC** DRAWER RIGHT - 4



**35AD** DRAWER LEFT - 4



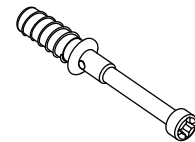
**1** LARGE HIDDEN CAM - 17



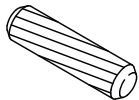
**2** SMALL HIDDEN CAM - 20



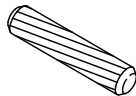
**3** CAM SCREW - 37



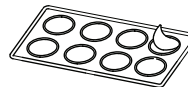
**4** LARGE WOOD DOWEL - 38



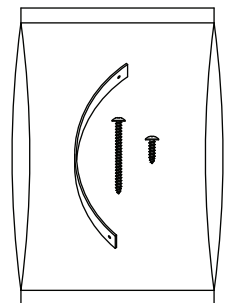
**5** SMALL WOOD DOWEL - 40



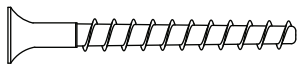
**6** APPLIQUE CARD - 2



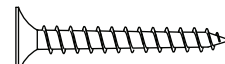
**98** FURNITURE TIPPING RESTRAINT KIT - 1



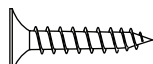
**7** SILVER 1-1/2" FLAT HEAD SCREW - 20



**8** SILVER 1-1/8" FLAT HEAD SCREW - 4



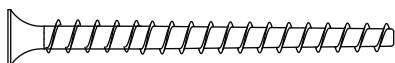
**9** BLACK 3/4" FLAT HEAD SCREW - 12



**10** BLACK 3/8" FLAT HEAD SCREW - 32



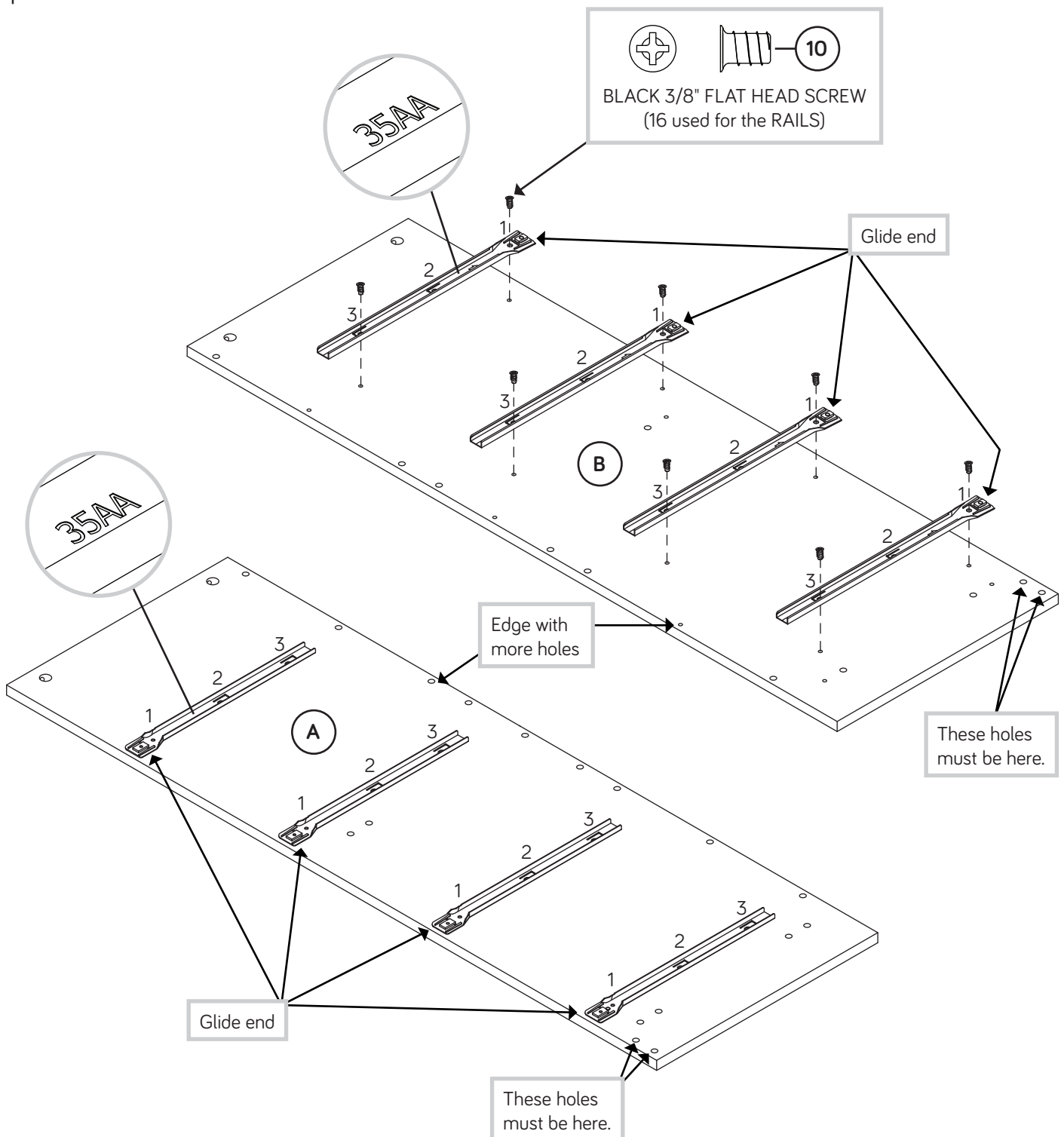
**11** SILVER 2" FLAT HEAD SCREW - 2



# Step 1

- ✚ Assemble your unit on a carpeted floor or on the empty carton to avoid scratching your unit or the floor.
- ✚ Fasten the UNIVERSAL CABINET RAILS\* (35AA) to the ENDS (A and B). Use sixteen BLACK 3/8" FLAT HEAD SCREWS (10) through holes #1 and #3.
- ✚ \*patent pending glide system

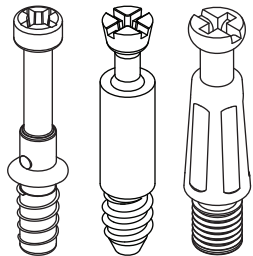
VIEW THE DRAWER GLIDE VIDEO



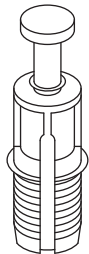
# Hardware Usage Guide

## HOW TO USE A HIDDEN CAM & CAM SCREW OR CAM DOWEL

1. NOTE: Various CAM SCREWS or a CAM DOWEL may be used.

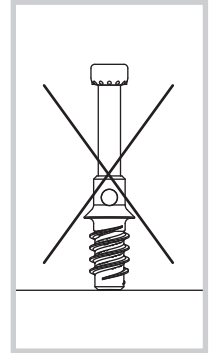
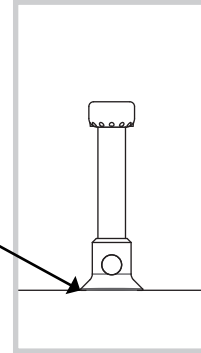


Cam Screws

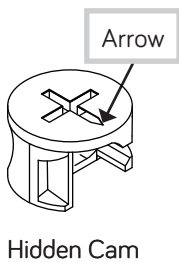


Cam Dowel

Turn the CAM SCREW or gently tap the CAM DOWEL until the shoulder is against the surface of the part.

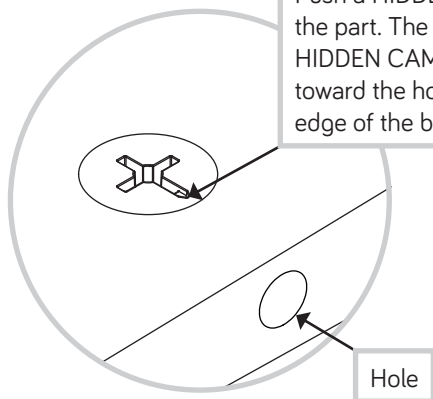


2.



Arrow

Hidden Cam

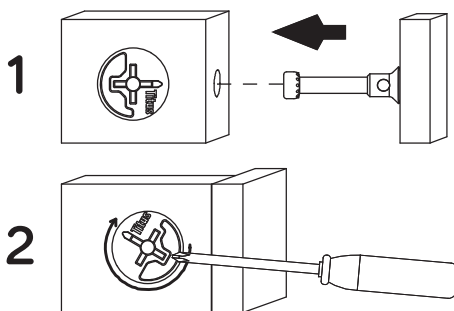


Push a HIDDEN CAM into the part. The arrow in the HIDDEN CAM must point toward the hole in the edge of the board.

Hole

3.

Insert the CAM SCREW or CAM DOWEL into the HIDDEN CAM. Tighten the HIDDEN CAM.

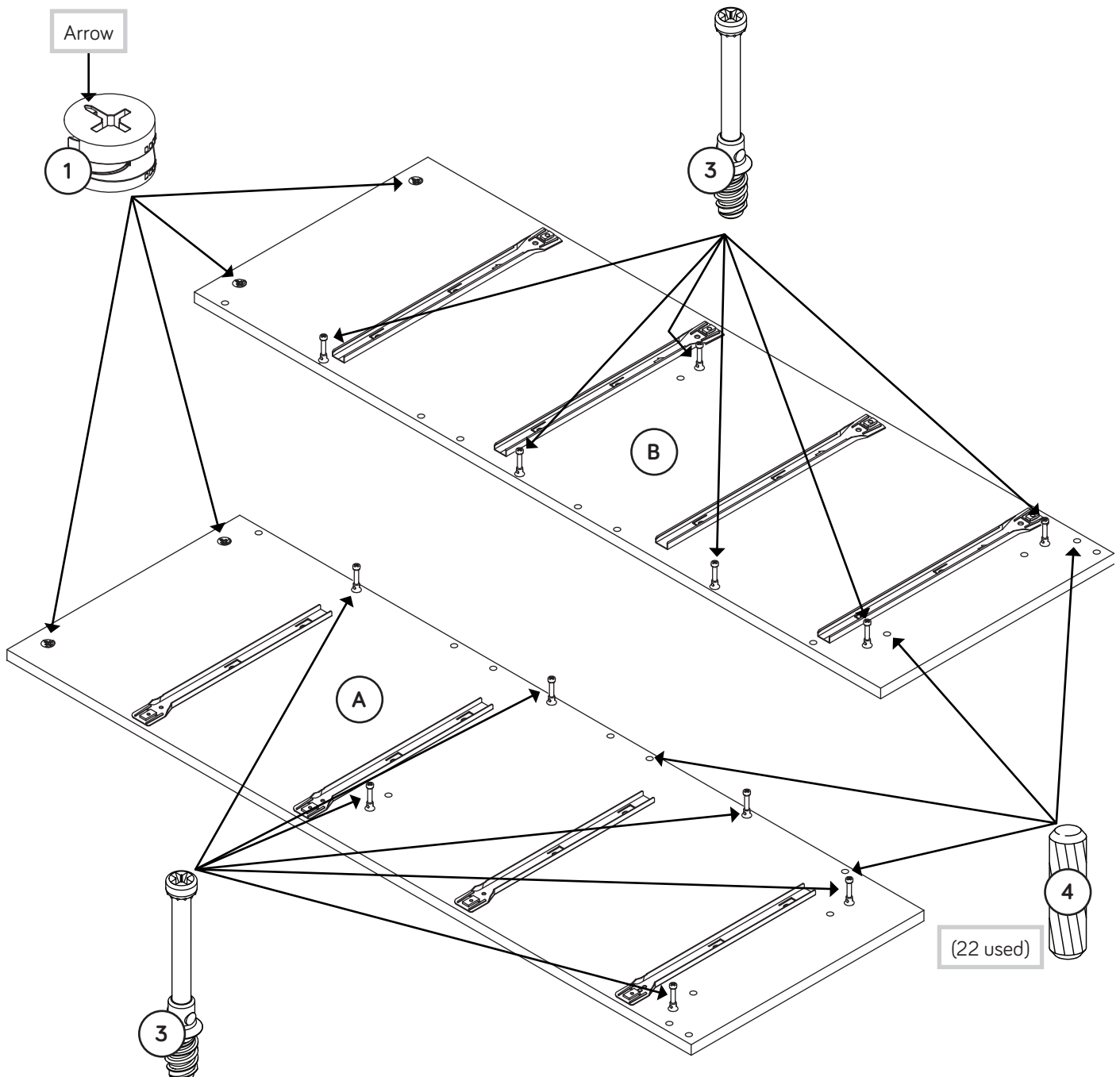


# Step 2

- Push four LARGE HIDDEN CAMS (1) into the ENDS (A and B).
- Turn twelve CAM SCREWS (3) into the exact holes shown in the ENDS (A and B).
- Then, insert twenty-two LARGE WOOD DOWELS (4) into the remaining holes in the ENDS (A and B).

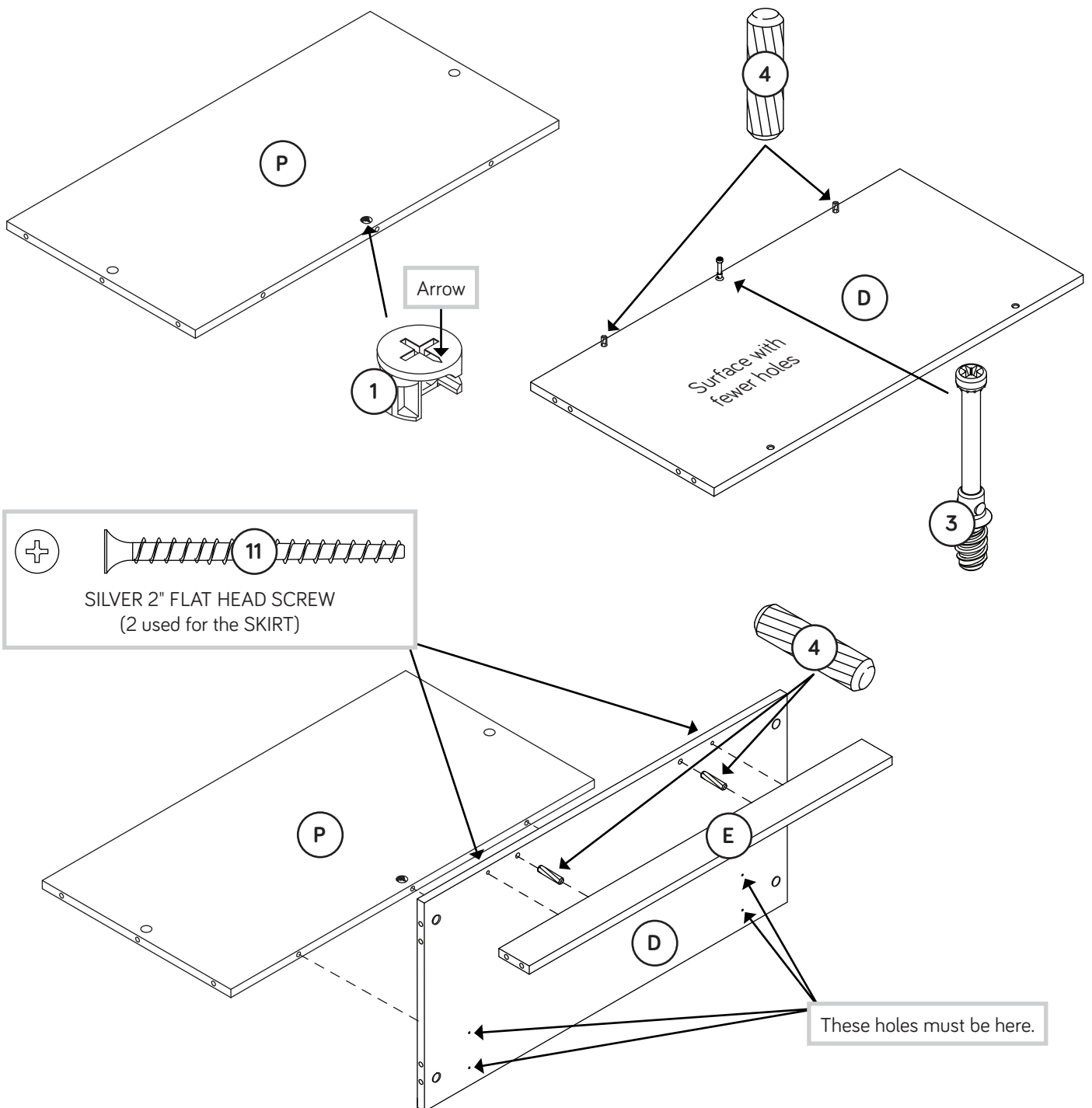


Some assembly  
(and snacks) required.



# Step 3

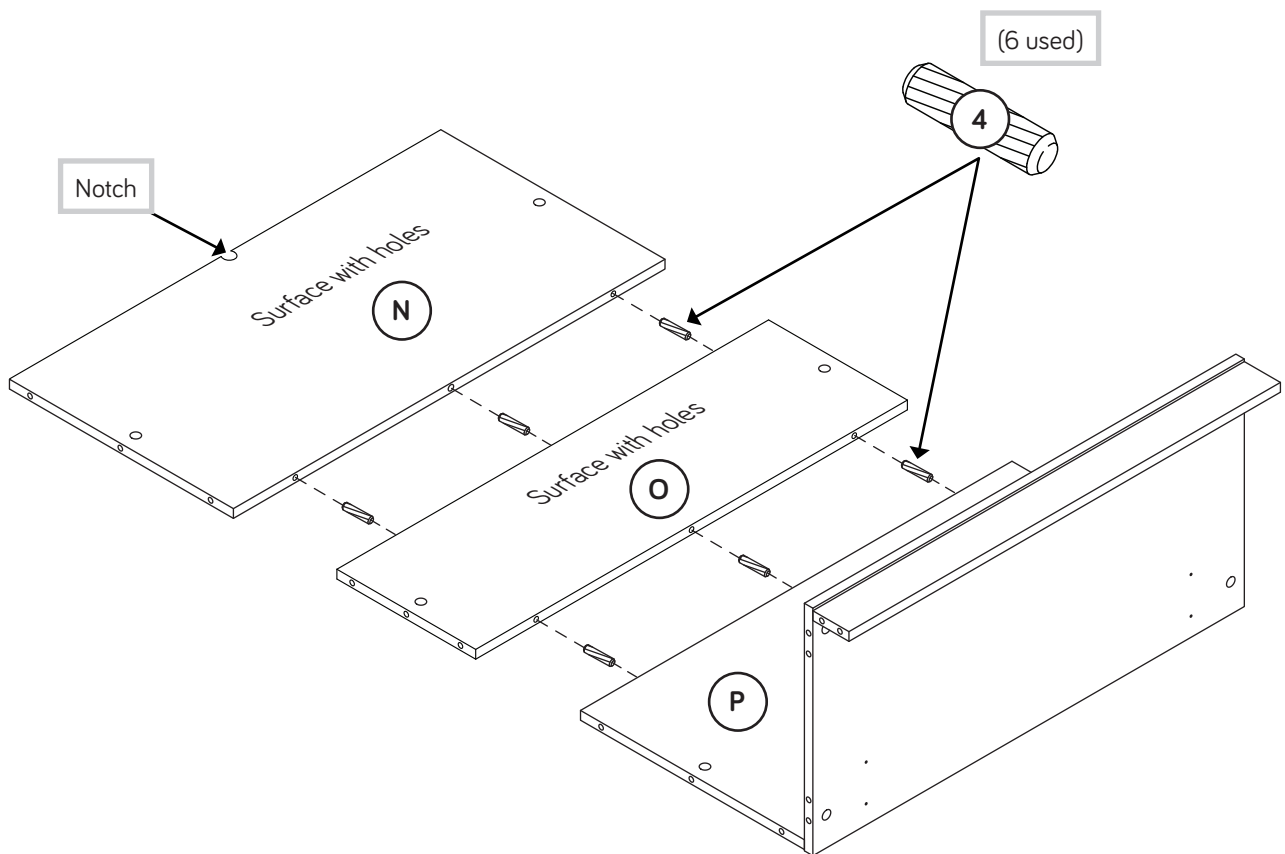
- ✚ Push one LARGE HIDDEN CAM (1) into the LOWER BACK (P) as shown.
- ✚ Turn one CAM SCREW (3) into the BOTTOM (D).
- ✚ Insert two LARGE WOOD DOWELS (4) into the BOTTOM (D).
- ✚ Fasten the LOWER BACK (P) to the BOTTOM (D). Tighten one HIDDEN CAM.
- ✚ **NOTE:** Be sure the WOOD DOWELS in the BOTTOM insert into the LOWER BACK.
- ✚ Insert two LARGE WOOD DOWELS (4) into the BOTTOM (D), and fasten the SKIRT (E) to the BOTTOM (D). Use two SILVER 2" FLAT HEAD SCREWS (11).





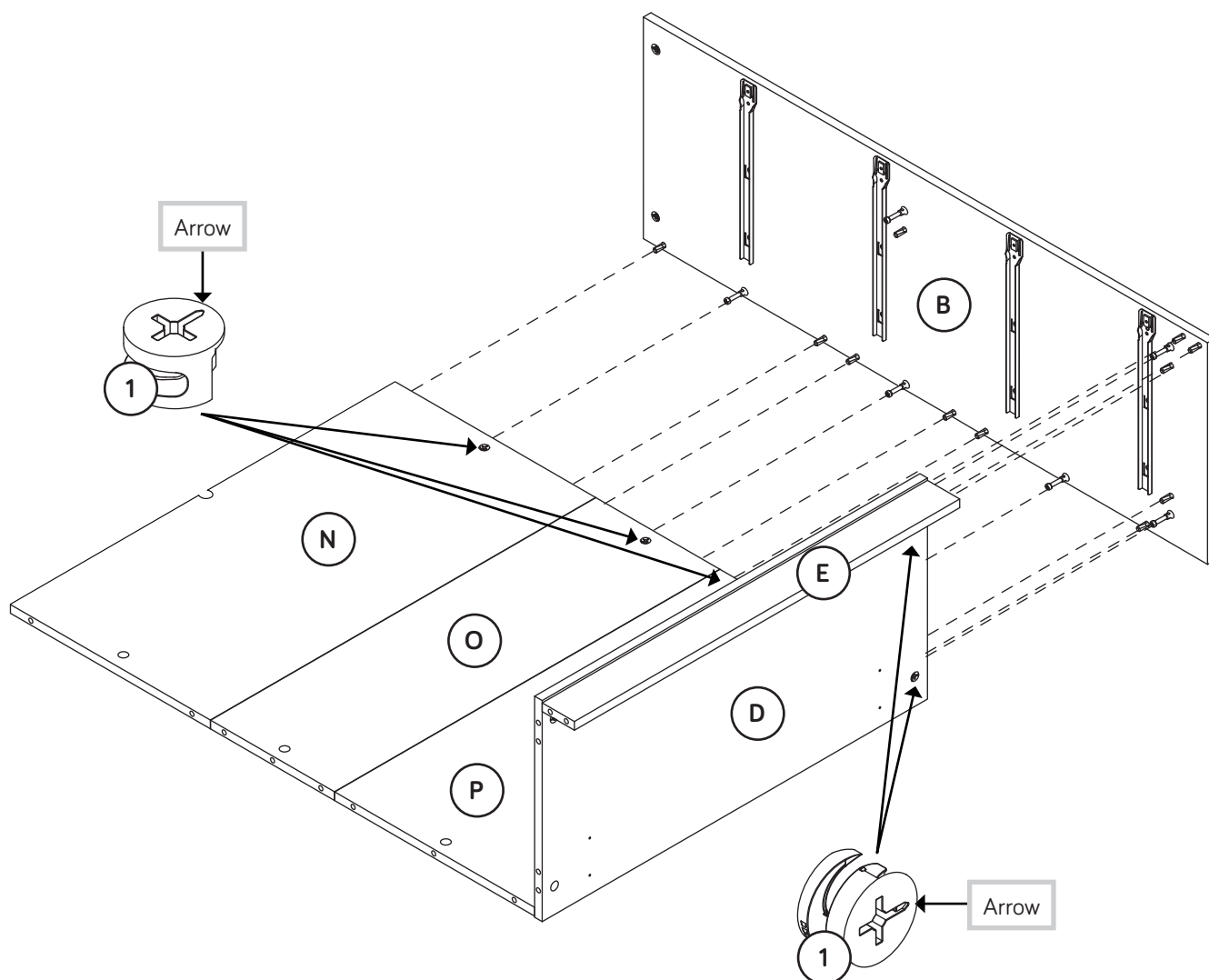
# Step 4

- ✚ Insert six LARGE WOOD DOWELS (4) into the long edges of the CENTER BACK (O).
- ✚ Insert the LARGE WOOD DOWELS in the CENTER BACK (O) into the BACKS (N and P) so the BACKS are all connected.



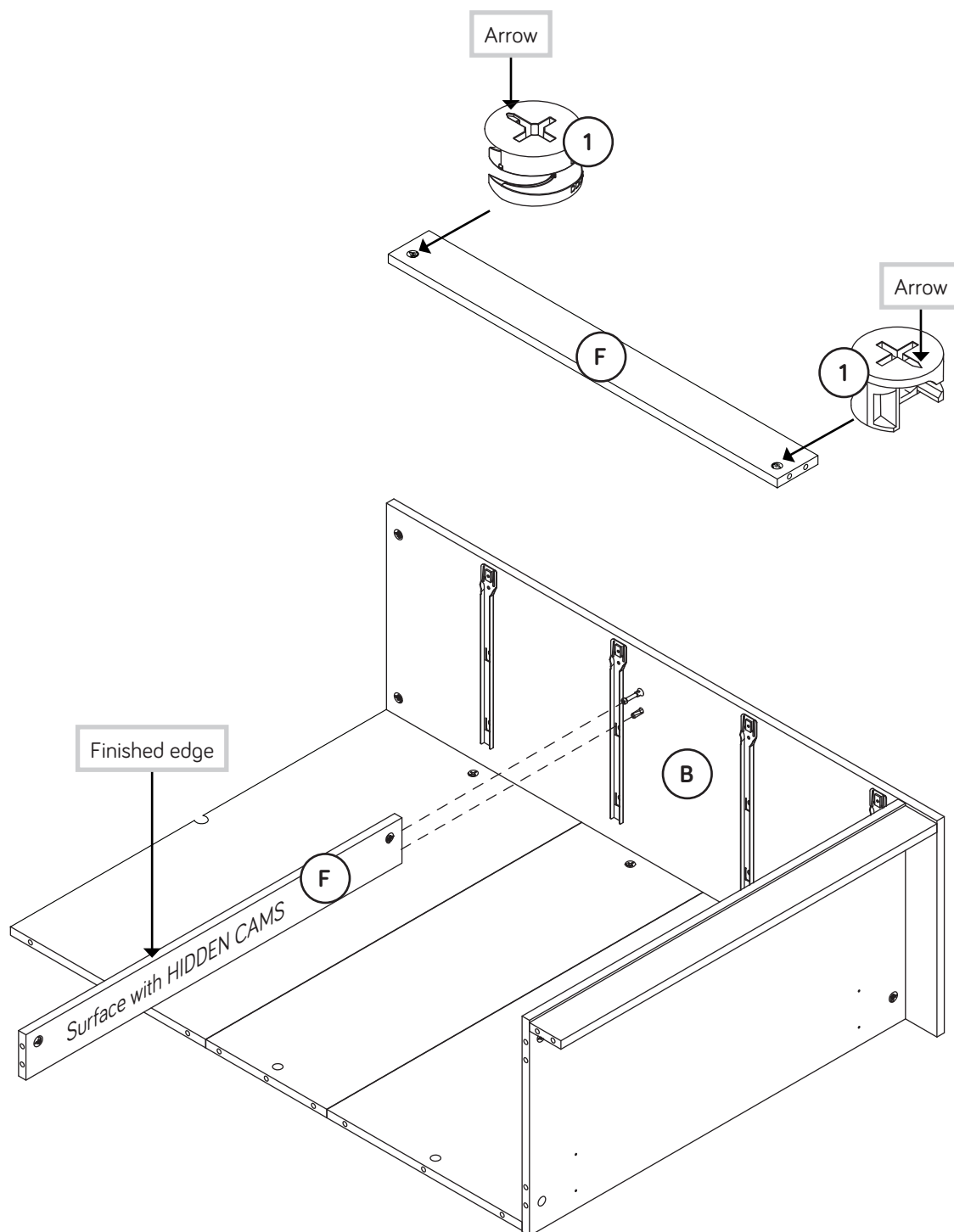
# Step 5

- ✚ Push five LARGE HIDDEN CAMS (1) into the BOTTOM (D) and BACKS (N, O, and P).
- ✚ Fasten the RIGHT END (B) to the BOTTOM (D) and BACKS (N, O, and P). Tighten five HIDDEN CAMS.
- ✚ NOTE: Be sure the WOOD DOWELS in the RIGHT END insert into the BOTTOM (D), SKIRT (E), and BACKS (N, O, and P).



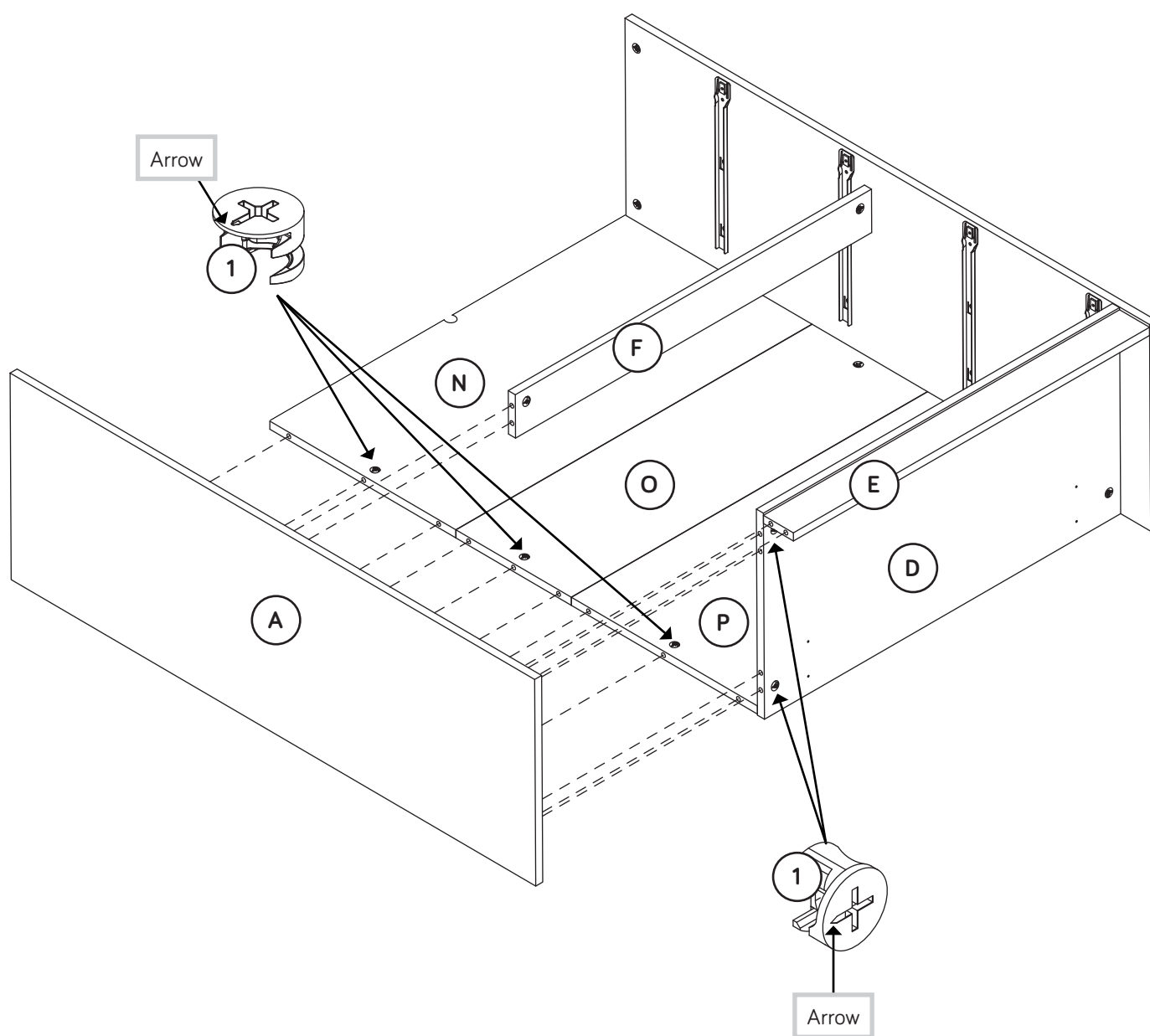
# Step 6

- ✚ Push two LARGE HIDDEN CAMS (1) into the BRACE (F).
- ✚ Fasten the BRACE (F) to the RIGHT END (B). Tighten one HIDDEN CAM.
- ✚ NOTE: Be sure the WOOD DOWEL in the RIGHT END inserts into the BRACE.



# Step 7

- ✚ Push five LARGE HIDDEN CAMS (1) into the BOTTOM (D) and BACKS (N, O, and P).
- ✚ Fasten the LEFT END (A) to the BOTTOM (D), BRACE (F), and BACKS (N, O, and P). Tighten six HIDDEN CAMS.
- ✚ NOTE: Be sure the WOOD DOWELS in the LEFT END insert into the BOTTOM (D), SKIRT (E), BRACE (F), and BACKS (N, O, and P).

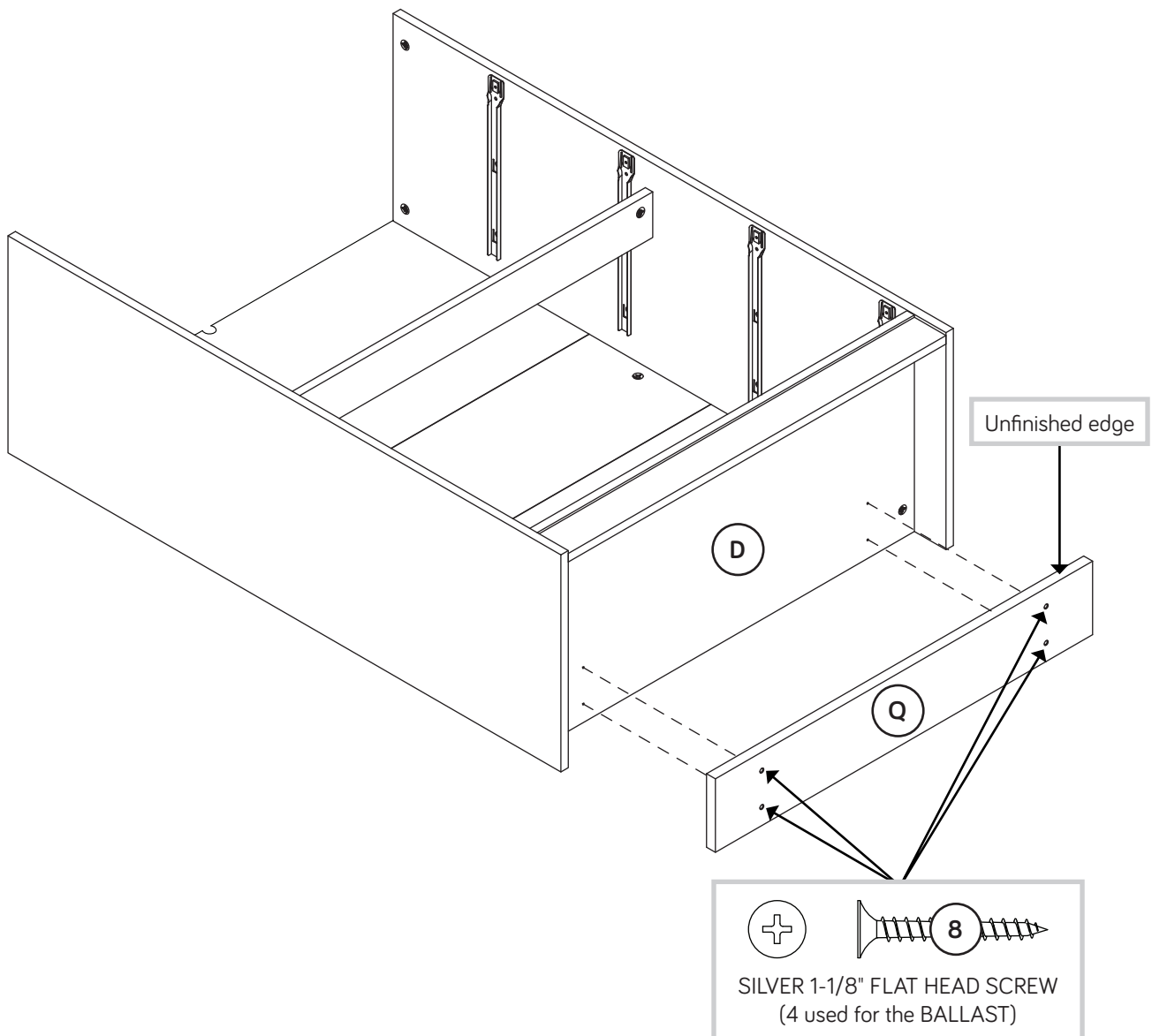


# Step 8

- Fasten the BALLAST (Q) to the BOTTOM (D). Use four SILVER 1-1/8" FLAT HEAD SCREWS (8).
- NOTE:** You should start each SCREW a few turns before completely tightening any of them.

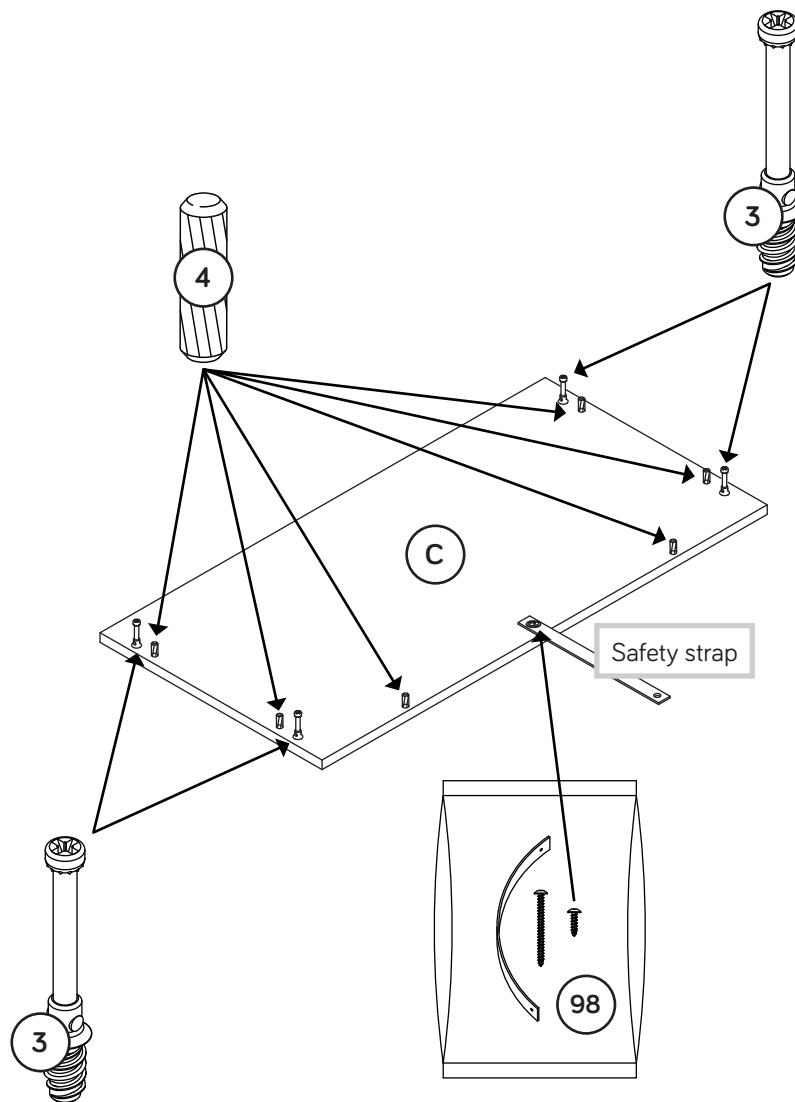


Now might be a good time to refresh your drink.



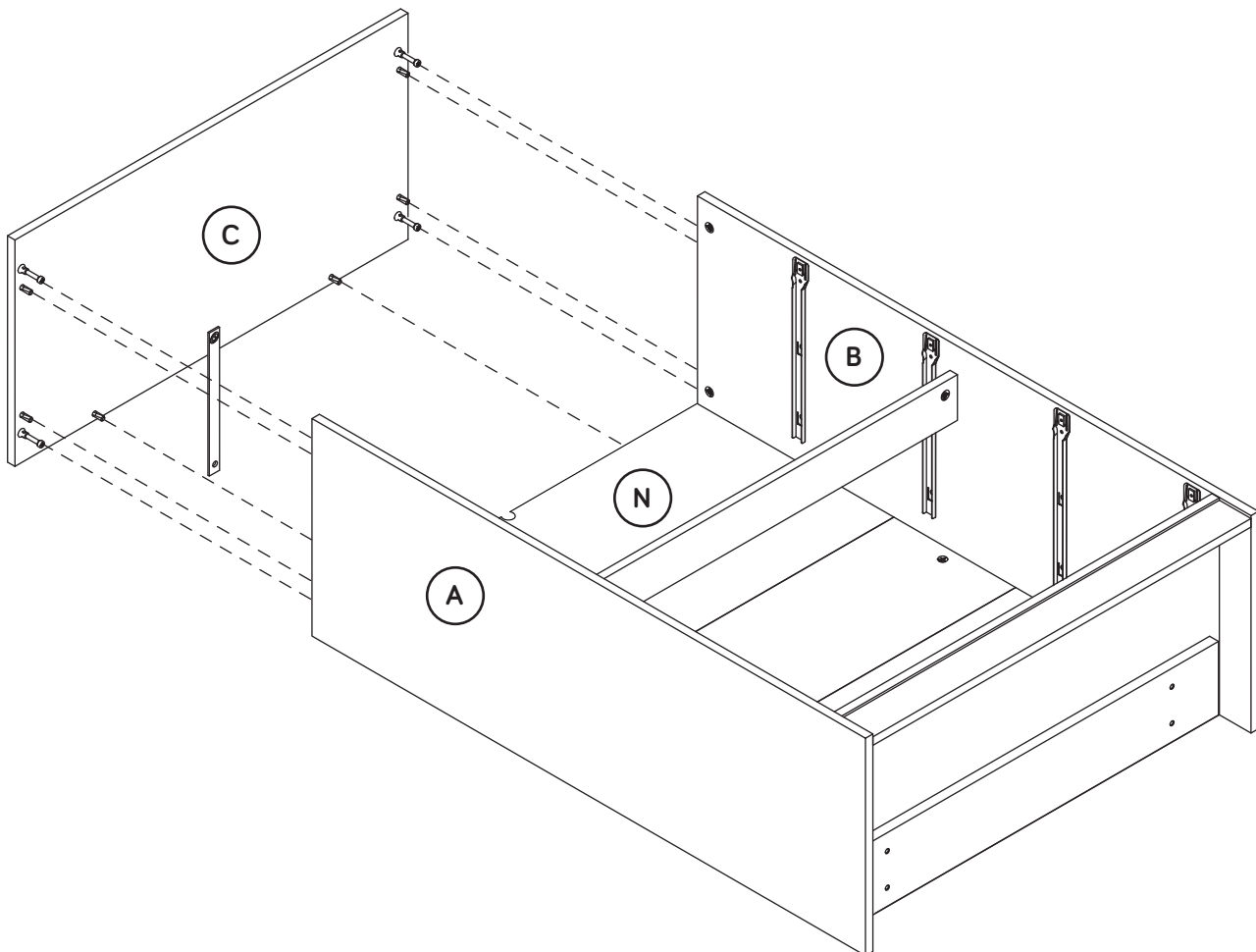
# Step 9

- ✦ Turn four CAM SCREWS (3) into the TOP (C).
- ✦ Insert six LARGE WOOD DOWELS (4) into the TOP (C).
- ✦ Open the FURNITURE TIPPING RESTRAINT KIT (98) and fasten the SAFETY STRAP to the TOP (C). Use the provided short screw.



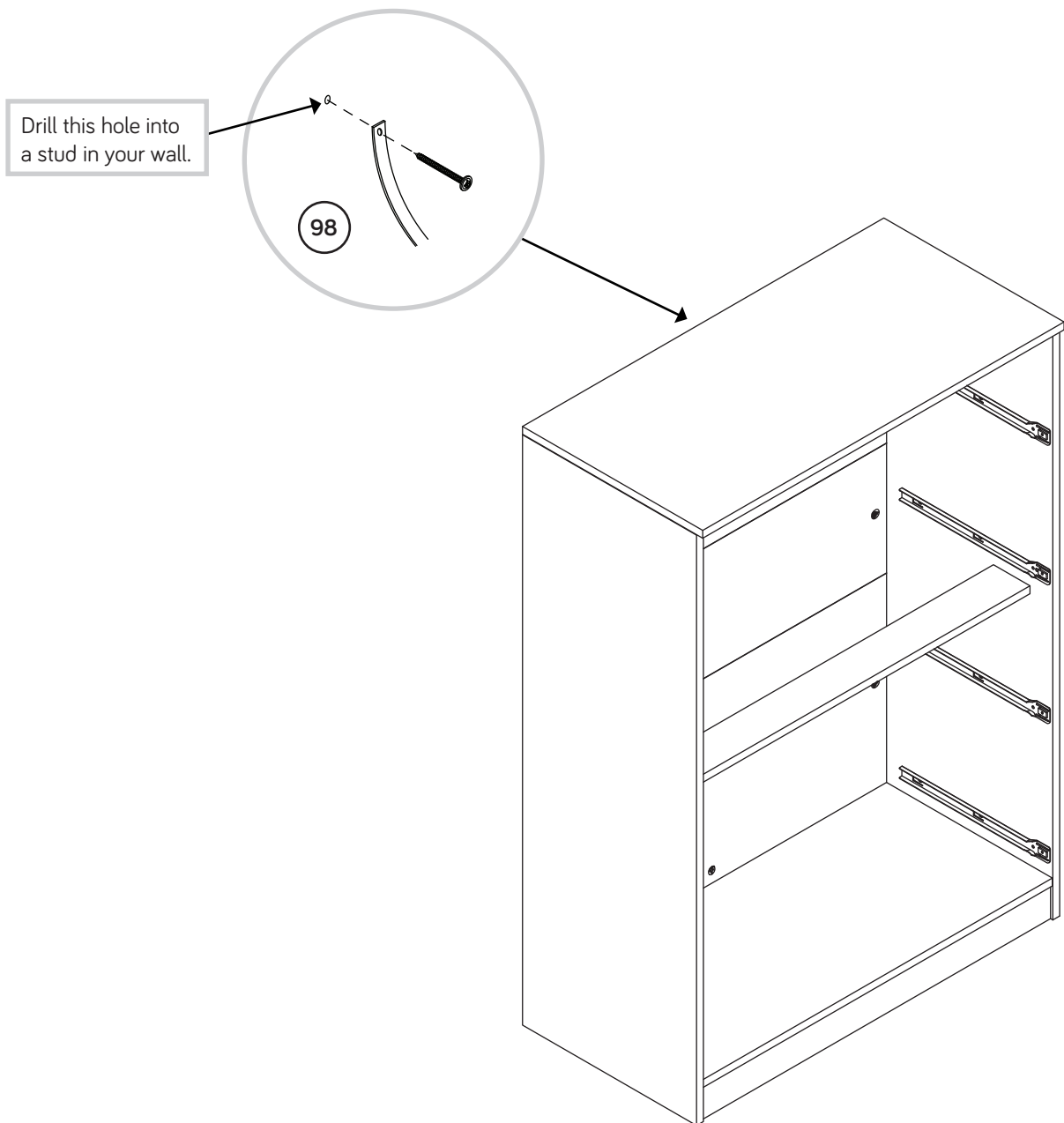
# Step 10

- ✚ Fasten the TOP (C) to the ENDS (A and B). Tighten four HIDDEN CAMS.
- ✚ NOTE: Be sure the WOOD DOWELS in the TOP insert into the ENDS (A and B) and UPPER BACK (N).
- ✚ NOTE: The SAFETY STRAP should go through the notch in the UPPER BACK (N).



# Step 11

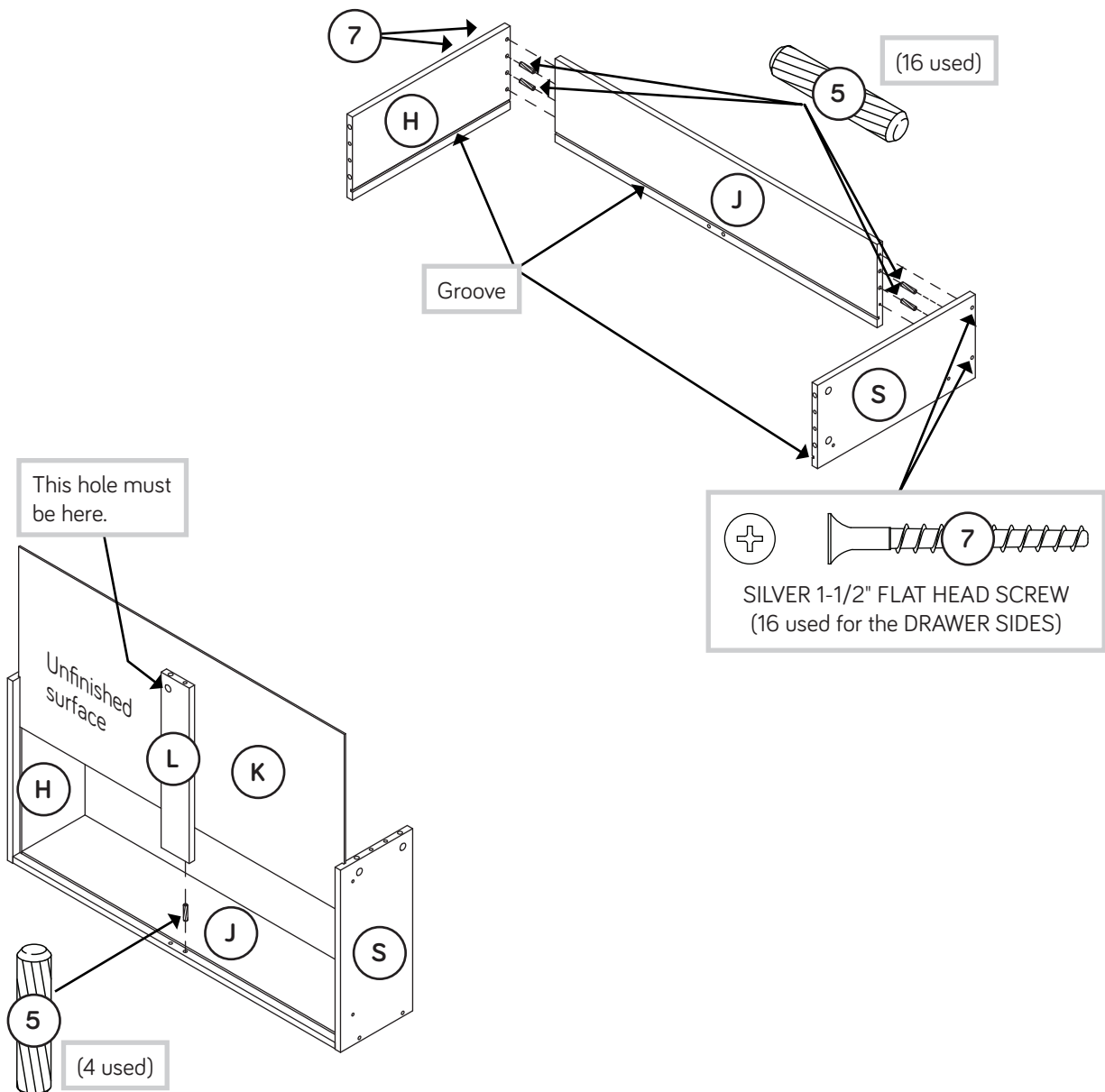
- ✚ Carefully stand your unit upright in its final location. We recommend using the SAFETY STRAP for added stability.
- ✚ Locate the center of a stud in your wall near your unit and mark it with a pencil just below the top surface of your unit so the SAFETY STRAP will not be visible. Next, drill a 1/8" hole on the mark and into the stud in your wall.
- ✚ Fasten the unit to the wall. Use the long screw through the other end of the strap and into the 1/8" hole.





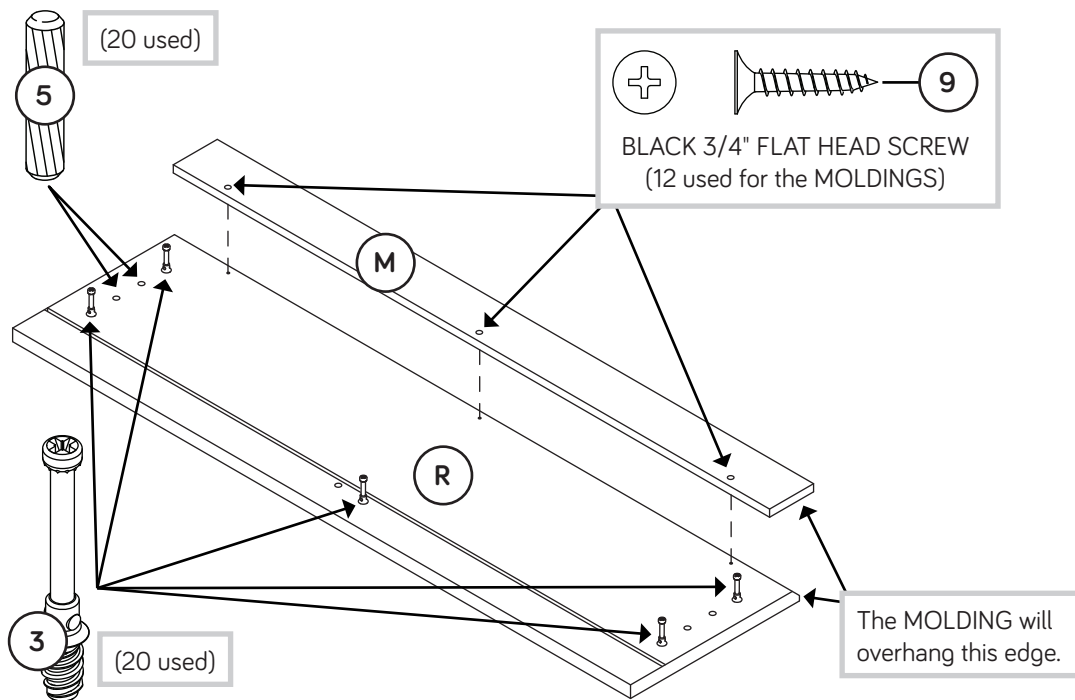
# Step 12

- ✚ Insert four SMALL WOOD DOWELS (5) into the center holes in the short edges of the DRAWER BACK (J).
- ✚ Fasten the DRAWER SIDES (H and S) to the DRAWER BACK (J). Use four SILVER 1-1/2" FLAT HEAD SCREWS (7).
- ✚ Slide a DRAWER BOTTOM (K) into the grooves in the DRAWER SIDES (H and S) and DRAWER BACK (J).
- ✚ Insert one SMALL WOOD DOWEL (5) into the exact hole shown in the DRAWER BACK (J).
- ✚ Place a DRAWER BRACE (L) onto this WOOD DOWEL.



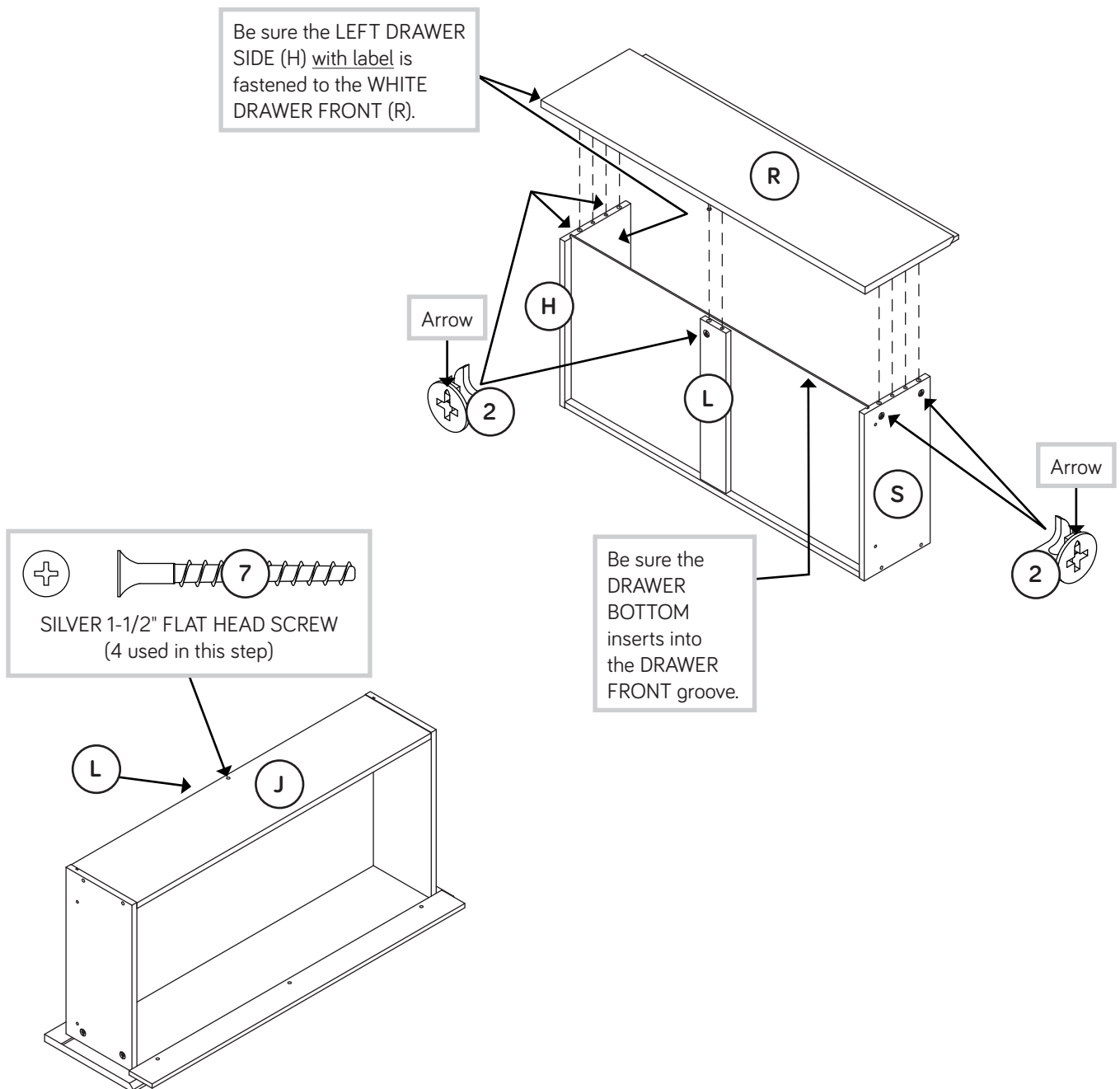
# Step 13

- Fasten a DRAWER FRONT MOLDING (M) to the WHITE DRAWER FRONT (R). Use three BLACK 3/4" FLAT HEAD SCREWS (9).
- Turn five CAM SCREWS (3) into the exact holes shown in the WHITE DRAWER FRONT (R).
- Insert five SMALL WOOD DOWELS (5) into the remaining holes in the WHITE DRAWER FRONT (R).



# Step 14

- ✚ Push five SMALL HIDDEN CAMS (2) into the DRAWER SIDES (H and S) and DRAWER BRACE (L).
- ✚ Fasten the WHITE DRAWER FRONT (R) to the DRAWER SIDES (H and S) and DRAWER BRACE (L). Tighten five HIDDEN CAMS.
- ✚ NOTE: Be sure the LEFT DRAWER SIDE (H) with label is fastened to the WHITE DRAWER FRONT (R).
- ✚ NOTE: Be sure the WOOD DOWELS in the DRAWER FRONT insert into the DRAWER SIDES and DRAWER BRACE.
- ✚ Carefully turn the drawer over, and fasten the DRAWER BACK (J) to the DRAWER BRACE (L). Use one SILVER 1-1/2" FLAT HEAD SCREW (7).
- ✚ Repeat Steps 12-14 for the other drawers.

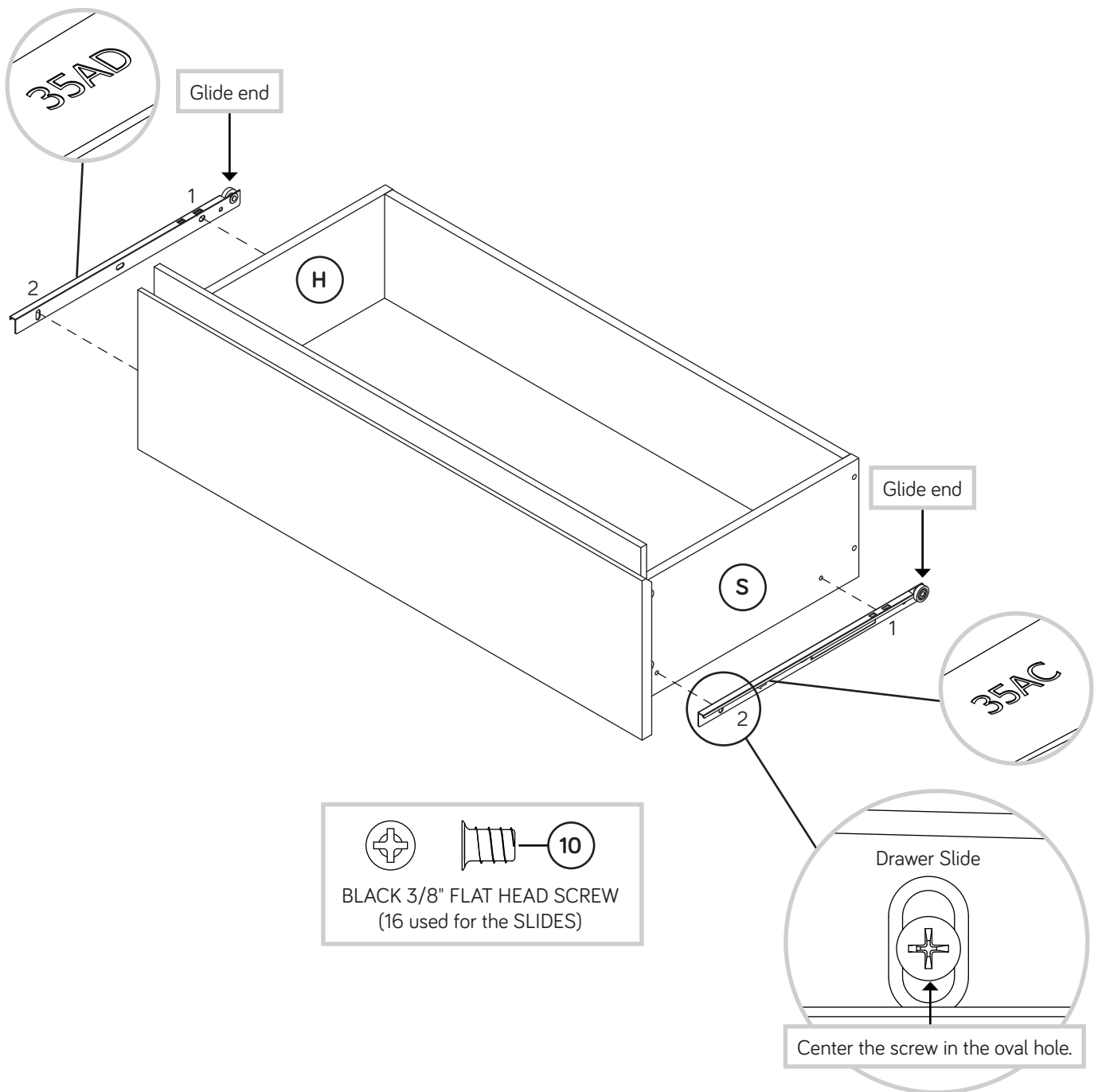


# Step 15

Fasten the DRAWER RIGHT (35AC) to the RIGHT DRAWER SIDE (S) and the DRAWER LEFT (35AD) to the LEFT DRAWER SIDE (H). Use four BLACK 3/8" FLAT HEAD SCREWS (10) through holes #1 and #2.



**NOTE:** The glides are not intended to rotate.

Repeat this step for the other drawers.

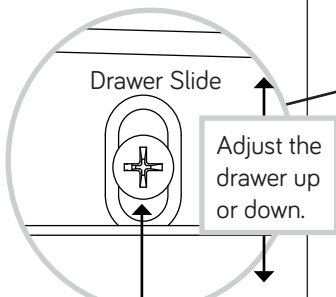
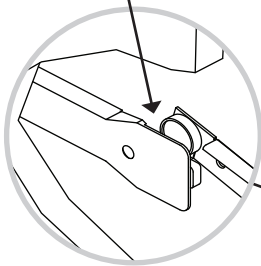


# Step 16

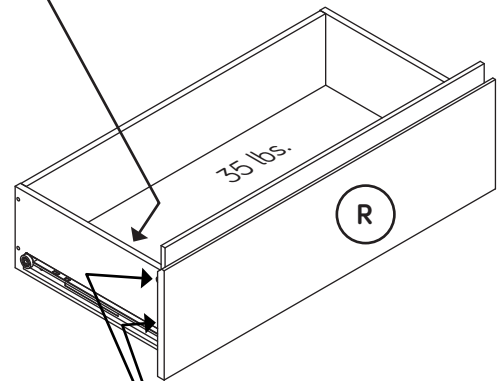
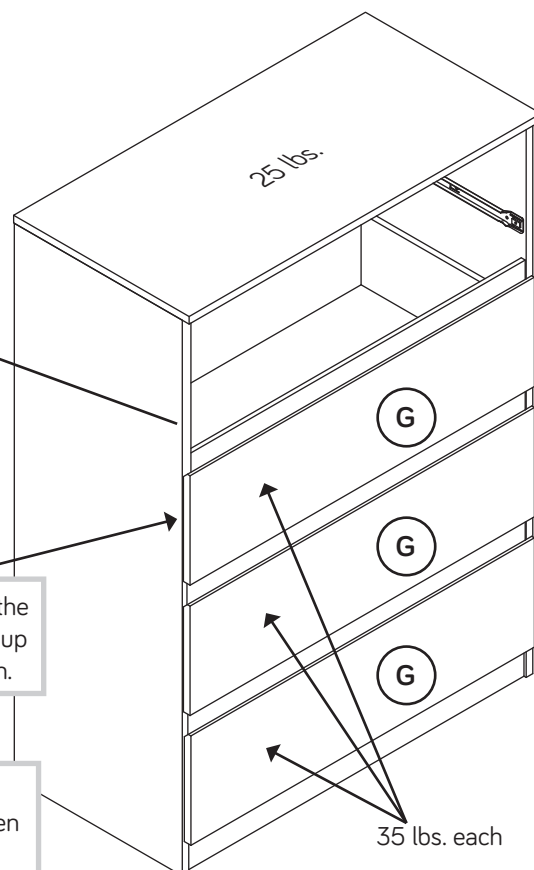
- ✦ Peel the APPLIQUES from the APPLIQUE CARDS (6) and stick them onto each visible HIDDEN CAM in the DRAWER SIDES.
- ✦ To insert the drawers into your unit, tip the front of the drawer down and drop the glides on the drawer behind the glides on the unit. Lift the front of the drawer up and slide it into the unit.
- ✦ NOTE: Please read the back pages of the instruction booklet for important safety information.
- ✦ This completes assembly. Clean with a damp cloth. Wipe dry.

<b>⚠ WARNING</b>	
	<p><b>Children have died from furniture tipover. To reduce the risk of furniture tipover:</b></p> <ul style="list-style-type: none"> <li>• ALWAYS install tipover restraint provided.</li> <li>• NEVER put a TV on this product.</li> <li>• NEVER allow children to stand, climb, or hang on drawers, doors, or shelves.</li> <li>• NEVER open more than one drawer at a time.</li> <li>• Place heaviest items in the lowest drawers.</li> </ul> <p>This is a permanent label. Do not remove!</p>
	
1/19	526118

Place the glide on the SLIDE behind the glide on the RAIL.



To adjust the DRAWER FRONT using the DRAWER SLIDE, loosen the SCREW in the oval hole, adjust the drawer up or down as needed, then tighten the SCREW.



(16 used)

6

To cover HIDDEN CAMS

**⚠ WARNING**

Please use your furniture correctly and safely. Improper use can cause safety hazards, or damage to your furniture or household items. Carefully read the following safety information.

Death or serious injury may occur when children climb on furniture. A remote control, toys or other items placed on the furniture may encourage a child to climb on the furniture which could cause it to tip-over and result in serious injury or death.

**NEVER** allow children to climb on furniture.

**NEVER** place toys, food, remote, etc. on top of furniture.

**ALWAYS** use either the safety hardware as instructed or other wall anchoring device.

Placing audio and/or video equipment onto furniture not specifically designed to support audio and/or video equipment may result in death or serious injury due to furniture collapse or tip over.

**NEVER** place a TV on furniture that is not intended to support a TV.

**This product is not designed to support a television unless a TV warning label is included and the instructions specifically state the size and weight of the television.**

Overloading drawers and shelves may result in furniture that can break or sag, or tip-over which may result in injury.

**NEVER** exceed the weight limits shown in the instructions.

Place the heavier items on lower shelves as far back from the front as possible.

Load the bottom surfaces first to avoid top-heavy furniture.

Moving furniture that is not designed to be moved or equipped with casters may result in injury or damage to furnishings or personal property.

**ALWAYS** unload shelves and drawers, starting with the top surfaces, before moving.

**NEVER** push or pull furniture on carpet. Have a friend help lift properly to move and/or reposition it.

!