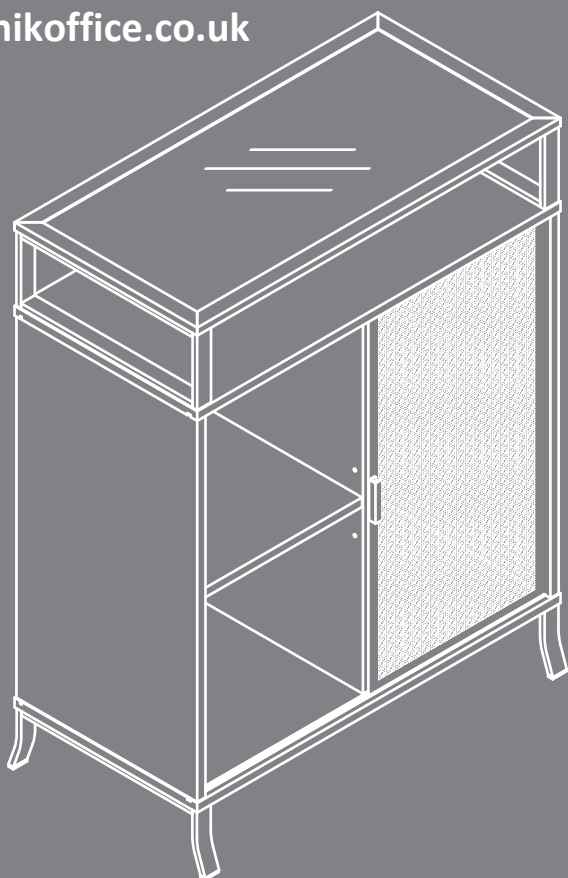


www.teknikoffice.co.uk



Teknik

For things 'n such.

Accent Storage Cabinet

City Center Collection | Model 5425655

NOTE: THIS INSTRUCTION BOOKLET CONTAINS **IMPORTANT** SAFETY INFORMATION.

PLEASE READ AND KEEP FOR FUTURE REFERENCE.

Table of Contents

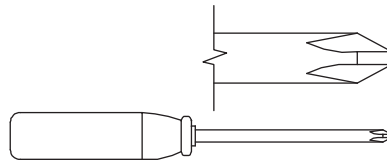
Assembly Tools Required

Part Identification 3

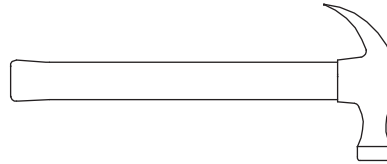
Hardware Identification 4

Assembly Steps 5-19

Safety 20



No. 2 Phillips Screwdriver
Tip Shown Actual Size



Hammer
Not actual size 😊

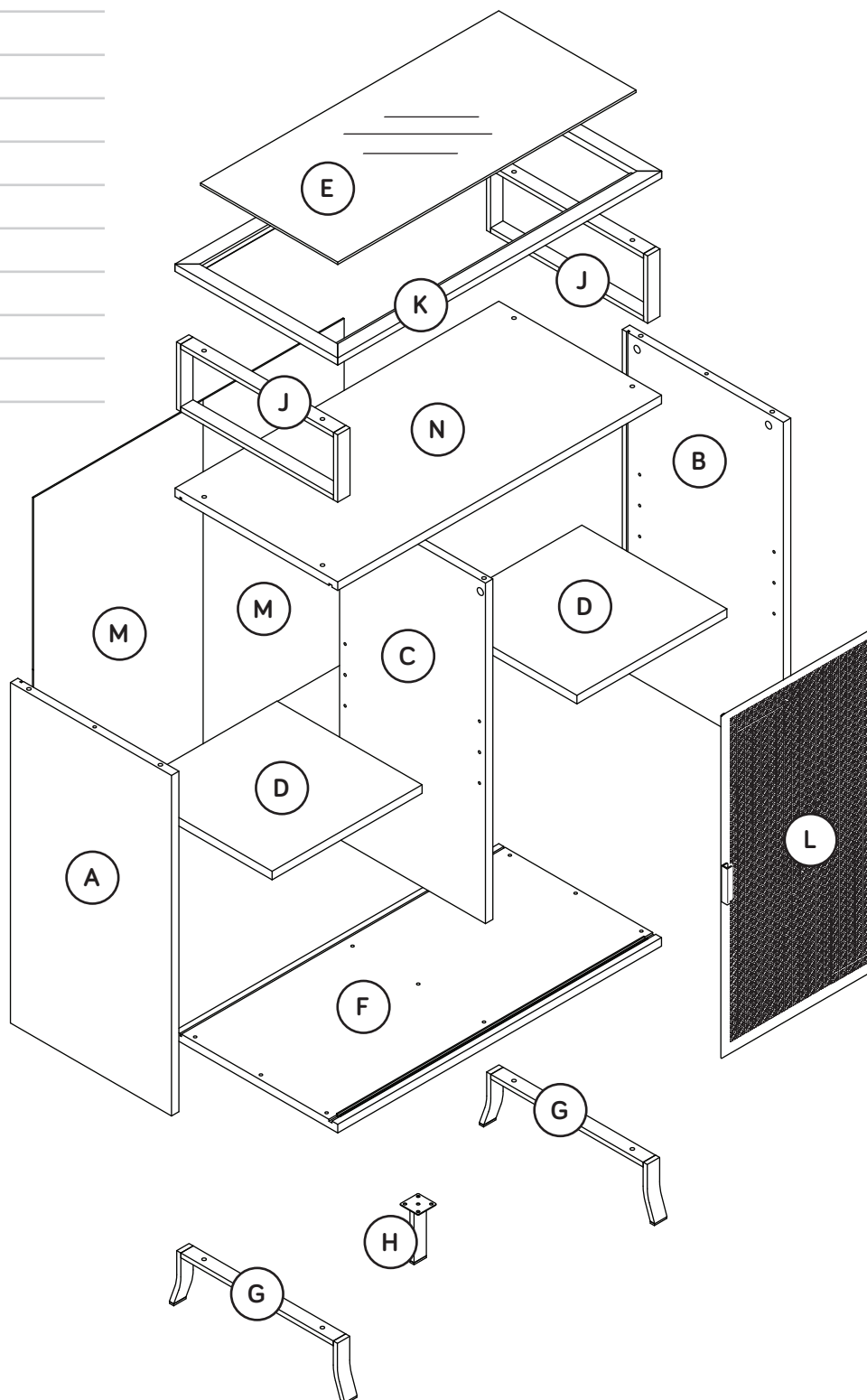
Part Identification

Now you know
our ABCs.



While not all parts are labeled, some of the parts will have a label or an inked letter on the edge to help distinguish similar parts from each other. Use this part identification to help identify similar parts.

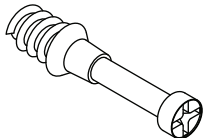
A	LEFT END (1)
B	RIGHT END (1)
C	UPRIGHT (1)
D	ADJUSTABLE SHELF (2)
E	GLASS TOP (1)
F	BOTTOM (1)
G	LEG (2)
H	FOOT (1)
J	FRAME (2)
K	GLASS FRAME (1)
L	DOOR (1)
M	BACK (2)
N	SHELF (1)



Hardware Identification

† Screws are shown actual size. You may receive extra hardware with your unit.

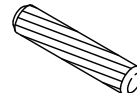
1 CAM SCREW - 6



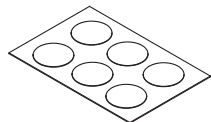
2 HIDDEN CAM - 6



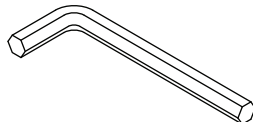
3 WOOD DOWEL - 6



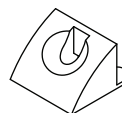
4 APPLIQUE CARD - 1



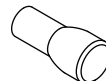
5 L-WRENCH - 1



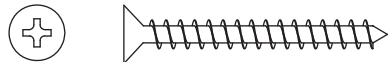
6 BACK CONNECTOR - 6



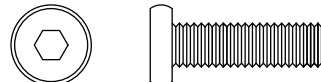
11 SHELF PIN - 8



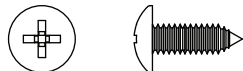
7 1-3/8" FLAT HEAD SCREW - 6



8 13/16" HEX HEAD SCREW - 12



9 1/2" PAN HEAD SCREW - 4



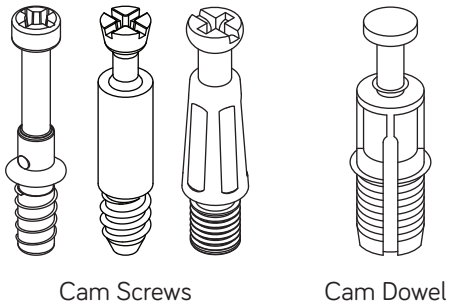
10 5/8" FLAT HEAD SCREW - 6



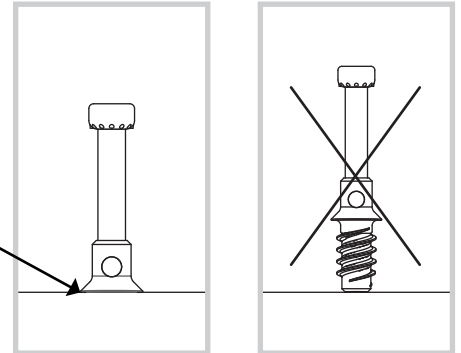
Hardware Usage Guide

HOW TO USE A HIDDEN CAM & CAM SCREW OR CAM DOWEL

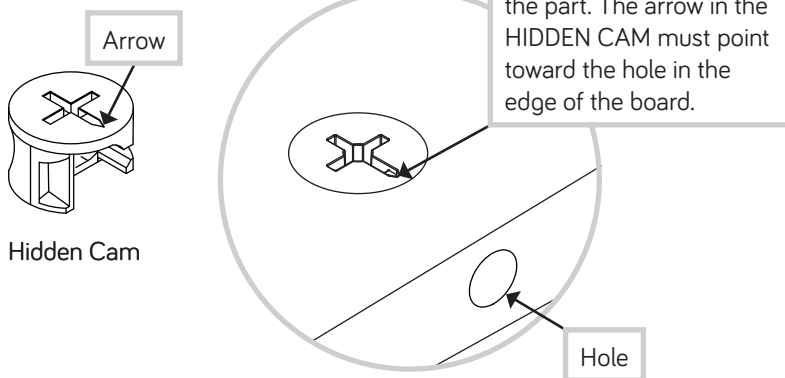
1. NOTE: Various CAM SCREWS or a CAM DOWEL may be used.



Turn the CAM SCREW or gently tap the CAM DOWEL until the shoulder is against the surface of the part.

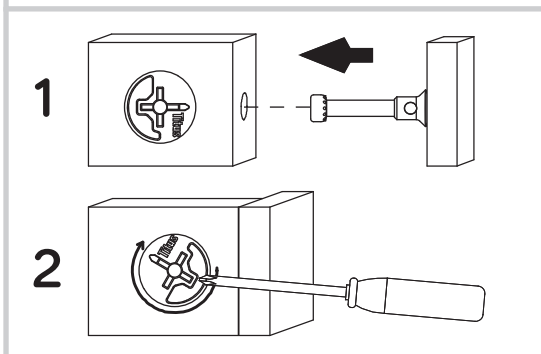


2.



3.

Insert the CAM SCREW or CAM DOWEL into the HIDDEN CAM. Tighten the HIDDEN CAM.

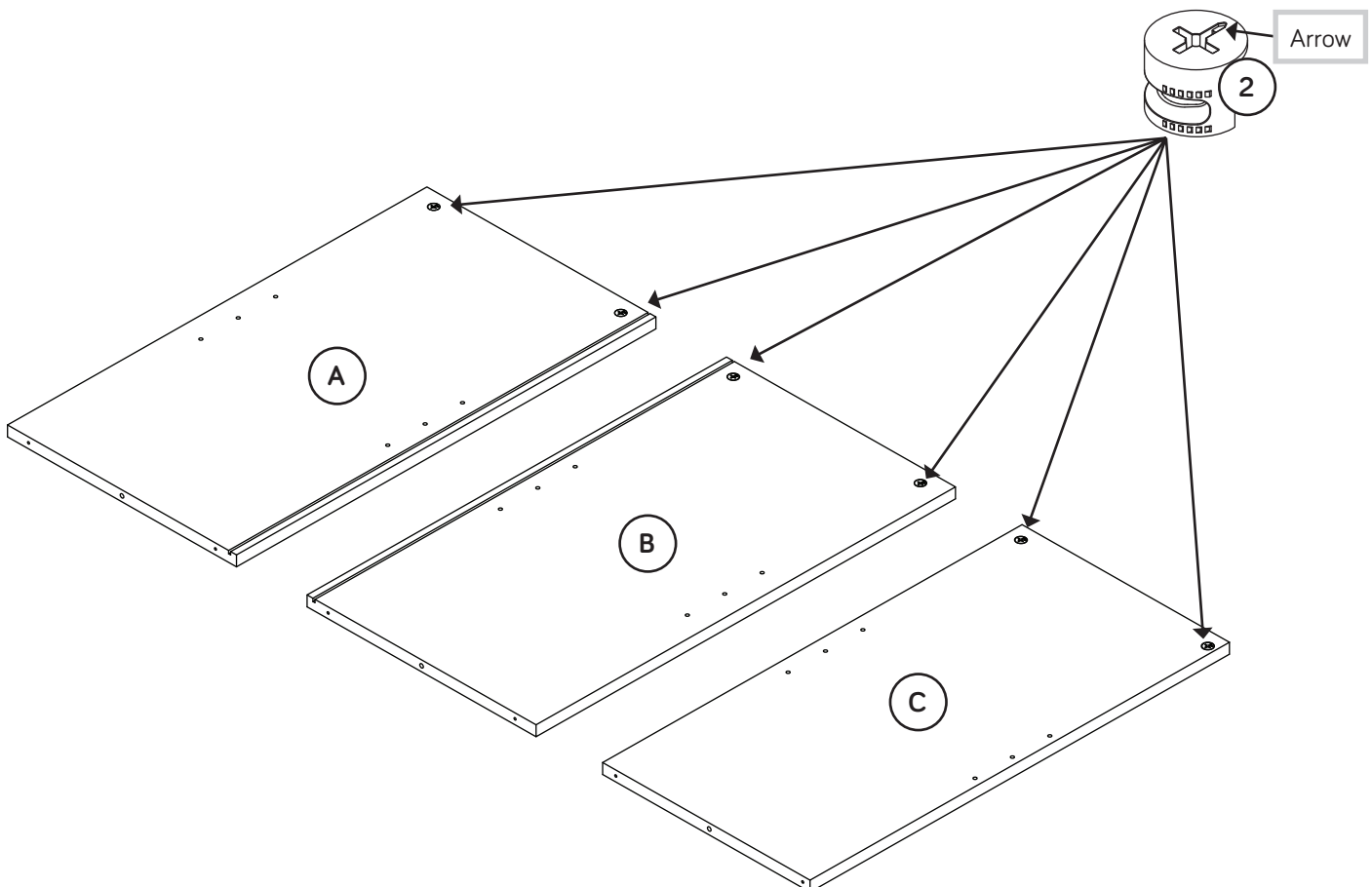


Step 1

- ✚ Assemble your unit on a carpeted floor or on the empty carton to avoid scratching your unit or the floor.
- ✚ Push six HIDDEN CAMS (2) into the ENDS (A and B) and UPRIGHT (C).

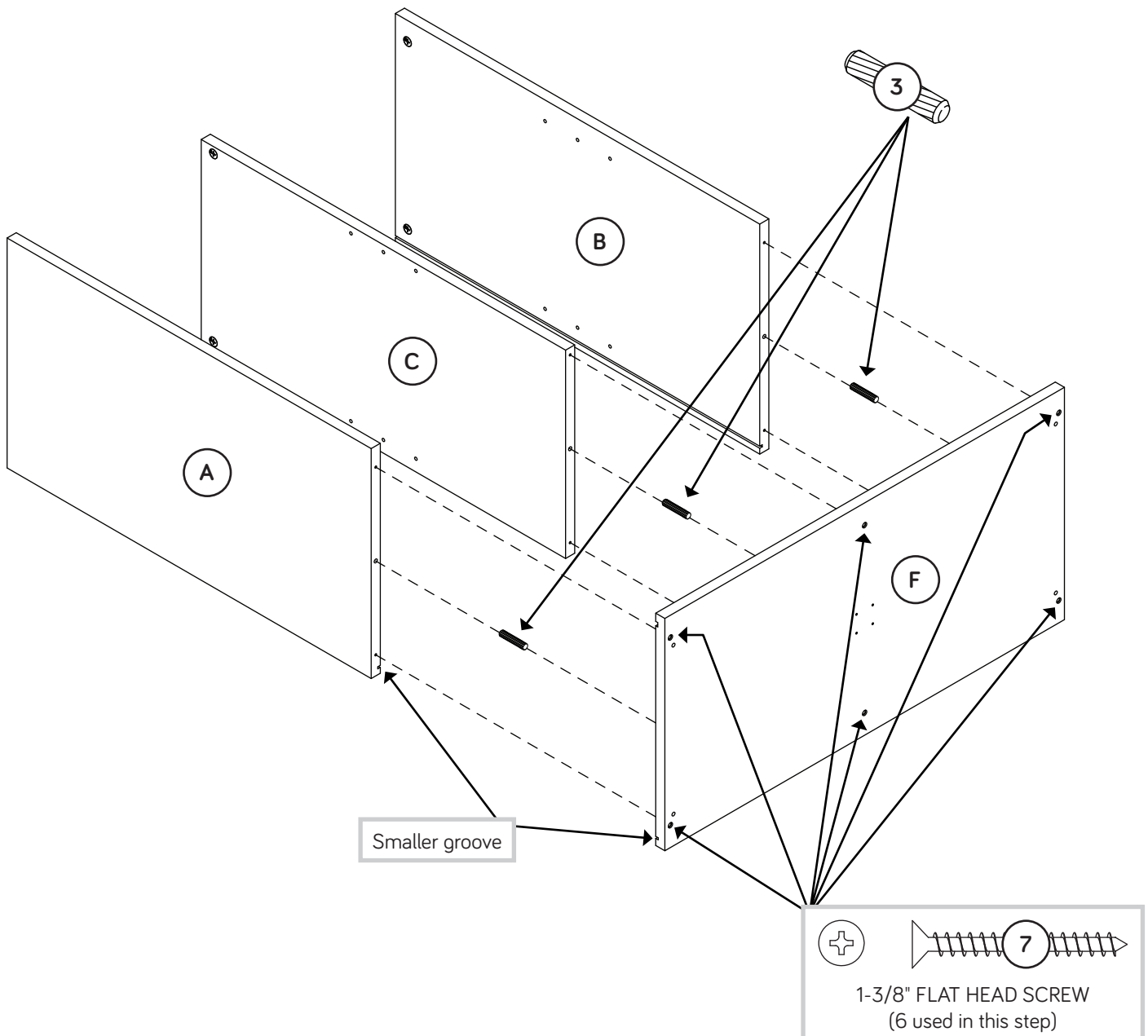


Just think. The sooner you do this, the sooner you do something else.



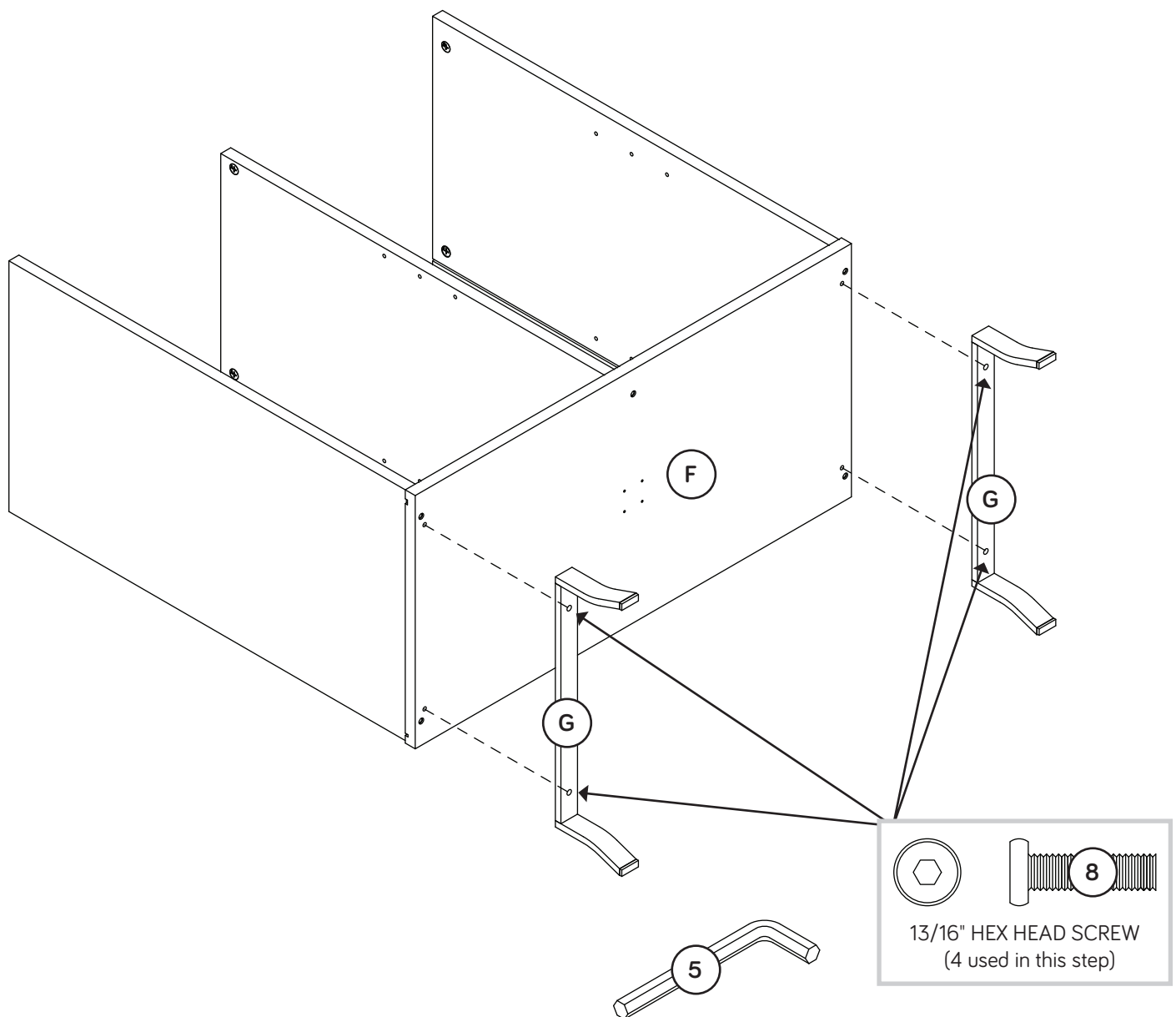
Step 2

- 🔩 **NOTE:** Pay close attention to the position of the BOTTOM (F) in this step.
- 🔩 Insert three WOOD DOWELS (3) into the ENDS (A and B) and UPRIGHT (C).
- 🔩 Fasten the BOTTOM (F) to the ENDS (A and B) and UPRIGHT (C). Use six 1-3/8" FLAT HEAD SCREWS (7).
- 🔩 **NOTE:** You should start each SCREW a few turns before completely tightening any of them.
- 🔩 **NOTE:** Be sure the WOOD DOWELS in the ENDS and UPRIGHT insert into the BOTTOM.



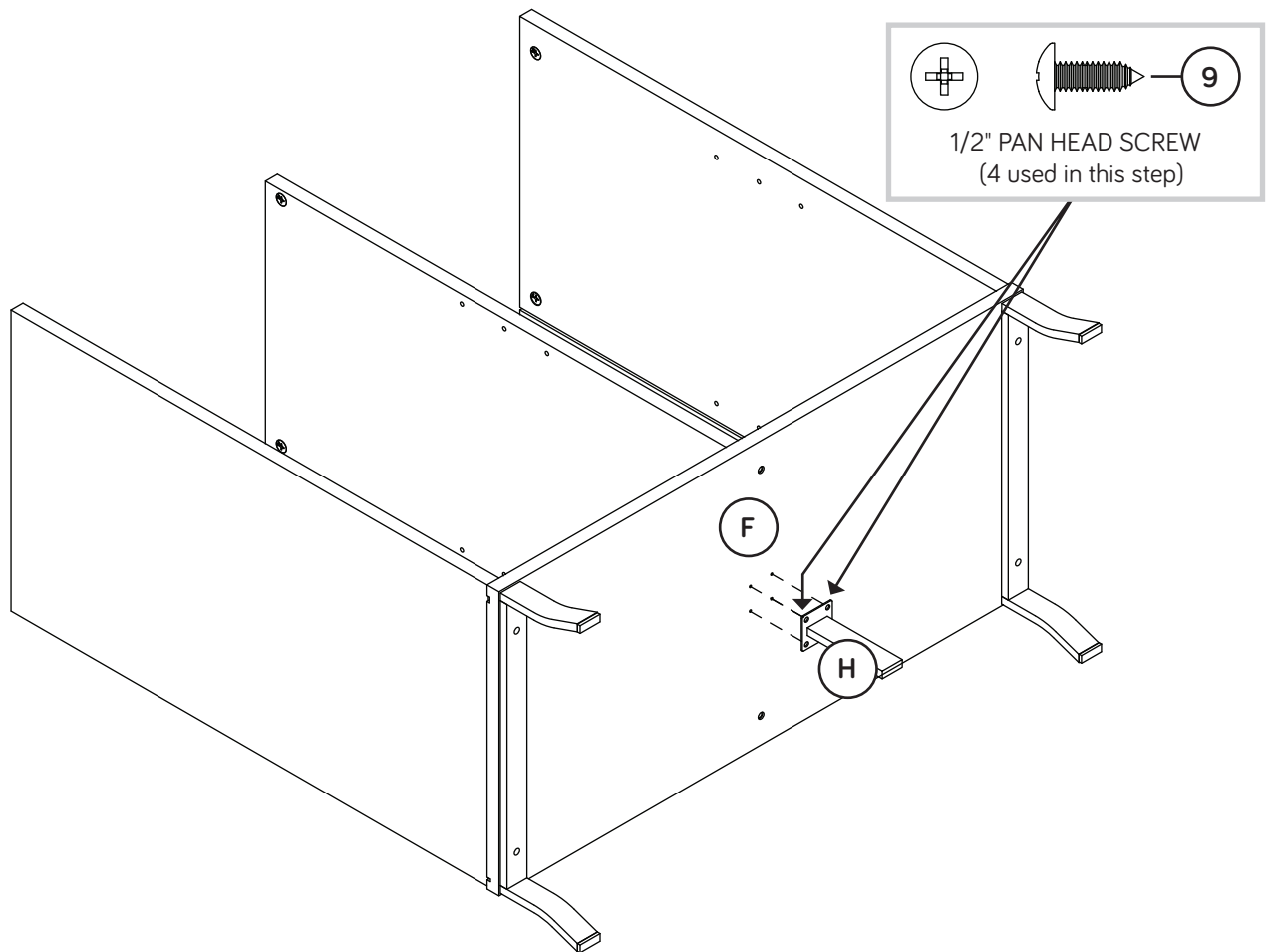
Step 3

- Fasten the LEGS (G) to the BOTTOM (F). Tighten four 13/16" HEX HEAD SCREWS (8) using the L-WRENCH (5).



Step 4

- Fasten the FOOT (H) to the BOTTOM (F) exactly as shown. Use four 1/2" PAN HEAD SCREWS (9).

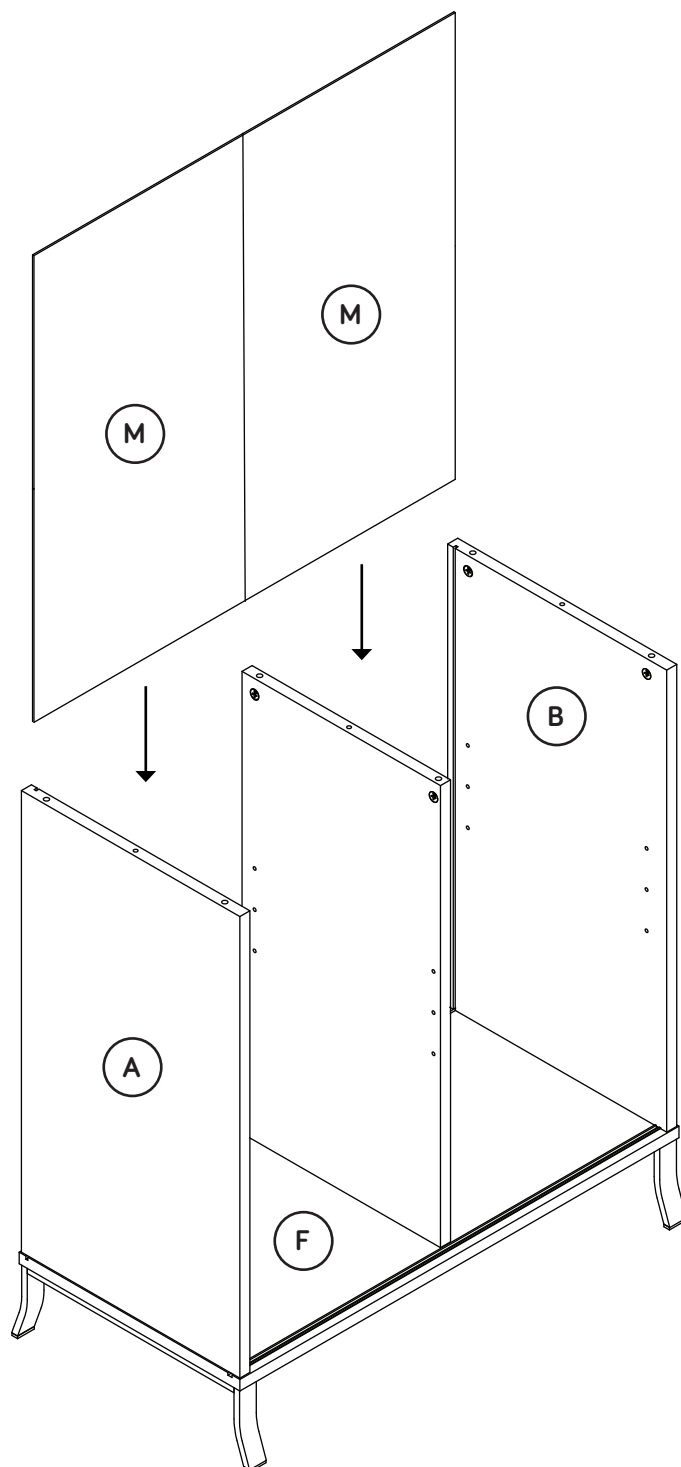


Step 5

- ⚡ Carefully stand your unit upright.
- ⚡ Insert the BACKS (M) into the grooves in the ENDS (A and B) and BOTTOM (F).

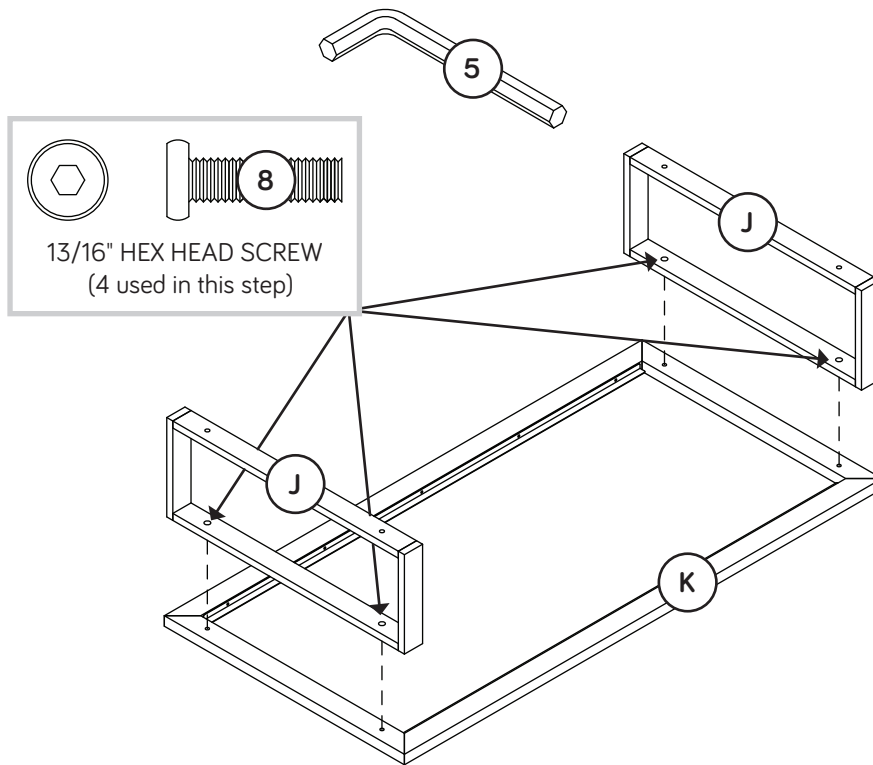


Don't worry. It isn't Rome. This can be built in a day.



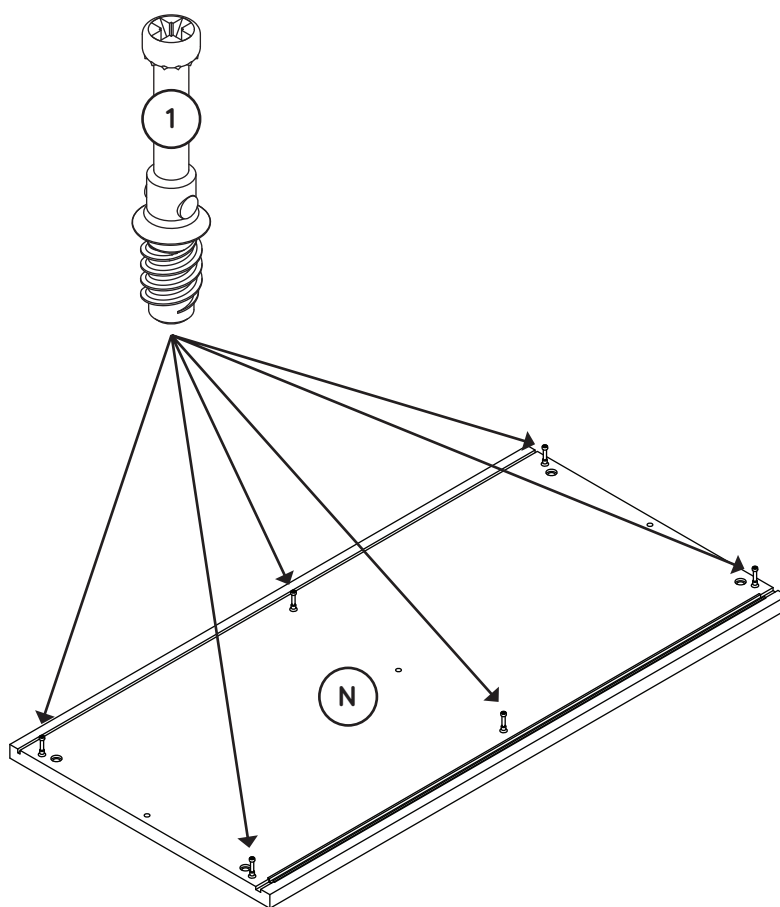
Step 6

- Fasten the FRAMES (J) to the GLASS FRAME (K). Tighten four 13/16" HEX HEAD SCREWS (8) using the L-WRENCH (5).



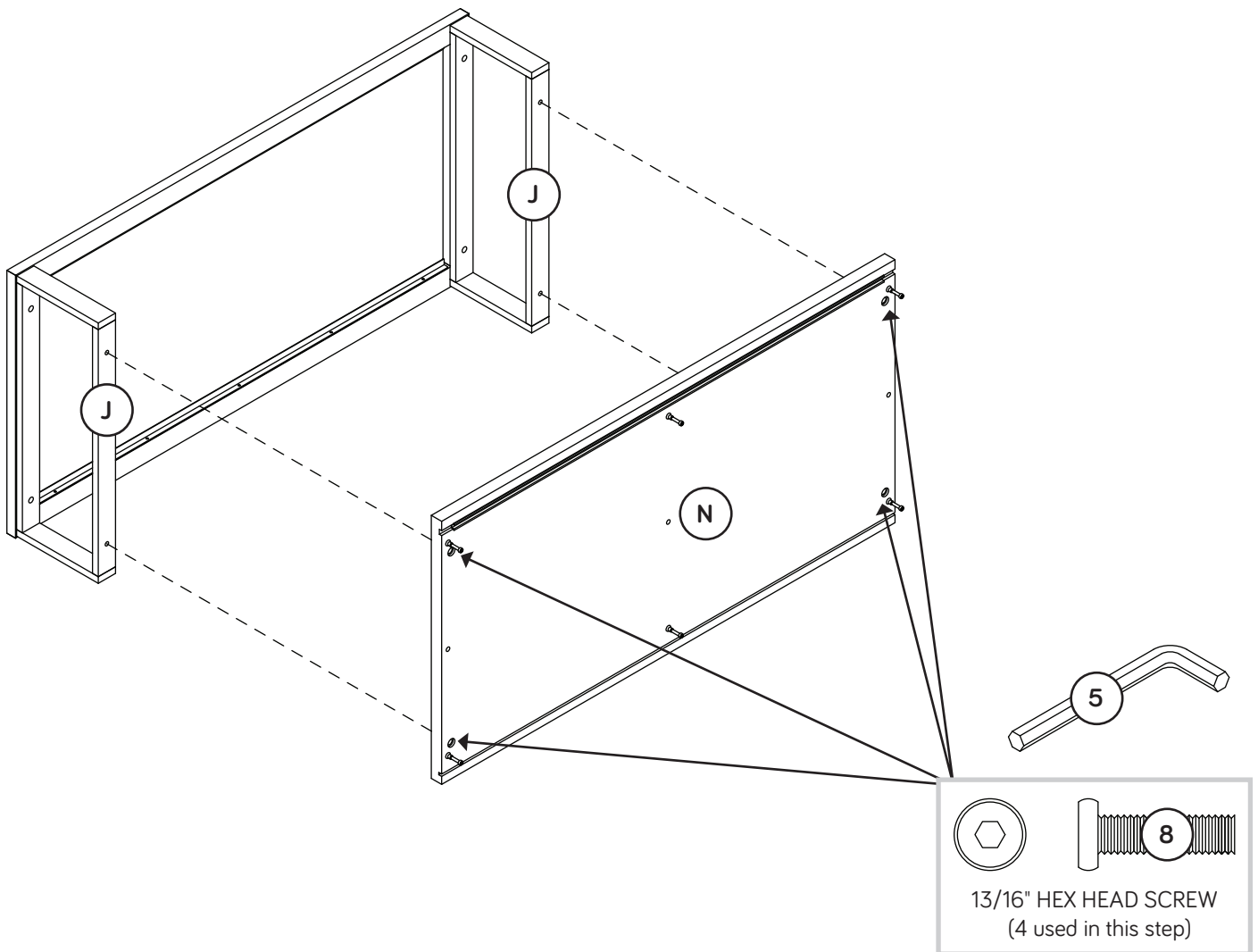
Step 7

✚ Turn six CAM SCREWS (1) into the SHELF (N).



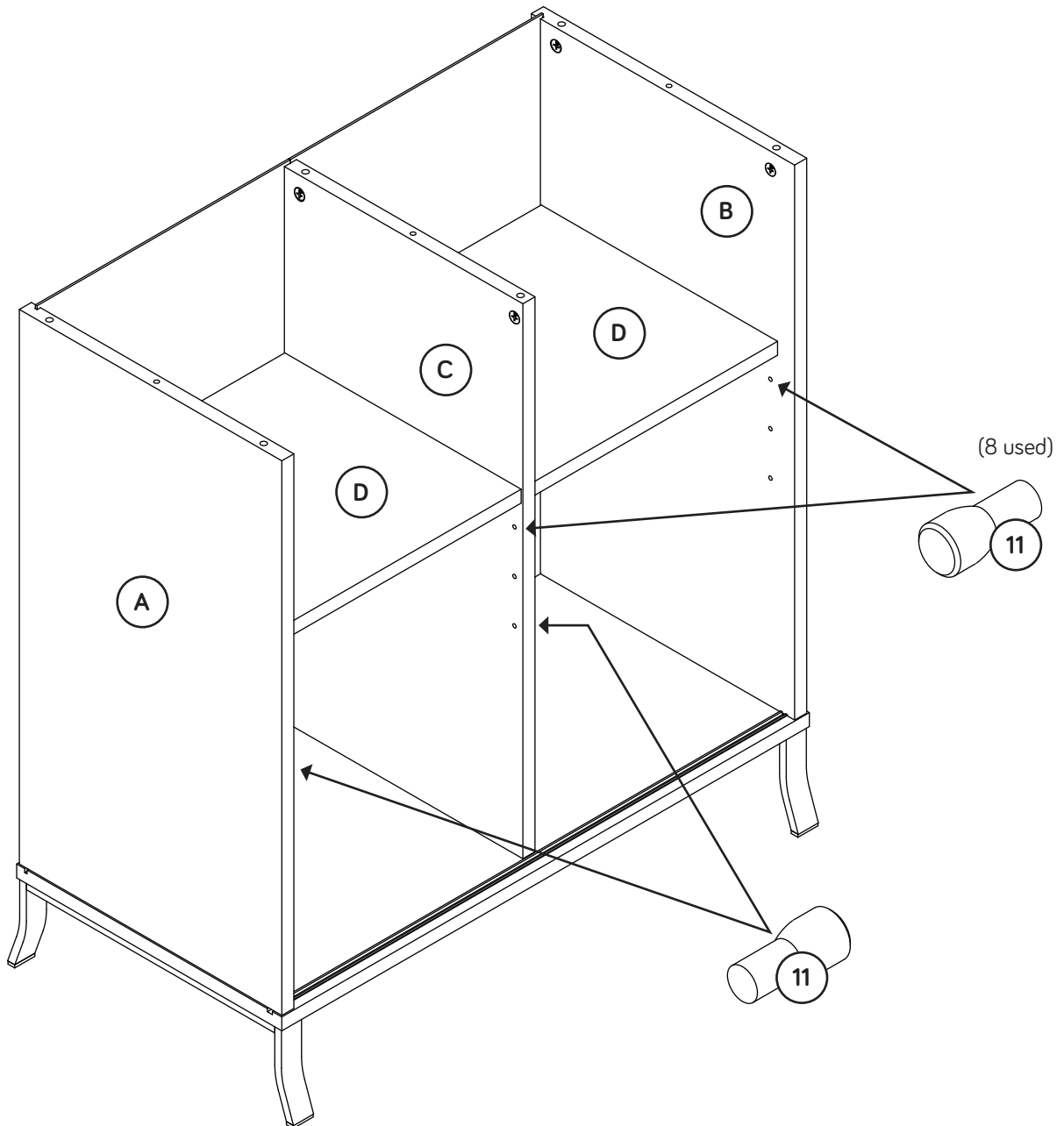
Step 8

- Fasten the SHELF (N) to the FRAMES (J). Tighten four 13/16" HEX HEAD SCREWS (8) using the L-WRENCH (5).



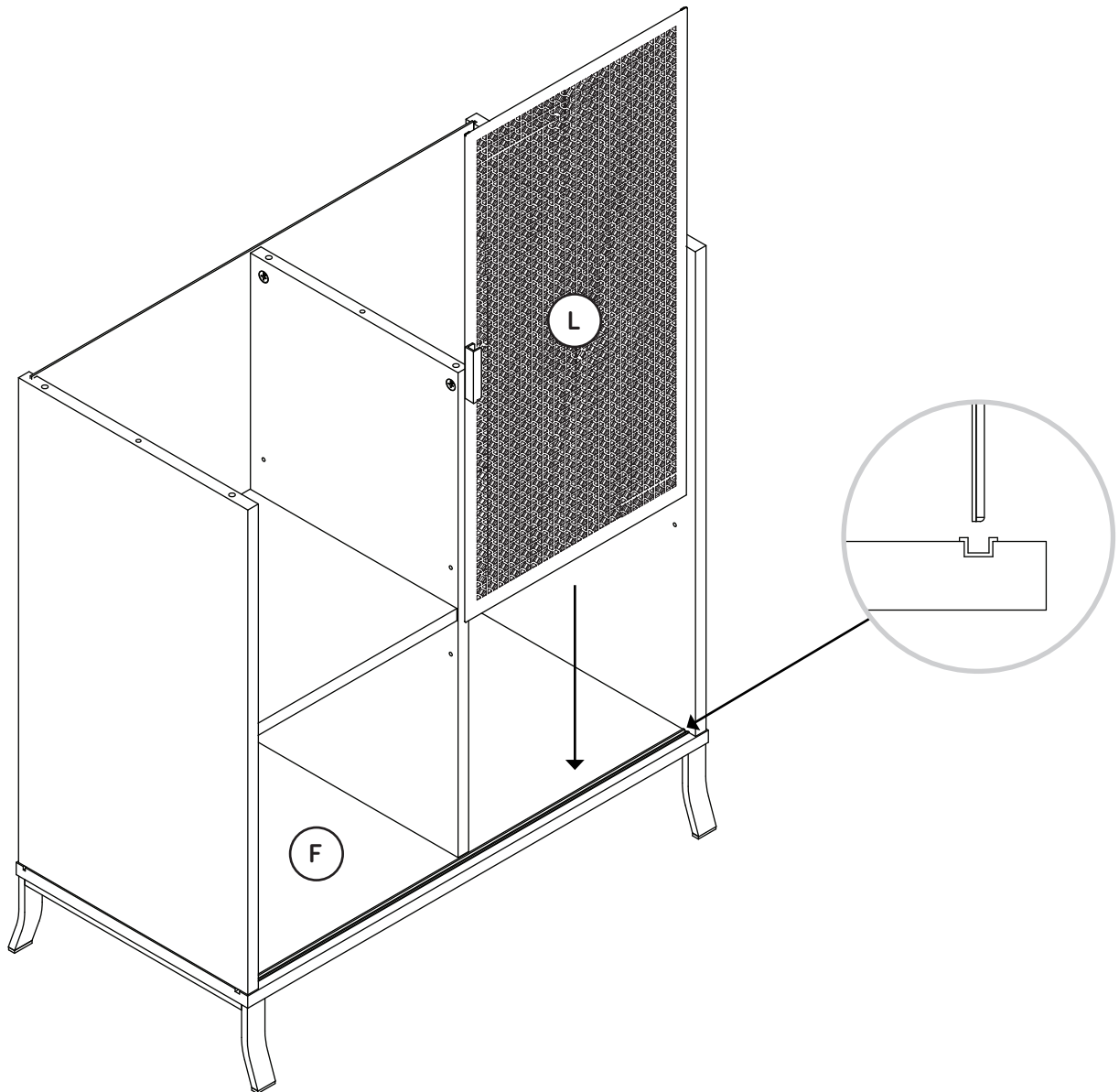
Step 9

- ✦ Insert the SHELF PINS (11) into the hole locations of your choice in the ENDS (A and B) and UPRIGHT (C). Set the ADJUSTABLE SHELVES (D) onto the SHELF PINS.



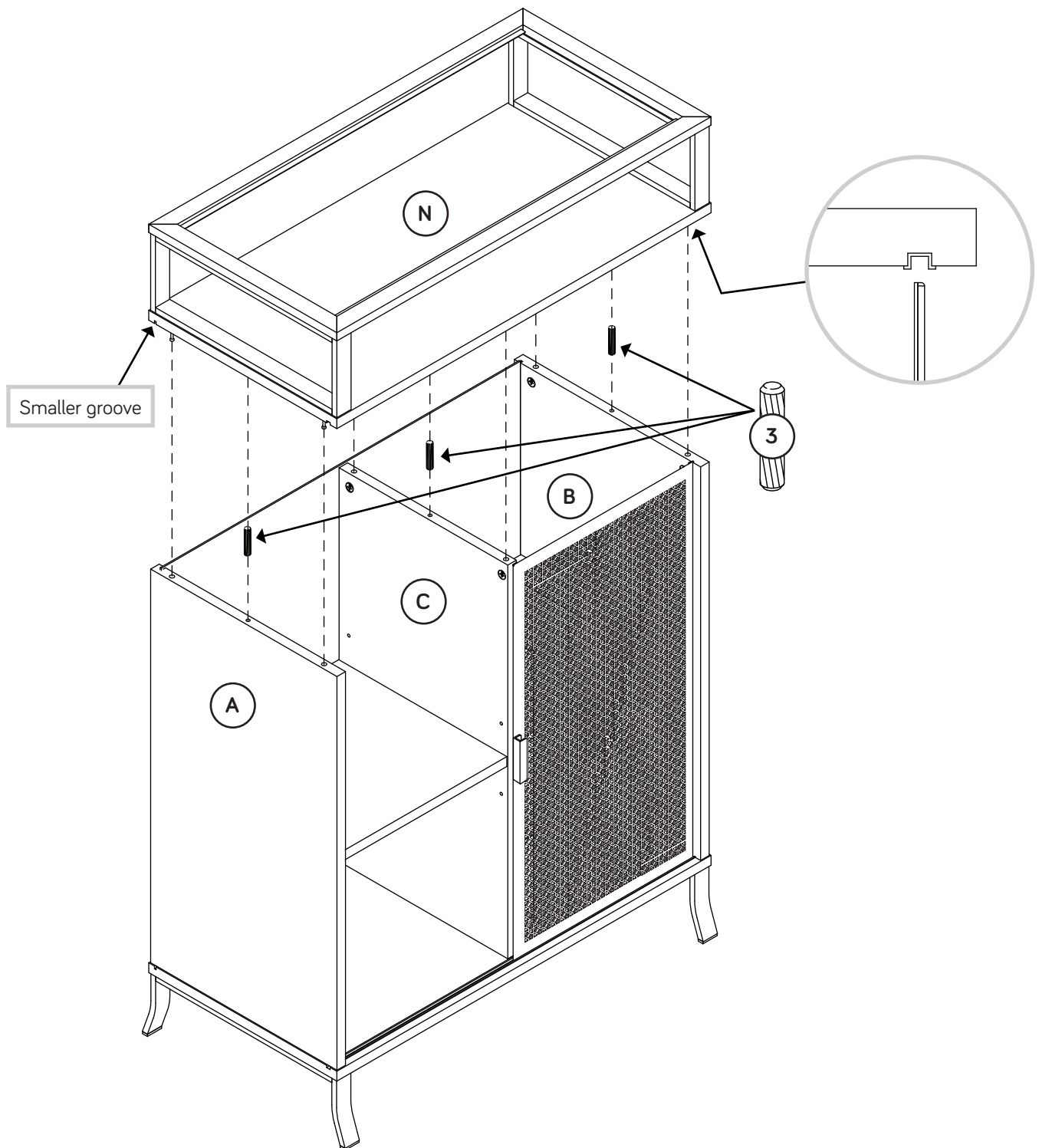
Step 10

✚ Insert the DOOR (L) into the track in the BOTTOM (F).



Step 11

- ✚ Insert three WOOD DOWELS (3) into the ENDS (A and B) and UPRIGHT (C).
- ✚ Fasten the SHELF (N) to the ENDS (A and B) and UPRIGHT (C). Tighten six HIDDEN CAMS.
- ✚ NOTE: Be sure the WOOD DOWELS in the ENDS and UPRIGHT insert into the SHELF.
- ✚ NOTE: Be sure the BACKS insert into the smaller groove in the SHELF, and the DOOR inserts into the track in the SHELF.

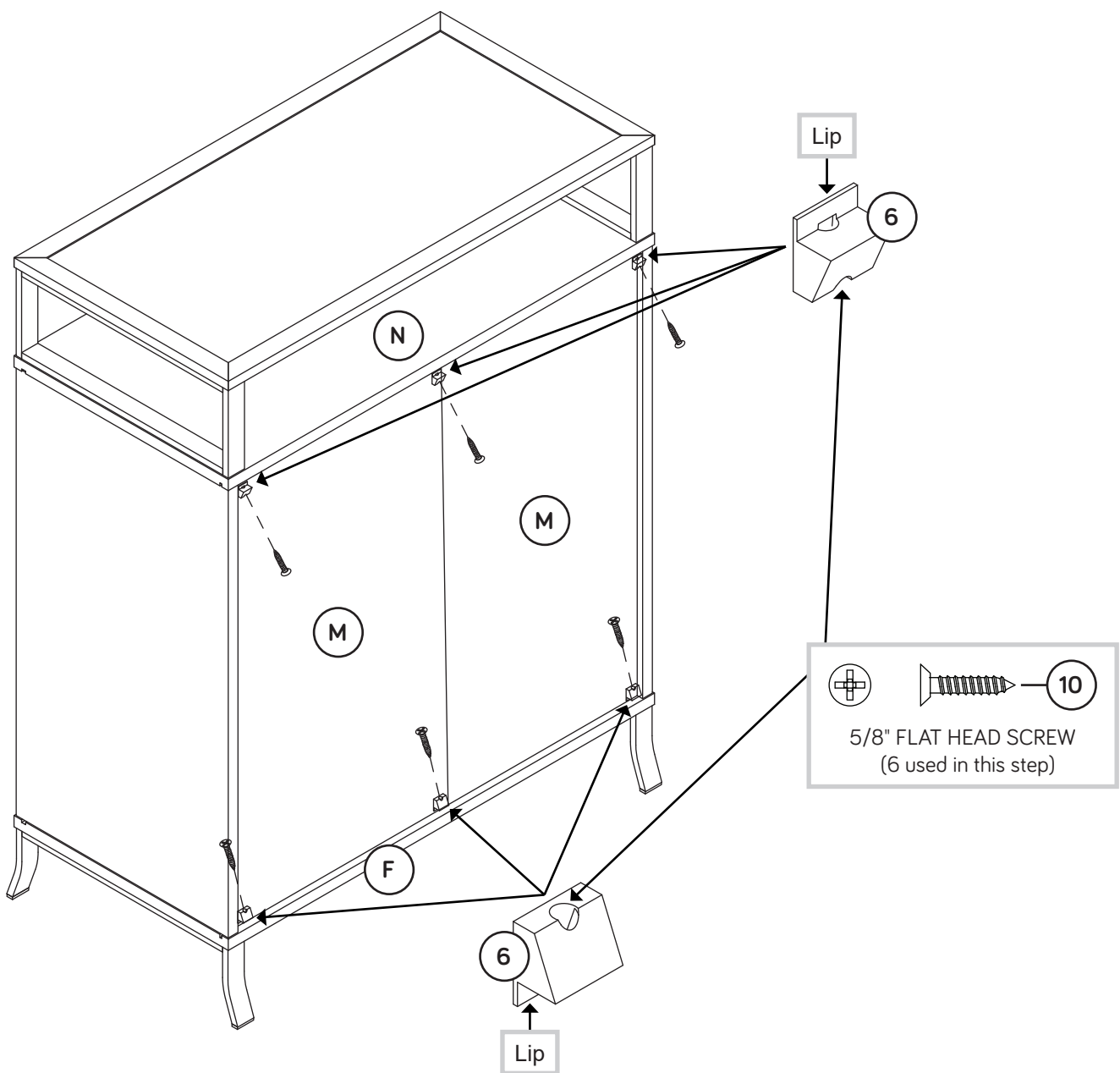


Step 12

- ✚ Insert the lip of each BACK CONNECTOR (6) into the grooves in the BOTTOM (F) and SHELF (N) as shown. You may need to gently tap them in with your hammer.
- ✚ Fasten the BACK CONNECTORS (6) to the BOTTOM (F) and SHELF (N). Use six 5/8" FLAT HEAD SCREWS (10).



If you're doing this to help a friend, don't leave without a bite.




Step 13

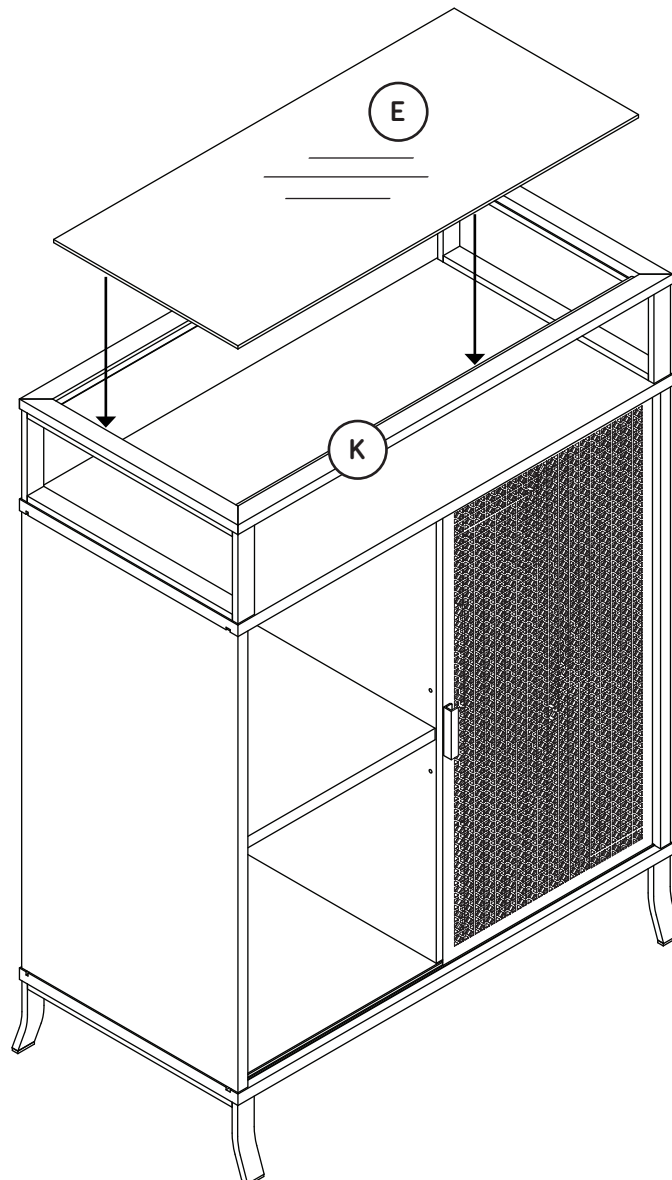
Caution

Tempered safety glass is used. It is stronger than normal glass, and it will not break into long, sharp, knife-like shards. However, safety glass **can break**. When safety glass breaks, it instantly fractures into small, bead-like pieces. These small pieces may have sharp edges.

For your safety, follow these precautions when you assemble your product:

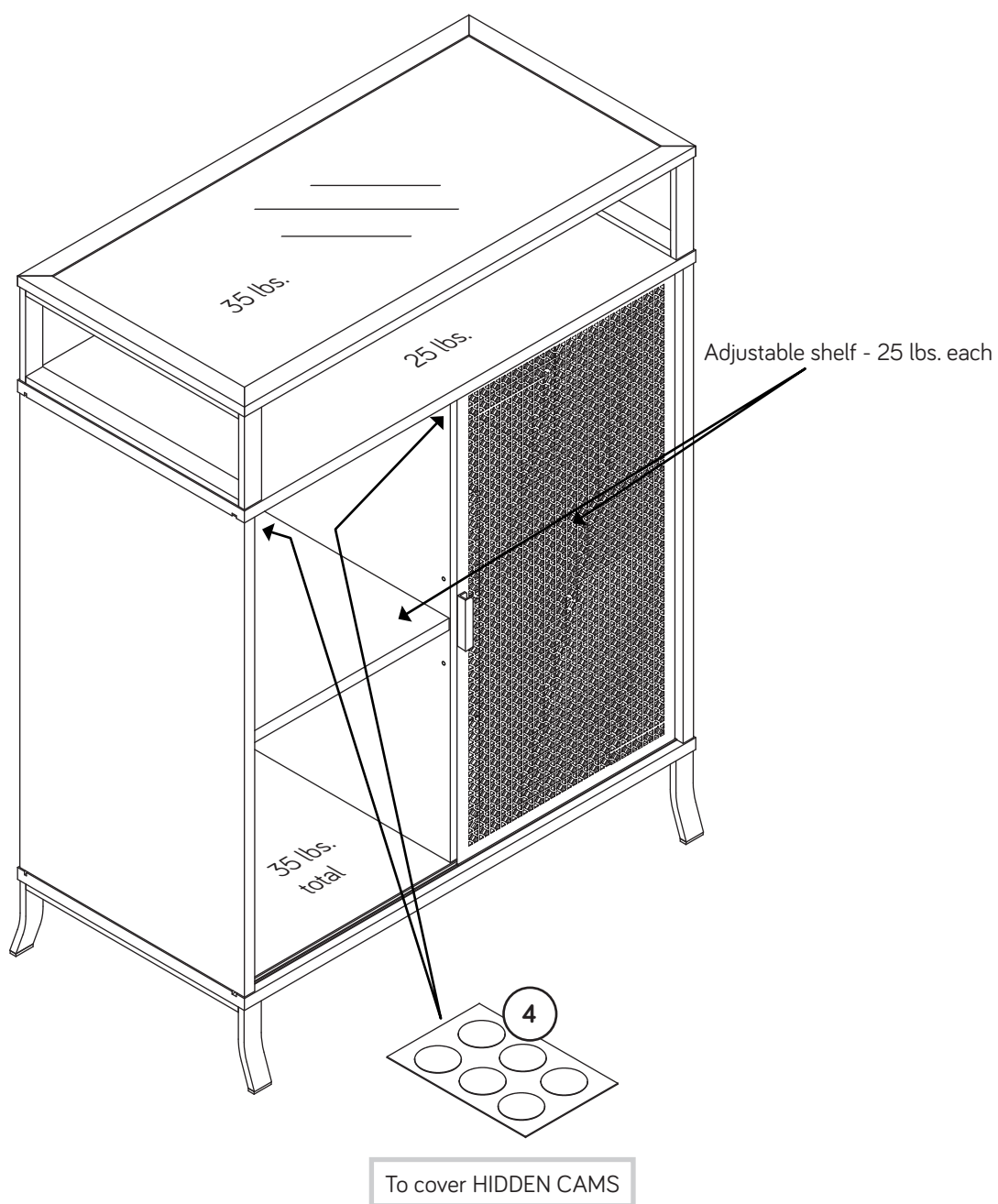
- Wear safety glasses or other eye protection.
- Do not try to drill into or cut safety glass. It will instantly break into small pieces.
- Do not force the glass into position.
- If the glass breaks, be careful when you pick up the pieces. They may have sharp edges.

 Carefully set the GLASS TOP (E) onto the GLASS FRAME (K).



Step 14

- ✦ Peel APPLIQUES from the APPLIQUE CARDS (4) and stick them onto each visible HIDDEN CAM.
- ✦ NOTE: Please read the back pages of the instruction booklet for important safety information.
- ✦ This completes assembly. Clean with a damp cloth. Wipe dry.



⚠ WARNING

Please use your furniture correctly and safely. Improper use can cause safety hazards, or damage to your furniture or household items. ***Carefully read the following chart.***

Look out for:	What can happen:	How to avoid the problem:
<ul style="list-style-type: none">Overloaded shelves.	<ul style="list-style-type: none">Risk of injury.Top-heavy furniture can tip over.Overloaded shelves can break.	<ul style="list-style-type: none">Never exceed the weight limits shown in the instructions.Work from bottom to top when loading shelves. Place the heavier items on the lower shelves.
<ul style="list-style-type: none">Placing TVs on furniture items that are not designed to support a television is hazardous.	<ul style="list-style-type: none">Risk of injury or death. TVs can be very heavy. Plus the weight and location of the picture tube tends to make TVs unbalanced and prone to tipping forward.	<ul style="list-style-type: none">This product is not designed to support a television.