

Smart **stand**  
for the idiot  
box.

## TV Unit

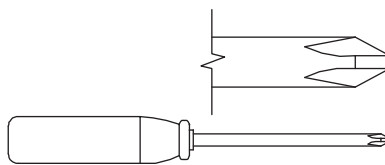
Canyon Lane | **Model 5425302**

**NOTE:** THIS INSTRUCTION  
BOOKLET CONTAINS  
**IMPORTANT** SAFETY  
INFORMATION.  
PLEASE READ AND KEEP  
FOR FUTURE REFERENCE.

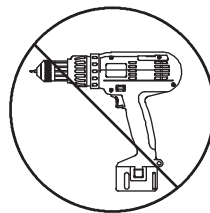
# Table of Contents

# Assembly Tools Required

Part Identification	3
Hardware Identification	4
Assembly Steps	5-18
Français	19-21
Español	22-24
Safety	25-26
Warranty	27



No. 2 Phillips Screwdriver  
Tip Shown Actual Size

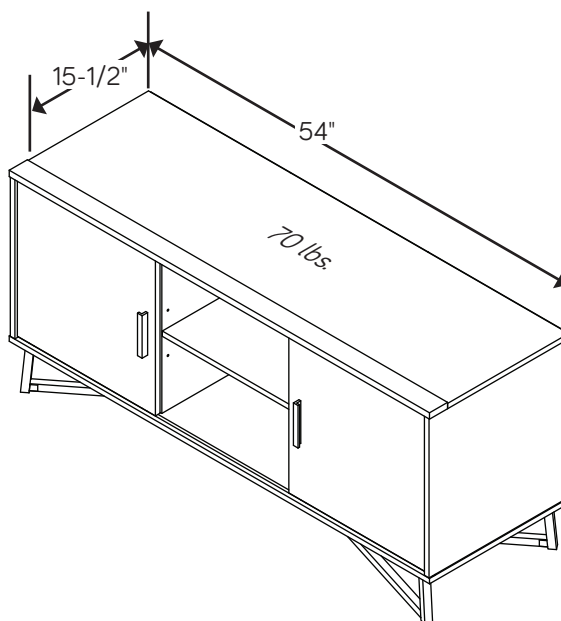


Skip the power trip.  
This time.

## ⚠ WARNING

Use of a TV that is too heavy or large is hazardous. A TV that is too heavy will create a risk of a tip-over that can cause severe injury or death. A TV that is too large for the available space might be accidentally pushed or bumped off the furniture, or subject to tip-over.

- Check the size and weight of your TV. Compare it to the diagram below – **before you begin assembly!**
- This Sauder unit is designed for use with flat panel televisions weighing less than 70 pounds. **Never** use with a TV that weighs more.
- The size of the television, front-to-back and side-to-side, must fit within the space defined in the diagram.
  - **Never** place the front edge of the TV past the front edge of the TV support shelf (or stop molding – if equipped)
  - **Never** allow the sides of the TV to extend past the side edges of the TV support surface.
- Be sure to apply the warning label as instructed later in the assembly. The label provides important safety related information.



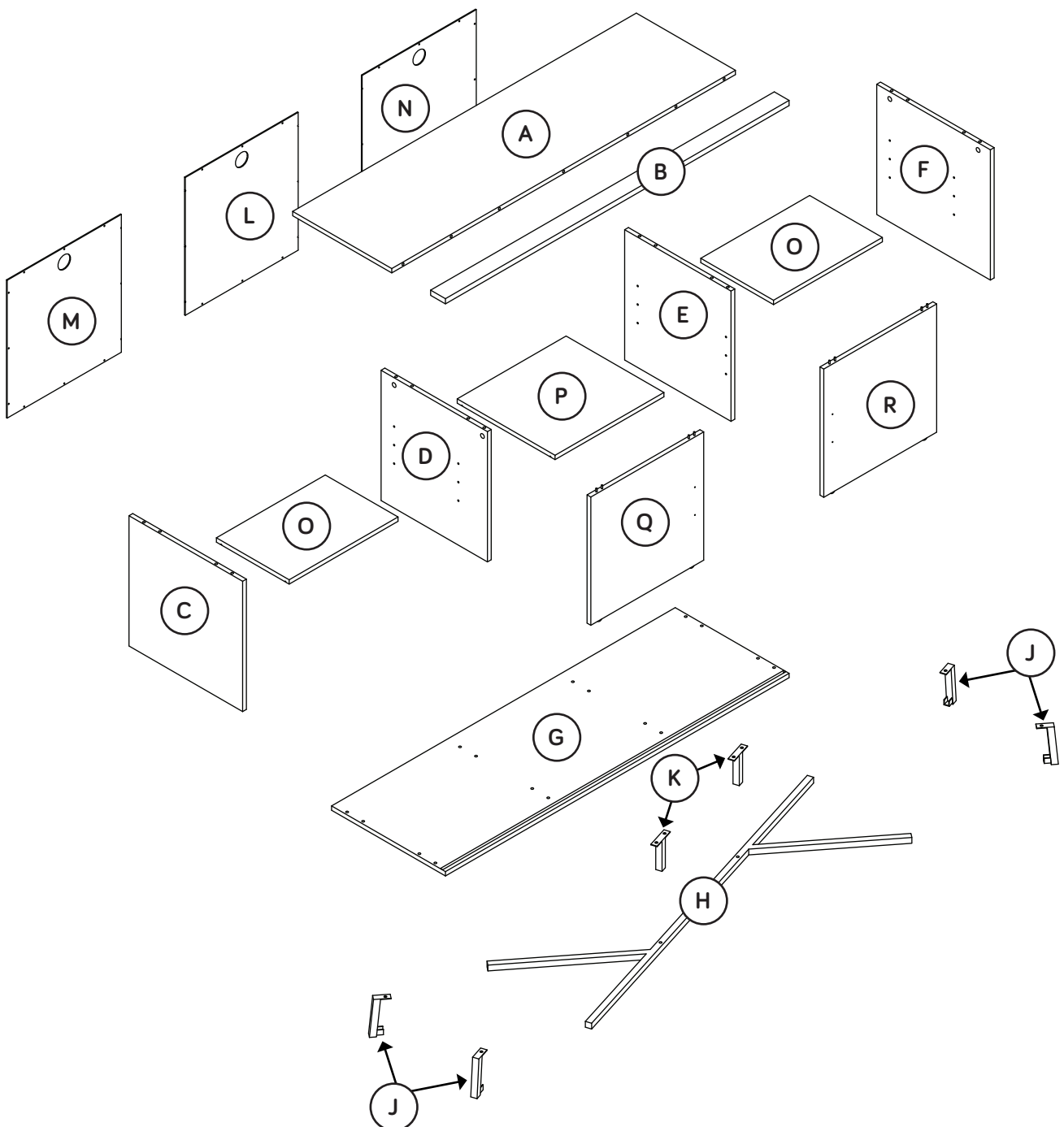
# Part Identification

Now you know  
our ABCs.



While not all parts are labeled, some of the parts will have a label or an inked letter on the edge to help distinguish similar parts from each other. Use this part identification to help identify similar parts.

A	TOP (1)	G	BOTTOM (1)	N	RIGHT BACK (1)
B	STOP MOLDING (1)	H	BASE (1)	O	SMALL ADJUSTABLE SHELF (2)
C	LEFT END (1)	J	LEG (4)	P	LARGE ADJUSTABLE SHELF (1)
D	LEFT UPRIGHT (1)	K	FOOT (2)	Q	LEFT DOOR (1)
E	RIGHT UPRIGHT (1)	L	CENTER BACK (1)	R	RIGHT DOOR (1)
F	RIGHT END (1)	M	LEFT BACK (1)		



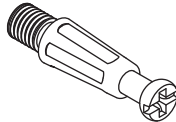
# Hardware Identification

↑ Screws are shown actual size. You may receive extra hardware with your unit.

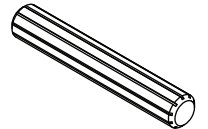
1 HIDDEN CAM - 16



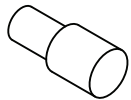
2 CAM SCREW - 8



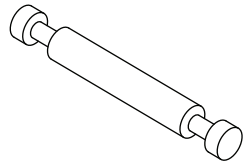
3 WOOD DOWEL - 19



4 SHELF PIN - 12



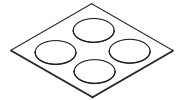
5 BI-CAM DOWEL - 4



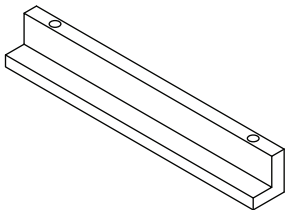
6 FELT DISC - 2



7 APPLIQUE CARD - 2



8 PULL - 2

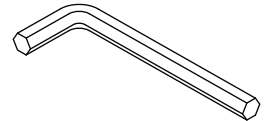


9 WARNING LABEL - 1

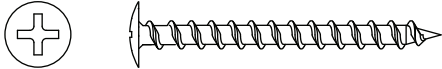


(Refer to Step 12 for proper location and application)

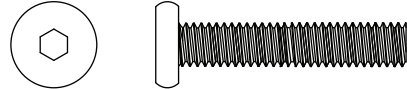
10 L-WRENCH - 1



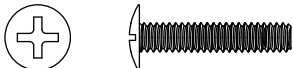
11 BLACK 1-9/16" PAN HEAD SCREW - 8



12 BLACK 1-3/16" HEX HEAD SCREW - 2



13 BLACK 3/4" MACHINE SCREW - 4



14 BLACK 1/2" HEX HEAD SCREW - 12

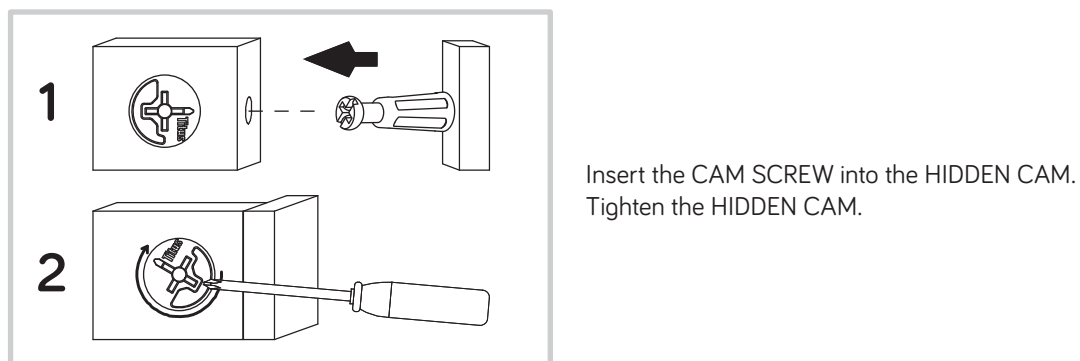
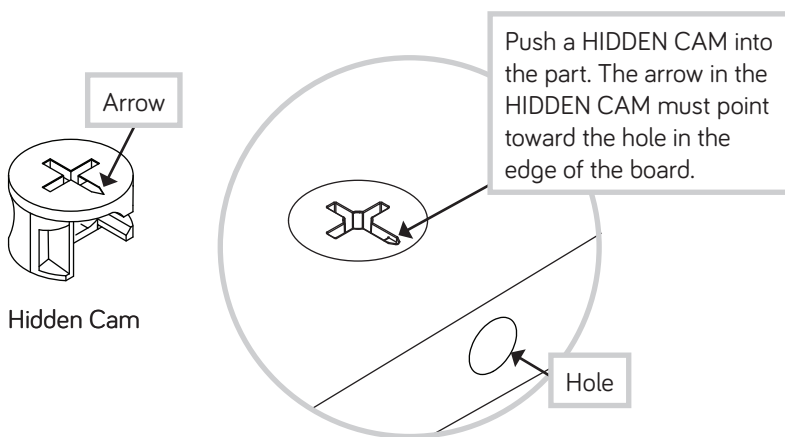
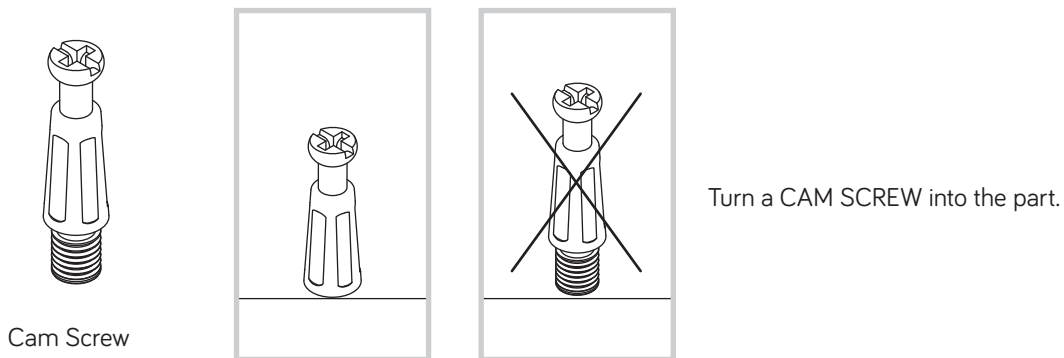


15 BLACK 1/2" PAN HEAD SCREW - 30



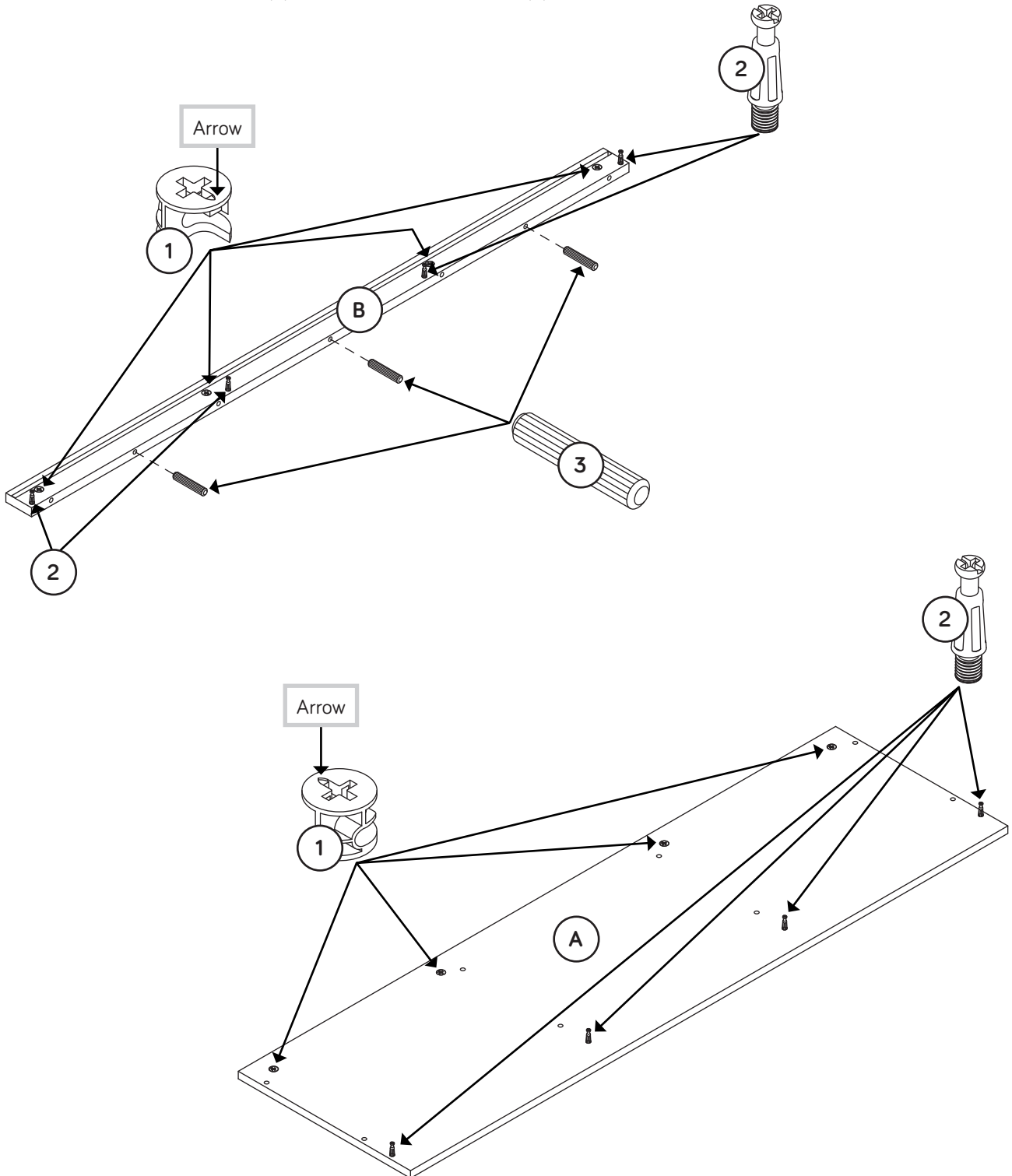
# Hardware Usage Guide

## HOW TO USE A HIDDEN CAM & CAM SCREW



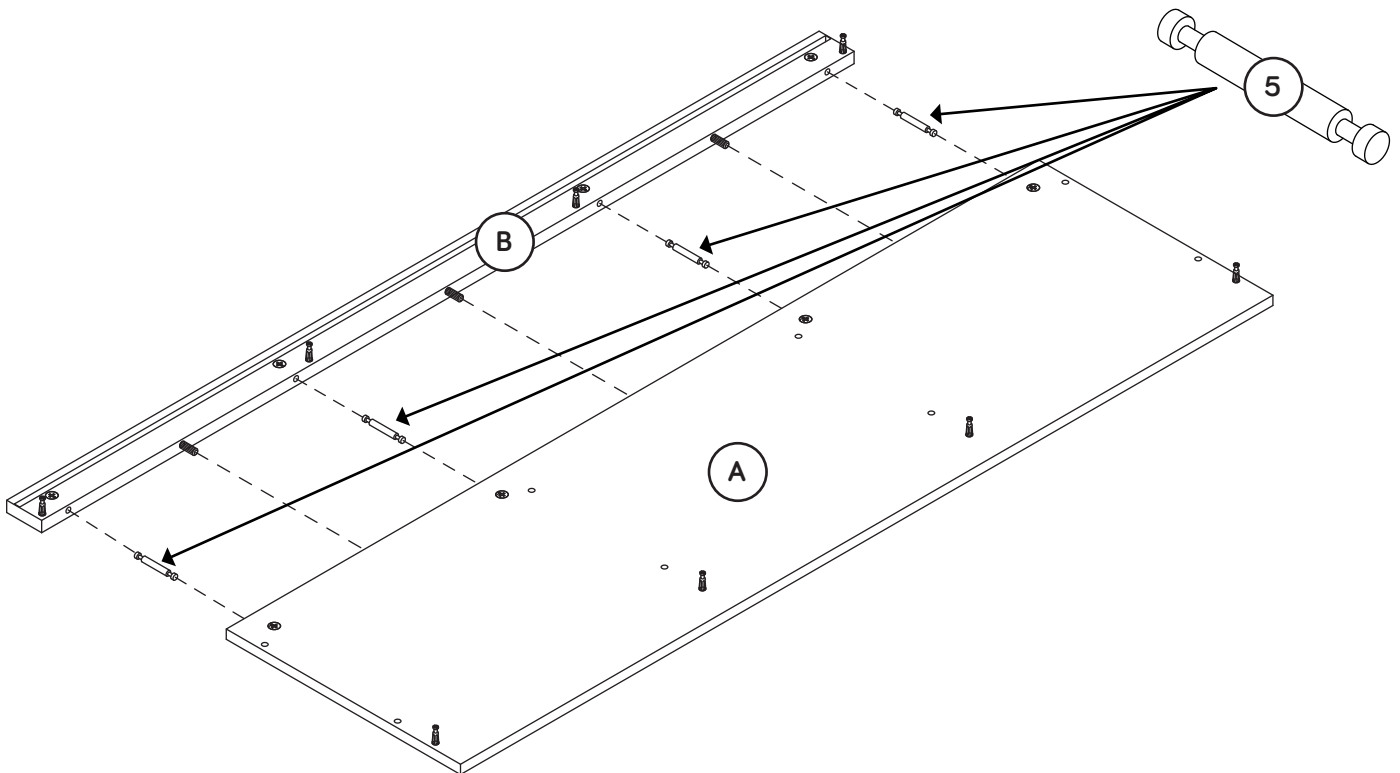
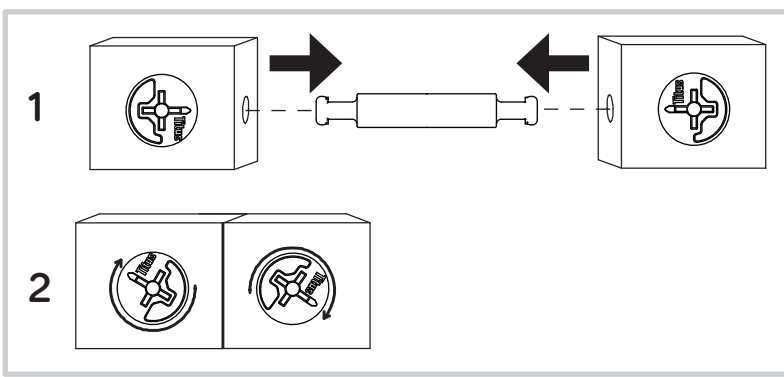
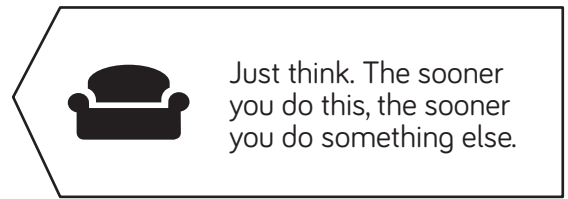
# Step 1

- ✚ Assemble your unit on a carpeted floor or on the empty carton to avoid scratching your unit or the floor.
- ✚ Turn eight CAM SCREWS (2) into the TOP (A) and STOP MOLDING (B).
- ✚ Push eight HIDDEN CAMS (1) into the TOP (A) and STOP MOLDING (B).
- ✚ NOTE: Be sure the HIDDEN CAMS insert completely down into the holes.
- ✚ Insert three WOOD DOWELS (3) into the STOP MOLDING (B).



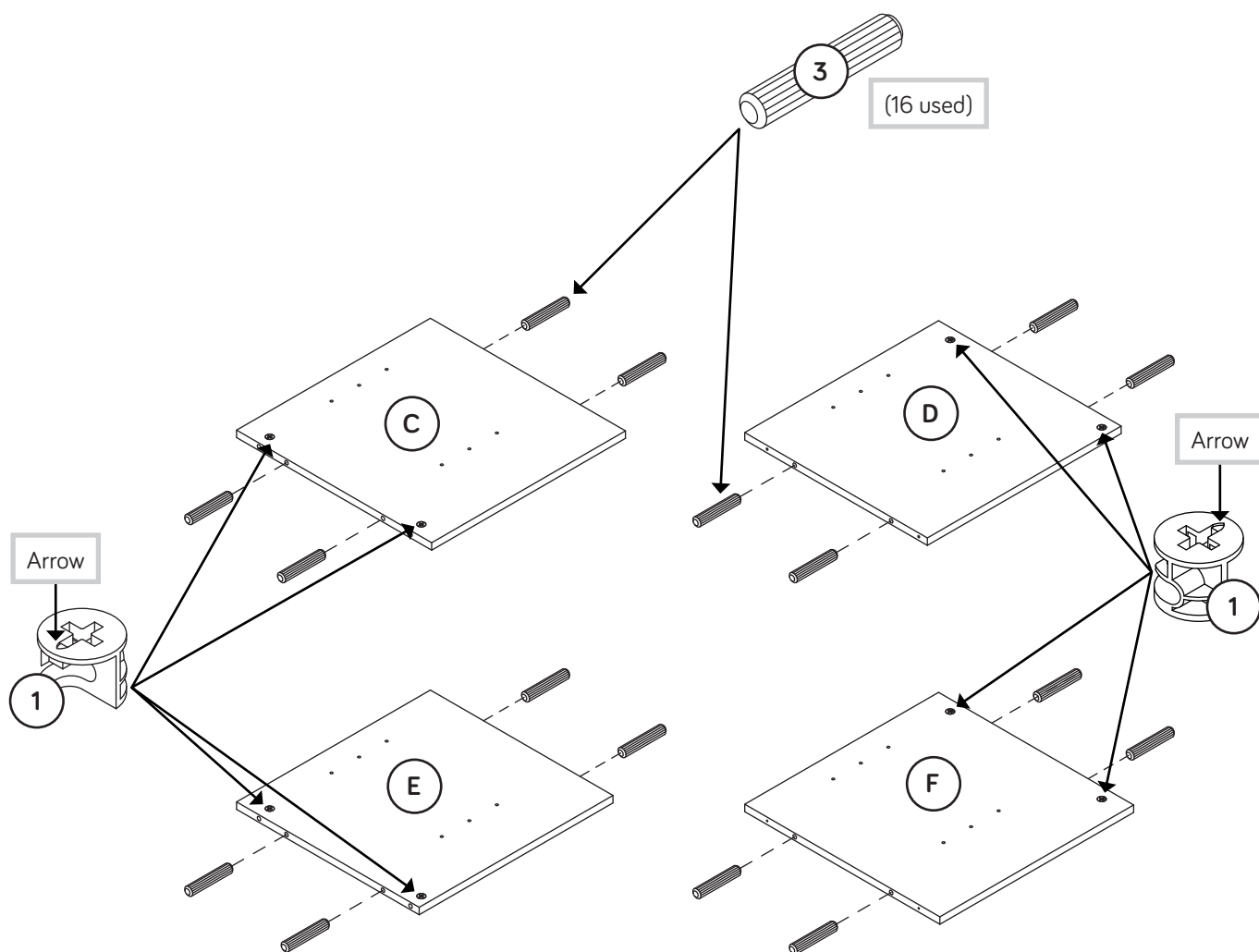
# Step 2

- ✚ Insert four BI-CAM DOWELS (5) into the TOP (A). Tighten four HIDDEN CAMS while keeping the DOWELS centered in the CAMS.
- ✚ Fasten the STOP MOLDING (B) to the TOP (A). Tighten four HIDDEN CAMS.
- ✚ NOTE: Be sure the WOOD DOWELS in the STOP MOLDING insert into the TOP.



# Step 3

- ✚ Push eight HIDDEN CAMS (1) into the ENDS (C and F) and UPRIGHTS (D and E).
- ✚ Insert sixteen WOOD DOWELS (3) into the edges of the ENDS (C and F) and UPRIGHTS (D and E).

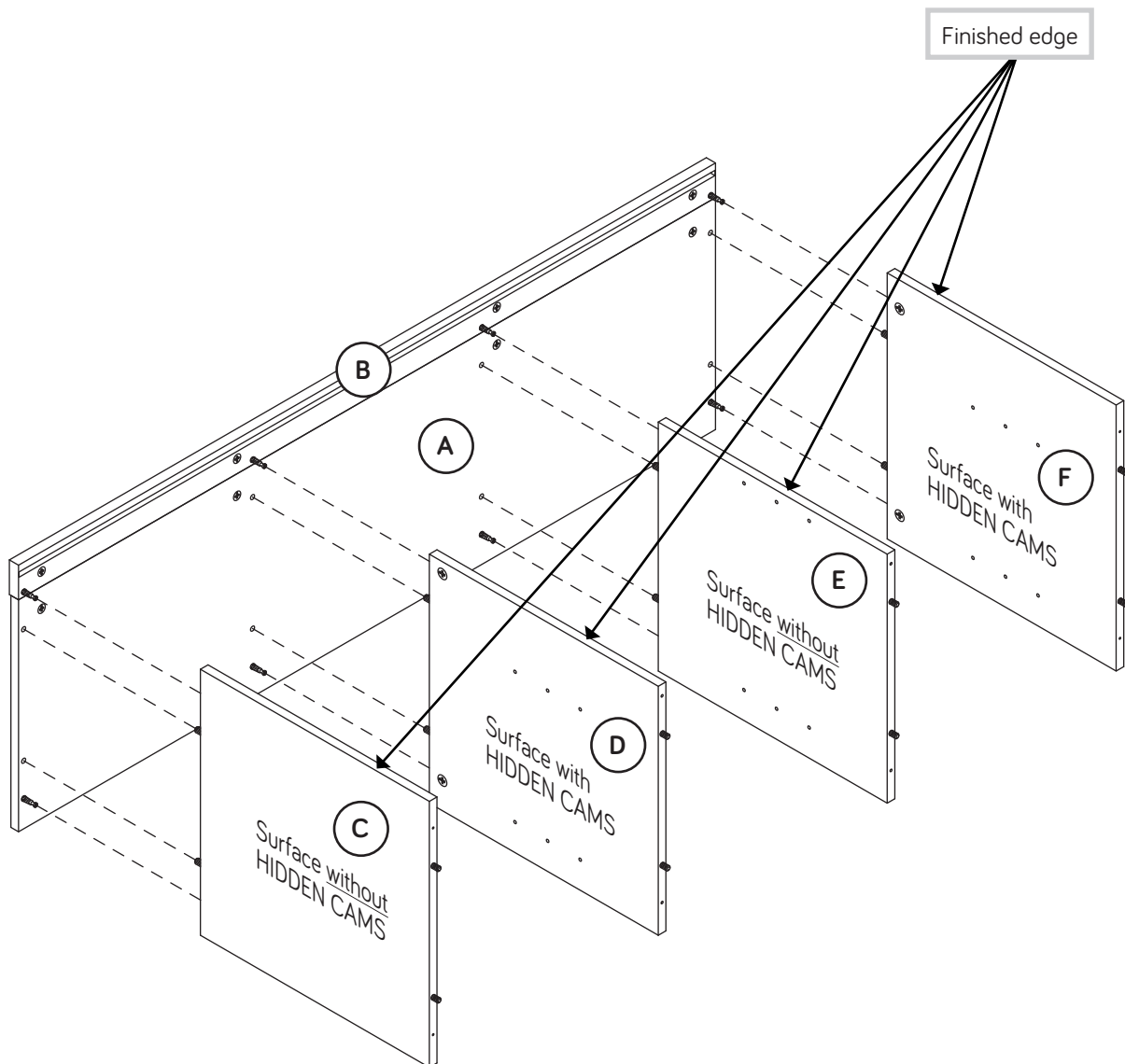




# Step 4

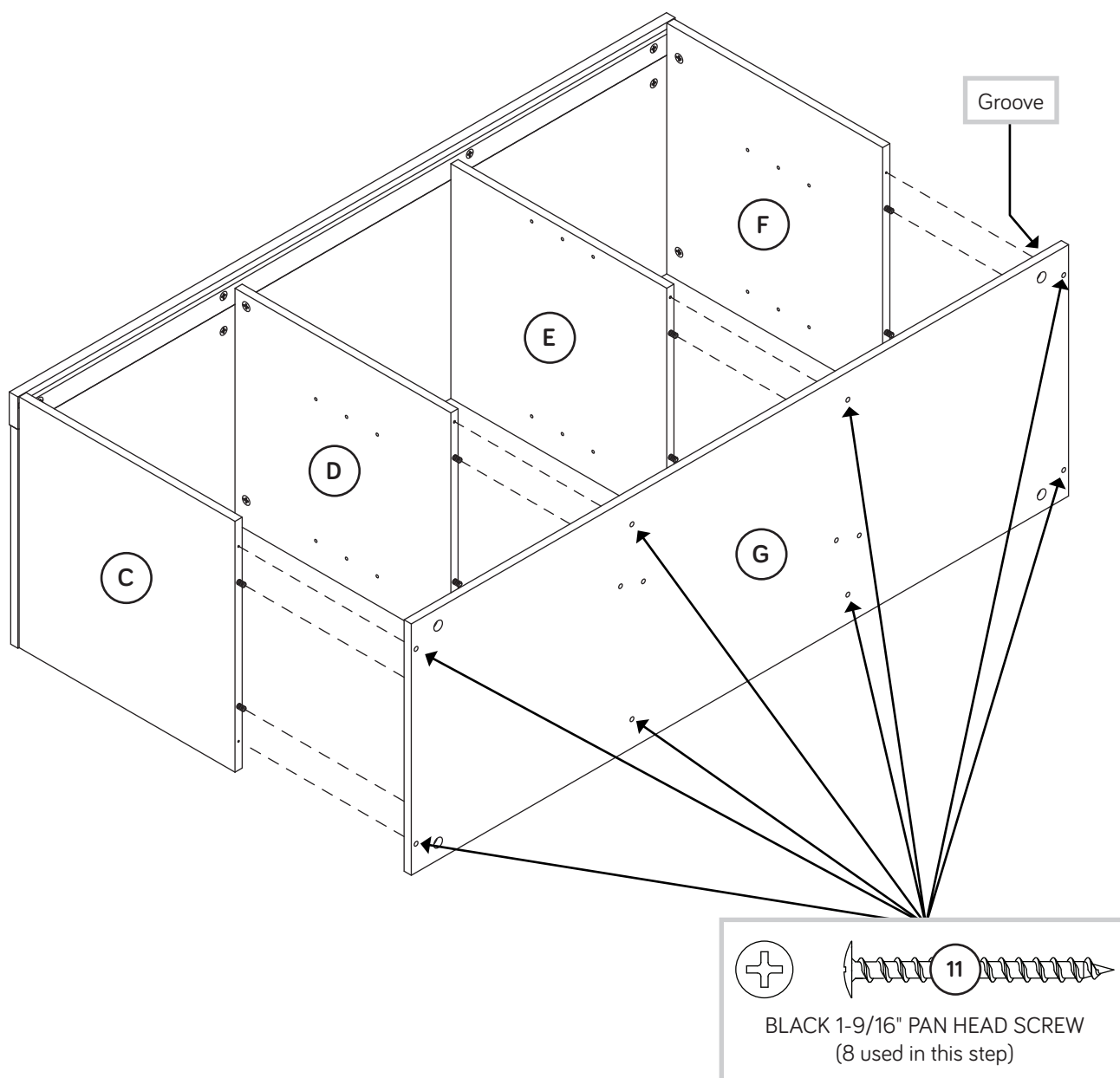
Fasten the ENDS (C and F) and UPRIGHTS (D and E) to the TOP (A) and STOP MOLDING (B). Tighten eight HIDDEN CAMS.

**NOTE:** Be sure the WOOD DOWELS in the ENDS and UPRIGHTS insert into the TOP.



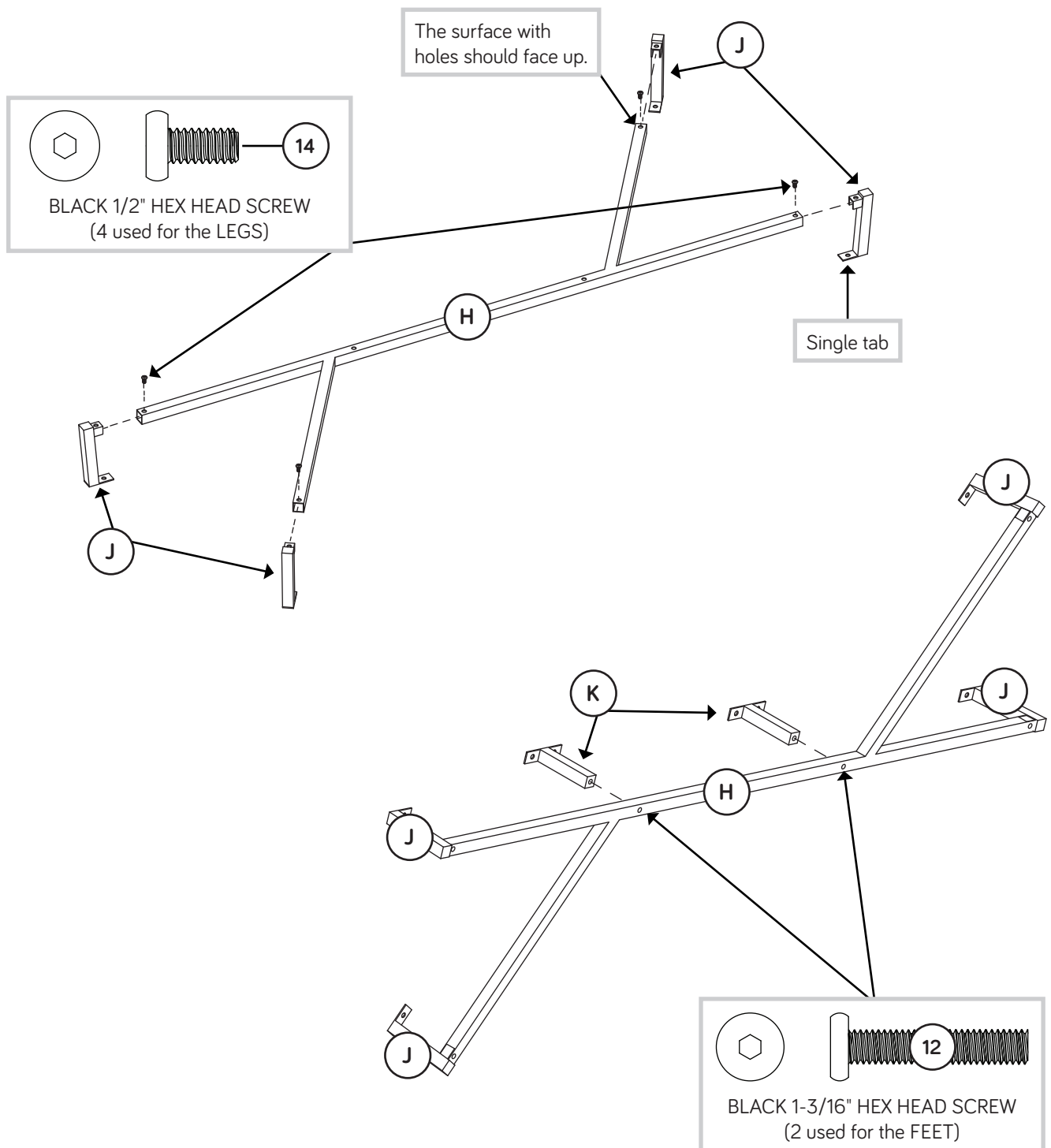
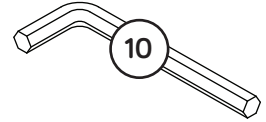
# Step 5

- Fasten the BOTTOM (G) to the ENDS (C and F) and UPRIGHTS (D and E). Use eight BLACK 1-9/16" PAN HEAD SCREWS (11).
- NOTE:** You should start each SCREW a few turns before completely tightening any of them.
- NOTE:** Be sure the WOOD DOWELS in the ENDS and UPRIGHTS insert into the BOTTOM.



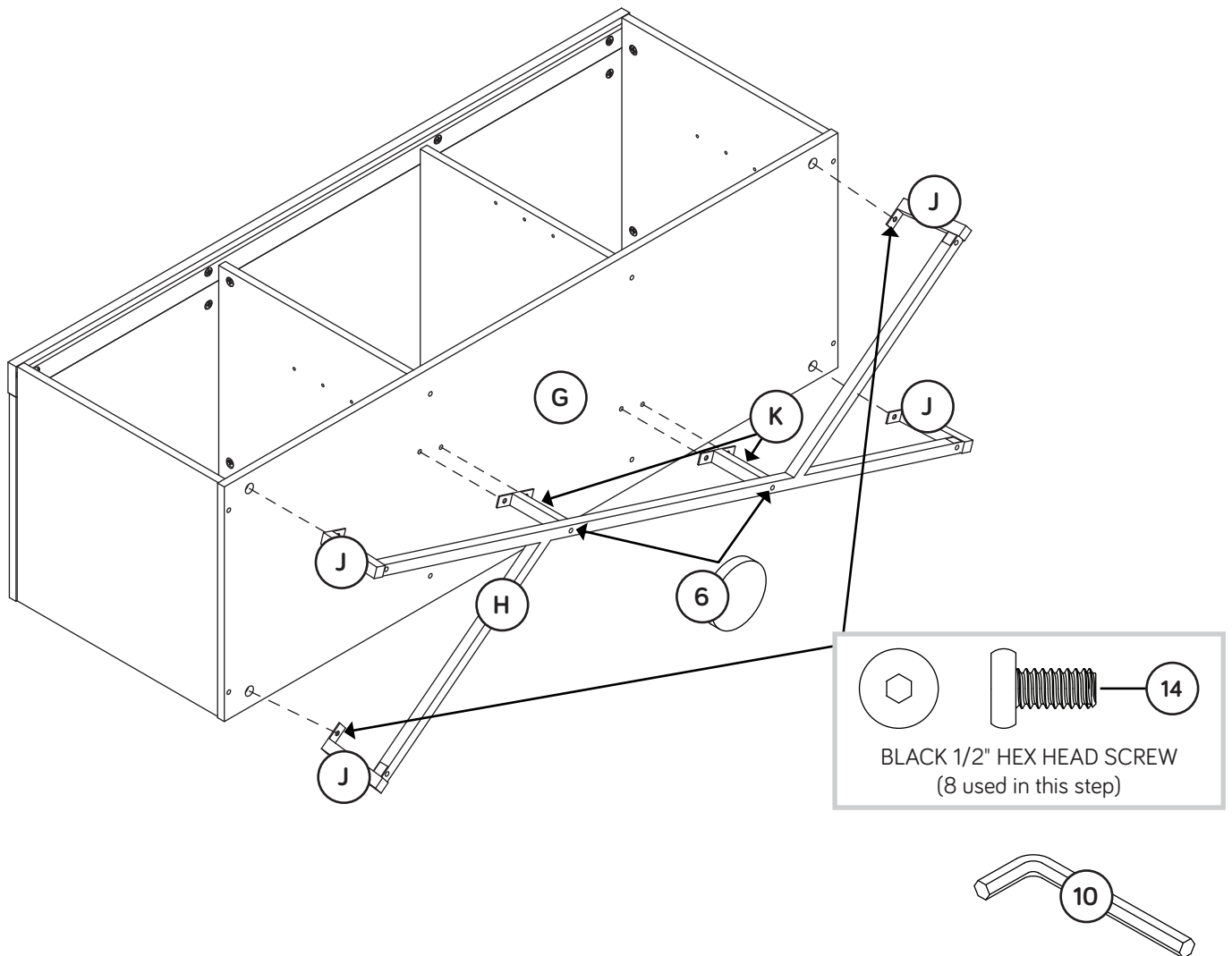
# Step 6

- Fasten the BASE (H) to the LEGS (J). Tighten four BLACK 1/2" HEX HEAD SCREWS (14) using the L-WRENCH (10).
- Fasten two FEET (K) to the BASE (H). Tighten two BLACK 1-3/16" HEX HEAD SCREWS (12) using the L-WRENCH (10).
- NOTE:** Be sure the FEET (K) are pointing the same direction as the LEGS (J).



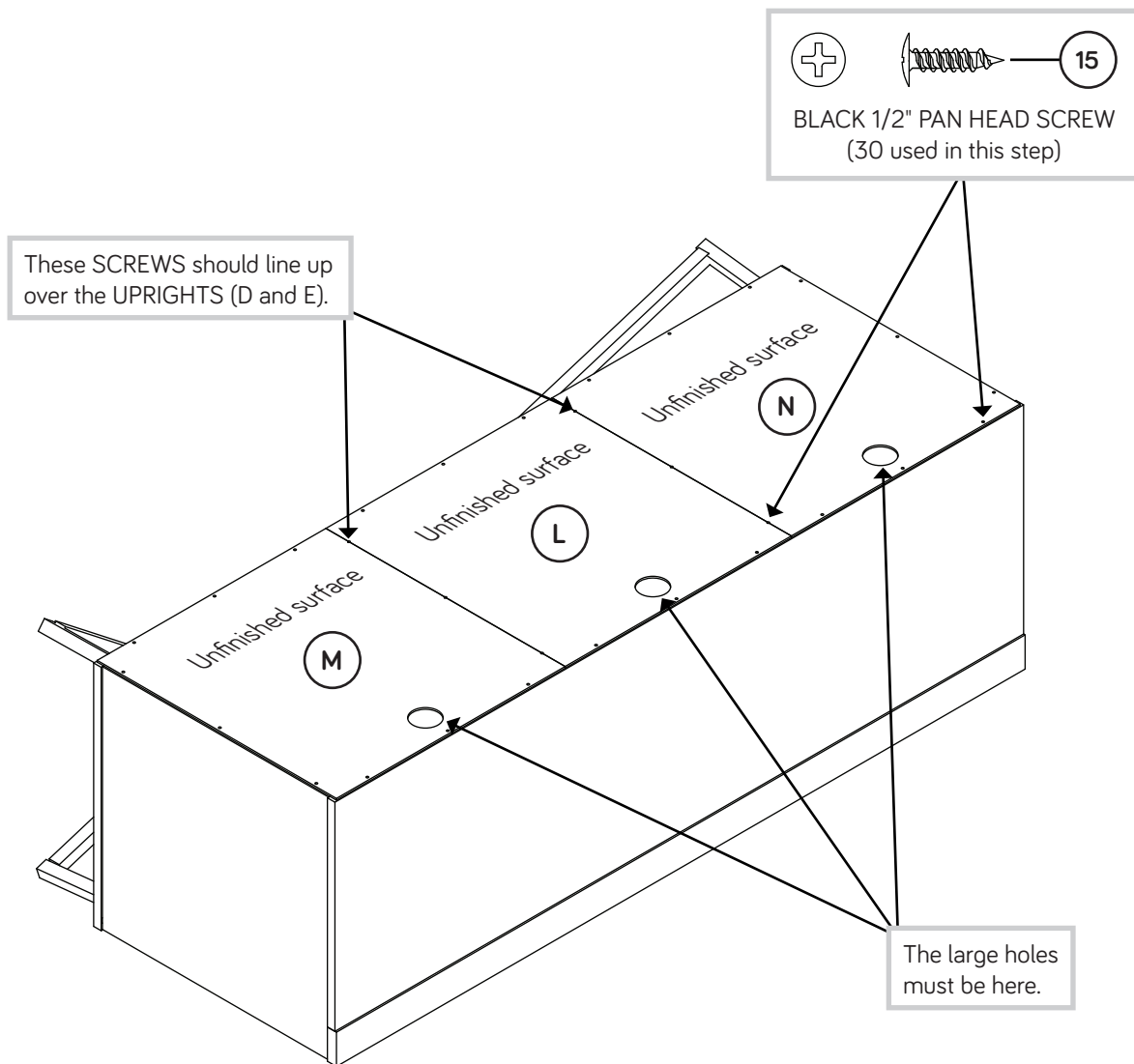
# Step 7

- Fasten the LEGS (J) and FEET (K) to the BOTTOM (G). Tighten eight BLACK 1/2" HEX HEAD SCREWS (14) using the L-WRENCH (10).
- Peel off the backing from the FELT DISCS (6) and stick the FELT DISCS over the screw heads on the BASE (H) as shown.



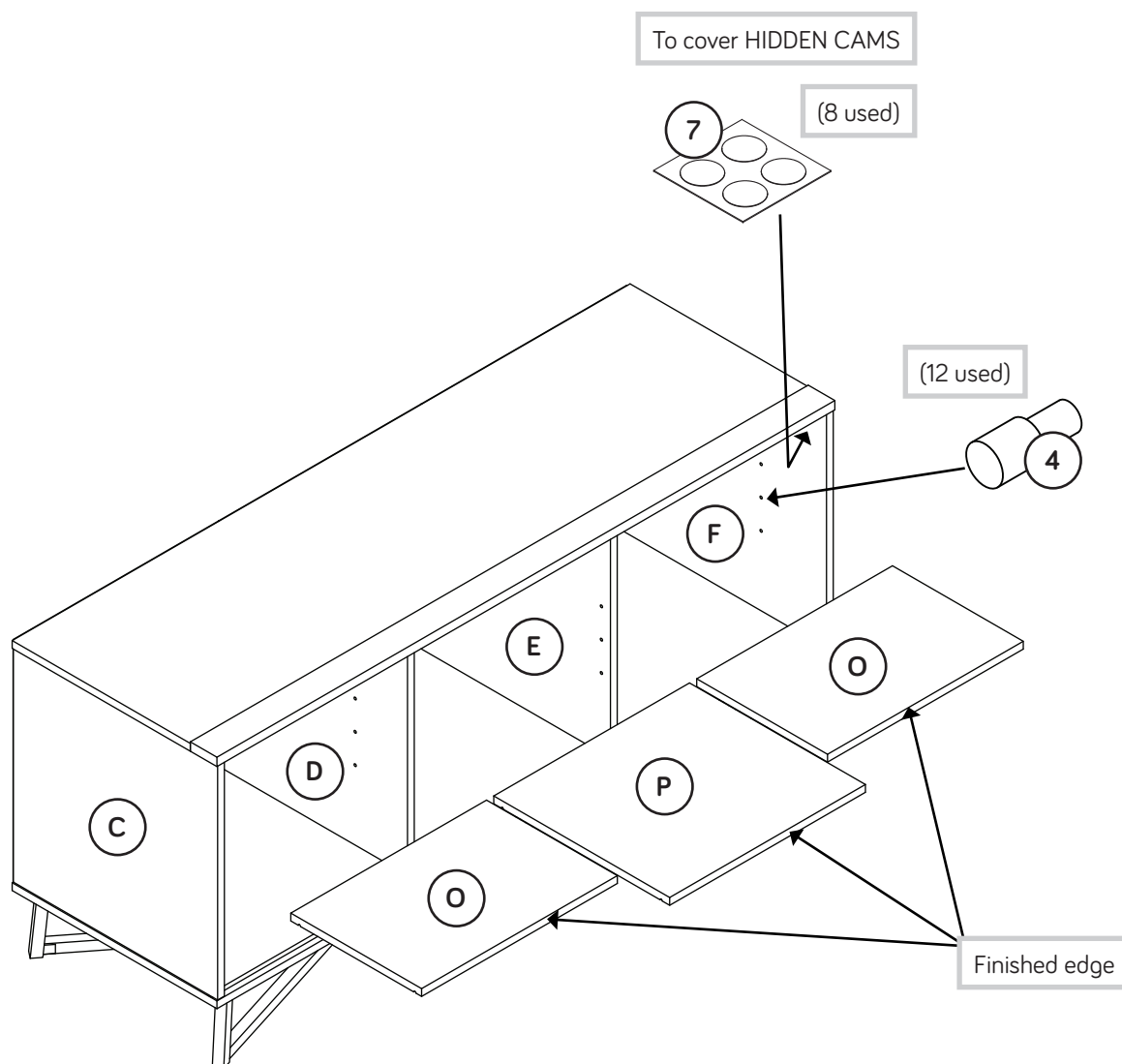
# Step 8

- Fasten the BACKS (L, M, and N) to your unit exactly as shown. Use thirty BLACK 1/2" PAN HEAD SCREWS (15).



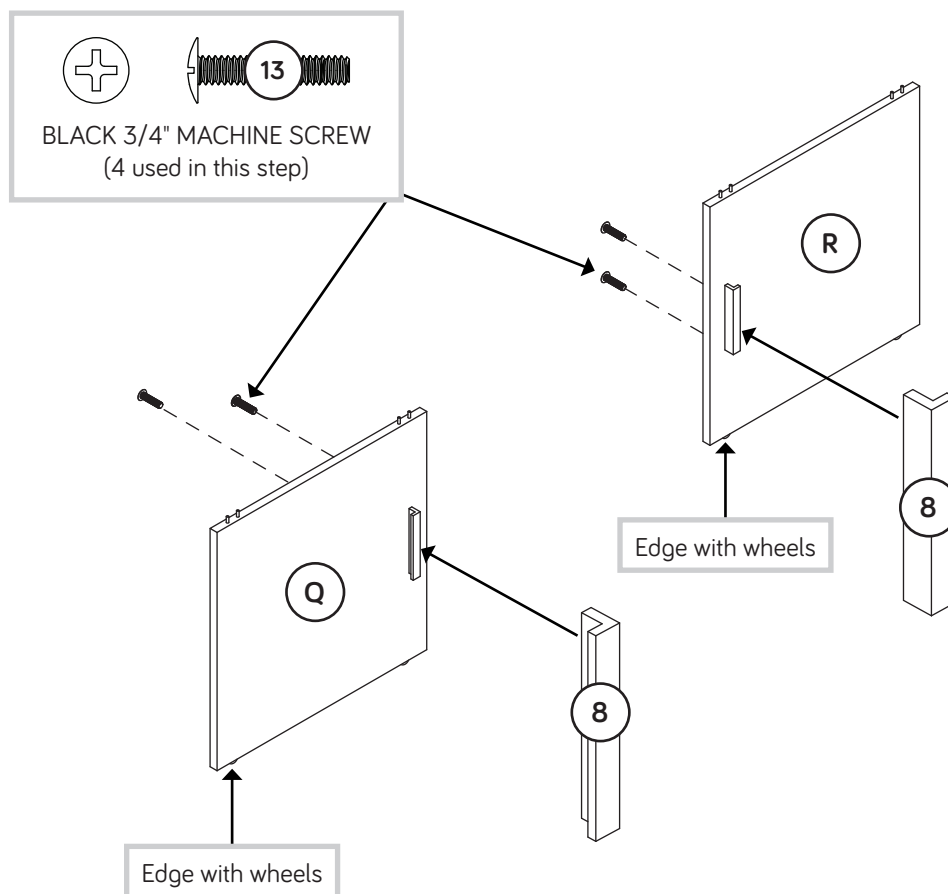
# Step 9

- ✦ Carefully stand your unit upright.
- ✦ Insert the SHELF PINS (4) into the hole locations of your choice in the ENDS (C and F) and UPRIGHTS (D and E). Set the ADJUSTABLE SHELVES (O and P) onto the SHELF PINS.
- ✦ Peel APPLIQUES from the APPLIQUE CARDS (7) and stick them onto each visible HIDDEN CAM in the ENDS (C and F) and UPRIGHTS (D and E).



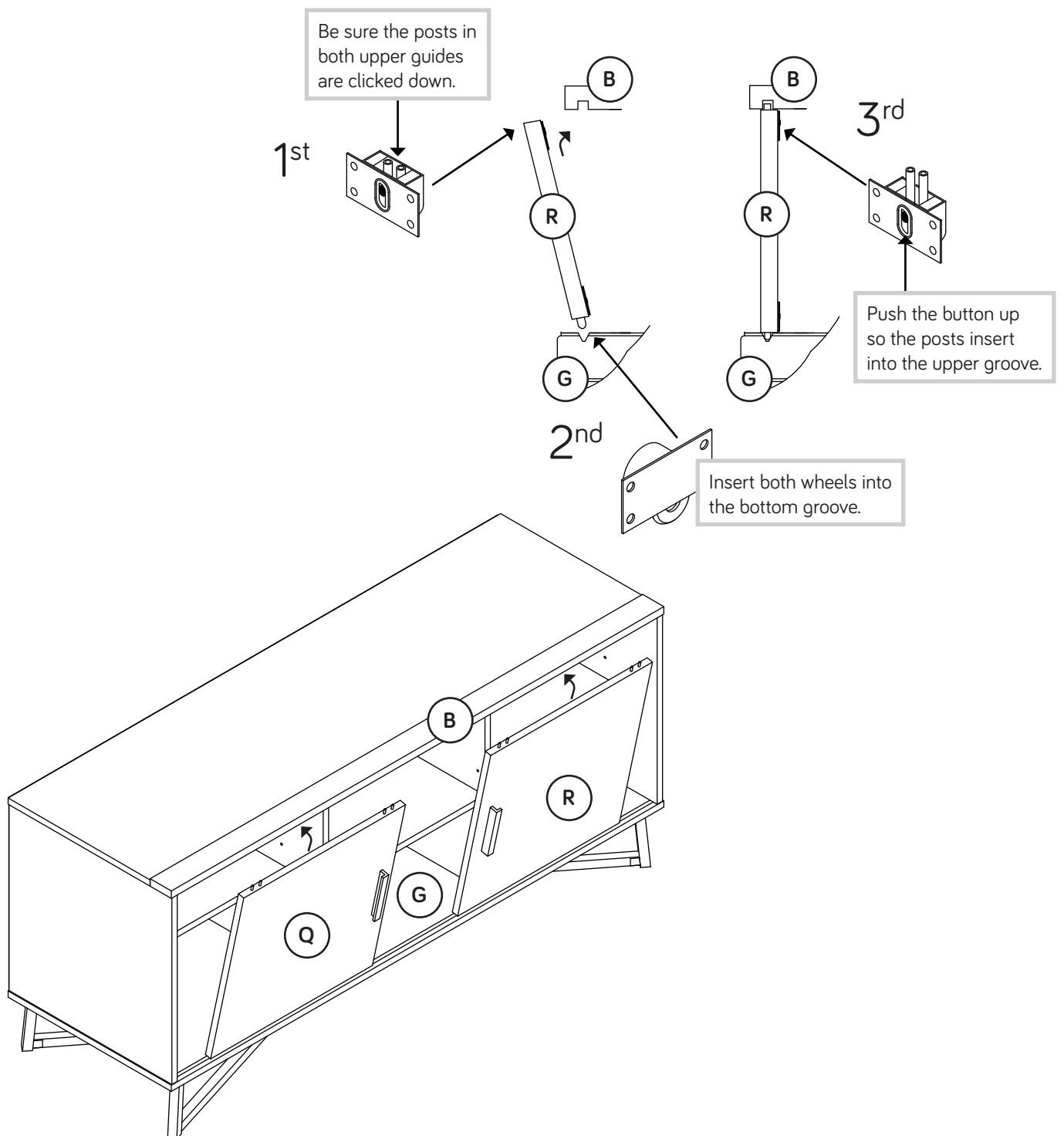
# Step 10

- Fasten the PULLS (8) to the DOORS (Q and R). Use four BLACK 3/4" MACHINE SCREWS (13).



# Step 11

- 🔧 **NOTE:** The upper guide posts should be down before starting this step.
- 🔧 Insert the wheels on the bottom of the DOOR (R) at an angle into the track in the BOTTOM (G). Then, tilt the DOOR (R) up vertically. Push the upper guide button up so the posts insert into the track in the STOP MOLDING (B).
- 🔧 **NOTE:** The DOOR should slide freely in the tracks.
- 🔧 Repeat this step for the other DOOR (Q).

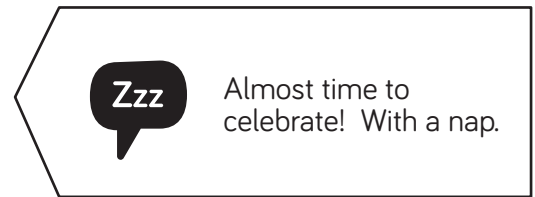




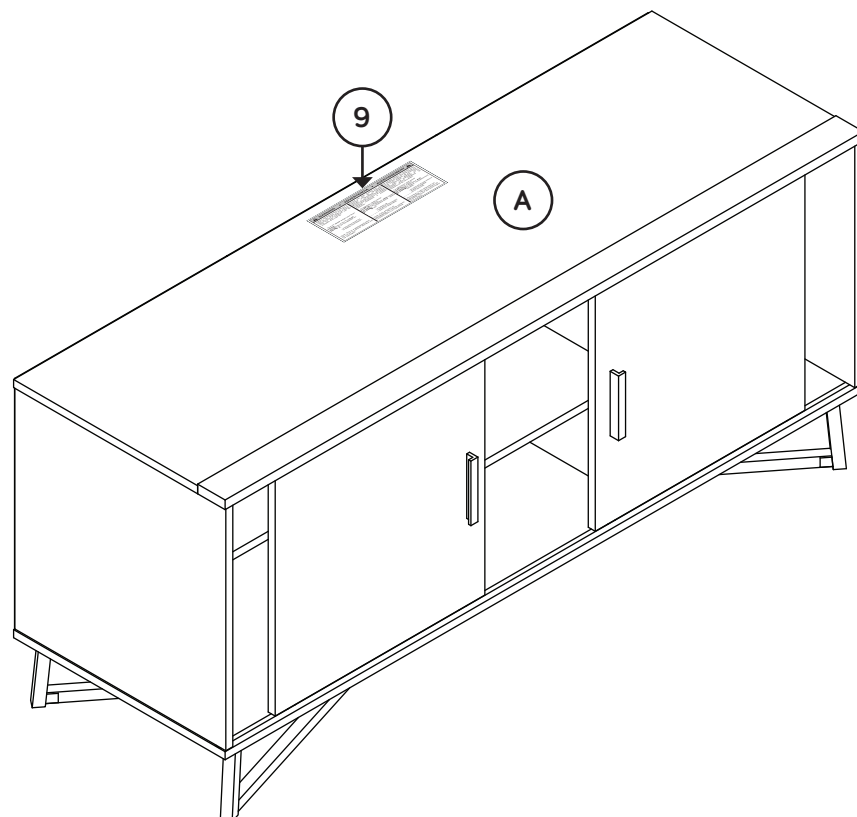
# Step 12

Apply the WARNING LABEL (9) to the TOP (A). You should be able to read the label when the TV is removed from the unit. When the TV is in place, it should hide the label. Peel off the backing and apply the label as shown in the diagram.

**NOTE:** This is a permanent label intended to last for the life of the product. Once applied, do not try to remove it.



⚠ WARNING	• ADVERTENCIA	• AVERTISSEMENT	⚠
Never use this furniture with a TV that is too large or too heavy. Severe injury or death can occur. The TV and furniture will be unstable and may tip.	Nunca use este mueble con un televisor que es demasiado grande o demasiado pesado. Podría resultar en una lesión grave hasta fatal. El televisor y el mueble estarán inestables y pueden volcarse.	Ne jamais utiliser ce meuble avec un téléviseur qui soit trop large ou trop lourd. Risque de provoquer des blessures graves, voire mortelles. Le téléviseur et le meuble seront instables et risquent de se renverser.	
-The TV <b>must</b> weigh less than <b>70 lbs.</b> -The base of the TV <b>must</b> be able to sit completely on this shelf.	-El televisor debe pesar <b>31,75 kg</b> o menos. -La base del televisor <b>debe</b> poder colocarse completamente sobre este estante.	-Le téléviseur doit peser <b>31,75 kg</b> ou moins. -Le socle du téléviseur <b>doit</b> pouvoir être placé complètement sur cette tablette.	
Refer to instruction book for complete safety information.	Consulte el folleto de instrucciones para información completa sobre la seguridad.	Consulter le manuel d'instructions pour information complète concernant la sécurité.	
<i>Note: This is a <u>permanent</u> label. Do not try to remove. Surface will be damaged.</i>	<i>Nota: Esta etiqueta es <u>permanente</u>. No intente quitarla. Causará daño a la superficie.</i>	<i>Remarque: Cette étiquette est <u>permanente</u>. Ne pas essayer de la retirer. Causera des dommages à la surface.</i>	



# Step 13

- 🔧 NOTE: Please read the back pages of the instruction booklet for important safety information.
- 🔧 This completes assembly. Clean with a damp cloth. Wipe dry.

