

For things 'n such.

Wall Mounted Peg Board

Craft Collection | Model 5423411

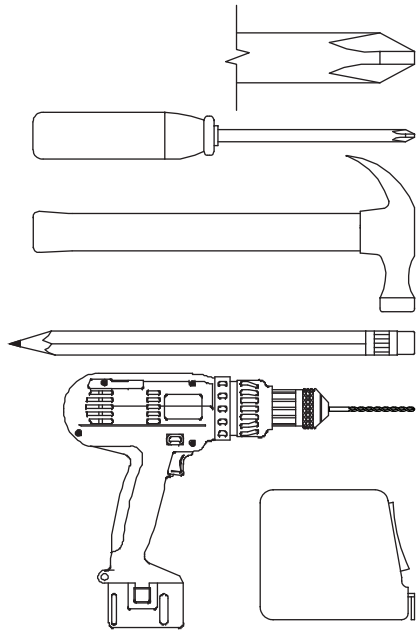
NOTE: THIS INSTRUCTION BOOKLET CONTAINS **IMPORTANT** SAFETY INFORMATION.

PLEASE READ AND KEEP FOR FUTURE REFERENCE.

Table of Contents

Assembly Tools Required

Part Identification	3
Hardware Identification	3
Assembly Steps	4-7
Français	8-9
Español	10-11
Safety	12-14
Warranty	15



No. 2 Phillips Screwdriver
Tip Shown Actual Size

Hammer
Not actual size 😊

Pencil

Electric drill with 1/4" bit
(ONLY in indicated step)

Tape Measure

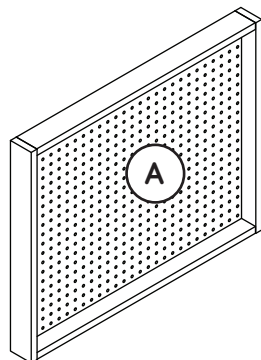
Part Identification

Now you know
our ABCs.



† While not all parts are labeled, some of the parts will have a label or an inked letter on the edge to help distinguish similar parts from each other. Use this part identification to help identify similar parts.

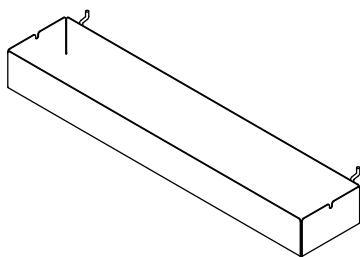
A | UNIT (1)



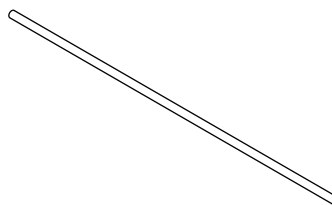
Hardware Identification

† Screws are shown actual size. You may receive extra hardware with your unit.

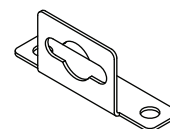
1 TRAY - 2



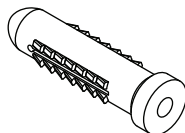
2 ROD - 2



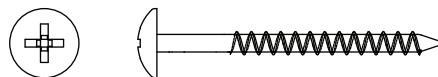
3 BRACKET - 2



4 WALL ANCHOR - 2



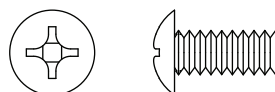
5 SILVER 1-1/2" PAN HEAD SCREW - 2



6 SILVER 7/16" PAN HEAD SCREW - 4

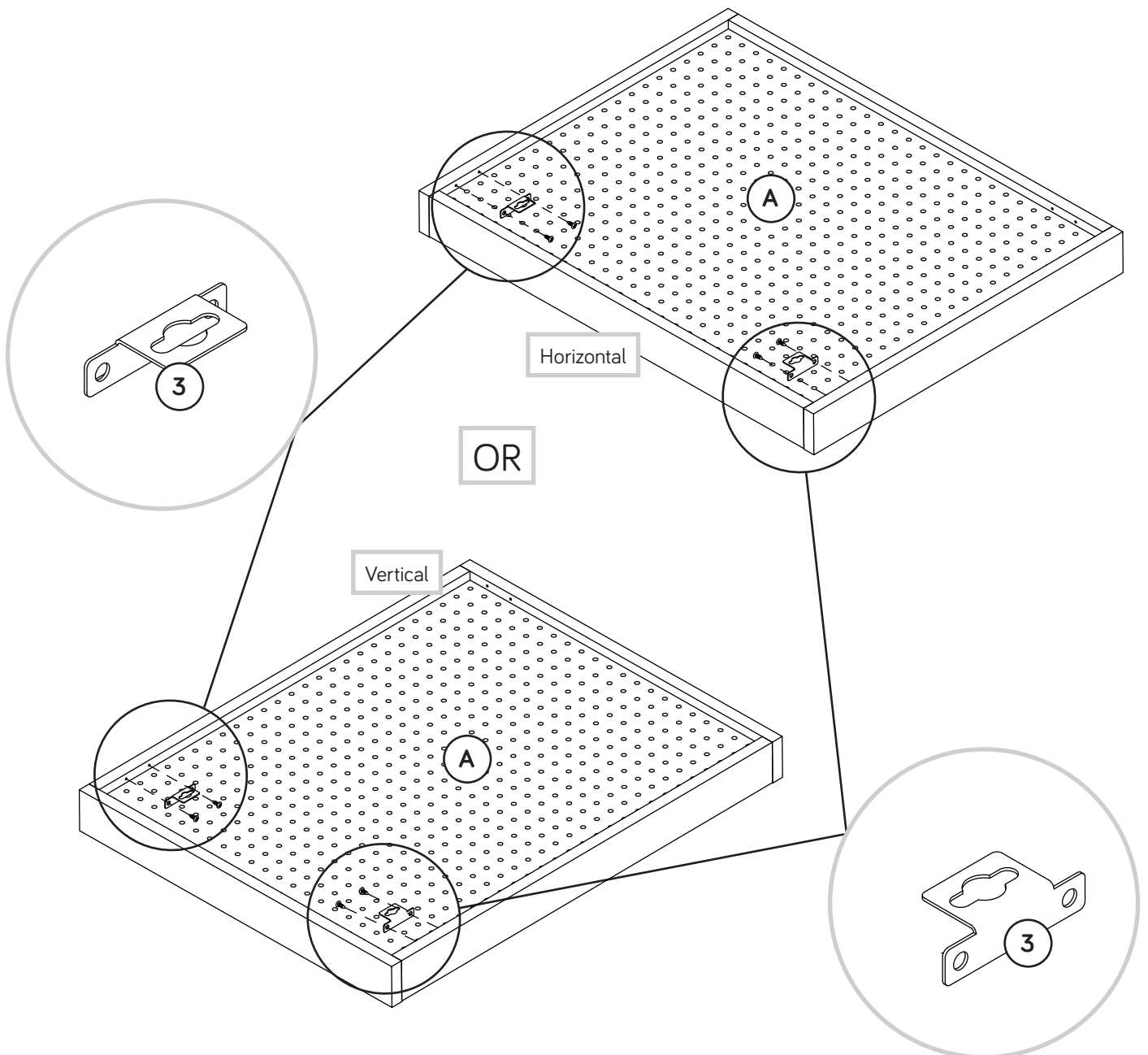
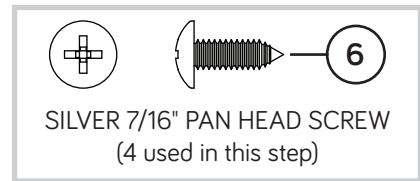


7 SILVER 9/16" MACHINE SCREW - 4



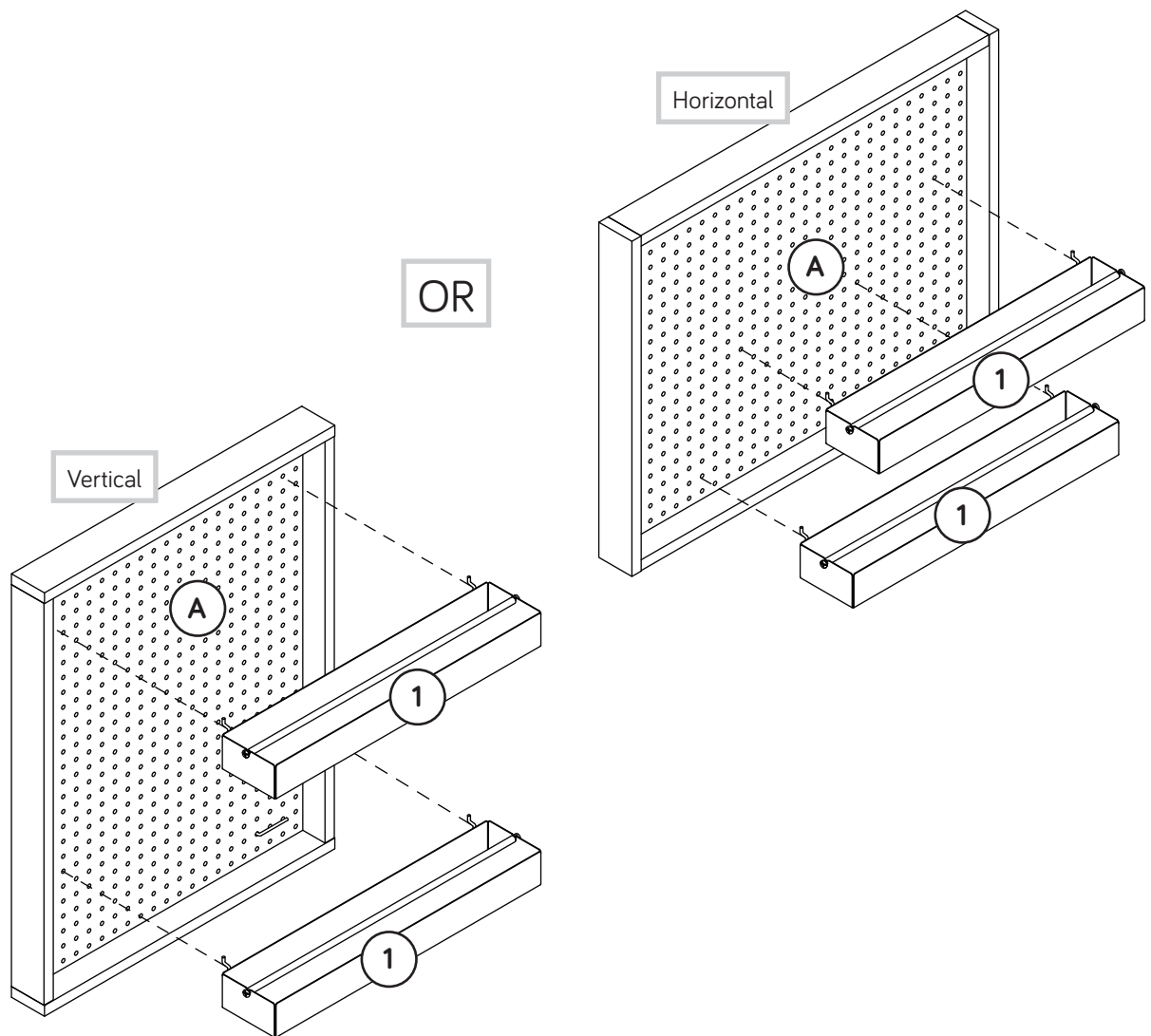
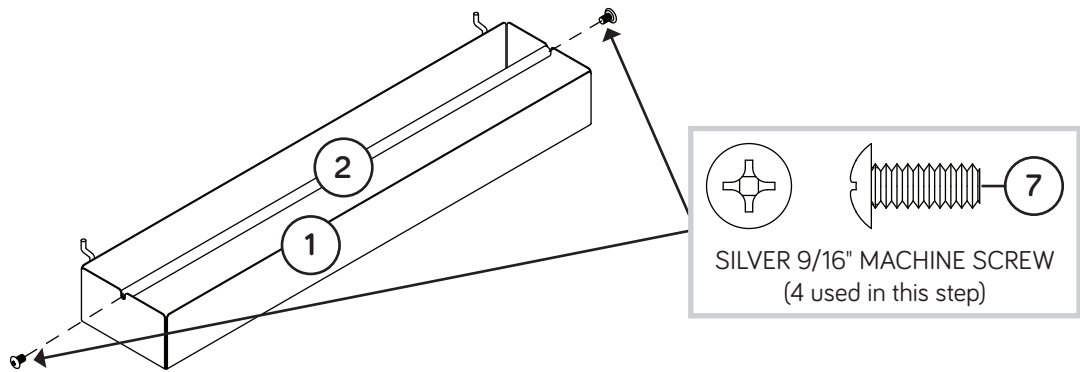
Step 1

- ✚ Assemble your unit on a carpeted floor or on the empty carton to avoid scratching your unit or the floor.
- ✚ Turn the UNIT (A) onto its front edges.
- ✚ To hang your unit horizontally, fasten the BRACKETS (3) to the short edges of the UNIT (A) exactly as shown. Use four SILVER 7/16" PAN HEAD SCREWS (6).
- ✚ To hang your unit vertically, fasten the BRACKETS (3) to the long edges of the UNIT (A) exactly as shown. Use four SILVER 7/16" PAN HEAD SCREWS (6).



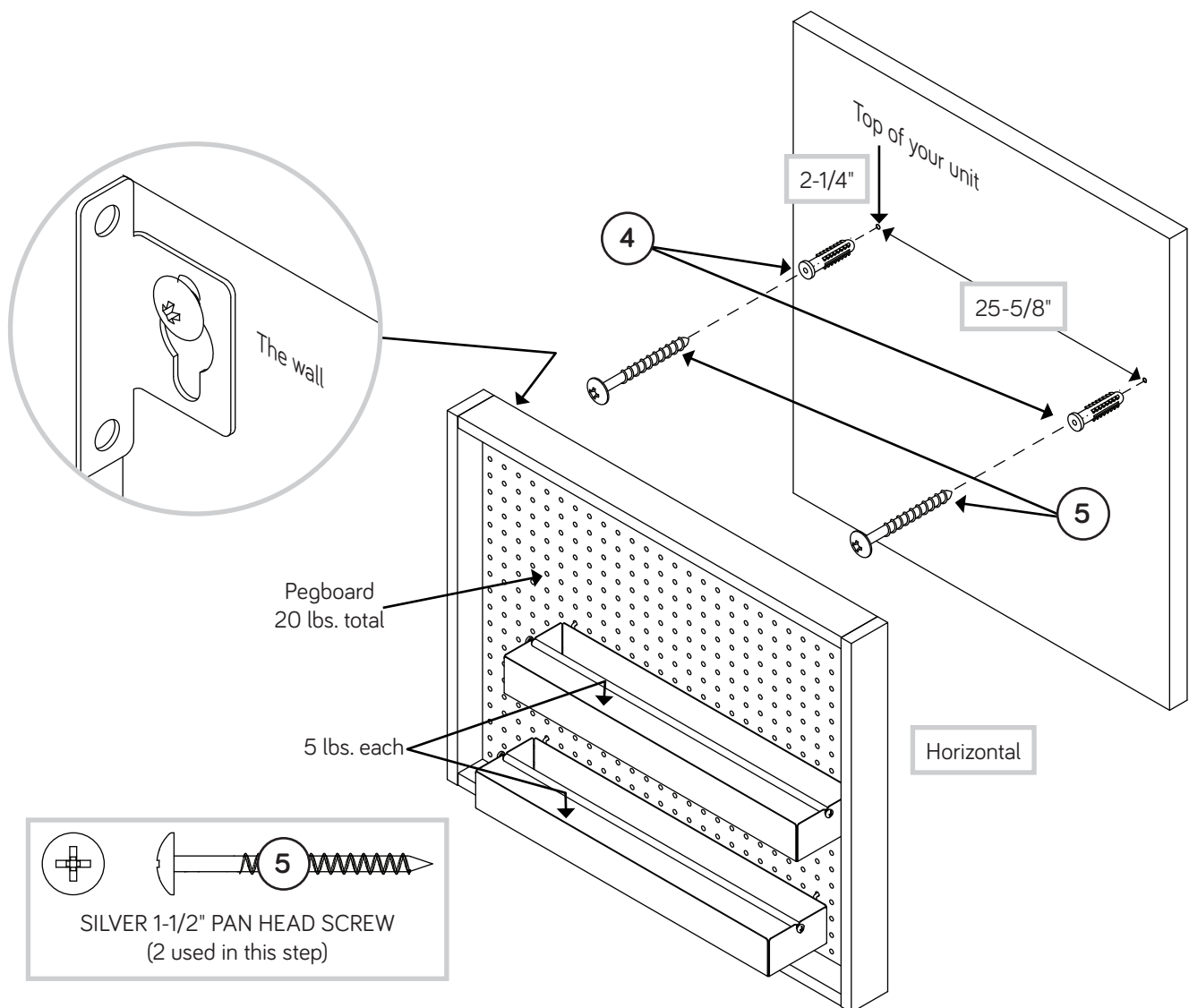
Step 2

- Fasten one of the RODS (2) to one of the TRAYS (1).
Tighten two SILVER 9/16" MACHINE SCREWS (7).
- Repeat this for the other TRAY and ROD.
- Carefully stand your unit upright either horizontally or vertically. Insert the TRAYS (1) into the hole locations of your choice.



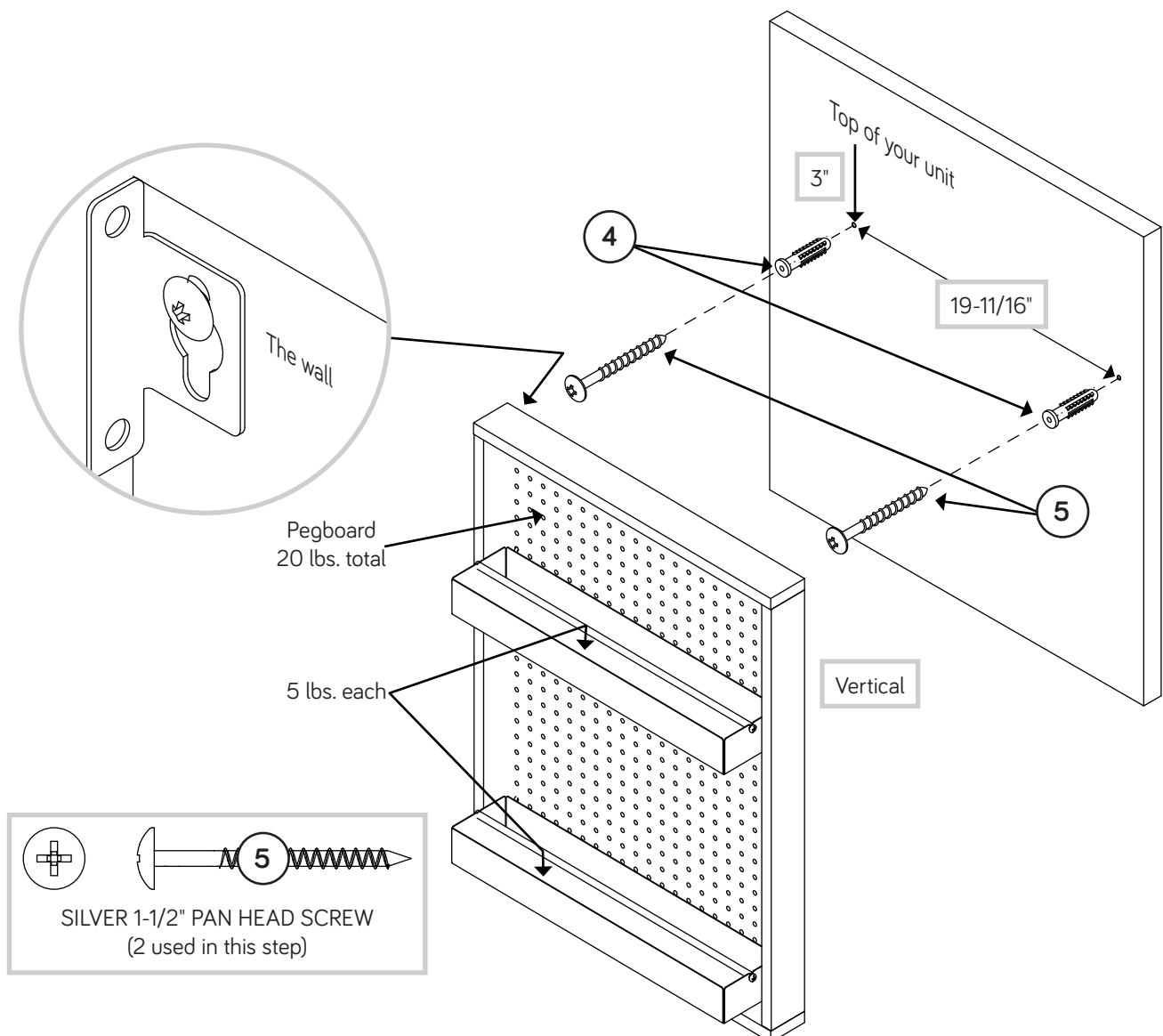
Step 3

- ✚ This step shows how to hang your unit horizontally while the next step shows the unit being hung vertically.
- ✚ The centers of the BRACKETS used to hang your unit are spaced 25-5/8" apart. With your tape measure, measure the distance on your wall. Then, mark the locations on your wall with a pencil. The marks should be 2-1/4" down from the top of your unit.
- ✚ Next, drill the holes that are marked on the wall using a 1/4" drill bit.
- ✚ **NOTE:** If attaching the Peg Board to a wall made of concrete, plaster, or other material, go to your local hardware store for proper hardware.
- ✚ Using your hammer, gently tap the WALL ANCHORS (4) into the holes in your wall. Then, turn two SILVER 1-1/2" PAN HEAD SCREWS (5) into the WALL ANCHORS (4).
- ✚ **NOTE:** Do not use a power screwdriver to tighten the SCREWS.
- ✚ **NOTE:** Do not completely tighten the SCREWS. There should be approximately a 3/16" gap between the SCREW and WALL ANCHOR.
- ✚ Carefully insert the SCREWS in your wall into the large holes in the brackets on the back of your unit. Then set the unit down into place.



Step 4

- ✚ The centers of the BRACKETS used to hang your unit are spaced 19-11/16" apart. With your tape measure, measure the distance on your wall. Then, mark the locations on your wall with a pencil. The marks should be 3" down from the top of your unit.
- ✚ Next, drill the holes that are marked on the wall using a 1/4" drill bit.
- ✚ **NOTE:** If attaching the Peg Board to a wall made of concrete, plaster, or other material, go to your local hardware store for proper hardware.
- ✚ Using your hammer, gently tap the WALL ANCHORS (4) into the holes in your wall. Then, turn two SILVER 1-1/2" PAN HEAD SCREWS (5) into the WALL ANCHORS (4).
- ✚ **NOTE:** Do not use a power screwdriver to tighten the SCREWS.
- ✚ **NOTE:** Do not completely tighten the SCREWS. There should be approximately a 3/16" gap between the SCREW and WALL ANCHOR.
- ✚ Carefully insert the SCREWS in your wall into the large holes in the brackets on the back of your unit. Then set the unit down into place.
- ✚ **NOTE:** Please read the back pages of the instruction booklet for important safety information.
- ✚ This completes assembly. Clean with your favorite furniture polish or a damp cloth. Wipe dry.



⚠ WARNING

Please use your furniture correctly and safely. Improper use can cause safety hazards, or damage to your furniture or household items. ***Carefully read the following chart.***

Look out for:	What can happen:	How to avoid the problem:
<ul style="list-style-type: none">• Properly mounting the shelf to the wall.	<ul style="list-style-type: none">• If not properly mounted, the shelf can fall from the wall and cause injury and damage.	<ul style="list-style-type: none">• Carefully review and follow the mounting instructions contained in this manual.
<ul style="list-style-type: none">• Overloaded shelves.	<ul style="list-style-type: none">• Risk of injury or property damage.• Overloaded furniture can break.	<ul style="list-style-type: none">• Never exceed the weight limits shown in the instructions.
<ul style="list-style-type: none">• Improper use of furniture to support TV's.• Placing TV's on furniture items not intended to support them is hazardous.	<ul style="list-style-type: none">• Risk of injury or death. TV's can be very heavy. Plus the weight and location of the picture screen can make furniture tip forward.	<ul style="list-style-type: none">• This product is not designed to support a television.