

Your center of
attention.

Credenza

Avon Collection | Model 5422051

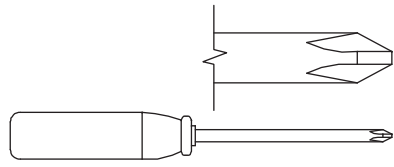
NOTE: THIS INSTRUCTION
BOOKLET CONTAINS **IMPORTANT**
SAFETY INFORMATION.

PLEASE READ AND KEEP FOR
FUTURE REFERENCE.

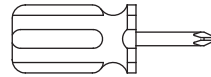
Table of Contents

Assembly Tools Required

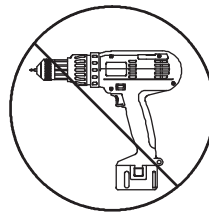
Part Identification	3
Hardware Identification	4
Assembly Steps	5-28
Safety	29



No. 2 Phillips Screwdriver
Tip Shown Actual Size



Short Screwdriver

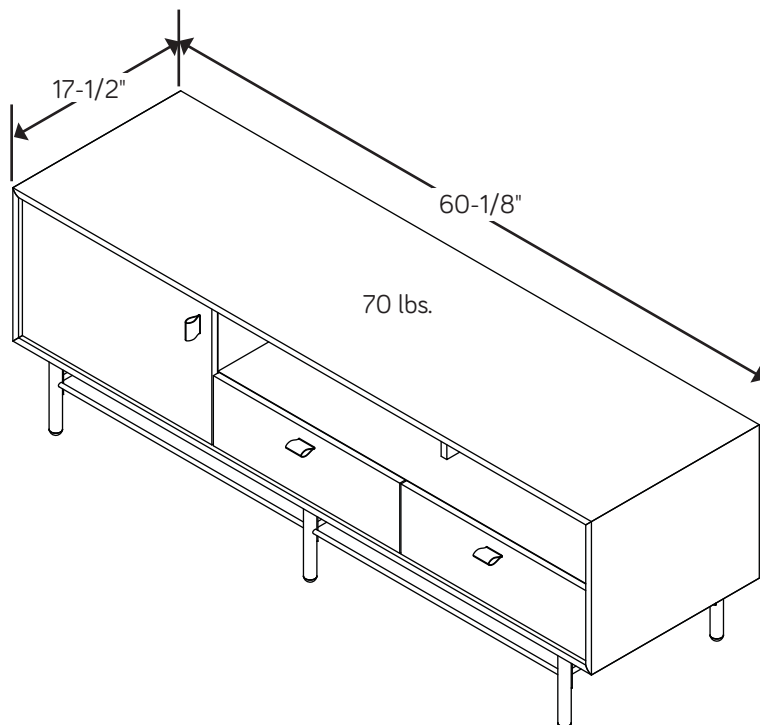


Skip the power trip.
This time.

⚠ WARNING

Use of a TV that is too heavy or large is hazardous. A TV that is too heavy will create a risk of a tip-over that can cause severe injury or death. A TV that is too large for the available space might be accidentally pushed or bumped off the furniture, or subject to tip-over.

- Check the size and weight of your TV. Compare it to the diagram below – **before you begin assembly!**
- This Sauder unit is designed for use with televisions weighing less than 70 pounds. **Never** use with a TV that weighs more.
- The size of the television, front-to-back and side-to-side, must fit within the space defined in the diagram.
 - **Never** place the front edge of the TV past the front edge of the TV support shelf (or stop molding – if equipped)
 - **Never** allow the sides of the TV to extend past the side edges of the TV support surface.
 - If the TV has a CRT picture tube, the picture tube cone may extend past the rear of the support shelf.
- Be sure to apply the warning label as instructed in the last assembly step. The label provides important safety related information.



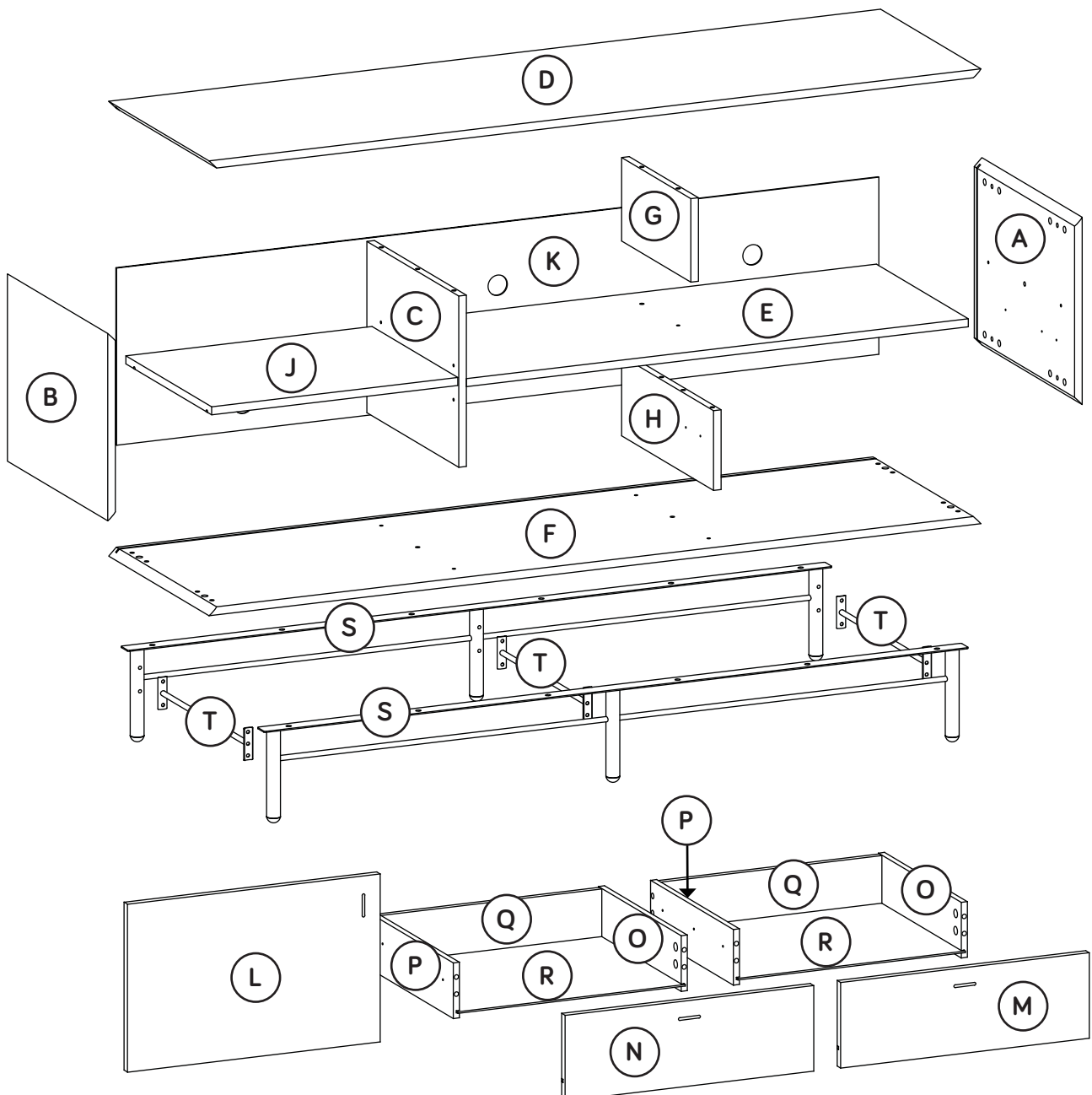
Part Identification

Now you know
our ABCs.



↑ While not all parts are labeled, some of the parts will have a label or an inked letter on the edge to help distinguish similar parts from each other. Use this part identification to help identify similar parts.

A	RIGHT END (1)	H	LOWER DIVIDER (1)	P	LEFT DRAWER SIDE (2)
B	LEFT END (1)	J	ADJUSTABLE SHELF (1)	Q	DRAWER BACK (2)
C	UPRIGHT (1)	K	BACK (1)	R	DRAWER BOTTOM (2)
D	TOP (1)	L	DOOR (1)	S	LEG (2)
E	SHELF (1)	M	RIGHT DRAWER FRONT (1)	T	STRETCHER (3)
F	BOTTOM (1)	N	LEFT DRAWER FRONT (1)		
G	UPPER DIVIDER (1)	O	RIGHT DRAWER SIDE (2)		

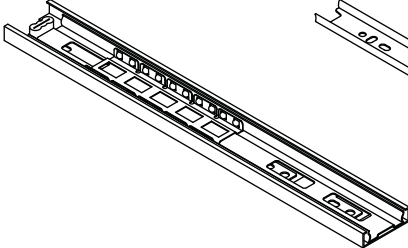


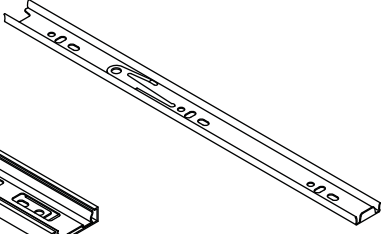
Hardware Identification


↑ Screws are shown actual size. You may receive extra hardware with your unit.

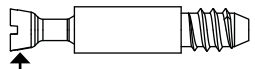
(EXTENSION SET SHOWN SEPARATED)

- 1** EXTENSION RAIL - 4


- 2** EXTENSION SLIDE - 4


- 3** HIDDEN CAM - 9

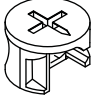

- 4** ANGLED HEAD CAM SCREW - 9




↑

Angled head

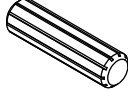
- 5** SMALL HIDDEN CAM - 8

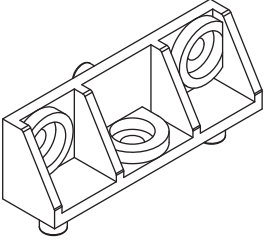

- 6** STRAIGHT HEAD CAM SCREW - 8



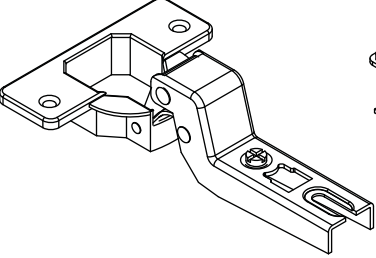
↑

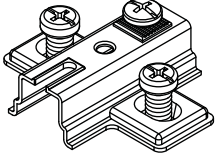
Straight head
- 7** WOOD DOWEL - 9

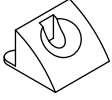

- 8** PLASTIC BRACKET - 8

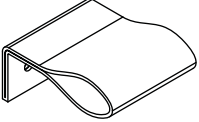


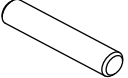
- 9** HINGE - 2


- 10** HINGE BRACKET - 2

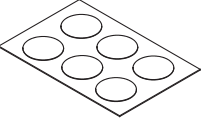

- 11** CLIP - 12


- 12** PULL - 3


- 13** METAL PIN - 4



- 14** APPLIQUE CARD - 3


- 15** WARNING LABEL - 1

⚠ WARNING • ADVERTENCIA • AVERTISSEMENT ⚠

Never use this furniture with a TV that is too large or too heavy. Specifications of weight and size. The TV and furniture will be unstable and may tip.

Never use this furniture with a TV that is too large or too heavy. Especificaciones de peso y tamaño. El televisor y el mueble estarán inestables y pueden volcarse.

Ne jamais utiliser ce meuble avec un téléviseur qui soit trop large ou trop lourd. Respectez les spécifications des dimensions, du poids et de la stabilité. Le téléviseur et le meuble seront instables et risquent de se renverser.

*The TV must weigh less than 70 lbs.
*no case of the TV must be able to sit completely on this shelf.

*El televisor debe pesar 31,75 kg o menos.
*el caso del televisor debe poder apoyarse completamente sobre este estante.

*Le téléviseur doit peser 31,75 kg ou moins.
*le socle du téléviseur doit pouvoir être placé complètement sur votre tablette.

Refer to instruction book for complete safety information.

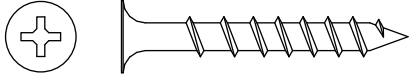
Consulte el folleto de instrucciones para información completa sobre la seguridad.

Consultez le manuel d'instructions pour information complète concernant la sécurité.

Note: This is a **flammable** label. Do not try to remove. Surface will be damaged.

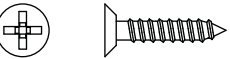
Atención: Este etiquetado es **inflamable**. No intente quitarlo. Causará daño a la superficie.

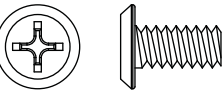
Attention: Cette étiquette est **inflammable**. Ne pas essayer de la retirer. Causer des dommages à la surface.
- 16** BLACK 1-1/2" FLAT HEAD SCREW - 13

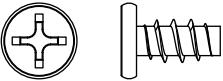


(Refer to the last step for proper location and application)


- 17** SILVER 5/8" FLAT HEAD SCREW - 12



- 18** BLACK 1/2" MACHINE SCREW - 36



- 19** BLACK 1/2" WAFER HEAD SCREW - 12



- 20** BLACK 1/2" PAN HEAD SCREW - 6


- 21** SMALL BLACK 1/2" PAN HEAD SCREW - 24


- 22** SILVER 1/2" FLAT HEAD SCREW - 4

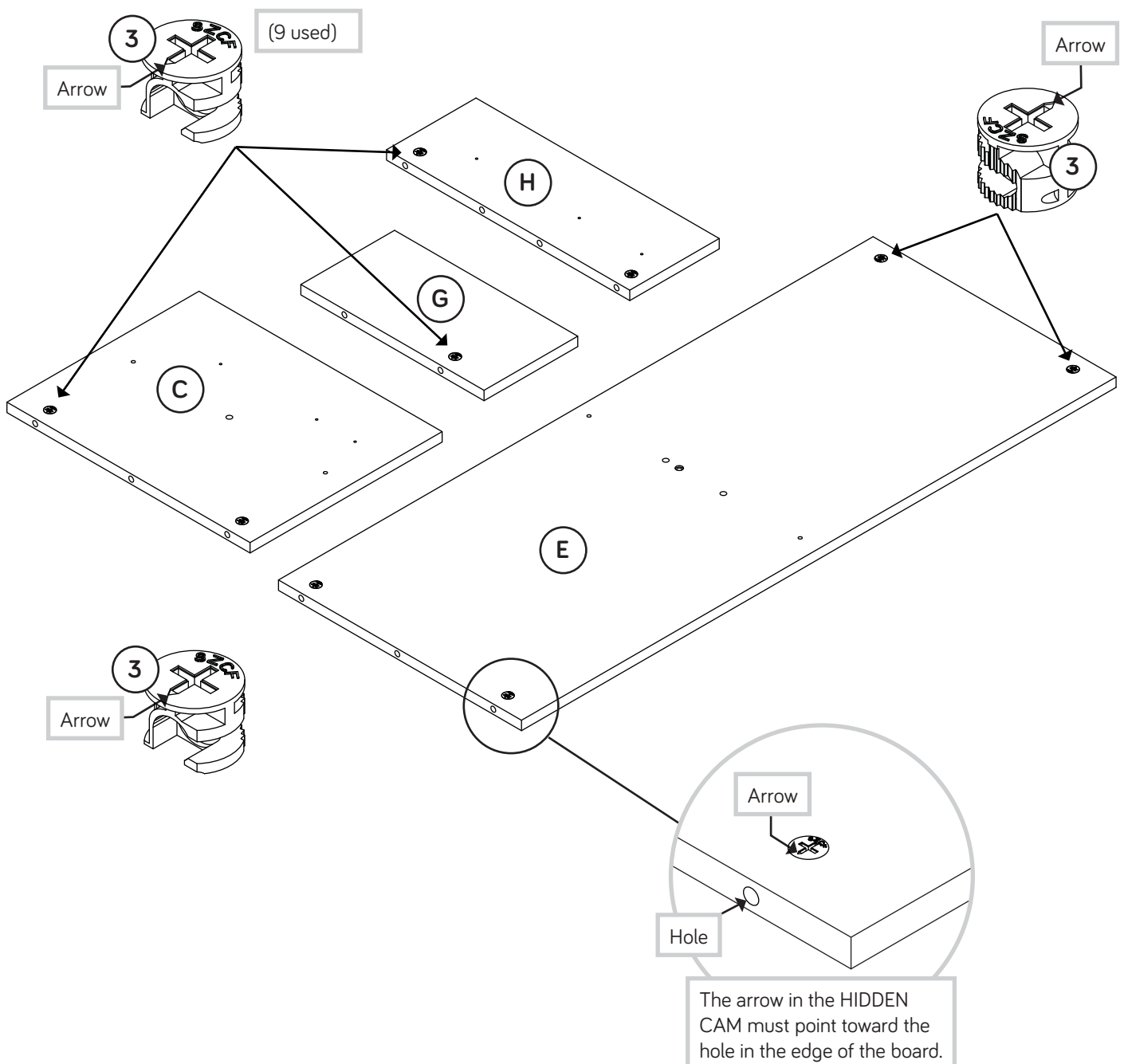


Step 1

- Assemble your unit on a carpeted floor or on the empty carton to avoid scratching your unit or the floor.
- Push nine HIDDEN CAMS (3) into the UPRIGHT (C), SHELF (E), and DIVIDERS (G and H).

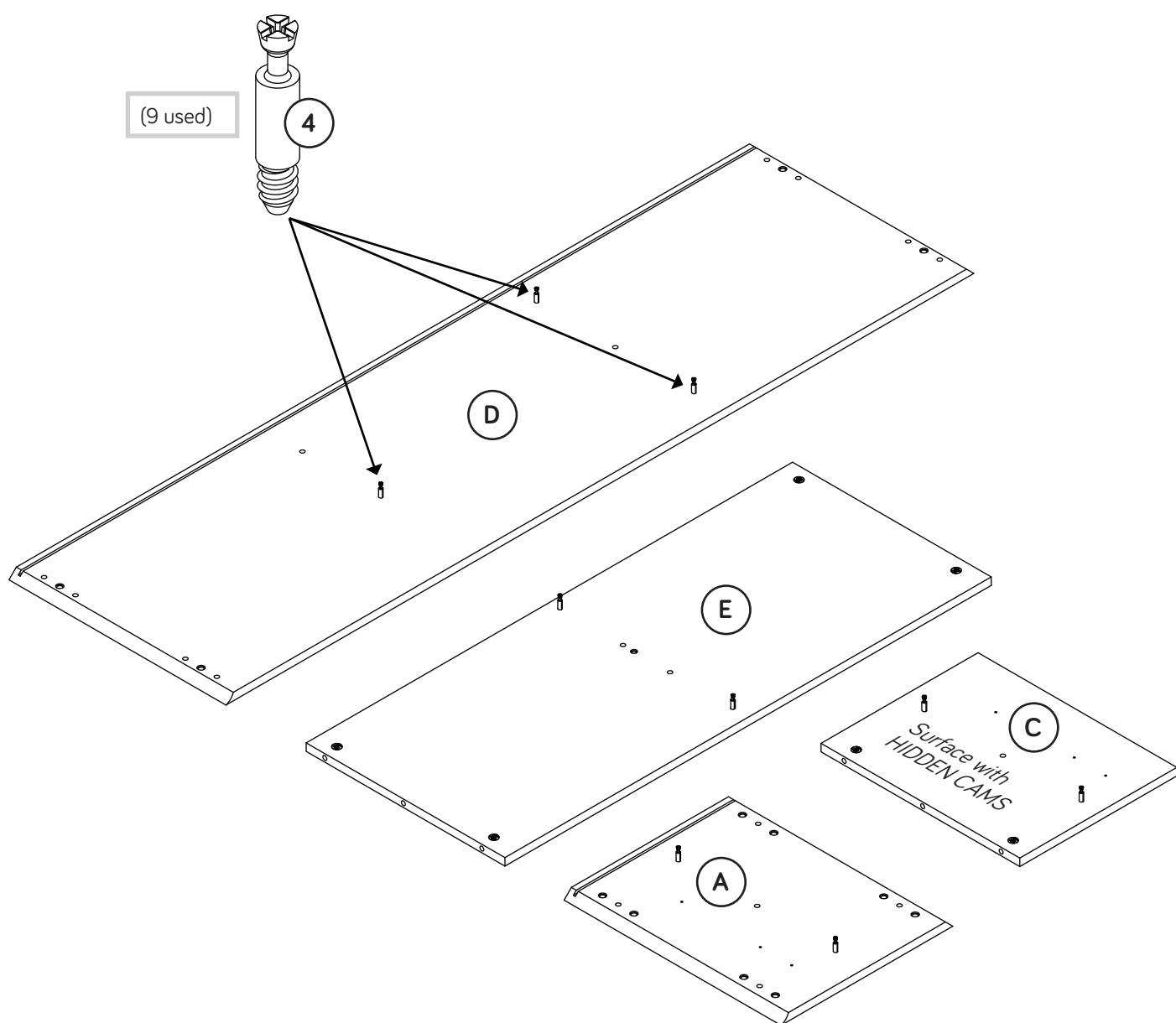
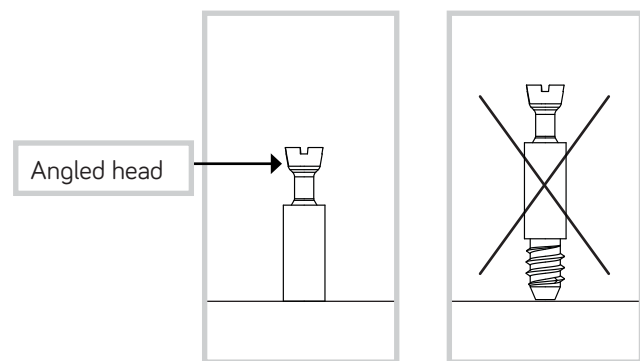


Some assembly (and snacks) required.



Step 2

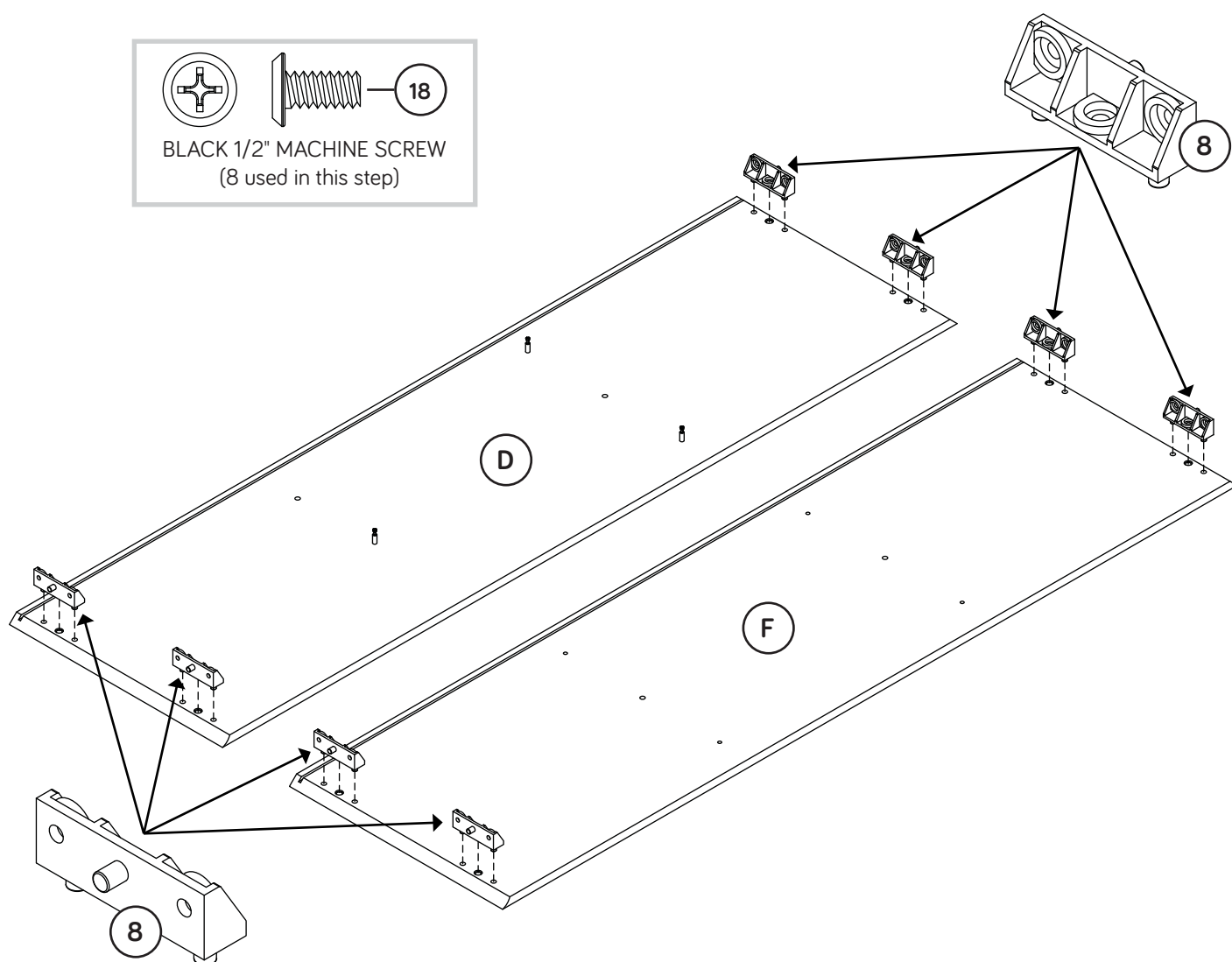
- Turn nine ANGLED HEAD CAM SCREWS (4) into the exact holes shown in the RIGHT END (A), UPRIGHT (C), TOP (D), and SHELF (E).



Step 3

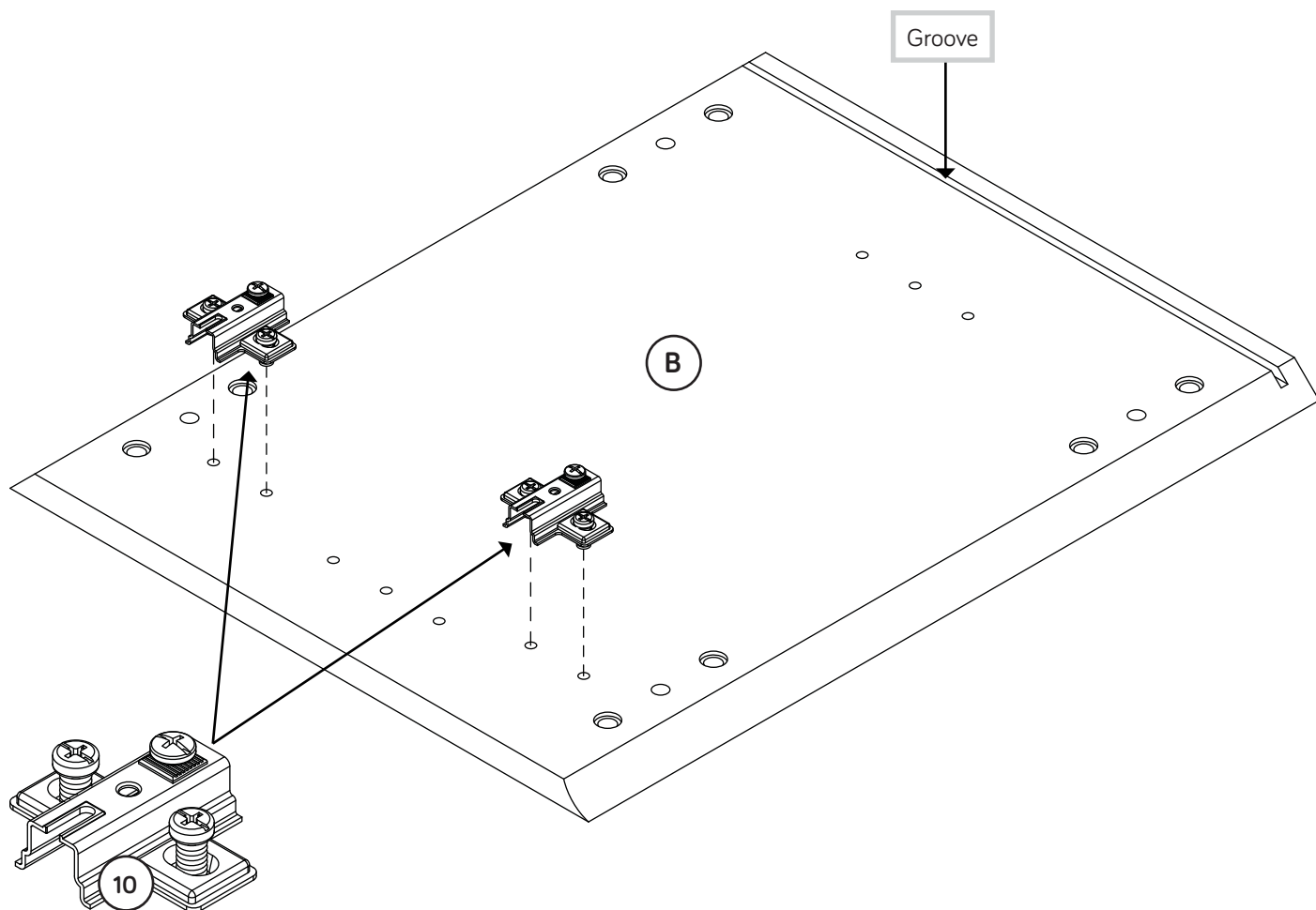
Fasten the PLASTIC BRACKETS (8) to the TOP (D) and BOTTOM (F). Use eight BLACK 1/2" MACHINE SCREWS (18).

NOTE: Be sure to position the BRACKETS exactly as shown.



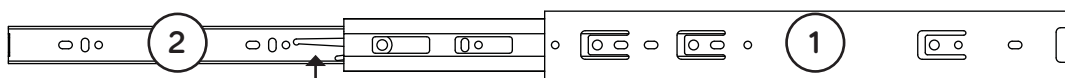
Step 4

- ✚ Fasten the HINGE BRACKETS (10) to the LEFT END (B).
Use the screws in the HINGE BRACKETS.
- ✚ **NOTE:** Be sure to position the HINGE BRACKETS exactly as shown.

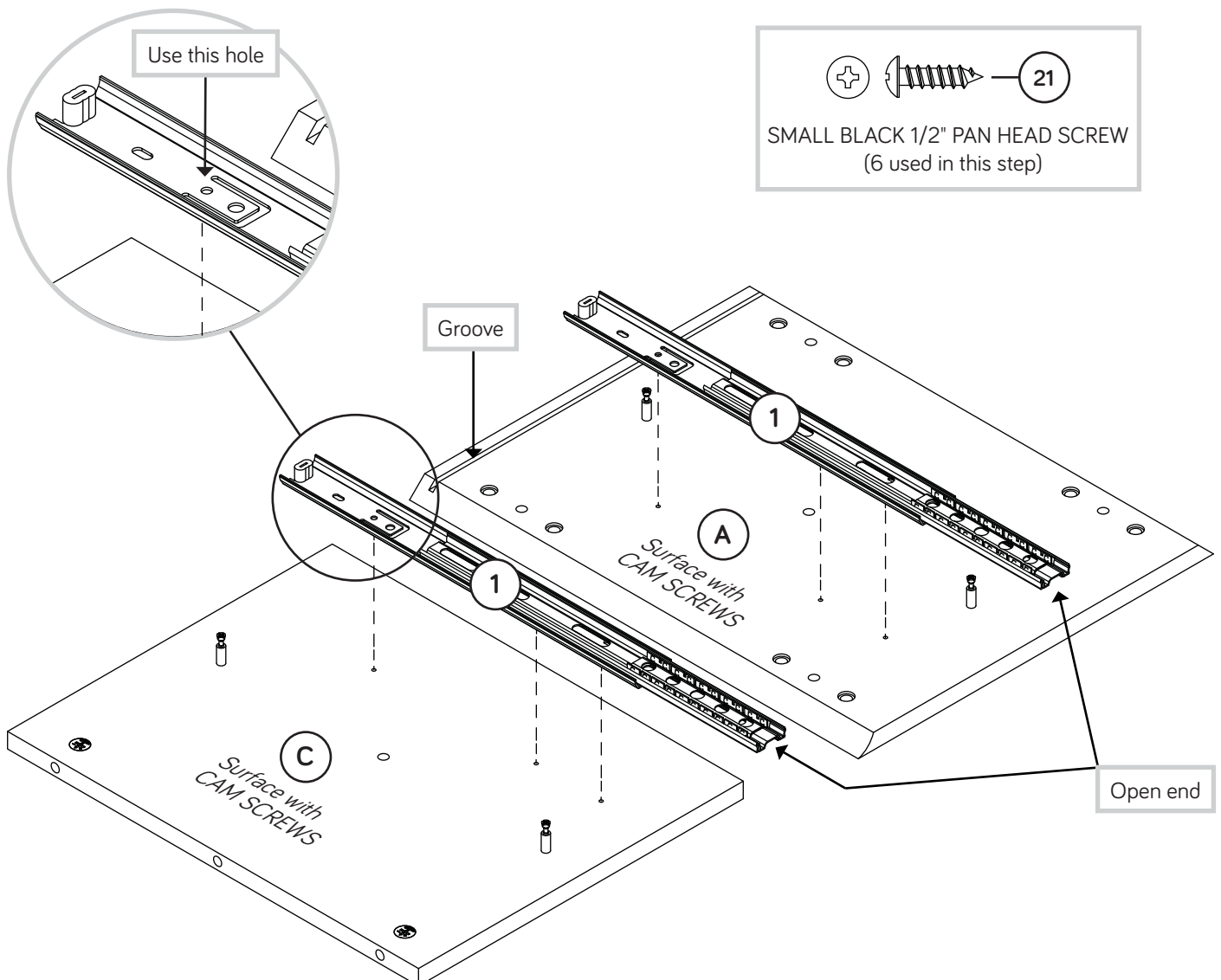


Step 5

- ✦ Separate the EXTENSION SLIDES (2) from the EXTENSION RAILS (1) as shown in the upper diagram below. Be prepared, the parts are greasy.
- ✦ Fasten two EXTENSION RAILS (1) to the RIGHT END (A) and UPRIGHT (C). Use six SMALL BLACK 1/2" PAN HEAD SCREWS (21).
- ✦ **NOTE:** Use the exact holes shown.
- ✦ **NOTE:** For each EXTENSION RAIL, turn a SCREW into the hole shown in the enlarged diagram. Then, slide the inner cartridge of the EXTENSION RAIL out to find the other holes that line up with the holes in the END and UPRIGHT. Turn a SCREW into these holes.



Pull down on the black lever and pull the SLIDE from the RAIL.

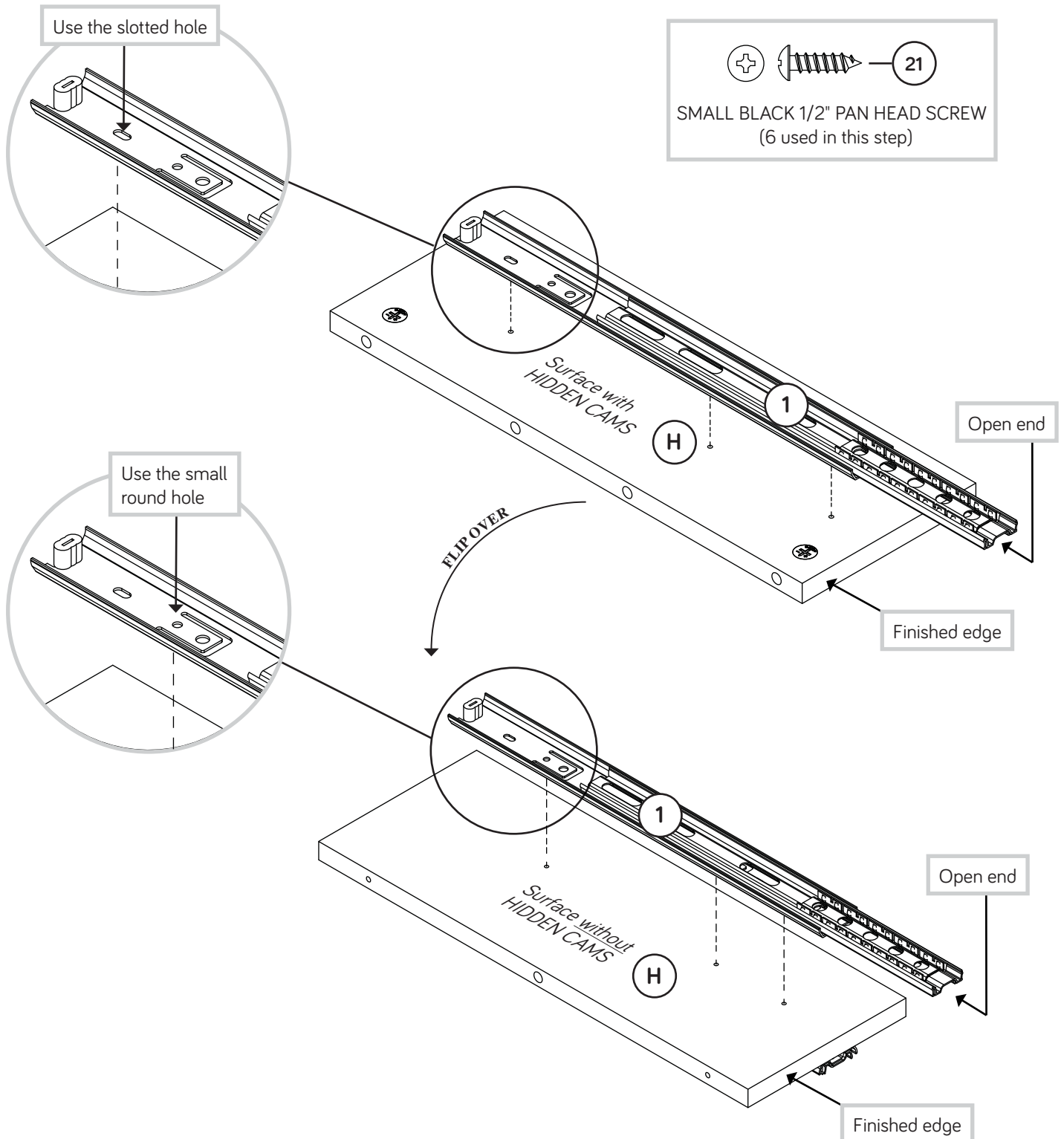


Step 6

✚ Fasten two EXTENSION RAILS (1) to both surfaces of the LOWER DIVIDER (H). Use six SMALL BLACK 1/2" PAN HEAD SCREWS (21).

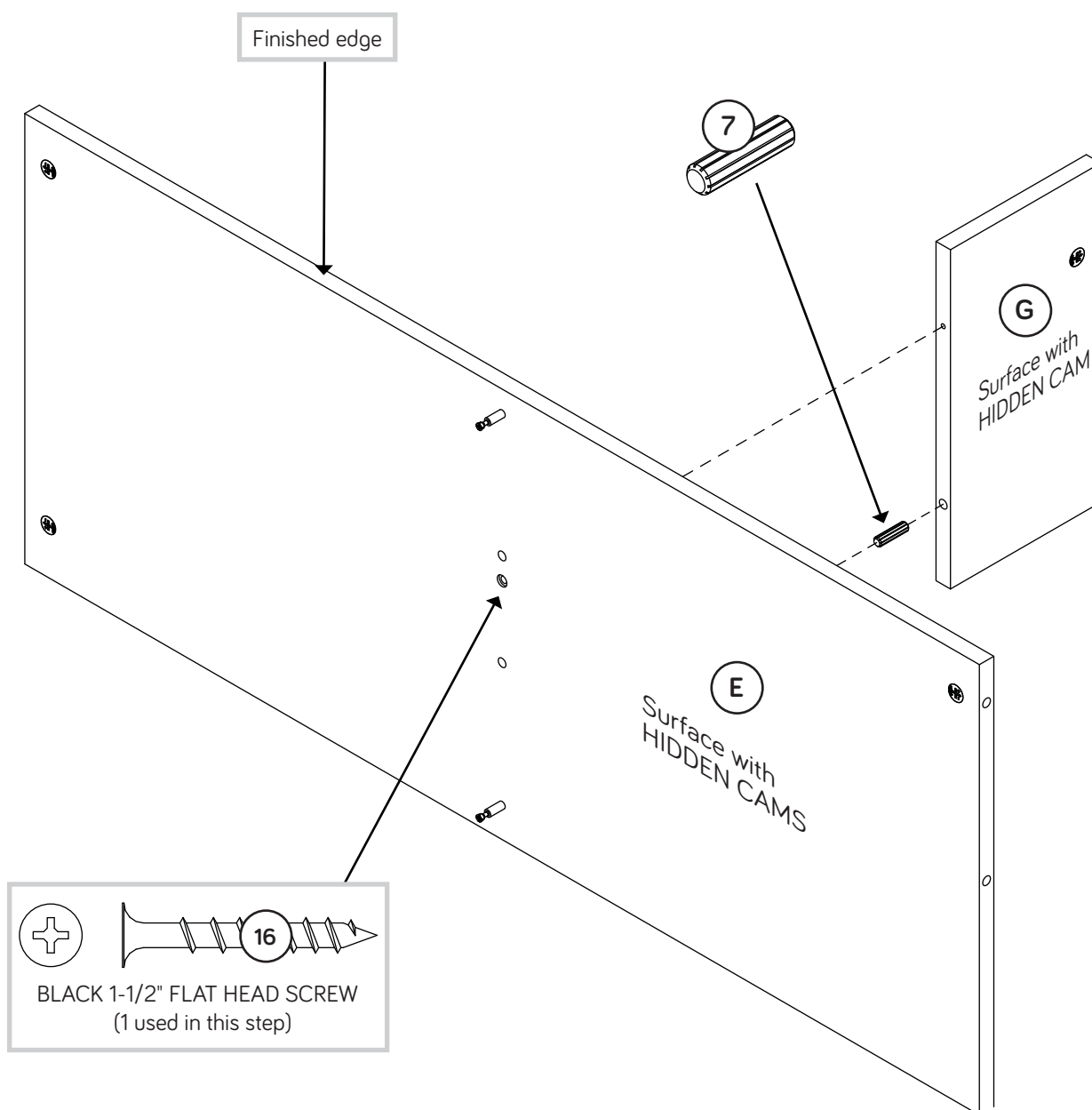
✚ **NOTE:** Use the exact holes shown.

✚ **NOTE:** For each EXTENSION RAIL, turn a SCREW into the hole shown in the enlarged diagram. Then, slide the inner cartridge of the EXTENSION RAIL out to find the other holes that line up with the holes in the LOWER DIVIDER. Turn a SCREW into these holes.



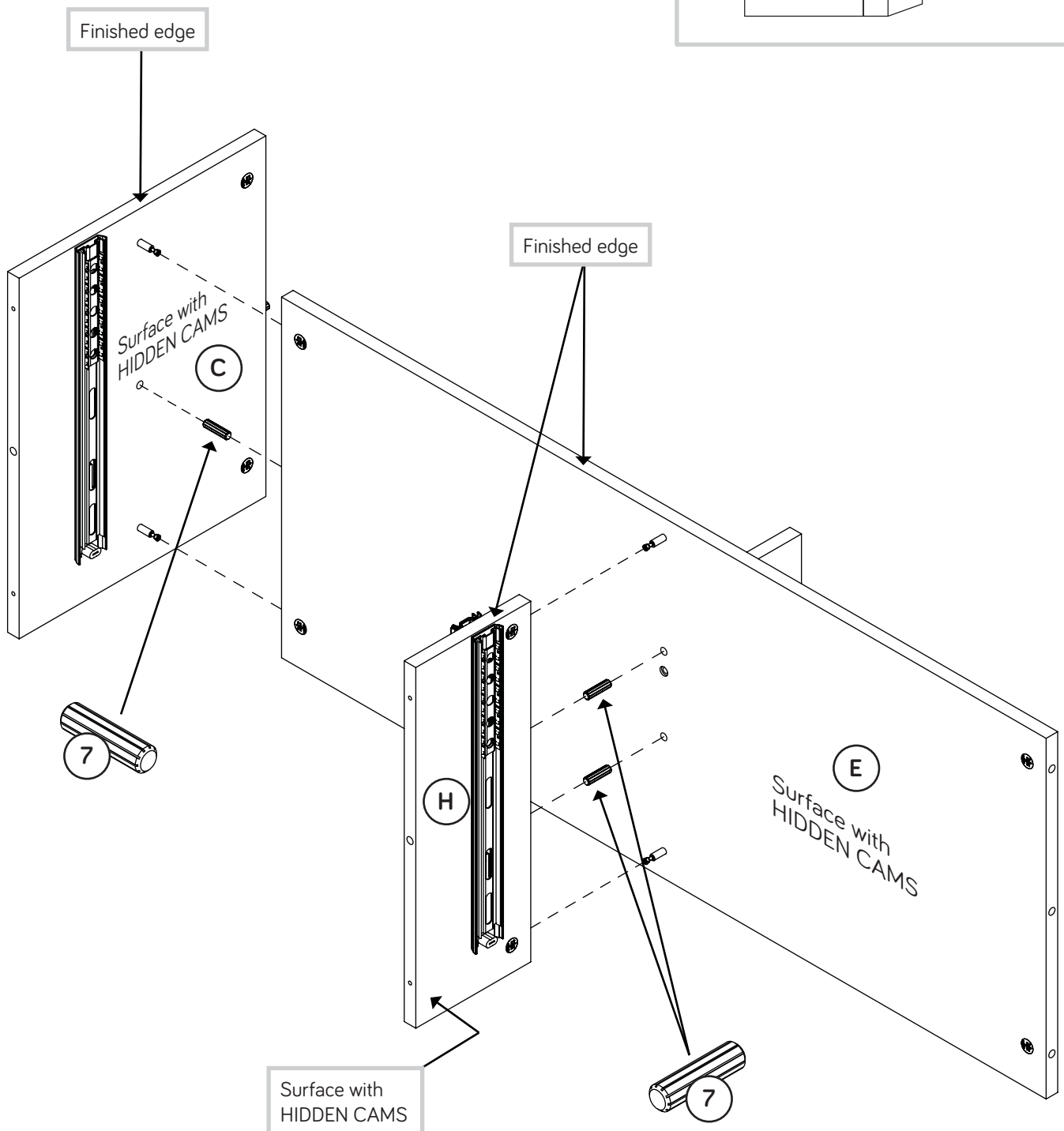
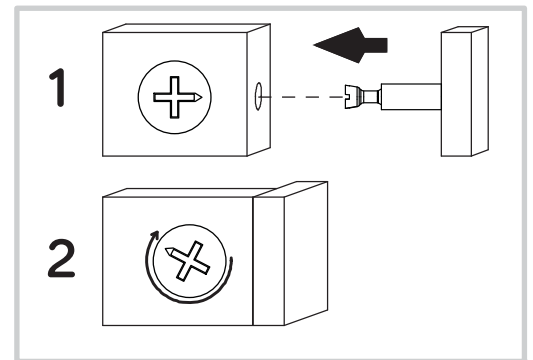
Step 7

- ✚ Push a WOOD DOWEL (7) into the exact hole shown in the UPPER DIVIDER (G).
- ✚ Fasten the UPPER DIVIDER (G) to the SHELF (E). Use a BLACK 1-1/2" FLAT HEAD SCREW (16).
- ✚ NOTE: Be sure the WOOD DOWEL in the UPPER DIVIDER inserts into the hole in the SHELF.



Step 8

- ✚ Push three WOOD DOWELS (7) into the exact holes shown in the SHELF (E).
- ✚ Fasten the UPRIGHT (C) and LOWER DIVIDER (H) to the SHELF (E). Tighten four HIDDEN CAMS.
- ✚ **NOTE:** Be sure the WOOD DOWELS in the SHELF insert into the holes in the UPRIGHT and LOWER DIVIDER.

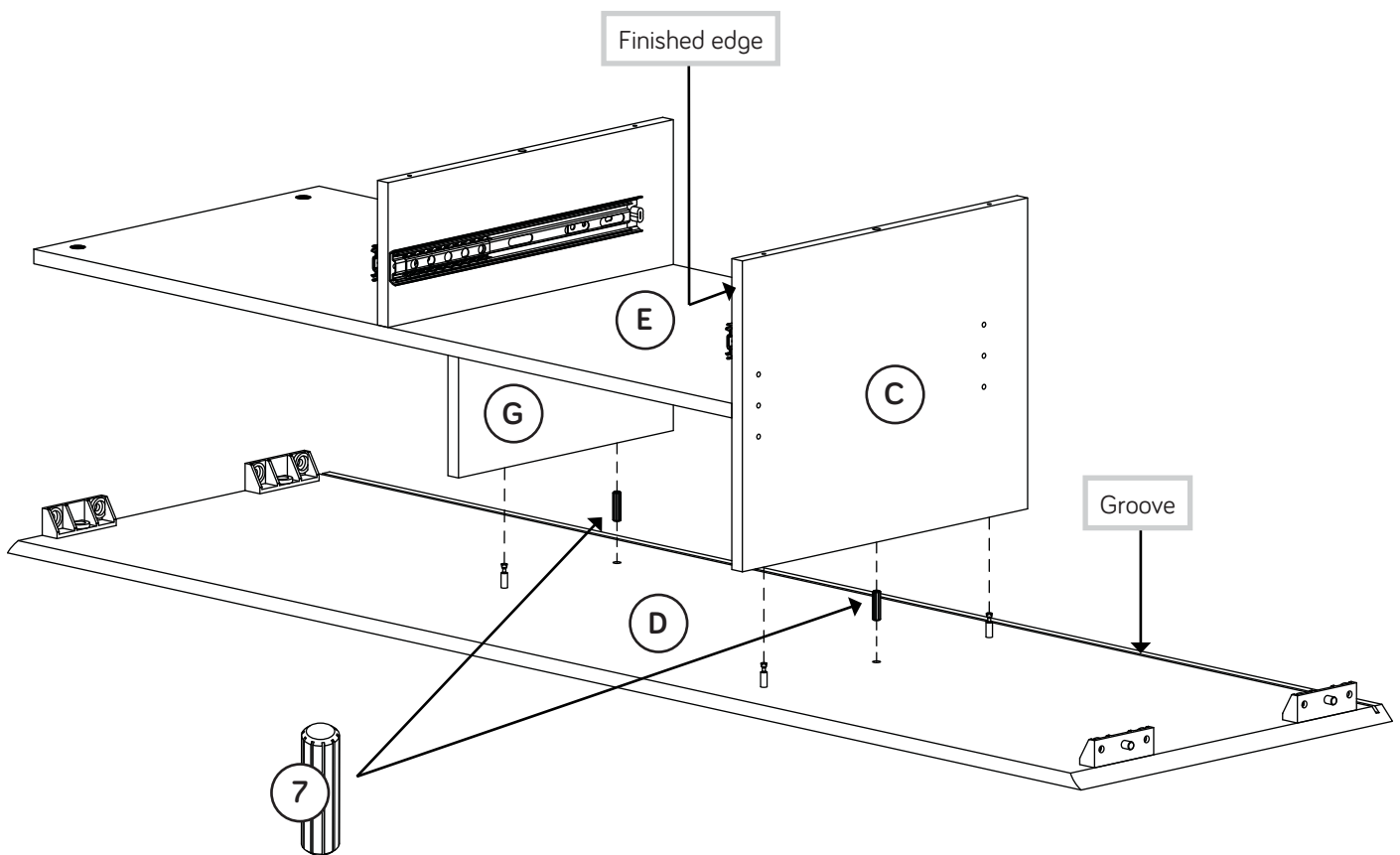


Step 9

- ✚ Push two WOOD DOWELS (7) into the exact holes shown in the TOP (D).
- ✚ Fasten the UPRIGHT (C) and UPPER DIVIDER (G) to the TOP (D). Tighten three HIDDEN CAMS.
- ✚ NOTE: Be sure the WOOD DOWELS in the TOP insert into the holes in the UPRIGHT and UPPER DIVIDER.

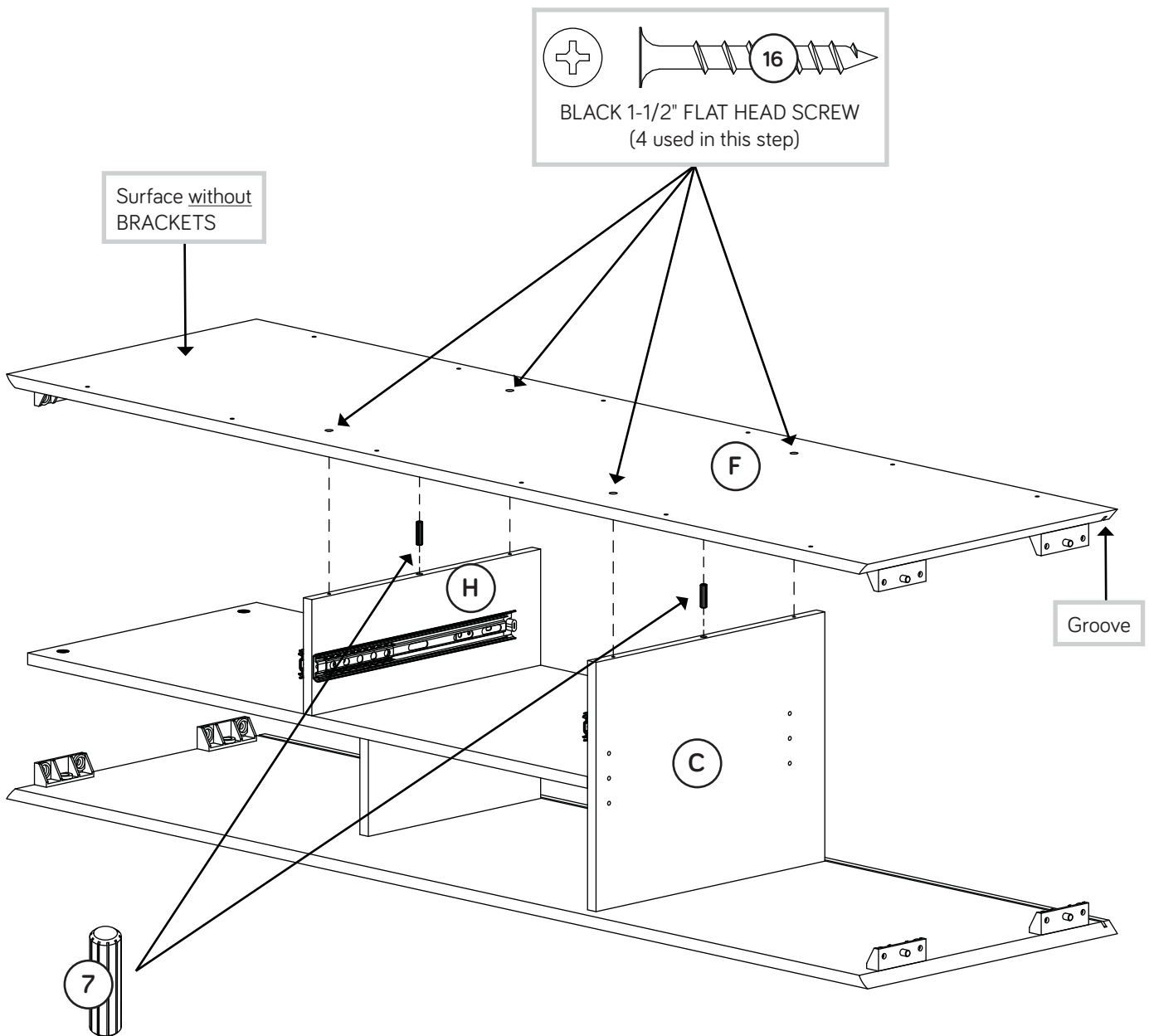


Now might be a good time to refresh your drink.



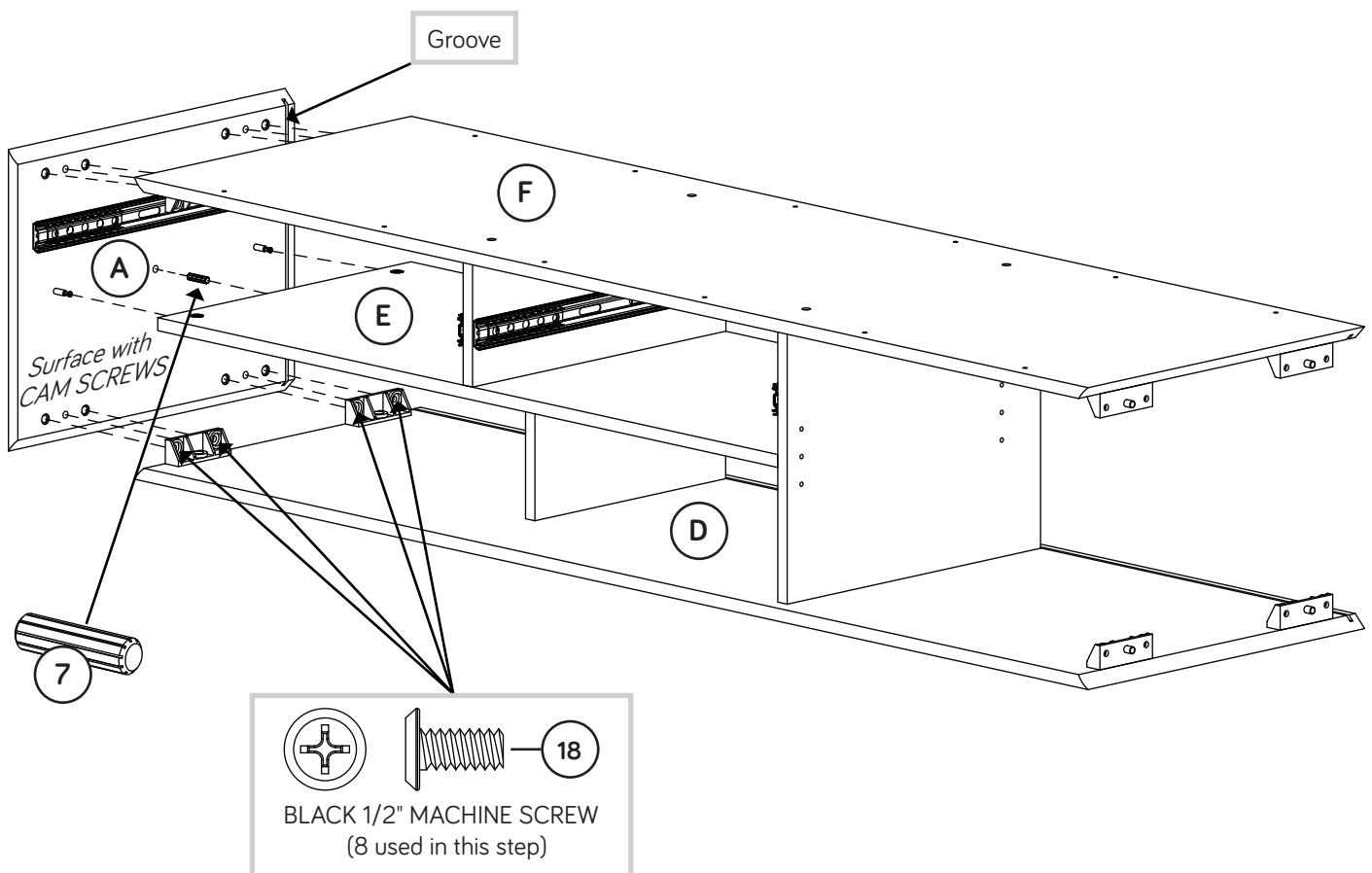
Step 10

- ✚ Push two WOOD DOWELS (7) into the exact hole shown in the UPRIGHT (C) and LOWER DIVIDER (H).
- ✚ Fasten the BOTTOM (F) to the UPRIGHT (C) and LOWER DIVIDER (H). Use four BLACK 1-1/2" FLAT HEAD SCREWS (16).
- ✚ NOTE: Be sure the WOOD DOWELS in the UPRIGHT and LOWER DIVIDER insert into the holes in the BOTTOM.



Step 11

- ✚ **NOTE:** You may need to use a Short Screwdriver in this step.
- ✚ Push a WOOD DOWEL (7) into the exact hole shown in the RIGHT END (A).
- ✚ Fasten the RIGHT END (A) to the TOP (D) and BOTTOM (F). Use eight BLACK 1/2" MACHINE SCREWS (18) through the PLASTIC BRACKETS on the TOP and BOTTOM and into the holes in the RIGHT END.
- ✚ Fasten the RIGHT END (A) to the SHELF (E). Tighten two HIDDEN CAMS.
- ✚ **NOTE:** Be sure the WOOD DOWEL in the RIGHT END inserts into the hole in the SHELF.



Step 12

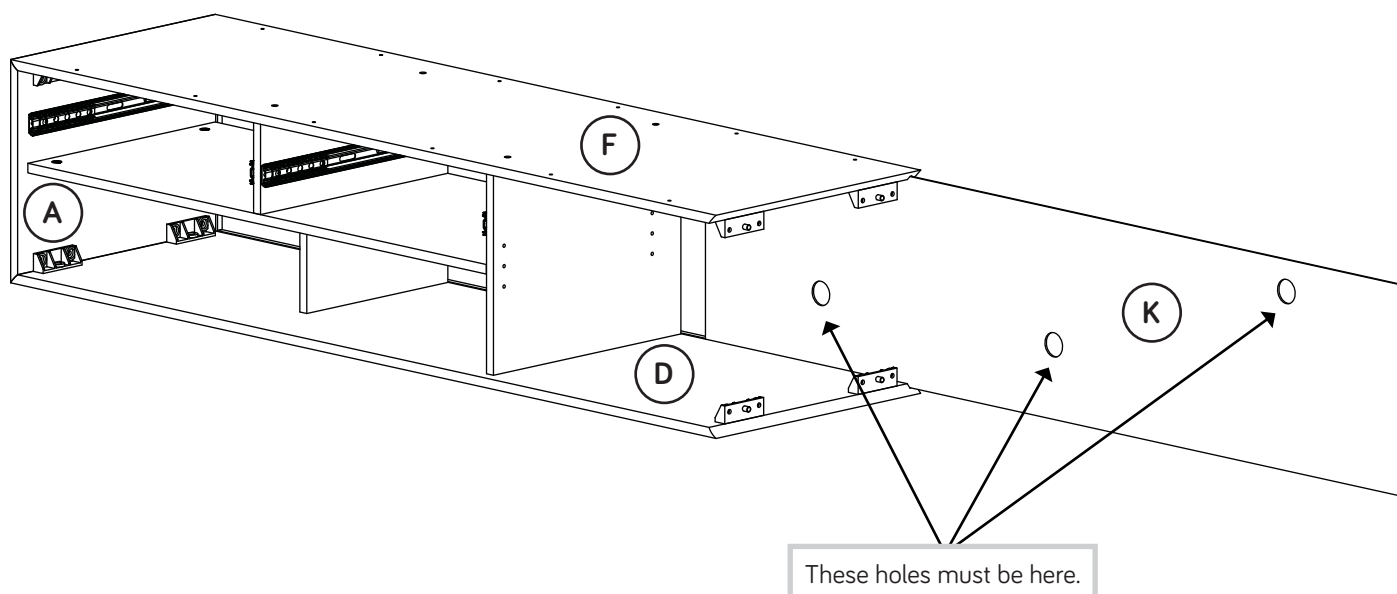
🔧 Slide the BACK (K) into the grooves of the TOP (D) and BOTTOM (F).

🔧 NOTE: Be sure the large holes in the BACKS are positioned as shown.

🔧 NOTE: Be sure the BACK inserts into the groove of the RIGHT END (A).



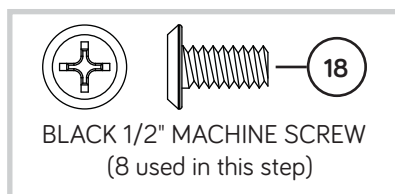
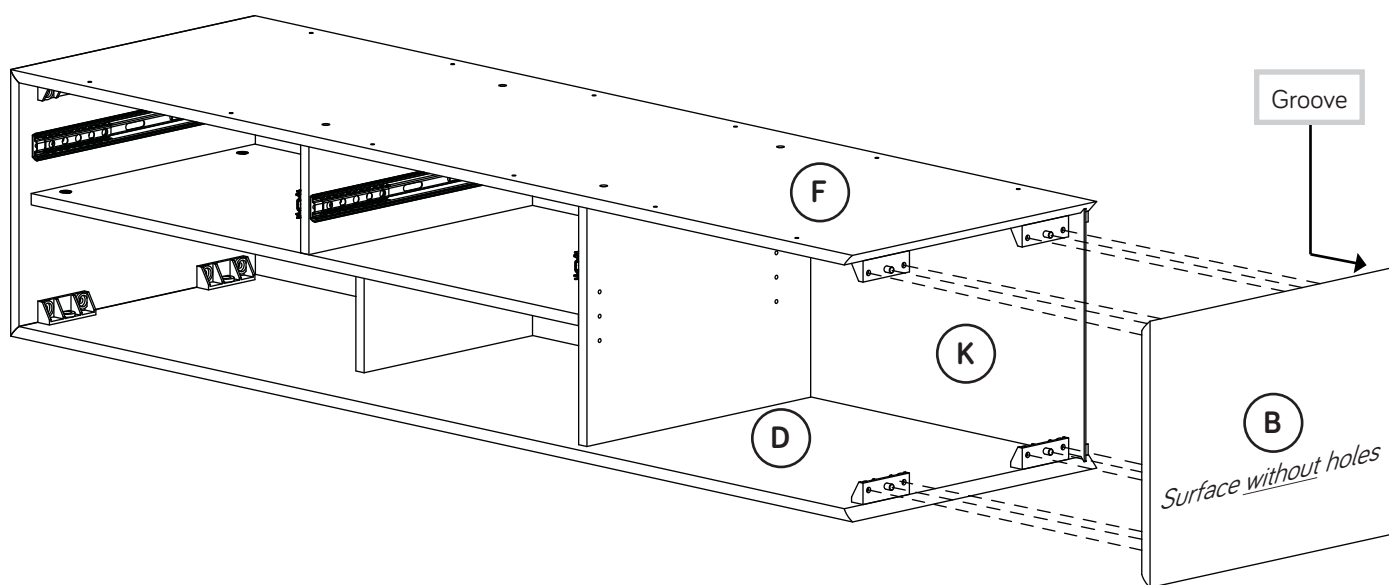
Now might be a good time to refresh your drink.



Step 13

✚ Fasten the LEFT END (B) to the TOP (D) and BOTTOM (F). Use eight BLACK 1/2" MACHINE SCREWS (18) through the PLASTIC BRACKETS on the TOP and BOTTOM and into the holes in the LEFT END.

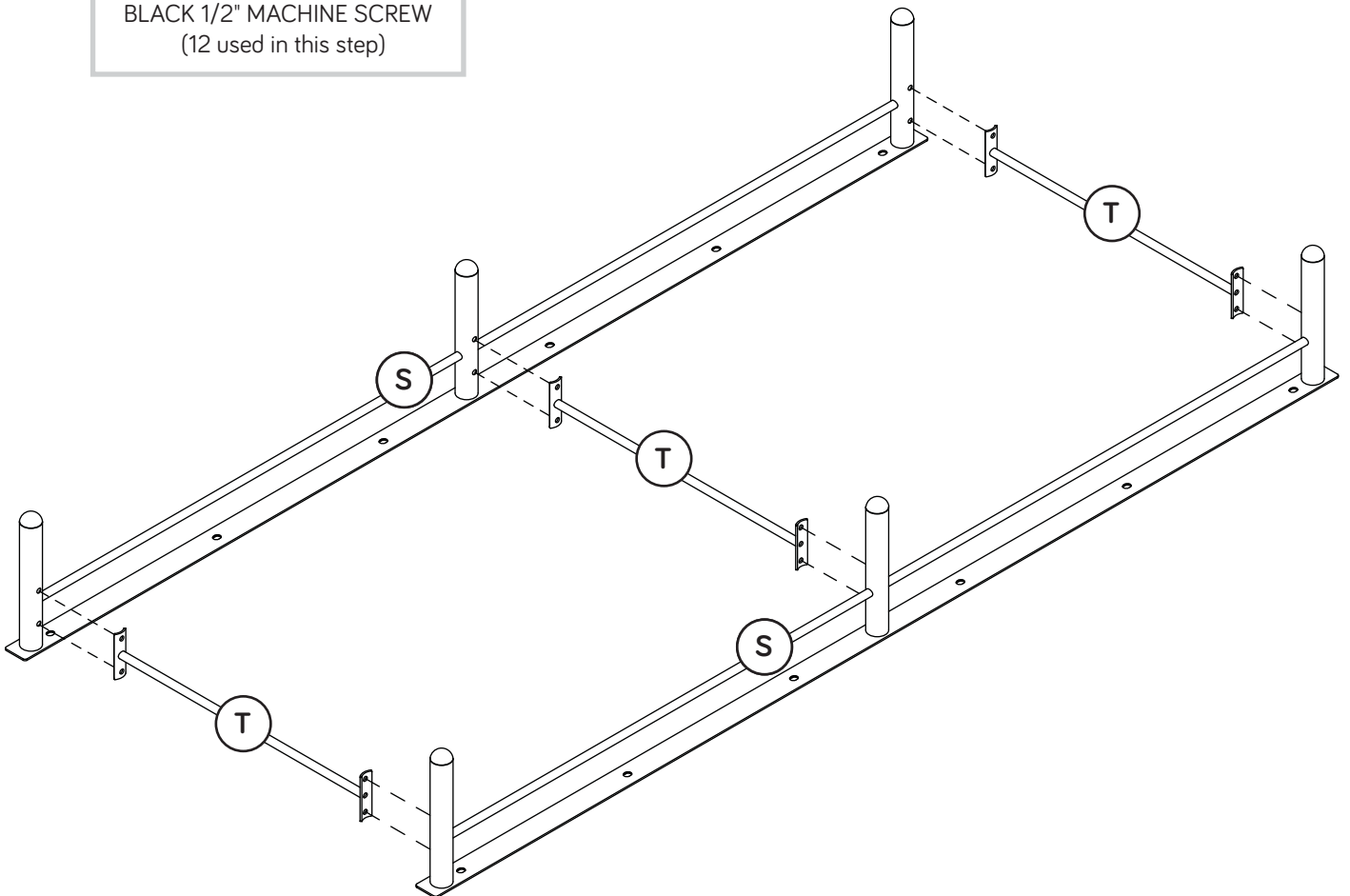
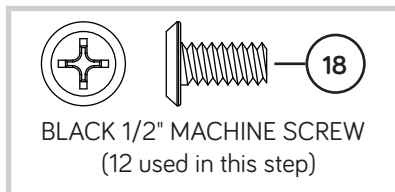
✚ NOTE: Be sure the BACK (K) inserts into the groove of the LEFT END (B).



Step 14

Fasten the **STRETCHERS (T)** to the **LEGS (S)**. Use twelve **BLACK 1/2" MACHINE SCREWS (18)**.

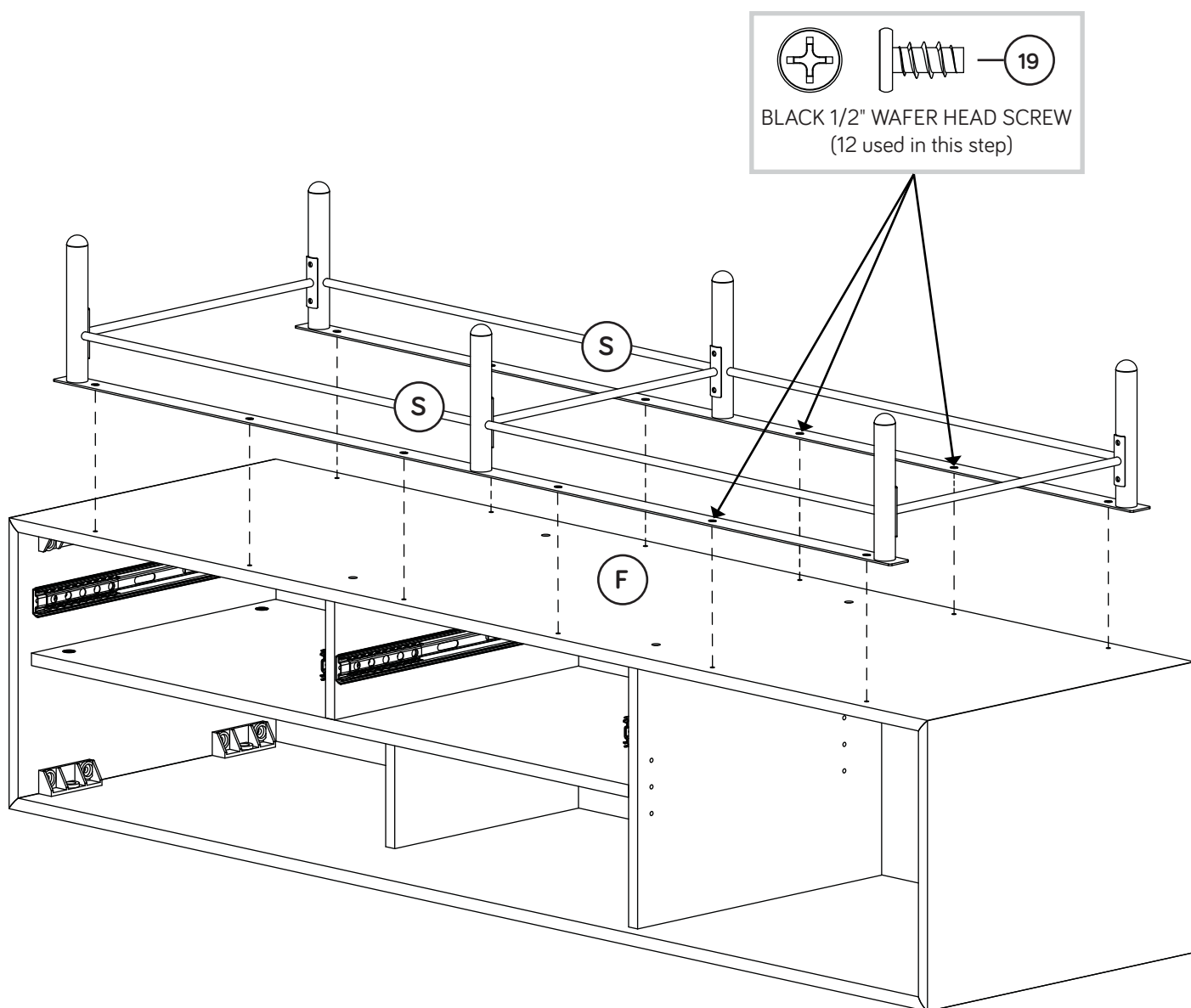
NOTE: You should start each **SCREW** before completely tightening any of them.



Step 15

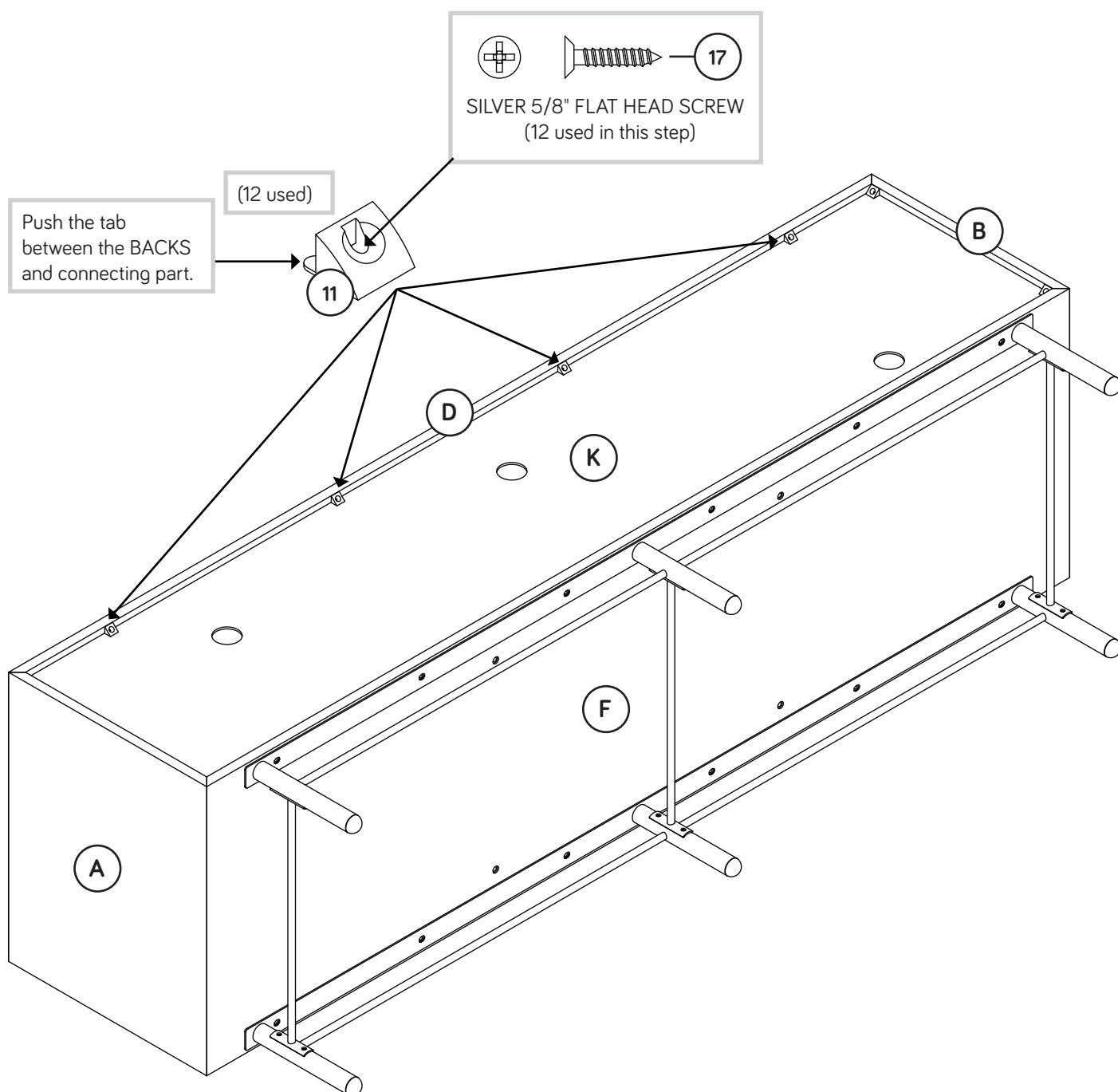
Fasten the LEGS (S) to the BOTTOM (F). Use twelve BLACK 1/2" WAFER HEAD SCREWS (19).

NOTE: You should start each SCREW a few turns before completely tightening any of them.



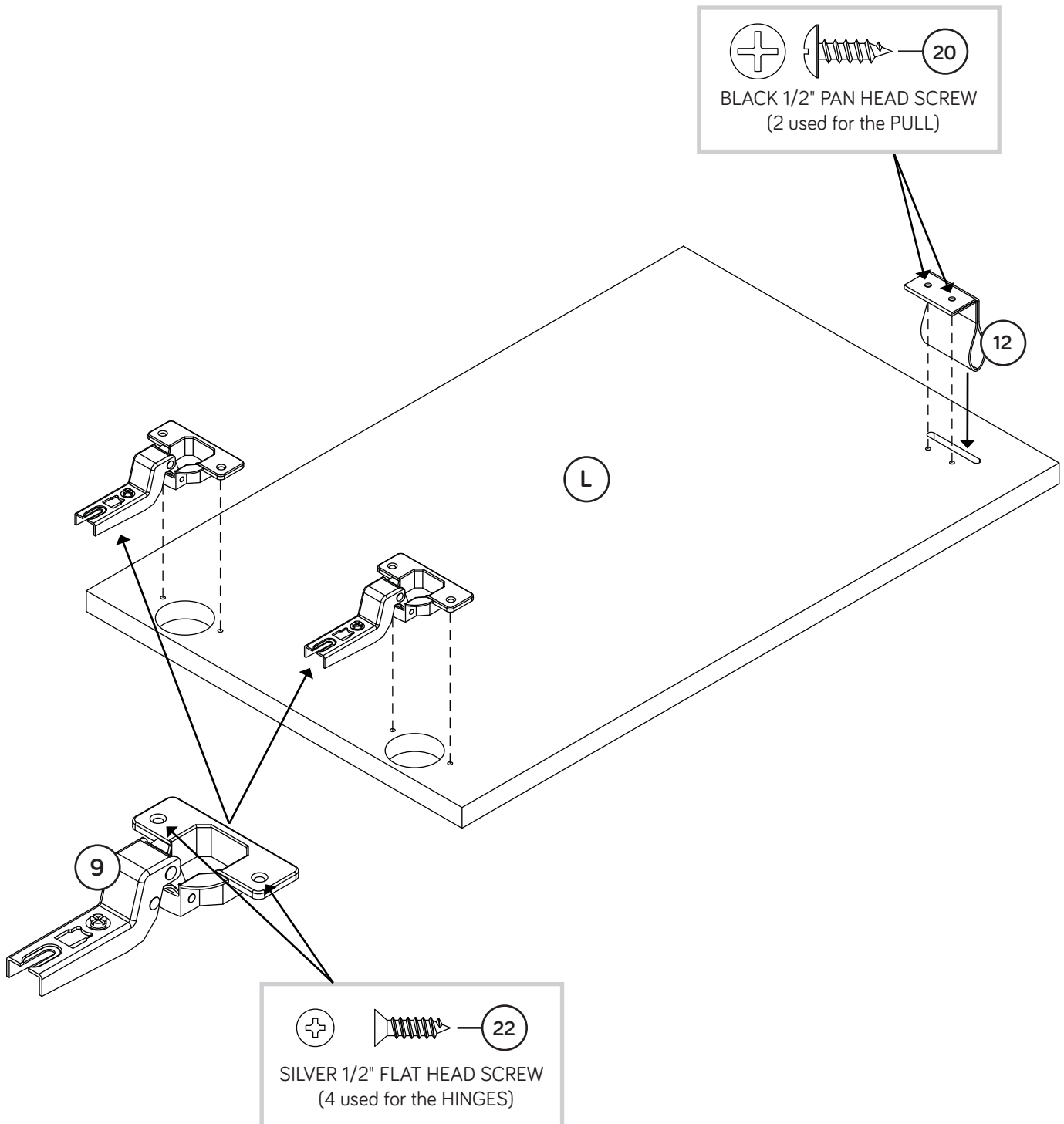
Step 16

- ✚ Carefully turn your unit onto its front edges.
- ✚ Push twelve CLIPS (11) between the BACK (K) and connecting ENDS (A and B), TOP (D), and BOTTOM (F).
- ✚ Then, fasten the CLIPS (11) with twelve SILVER 5/8" FLAT HEAD SCREWS (17).



Step 17

- ✚ Fasten the HINGES (9) to the DOOR (L). Use four SILVER 1/2" FLAT HEAD SCREWS (22).
- ✚ Then, insert a PULL (12) through the slot in the DOOR (L).
- ✚ Next, fasten the back of the PULL (12) to the DOOR (L). Use two BLACK 1/2" PAN HEAD SCREWS (20).

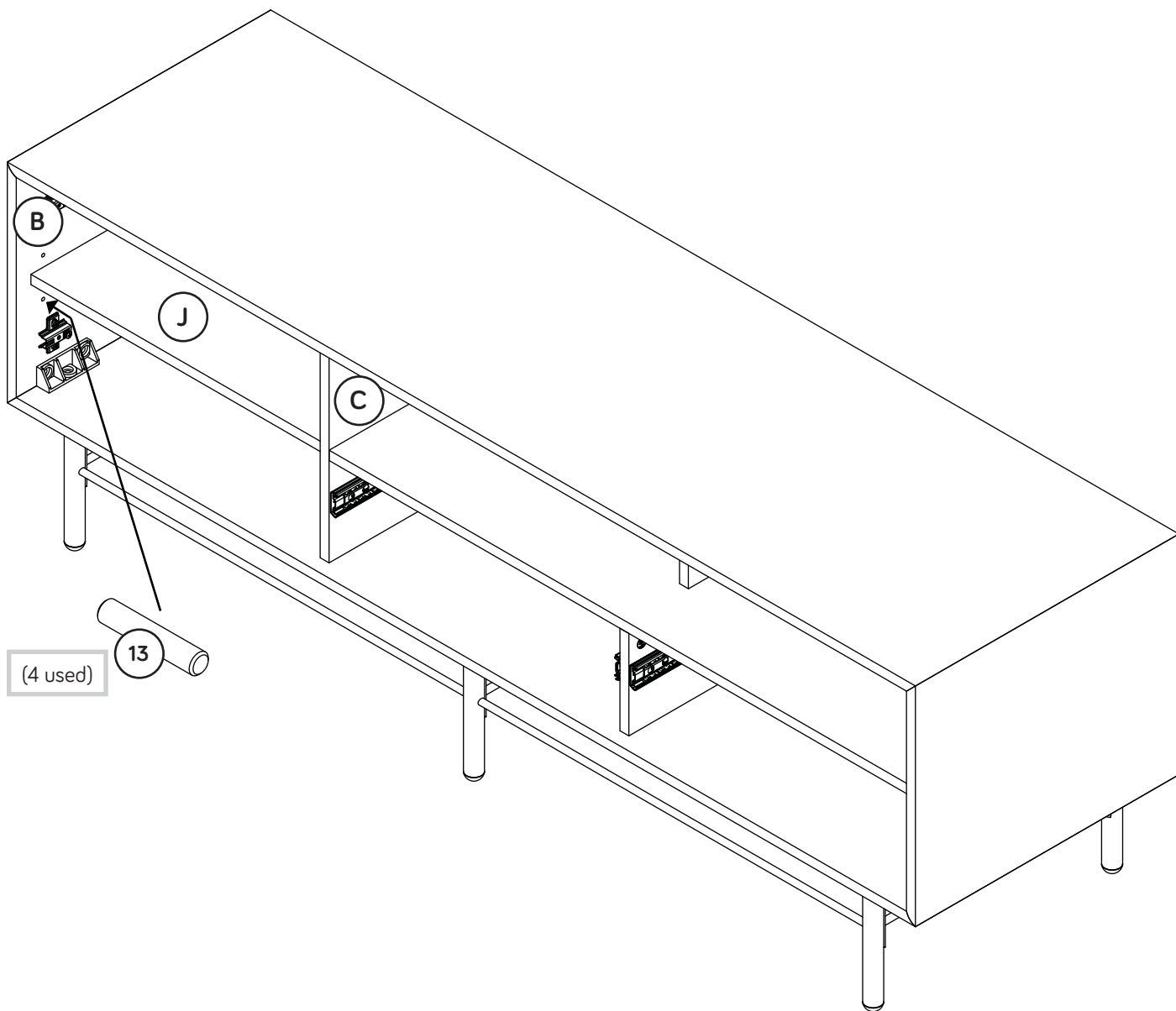


Step 18

- ✚ Carefully stand your unit upright.
- ✚ Insert the METAL PINS (13) into the hole locations of your choice in the LEFT END (B) and UPRIGHT (C). Set the ADJUSTABLE SHELF (J) onto the METAL PINS.

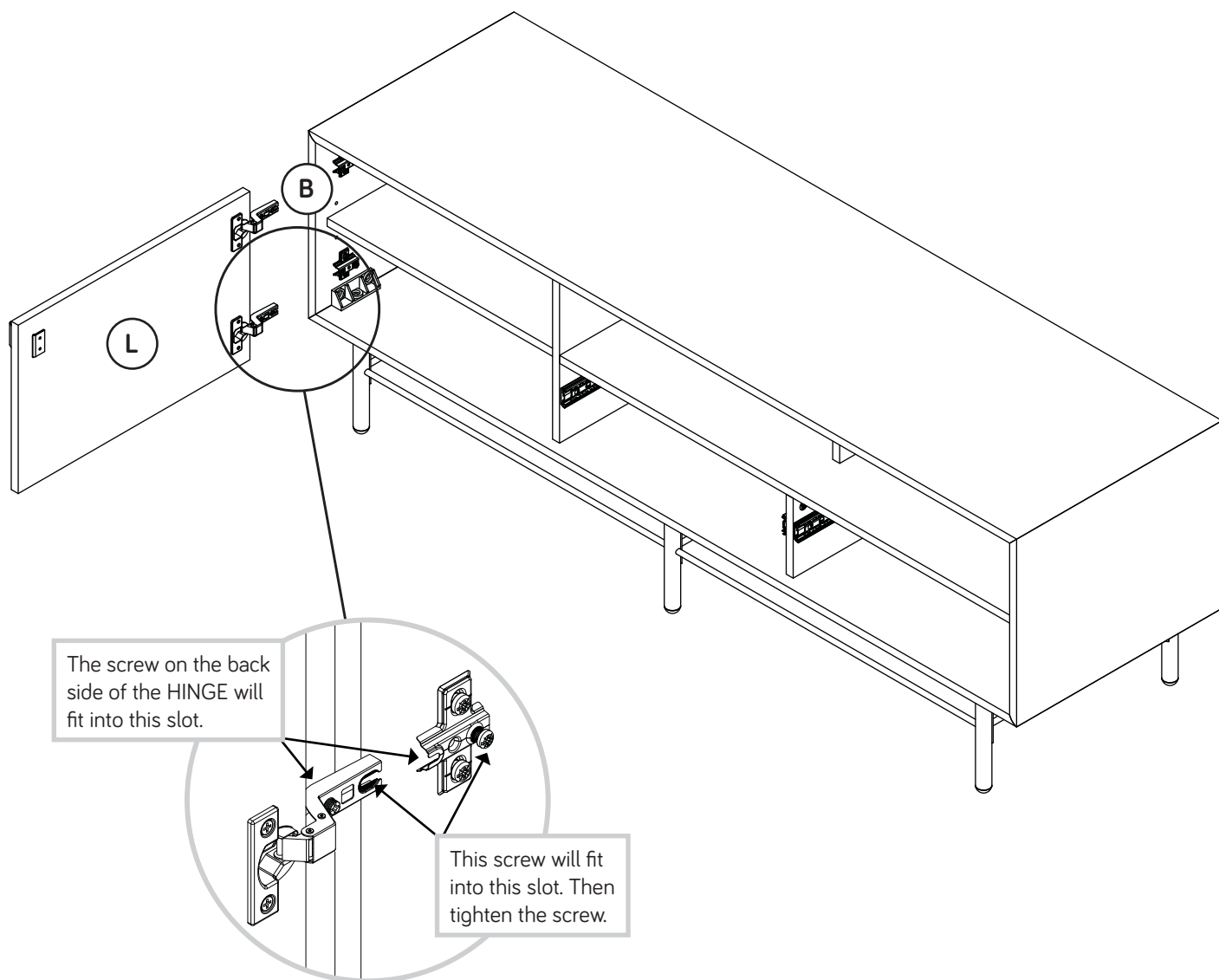


Pro Tip: Lift with your legs. And, you know, your arms.



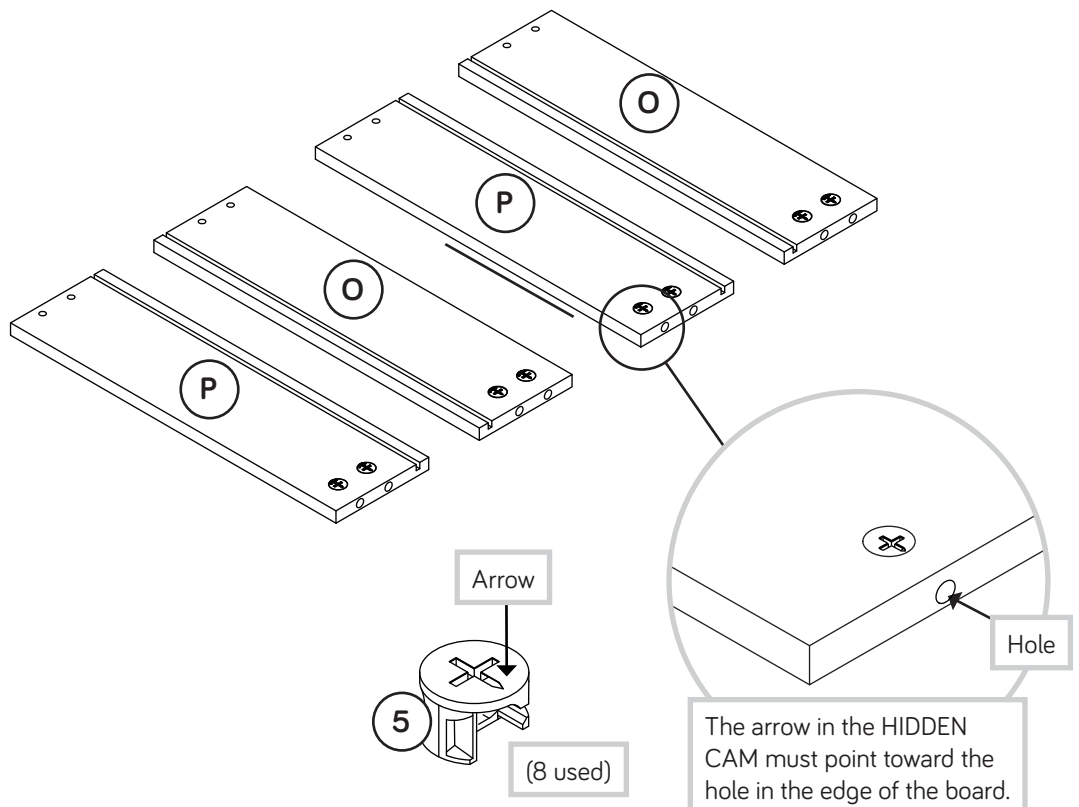
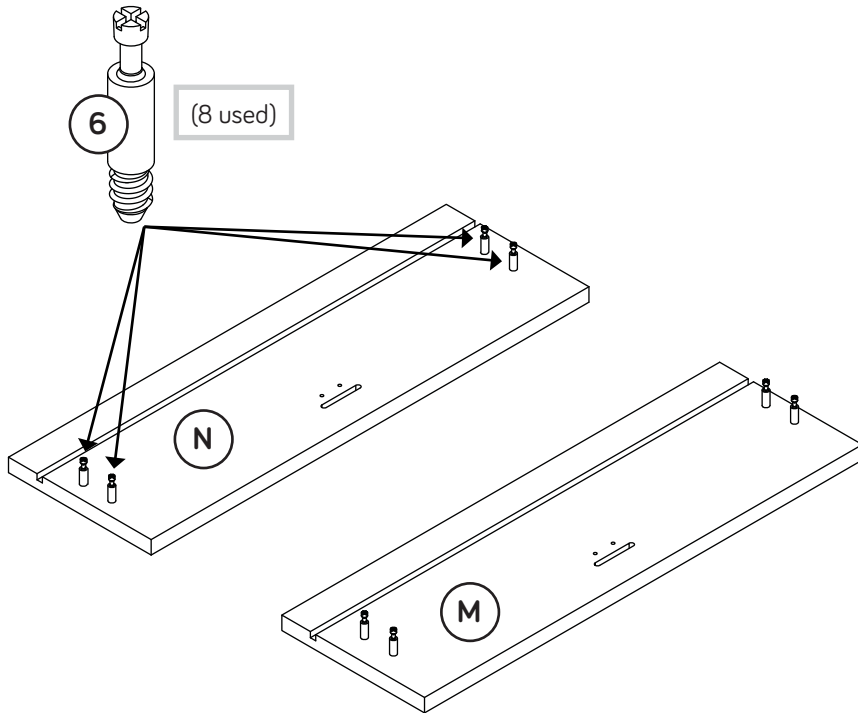
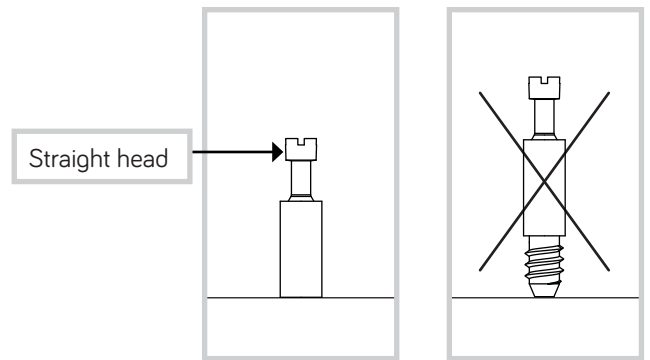
Step 19

- ✚ Fasten the HINGES on the DOOR (L) to the HINGE BRACKETS on the LEFT END (B).
- ✚ Follow the large diagram below fastening both HINGES to the HINGE BRACKETS keeping the DOOR vertical at all times.



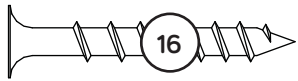
Step 20

- Turn eight STRAIGHT HEAD CAM SCREWS (6) into the DRAWER FRONTS (M and N).
- Push eight SMALL HIDDEN CAMS (5) into the DRAWER SIDES (O and P).

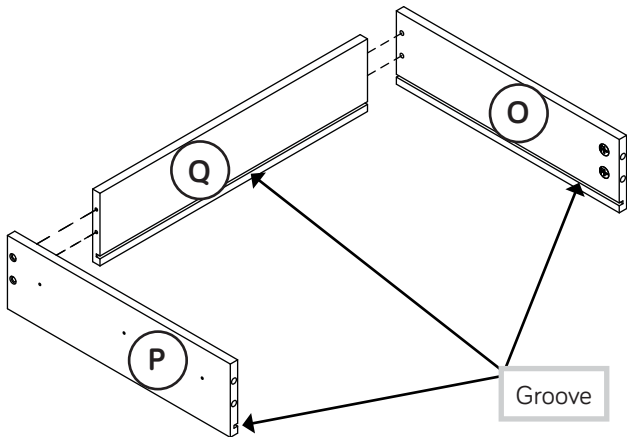


Step 21

1

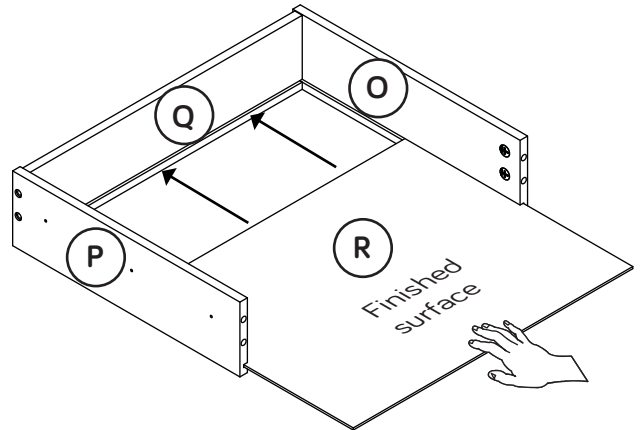


BLACK 1-1/2" FLAT HEAD SCREW
(8 used in this step)



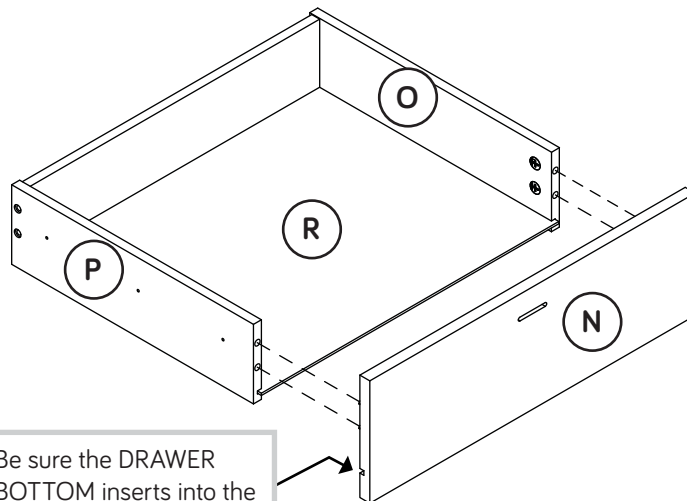
Fasten the DRAWER SIDES (O and P) to the DRAWER BACK (Q). Use four BLACK 1-1/2" FLAT HEAD SCREWS (16).

2



Slide the DRAWER BOTTOM (R) into the grooves in the DRAWER SIDES (O and P) and DRAWER BACK (Q).

3



Be sure the DRAWER BOTTOM inserts into the DRAWER FRONT groove.

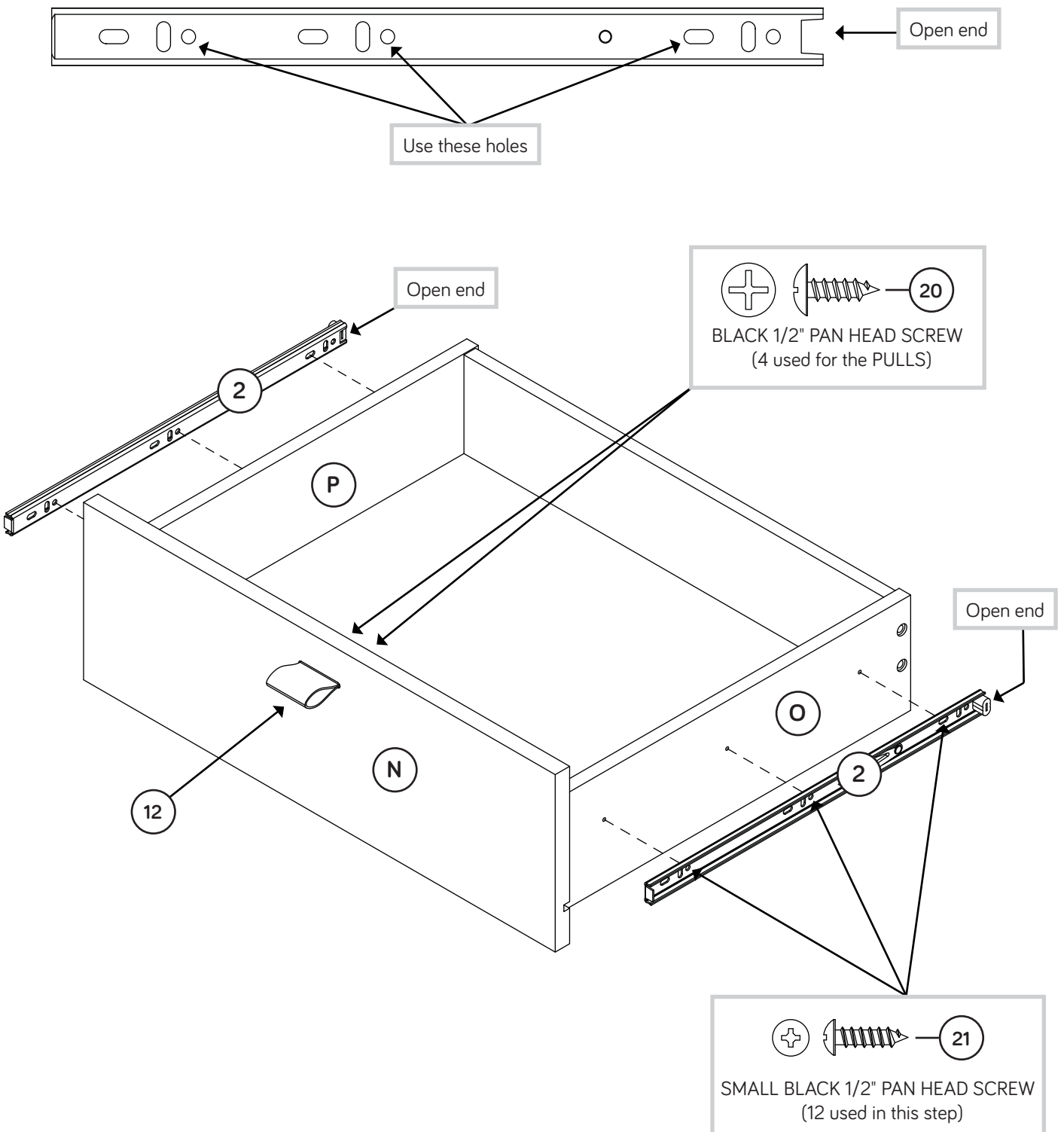
Fasten the LEFT DRAWER FRONT (N) to the DRAWER SIDES (O and P). Tighten four HIDDEN CAMS.

NOTE: Be sure the DRAWER BOTTOM (R) inserts into the groove of the LEFT DRAWER FRONT (N).

Repeat this step for the other drawer using the RIGHT DRAWER FRONT (M).

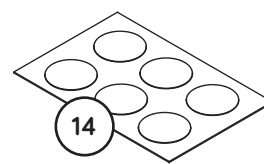
Step 22

- Fasten the EXTENSION SLIDES (2) to the DRAWER SIDES (O and P). Use six BLACK 1/2" PAN HEAD SCREWS (21).
- NOTE:** Be sure to use the exact holes shown.
- Then, insert a PULL (12) through the slot in the LEFT DRAWER FRONT (N).
- Next, fasten the back of the PULL (12) to the LEFT DRAWER FRONT (N). Use two BLACK 1/2" PAN HEAD SCREWS (20).
- Repeat this step for the other drawer.

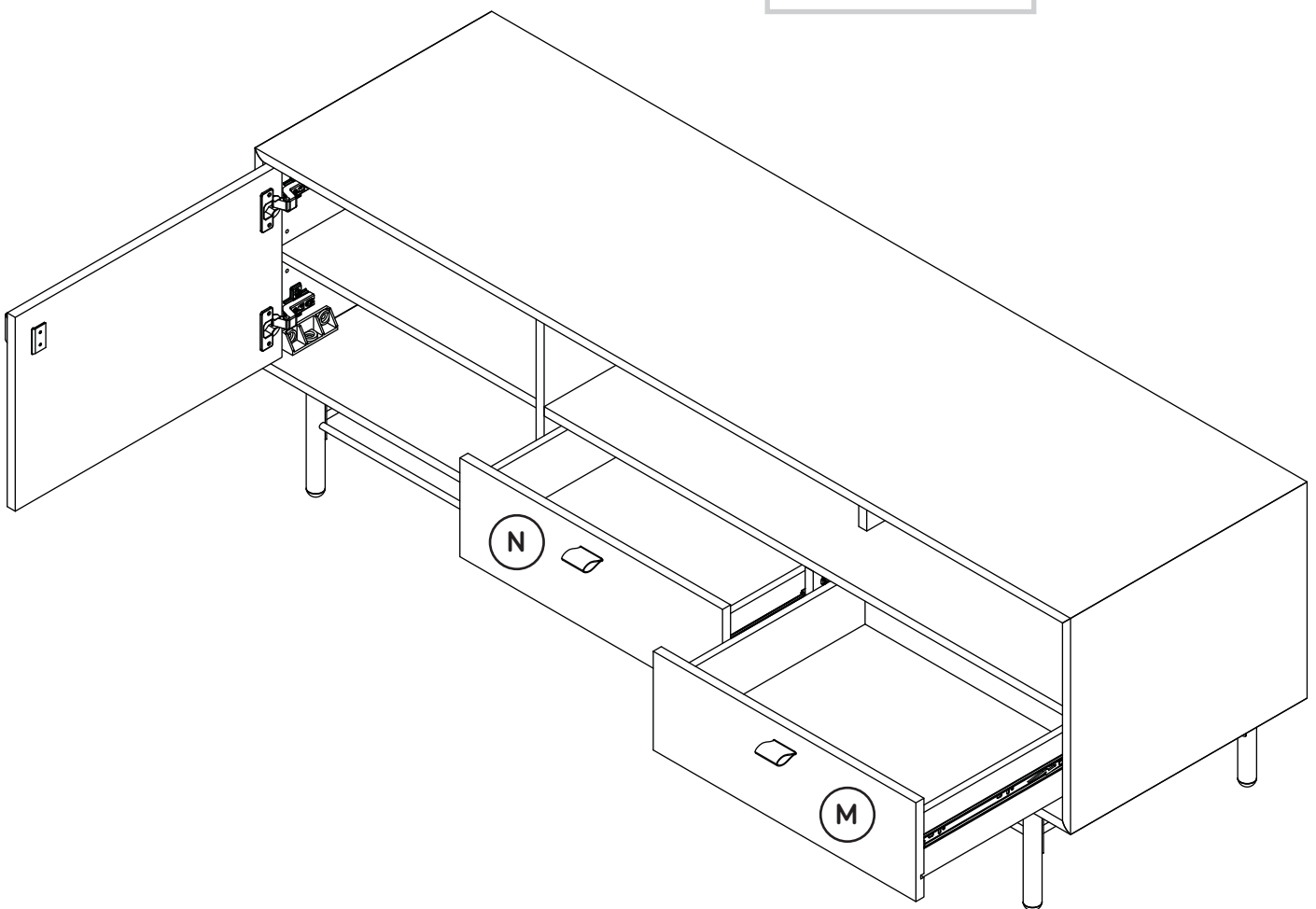


Step 23

- ✦ Peel APPLIQUES from the APPLIQUE CARD (14) and stick them onto each visible HIDDEN CAM.
- ✦ To insert the drawers into your unit, line up the EXTENSION SLIDES on the drawers with the EXTENSION RAILS on the unit and push the drawers into the unit until the drawers are fully inserted. The drawers will push in hard until they are all the way in, then they will slide in and out easier.



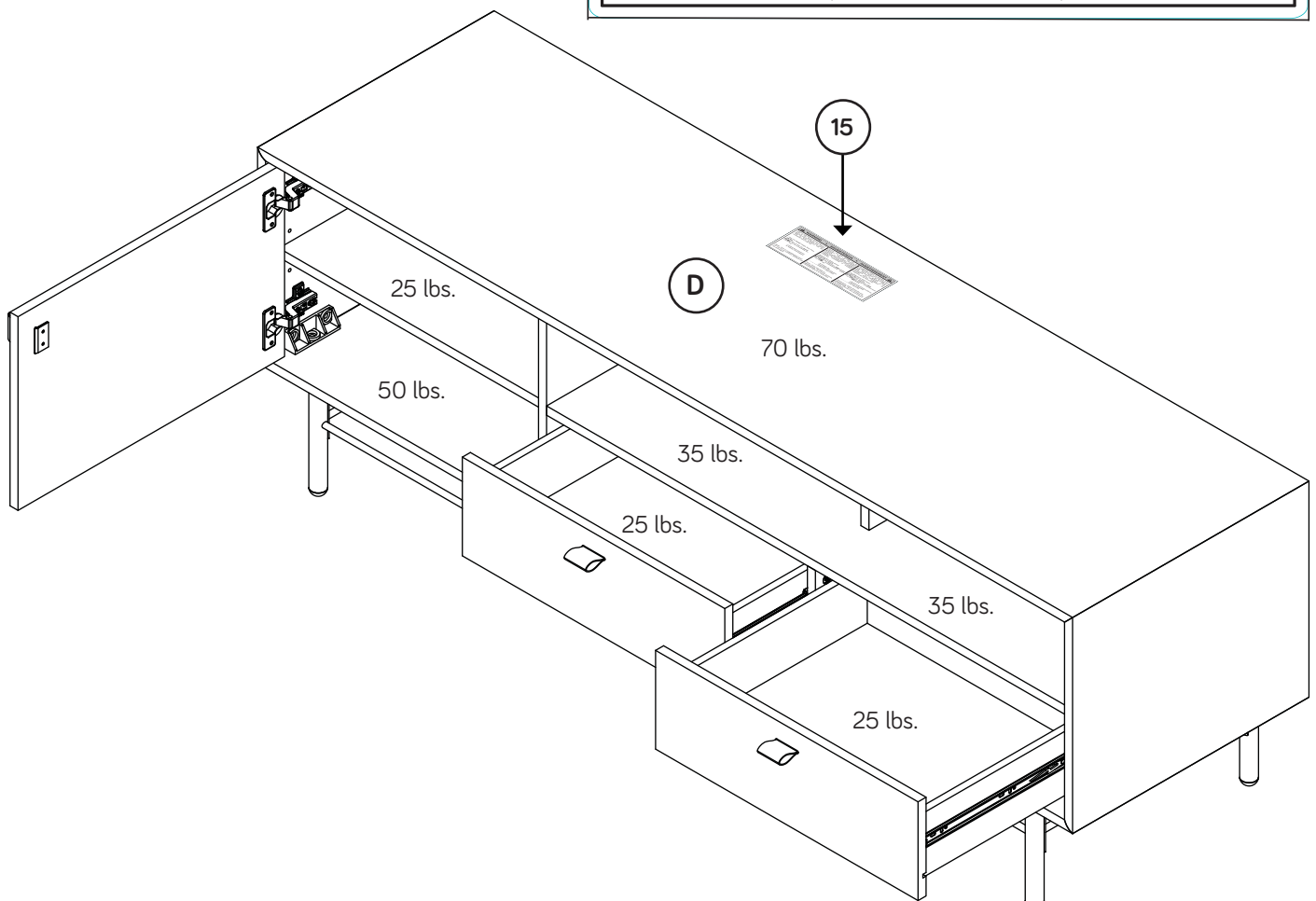
To cover HIDDEN CAMS



Step 24

- Apply the WARNING LABEL (15) to the TOP (D). You should be able to read the label when the TV is removed from the unit. When the TV is in place, it should hide the label. Peel off the backing and apply the label as shown in the diagram.
- NOTE:** This is a permanent label intended to last for the life of the product. Once applied, do not try to remove it.
- NOTE:** Please read the back pages of the instruction booklet for important safety information.
- This completes assembly. Clean with your favorite furniture polish or a damp cloth. Wipe dry.

⚠ WARNING	• ADVERTENCIA	• AVERTISSEMENT	⚠
Never use this furniture with a TV that is too large or too heavy. Severe injury or death can occur. The TV and furniture will be unstable and may tip.	Nunca use este mueble con un televisor que es demasiado grande o demasiado pesado. Podría resultar en una lesión grave hasta fatal. El televisor y el mueble estarán inestables y pueden volcarse.	Ne jamais utiliser ce meuble avec un téléviseur qui soit trop large ou trop lourd. Risque de provoquer des blessures graves, voire mortelles. Le téléviseur et le meuble seront instables et risquent de se renverser.	
-The TV must weigh less than 70 lbs. -The base of the TV must be able to sit completely on this shelf.	-El televisor debe pesar 31,75 kg o menos. -La base del televisor debe poder colocarse completamente sobre este estante.	-Le téléviseur doit peser 31,75 kg ou moins. -Le socle du téléviseur doit pouvoir être placé complètement sur cette tablette.	
Refer to instruction book for complete safety information.	Consulte el folleto de instrucciones para información completa sobre la seguridad.	Consultez le manuel d'instructions pour information complète concernant la sécurité.	
<i>Note: This is a permanent label. Do not try to remove. Surface will be damaged.</i>	<i>Nota: Esta etiqueta es permanente. No intente quitarla. Causará daño a la superficie.</i>	<i>Remarque: Cette étiquette est permanente. Ne pas essayer de la retirer. Causera des dommages à la surface.</i>	



⚠ WARNING

Please use your furniture correctly and safely. Improper use can cause safety hazards, or damage to your furniture or household items. Carefully read the following safety information.

Death or serious injury may occur when children climb on audio and/or video equipment furniture. A remote control or toys placed on the furnishing may encourage a child to climb on the furnishing and as a result may tip over onto the child.

NEVER allow children to climb or play with the TV or furnishing supporting the TV.

NEVER place toys, food, remote, etc. on top of the TV or TV furnishing.

ALWAYS use either the safety hardware as instructed or other wall anchoring device.

Relocating audio and/or video equipment to furniture not specifically designed to support audio and/or video equipment may result in death or serious injury due to furniture collapse or over turning onto a child.

NEVER place a TV on furniture that is not intended to support a TV.

NEVER exceed the maximum size and weight of the TV shown in the instructions.

Be sure to apply the TV warning label as shown in the instructions.

Overloading drawers and shelves may result in furniture that can break or sag, or tip-over which may result in injury.

NEVER exceed the weight limits shown in the instructions.

Place the heavier items on lower shelves as far back from the front as possible.

Load the bottom surfaces first to avoid top-heavy furniture.

Moving furniture that is not designed to be moved or equipped with casters may result in injury or damage to furnishings or personal property.

ALWAYS unload shelves and drawers, starting with the top surfaces, before moving.

NEVER push or pull furniture on carpet. Have a friend help lift properly to move and/or reposition it.