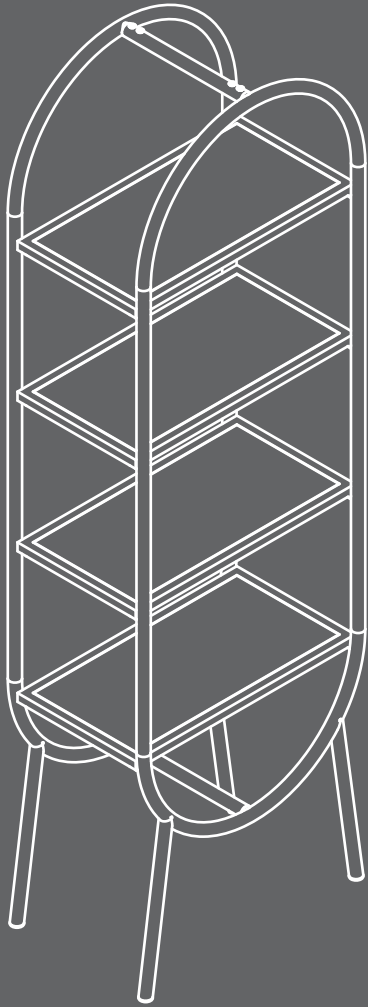


www.teknikoffice.co.uk

Teknik



For things 'n such.

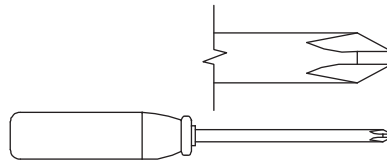
Oval Bookcase Display Unit

Boulevard Cafe Collection | **Model 5421957**

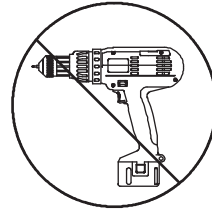
Table of Contents

Assembly Tools Required

Part Identification	3
Hardware Identification	2
Assembly Steps	4-8
Français	9-10
Español	11-12
Safety	13-14
Warranty	15



No. 2 Phillips Screwdriver
Tip Shown Actual Size



Skip the power trip.
This time.

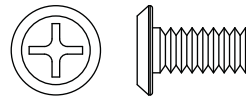
Hardware Identification

† Screws are shown actual size. You may receive extra hardware with your unit.

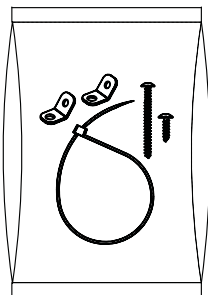
1 BUMPER - 16



2 BLACK 1/2" MACHINE SCREW - 24



99 FURNITURE TIPPING RESTRAINT KIT - 1



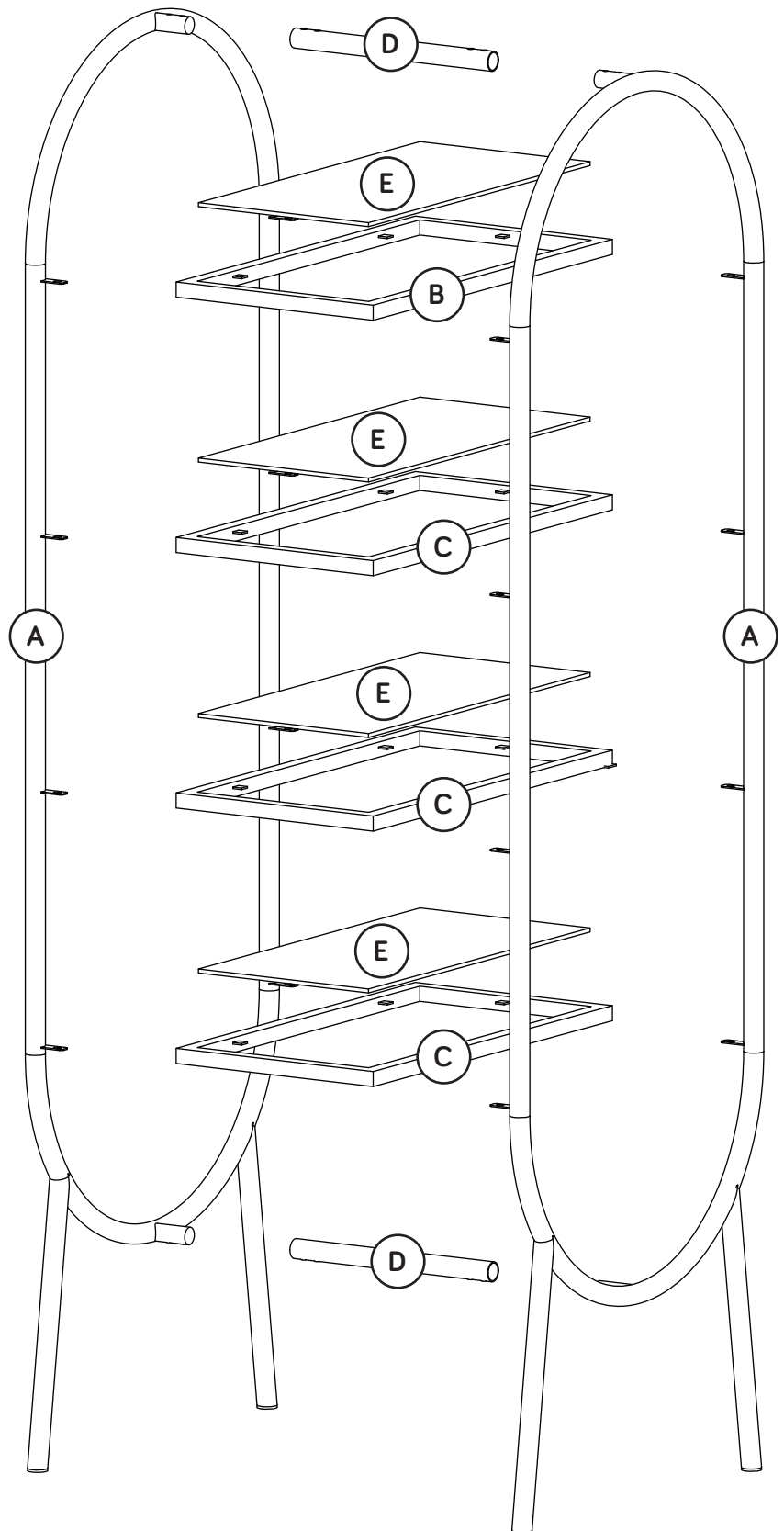
Part Identification

Now you know
our ABCs.



† While not all parts are labeled, some of the parts will have a label or an inked letter on the edge to help distinguish similar parts from each other. Use this part identification to help identify similar parts.

A	END (2)
B	TOP FRAME (1)
C	SHELF FRAME (3)
D	CONNECTOR (2)
E	GLASS SHELF (4)

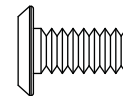


Step 1

- ✚ Assemble your unit on a carpeted floor or on the empty carton to avoid scratching your unit or the floor.
- ✚ Fasten the CONNECTORS (D) to one of the ENDS (A). Use four BLACK 1/2" MACHINE SCREWS (2).
- ✚ **NOTE:** Be sure the holes in the CONNECTORS line up with the holes in the END.
- ✚ Then, fasten the other END (A) into the CONNECTORS (D). Use four BLACK 1/2" MACHINE SCREWS (2).

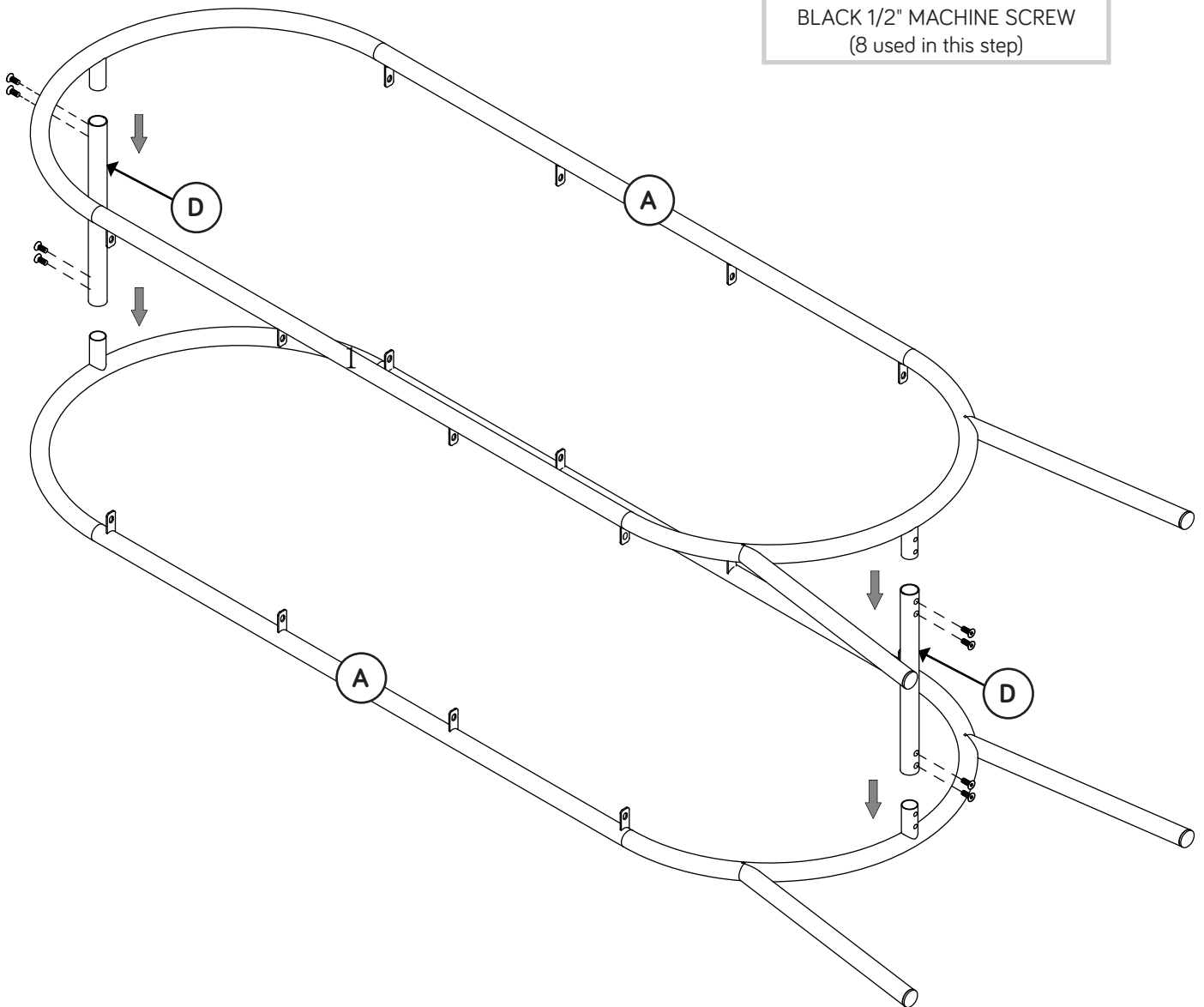


Some assembly
(and snacks) required.



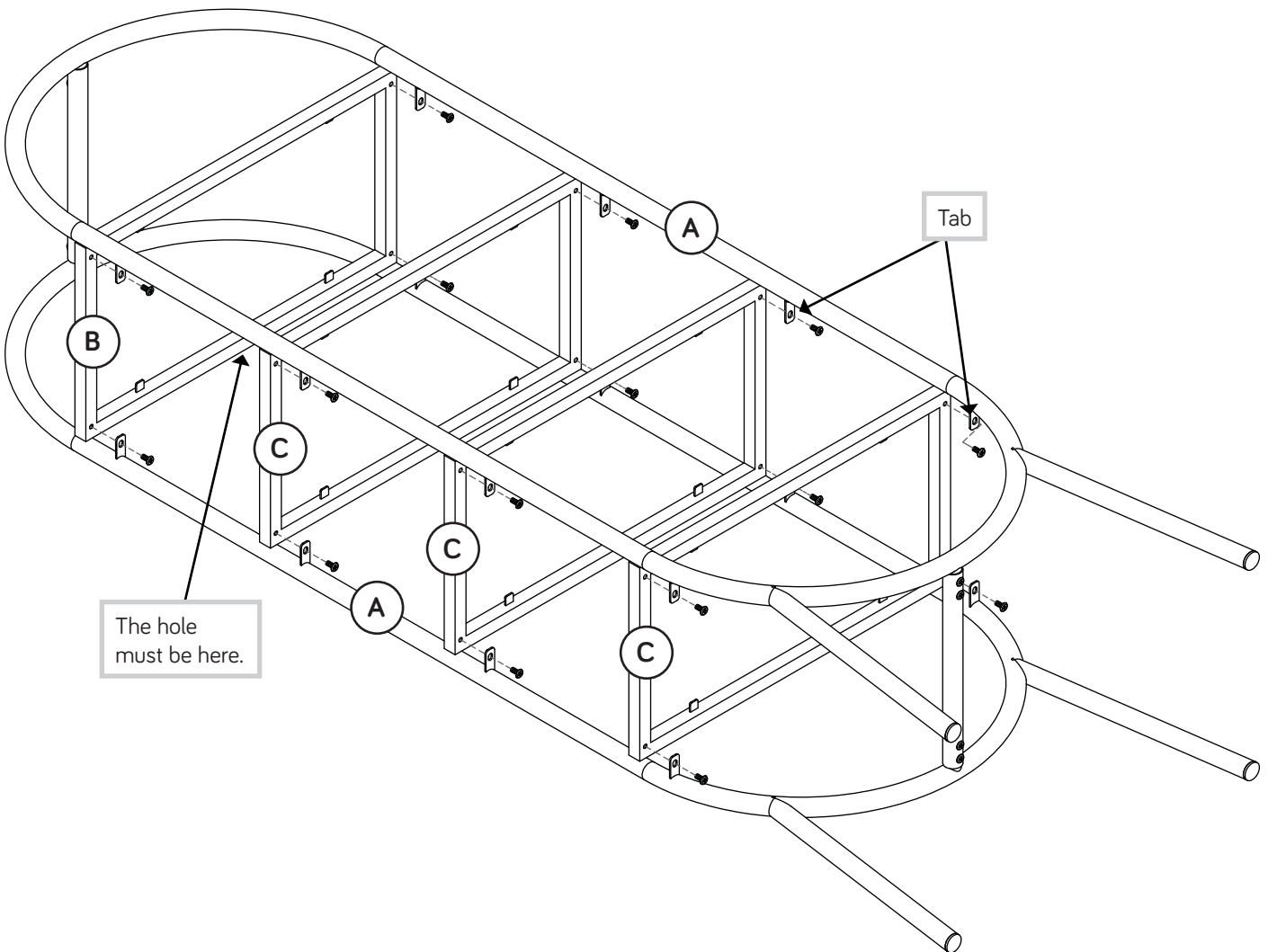
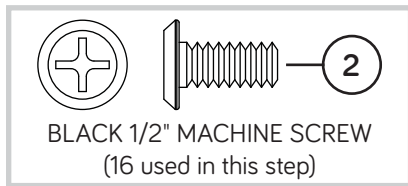
2

BLACK 1/2" MACHINE SCREW
(8 used in this step)



Step 2

- ✚ **NOTE:** Do not completely tighten the SCREWS in the FRAMES. Start each SCREW a few turns in each FRAME before completely tightening any of them.
- ✚ Fasten the FRAMES (B and C) to the ENDS (A). Use sixteen BLACK 1/2" MACHINE SCREWS (2) through the tabs on the ENDS and into the holes in the FRAMES.
- ✚ **NOTE:** Be sure the hole in the back edge of the TOP FRAME (B) is facing down towards the floor.

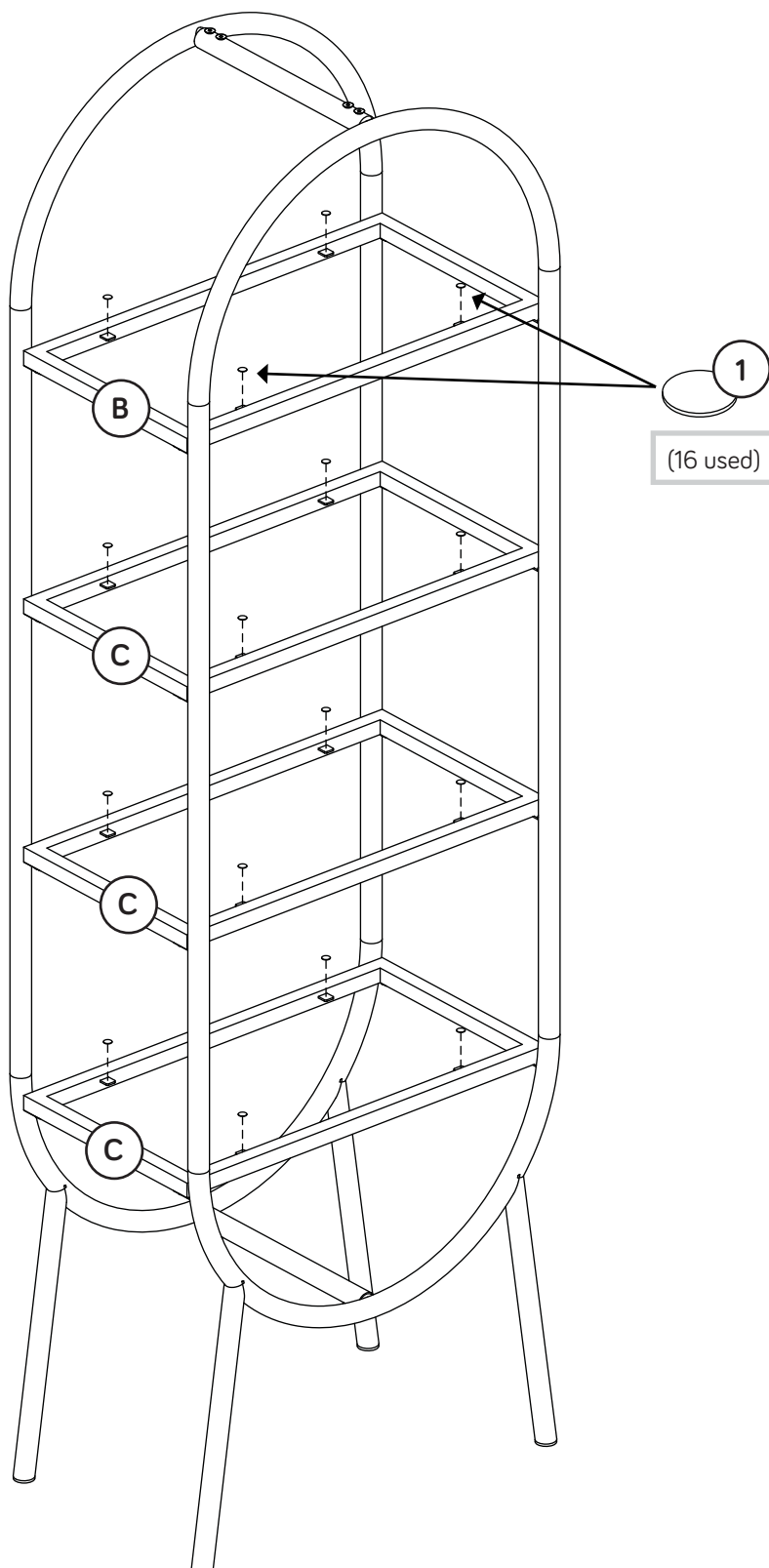


Step 3

- ⚡ Carefully stand your unit upright.
- ⚡ Stick a BUMPER (1) onto each tab on the FRAMES (B and C).



Pro Tip: Lift with your legs. And, you know, your arms.



Step 4

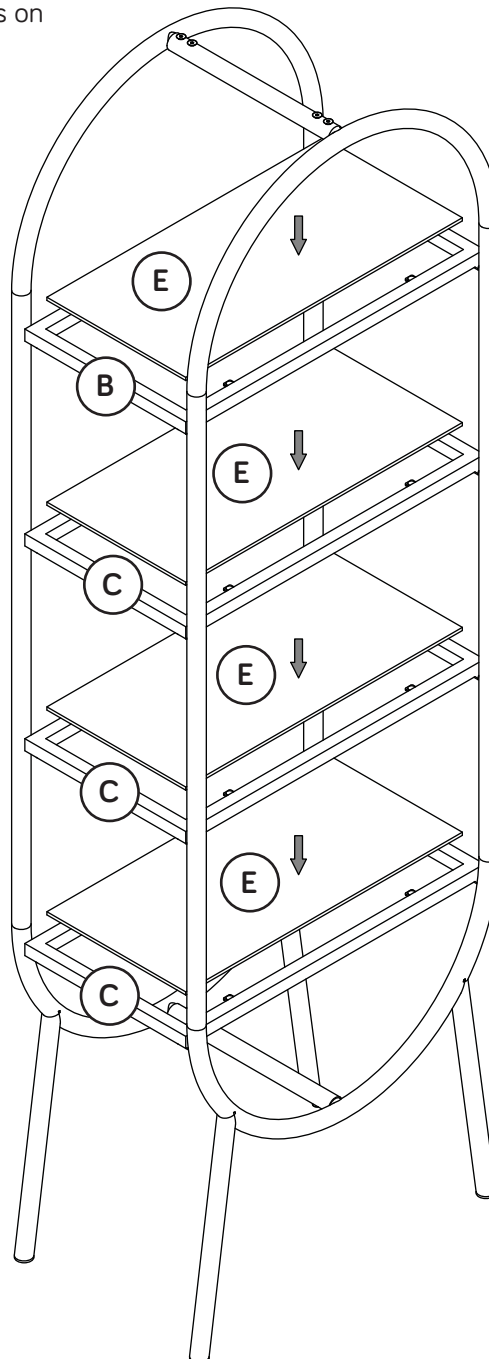
⚠ Caution

Tempered safety glass is used. It is stronger than normal glass, and it will not break into long, sharp, knife-like shards. However, safety glass **can break**. When safety glass breaks, it instantly fractures into small, bead-like pieces. These small pieces may have sharp edges.

For your safety, follow these precautions when you assemble your product:

- Wear safety glasses or other eye protection.
- Do not try to drill into or cut safety glass. It will instantly break into small pieces.
- Do not force the glass into position.
- If the glass breaks, be careful when you pick up the pieces. They may have sharp edges.

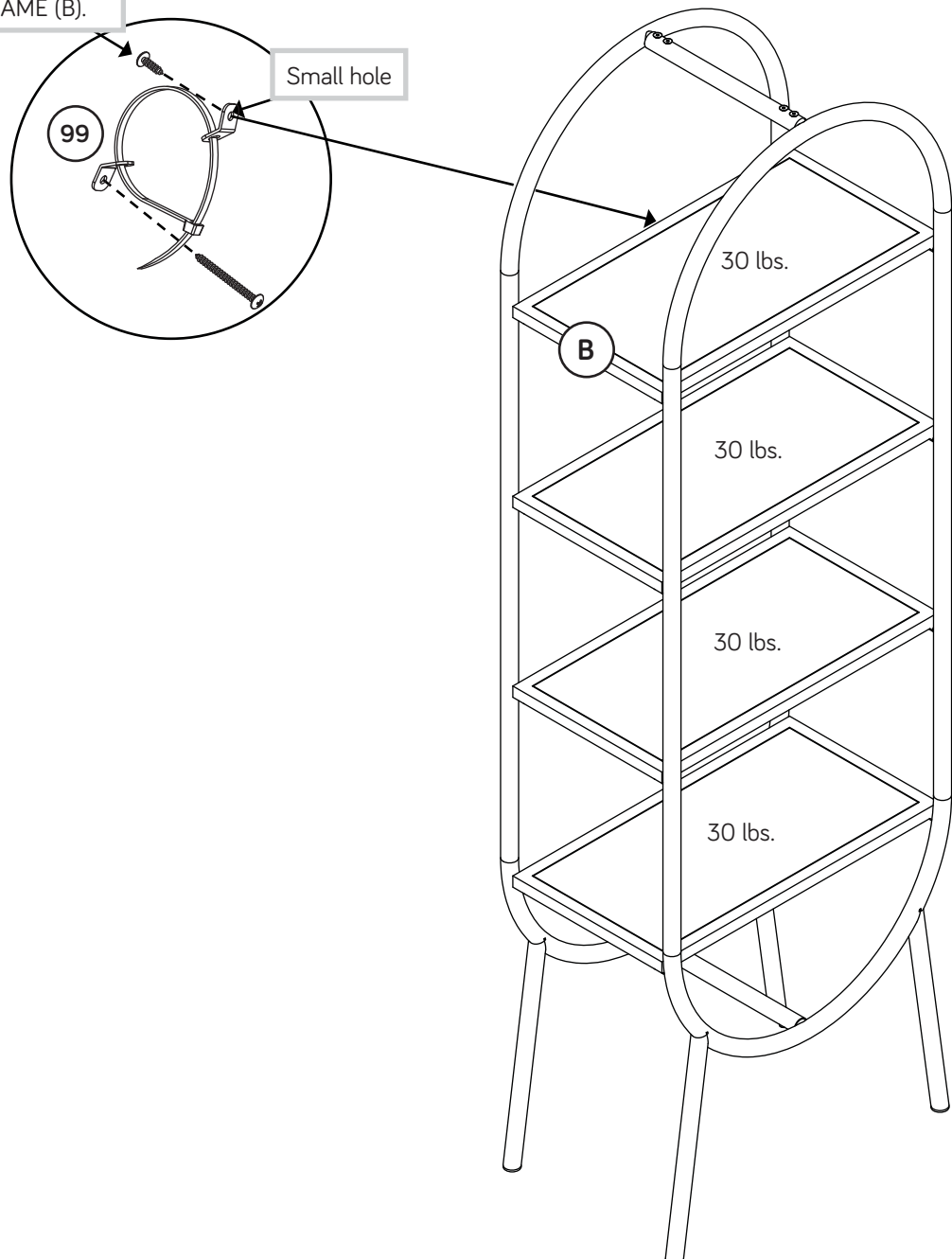
🔩 Carefully place the GLASS SHELVES (E) onto the tabs on the FRAMES (B and C).



Step 5

- ✦ We recommend using the FURNITURE TIPPING RESTRAINT KIT (99) for added stability. Fasten a bracket to the back edge of the TOP FRAME (B) using the 5/8" screw as shown.
- ✦ Place your unit in its final location against a wall.
- ✦ NOTE: The tack glides on your unit can be adjusted.
- ✦ Follow the instructions included in the KIT to fasten your unit to the wall.
- ✦ NOTE: Please read the back pages of the instruction booklet for important safety information.
- ✦ This completes assembly. Clean with your favorite furniture polish or a damp cloth. Wipe dry.

Use the 5/8" screw through the small hole in a bracket and into the back edge of the TOP FRAME (B).



⚠ WARNING

Please use your furniture correctly and safely. Improper use can cause safety hazards, or damage to your furniture or household items. **Carefully read the following chart.**

Look out for:	What can happen:	How to avoid the problem:
<ul style="list-style-type: none">• Overloaded shelves.• Improper loading can cause the product to be top-heavy.	<ul style="list-style-type: none">• Risk of injury.• Top-heavy furniture can tip over.• Overloaded shelves can break.	<ul style="list-style-type: none">• Never exceed the weight limits shown in the instructions.• Work from bottom to top when loading shelves. Place the heavier items on the lower shelves.
<ul style="list-style-type: none">• Improperly moving furniture that is not designed and equipped with casters.	<ul style="list-style-type: none">• Furniture can tip over or break if improperly moved.• Physical injury. Furniture can be very heavy.	<ul style="list-style-type: none">• Unload shelves from top to bottom before moving the furniture.• Do not push furniture, especially on a carpeted floor. Have a friend help you lift the item and set it in place.• This unit must be positioned against a wall.
<ul style="list-style-type: none">• Children climbing on the shelves can cause the product to tip.	<ul style="list-style-type: none">• Risk of injury or death.	<ul style="list-style-type: none">• Do not allow children to climb on the shelves. Avoid placing items like toys or candy on upper shelves.• Use the supplied tipping restraint kit for added stability.
<ul style="list-style-type: none">• Placing TVs on furniture items that are not designed to support a television is hazardous.	<ul style="list-style-type: none">• Risk of injury or death. TVs can be very heavy. Plus the weight and location of the picture tube tends to make TVs unbalanced and prone to tipping forward.	<ul style="list-style-type: none">• This product is not designed to support a television.