

Your center of
attention.

Credenza

Barrister Home Collection | Model 5421458

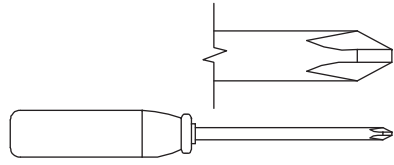
NOTE: THIS INSTRUCTION
BOOKLET CONTAINS **IMPORTANT**
SAFETY INFORMATION.

PLEASE READ AND KEEP FOR
FUTURE REFERENCE.

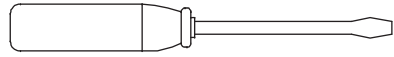
Table of Contents

Assembly Tools Required

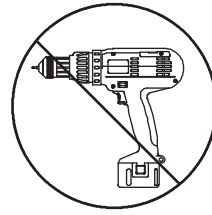
Part Identification	3
Hardware Identification	4
Assembly Steps	5-22
Safety	23



No. 2 Phillips Screwdriver
Tip Shown Actual Size



Straight Edge Screwdriver

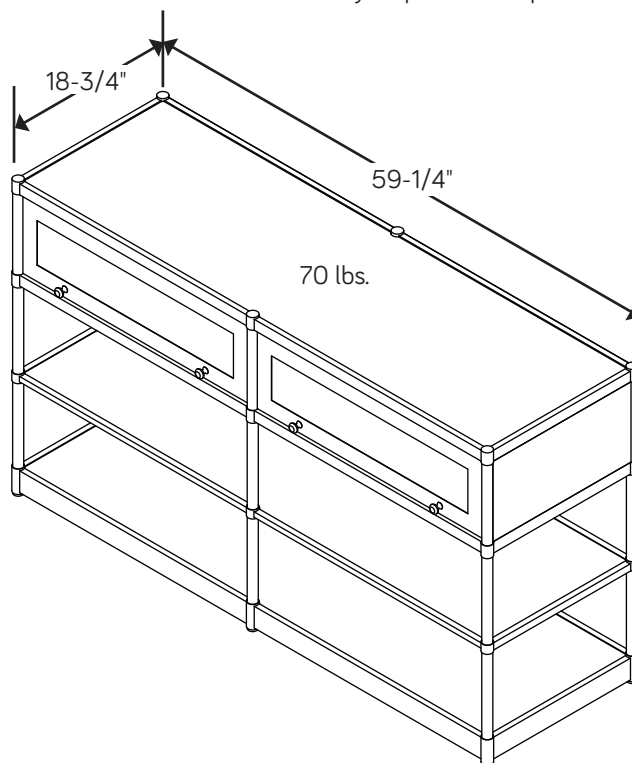


Skip the power trip.
This time.

WARNING

Use of a TV that is too heavy or large is hazardous. A TV that is too heavy will create a risk of a tip-over that can cause severe injury or death. A TV that is too large for the available space might be accidentally pushed or bumped off the furniture, or subject to tip-over.

- Check the size and weight of your TV. Compare it to the diagram below – **before you begin assembly!**
- This Sauder unit is designed for use with televisions weighing less than 70 pounds. **Never** use with a TV that weighs more.
- The size of the television, front-to-back and side-to-side, must fit within the space defined in the diagram.
 - **Never** place the front edge of the TV past the front edge of the TV support shelf (or stop molding – if equipped)
 - **Never** allow the sides of the TV to extend past the side edges of the TV support surface.
 - If the TV has a CRT picture tube, the picture tube cone may extend past the rear of the support shelf.
- Be sure to apply the warning label as instructed in the last assembly step. The label provides important safety related information.



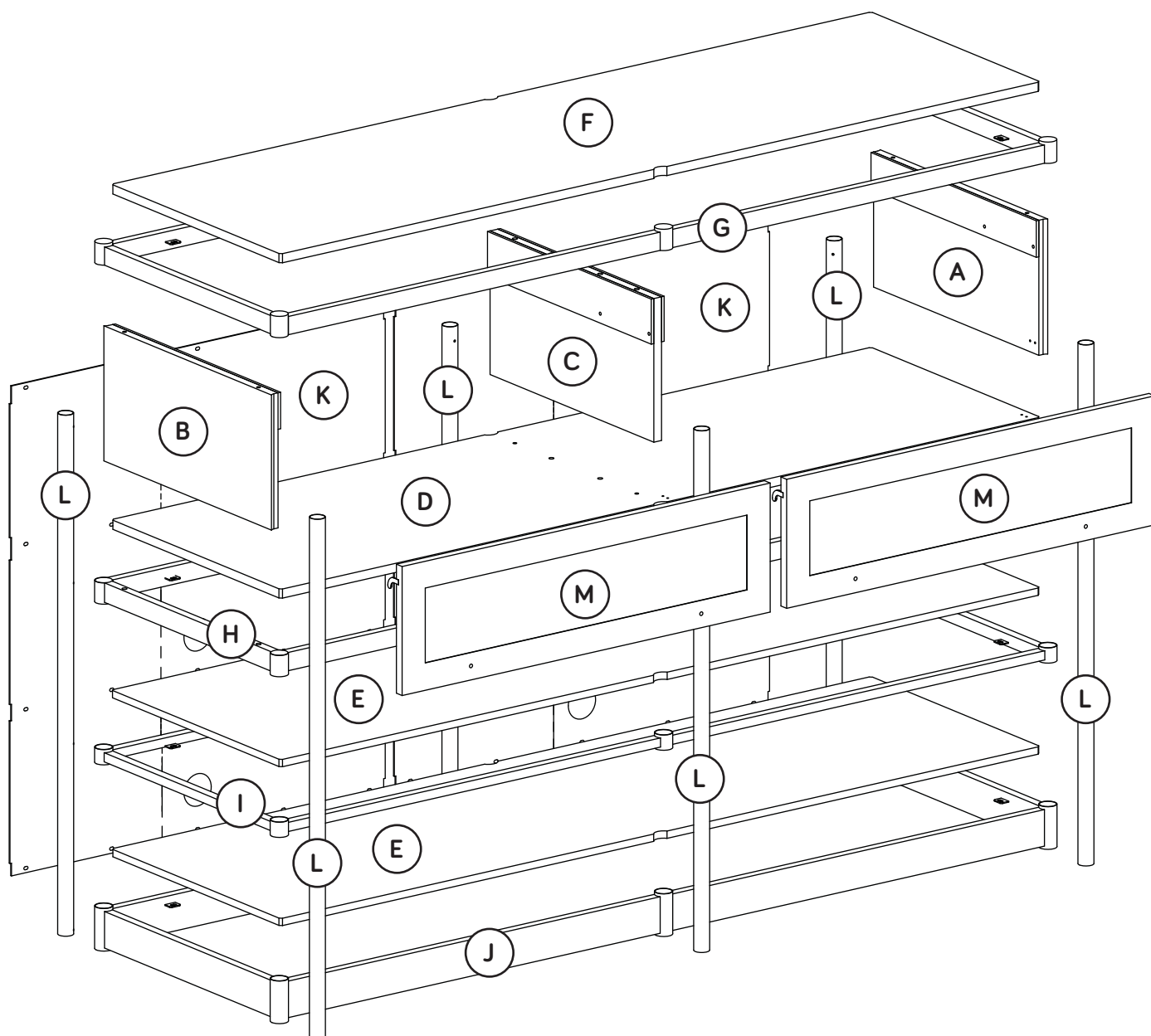
Part Identification

Now you know
our ABCs.



↑ While not all parts are labeled, some of the parts will have a label or an inked letter on the edge to help distinguish similar parts from each other. Use this part identification to help identify similar parts.

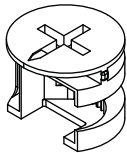
A	RIGHT END (1)	F	TOP (1)	K	BACK (2)
B	LEFT END (1)	G	TOP FRAME (1)	L	LEG (6)
C	UPRIGHT (1)	H	SHELF FRAME (1)	M	GLASS DOOR (2)
D	SHELF (1)	I	UPPER BOTTOM FRAME (1)		
E	BOTTOM (2)	J	BOTTOM FRAME (1)		



Hardware Identification

↑ Screws are shown actual size. You may receive extra hardware with your unit.

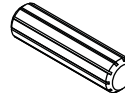
1 HIDDEN CAM - 2



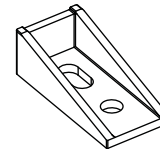
2 CAM SCREW - 2



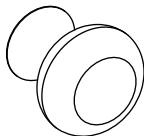
3 WOOD DOWEL - 4



4 STOP BRACKET - 4



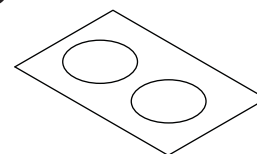
5 KNOB - 4



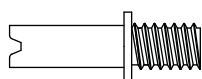
6 DOOR GLIDE - 4



7 CAM COVER CARD - 1



8 BLACK SCREW - 4

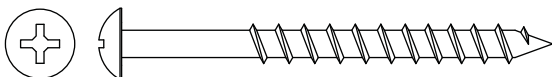


9 WARNING LABEL - 1

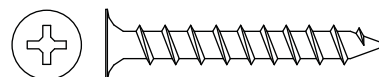


(Refer to the last step for proper location and application)

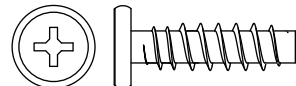
10 BLACK 2-1/4" PAN HEAD SCREW - 4



11 BLACK 1-1/2" FLAT HEAD SCREW - 2



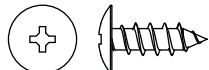
12 BLACK 7/8" WAFER HEAD SCREW - 8



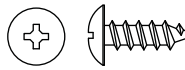
13 BLACK 1/2" FLAT HEAD SCREW - 24



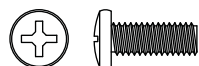
14 BLACK 1/2" LARGE PAN HEAD SCREW - 88



15 BLACK 1/2" SMALL PAN HEAD SCREW - 8

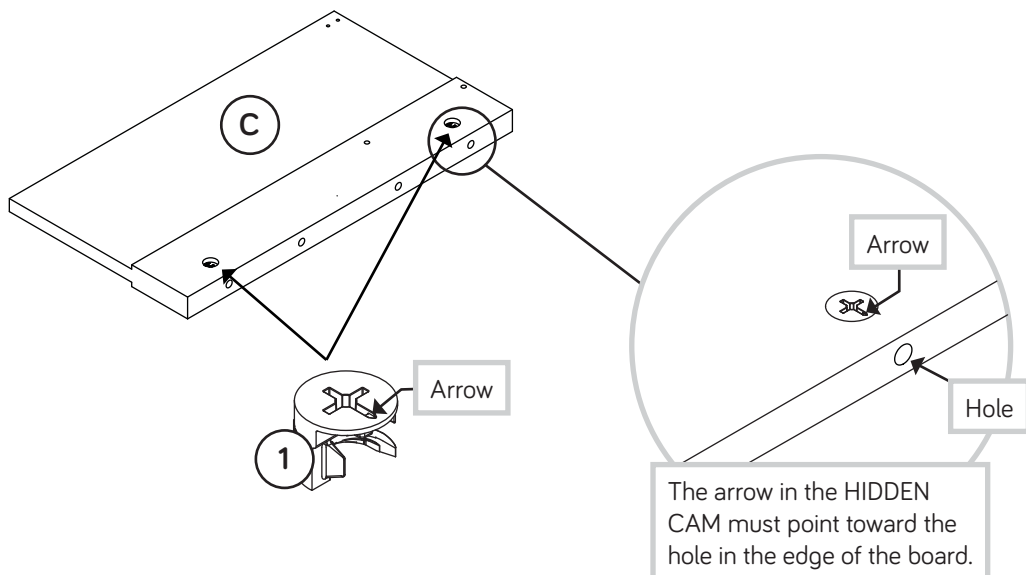
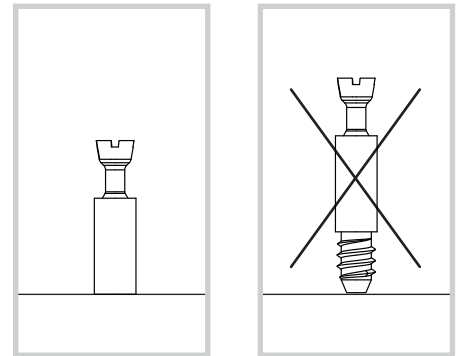
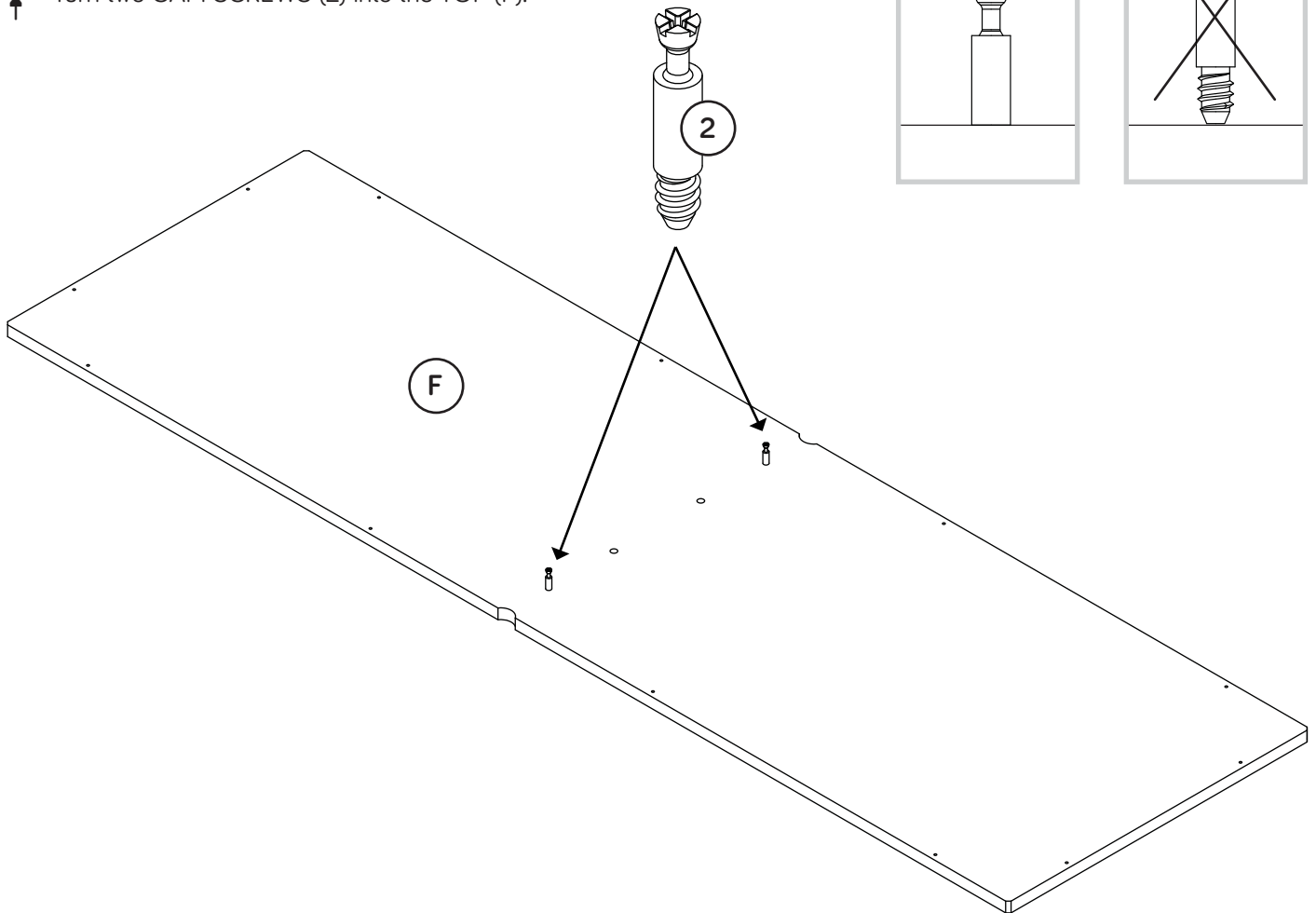


16 BLACK 1/2" MACHINE SCREW - 4



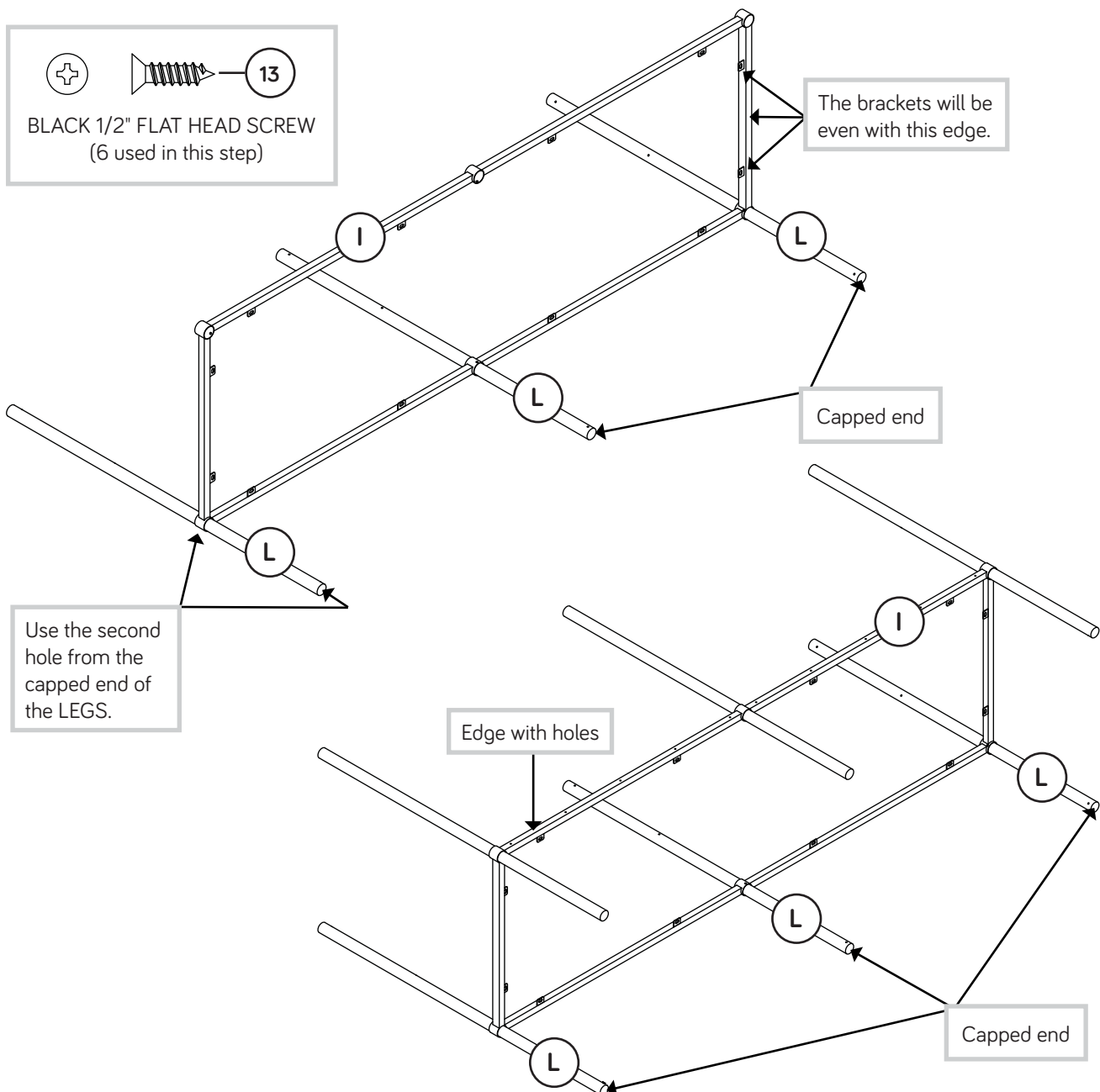
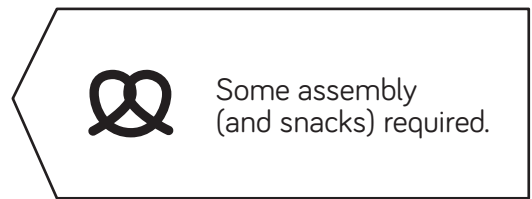
Step 1

- ✚ Assemble your unit on a carpeted floor or on the empty carton to avoid scratching your unit or the floor.
- ✚ Push two HIDDEN CAMS (1) into the UPRIGHT (C).
- ✚ Turn two CAM SCREWS (2) into the TOP (F).



Step 2

- ✦ Stand the UPPER BOTTOM FRAME (I) onto its long edge as shown.
- ✦ Slide three LEGS (L) through the holes in the UPPER BOTTOM FRAME (I) as shown in the upper diagram.
- ✦ Fasten the LEGS (L) to the UPPER BOTTOM FRAME (I). Use three BLACK 1/2" FLAT HEAD SCREWS (13).
- ✦ **NOTE:** Be sure to use the second hole from the capped ends of the LEGS.
- ✦ Then, carefully flip the assembly over. Slide three LEGS (L) through the holes in the UPPER BOTTOM FRAME (I) as shown in the lower diagram.
- ✦ Fasten the LEGS (L) to the UPPER BOTTOM FRAME (I). Use three BLACK 1/2" FLAT HEAD SCREWS (13).
- ✦ **NOTE:** Be sure to use the second hole from the capped ends of the LEGS.

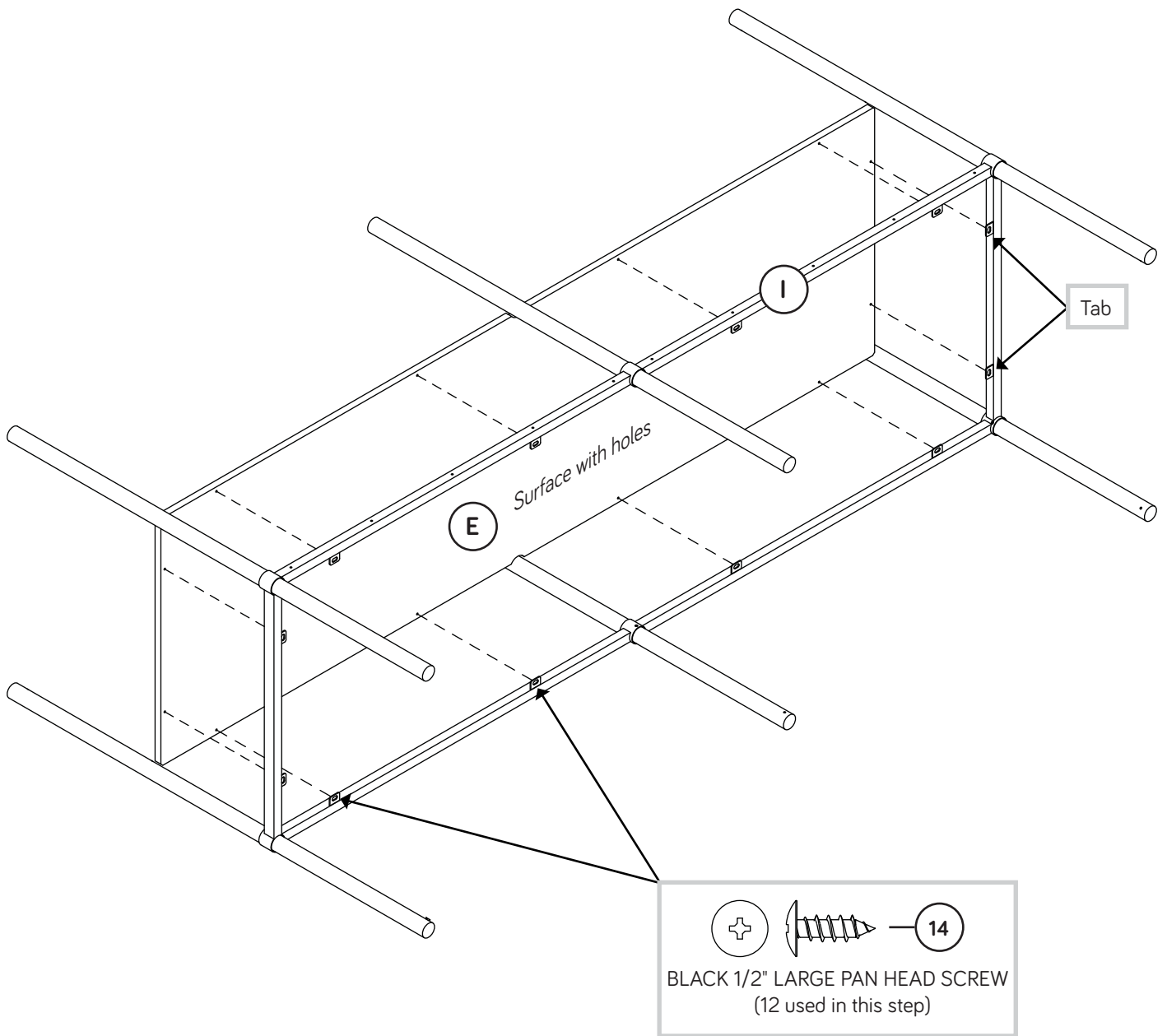


Step 3

- Fasten a BOTTOM (E) to the UPPER BOTTOM FRAME (I). Use twelve BLACK 1/2" LARGE PAN HEAD SCREWS (14) through the tabs on the UPPER BOTTOM FRAME and into the holes in the BOTTOM.
- NOTE:** You may want to start each SCREW a few turns before completely tightening any of them.

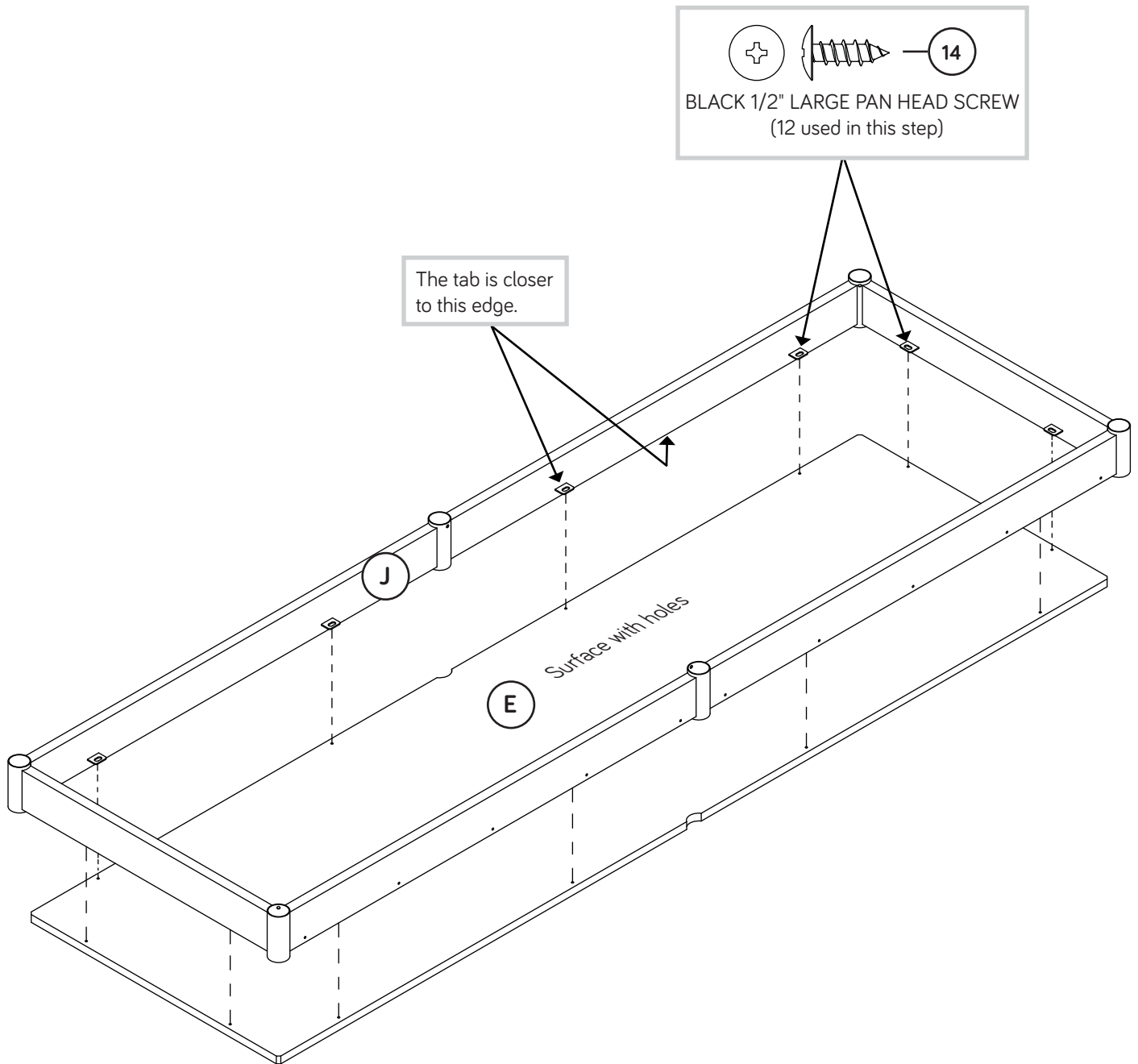


Do not stand the unit upright without the BACKS fastened. The unit may collapse.



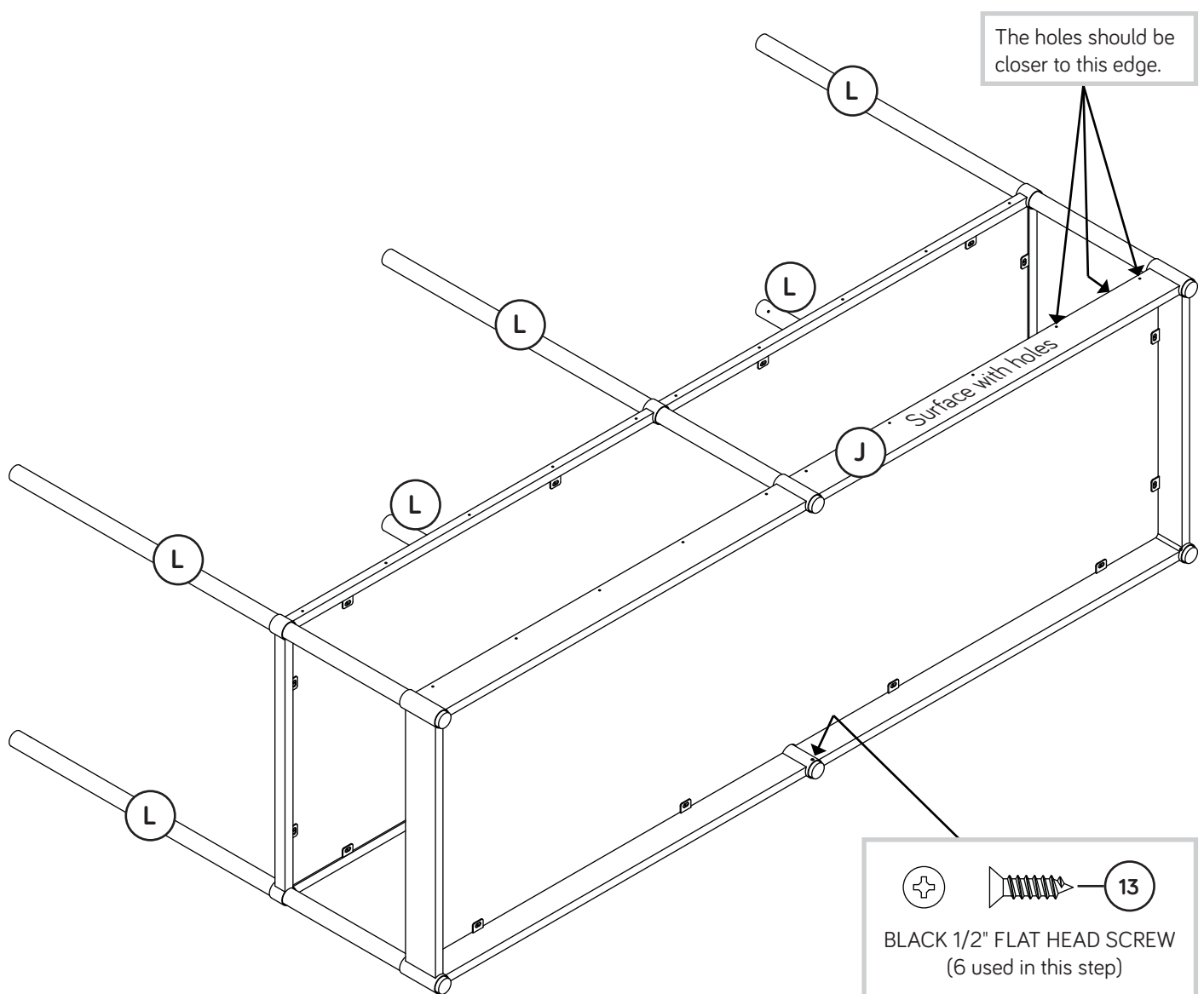
Step 4

- Fasten the BOTTOM FRAME (J) to the remaining BOTTOM (E). Use twelve BLACK 1/2" LARGE PAN HEAD SCREWS (14) through the tabs on the BOTTOM FRAME and into the holes in the BOTTOM.



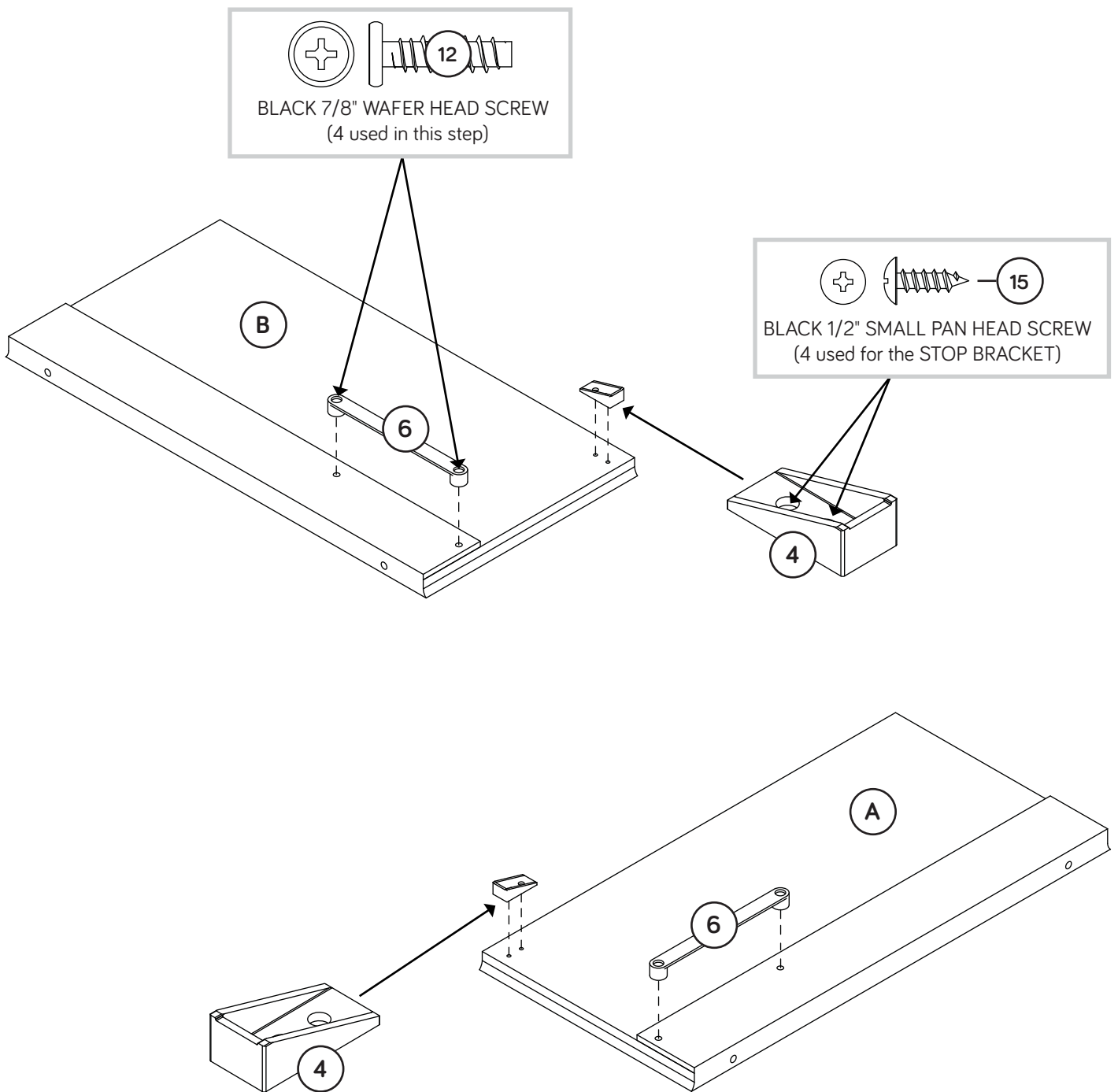
Step 5

- Slide the BOTTOM FRAME (J) onto the LEGS (L).
- Fasten the LEGS (L) to the BOTTOM FRAME (J). Use six BLACK 1/2" FLAT HEAD SCREWS (13).



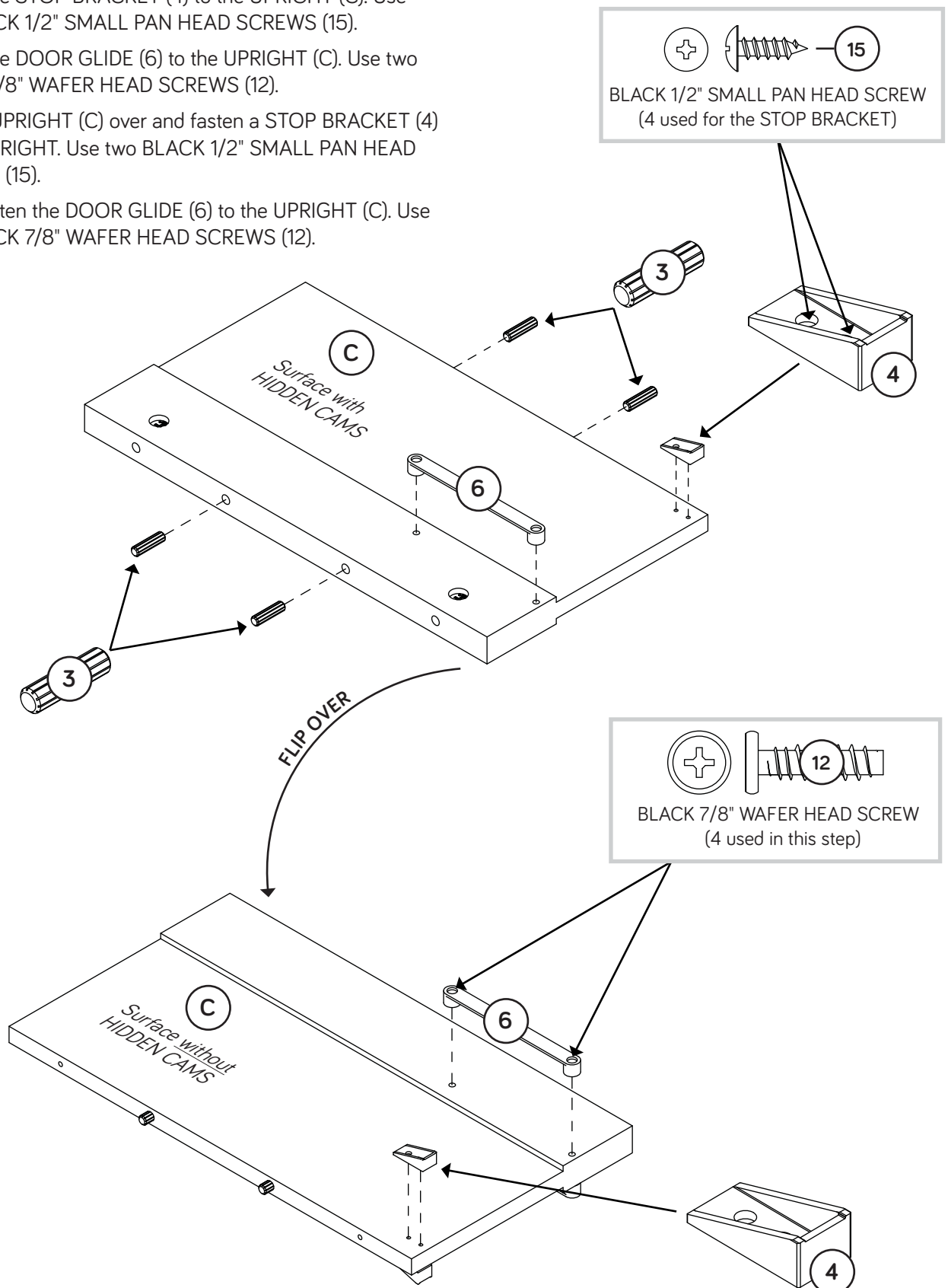
Step 6

- Fasten the STOP BRACKETS (4) to the ENDS (A and B) exactly as shown. Use four BLACK 1/2" SMALL PAN HEAD SCREWS (15).
- Fasten the DOOR GLIDES (6) to the ENDS (A and B) exactly as shown. Use four BLACK 7/8" WAFER HEAD SCREWS (12).



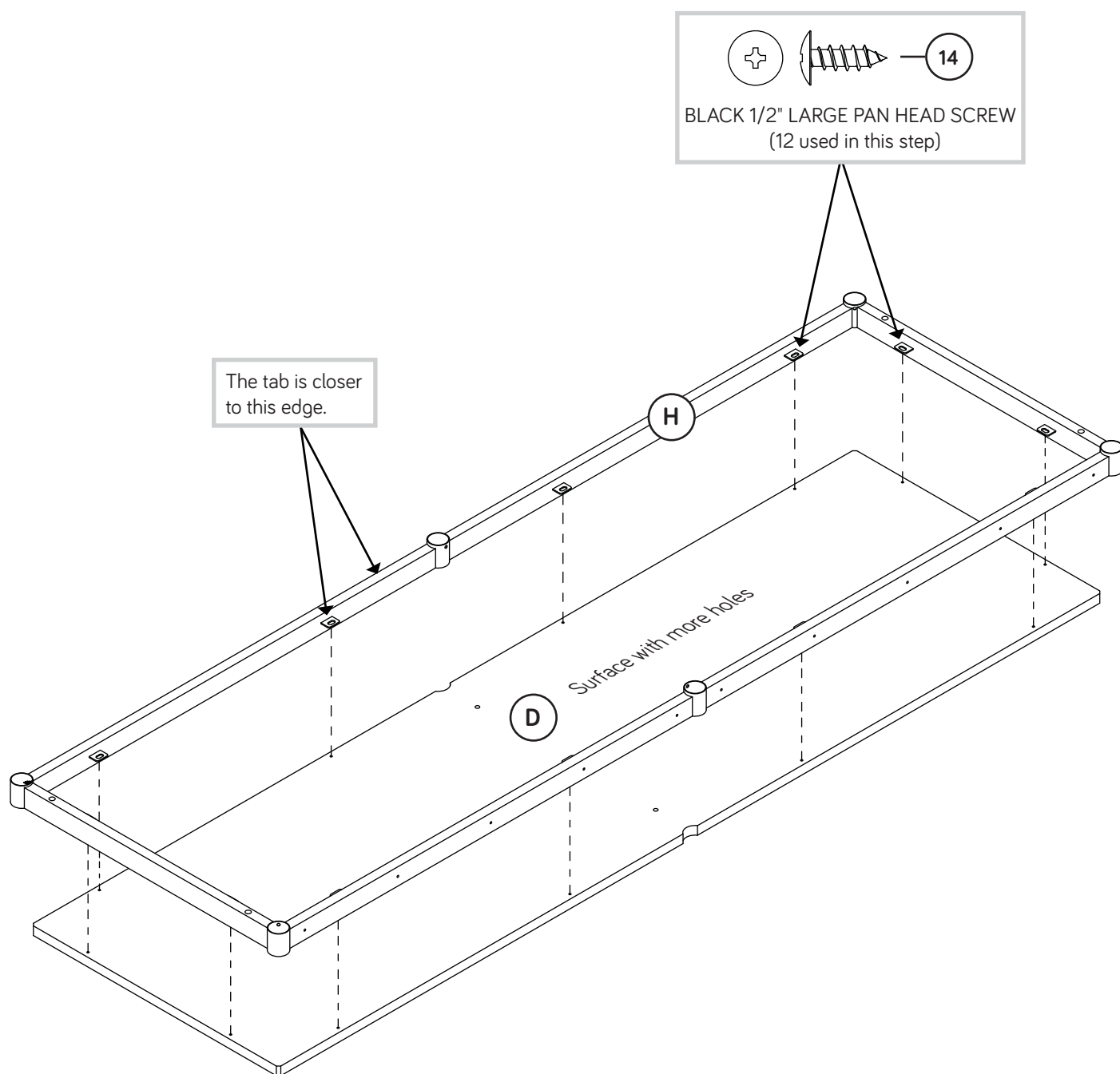
Step 7

- ✚ Insert four WOOD DOWELS (3) into the edges of the UPRIGHT (C) as shown.
- ✚ Fasten the STOP BRACKET (4) to the UPRIGHT (C). Use two BLACK 1/2" SMALL PAN HEAD SCREWS (15).
- ✚ Fasten the DOOR GLIDE (6) to the UPRIGHT (C). Use two BLACK 7/8" WAFER HEAD SCREWS (12).
- ✚ Flip the UPRIGHT (C) over and fasten a STOP BRACKET (4) to the UPRIGHT. Use two BLACK 1/2" SMALL PAN HEAD SCREWS (15).
- ✚ Then, fasten the DOOR GLIDE (6) to the UPRIGHT (C). Use two BLACK 7/8" WAFER HEAD SCREWS (12).



Step 8

- Fasten the SHELF FRAME (H) to the SHELF (D). Use twelve BLACK 1/2" LARGE PAN HEAD SCREWS (14) through the tabs on the SHELF FRAME and into the holes in the SHELF.

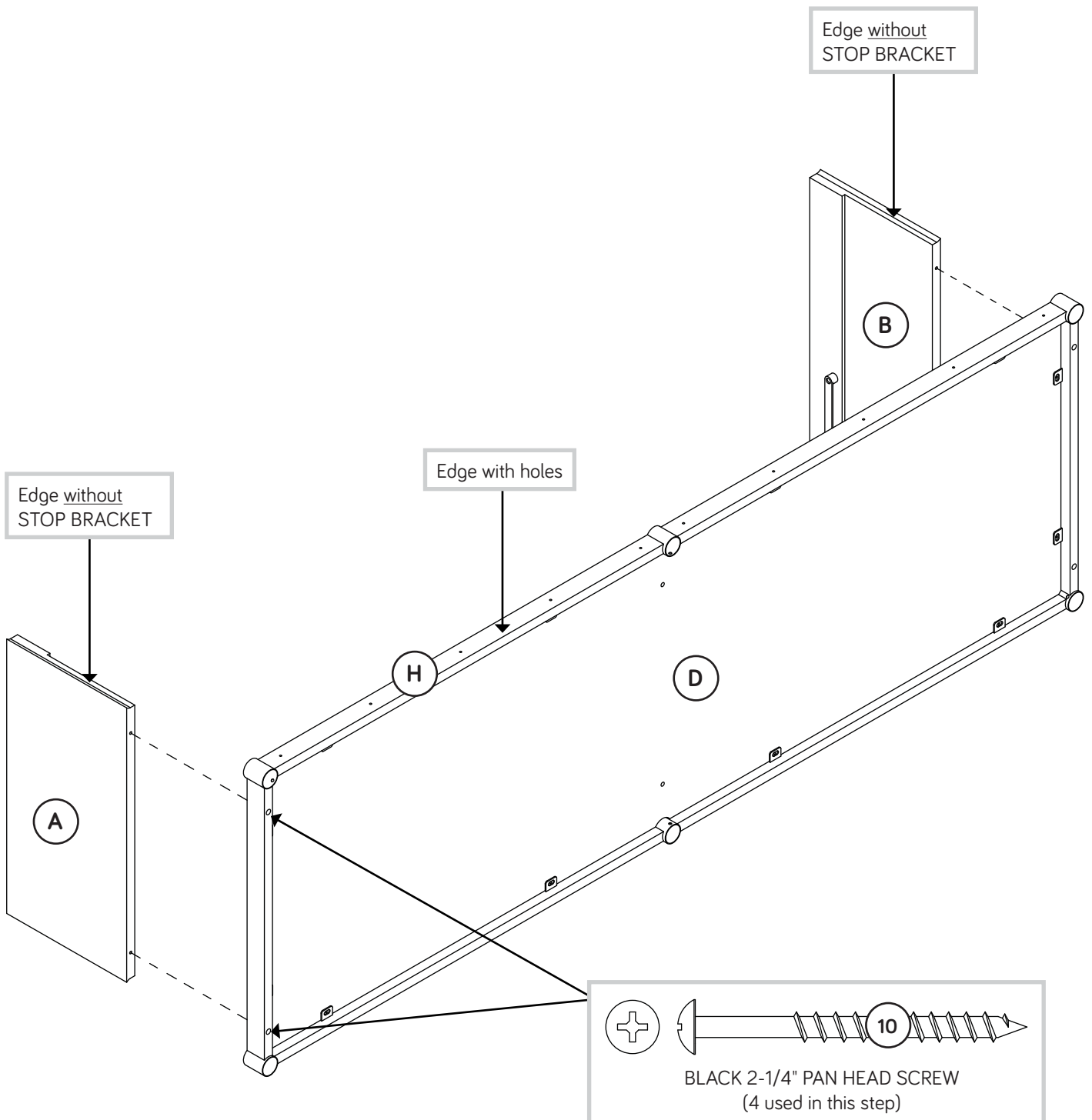


Step 9

Fasten the ENDS (A and B) to the SHELF FRAME (H) exactly as shown. Use four BLACK 2-1/4" PAN HEAD SCREWS (10).

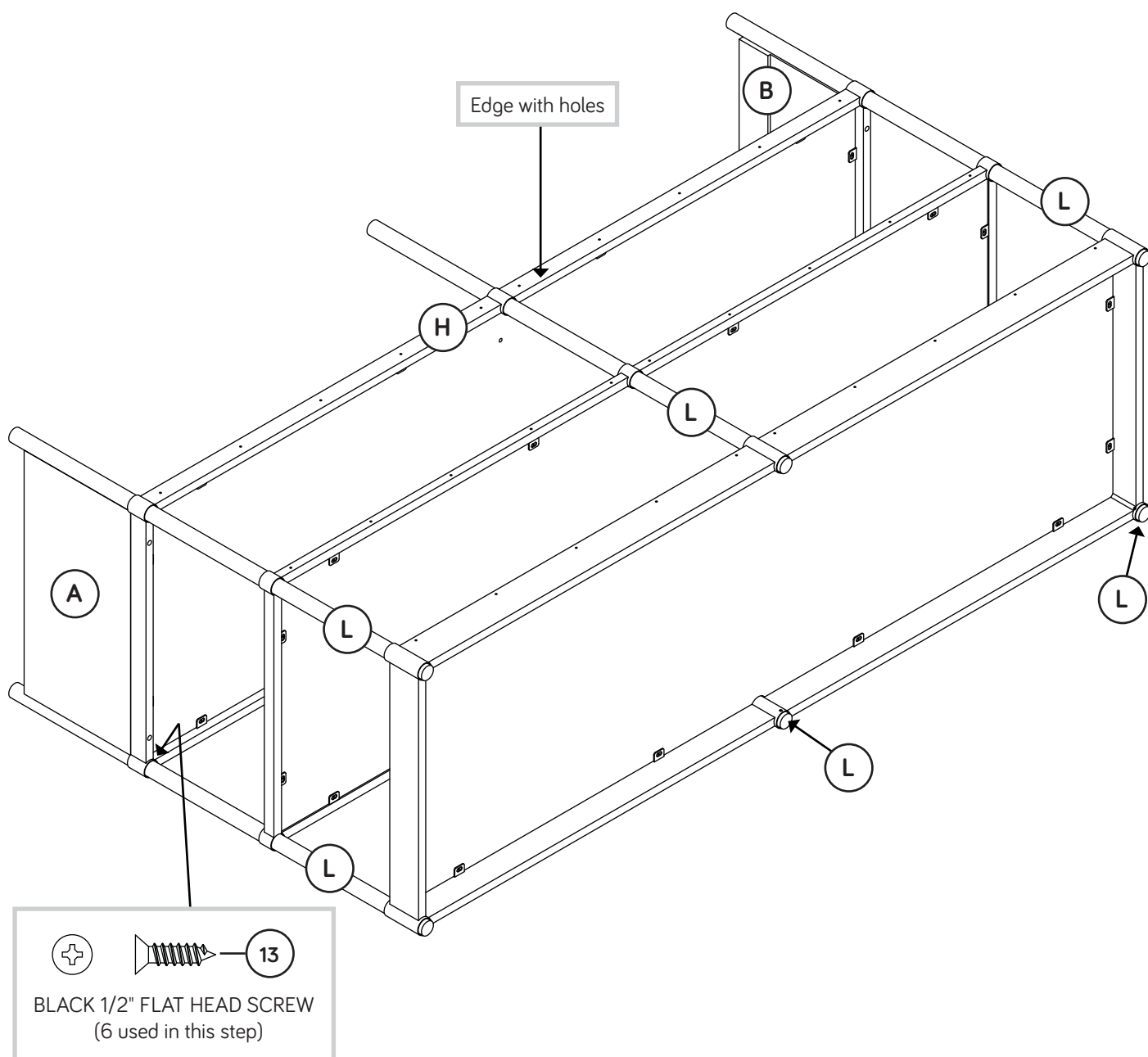


Now might be a good time to refresh your drink.



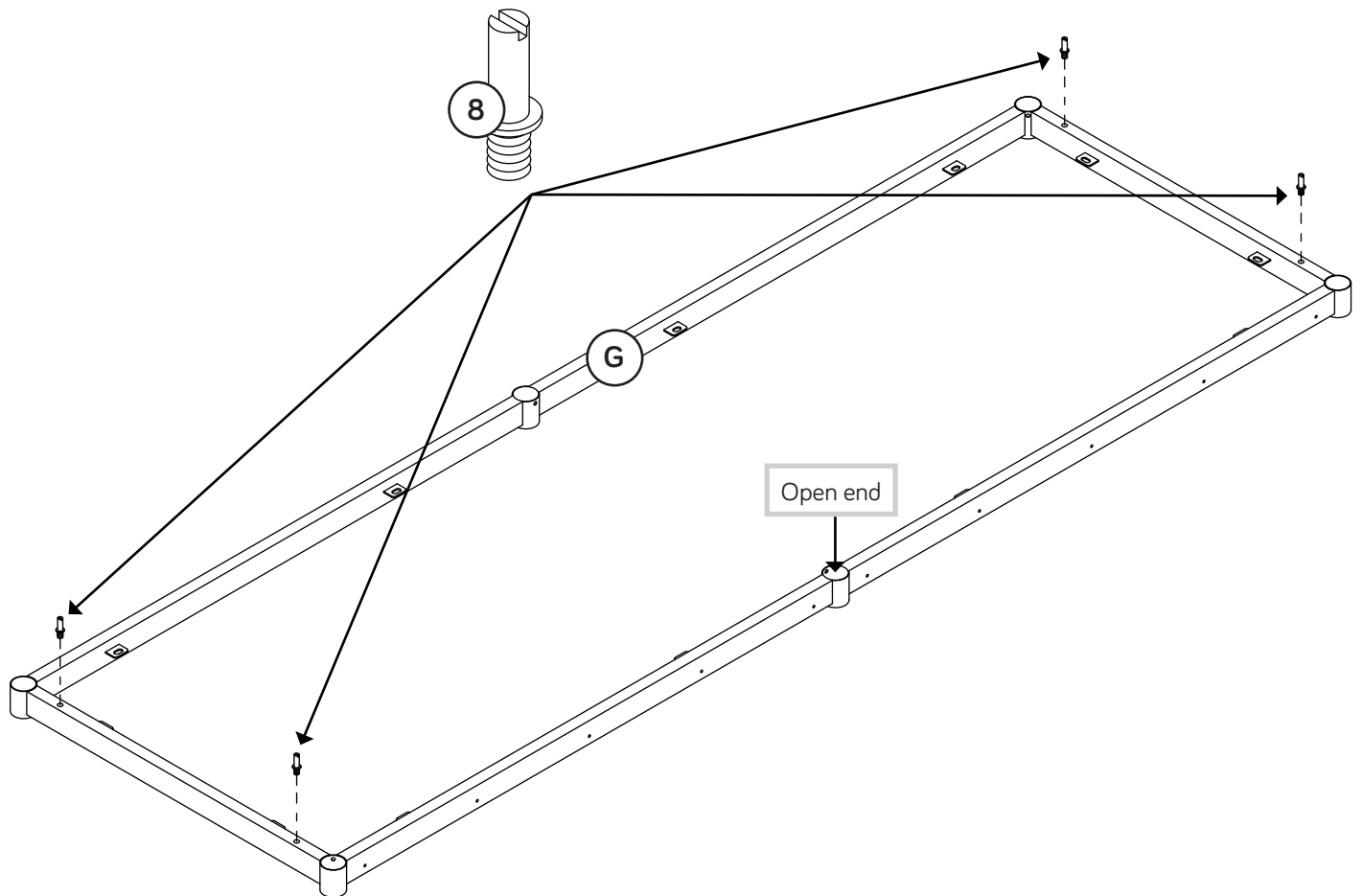
Step 10

- Slide the SHELF FRAME (H) assembly onto the LEGS (L).
- Fasten the SHELF FRAME (H) to the LEGS (L). Use six BLACK 1/2" FLAT HEAD SCREWS (13).



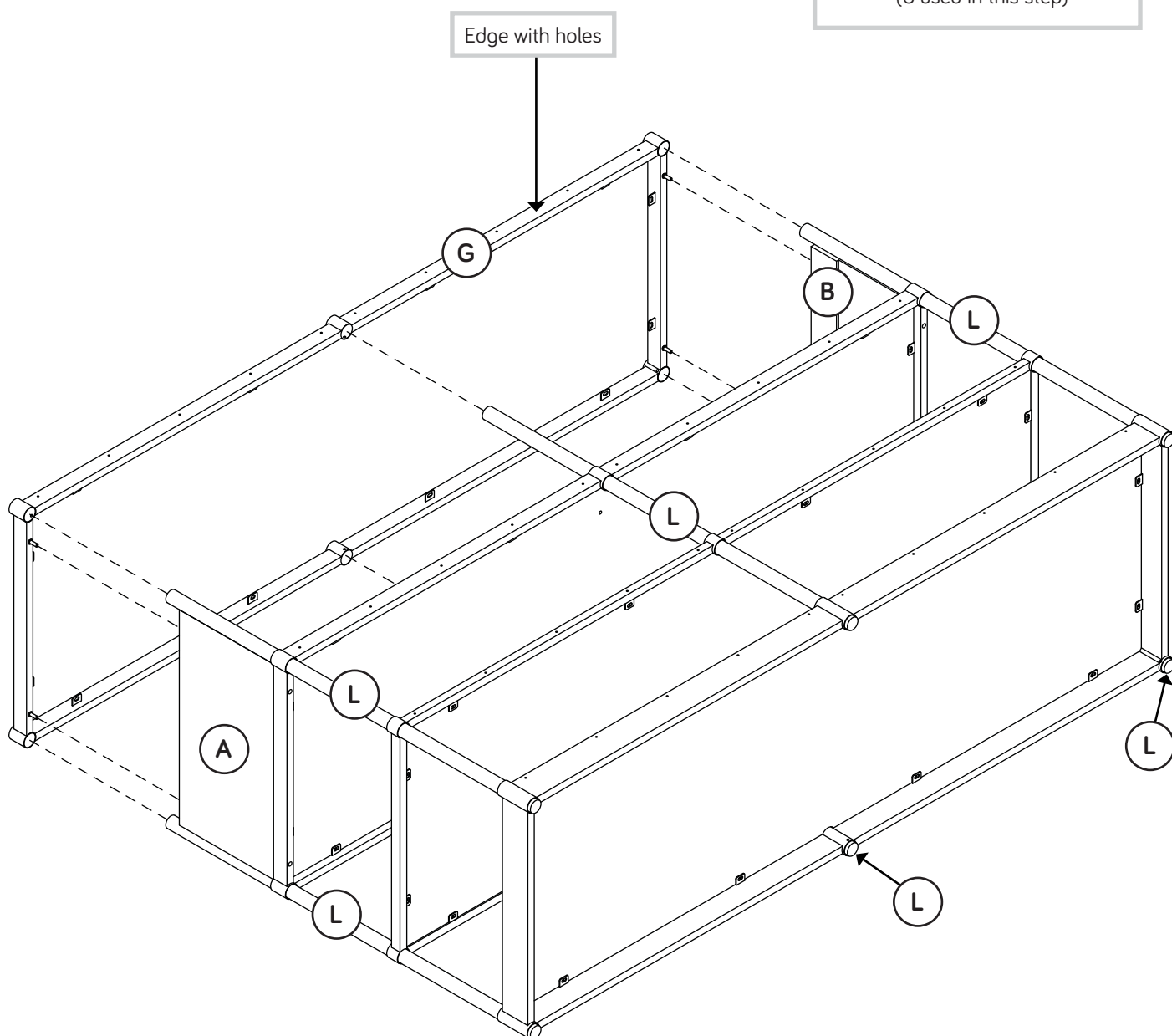
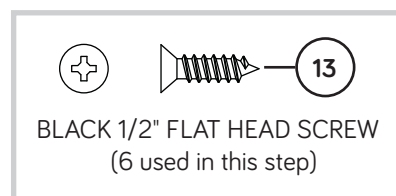
Step 11

- Turn four BLACK SCREWS (8) into the exact holes shown in the TOP FRAME (G). Use a Straight Edge Screwdriver.



Step 12

- ✚ Slide the TOP FRAME (G) onto the LEGS (L).
- ✚ Fasten the TOP FRAME (G) to the LEGS (L). Use six BLACK 1/2" FLAT HEAD SCREWS (13).
- ✚ **NOTE:** Be sure the SCREWS in the TOP FRAME insert into the holes in the ENDS (A and B).

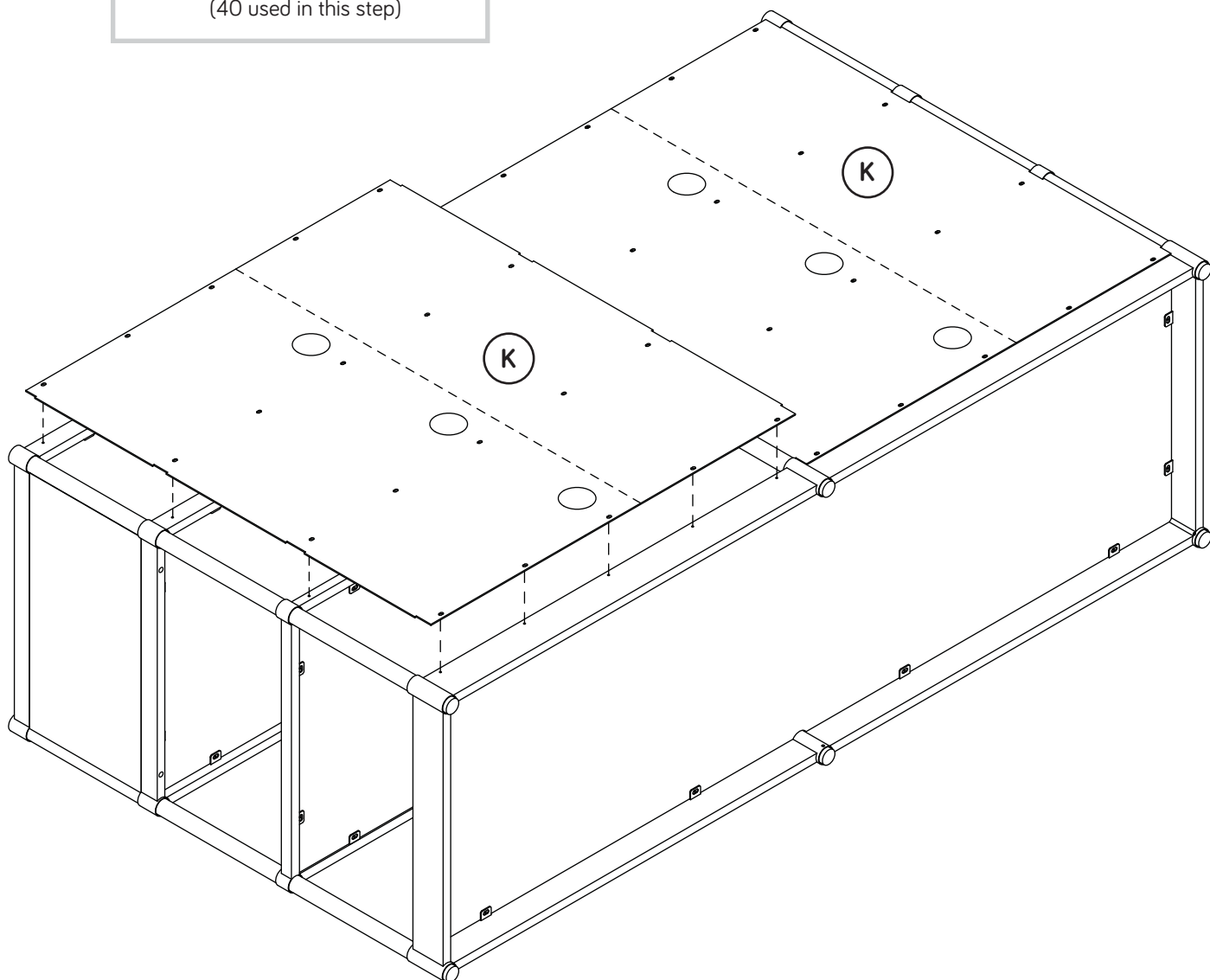
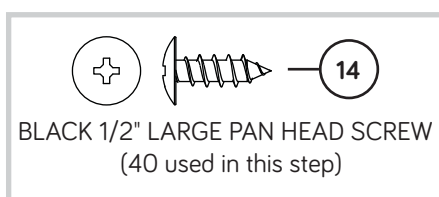


Step 13

- ✚ Unfold the BACKS (K) and lay them over your unit.
- ✚ Fasten the BACKS (K) to your unit using forty BLACK 1/2" LARGE PAN HEAD SCREWS (14).
- ✚ NOTE: Be sure to position the BACKS exactly as shown.
- ✚ NOTE: Perforations have been provided for access through the BACKS. Carefully cut out the holes needed.

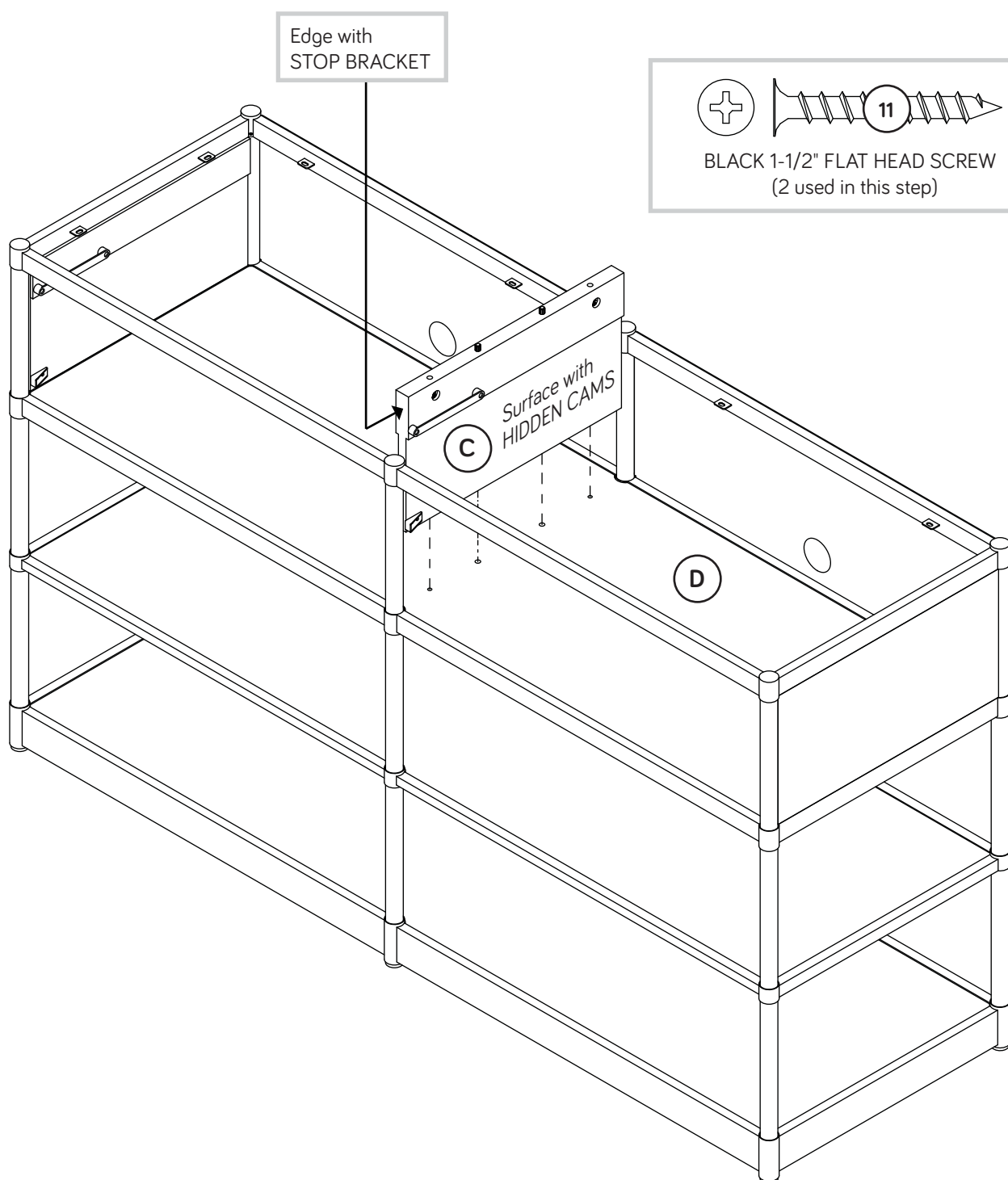


Do not stand the unit upright without the BACKS fastened. The unit may collapse.



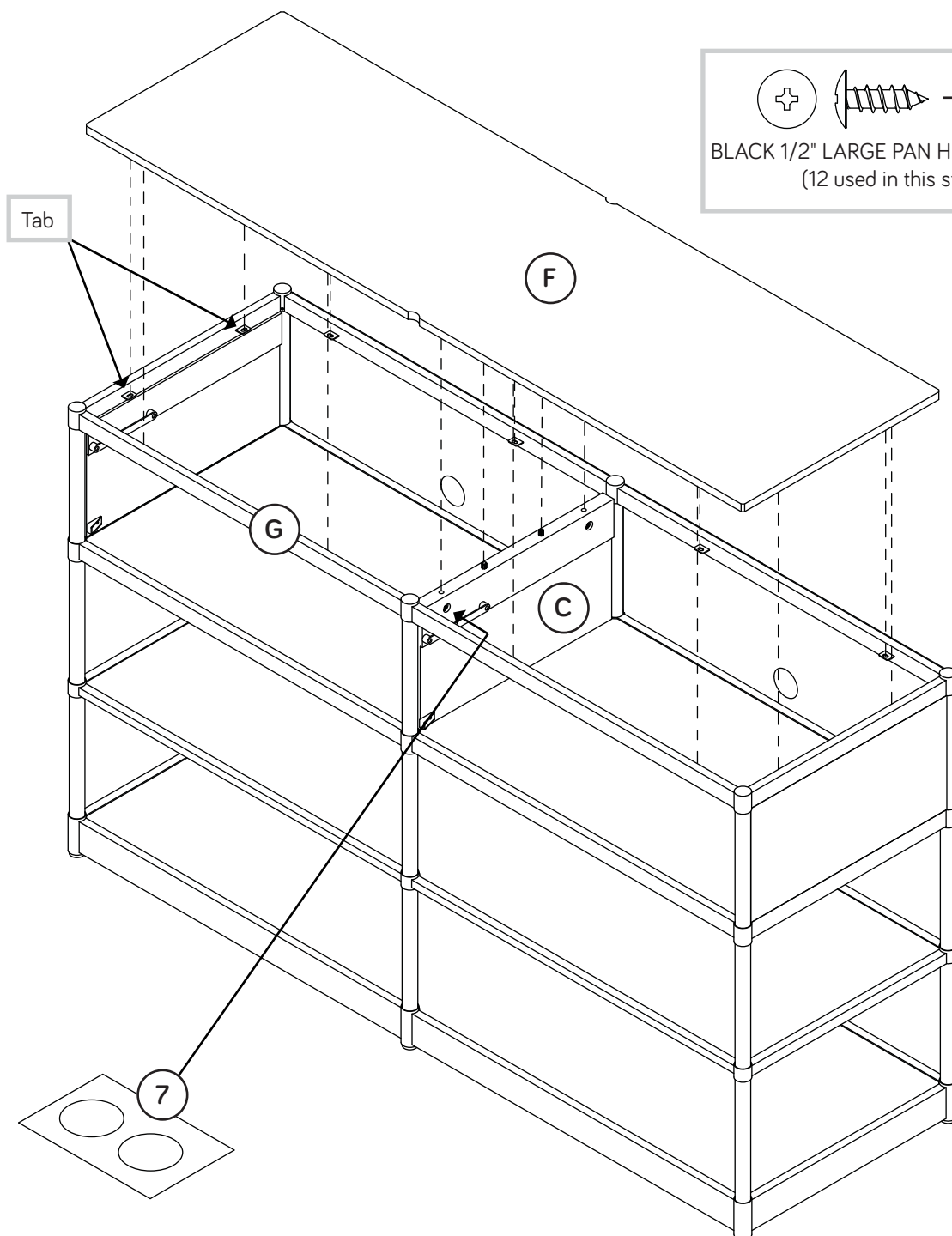
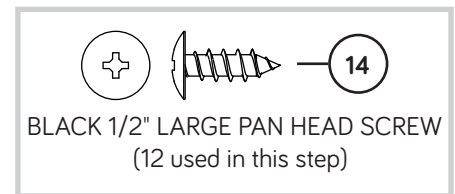
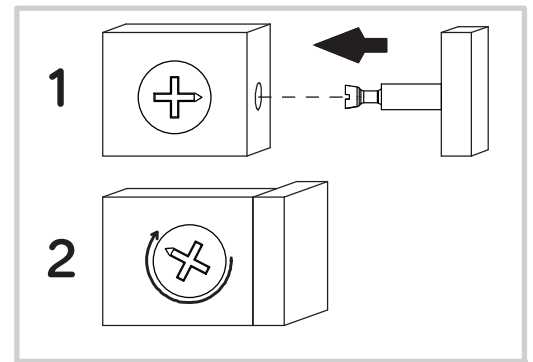
Step 14

- ✚ Carefully stand your unit upright.
- ✚ Fasten the UPRIGHT (C) to the SHELF (D). Use two BLACK 1-1/2" FLAT HEAD SCREWS (11).
- ✚ **NOTE:** Be sure the WOOD DOWELS in the UPRIGHT insert into the holes in the SHELF.



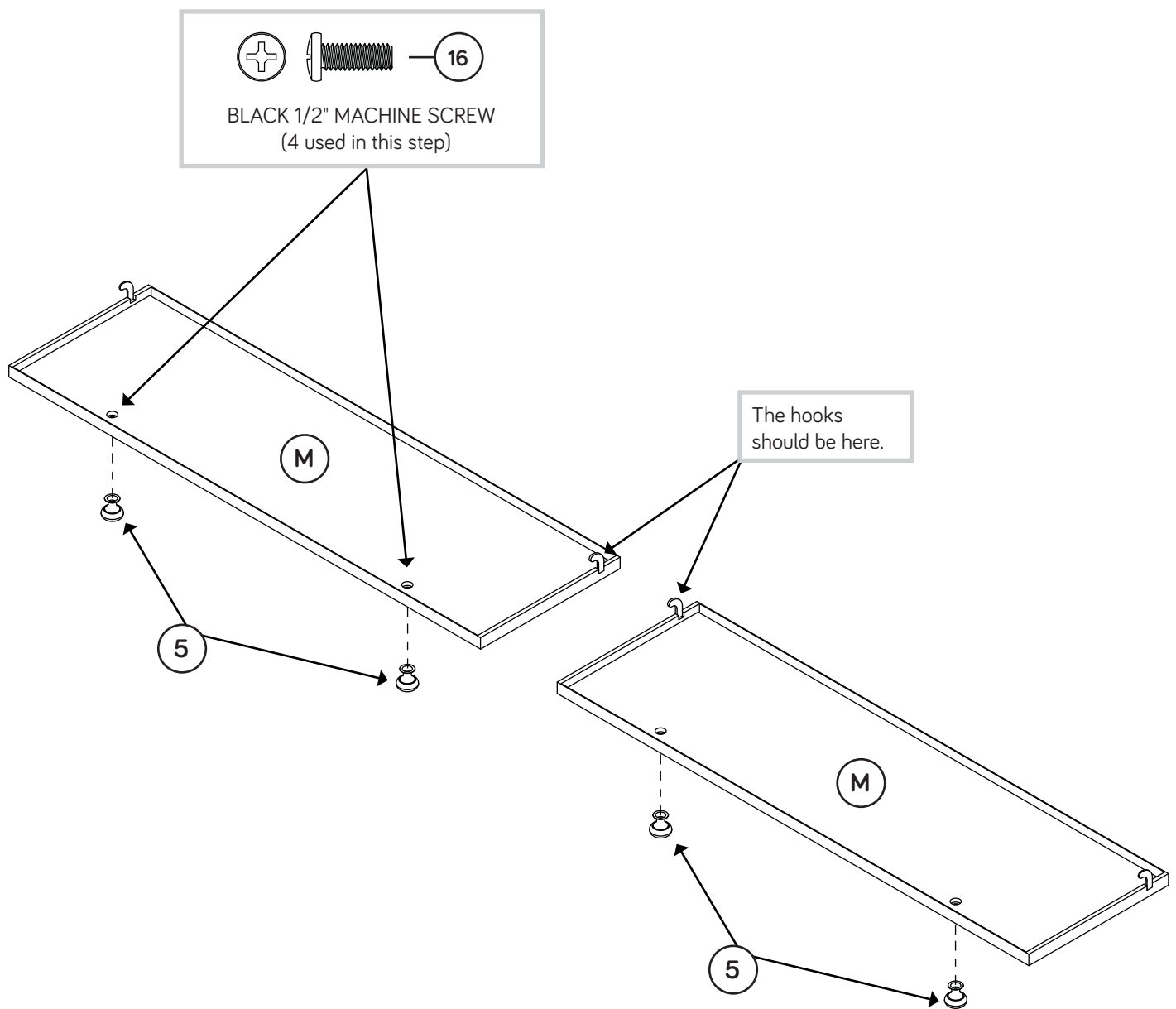
Step 15

- Fasten the TOP (F) to the UPRIGHT (C). Tighten two HIDDEN CAMS.
- NOTE:** Be sure the WOOD DOWELS in the UPRIGHT insert into the holes in the TOP.
- Fasten the TOP (F) to the TOP FRAME (G). Use twelve BLACK 1/2" LARGE PAN HEAD SCREWS (14) through the tabs on the TOP FRAME and into the holes in the TOP.
- Now, peel a CAM COVER from the CAM COVER CARD (7) and stick one onto each HIDDEN CAM in the UPRIGHT (C).



Step 16

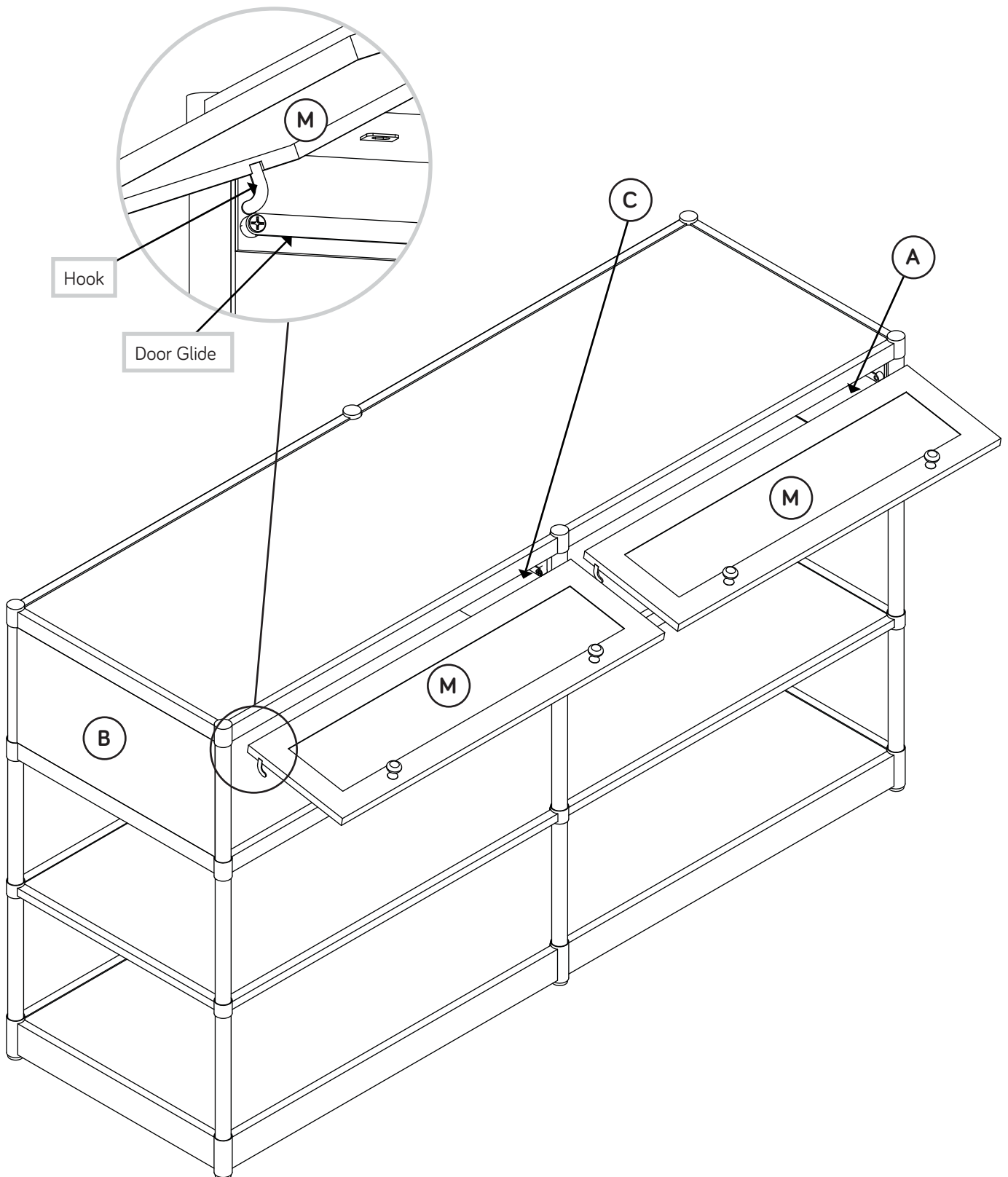
- Fasten the KNOBS (5) to the DOORS (M). Use four BLACK 1/2" MACHINE SCREWS (16).



Step 17

🔩 To insert the DOORS (M) into your unit, place the hooks on the DOORS behind the DOOR GLIDES on the ENDS (A and B) and UPRIGHT (C).

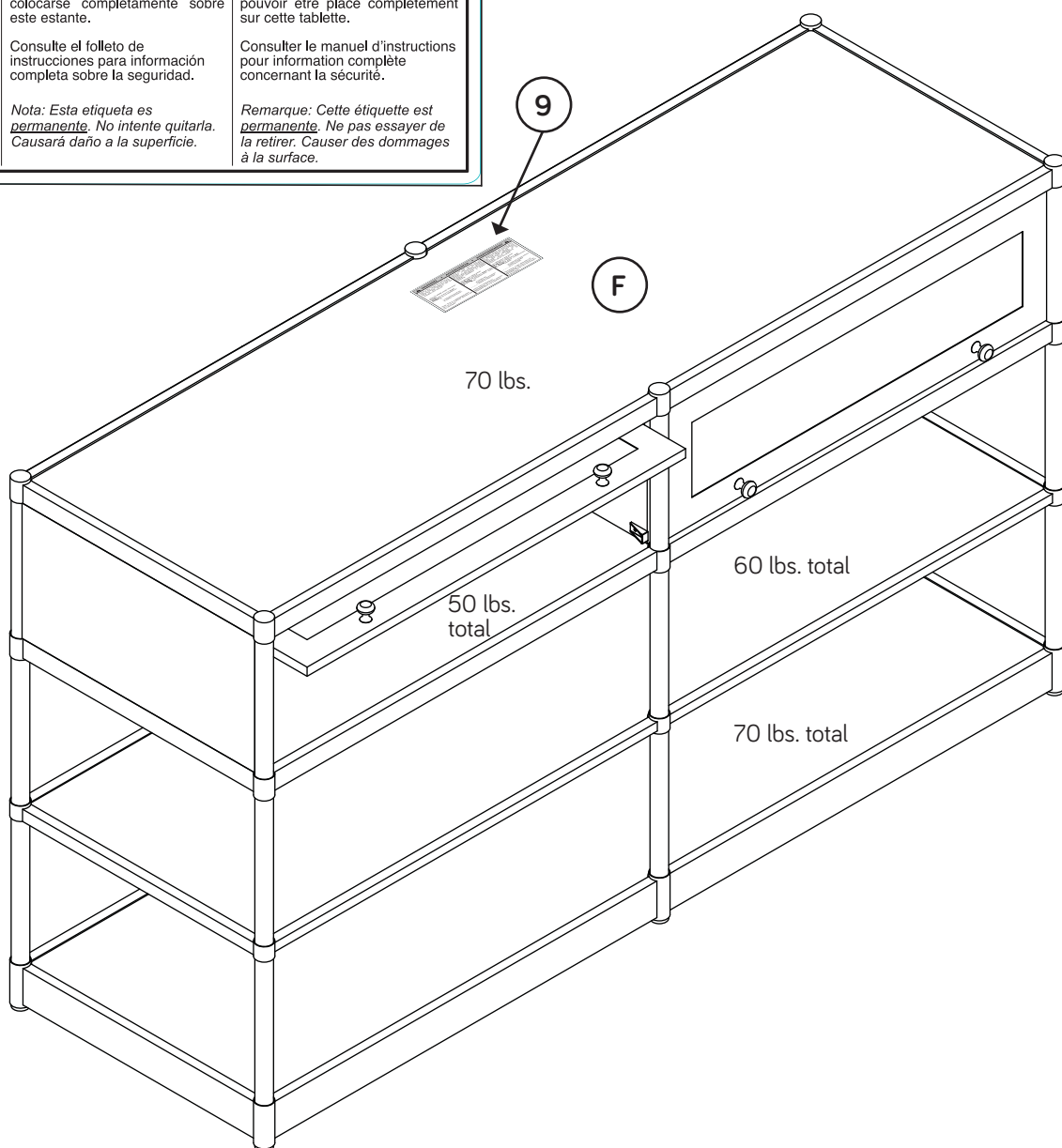
Zzz Almost time to celebrate! With a nap.



Step 18

- ✚ **NOTE:** This step will show one DOOR open to view weight limit.
- ✚ Apply the WARNING LABEL (9) to the TOP (F). You should be able to read the label when the TV is removed from the unit. When the TV is in place, it should hide the label. Peel off the backing and apply the label as shown in the diagram.
- ✚ **NOTE:** This is a permanent label intended to last for the life of the product. Once applied, do not try to remove it.
- ✚ **NOTE:** Please read the back pages of the instruction booklet for important safety information.
- ✚ This completes assembly. Clean with your favorite furniture polish or a damp cloth. Wipe dry.

⚠ WARNING • ADVERTENCIA • AVERTISSEMENT ⚠		
<p>Never use this furniture with a TV that is too large or too heavy. Severe injury or death can occur. The TV and furniture will be unstable and may tip.</p> <p>-The TV must weigh less than 70 lbs. -The base of the TV must be able to sit completely on this shelf.</p> <p>Refer to instruction book for complete safety information.</p> <p><i>Note: This is a <u>permanent</u> label. Do not try to remove. Surface will be damaged.</i></p>	<p>Nunca use este mueble con un televisor que es demasiado grande o demasiado pesado. Podría resultar en una lesión grave hasta fatal. El televisor y el mueble estarán inestables y pueden volcarse.</p> <p>-El televisor debe pesar 31,75 kg o menos. -La base del televisor debe poder colocarse completamente sobre este estante.</p> <p>Consulte el folleto de instrucciones para información completa sobre la seguridad.</p> <p><i>Nota: Esta etiqueta es <u>permanente</u>. No intente quitarla. Causará daño a la superficie.</i></p>	<p>Ne jamais utiliser ce meuble avec un téléviseur qui soit trop large ou trop lourd. Risque de provoquer des blessures graves, voire mortelles. Le téléviseur et le meuble seront instables et risquent de se renverser.</p> <p>-Le téléviseur doit peser 31,75 kg ou moins. -Le socle du téléviseur doit pouvoir être placé complètement sur cette tablette.</p> <p>Consulter le manuel d'instructions pour information complète concernant la sécurité.</p> <p><i>Remarque: Cette étiquette est <u>permanente</u>. Ne pas essayer de la retirer. Causer des dommages à la surface.</i></p>



⚠ WARNING

Please use your furniture correctly and safely. Improper use can cause safety hazards, or damage to your furniture or household items. Carefully read the following safety information.

Death or serious injury may occur when children climb on audio and/or video equipment furniture. A remote control or toys placed on the furnishing may encourage a child to climb on the furnishing and as a result may tip over onto the child.

NEVER allow children to climb or play with the TV or furnishing supporting the TV.

NEVER place toys, food, remote, etc. on top of the TV or TV furnishing.

ALWAYS use either the safety hardware as instructed or other wall anchoring device.

Relocating audio and/or video equipment to furniture not specifically designed to support audio and/or video equipment may result in death or serious injury due to furniture collapse or over turning onto a child.

NEVER place a TV on furniture that is not intended to support a TV.

NEVER exceed the maximum size and weight of the TV shown in the instructions.

Be sure to apply the TV warning label as shown in the instructions.

Overloading drawers and shelves may result in furniture that can break or sag, or tip-over which may result in injury.

NEVER exceed the weight limits shown in the instructions.

Place the heavier items on lower shelves as far back from the front as possible.

Load the bottom surfaces first to avoid top-heavy furniture.

Moving furniture that is not designed to be moved or equipped with casters may result in injury or damage to furnishings or personal property.

ALWAYS unload shelves and drawers, starting with the top surfaces, before moving.

NEVER push or pull furniture on carpet. Have a friend help lift properly to move and/or reposition it.