

Get crafty.

Craft Desk/Table

Craft Collection | Model 5421417

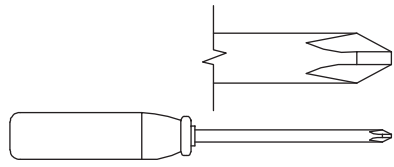
NOTE: THIS INSTRUCTION BOOKLET CONTAINS **IMPORTANT** SAFETY INFORMATION.

PLEASE READ AND KEEP FOR FUTURE REFERENCE.

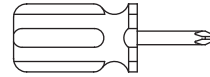
Table of Contents

Assembly Tools Required

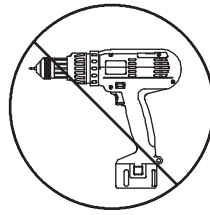
Part Identification	3
Hardware Identification	4
Assembly Steps	5-20
Français	21-24
Español	25-28
Safety	29-30
Warranty	31



No. 2 Phillips Screwdriver
Tip Shown Actual Size



Short Screwdriver



Skip the power trip.
This time.

Part Identification

Now you know
our ABCs.

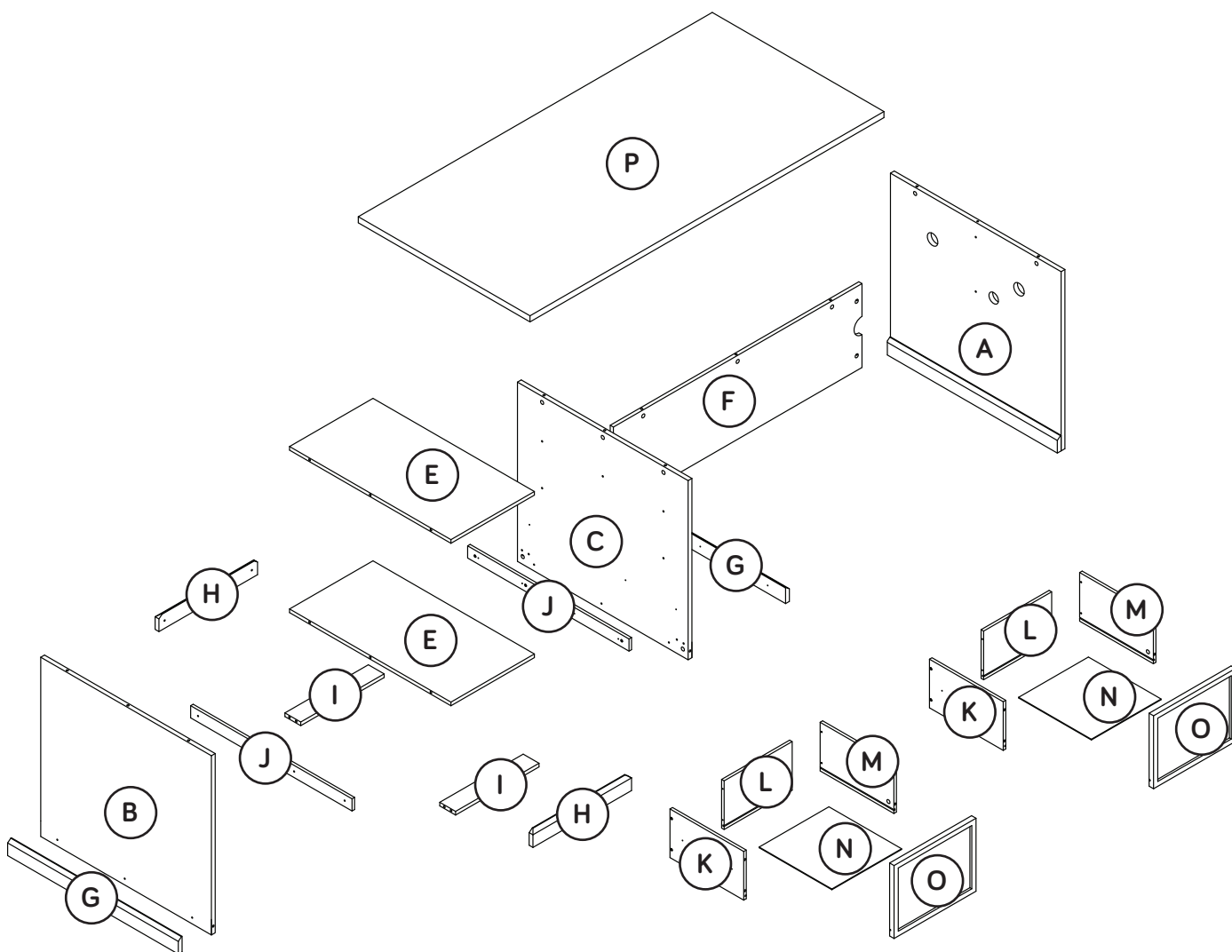


↑ While not all parts are labeled, some of the parts will have a label or an inked letter on the edge to help distinguish similar parts from each other. Use this part identification to help identify similar parts.

A	RIGHT END (1)
B	LEFT END (1)
C	UPRIGHT (1)
E	SHELF (2)
F	BACK (1)

G	LONG BASE MOLDING (2)
H	SHORT BASE MOLDING (2)
I	BRACE (2)
J	RAIL EXTENSION (2)
K	LEFT DRAWER SIDE (2)

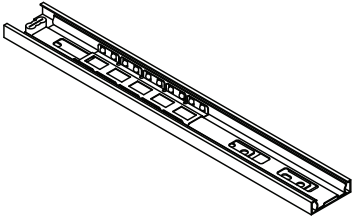
L	DRAWER BACK (2)
M	RIGHT DRAWER SIDE (2)
N	DRAWER BOTTOM (2)
O	DRAWER FRONT (2)
P	TOP (1)



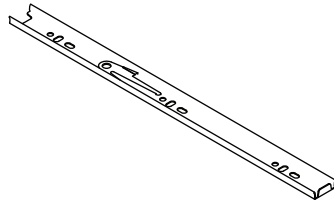
Hardware Identification

† Screws are shown actual size. You may receive extra hardware with your unit.

1 EXTENSION RAIL - 4



2 EXTENSION SLIDE - 4

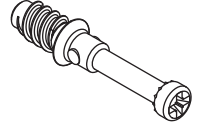


(EXTENSION SET SHOWN SEPARATED)

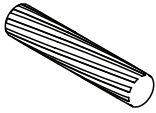
3 HIDDEN CAM - 47



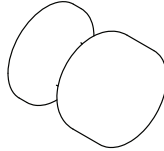
4 CAM SCREW - 47



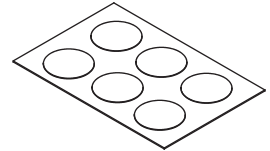
5 WOOD DOWEL - 1



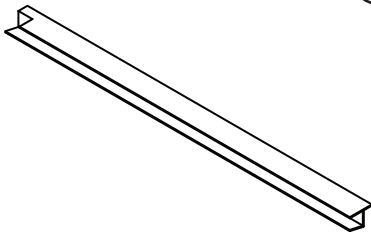
6 KNOB - 2



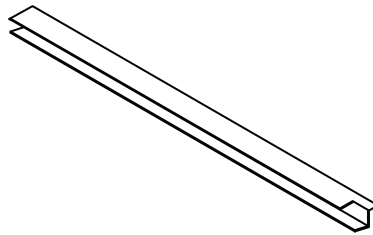
7 CAM COVER CARD - 5



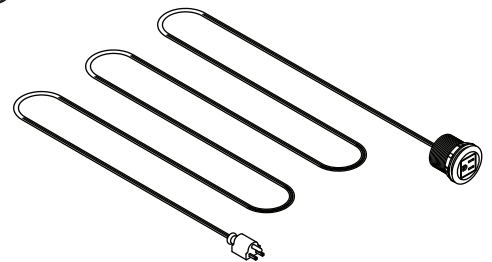
8 RIGHT FILE GLIDE - 2



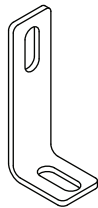
9 LEFT FILE GLIDE - 2



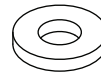
10 ELECTRICAL CORD - 1



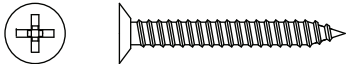
18 METAL BRACKET - 4



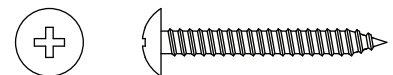
19 WASHER - 2



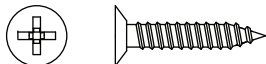
11 SILVER 1-3/16" FLAT HEAD SCREW - 8



12 SILVER 1-3/16" PAN HEAD SCREW - 6



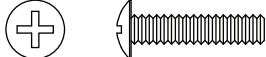
14 SILVER 13/16" PAN HEAD SCREW - 8



15 SILVER 1/2" FLAT HEAD SCREW - 16



16 SILVER 11/16" MACHINE SCREW - 2

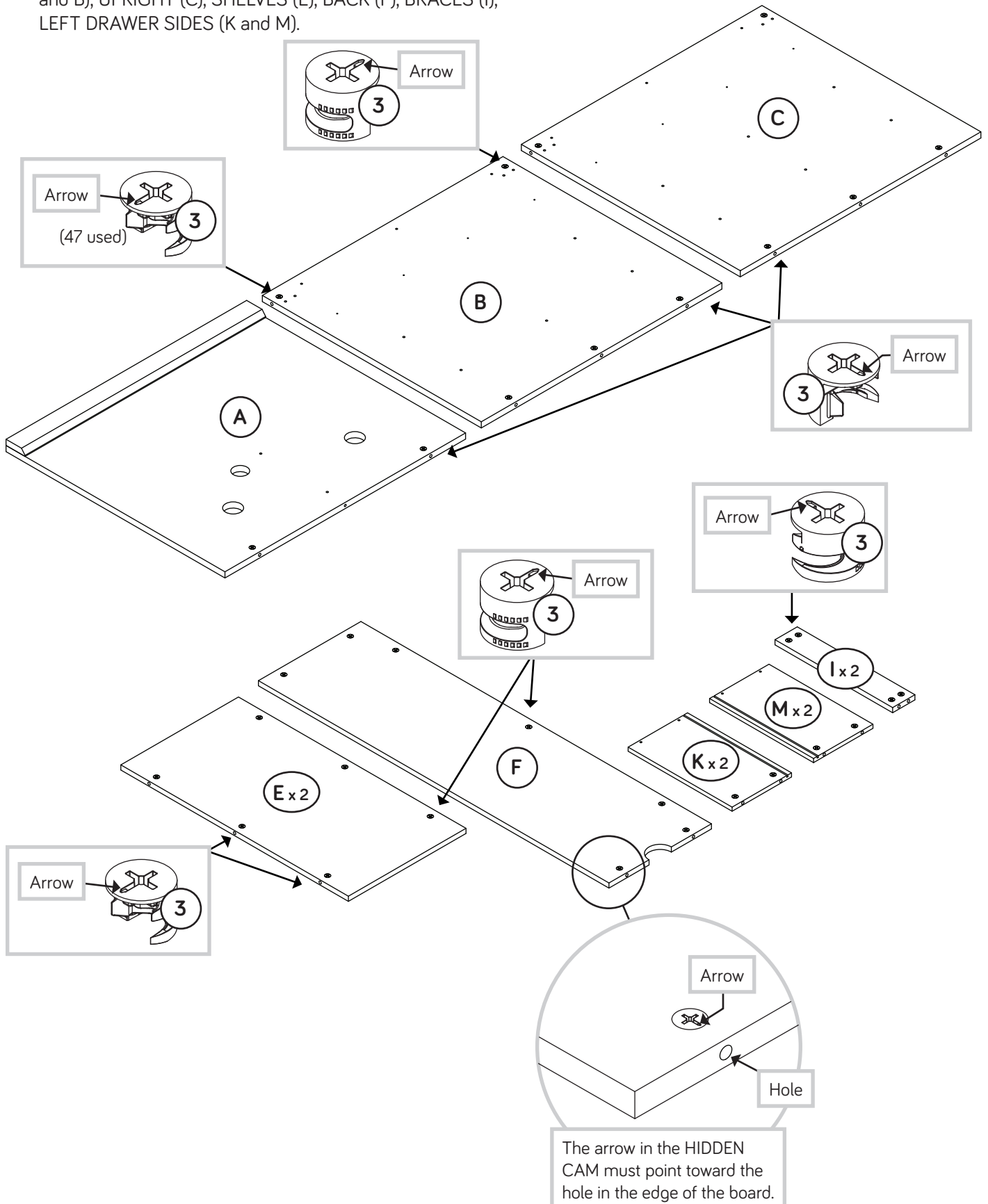


17 11/16" PAN HEAD SCREW - 8



Step 1

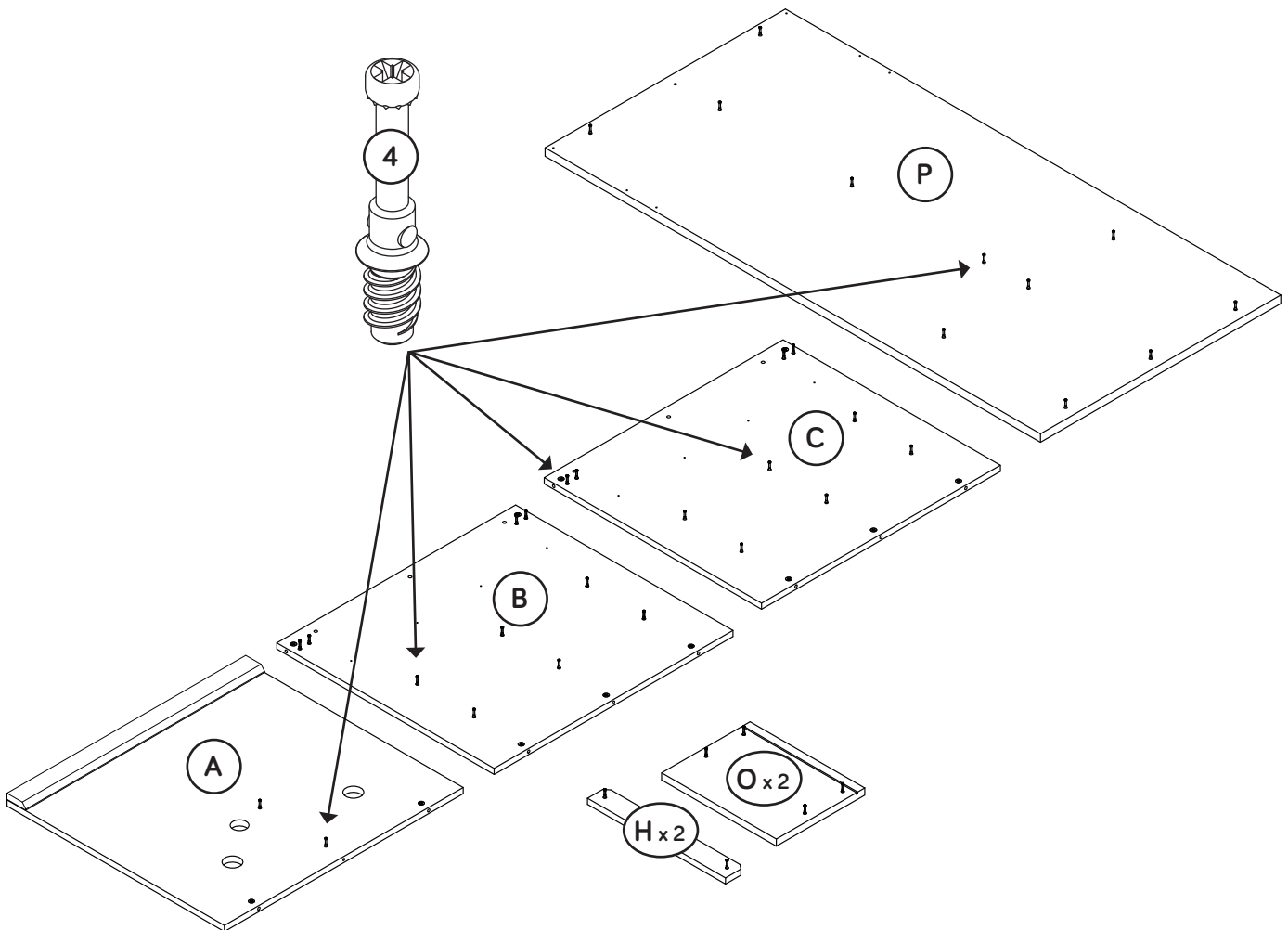
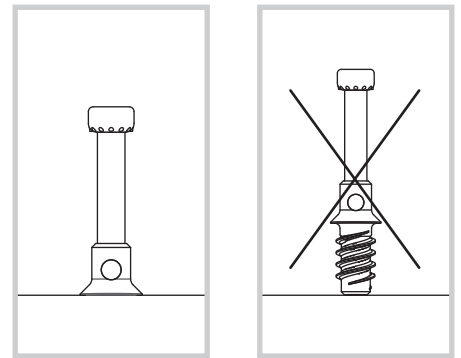
Push forty-seven HIDDEN CAMS (3) into the ENDS (A and B), UPRIGHT (C), SHELVES (E), BACK (F), BRACES (I), LEFT DRAWER SIDES (K and M).



Step 2

✚ Turn forty-five CAM SCREWS (4) into the ENDS (A and B), UPRIGHT (C), TOP (P), SHORT BASE MOLDINGS (H), and DRAWER FRONTS (O).

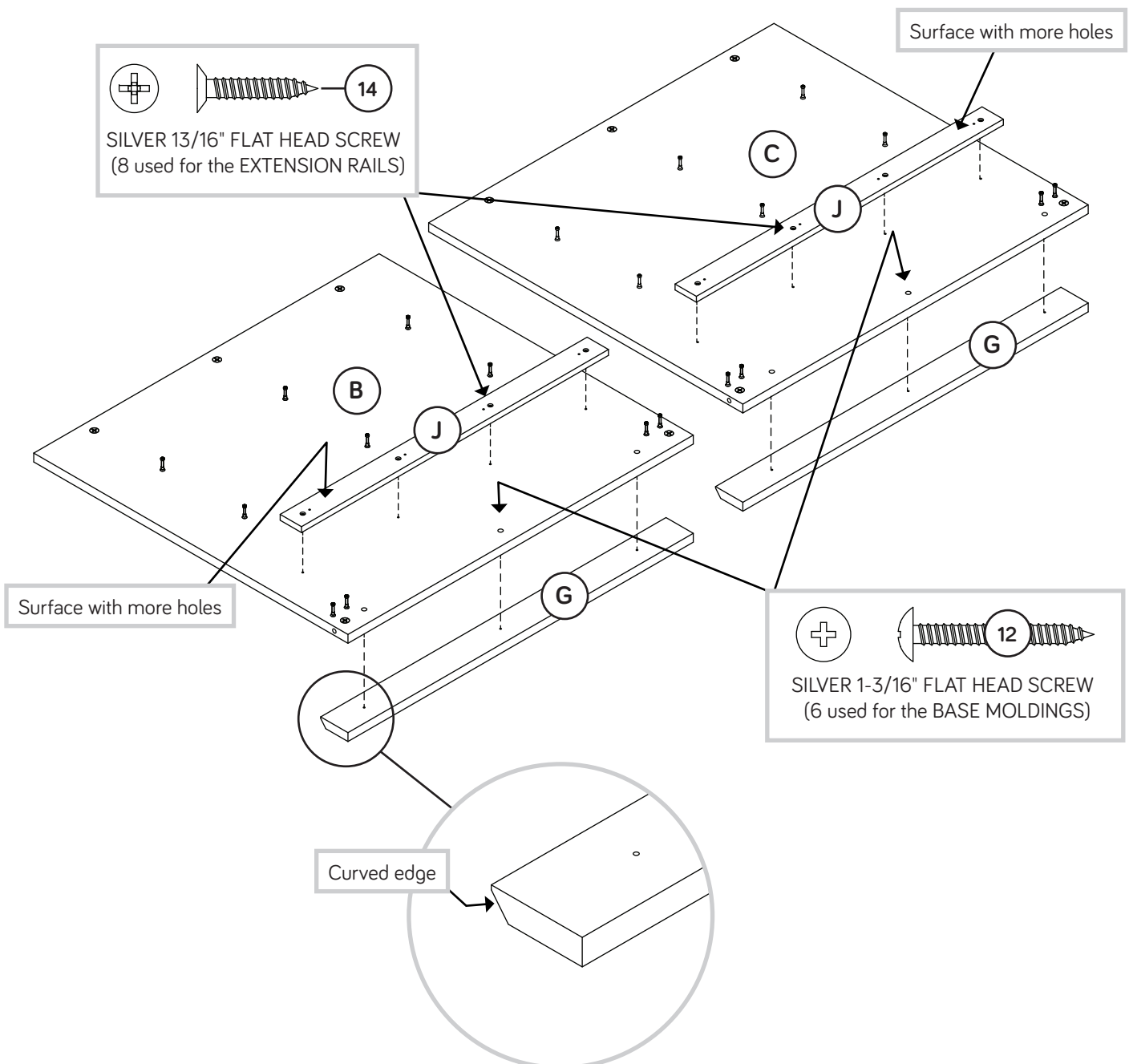
✚ NOTE: Two CAMS SCREWS will be used in step 11.



Step 3

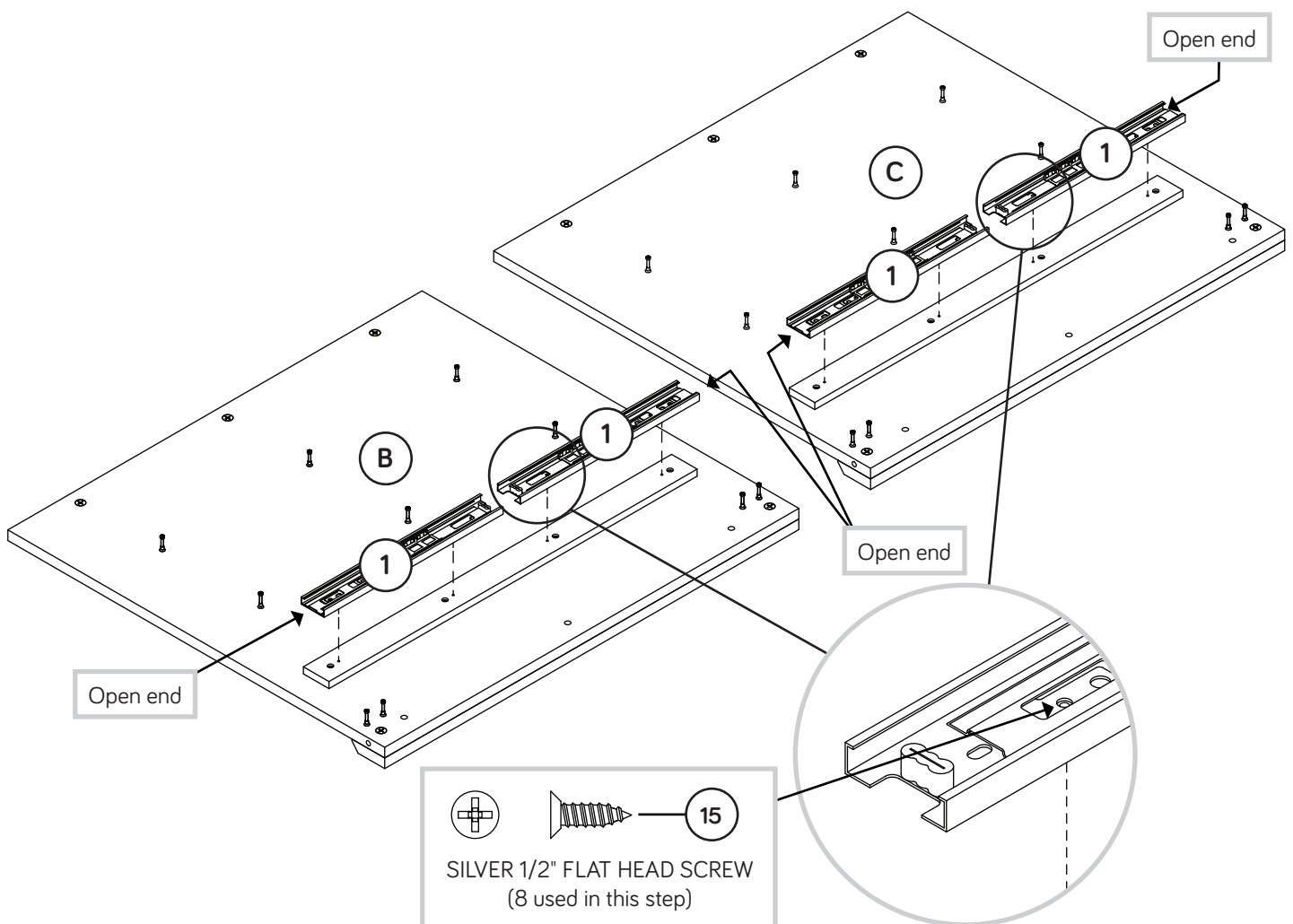
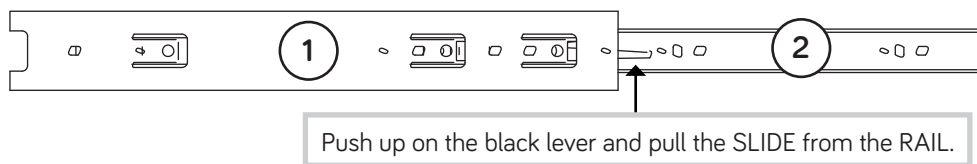
- Fasten the RAIL EXTENSIONS (J) to the LEFT END (B) and UPRIGHT (C). Use eight SILVER 13/16" FLAT HEAD SCREWS (14).
- Fasten the LONG BASE MOLDINGS (G) to the LEFT END (B) and UPRIGHT (C). Use six SILVER 1-3/16" PAN HEAD SCREWS (12).

 Remember:
Righty tighty.
Lefty loosey.



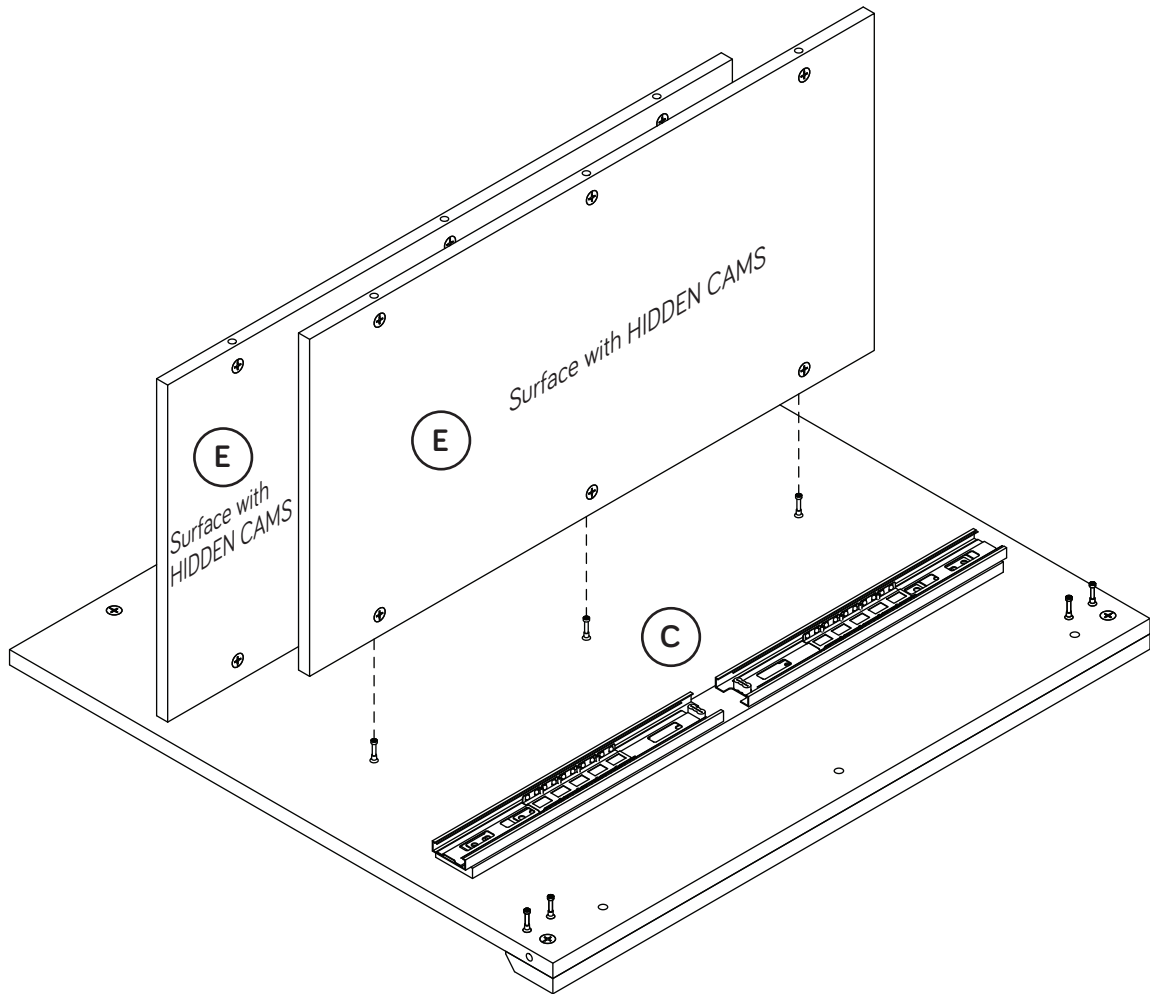
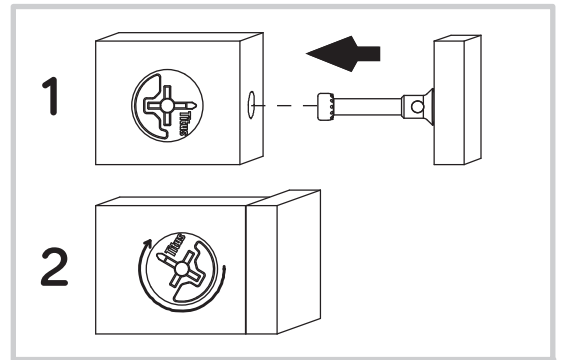
Step 4

- ✚ Separate the EXTENSION SLIDES (2) from the EXTENSION RAILS (1) as shown in the upper diagram below. Be prepared, the parts are greasy.
- ✚ Fasten the EXTENSION RAILS (1) to the LEFT END (B) and UPRIGHT (C). Use eight SILVER 1/2" FLAT HEAD SCREWS (15).
- ✚ NOTE: For each EXTENSION RAIL, turn a SCREW into the hole shown in the enlarged diagram. Then, slide the inner cartridge of the EXTENSION RAIL in to find the other hole that lines up with the hole in the END and UPRIGHT. Turn a SCREW into this hole.
- ✚ NOTE: The EXTENSION SLIDES will be used later for the DRAWERS.



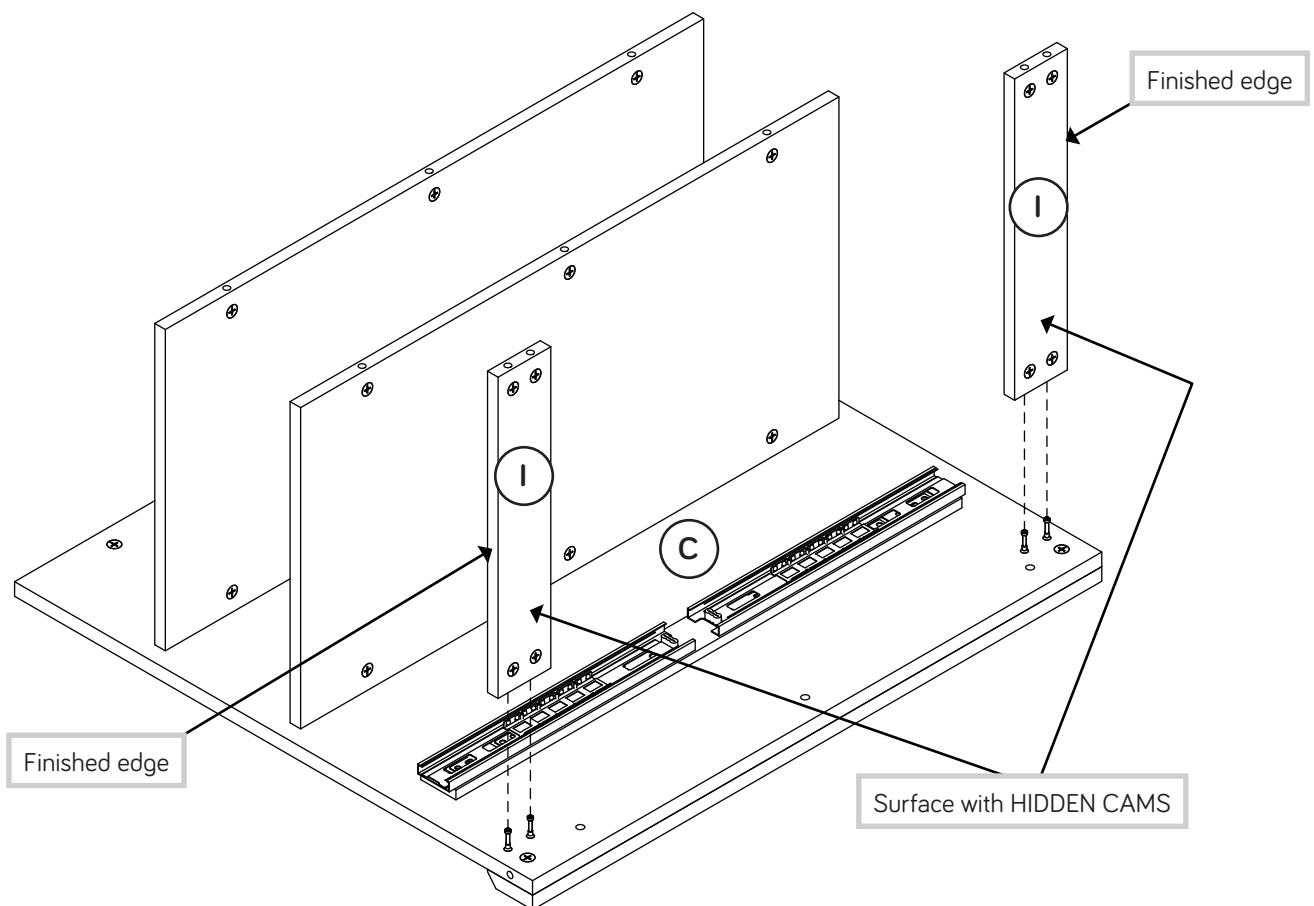
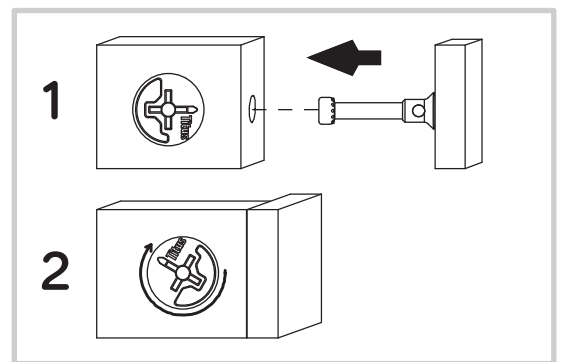
Step 5

Fasten the SHELVES (E) to the UPRIGHT (C). Tighten six HIDDEN CAMS.



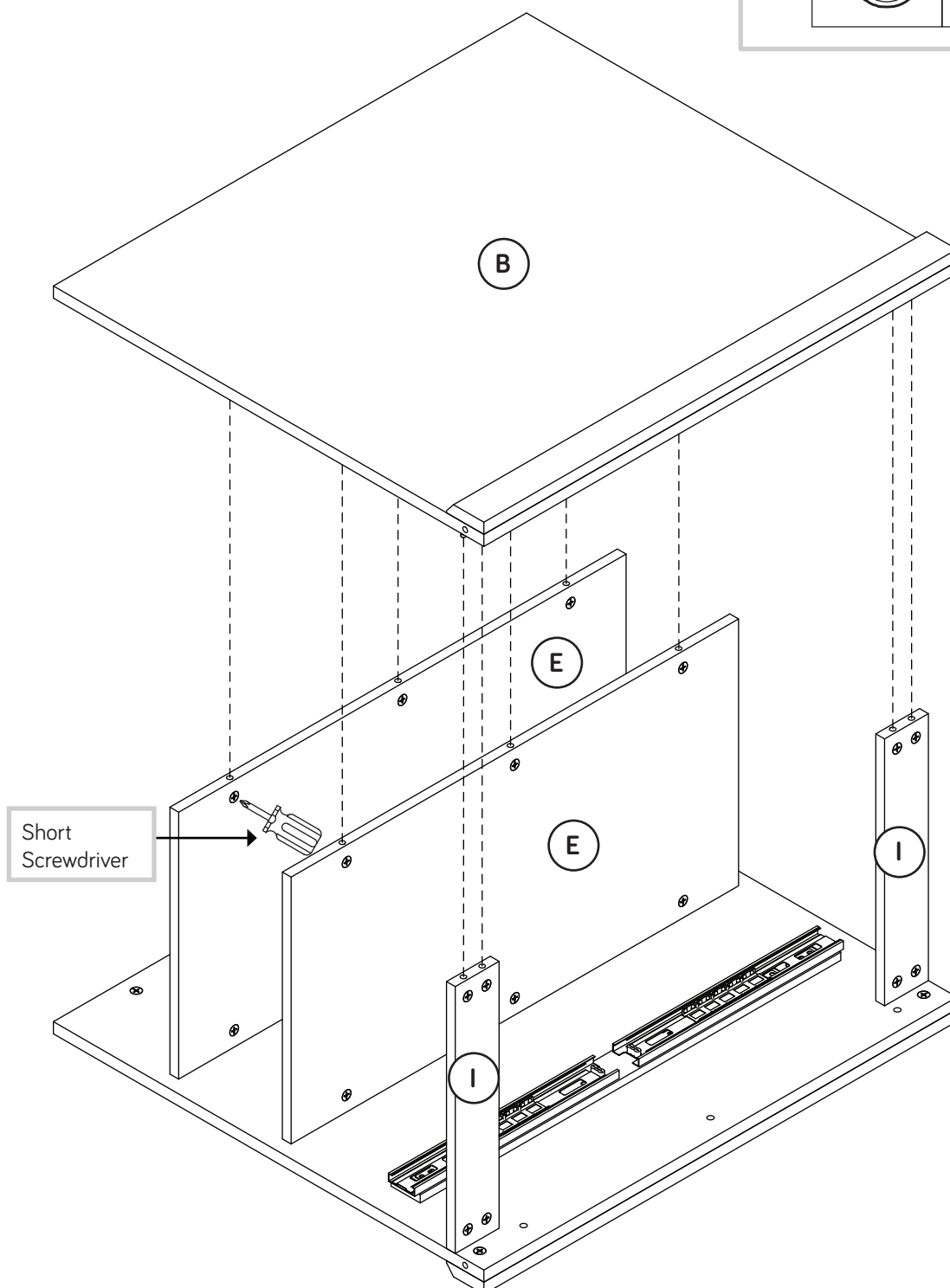
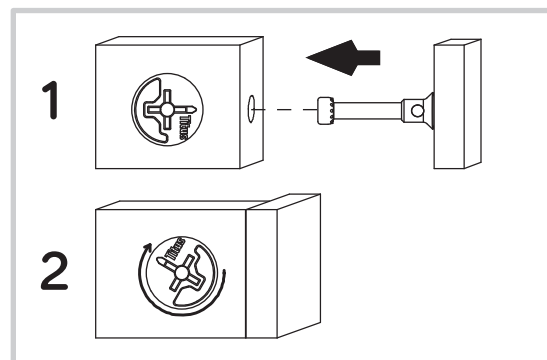
Step 6

Fasten the BRACES (I) to the UPRIGHT (C). Tighten four HIDDEN CAMS.



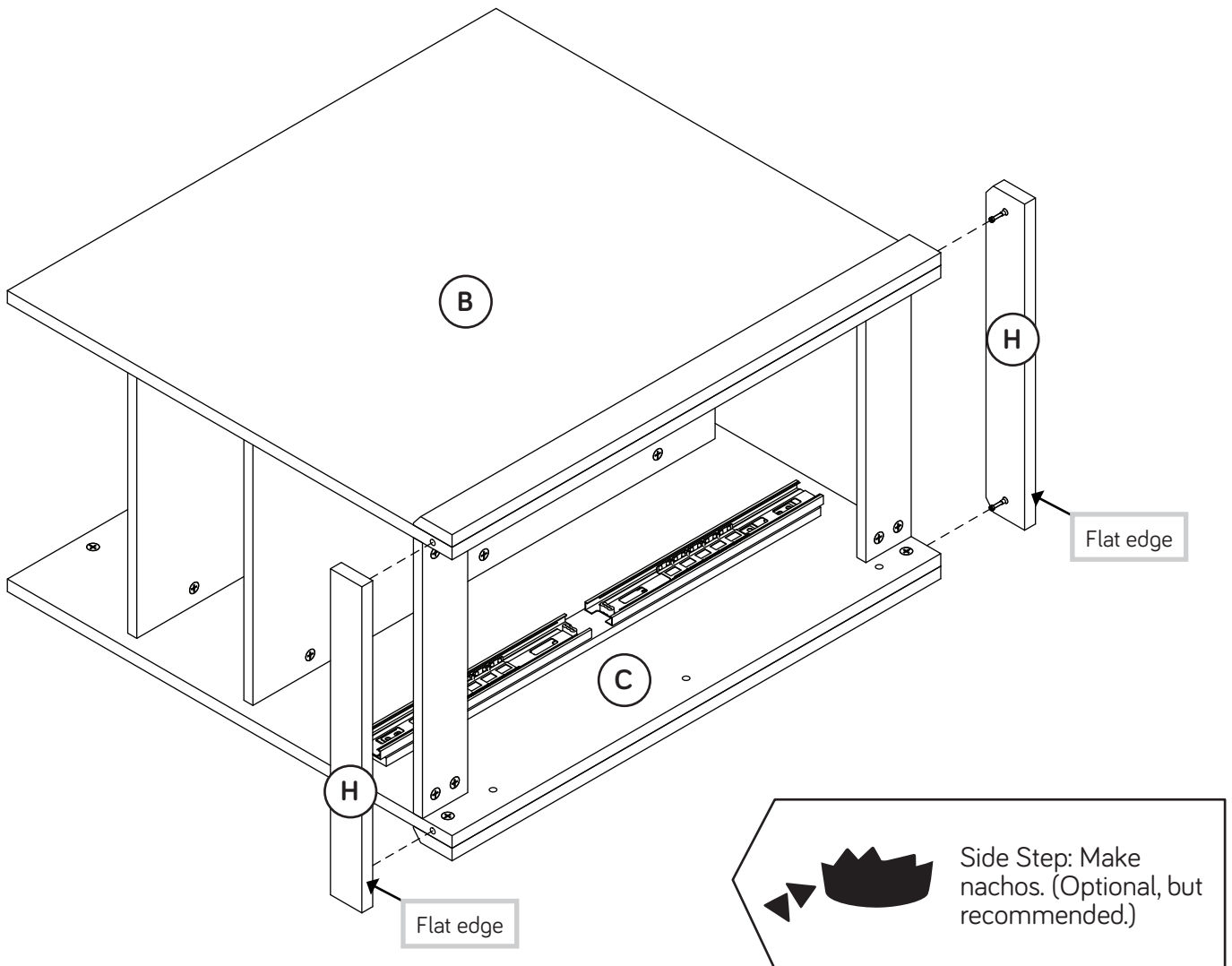
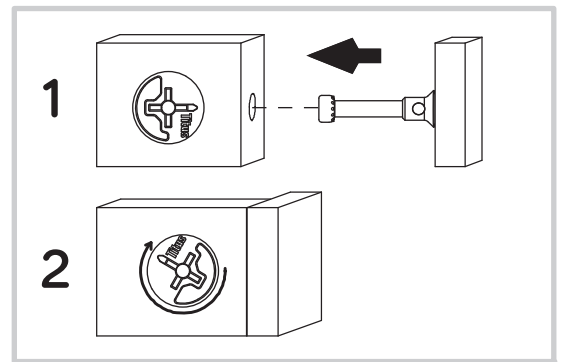
Step 7

- ✚ You will need a short screwdriver in this step.
- ✚ Fasten the LEFT END (B) to the SHELVES (E) and BRACES (I). Tighten ten HIDDEN CAMS.



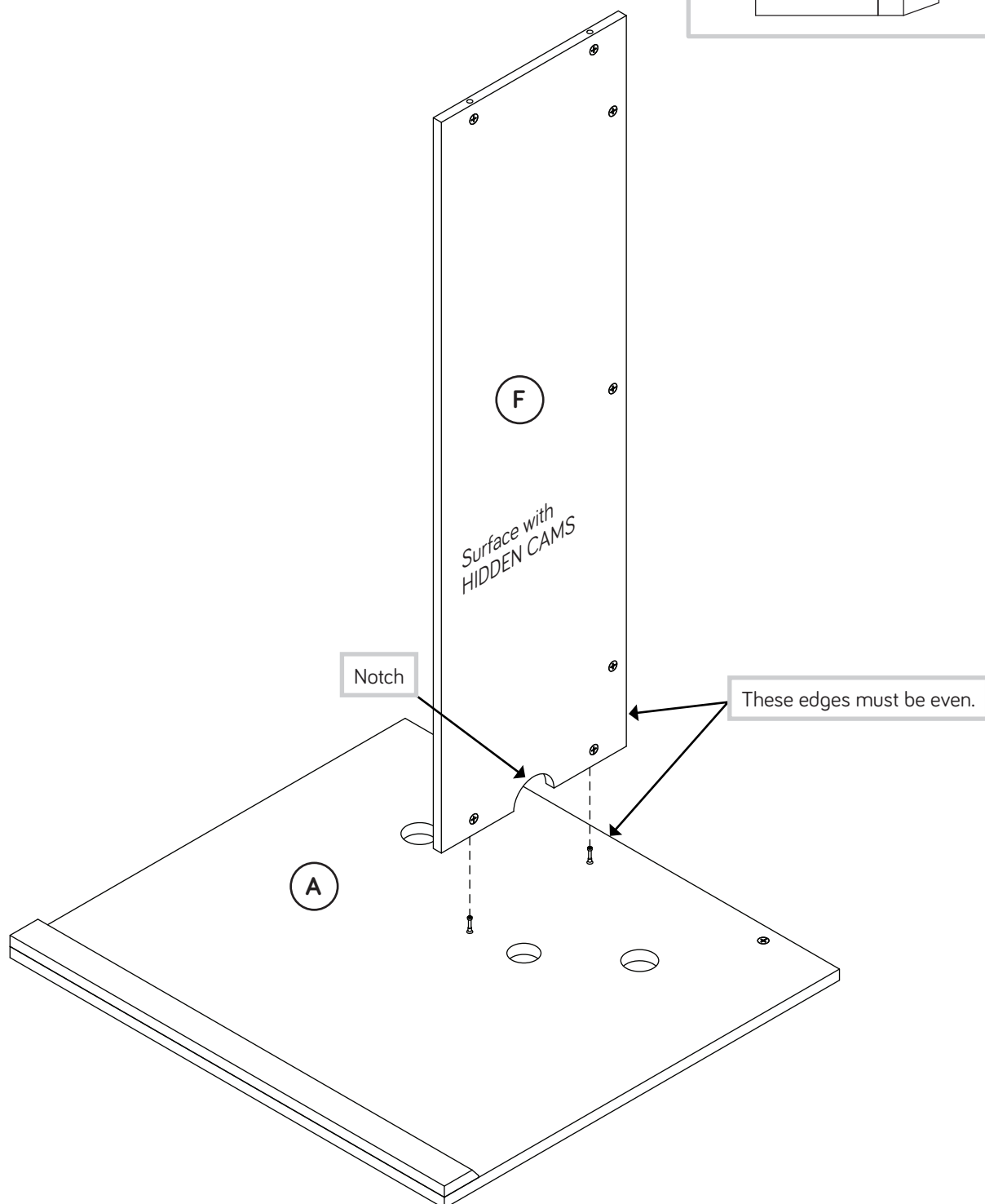
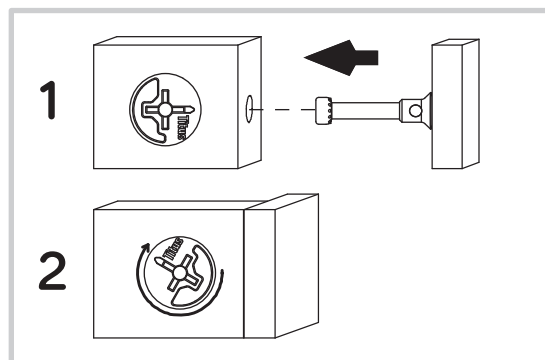
Step 8

Fasten the SHORT BASE MOLDINGS (H) to the UPRIGHT (C) and LEFT END (B). Tighten four HIDDEN CAMS.



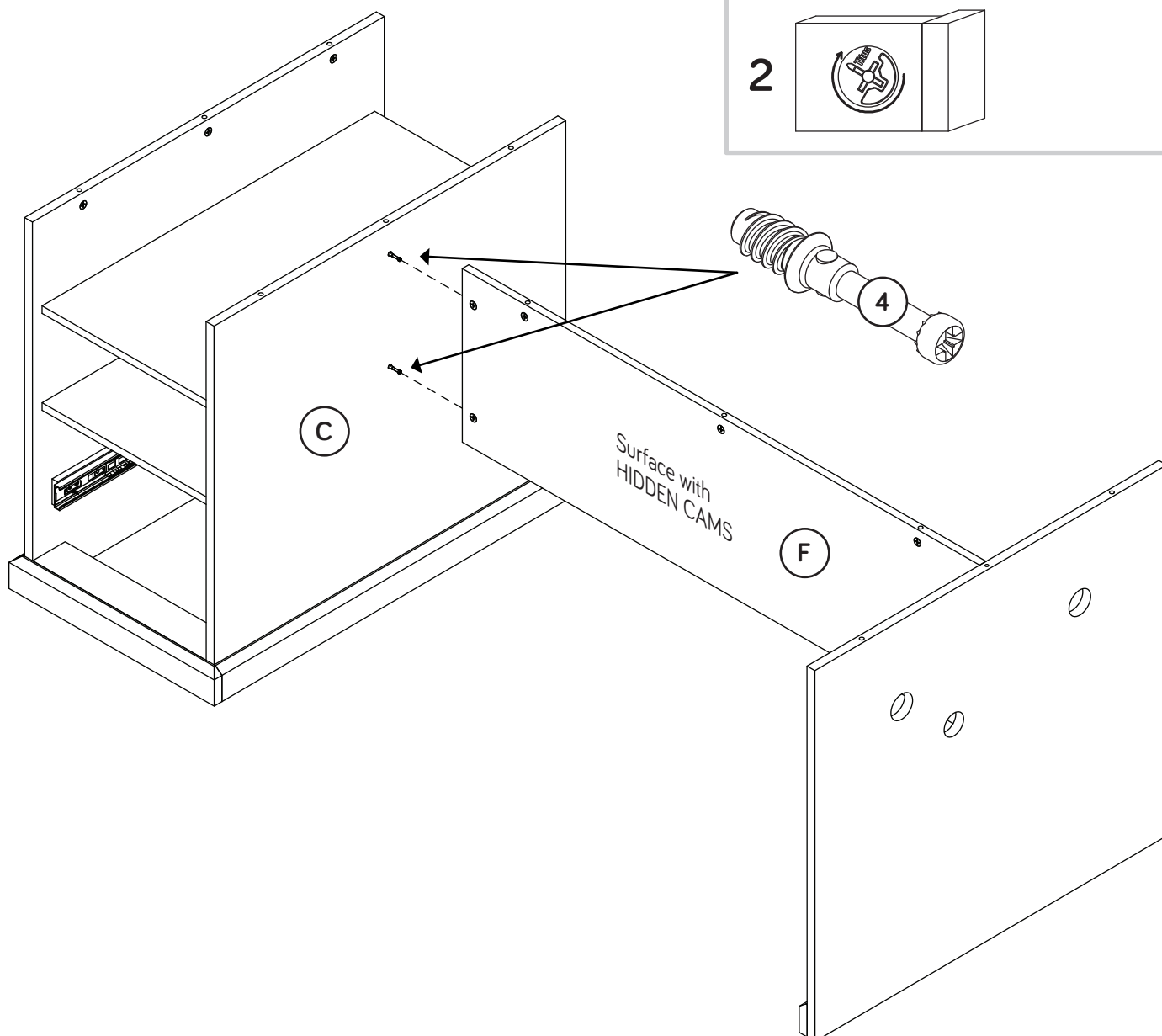
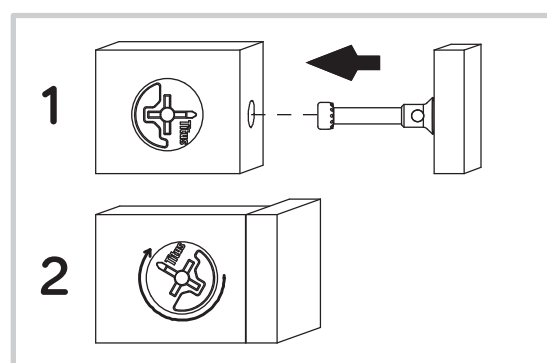
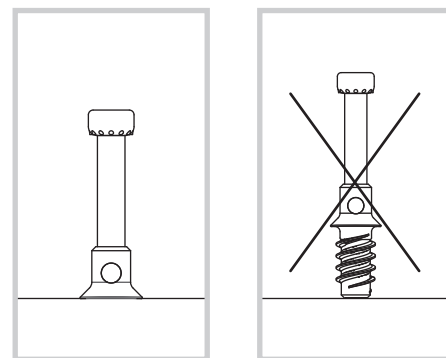
Step 9

Fasten the BACK (F) to the RIGHT END (A). Tighten two HIDDEN CAMS.



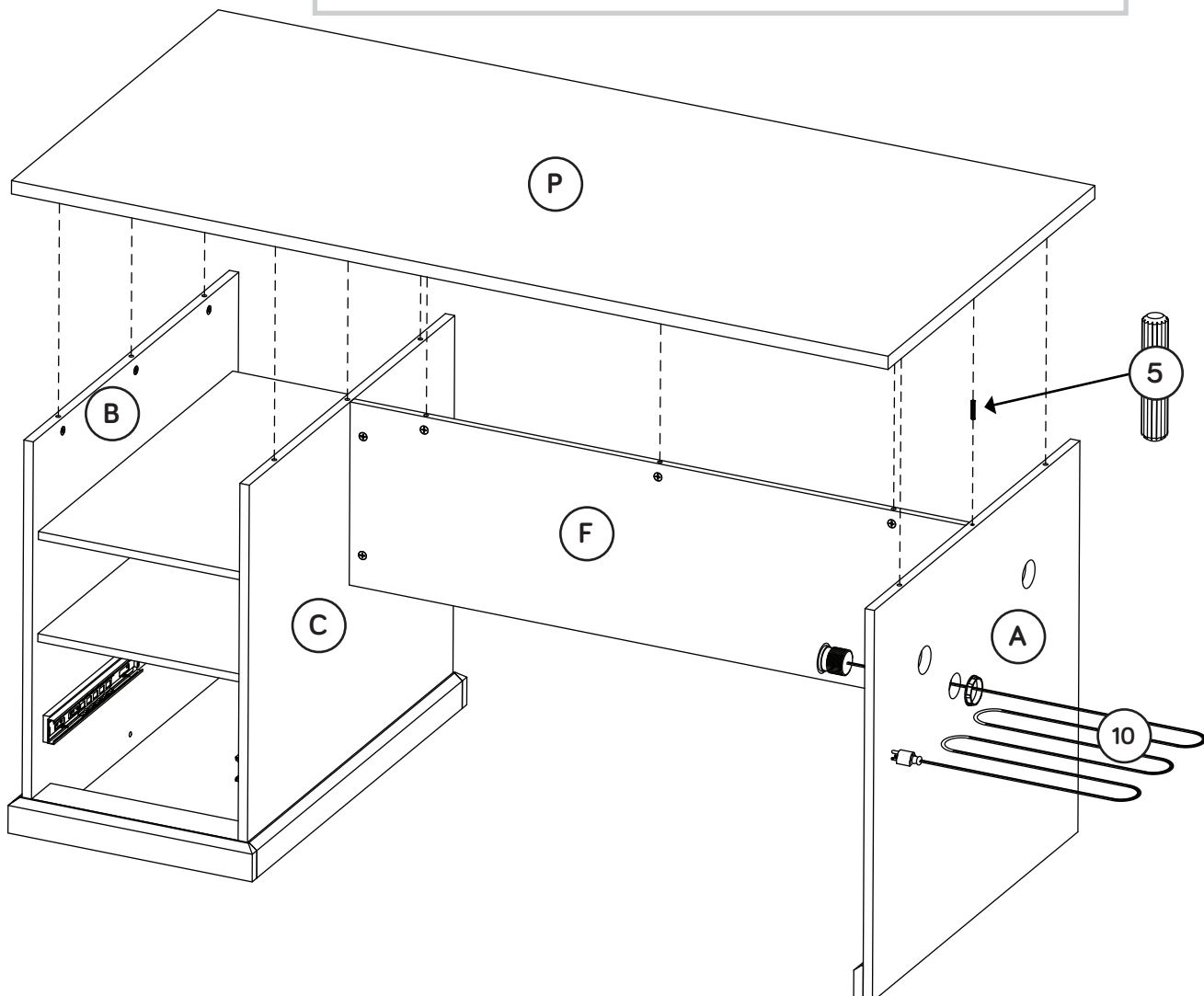
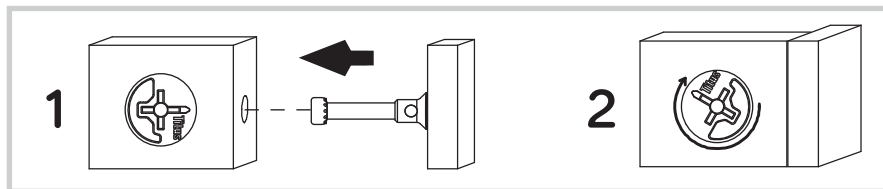
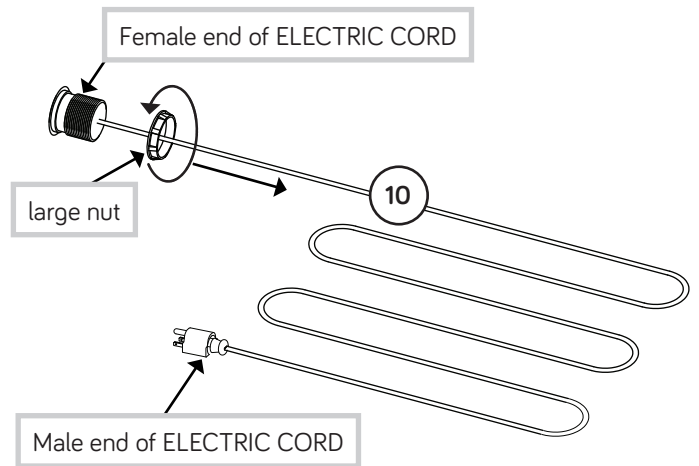
Step 10

- ✚ Stand your unit upright.
- ✚ Turn two CAM SCREWS (4) into the UPRIGHT (C).
- ✚ Fasten the BACK (F) to the UPRIGHT (C). Tighten two HIDDEN CAMS.

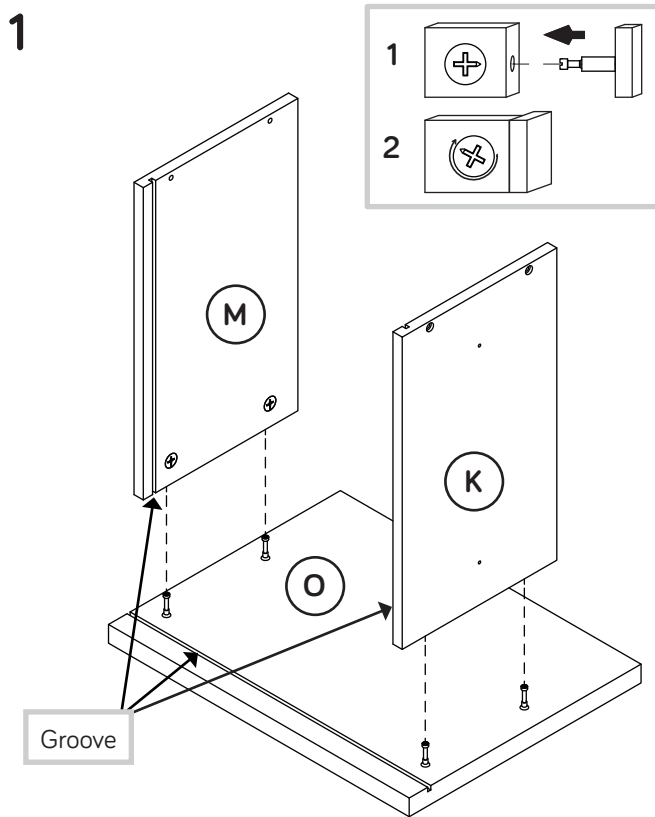


Step 11

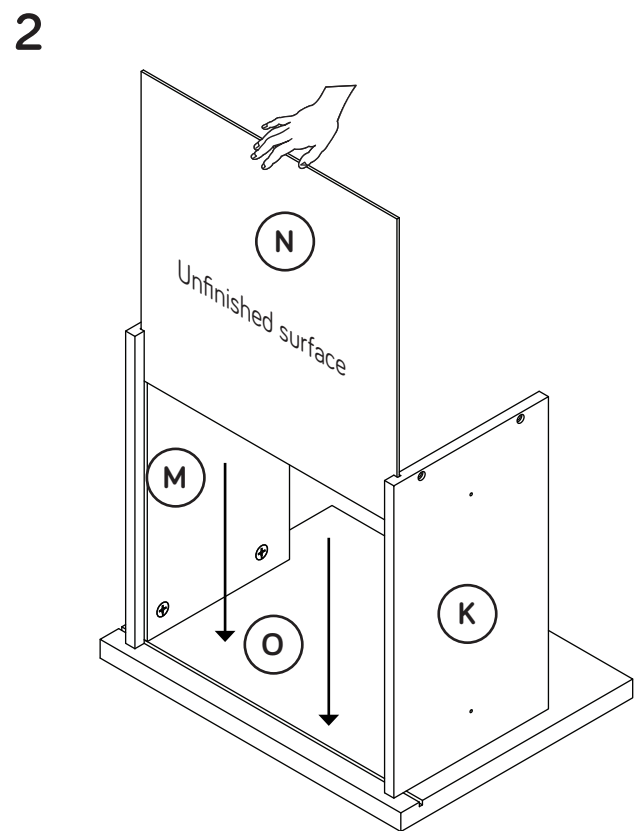
- ✚ Turn and remove the large nut from the female end of the ELECTRICAL CORD (10) as shown to the right.
- ✚ Next thread the male end of the cord through the hole in the RIGHT END (A) as shown below.
- ✚ Lastly, turn the large nut back onto the female end of the ELECTRICAL CORD (10) as shown below.
- ✚ Insert the WOOD DOWEL (5) into the hole in the edge of the RIGHT END (A).
- ✚ Fasten the TOP (P) to the RIGHT END (A), BACK (F), UPRIGHT (C) and LEFT END (B). Tighten ten HIDDEN CAMS.
- ✚ **NOTE:** Be sure the WOOD DOWEL in the RIGHT END inserts into the TOP.



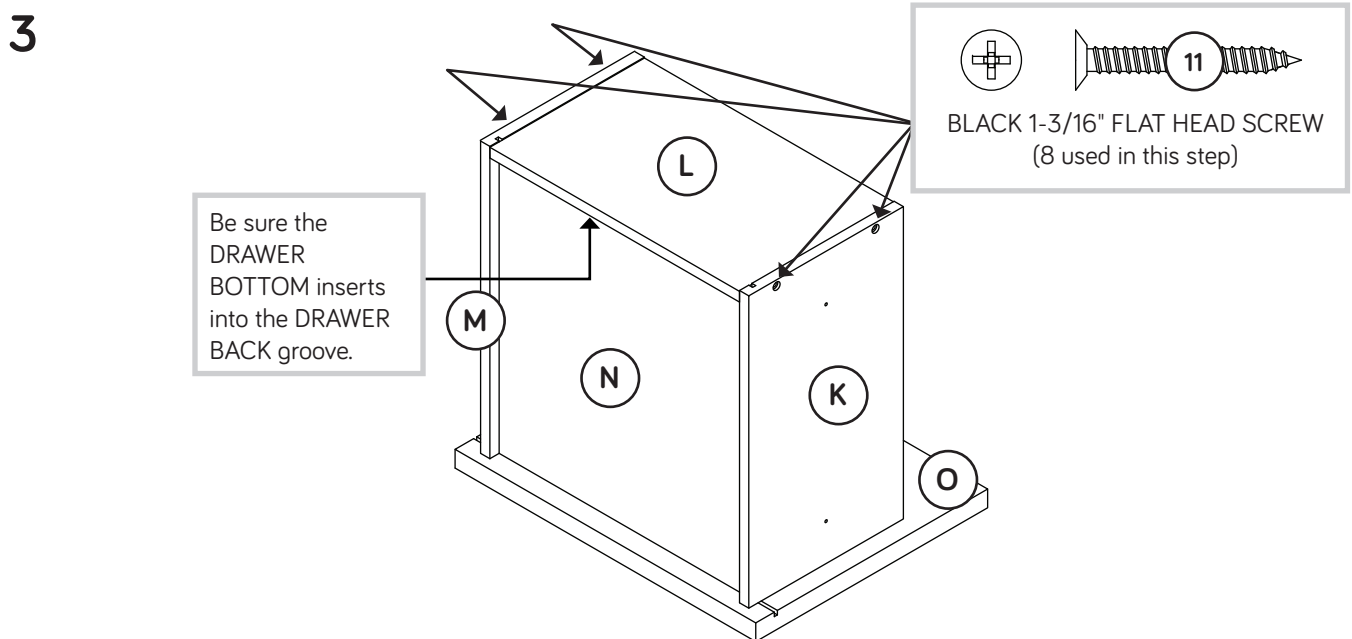
Step 12



Fasten one each of the DRAWER SIDE (K and M) to a DRAWER FRONT (O). Tighten four HIDDEN CAMS.



Slide the DRAWER BOTTOM (N) into the grooves in the DRAWER SIDES (K and M) and DRAWER FRONT (O).



Be sure the DRAWER BOTTOM inserts into the DRAWER BACK groove.

BLACK 1-3/16" FLAT HEAD SCREW (8 used in this step)

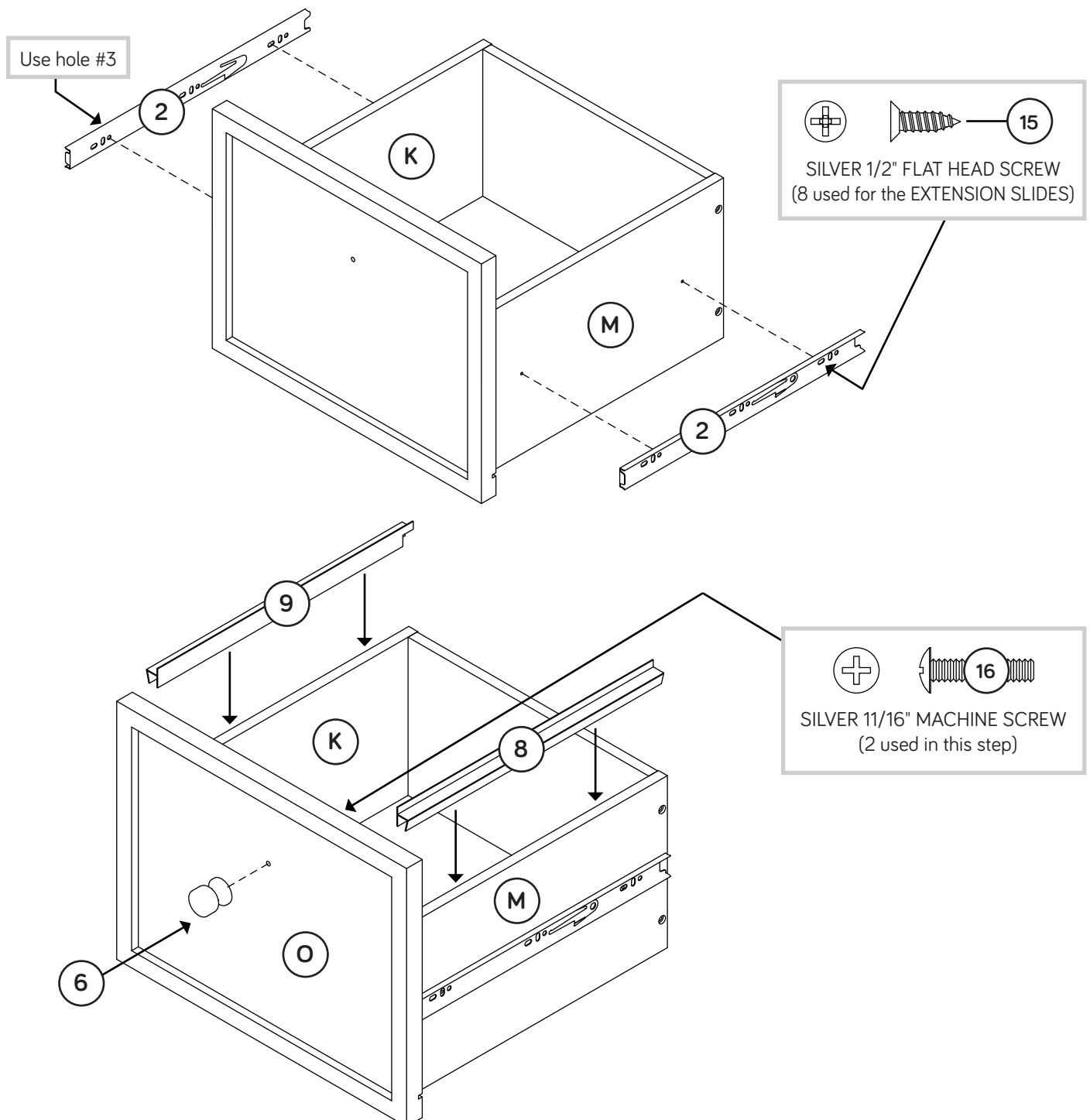
Fasten a DRAWER BACK (L) to the DRAWER SIDES (K and M). Use four BLACK 1-3/16" FLAT HEAD SCREWS (11).

NOTE: Be sure the DRAWER BOTTOM (N) inserts into the groove of the DRAWER BACK (L).

Repeat this step for the other drawer.

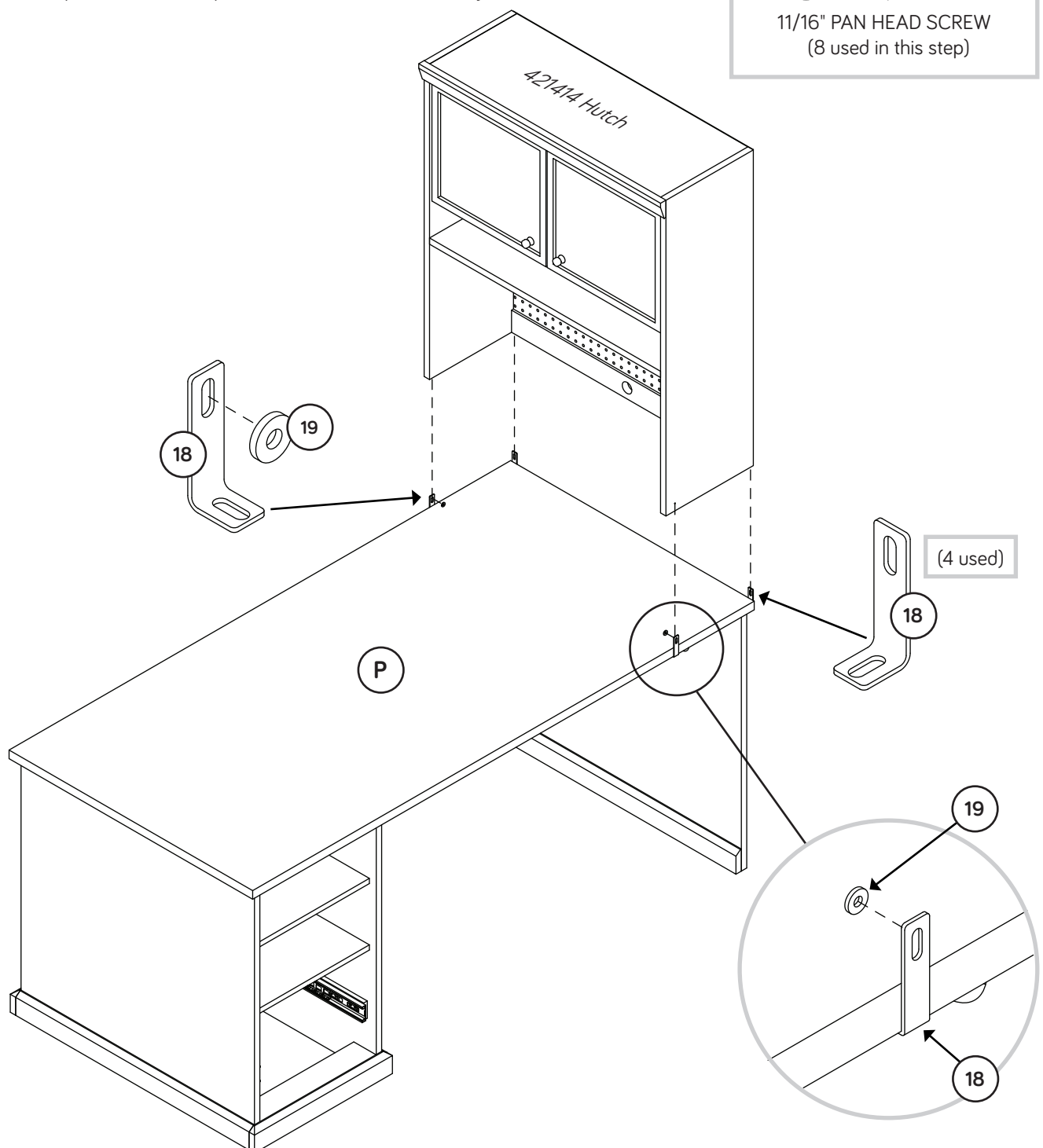
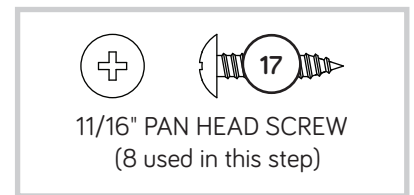
Step 13

- Fasten two EXTENSION SLIDES (2) to the DRAWER SIDES (K and M). Use four SILVER 1/2" FLAT HEAD SCREWS (15).
- Push a LEFT FILE GLIDE (9) onto the top edge of a LEFT DRAWER SIDE (K) and a RIGHT FILE GLIDE (8) onto the top edge of the RIGHT DRAWER SIDE (M).
- Fasten a KNOB (6) to the DRAWER FRONT (O). Use a SILVER 11/16" MACHINE SCREW (16).
- Repeat this step for the other drawer.
- You have the option to fasten the 421414 Hutch or 421416 Organizer Hutch to your unit. If you purchased the 421414 Hutch, go to the next step. If you purchased the 421416 Organizer Hutch, go to Step 15 now. To complete the Craft Table assembly without Hutch attachment, go to Step 16 now.



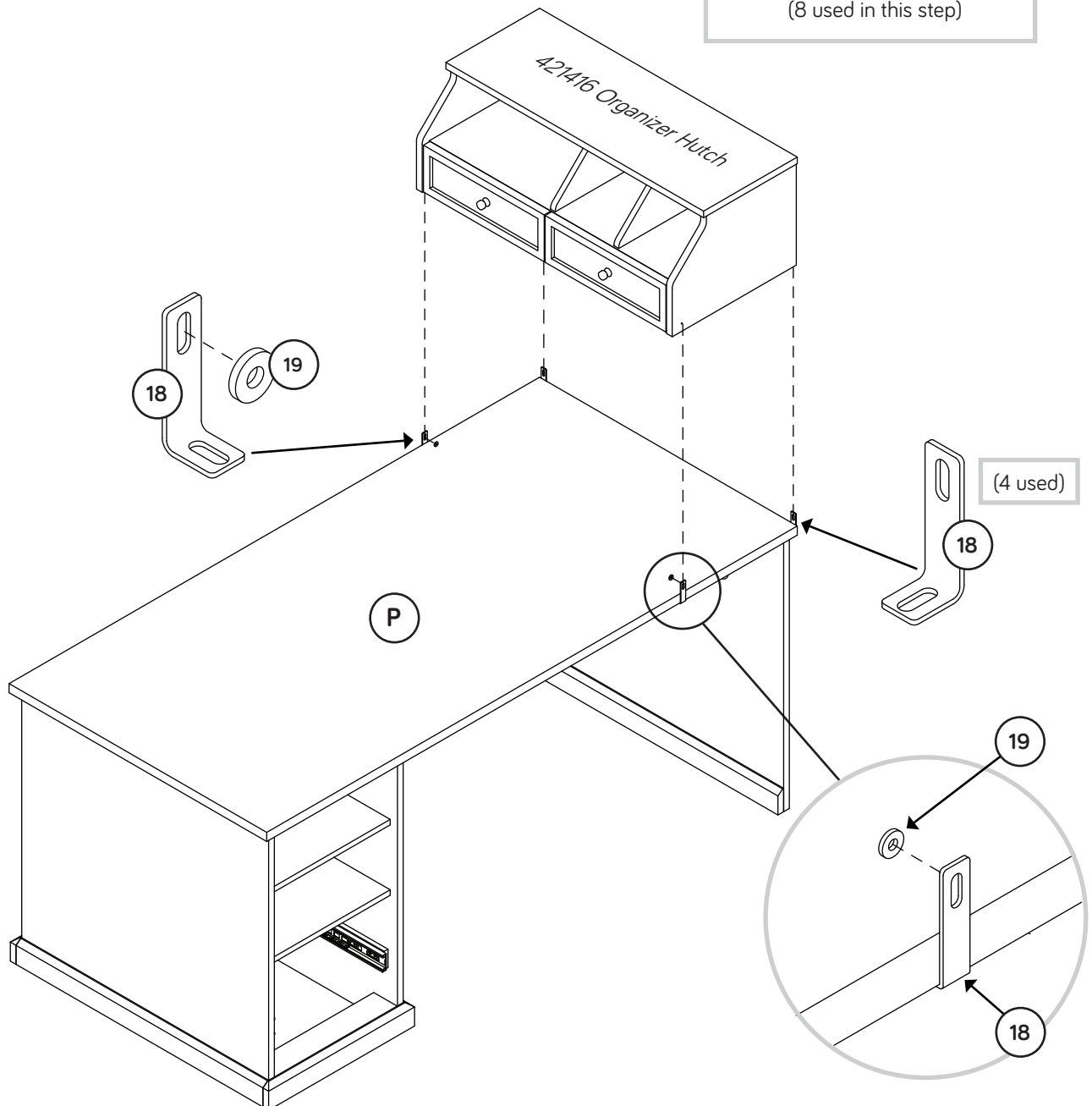
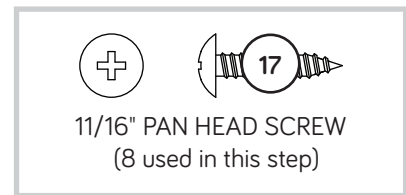
Step 14

- ✚ With someone's help, carefully set the 421414 Hutch on to the TOP (P).
- ✚ Fasten four METAL BRACKETS (18) to the holes on the underside of the TOP (P). Use four 11/16" PAN HEAD SCREWS (17).
- ✚ Fasten the METAL BRACKETS on the TOP (P) to the 421414 Hutch. Use two WASHERS (19) and four 11/16" PAN HEAD SCREWS (17).
- ✚ Go to Step 16 now to complete the Craft Table assembly.



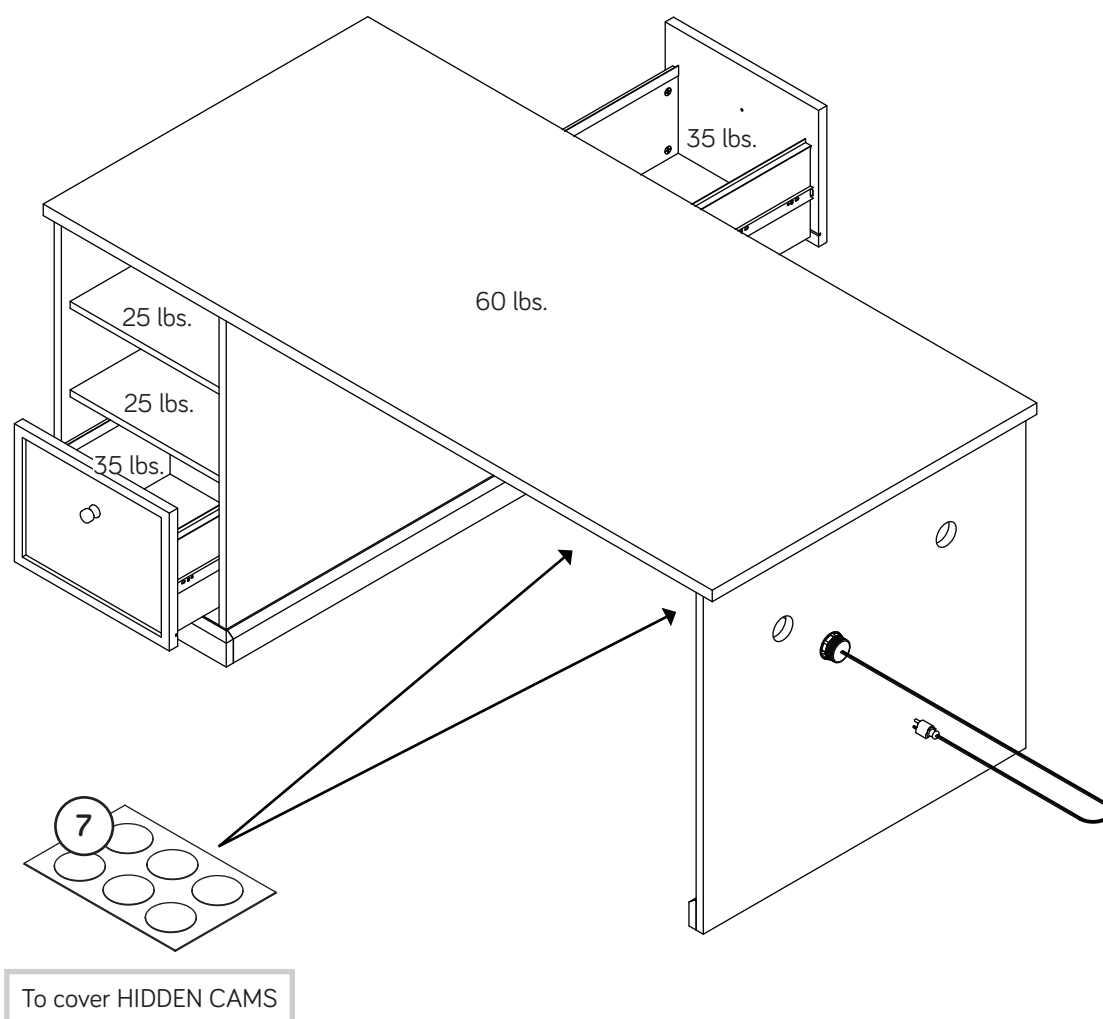
Step 15

- ✚ With someone's help, carefully set the 421416 Organizer Hutch on to the TOP (P).
- ✚ Fasten four METAL BRACKETS (18) to the holes on the underside of the TOP (P). Use four 11/16" PAN HEAD SCREWS (17).
- ✚ Fasten the METAL BRACKETS on the TOP (P) to the 421416 Organizer Hutch. Use two WASHERS (19) and four 11/16" PAN HEAD SCREWS (17).
- ✚ Go to the next step to complete the Craft Table assembly.



Step 16

- ✚ Peel a CAM COVER from the CAM COVER CARD (7) and stick one onto each visible HIDDEN CAM.
- ✚ To insert the drawers into your unit, line up the EXTENSION SLIDES on the drawers with the EXTENSION RAILS on the unit and push the drawers into the unit until they are fully inserted. The drawers will push in hard until it is all the way in, then it will slide in and out easier.
- ✚ **NOTE:** Please read the back pages of the instruction booklet for important safety information.
- ✚ This completes assembly. Clean with your favorite furniture polish or a damp cloth. Wipe dry.



⚠ WARNING

Please use your furniture correctly and safely. Improper use can cause safety hazards, or damage to your furniture or household items. ***Carefully read the following chart.***

Look out for:	What can happen:	How to avoid the problem:
<ul style="list-style-type: none">• Overloaded shelves or drawers.• Improper loading can cause the product to be top-heavy.	<ul style="list-style-type: none">• Risk of injury.• Top-heavy furniture can tip over.• Overloaded shelves and drawers can break.	<ul style="list-style-type: none">• Never exceed the weight limits shown in the instructions.• Work from bottom to top when loading shelves and drawers. Place the heavier items on the lower shelves or in lower drawers.
<ul style="list-style-type: none">• Improperly moving furniture that is not designed and equipped with casters.	<ul style="list-style-type: none">• Furniture can tip over or break if improperly moved.• Physical injury. Furniture can be very heavy.• Breakage of tops - particularly with double pedestal furniture (drawers at both ends).	<ul style="list-style-type: none">• Unload shelves and drawers from top to bottom before moving the unit.• Do not push furniture, especially on a carpeted floor. Have a friend help you lift the item and set it in place.• Provide support to the center section of the top when lifting the furniture.
<ul style="list-style-type: none">• Placing TVs on furniture items that are not designed to support a television is hazardous.	<ul style="list-style-type: none">• Risk of injury or death. TVs can be very heavy. Plus the weight and location of the picture tube tends to make TVs unbalanced and prone to tipping forward.	<ul style="list-style-type: none">• This product is not designed to support a television.