

Knick-knack
paddywhack,
give your **stuff** a home.

Organizer Hutch

Craft Collection | Model 5421416

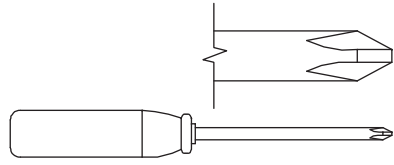
NOTE: THIS INSTRUCTION BOOKLET CONTAINS **IMPORTANT** SAFETY INFORMATION.

PLEASE READ AND KEEP FOR FUTURE REFERENCE.

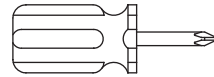
Table of Contents

Assembly Tools Required

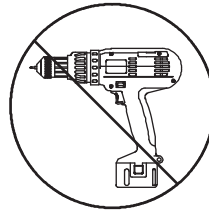
Part Identification	3
Hardware Identification	4
Assembly Steps	5-19
Français	20-22
Español	23-25
Safety	26
Warranty	27



No. 2 Phillips Screwdriver
Tip Shown Actual Size



Short Screwdriver



Skip the power trip.
This time.

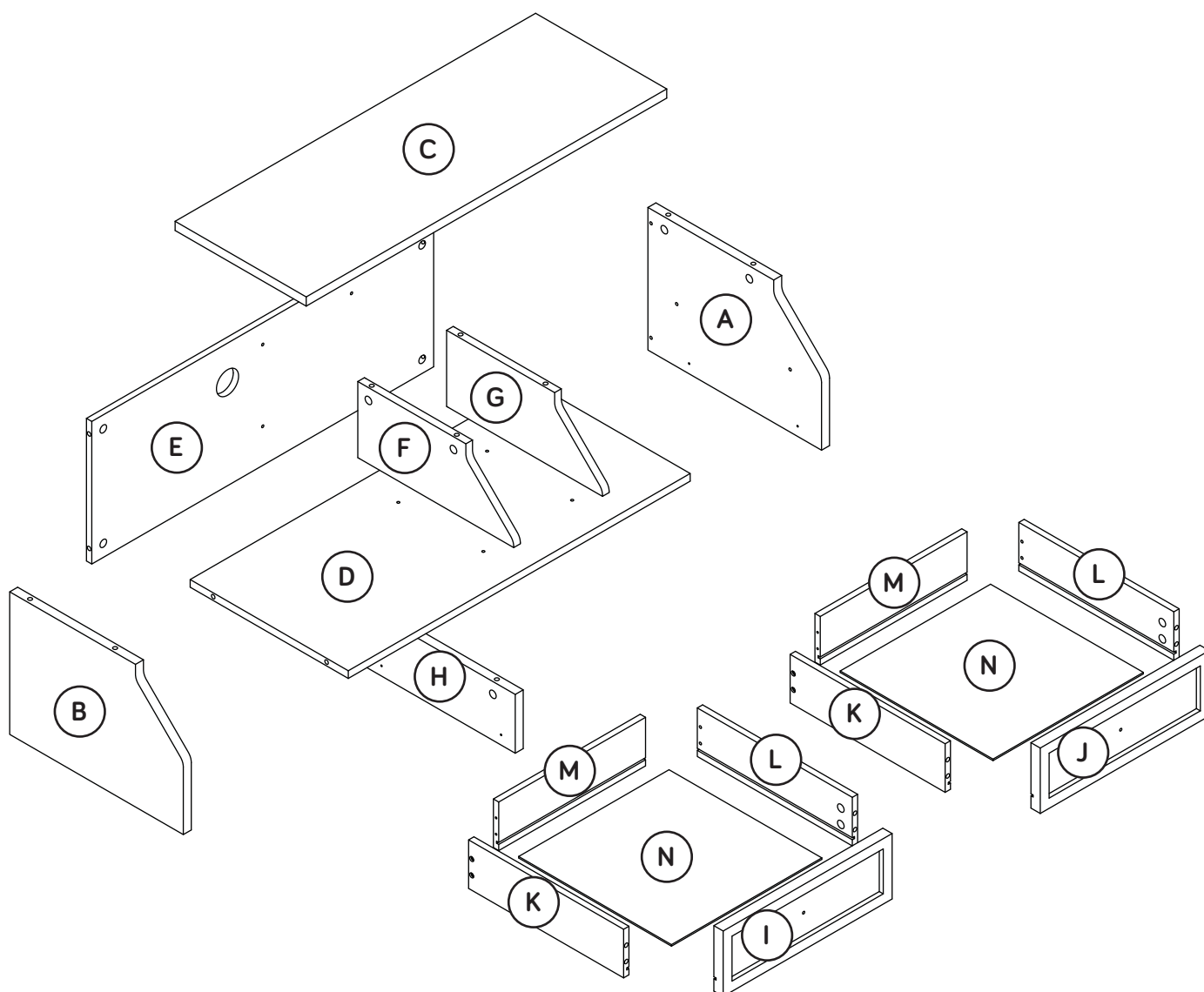
Part Identification

Now you know
our ABCs.



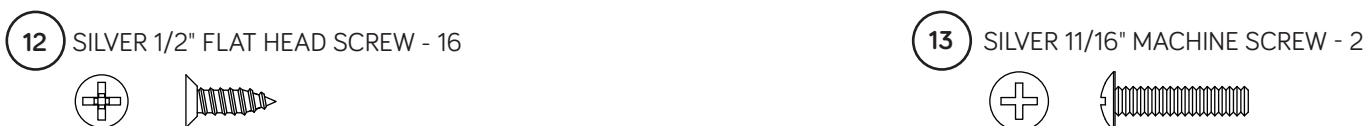
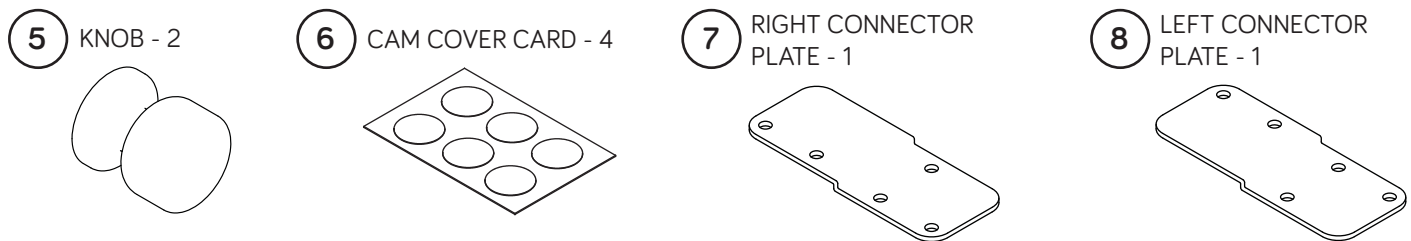
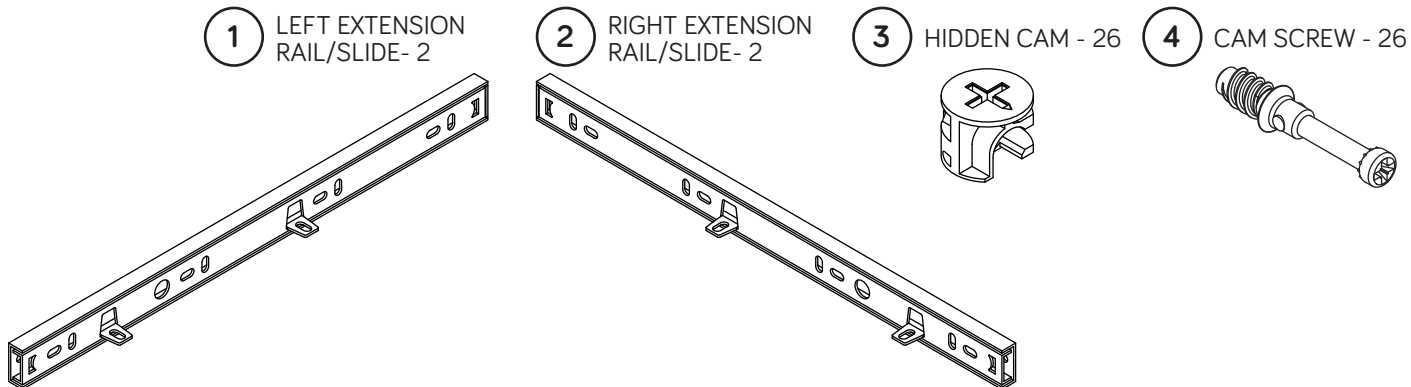
↑ While not all parts are labeled, some of the parts will have a label or an inked letter on the edge to help distinguish similar parts from each other. Use this part identification to help identify similar parts.

A	RIGHT END (1)	F	LEFT UPRIGHT (1)	K	LEFT DRAWER SIDE (2)
B	LEFT END (1)	G	RIGHT UPRIGHT (1)	L	RIGHT DRAWER SIDE (2)
C	TOP (1)	H	DIVIDER (1)	M	DRAWER BACK (2)
D	SHELF (1)	I	LEFT DRAWER FRONT (1)	N	DRAWER BOTTOM (2)
E	BACK (1)	J	RIGHT DRAWER FRONT (1)		



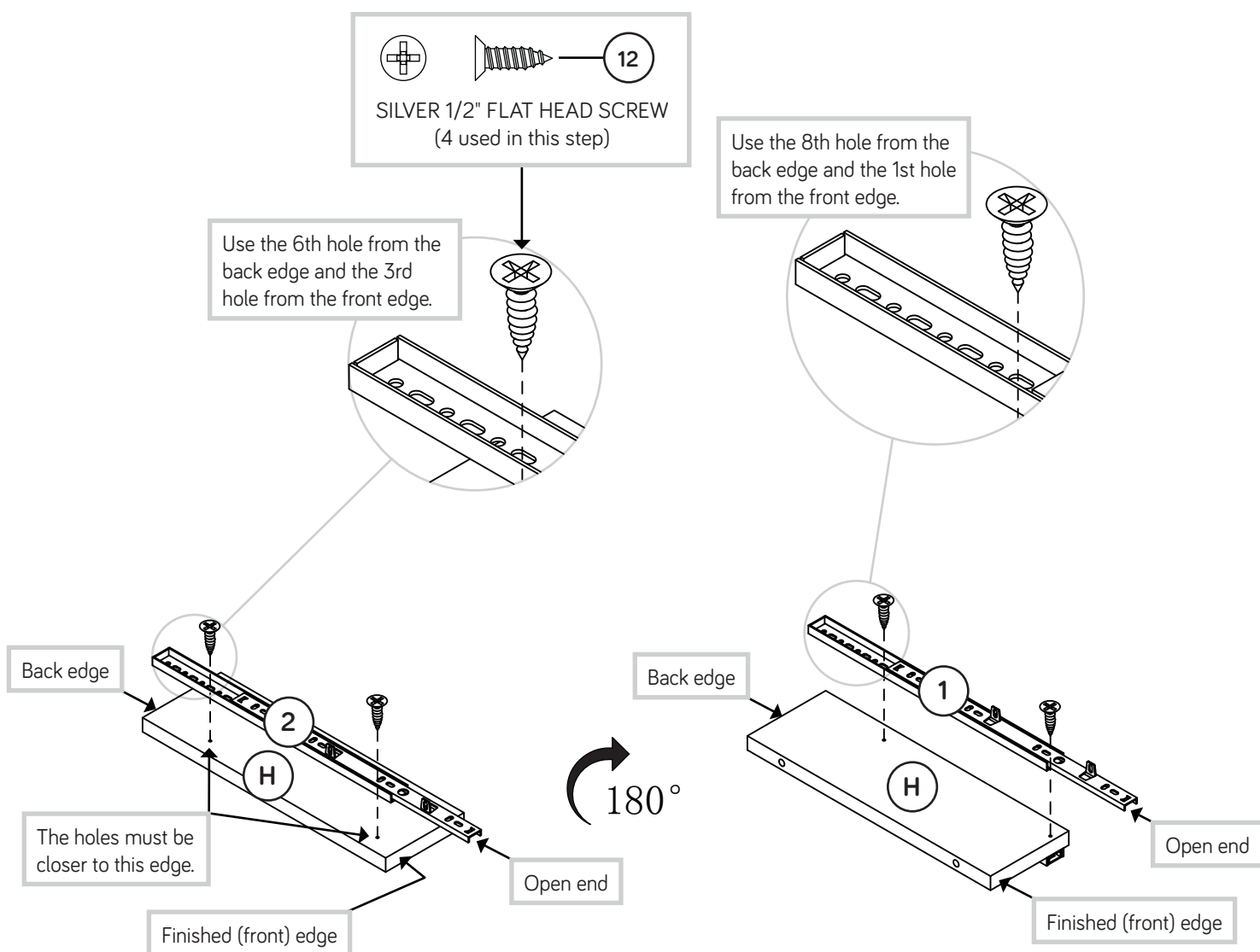
Hardware Identification

† Screws are shown actual size. You may receive extra hardware with your unit.



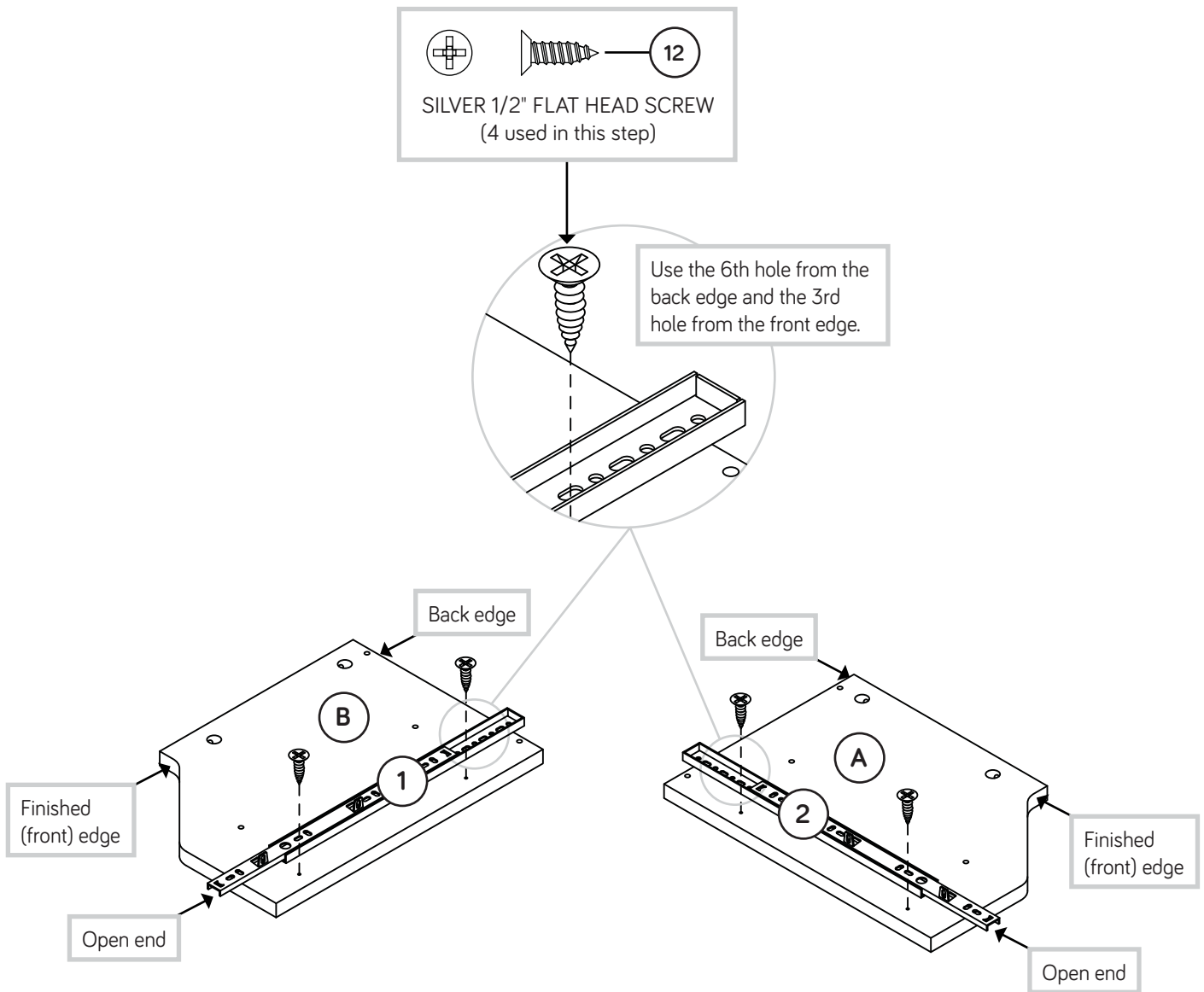
Step 1

- ✚ Assemble your unit on a carpeted floor or on the empty carton to avoid scratching your unit or the floor.
- ✚ Fasten a RIGHT EXTENSION RAIL/SLIDE (2) to the DIVIDER (H) as shown in the left diagram. Use two SILVER 1/2" FLAT HEAD SCREWS (12).
- ✚ Turn over the DIVIDER (H) and fasten a LEFT EXTENSION RAIL/SLIDE (1) to the DIVIDER as shown in the right diagram. Use two SILVER 1/2" FLAT HEAD SCREWS (12).



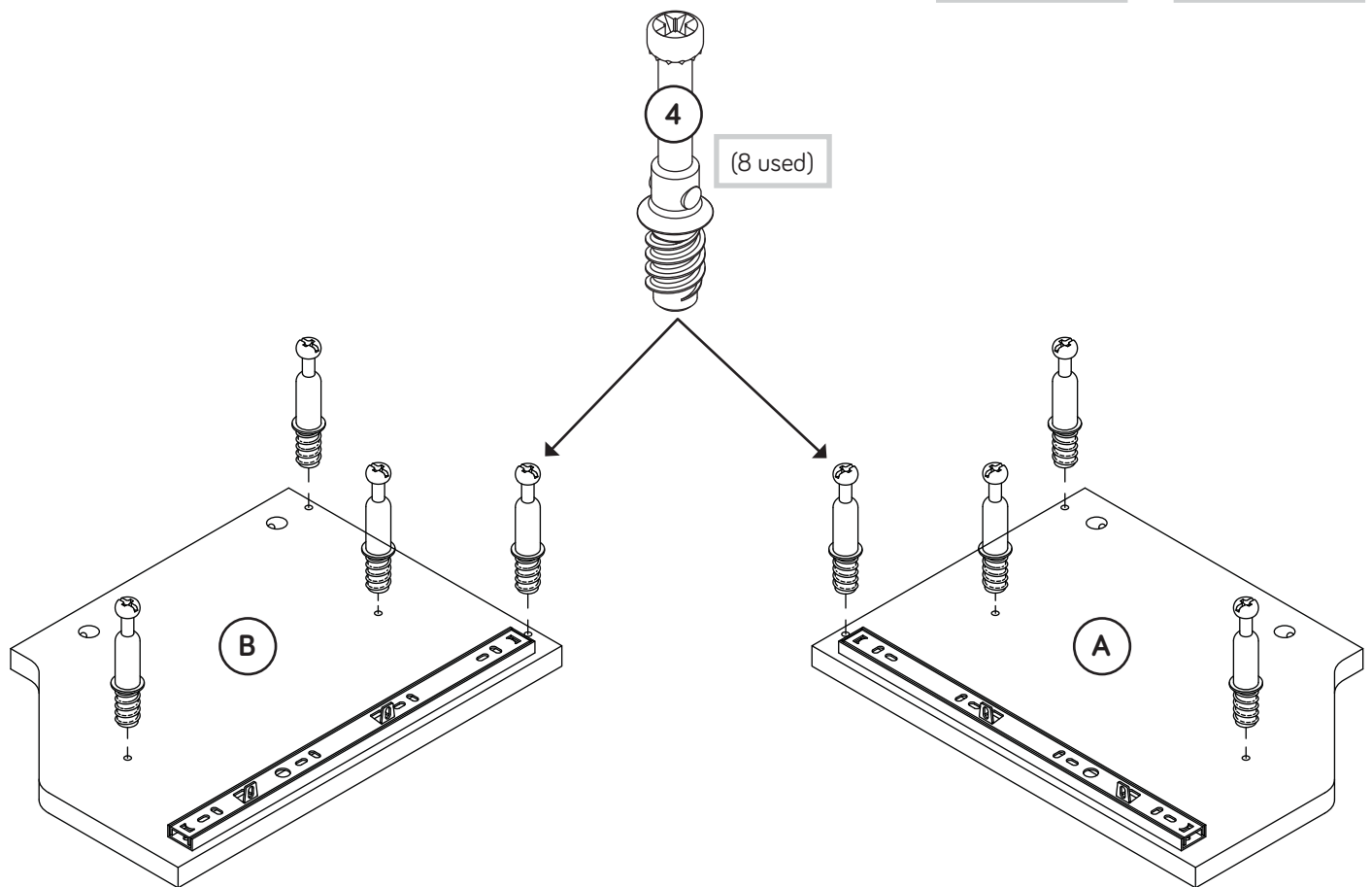
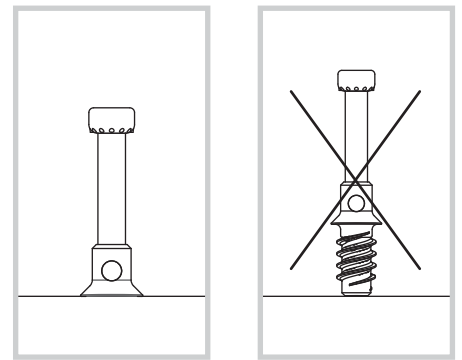
Step 2

- Fasten the remaining LEFT EXTENSION RAIL/SLIDE (1) to the LEFT END (B) as shown in the left diagram. Use two SILVER 1/2" FLAT HEAD SCREWS (12).
- Fasten the remaining RIGHT EXTENSION RAIL/SLIDE (2) to the RIGHT END (A) as shown in the right diagram. Use two SILVER 1/2" FLAT HEAD SCREWS (12).



Step 3

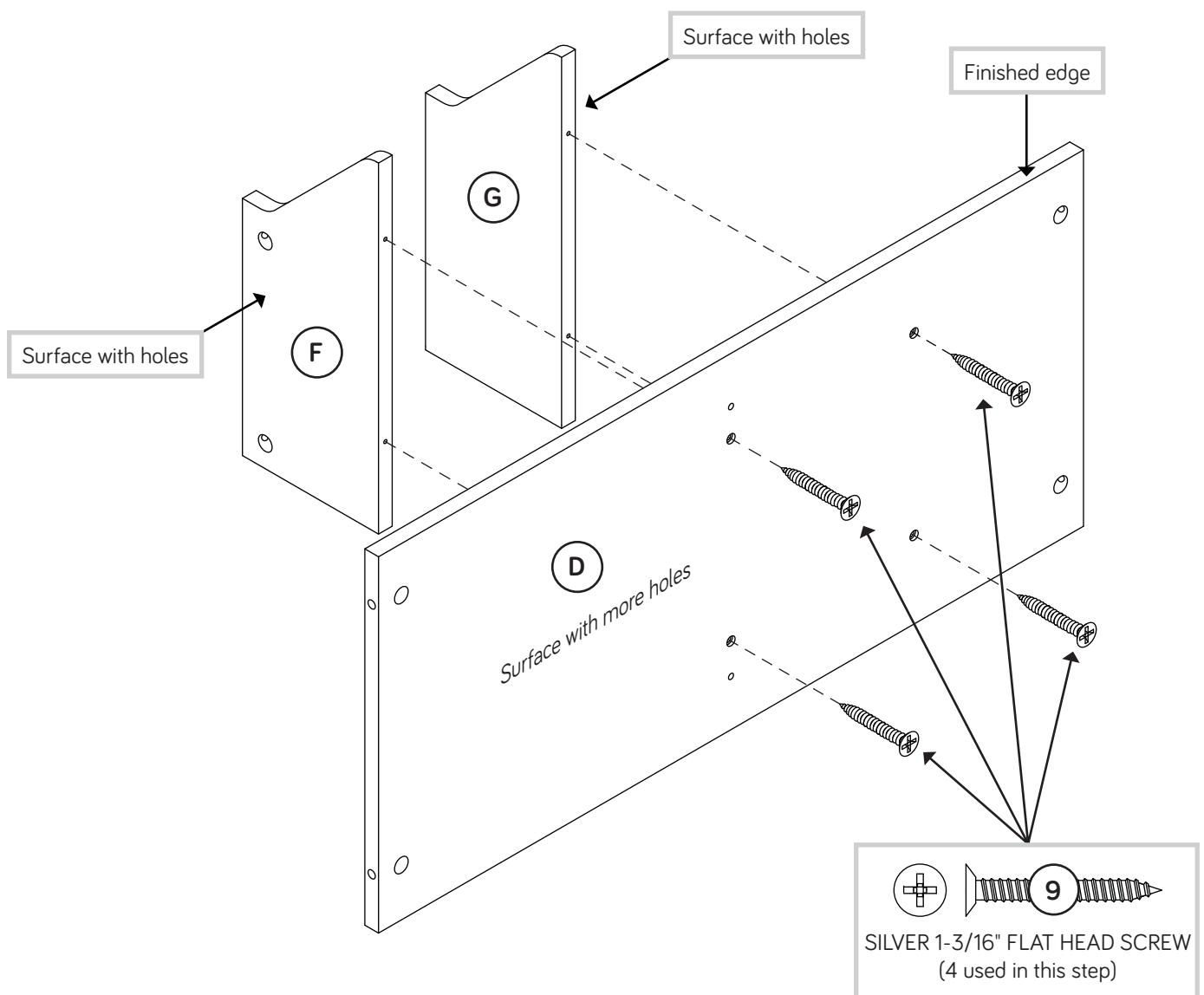
Turn eight CAM SCREWS (4) into the ENDS (A and B).



Step 4

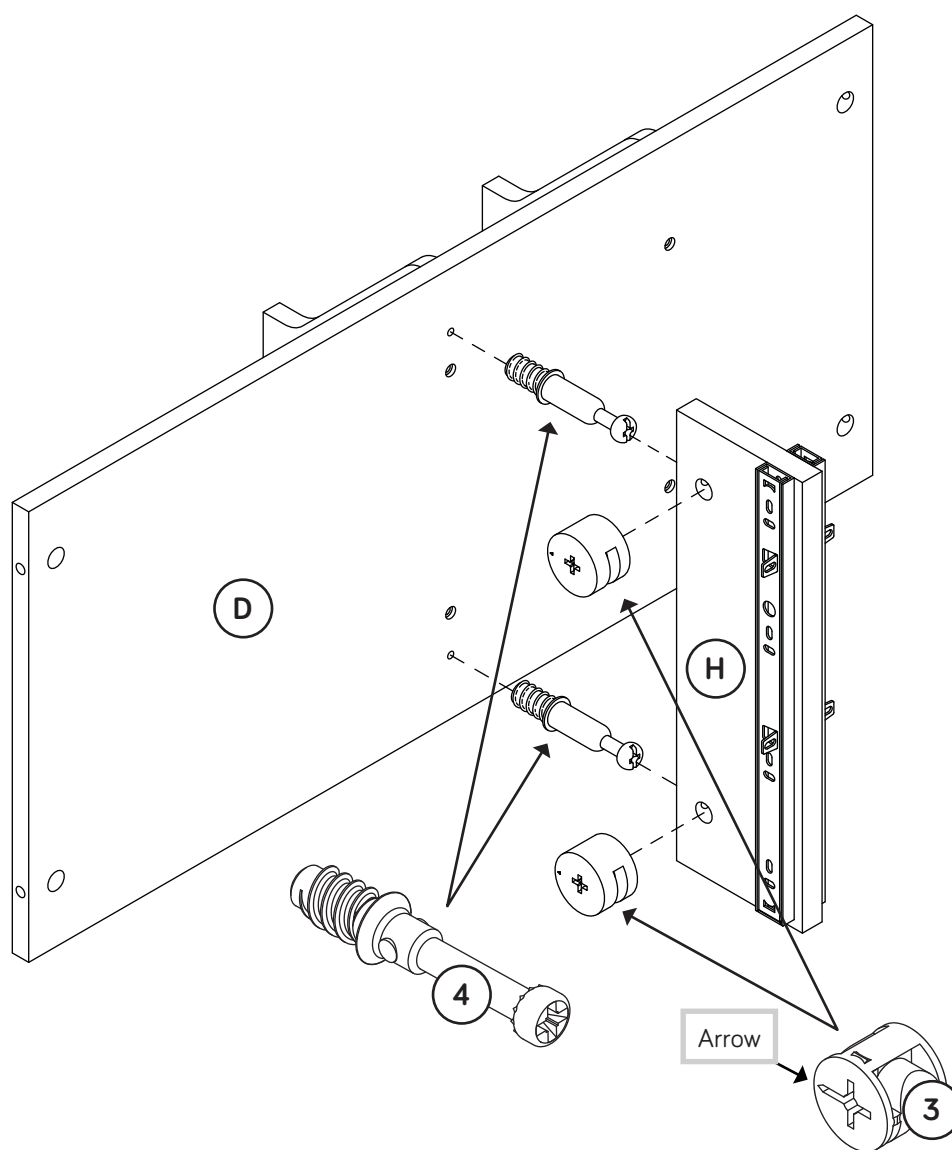
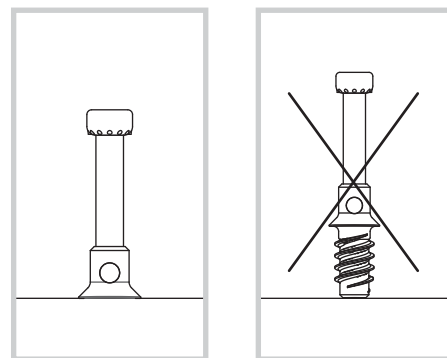
Fasten the UPRIGHTS (F and G) to the SHELF (D).
Use four SILVER 1-3/16" FLAT HEAD SCREWS (9).

NOTE: You should start each SCREW a few turns before completely tightening any of them.



Step 5

- Push two HIDDEN CAMS (3) into the DIVIDER (H).
- Turn two CAM SCREWS (4) into the SHELF (D).
- Fasten the DIVIDER (H) to the SHELF (D). Tighten two HIDDEN CAMS.

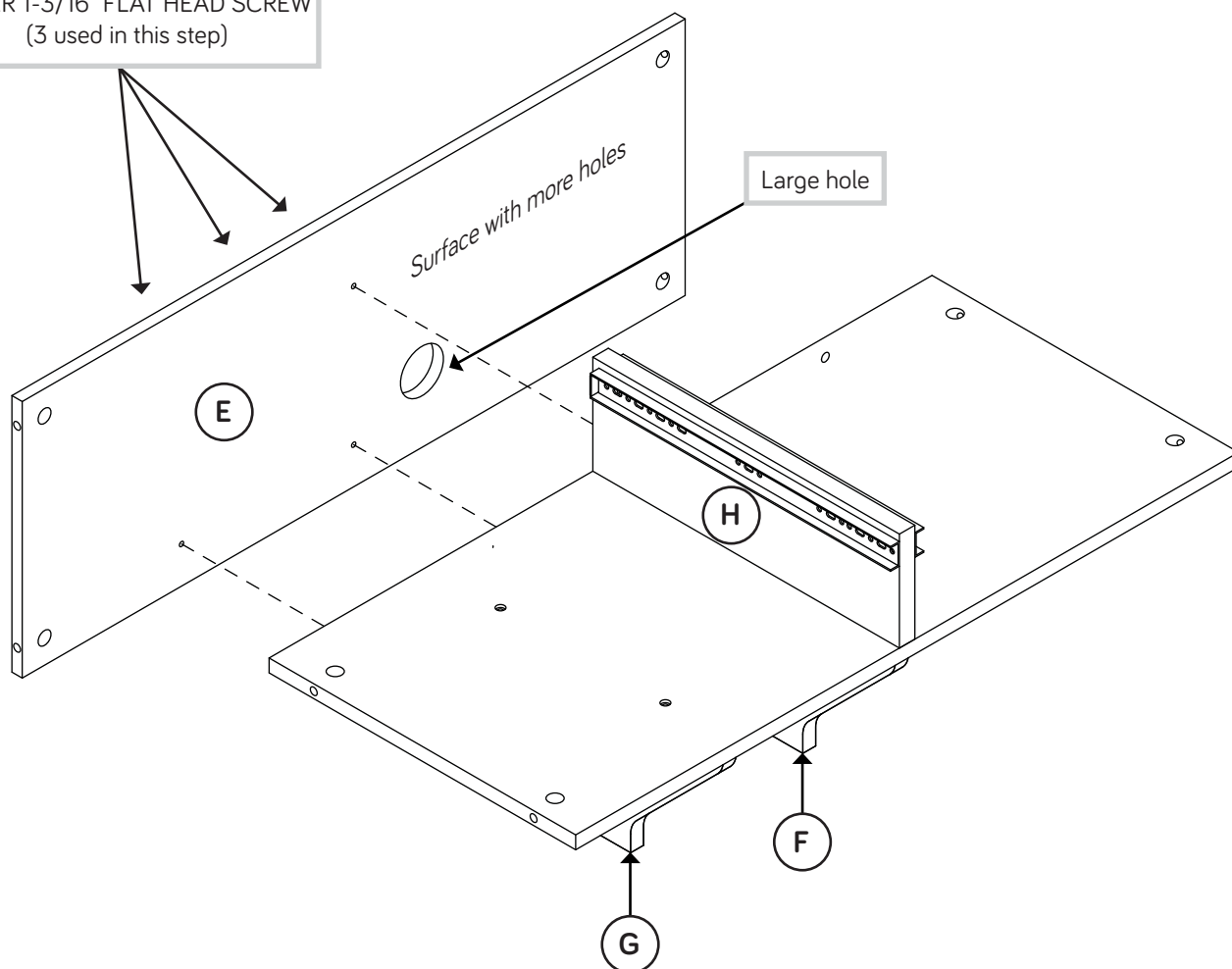
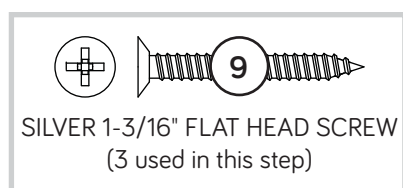


Arrow

The arrow in the HIDDEN CAM must point toward the hole in the edge of the board.

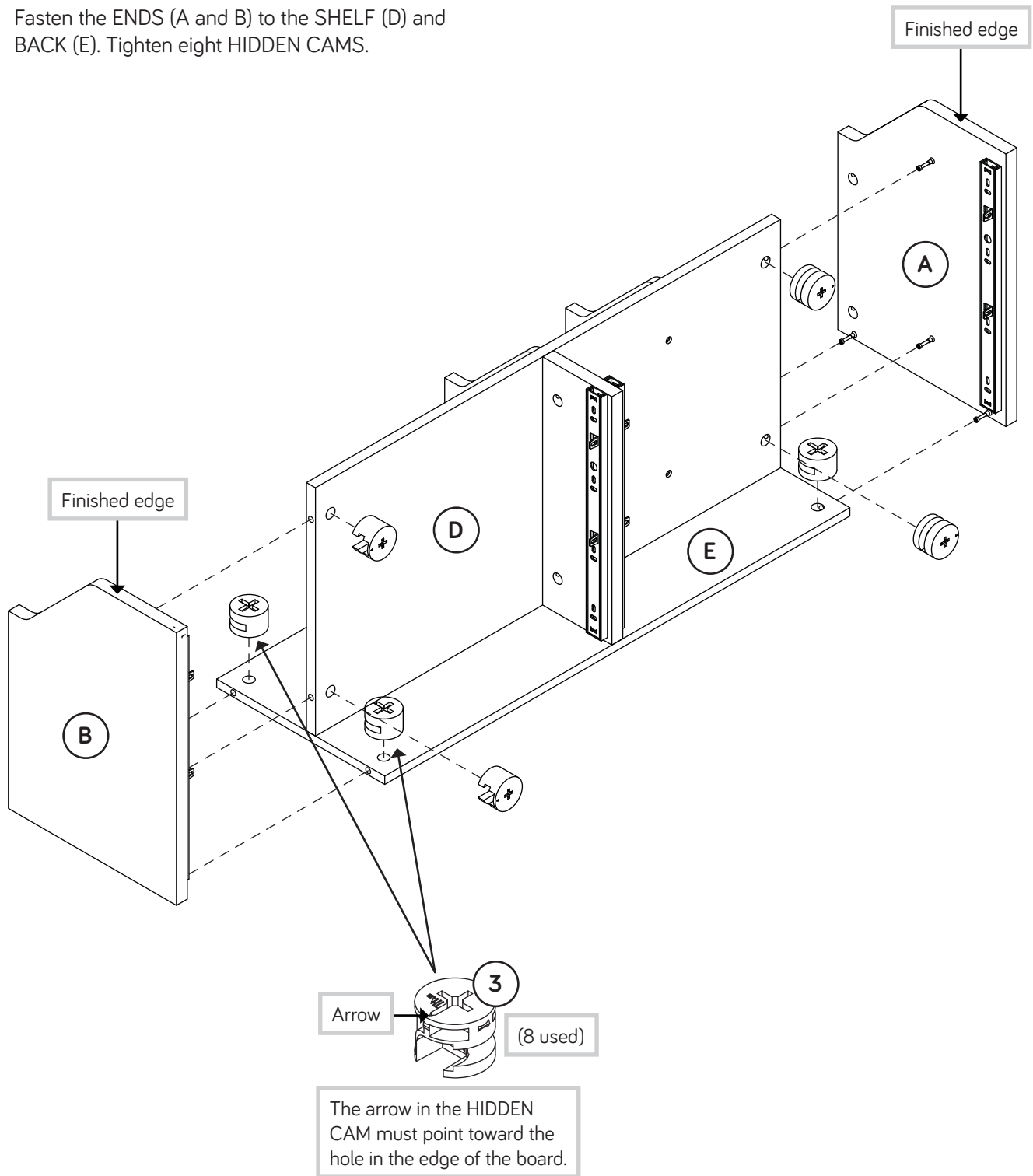
Step 6

- ✚ Position the UPRIGHTS (F and G) as shown.
- ✚ Fasten the BACK (E) to the UPRIGHTS (F and G) and DIVIDER (H). Use three SILVER 1-3/16" FLAT HEAD SCREWS (9).
- ✚ **NOTE:** You should start each SCREW a few turns before completely tightening any of them.



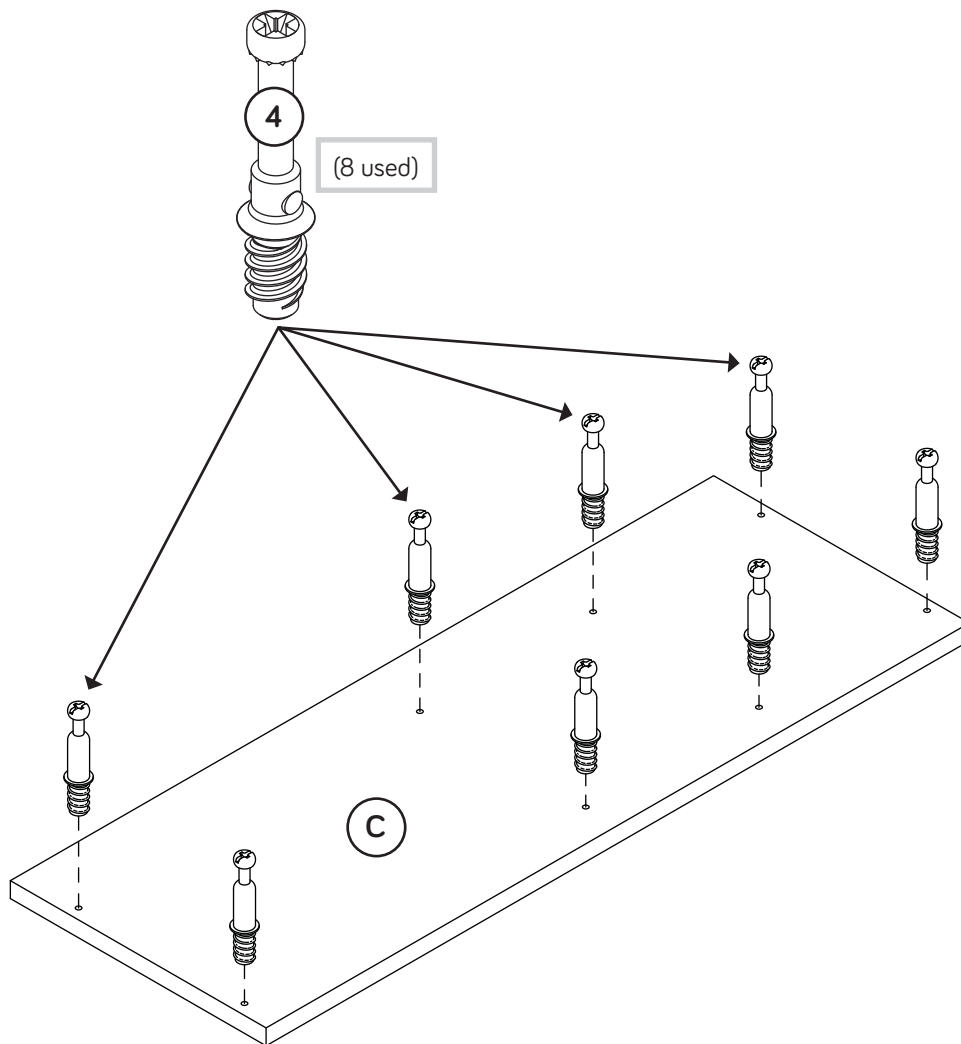
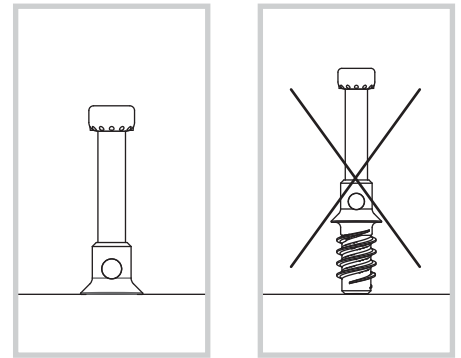
Step 7

- 🔩 Lay the unit on the BACK (E).
- 🔩 Push eight HIDDEN CAMS (3) into the SHELF (D) and BACK (E).
- 🔩 Fasten the ENDS (A and B) to the SHELF (D) and BACK (E). Tighten eight HIDDEN CAMS.



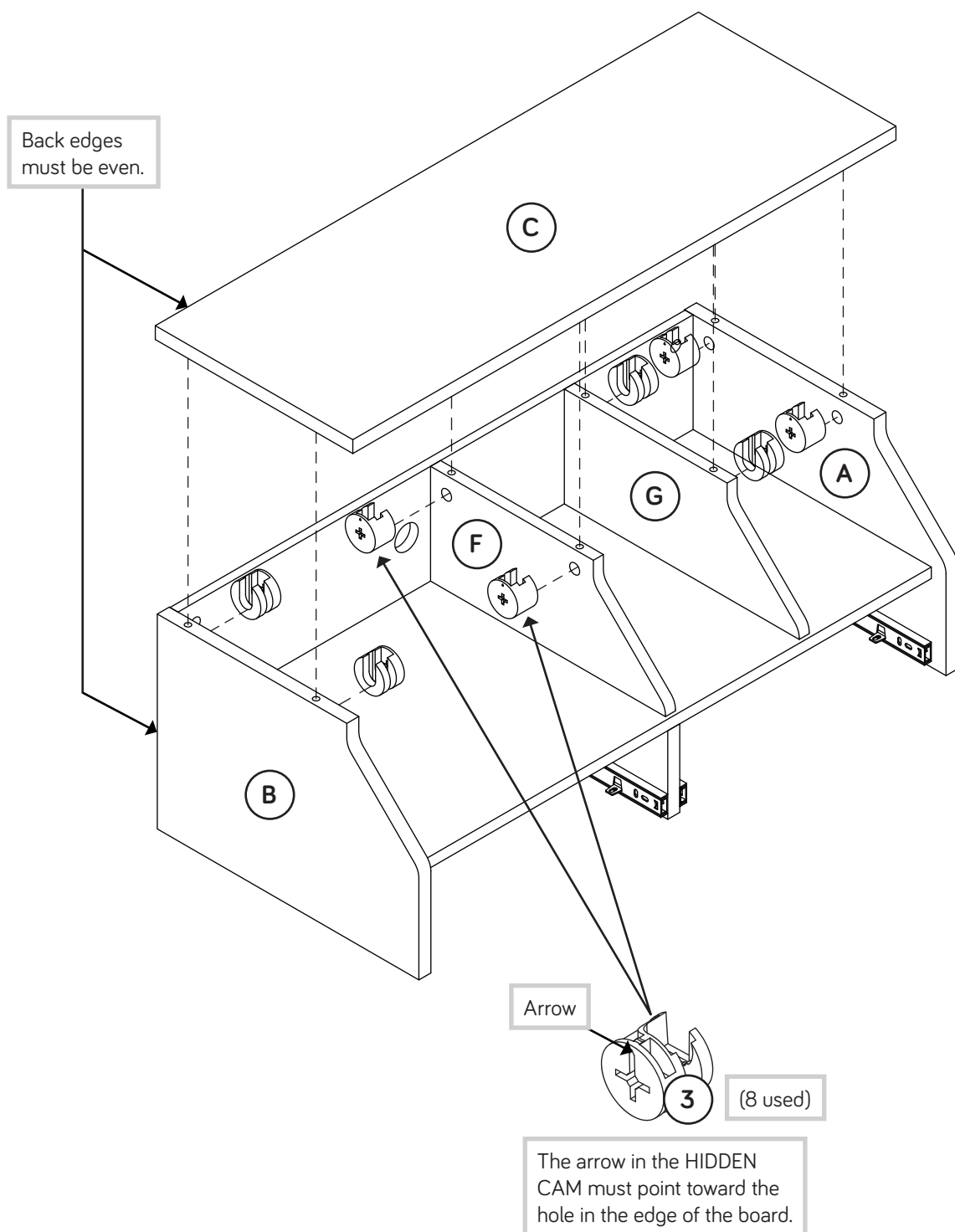
Step 8

Turn eight CAM SCREWS (4) into the TOP (C).



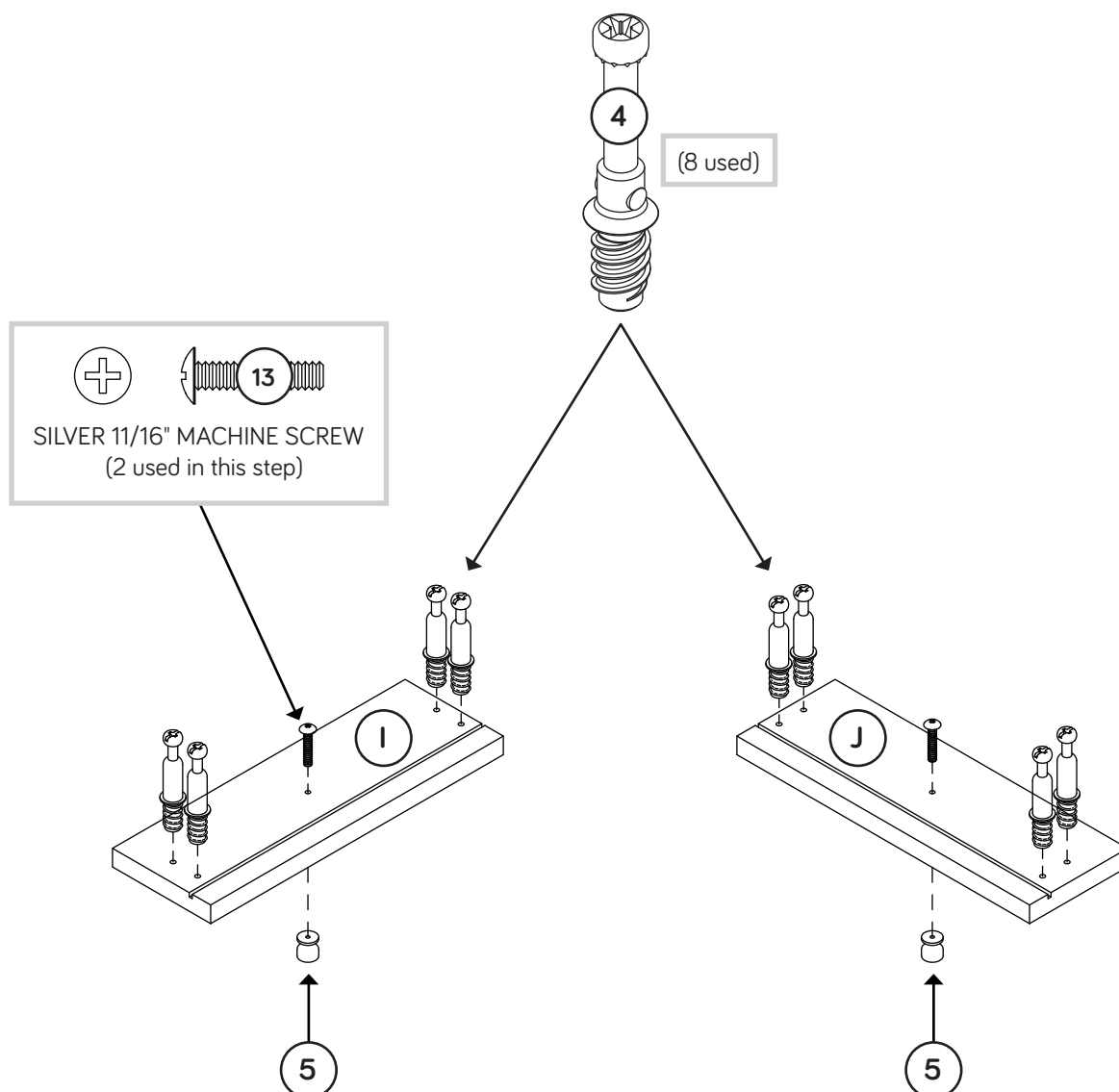
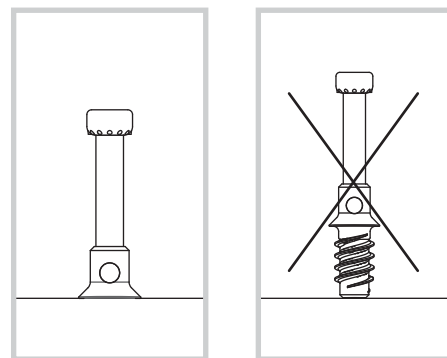
Step 9

- ✚ Push eight HIDDEN CAMS (3) into the ENDS (A and B) and UPRIGHTS (F and G).
- ✚ Fasten the TOP (C) to the ENDS (A and B) and UPRIGHTS (F and G). Tighten eight HIDDEN CAMS using your SHORT SCREWDRIVER.



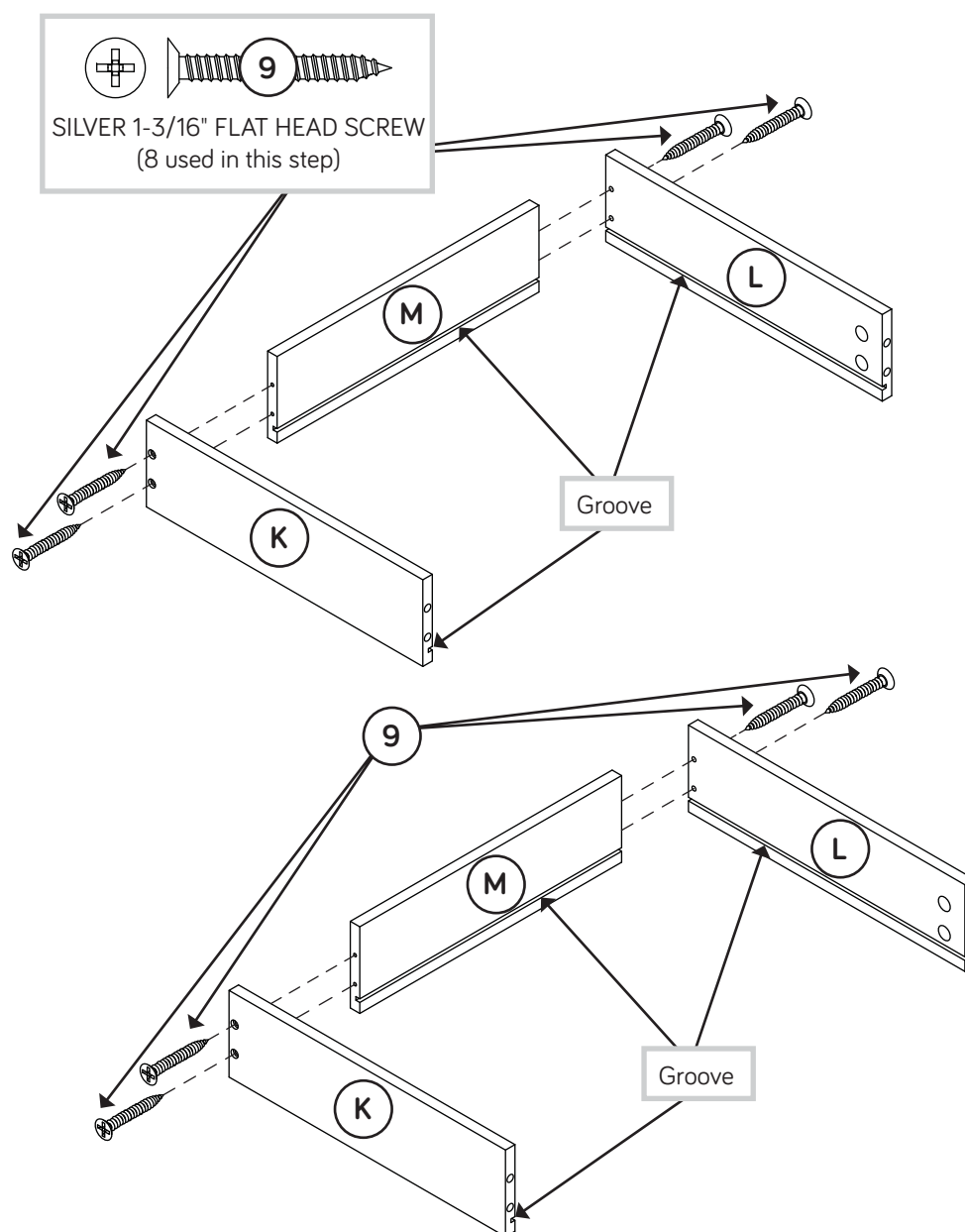
Step 10

- Turn eight CAM SCREWS (4) into the DRAWER FRONTS (I and J).
- Fasten a KNOB (5) to each DRAWER FRONT (I and J). Use two SILVER 11/16" MACHINE SCREWS (13).



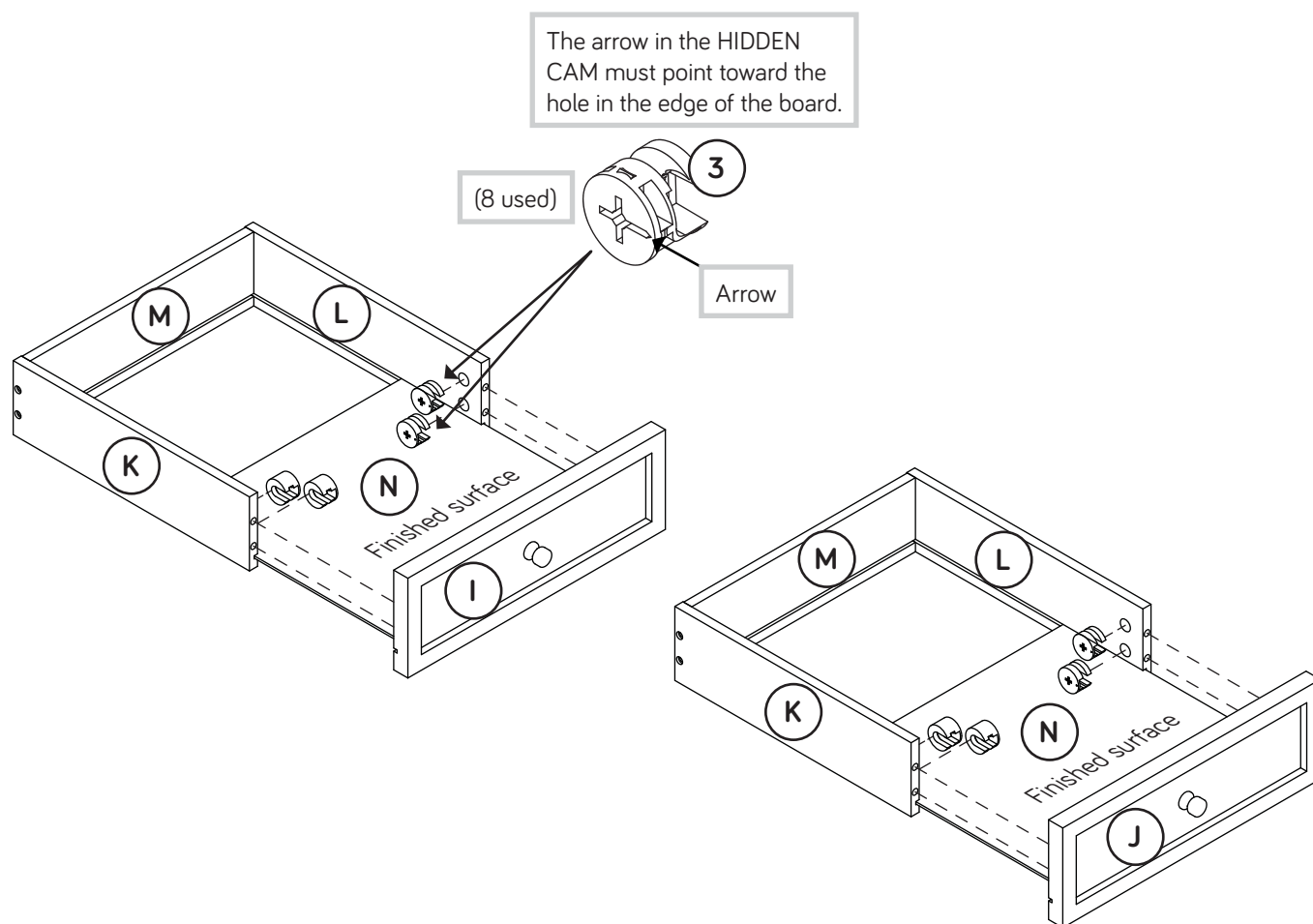
Step 11

- Fasten the DRAWER SIDES (K and L) to the DRAWER BACKS (M). Use eight SILVER 1-3/16" FLAT HEAD SCREWS (9).



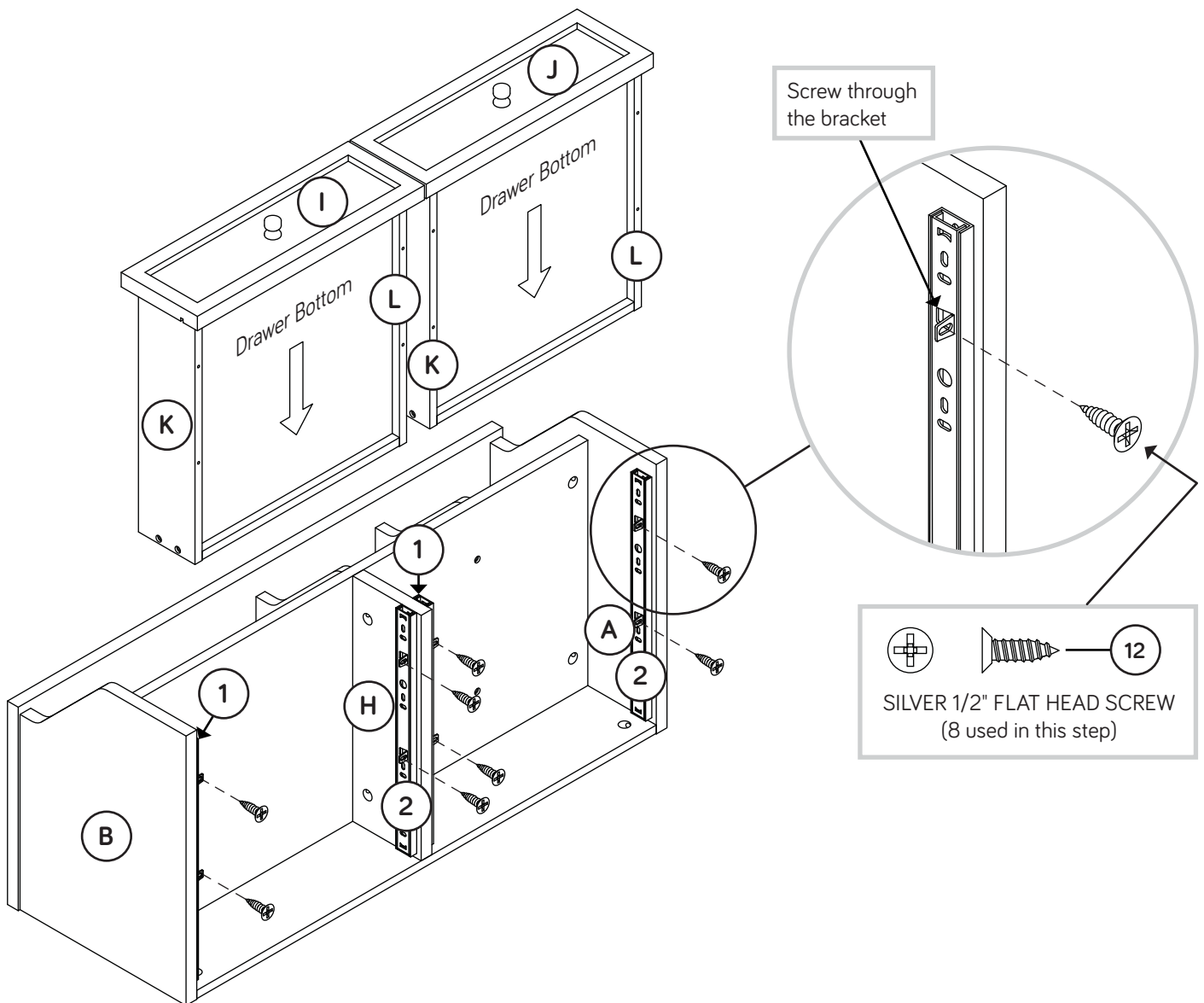
Step 12

- ✚ Push eight HIDDEN CAMS (3) into the DRAWER SIDES (K and L).
- ✚ Slide the DRAWER BOTTOMS (N) into the grooves in the DRAWER SIDES (K and L) and DRAWER BACKS (M).
- ✚ Fasten the DRAWER FRONTS (I and J) to the DRAWER SIDES (K and L). Tighten eight HIDDEN CAMS.
- ✚ **NOTE:** Be sure the DRAWER BOTTOM inserts into the DRAWER FRONT groove.



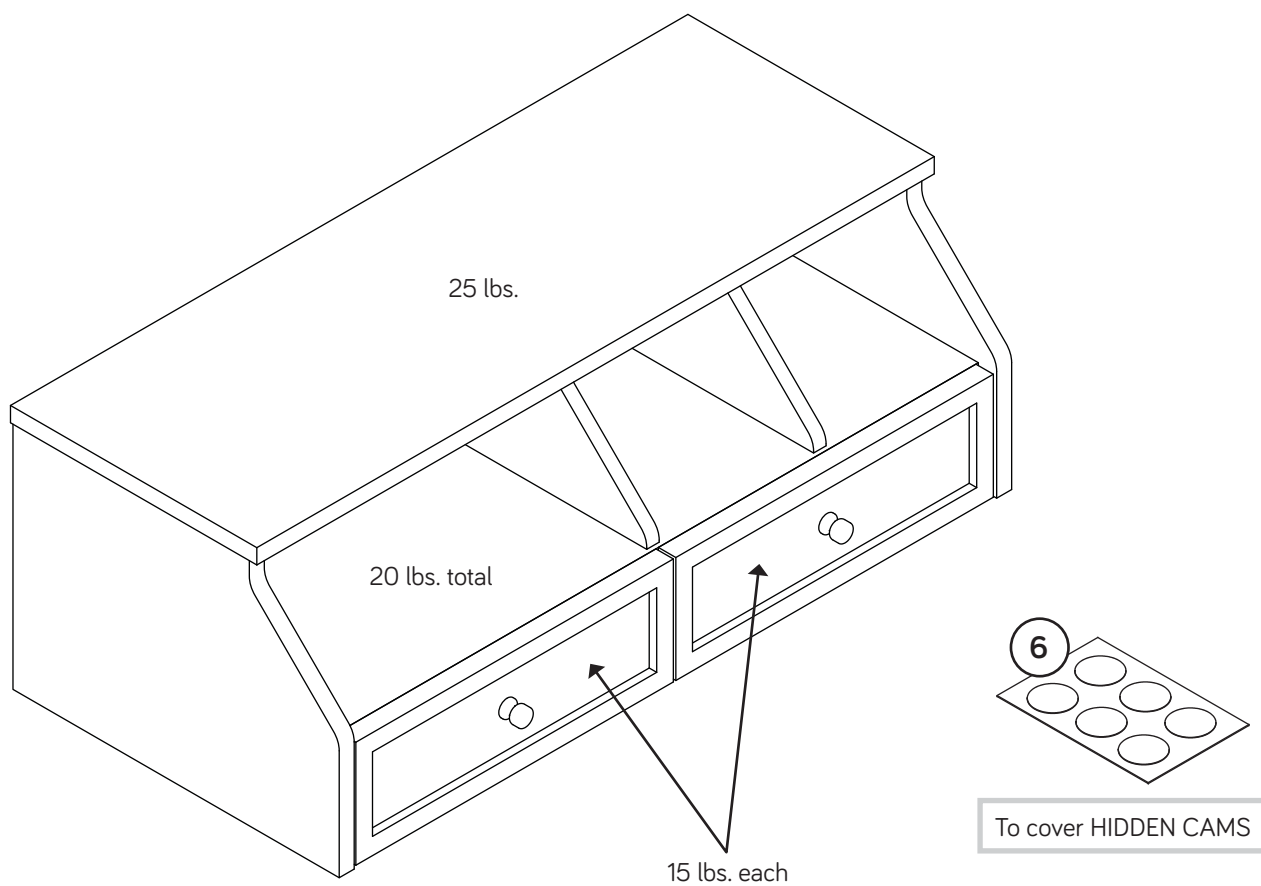
Step 13

- ✚ Carefully turn your unit onto its back edges.
- ✚ Slide the DRAWERS between the ENDS (A and B) and DIVIDER (H) as shown below.
- ✚ **NOTE:** Be sure the DRAWERS are positioned as shown below.
- ✚ Fasten the EXTENSION RAILS/SLIDES (1 and 2) to the DRAWER SIDES (K and L). Use eight SILVER 1/2" FLAT HEAD SCREWS (12).



Step 14

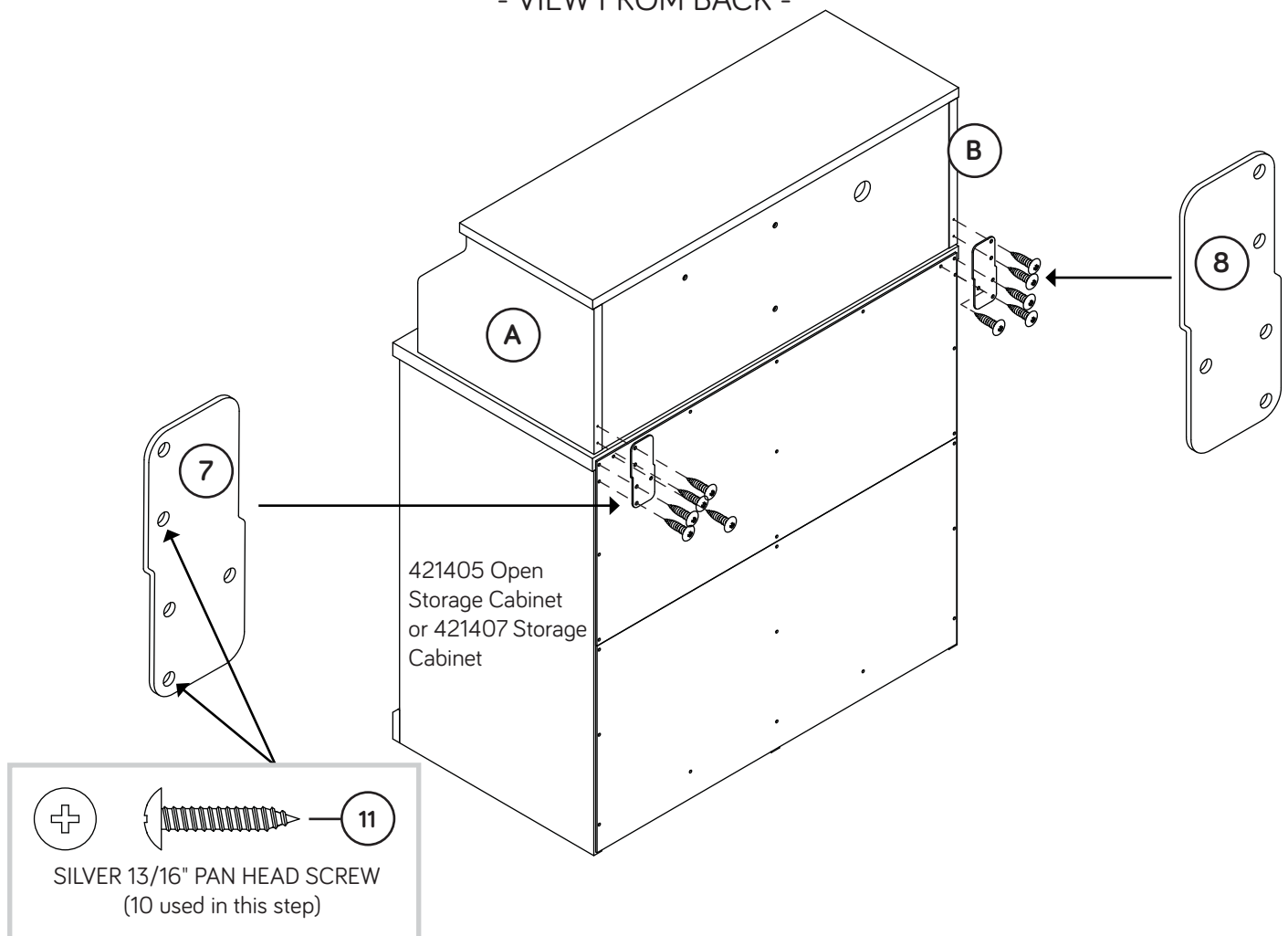
- ✚ Carefully stand your unit upright.
- ✚ Peel CAM COVERS from the CAM COVER CARDS (6) and stick them onto the visible HIDDEN CAMS.



Step 15

- ✚ This Hutch is designed to attach to the 421405 Open Storage Cabinet and 421407 Storage Cabinet.
- ✚ Carefully set your Hutch on top of the unit you are fastening it to.
- ✚ Fasten the CONNECTOR PLATES (7 and 8) to the Hutch ENDS (A and B) and then to the top and ends of the Storage Cabinets. Use ten SILVER 13/16" PAN HEAD SCREWS (11).
- ✚ **NOTE:** Please read the back pages of the instruction booklet for important safety information.
- ✚ This completes assembly. Clean with your favorite furniture polish or a damp cloth. Wipe dry.

- VIEW FROM BACK -



⚠ WARNING

Please use your furniture correctly and safely. Improper use can cause safety hazards, or damage to your furniture or household items. ***Carefully read the following chart.***

Look out for:	What can happen:	How to avoid the problem:
<ul style="list-style-type: none">Overloaded shelves.	<ul style="list-style-type: none">Risk of injury.Overloaded shelves can break.	<ul style="list-style-type: none">Never exceed the weight limits shown in the instructions
<ul style="list-style-type: none">Improperly moving furniture that is not designed and equipped with casters.	<ul style="list-style-type: none">Furniture can tip over or break if improperly moved.Physical injury. Furniture can be very heavy.	<ul style="list-style-type: none">Unload shelves before moving the hutch.The hutch should be removed from the desktop before attempting to move the desk.Do not push furniture, especially on a carpeted floor. Have a friend help you lift the item and set it in place.
<ul style="list-style-type: none">Placing TVs on furniture items that are not designed to support a television is hazardous.	<ul style="list-style-type: none">Risk of injury or death. TVs can be very heavy. Plus the weight and location of the picture tube tends to make TVs unbalanced and prone to tipping forward.	<ul style="list-style-type: none">This product is not designed to support a television.