

Knick-knack
paddywhack,
give your **stuff** a home.

Storage Hutch

Craft Collection | Model 5421414

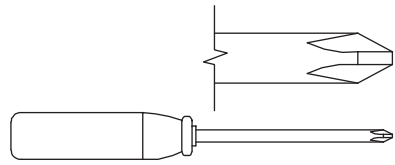
NOTE: THIS INSTRUCTION BOOKLET CONTAINS **IMPORTANT** SAFETY INFORMATION.

PLEASE READ AND KEEP FOR FUTURE REFERENCE.

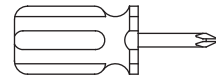
Table of Contents

Assembly Tools Required

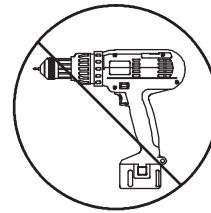
Part Identification	3
Hardware Identification	4
Assembly Steps	5-14
Français	15-17
Español	18-20
Safety	21-22
Warranty	23



No. 2 Phillips Screwdriver
Tip Shown Actual Size



Short Screwdriver



Skip the power trip.
This time.

Part Identification

Now you know
our ABCs.

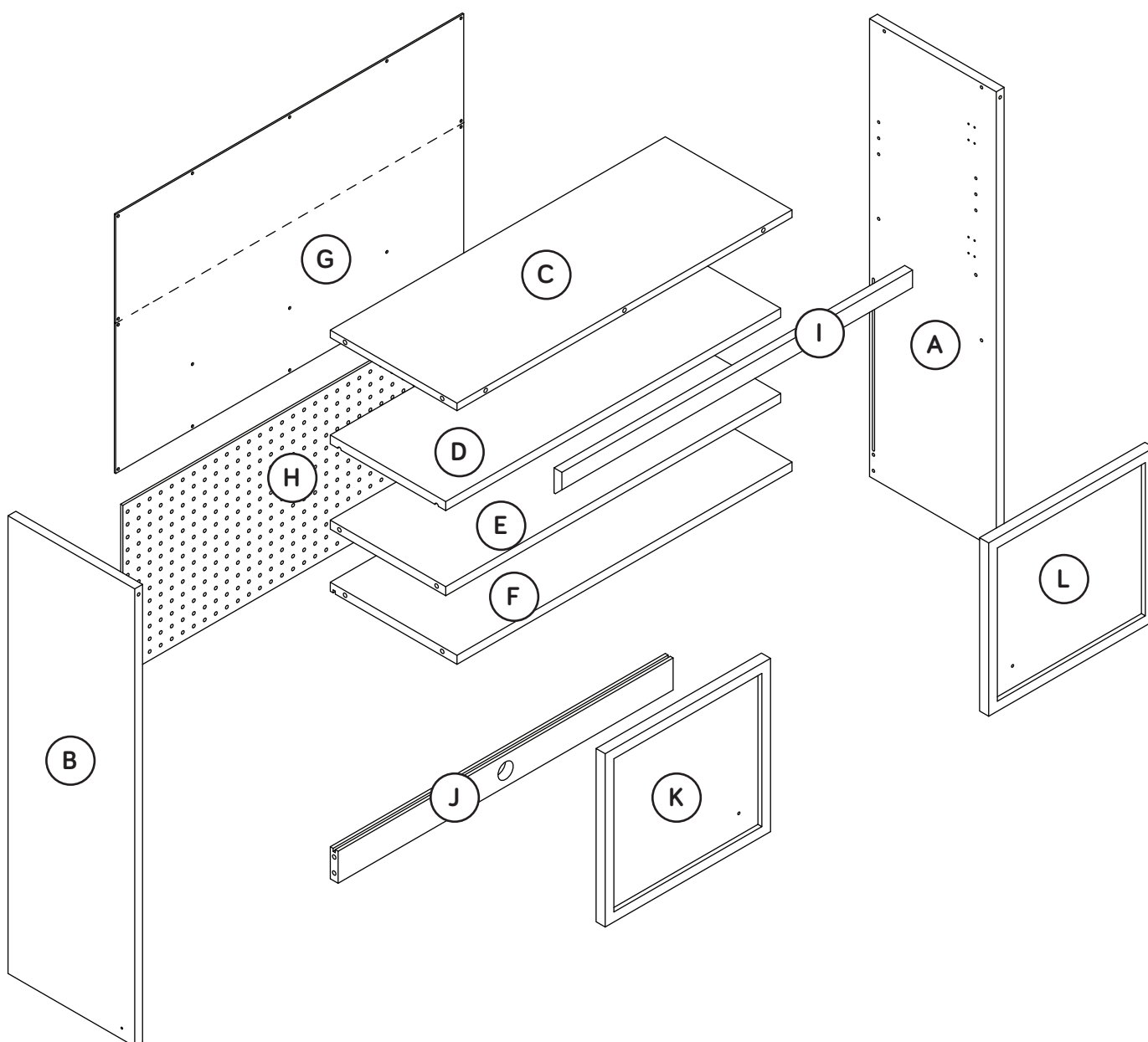


↑ While not all parts are labeled, some of the parts will have a label or an inked letter on the edge to help distinguish similar parts from each other. Use this part identification to help identify similar parts.

A	RIGHT END (1)
B	LEFT END (1)
C	TOP (1)
D	ADJUSTABLE SHELF (1)

E	SHELF (1)
F	LOWER SHELF (1)
G	BACK (1)
H	PEG BOARD (1)

I	TOP MOLDING (1)
J	LOWER BRACE (1)
K	LEFT DOOR (1)
L	RIGHT DOOR (1)



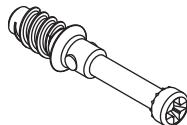
Hardware Identification

† Screws are shown actual size. You may receive extra hardware with your unit.

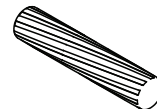
1 HIDDEN CAM - 17



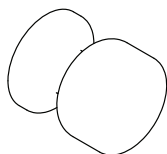
2 CAM SCREW - 17



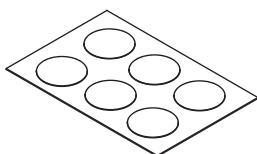
3 WOOD DOWEL - 4



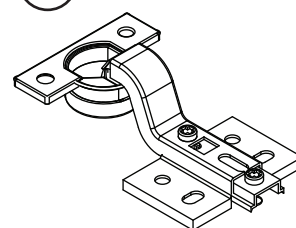
4 KNOB - 2



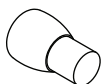
5 CAM COVER CARD - 3



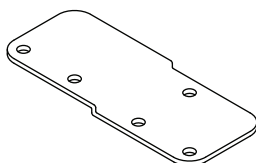
6 HINGE - 4



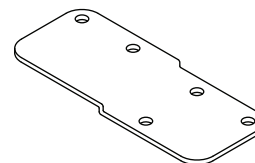
7 METAL PIN - 4



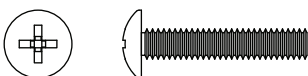
8 RIGHT CONNECTOR PLATE - 1



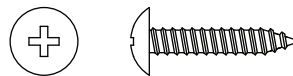
9 LEFT CONNECTOR PLATE - 1



10 SILVER 7/8" MACHINE SCREW - 2



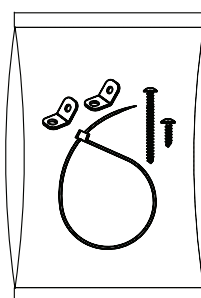
11 SILVER 13/16" PAN HEAD SCREW - 10



12 SILVER 1/2" FLAT HEAD SCREW - 40

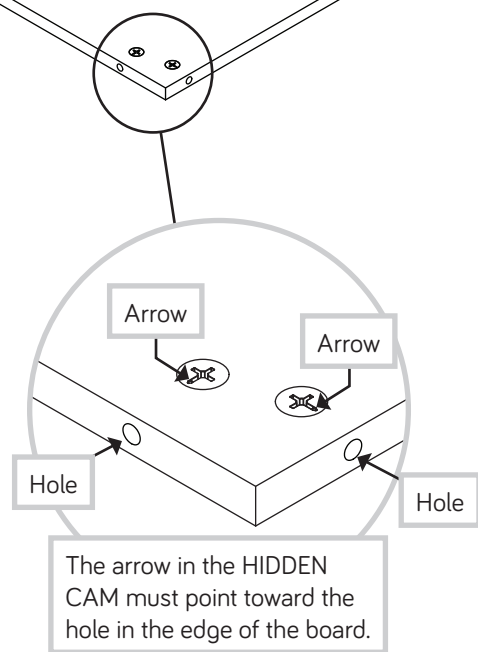
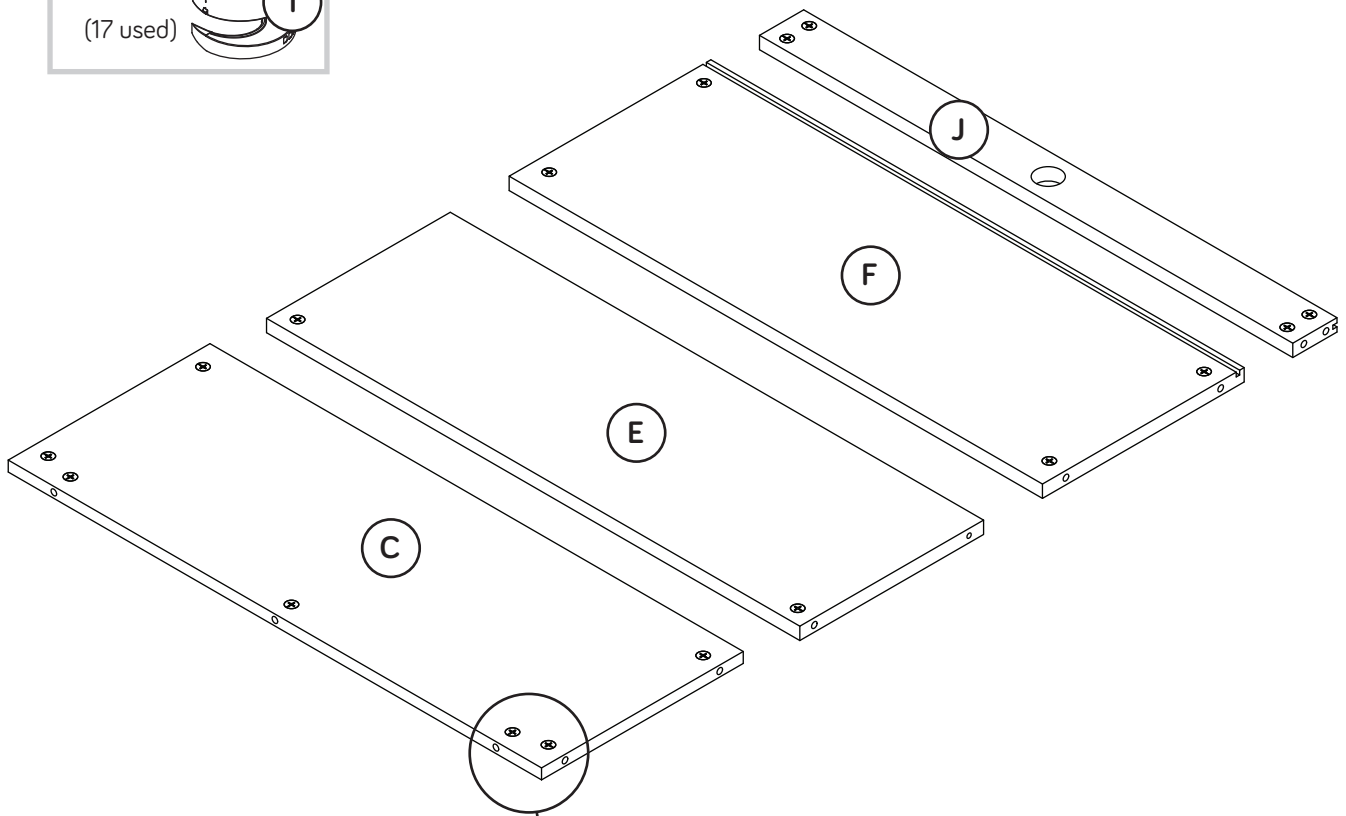
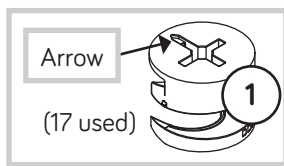


99 FURNITURE TIPPING RESTRAINT KIT - 1



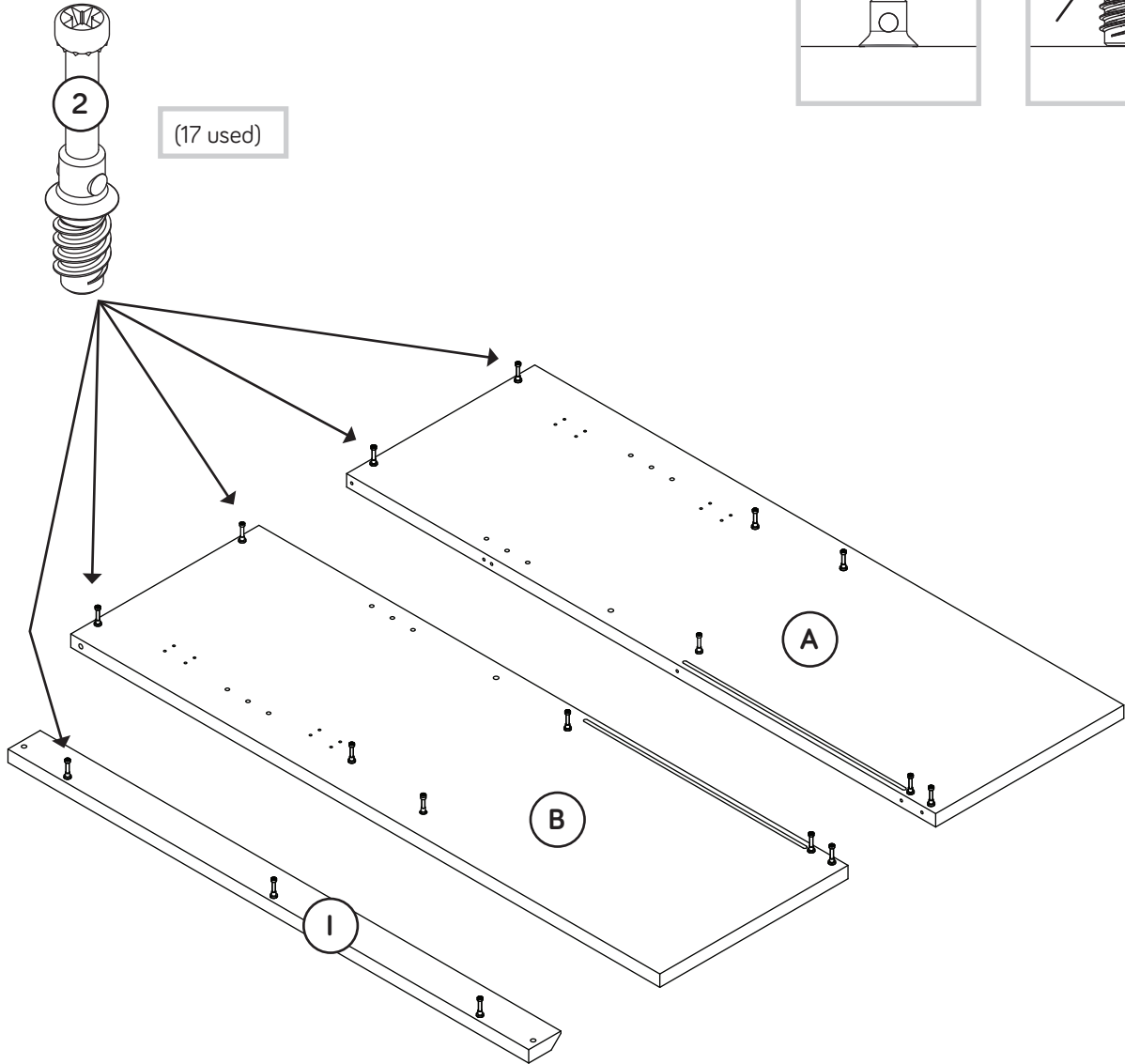
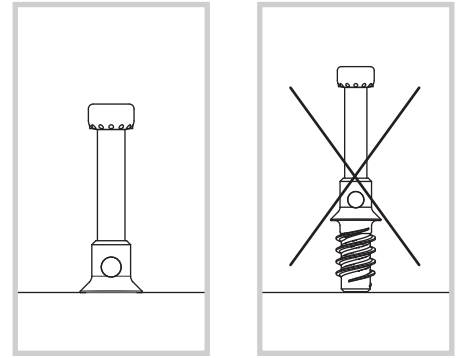
Step 1

- ✚ Assemble your unit on a carpeted floor or on the empty carton to avoid scratching your unit or the floor.
- ✚ Push seventeen HIDDEN CAMS (1) into the TOP (C), SHELVES (E and F), and LOWER BRACE (J).



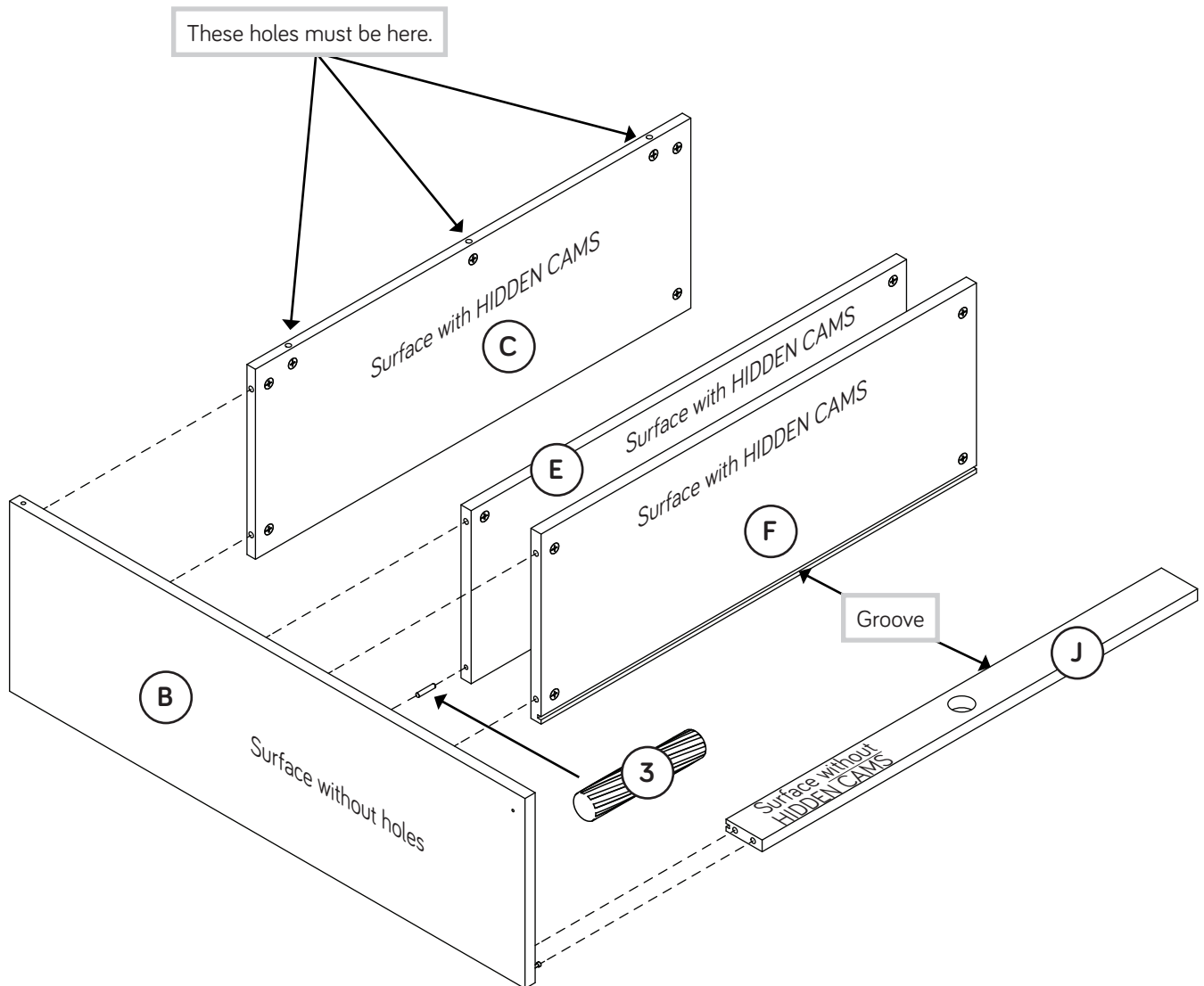
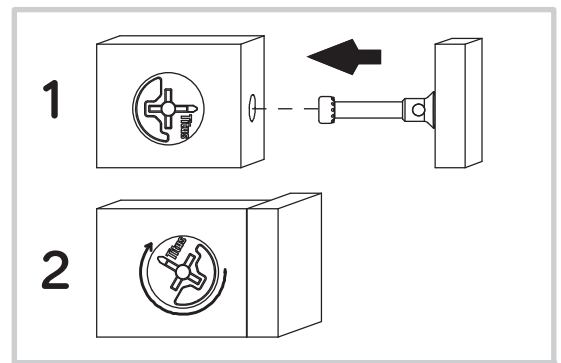
Step 2

Turn seventeen CAM SCREWS (2) into the ENDS (A and B) and TOP MOLDING (I).



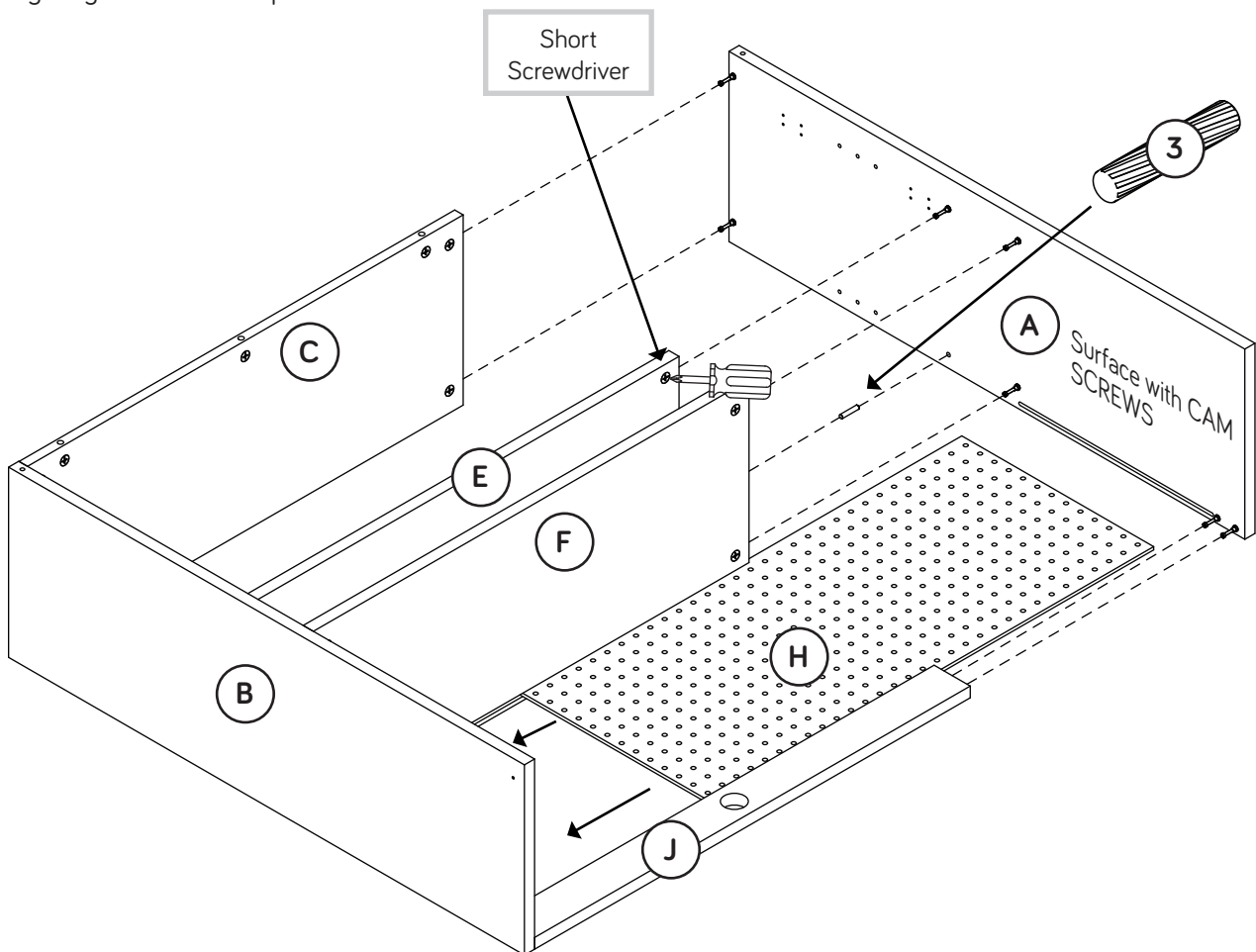
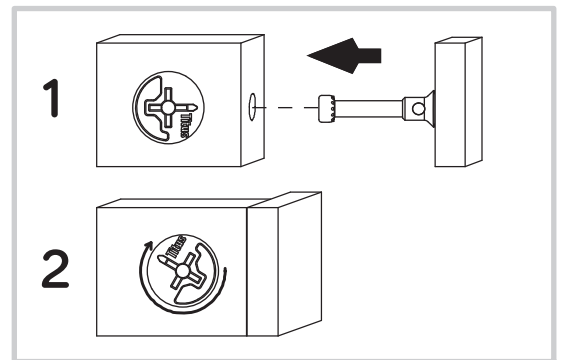
Step 3

- ✚ Insert a WOOD DOWEL (3) into the hole in the LEFT END (B).
- ✚ Fasten the TOP (C) and SHELVES (E and F) to the LEFT END (B). Tighten five HIDDEN CAMS.
- ✚ **NOTE:** Be sure the WOOD DOWEL in the LEFT END (B) inserts into the hole in the SHELF.
- ✚ Push the short edge of the LOWER BRACE (J) over the CAM SCREWS in the LEFT END (B).
- ✚ **NOTE:** The HIDDEN CAMS in the LOWER BRACE (J) will not get tightened until step 6.



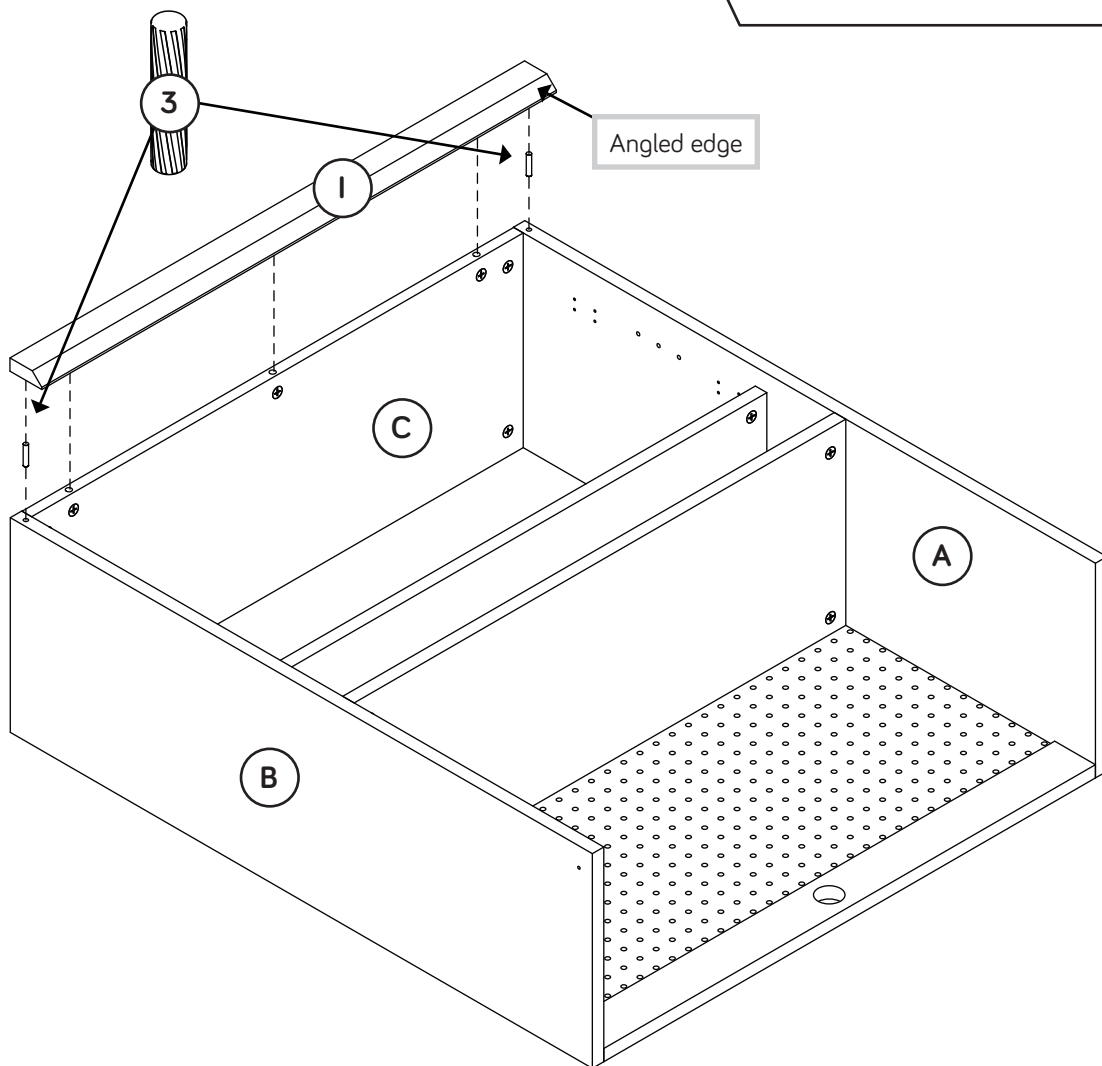
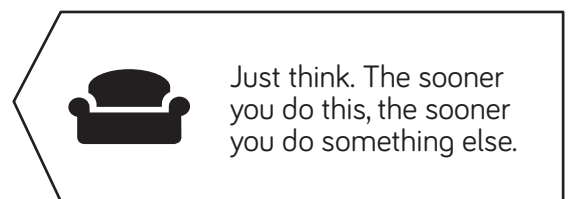
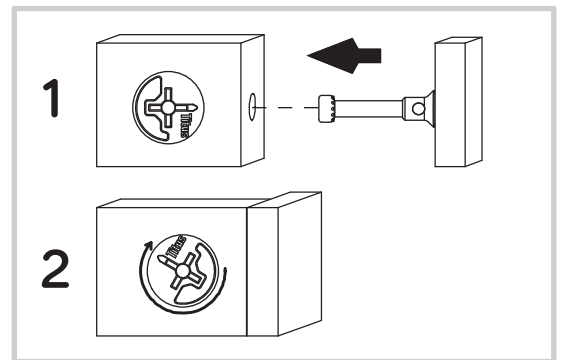
Step 4

- ✚ You will need a short screwdriver in this step.
- ✚ Slide the PEG BOARD (H) into the grooves of the LOWER SHELF (F), LOWER BRACE (J), and LEFT END (B).
- ✚ Insert a WOOD DOWEL (3) into the hole in the RIGHT END (A).
- ✚ Fasten the RIGHT END (A) to the TOP (C) and SHELVES (E and F). Tighten five HIDDEN CAMS.
- ✚ **NOTE:** Be sure the PEG BOARD (H) inserts into the groove of the RIGHT END.
- ✚ **NOTE:** Be sure the WOOD DOWEL and CAM SCREWS in the RIGHT END insert into the SHELF and the LOWER BRACE.
- ✚ **NOTE:** The HIDDEN CAMS in the LOWER BRACE (J) will not get tightened until step 6



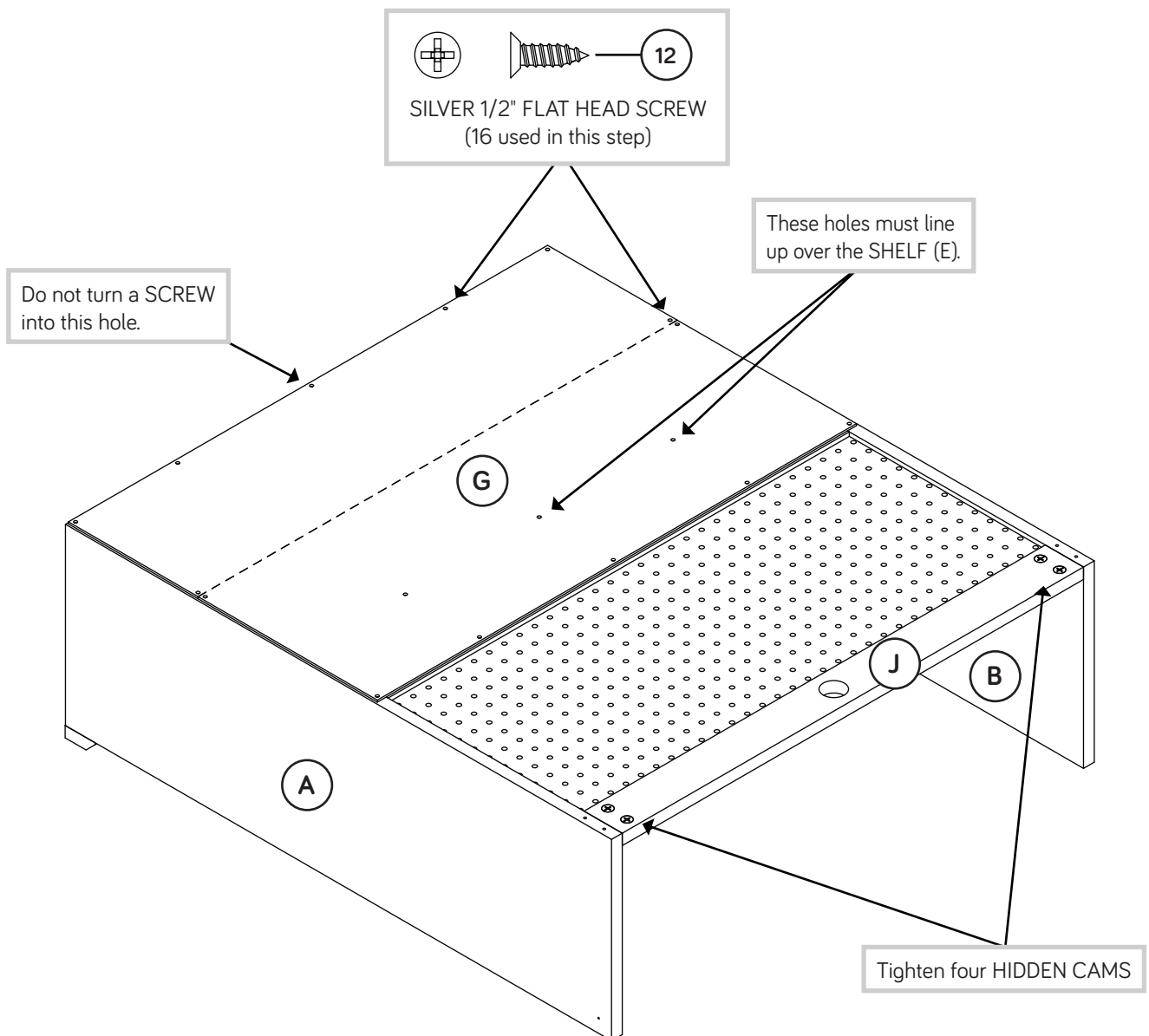
Step 5

- ✚ Insert two WOOD DOWELS (3) into the holes in the TOP MOLDING (I).
- ✚ Fasten the TOP MOLDING (I) to the TOP (C) and ENDS (A and B).
- ✚ **NOTE:** Be sure the WOOD DOWELS in the TOP MOLDING insert into the holes in the ENDS.



Step 6

- 🔩 Carefully turn your unit over onto its front edges. Tighten four HIDDEN CAMS in the LOWER BRACE (J).
- 🔩 Unfold the BACK (G) and lay it over your unit.
- 🔩 Make equal margins along all four edges of the BACK (G). Push on opposite corners of your unit if needed to make it "square".
- 🔩 Fasten the BACK (G) to the ENDS (A and B) and SHELF (E). Use sixteen SILVER 1/2" FLAT HEAD SCREWS (12).



Step 7

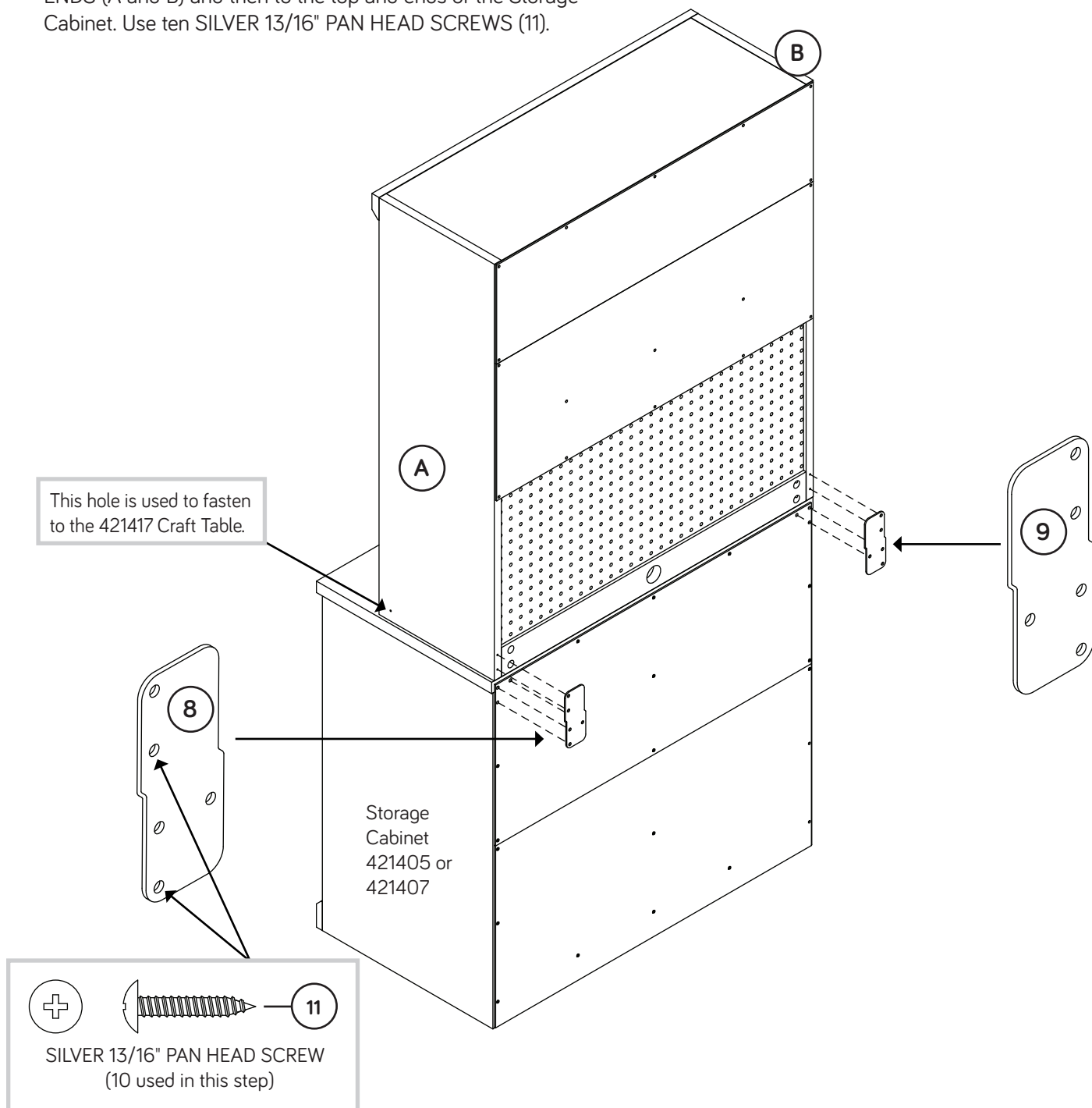
✚ The 421414 Hutch is made to fit on the 421407 Storage Cabinet, 421405 Open Storage Cabinet, and 421417 Craft Table.

✚ **NOTE:** If fastening the 421414 Hutch to the 421417 Craft Table, the hardware and instructions are provided with the Craft Table.

✚ With someone's help, carefully set your Hutch on top of your Storage Cabinet.

✚ Fasten the CONNECTOR PLATES (8 and 9) to the Hutch ENDS (A and B) and then to the top and ends of the Storage Cabinet. Use ten SILVER 13/16" PAN HEAD SCREWS (11).

Caution

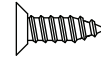


Step 8

Fasten four HINGES (6) to the DOORS (K and L). Use eight SILVER 1/2" FLAT HEAD SCREWS (12).

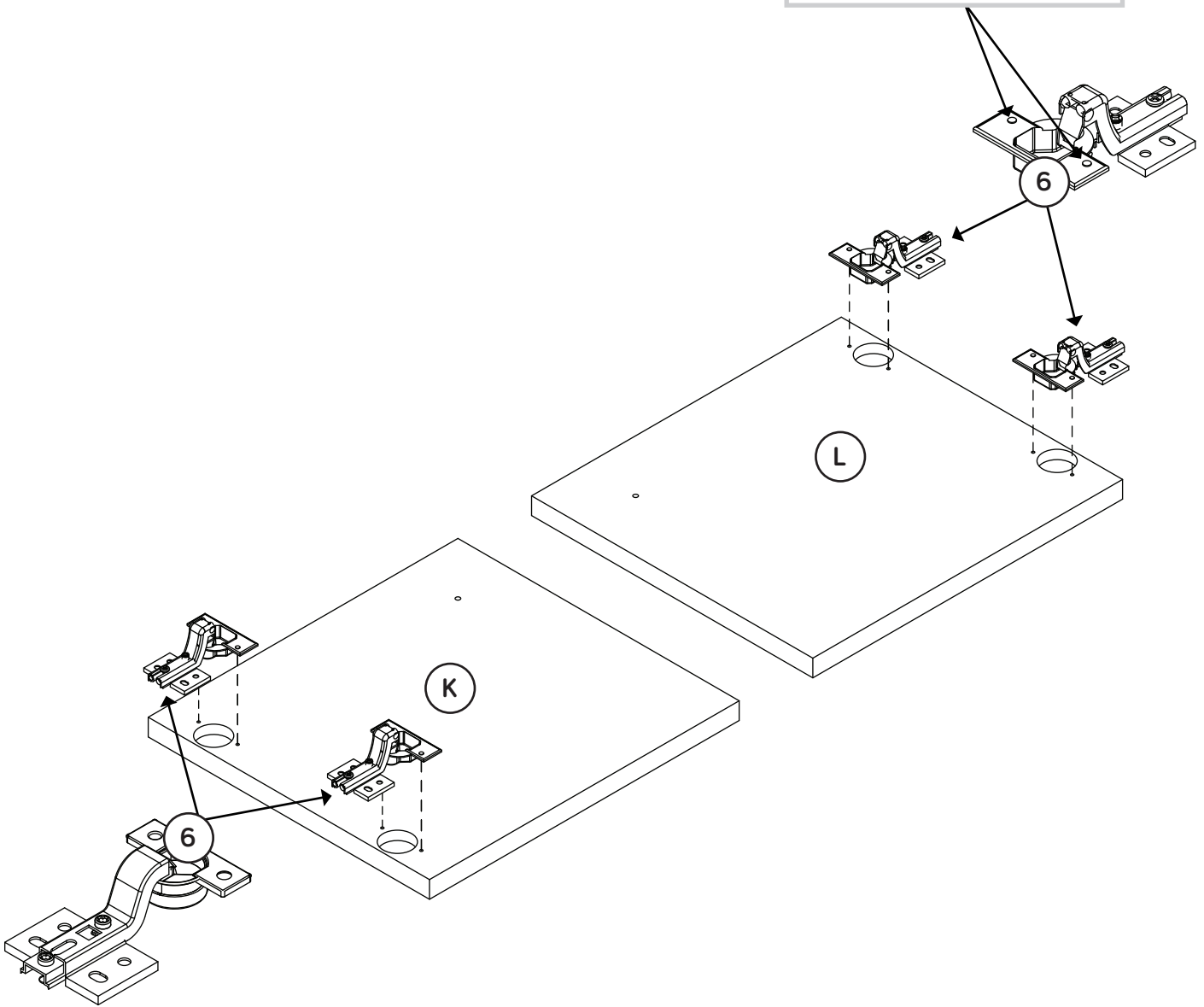


If you're doing this to help a friend, don't leave without a bite.



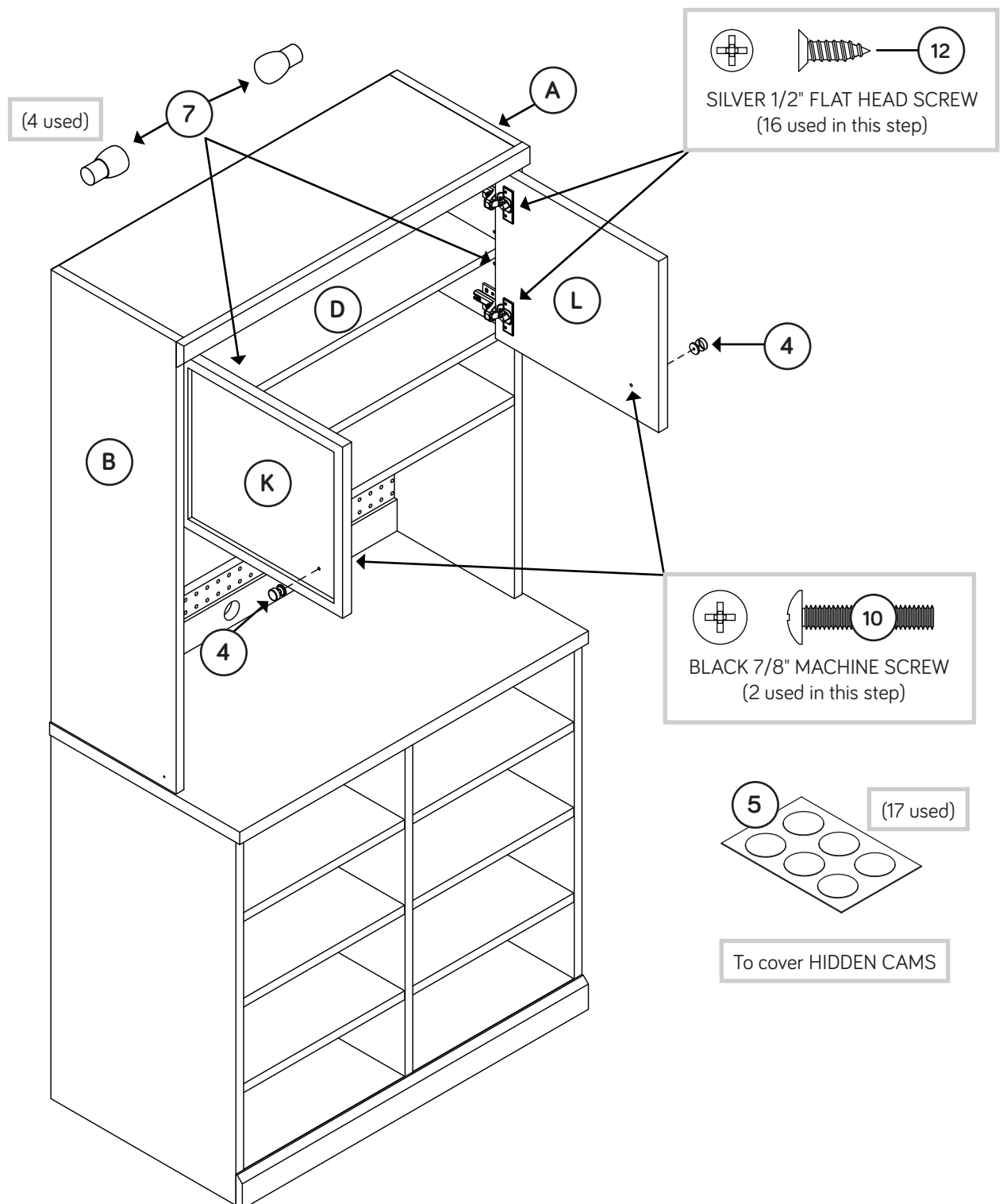
12

SILVER 1/2" FLAT HEAD SCREW
(8 used in this step)



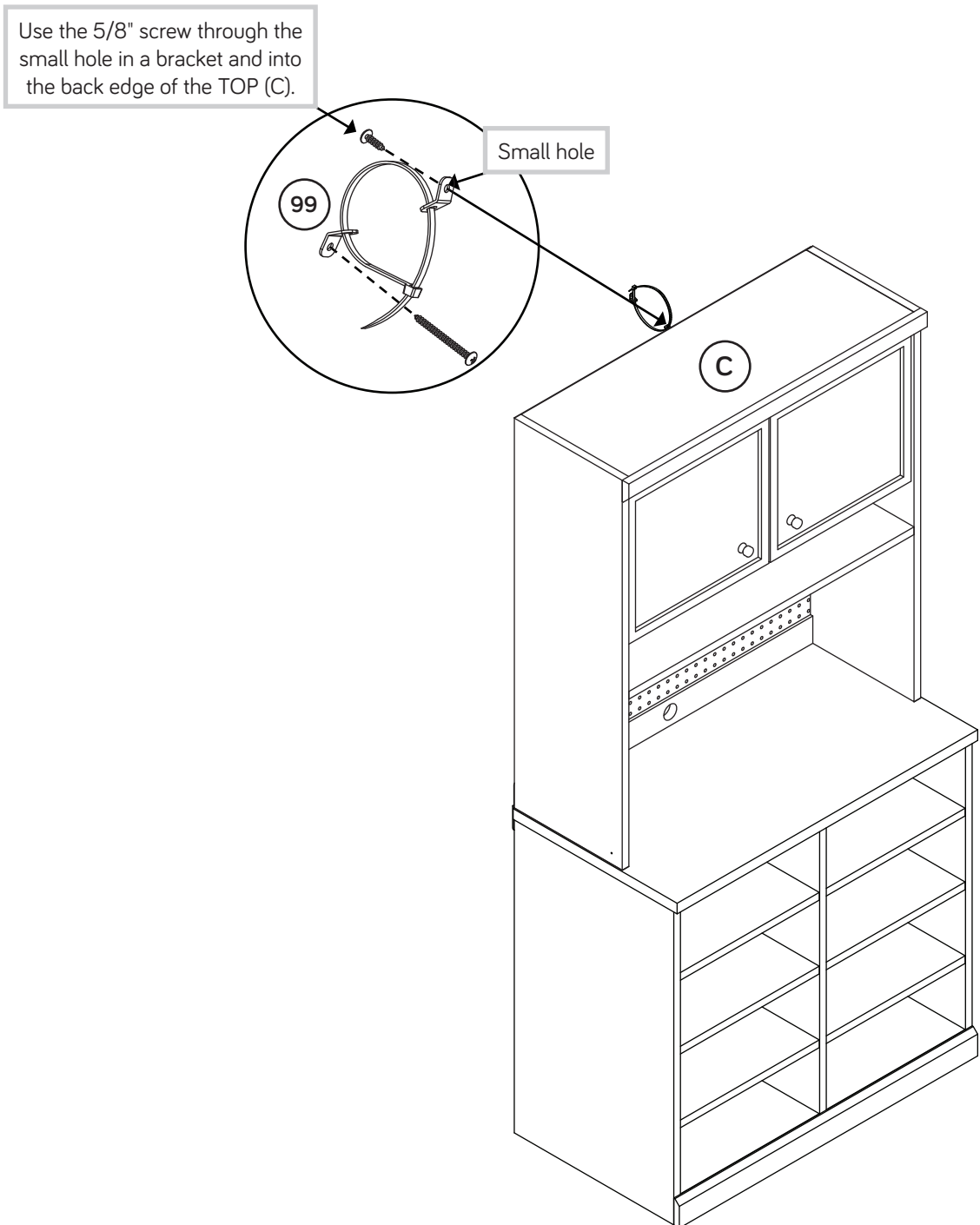
Step 9

- ✚ Push four METAL PINS (7) into the desired holes in the ENDS (A and B).
- ✚ With the groove surface down, set the ADJUSTABLE SHELF (D) onto the METAL PINS (7).
- ✚ Fasten the DOORS (K and L) to the ENDS (A and B). Use sixteen SILVER 1/2" FLAT HEAD SCREWS (12).
- ✚ Fasten the KNOBS (4) to the DOORS (K and L). Use two SILVER 7/8" MACHINE SCREWS (10).
- ✚ Peel a CAM COVER from the CAM COVER CARD (5) and stick one onto each visible HIDDEN CAM.



Step 10

- ✚ We recommend using the FURNITURE TIPPING RESTRAINT KIT (99) for added stability. Fasten the bracket with the small hole to the back edge of the TOP (C) using the 5/8" screw as shown.
- ✚ Place your unit in its final location against a wall.
- ✚ Follow the instructions included in the KIT to fasten your unit to the wall.
- ✚ NOTE: Please read the back pages of the instruction booklet for important safety information.
- ✚ This completes assembly. Clean with your favorite furniture polish or a damp cloth. Wipe dry.



⚠ WARNING

Please use your furniture correctly and safely. Improper use can cause safety hazards, or damage to your furniture or household items. ***Carefully read the following chart.***

Look out for:	What can happen:	How to avoid the problem:
<ul style="list-style-type: none">• Overloaded shelves.• Improper loading can cause the product to be top-heavy.	<ul style="list-style-type: none">• Risk of injury.• Top-heavy furniture can tip over.• Overloaded shelves can break.	<ul style="list-style-type: none">• Never exceed the weight limits shown in the instructions.• Work from bottom to top when loading shelves. Place the heavier items on the lower shelves.
<ul style="list-style-type: none">• Improperly moving furniture that is not designed and equipped with casters.	<ul style="list-style-type: none">• Furniture can tip over or break if improperly moved.• Physical injury. Furniture can be very heavy.	<ul style="list-style-type: none">• Unload shelves from top to bottom before moving the furniture.• Do not push furniture, especially on a carpeted floor. Have a friend help you lift the item and set it in place.• This unit must be positioned against a wall.
<ul style="list-style-type: none">• Children climbing on the shelves can cause the product to tip.	<ul style="list-style-type: none">• Risk of injury or death.	<ul style="list-style-type: none">• Do not allow children to climb on the shelves. Avoid placing items like toys or candy on upper shelves.• Use the tipping restraint kit for added stability.
<ul style="list-style-type: none">• Placing TVs on furniture items that are not designed to support a television is hazardous.	<ul style="list-style-type: none">• Risk of injury or death. TVs can be very heavy. Plus the weight and location of the picture tube tends to make TVs unbalanced and prone to tipping forward.	<ul style="list-style-type: none">• This product is not designed to support a television.