

You'll **love** what we
have in **storage**.

Storage Cabinet

Craft Collection | Model 5421407

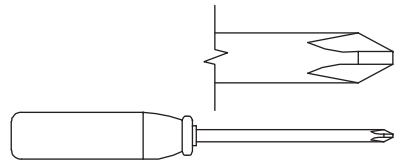
NOTE: THIS INSTRUCTION
BOOKLET CONTAINS **IMPORTANT**
SAFETY INFORMATION.

PLEASE READ AND KEEP FOR
FUTURE REFERENCE.

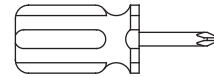
Table of Contents

Assembly Tools Required

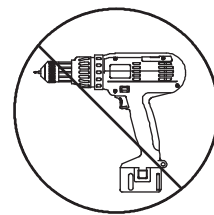
Part Identification	3
Hardware Identification	4
Assembly Steps	5-21
Français	22-25
Español	26-29
Safety	30
Warranty	31



No. 2 Phillips Screwdriver
Tip Shown Actual Size



Short Screwdriver



Skip the power trip.
This time.

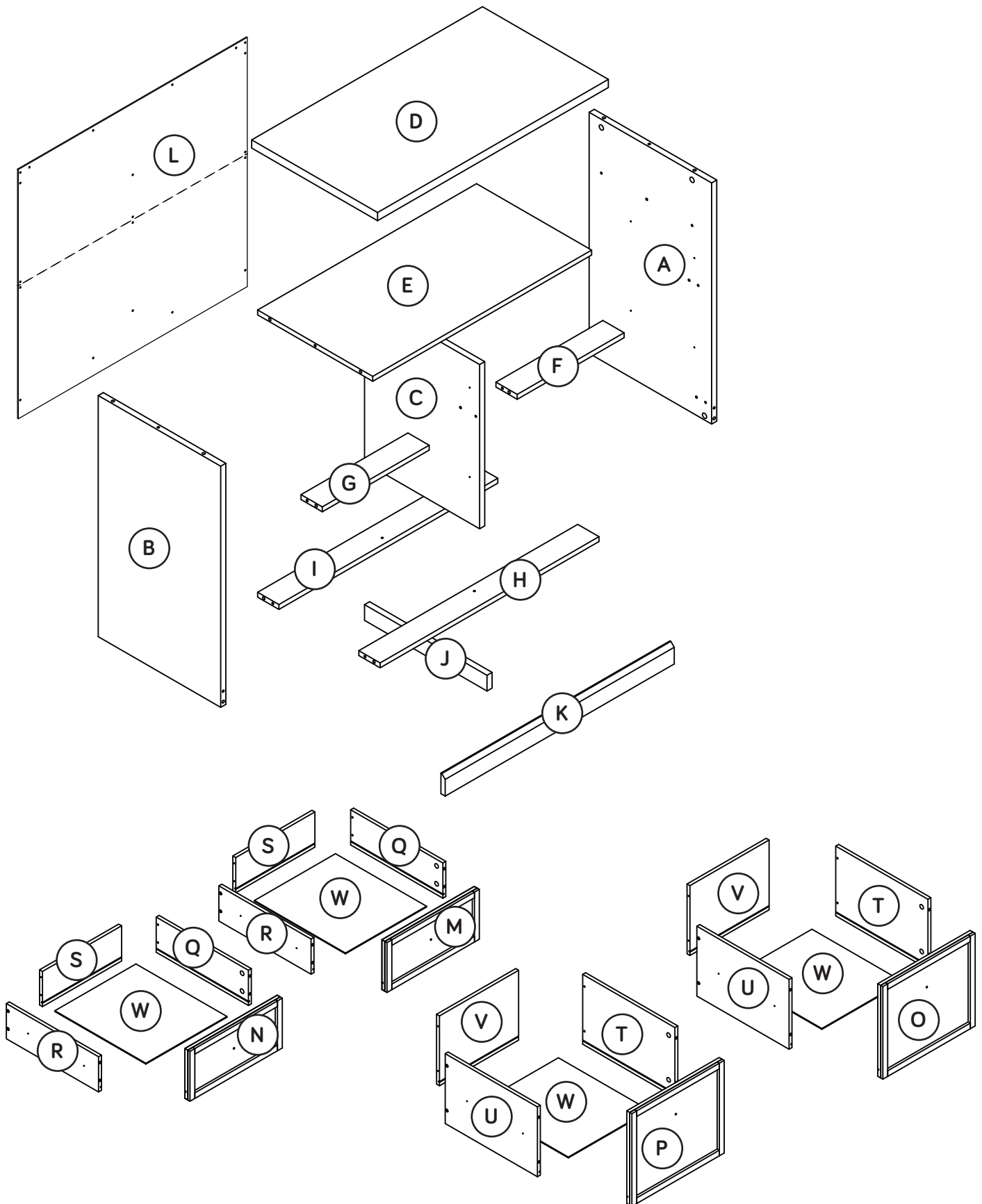
Part Identification

⚠ While not all parts are labeled, some of the parts will have a label or an inked letter on the edge to help distinguish similar parts from each other. Use this part identification to help identify similar parts.

A	RIGHT END (1)	I	REAR BOTTOM (1)	Q	SMALL RIGHT DRAWER SIDE (2)
B	LEFT END (1)	J	BOTTOM BRACE (1)	R	SMALL LEFT DRAWER SIDE (2)
C	UPRIGHT (1)	K	SKIRT (1)	S	SMALL DRAWER BACK (2)
D	TOP (1)	L	BACK (1)	T	LARGE RIGHT DRAWER SIDE (2)
E	SHELF (1)	M	SMALL RIGHT DRAWER FRONT (1)	U	LARGE LEFT DRAWER SIDE (2)
F	RIGHT BRACE (1)	N	SMALL LEFT DRAWER FRONT (1)	V	LARGE DRAWER BACK (2)
G	LEFT BRACE (1)	O	LARGE RIGHT DRAWER FRONT (1)	W	DRAWER BOTTOM (4)
H	FRONT BOTTOM (1)	P	LARGE LEFT DRAWER FRONT (1)		

Part Identification

Now you know
our ABCs.

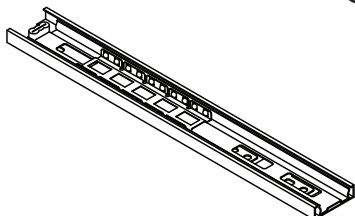


Hardware Identification

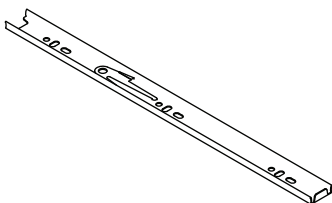
† Screws are shown actual size. You may receive extra hardware with your unit.

(EXTENSION SET SHOWN SEPARATED)

1 EXTENSION RAIL - 8



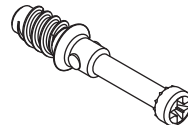
2 EXTENSION SLIDE - 8



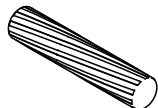
3 HIDDEN CAM - 38



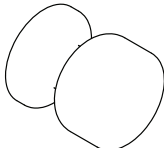
4 CAM SCREW - 38



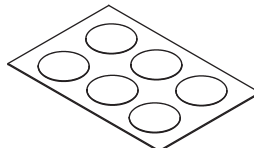
5 WOOD DOWEL - 15



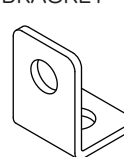
6 KNOB - 4



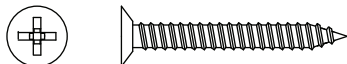
7 APPLIQUE CARD - 4



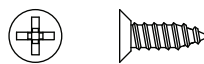
8 METAL BRACKET - 4



11 SILVER 1-3/16" FLAT HEAD SCREW - 18



15 SILVER 1/2" FLAT HEAD SCREW - 52



17 SILVER 1/2" PAN HEAD SCREW - 8

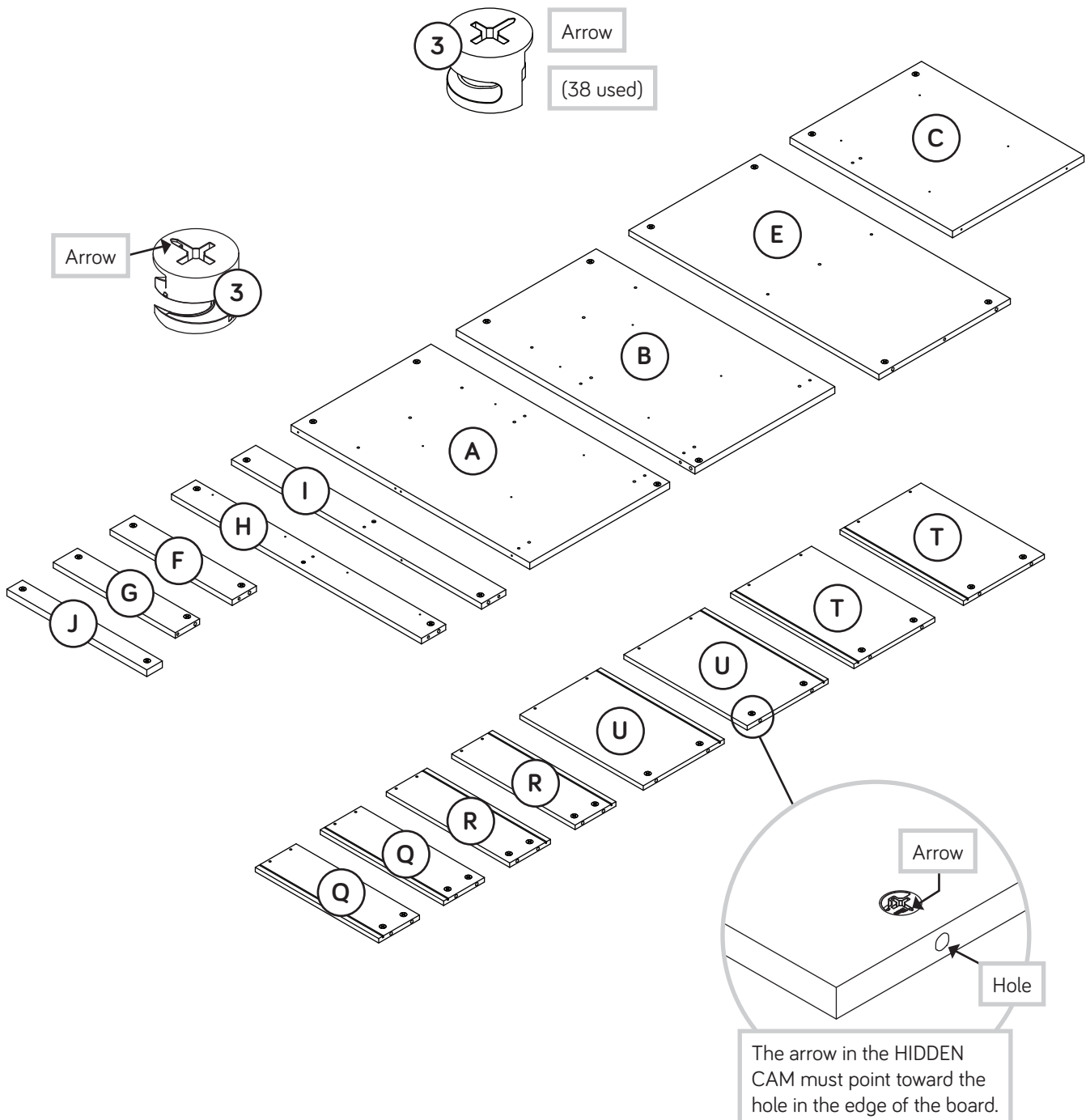


18 SILVER 11/16" MACHINE SCREW - 4



Step 1

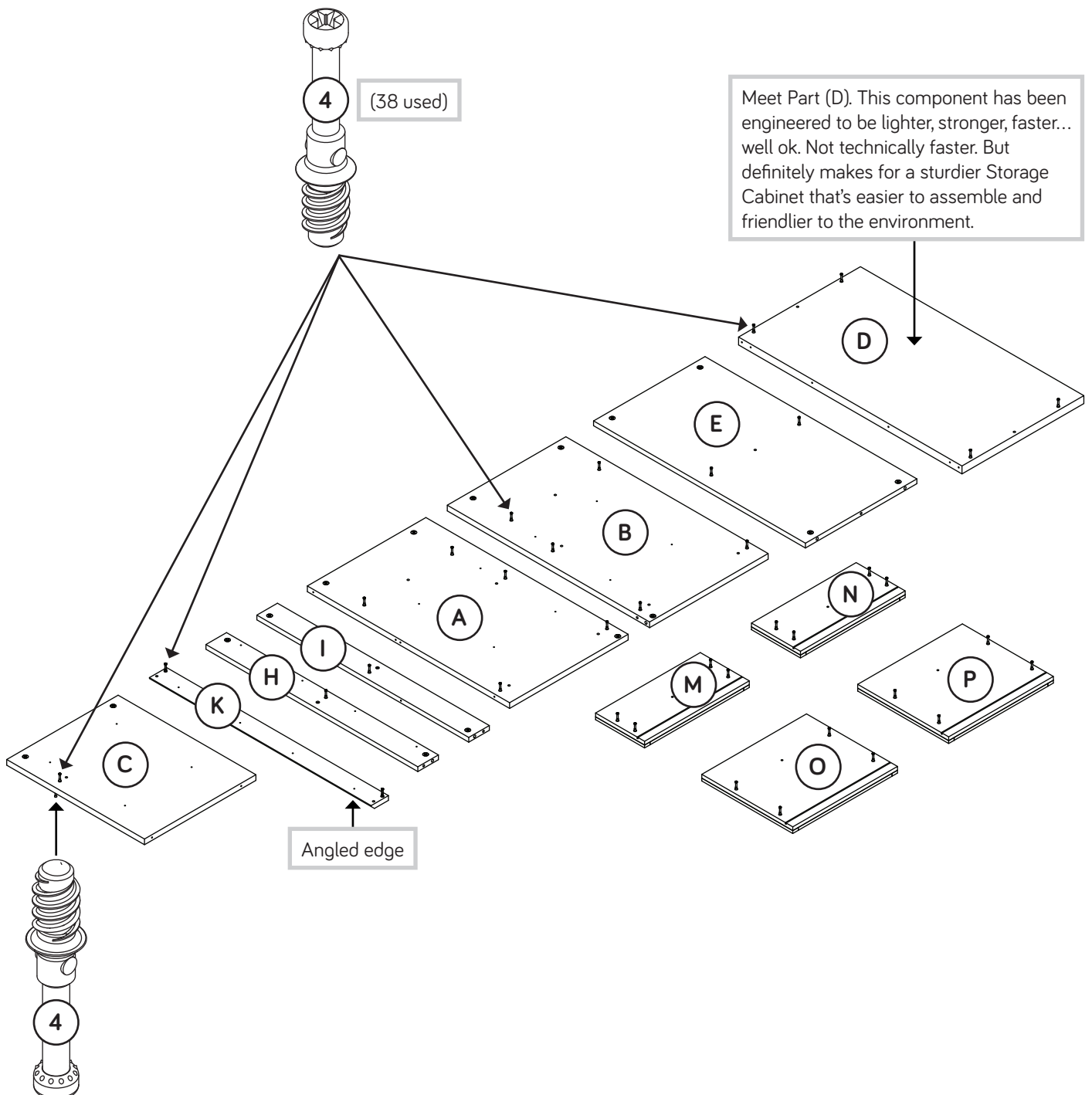
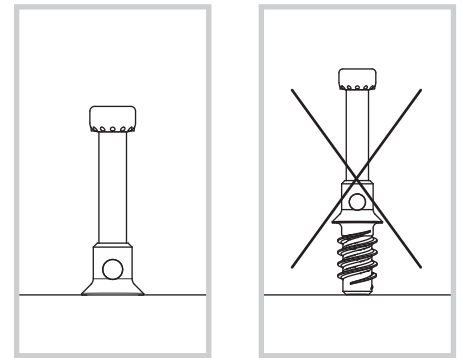
- ✚ Assemble your unit on a carpeted floor or on the empty carton to avoid scratching your unit or the floor.
- ✚ Push thirty-eight HIDDEN CAMS (3) into the ENDS (A and B), UPRIGHT (C), SHELF (E), BRACES (F, G, and J), BOTTOMS (H and I), and DRAWER SIDES (Q, R, T, and U).



Step 2

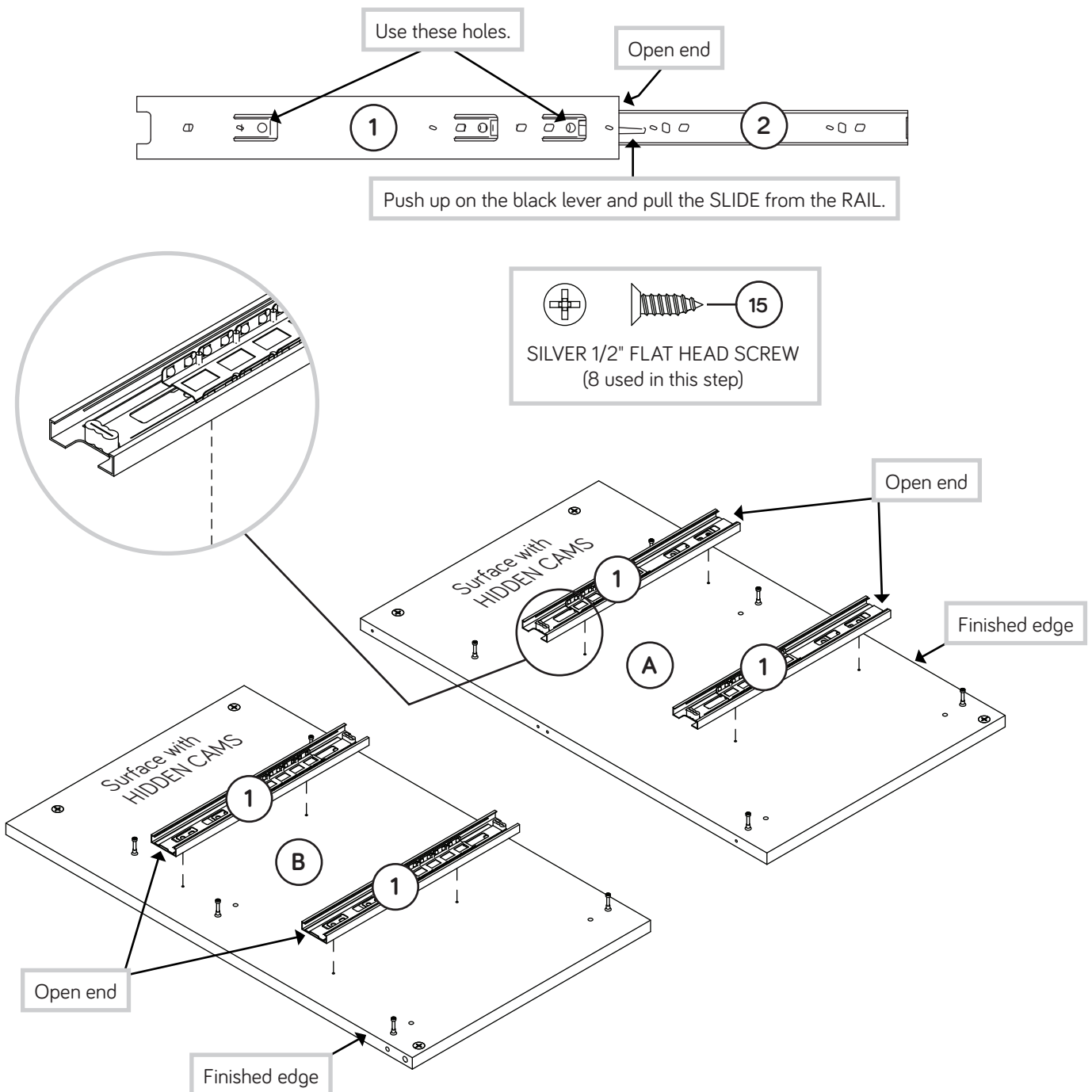
- Turn thirty-eight CAM SCREWS (4) into the exact holes shown in the ENDS (A and B), UPRIGHT (C), TOP (D), SHELF (E), SKIRT (K), BOTTOMS (H and I), and DRAWER FRONTS (M, N, O, and P).

NOTE: Be sure to use the exact holes shown.



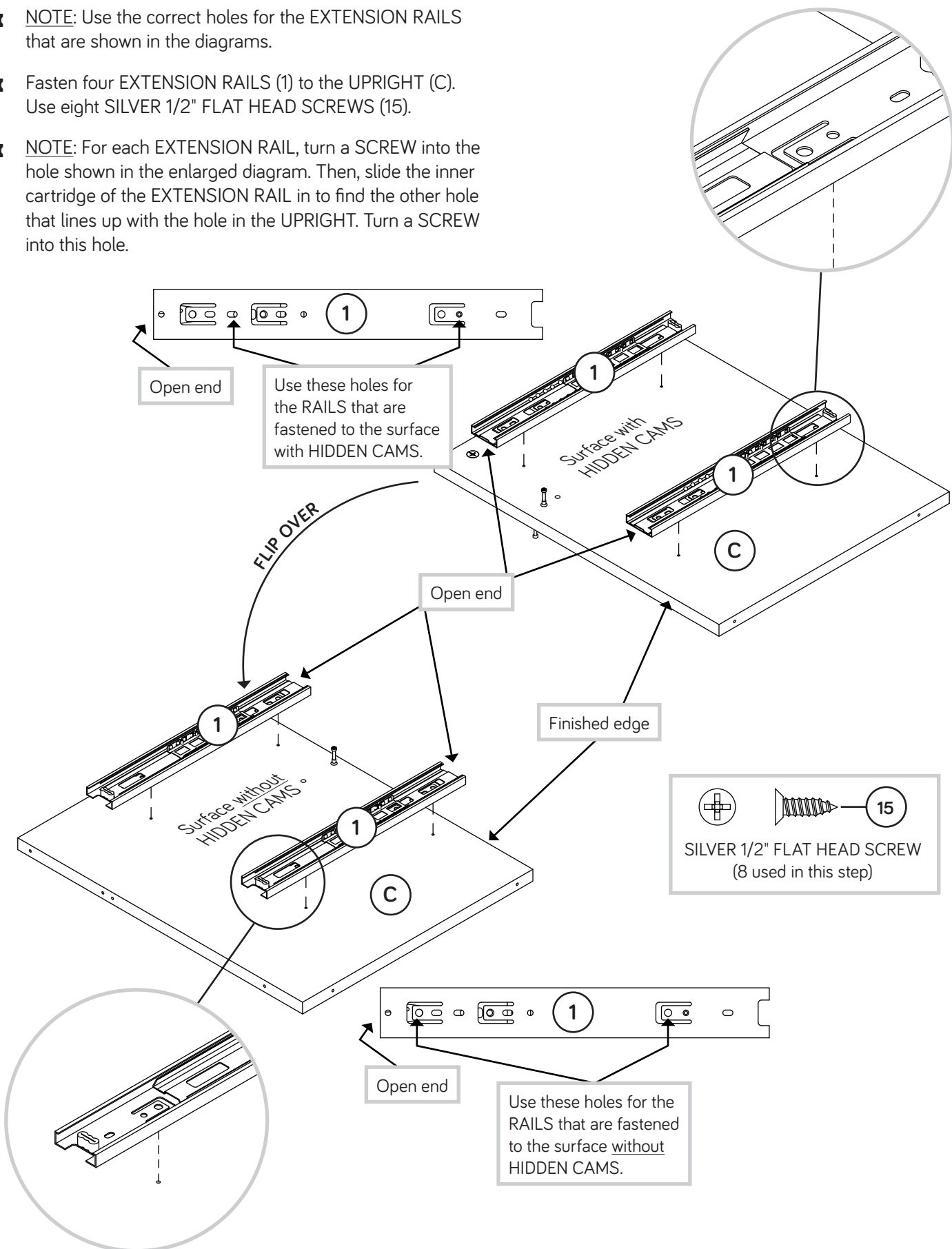
Step 3

- ✚ Separate the EXTENSION SLIDES (2) from the EXTENSION RAILS (1) as shown in the upper diagram below. Be prepared, the parts are greasy.
- ✚ Fasten four EXTENSION RAILS (1) to the ENDS (A and B). Use eight SILVER 1/2" FLAT HEAD SCREWS (15).
- ✚ **NOTE:** For each EXTENSION RAIL, turn a SCREW into the hole shown in the enlarged diagram. Then, slide the inner cartridge of the EXTENSION RAIL in to find the other hole that lines up with the hole in the END. Turn a SCREW into this hole.
- ✚ **NOTE:** The EXTENSION SLIDES will be used later for the DRAWERS.



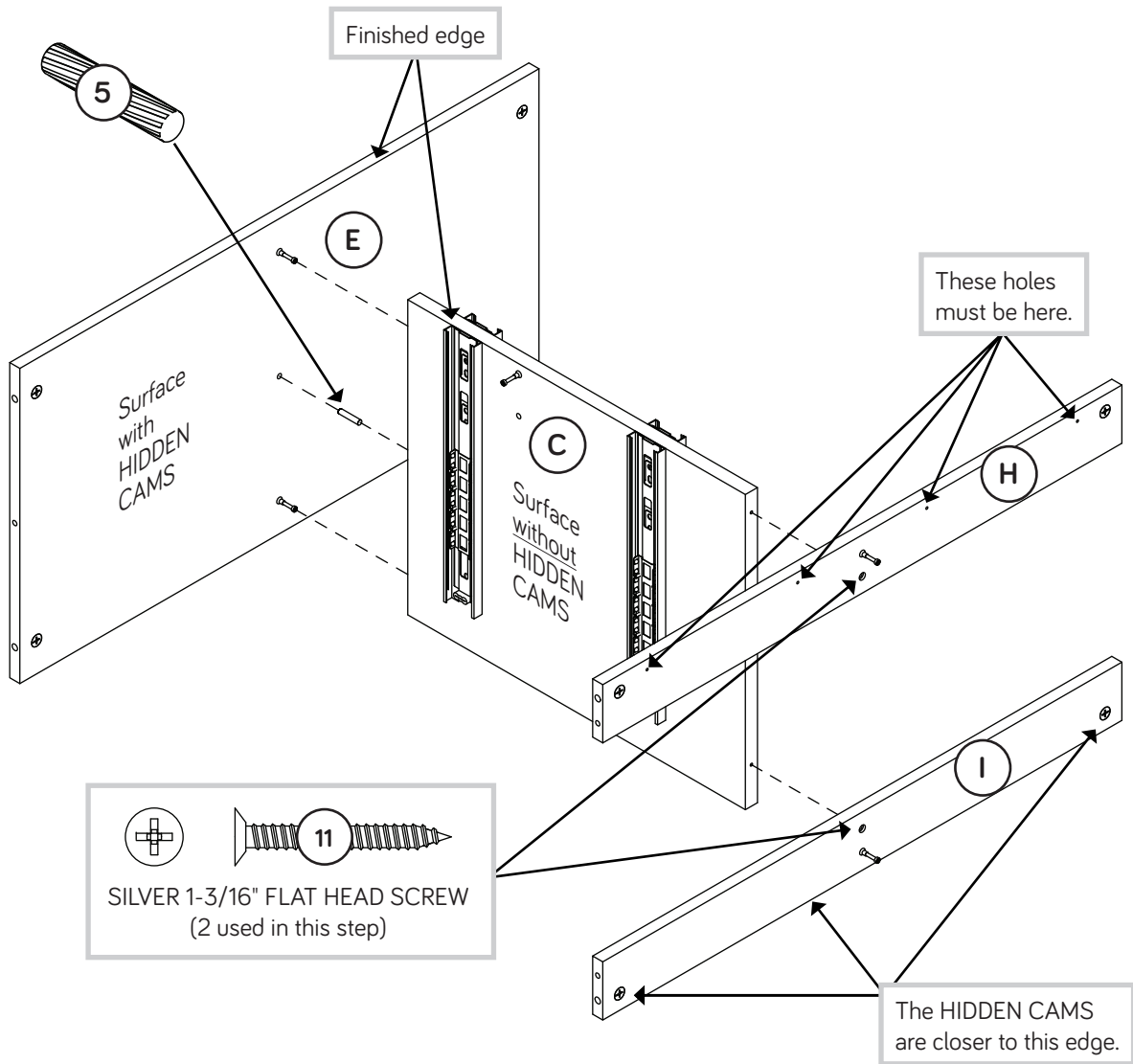
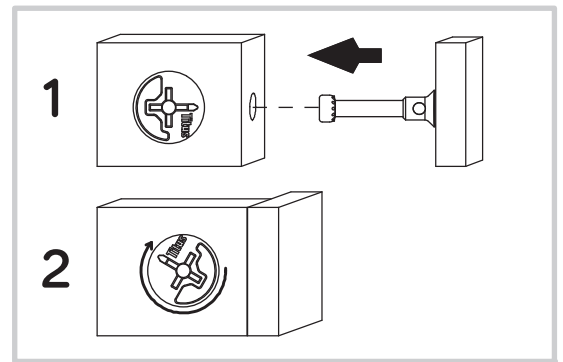
Step 4

- NOTE: Use the correct holes for the EXTENSION RAILS that are shown in the diagrams.
- Fasten four EXTENSION RAILS (1) to the UPRIGHT (C). Use eight SILVER 1/2" FLAT HEAD SCREWS (15).
- NOTE: For each EXTENSION RAIL, turn a SCREW into the hole shown in the enlarged diagram. Then, slide the inner cartridge of the EXTENSION RAIL in to find the other hole that lines up with the hole in the UPRIGHT. Turn a SCREW into this hole.



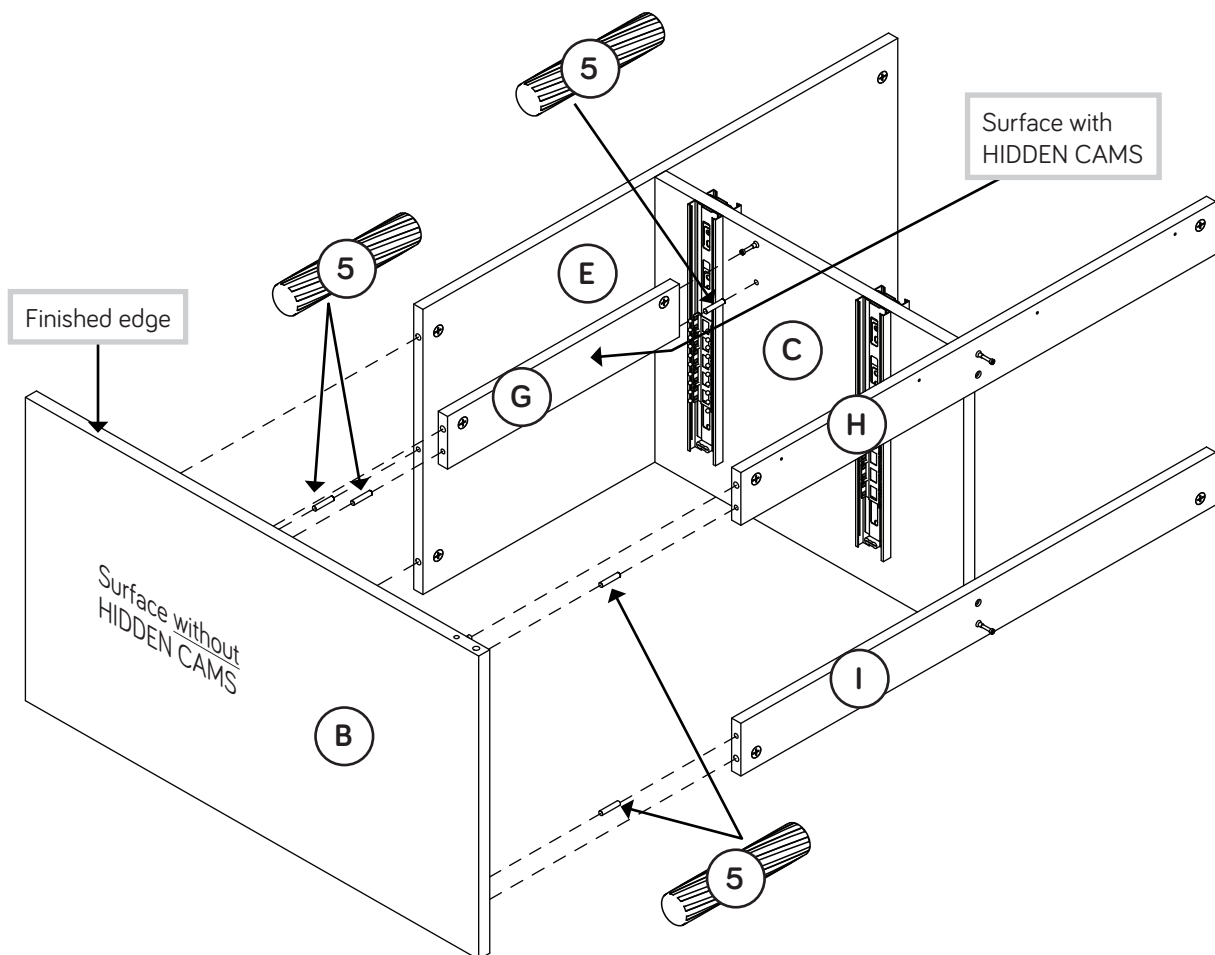
Step 5

- ✚ Insert one WOOD DOWEL (5) into the SHELF (E).
- ✚ Fasten the UPRIGHT (C) to the SHELF (E). Tighten two HIDDEN CAMS.
- ✚ **NOTE:** Be sure the WOOD DOWEL in the SHELF inserts into the UPRIGHT.
- ✚ Fasten the BOTTOMS (H and I) to the UPRIGHT (C). Use two SILVER 1-3/16" FLAT HEAD SCREWS (11).



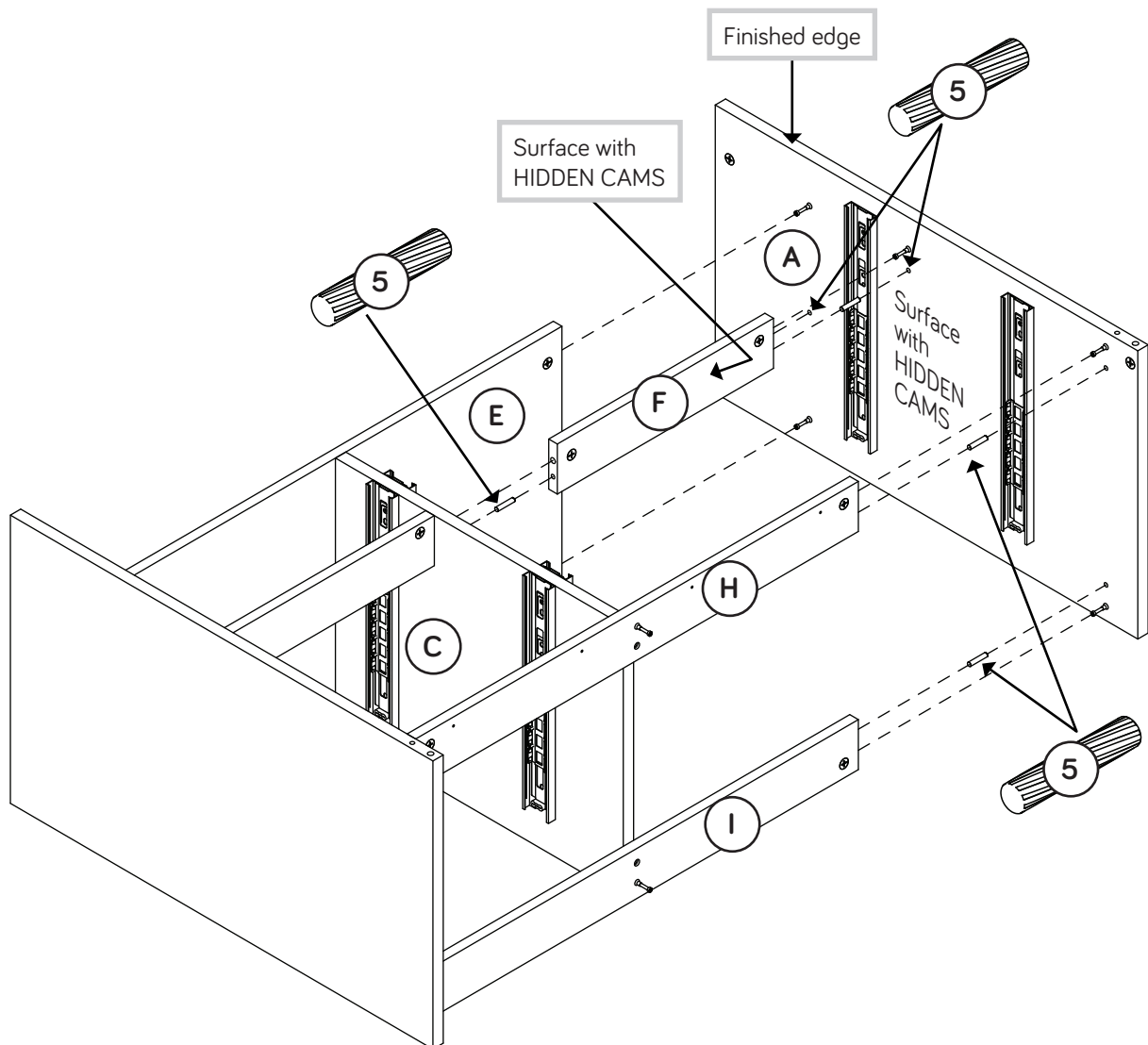
Step 6

- ✚ Insert one WOOD DOWEL (5) into the UPRIGHT (C).
- ✚ Fasten the LEFT BRACE (G) to the UPRIGHT (C). Tighten one HIDDEN CAM.
- ✚ NOTE: Be sure the WOOD DOWEL in the UPRIGHT inserts into the LEFT BRACE.
- ✚ Insert four WOOD DOWELS (5) into the LEFT END (B).
- ✚ Fasten the LEFT END (B) to the SHELF (E), LEFT BRACE (G), and BOTTOMS (H and I). Tighten five HIDDEN CAMS.
- ✚ NOTE: You will need to use your STUBBY SCREWDRIVER to tighten the HIDDEN CAMS in the SHELF.
- ✚ NOTE: Be sure the WOOD DOWELS in the LEFT END insert into the SHELF, LEFT BRACE, and BOTTOMS.



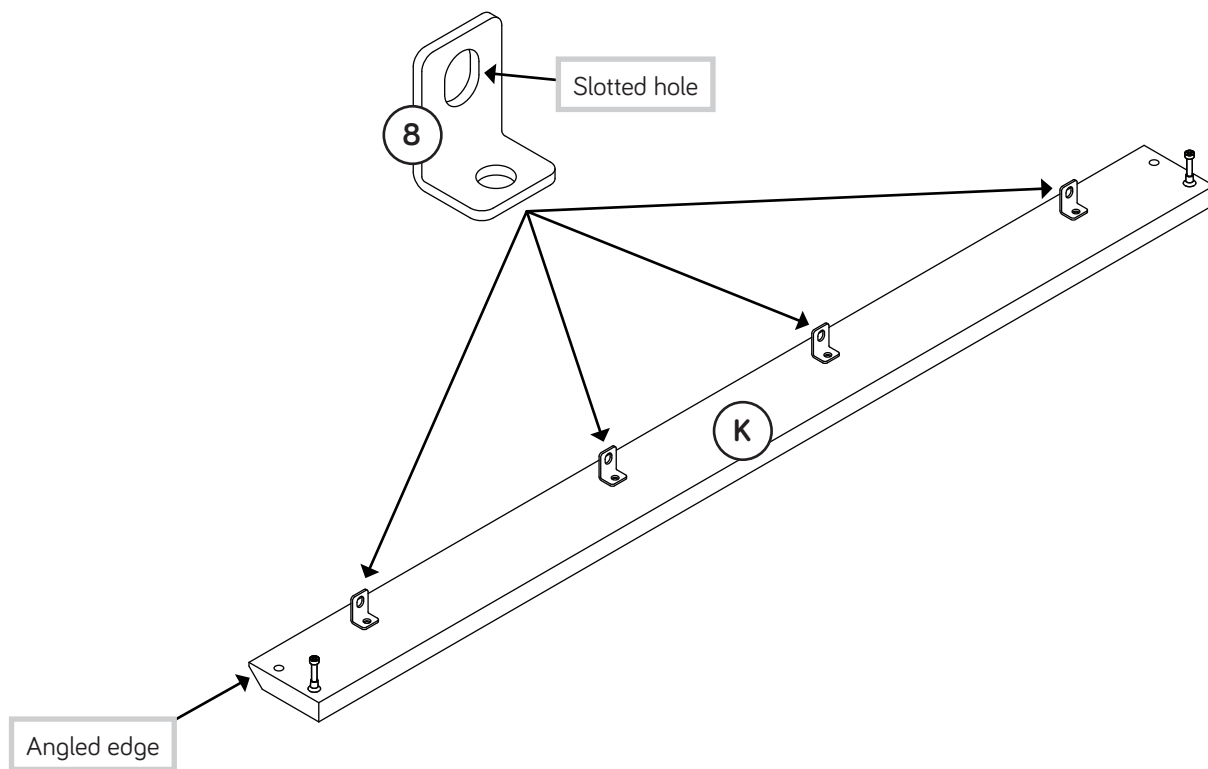
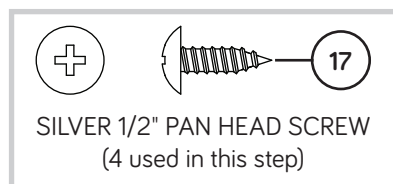
Step 7

- ✚ Insert one WOOD DOWEL (5) into the UPRIGHT (C).
- ✚ Fasten the RIGHT BRACE (F) to the UPRIGHT (C). Tighten one HIDDEN CAM.
- ✚ NOTE: Be sure the WOOD DOWEL in the UPRIGHT inserts into the RIGHT BRACE.
- ✚ Insert four WOOD DOWELS (5) into the RIGHT END (A).
- ✚ Fasten the RIGHT END (A) to the SHELF (E), RIGHT BRACE (F), and BOTTOMS (H and I). Tighten five HIDDEN CAMS.
- ✚ NOTE: You will need to use your STUBBY SCREWDRIVER to tighten the HIDDEN CAMS in the SHELF.
- ✚ NOTE: Be sure the WOOD DOWELS in the RIGHT END insert into the SHELF, RIGHT BRACE, and BOTTOMS.



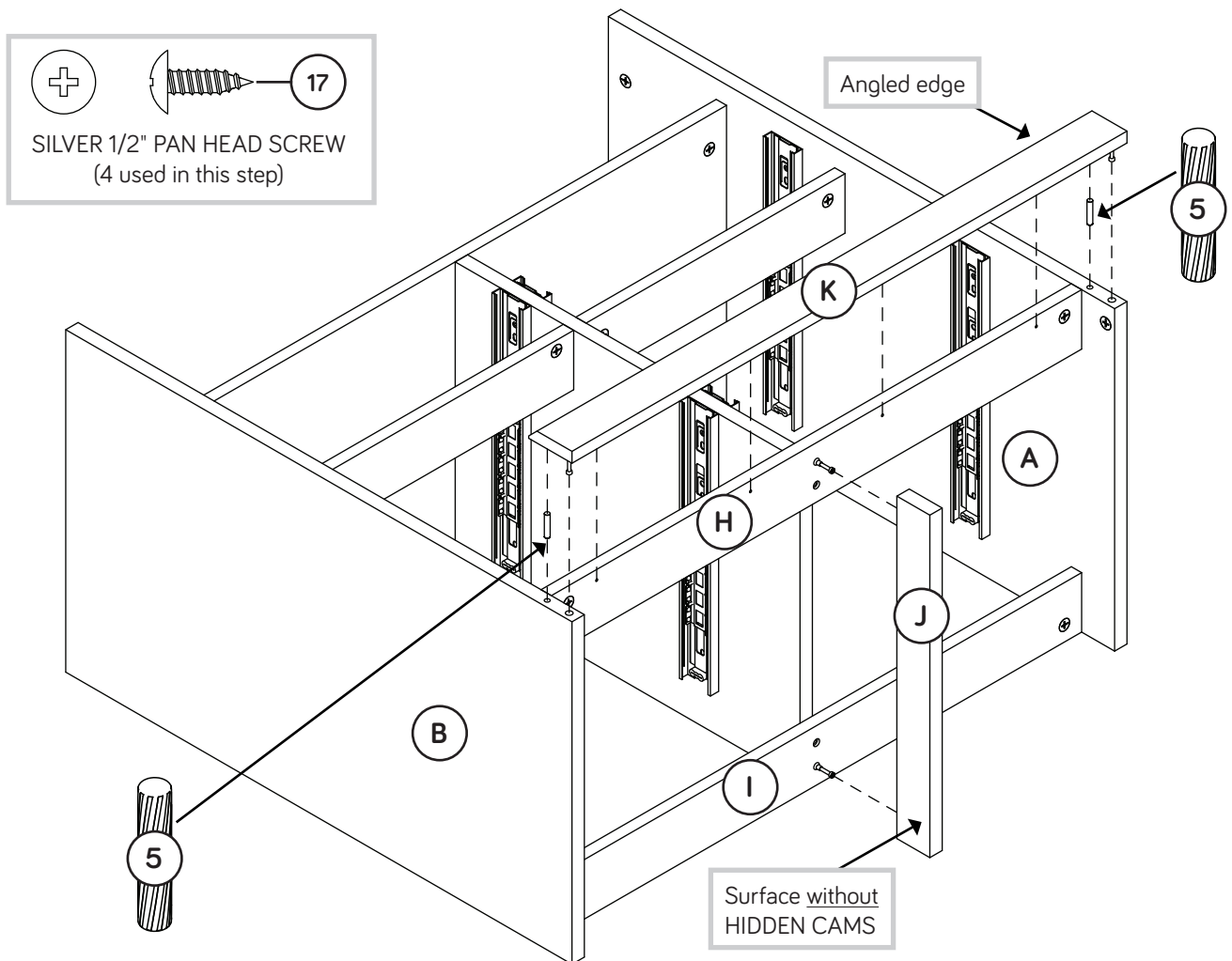
Step 8

Fasten four METAL BRACKETS (8) to the SKIRT (K) exactly as shown. Use four SILVER 1/2" PAN HEAD SCREWS (17).



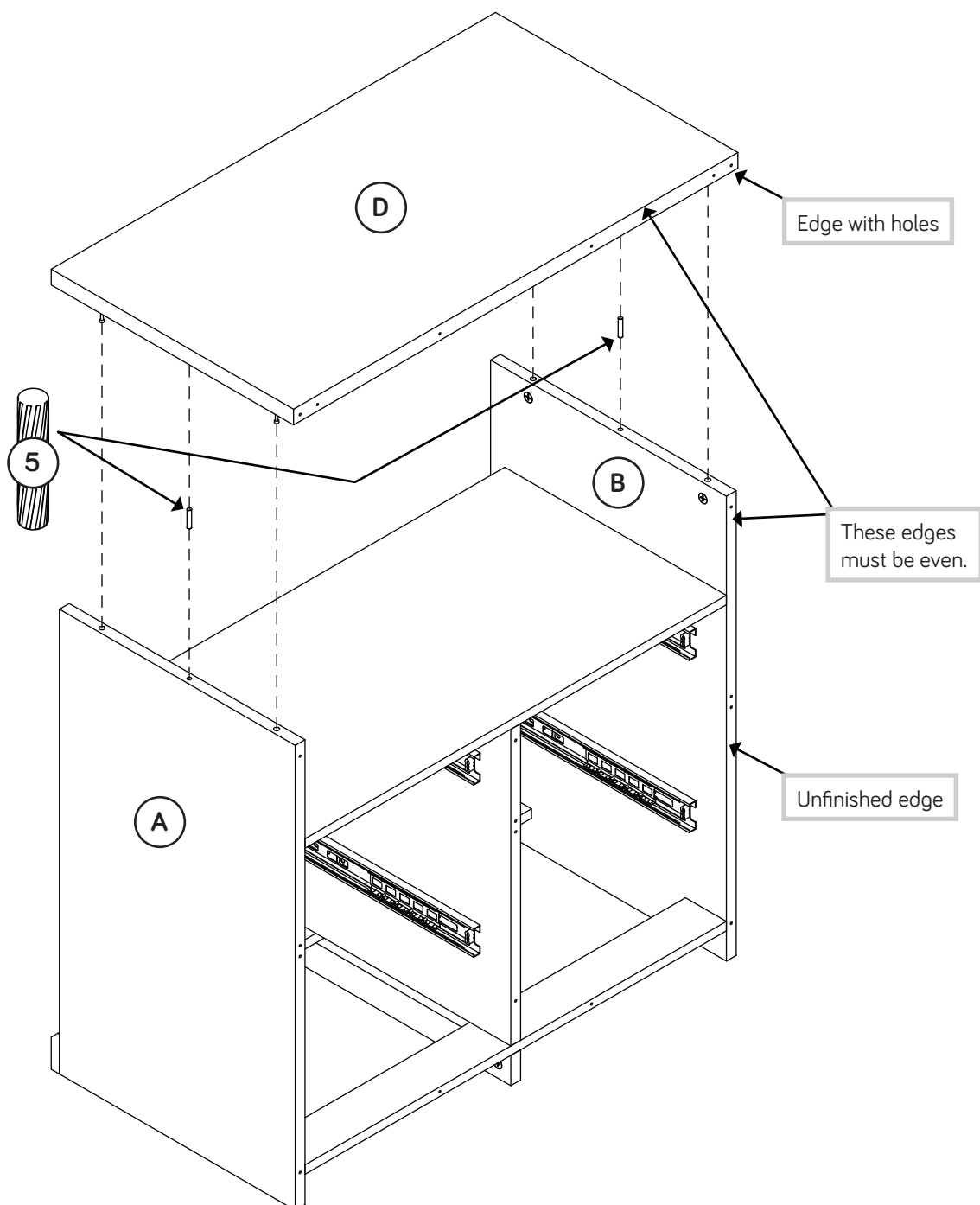
Step 9

- ✚ Insert two WOOD DOWELS (5) into the ENDS (A and B).
- ✚ Fasten the SKIRT (K) to the ENDS (A and B). Tighten two HIDDEN CAMS.
- ✚ **NOTE:** Be sure the WOOD DOWELS in the ENDS insert into the SKIRT.
- ✚ Fasten the SKIRT (K) to the FRONT BOTTOM (H). Use four SILVER 1/2" PAN HEAD SCREWS (17) through the METAL BRACKETS on the SKIRT and into the FRONT BOTTOM.
- ✚ Fasten the BOTTOM BRACE (J) to the BOTTOMS (H and I). Tighten two HIDDEN CAMS.



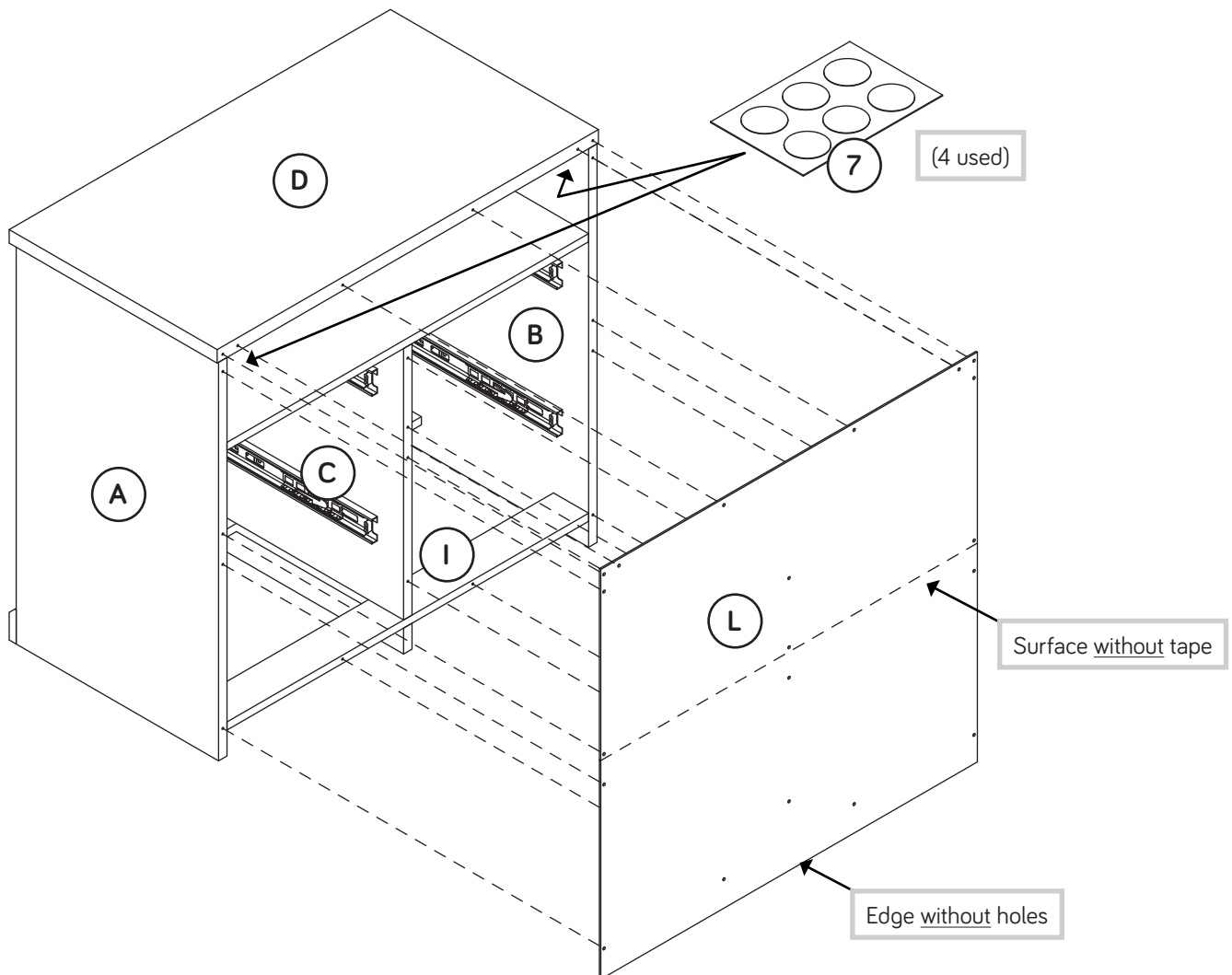
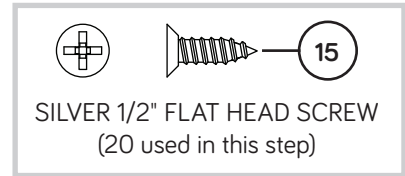
Step 10

- ✚ Carefully stand your unit upright.
- ✚ Insert two WOOD DOWELS (5) into the ENDS (A and B).
- ✚ Fasten the TOP (D) to the ENDS (A and B). Tighten four HIDDEN CAMS.
- ✚ **NOTE:** Be sure the WOOD DOWELS in the ENDS insert into the TOP.



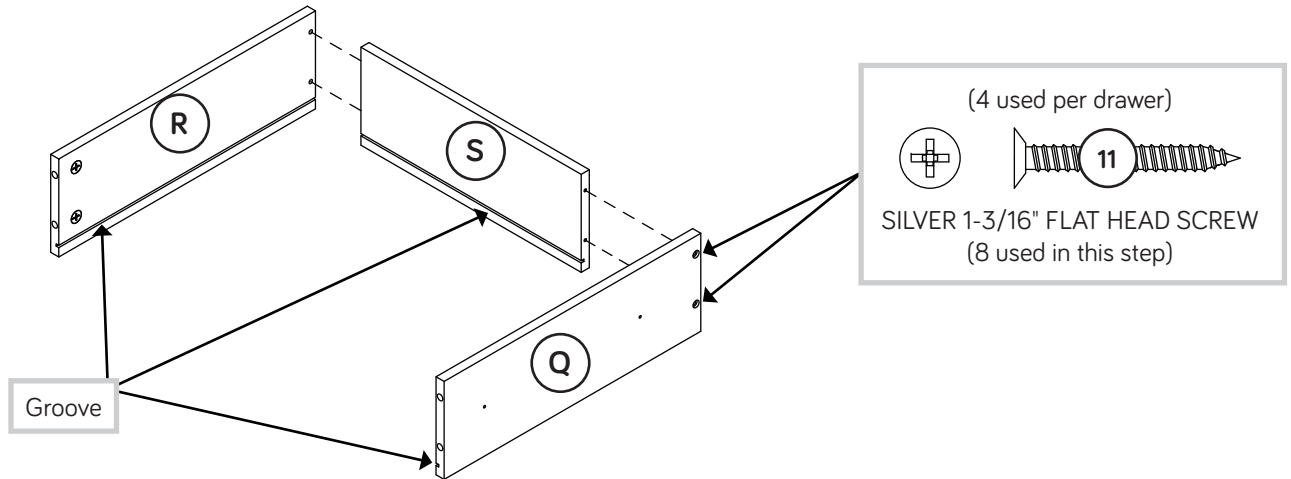
Step 11

- ✦ Peel APPLIQUES from the APPLIQUE CARD (7) and stick them onto each visible HIDDEN CAM.
- ✦ Unfold the BACK (L) and place it against your unit.
- ✦ HINT: Start the corner SCREWS first to hold up the BACK.
- ✦ Fasten the BACK (L) to the ENDS (A and B), UPRIGHT (C), TOP (D), and REAR BOTTOM (I). Use twenty SILVER 1/2" FLAT HEAD SCREWS (15).



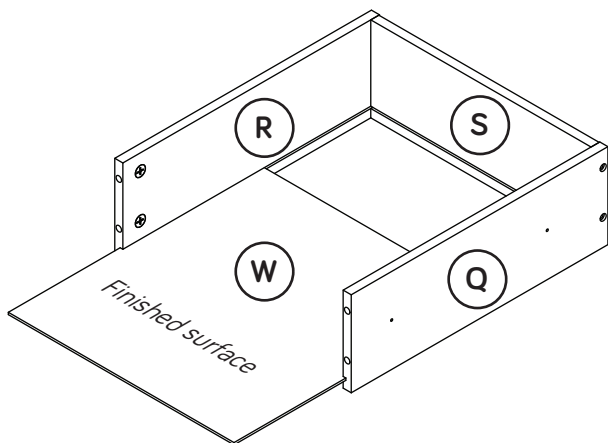
Step 12

1



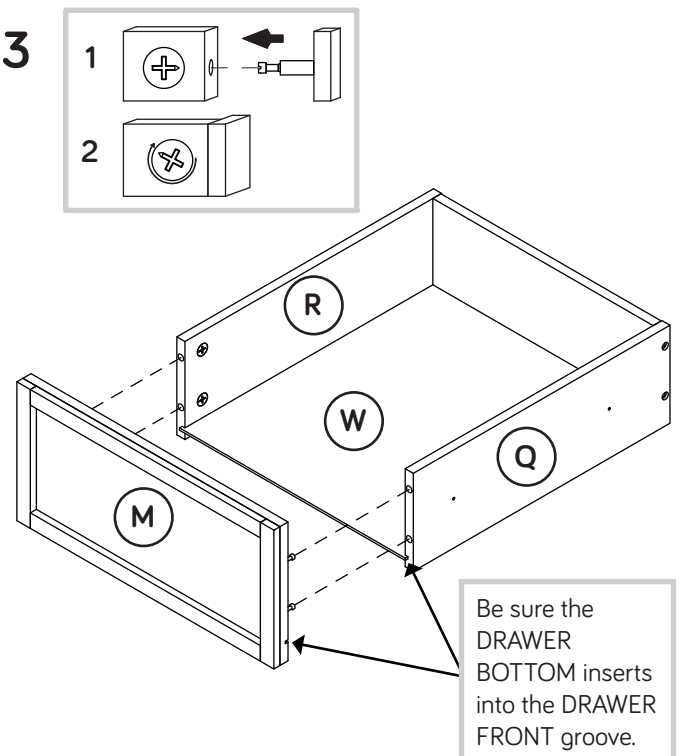
- Fasten the SMALL DRAWER SIDES (Q and R) to the SMALL DRAWER BACK (S). Use four SILVER 1-3/16" FLAT HEAD SCREWS (11).

2



- Slide the DRAWER BOTTOM (W) into the grooves in the SMALL DRAWER SIDES (Q and R) and SMALL DRAWER BACK (S).

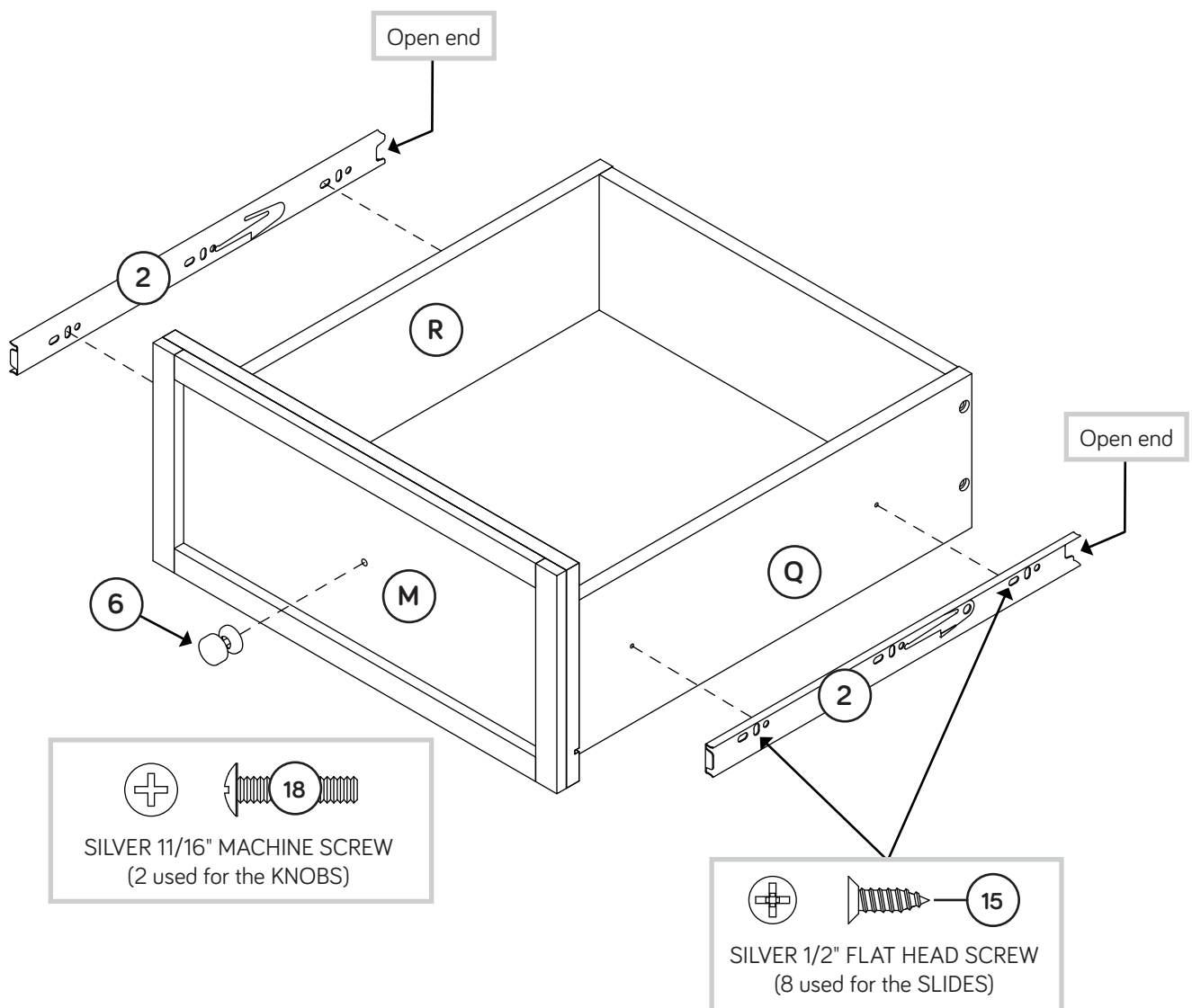
3



- Fasten the SMALL RIGHT DRAWER FRONT (M) to the SMALL DRAWER SIDES (Q and R). Tighten four HIDDEN CAMS.
- Repeat this for the other small drawer using the SMALL LEFT DRAWER FRONT (N).

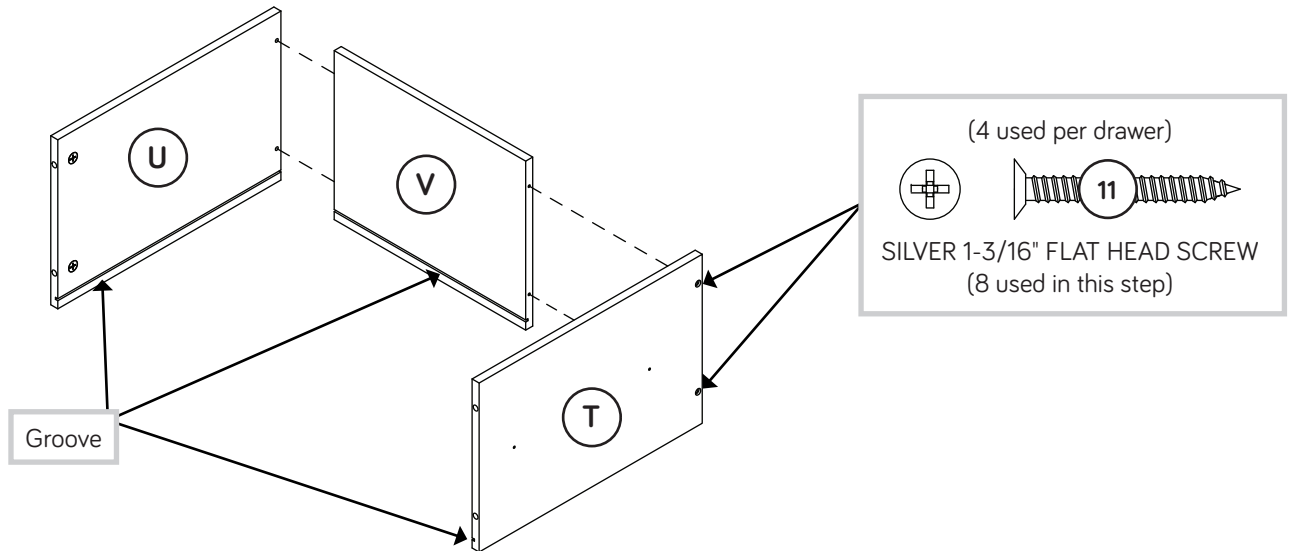
Step 13

- ✦ Fasten the EXTENSION SLIDES (2) to the SMALL DRAWER SIDES (Q and R). Use four SILVER 1/2" FLAT HEAD SCREWS (15).
- ✦ **NOTE:** Be sure to use the exact holes shown.
- ✦ Fasten a KNOB (6) to the SMALL RIGHT DRAWER FRONT (M). Use one SILVER 11/16" MACHINE SCREW (18).
- ✦ Repeat this step for the other small drawer.



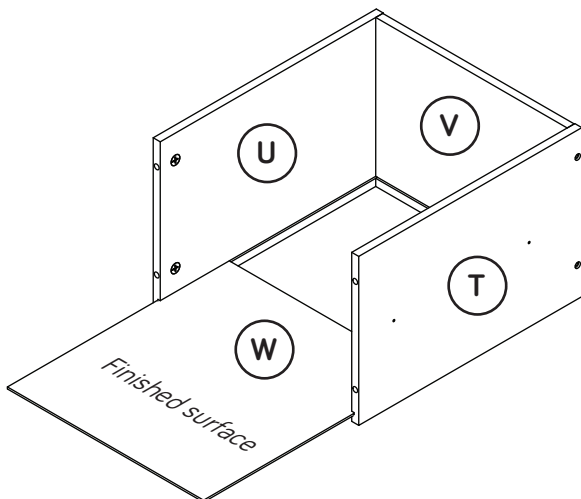
Step 14

1



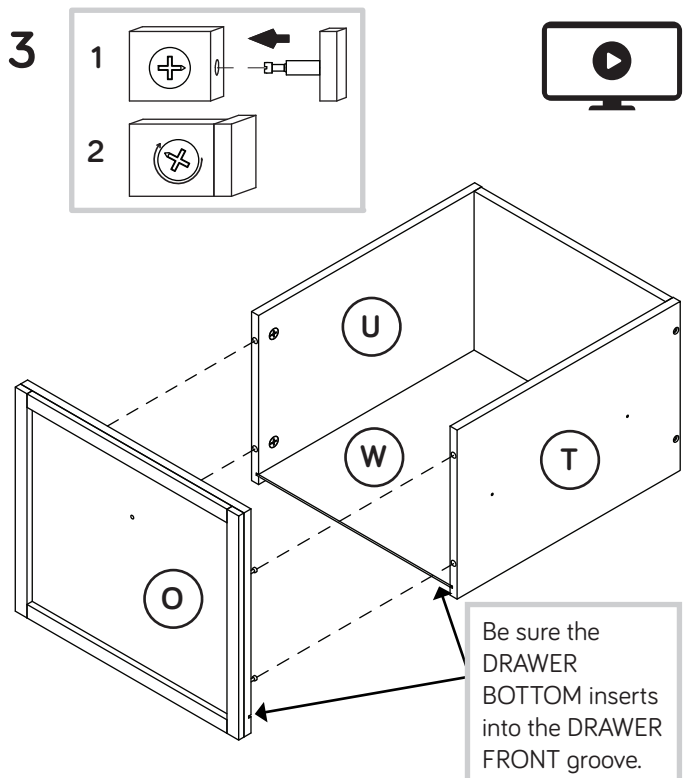
- Fasten the LARGE DRAWER SIDES (T and U) to the LARGE DRAWER BACK (V). Use four SILVER 1-3/16" FLAT HEAD SCREWS (11).

2



- Slide the DRAWER BOTTOM (W) into the grooves in the LARGE DRAWER SIDES (T and U) and LARGE DRAWER BACK (V).

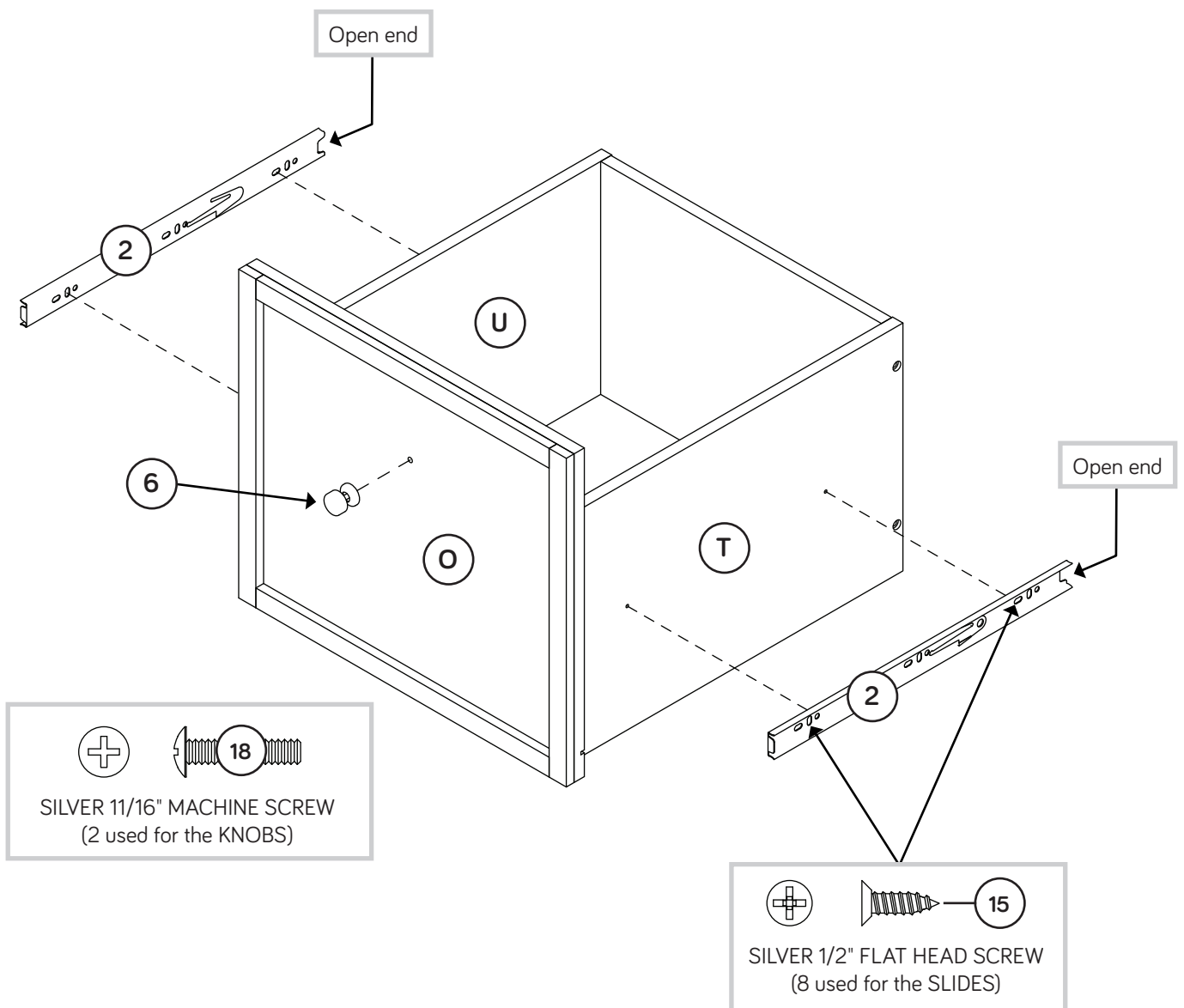
3



- Fasten the LARGE RIGHT DRAWER FRONT (O) to the LARGE DRAWER SIDES (T and U). Tighten four HIDDEN CAMS.
- Repeat this for the other large drawer using the LARGE LEFT DRAWER FRONT (P).

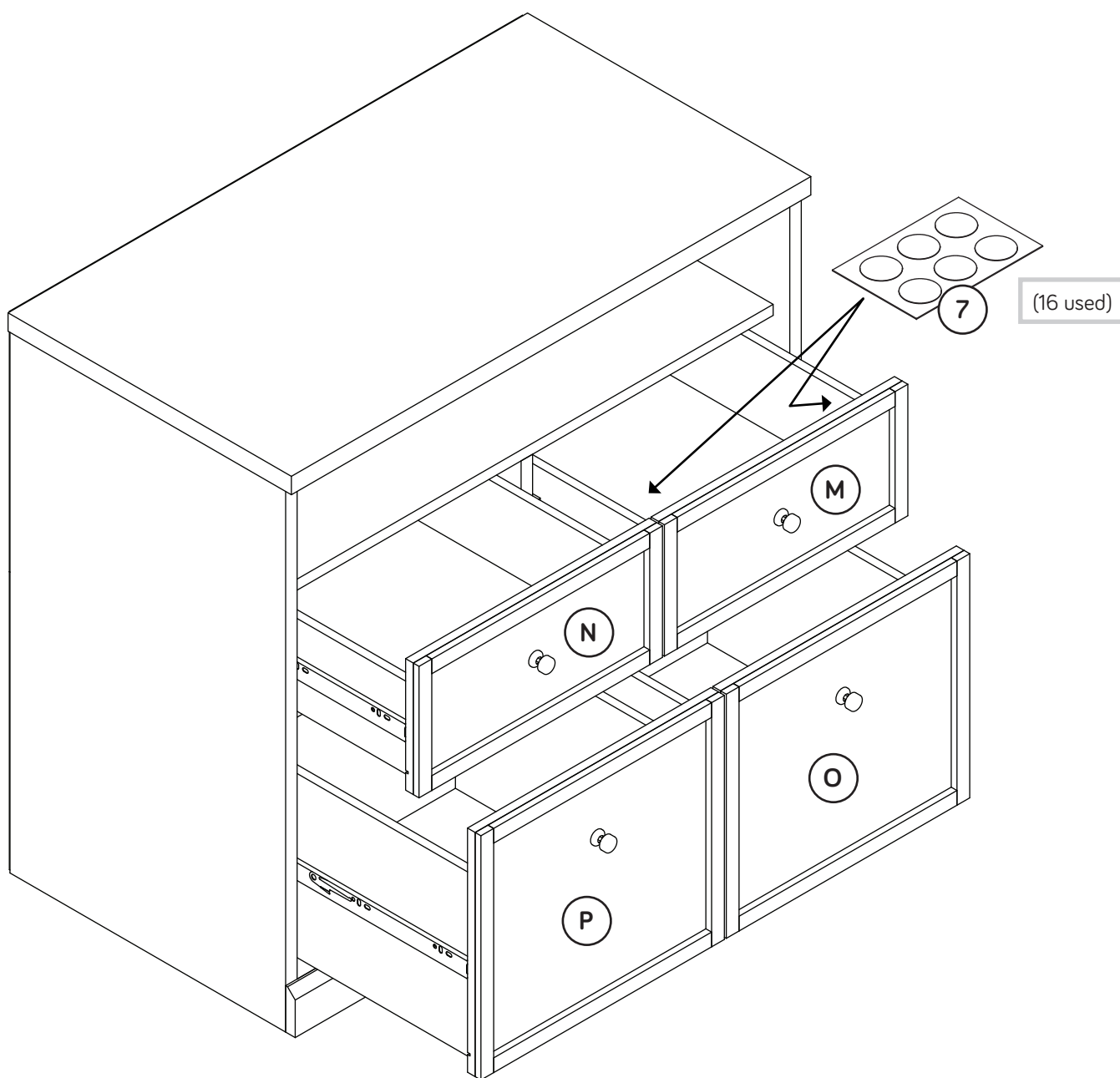
Step 15

- Fasten the EXTENSION SLIDES (2) to the LARGE DRAWER SIDES (T and U). Use four SILVER 1/2" FLAT HEAD SCREWS (15).
- NOTE:** Be sure to use the exact holes shown.
- Fasten a KNOB (6) to the LARGE RIGHT DRAWER FRONT (O). Use one SILVER 11/16" MACHINE SCREW (18).
- Repeat this step for the other large drawer.



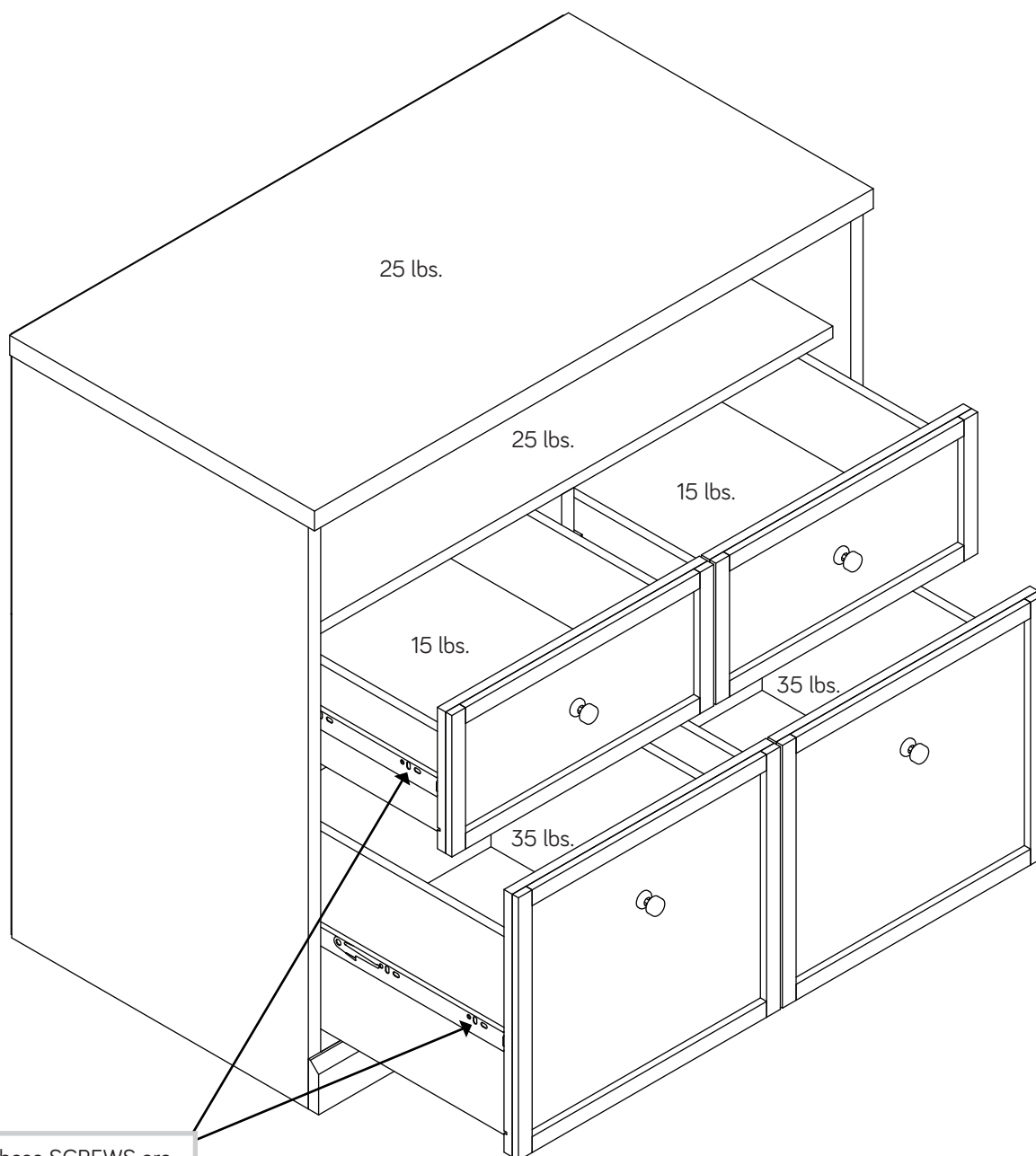
Step 16

- ✚ To insert a drawer into your unit, line up the EXTENSION SLIDES on the drawer with the EXTENSION RAILS on the unit and push the drawer into the unit until the drawer is fully inserted. The drawer will push in hard until it is all the way in, then it will slide in and out easier.
- ✚ Peel APPLIQUES from the APPLIQUE CARD (7) and stick them onto each visible HIDDEN CAM.



Step 17

- ✚ To make adjustments to the drawers, loosen the SCREWS in the EXTENSION SLIDES, make needed adjustments, and tighten the SCREWS.
- ✚ **NOTE:** Please read the back pages of the instruction booklet for important safety information.
- ✚ This completes assembly. Clean with your favorite furniture polish or a damp cloth. Wipe dry.



These SCREWS are used for DRAWER FRONT adjustments.

⚠ WARNING

Please use your furniture correctly and safely. Improper use can cause safety hazards, or damage to your furniture or household items. ***Carefully read the following chart.***

Look out for:	What can happen:	How to avoid the problem:
<ul style="list-style-type: none">• Overloaded drawers or shelves.	<ul style="list-style-type: none">• Risk of injury.• Top-heavy furniture can tip over.• Overloaded drawers or shelves can break.	<ul style="list-style-type: none">• Never exceed the weight limits shown in the instructions.• Work from bottom to top when loading shelves and drawers. Place the heavier items on the lower shelves or in lower drawers.
<ul style="list-style-type: none">• Placing TVs on furniture items that are not designed to support a television is hazardous.	<ul style="list-style-type: none">• Risk of injury or death. TVs can be very heavy. Plus the weight and location of the picture tube tends to make TVs unbalanced and prone to tipping forward.	<ul style="list-style-type: none">• This product is not designed to support a television.