

Your **holder** for all
things awesome.

Credenza

Boulevard Cafe Collection | **Model 5420667**

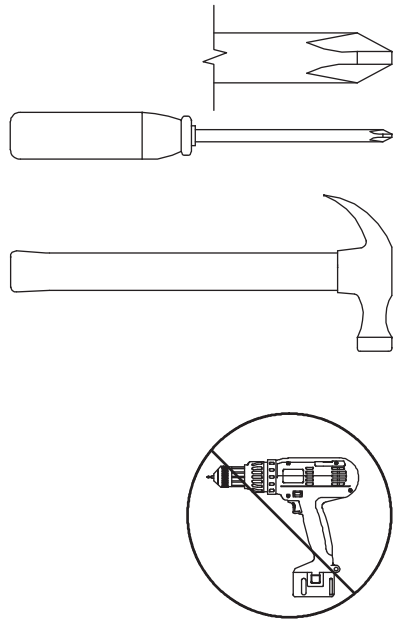
NOTE: THIS INSTRUCTION
BOOKLET CONTAINS **IMPORTANT**
SAFETY INFORMATION.

PLEASE READ AND KEEP FOR
FUTURE REFERENCE.

Table of Contents

Assembly Tools Required

Part Identification	3
Hardware Identification	4
Assembly Steps	5-28
Safety	29



No. 2 Phillips Screwdriver
Tip Shown Actual Size

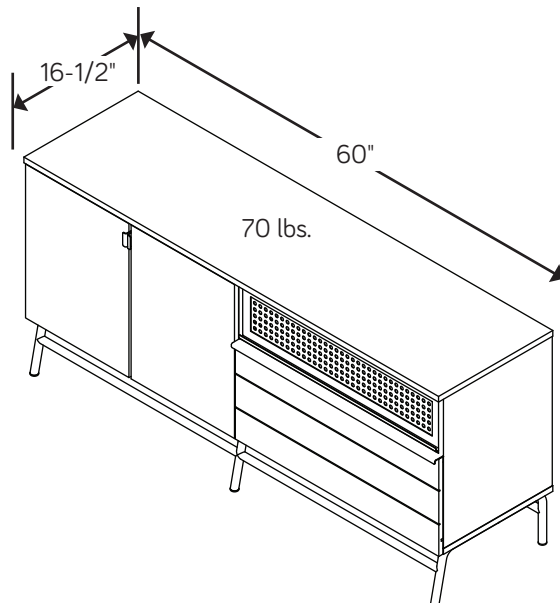
Hammer
Not actual size 😊

Skip the power trip.
This time.

⚠️ WARNING

Use of a TV that is too heavy or large is hazardous. A TV that is too heavy will create a risk of a tip-over that can cause severe injury or death. A TV that is too large for the available space might be accidentally pushed or bumped off the furniture, or subject to tip-over.

- Check the size and weight of your TV. Compare it to the diagram below – **before you begin assembly!**
- This Sauder unit is designed for use with televisions weighing less than 70 pounds. **Never** use with a TV that weighs more.
- The size of the television, front-to-back and side-to-side, must fit within the space defined in the diagram.
 - **Never** place the front edge of the TV past the front edge of the TV support shelf (or stop molding – if equipped)
 - **Never** allow the sides of the TV to extend past the side edges of the TV support surface.
 - If the TV has a CRT picture tube, the picture tube cone may extend past the rear of the support shelf.
- Be sure to apply the warning label as instructed in the last assembly step. The label provides important safety related information.



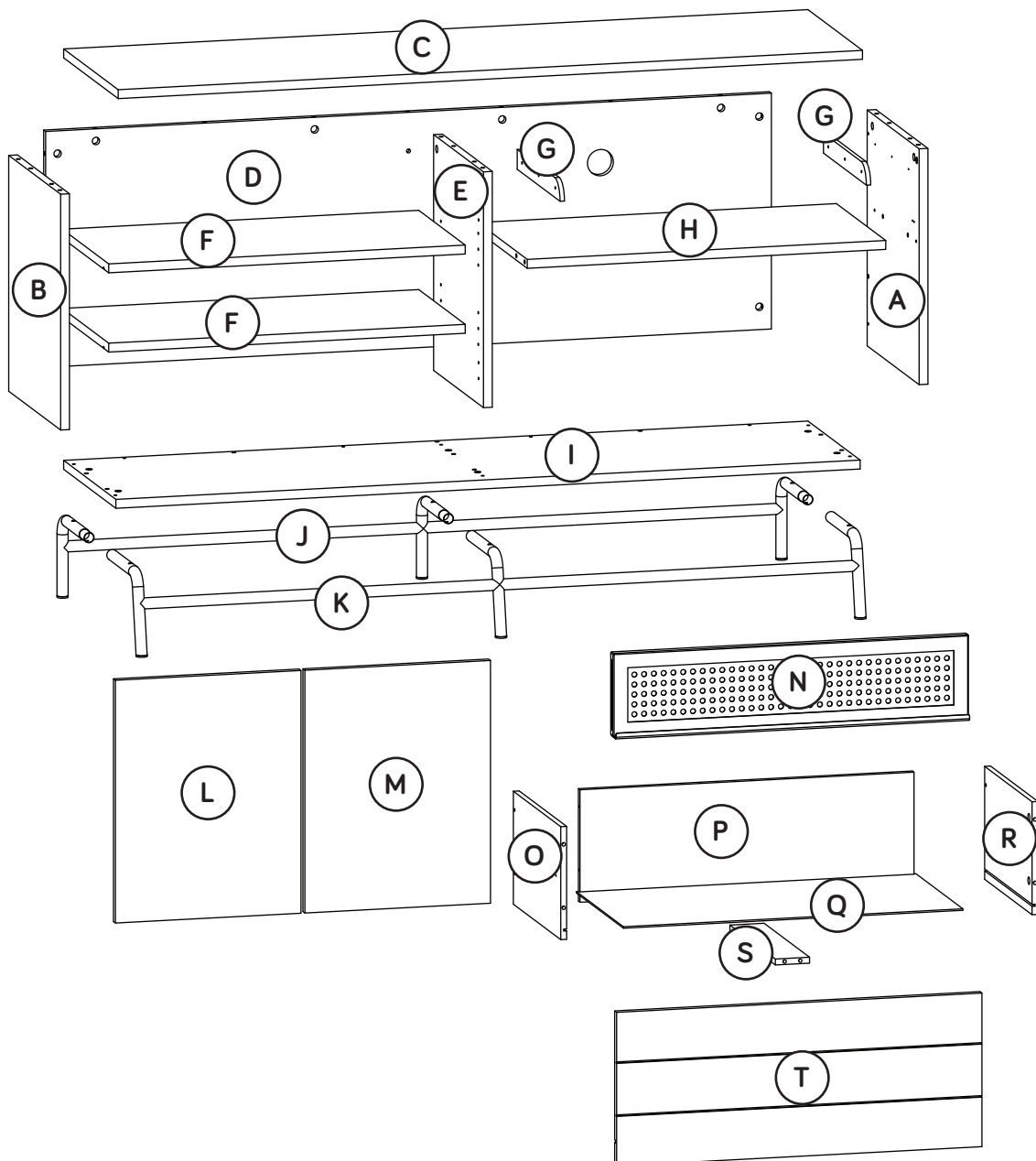
Part Identification

Now you know
our ABCs.



While not all parts are labeled, some of the parts will have a label or an inked letter on the edge to help distinguish similar parts from each other. Use this part identification to help identify similar parts.

A	RIGHT END (1)	H	SHELF (1)	O	LEFT DRAWER SIDE (1)
B	LEFT END (1)	I	BOTTOM (1)	P	DRAWER BACK (1)
C	TOP (1)	J	REAR LEG (1)	Q	DRAWER BOTTOM (1)
D	BACK (1)	K	FRONT LEG (1)	R	RIGHT DRAWER SIDE (1)
E	UPRIGHT (1)	L	LEFT DOOR (1)	S	DRAWER BRACE (1)
F	ADJUSTABLE SHELF (2)	M	RIGHT DOOR (1)	T	DRAWER FRONT (1)
G	DOOR RAIL (2)	N	FLIP UP DOOR (1)		



Hardware Identification

↑ Screws are shown actual size. You may receive extra hardware with your unit.

1 EXTENSION RAIL - 2
 2 EXTENSION SLIDE - 2
 3 LARGE HIDDEN CAM - 18
 4 SMALL HIDDEN CAM - 6

(EXTENSION SET SHOWN SEPARATED)

5 ANGLED HEAD CAM SCREW - 18
 6 STRAIGHT HEAD CAM SCREW - 6
 7 WOOD DOWEL - 29
 8 METAL PIN - 8
 9 THREADED PIN - 2

Angled head Straight head

10 DOOR STOP - 2
 11 GROMMET WITH CAP - 2
 12 HINGE BRACKET - 4
 13 HINGE - 4
 14 CAM COVER CARD - 1

15 DOOR PULL - 2
 16 PULL - 1
 24 WARNING LABEL - 1
 25 ALLEN WRENCH - 1

⚠ WARNING • ADVERTENCIA • AVERTISSEMENT ⚠

Never use this furniture with a TV that is too large or too heavy. Severe injury or death can occur. The TV and furniture will be unstable and may tip.

• The TV must weigh less than 70 lbs. • The base of the TV must be able to sit completely on the shelf.

Refer to instruction book for complete safety information.

Note: This is a permanent label. Do not try to remove. Surface will be damaged.

Nunca use este mueble con un televisor que sea demasiado grande o demasiado pesado. Podría producirse una lesión grave hasta la muerte. El televisor y el mueble serán inestables y pueden volcarse.

• El televisor debe pesar 31,75 kg o menos. • La base del televisor debe poder colocarse completamente sobre este estante.

Consulte el manual de instrucciones para información completa sobre la seguridad.

Note: Este etiquete es permanente. No intente quitarlo. Causará daño a la superficie.

Néanmoins utiliser ce meuble avec un téléviseur qui soit trop large ou trop lourd. Risque de provoquer des blessures graves, voire mortelles. Le téléviseur et le meuble seront instables et risquent de se renverser.

• Le téléviseur doit peser 31,75 kg ou moins. • La base du téléviseur doit pouvoir être placée complètement sur cet étagère.

Consultez le manuel d'instructions pour l'information complète concernant la sécurité.

Remarque: Cette étiquette est permanente. Ne pas essayer de la retirer. Causera des dommages à la surface.

(Refer to the step 23 for proper location and application)

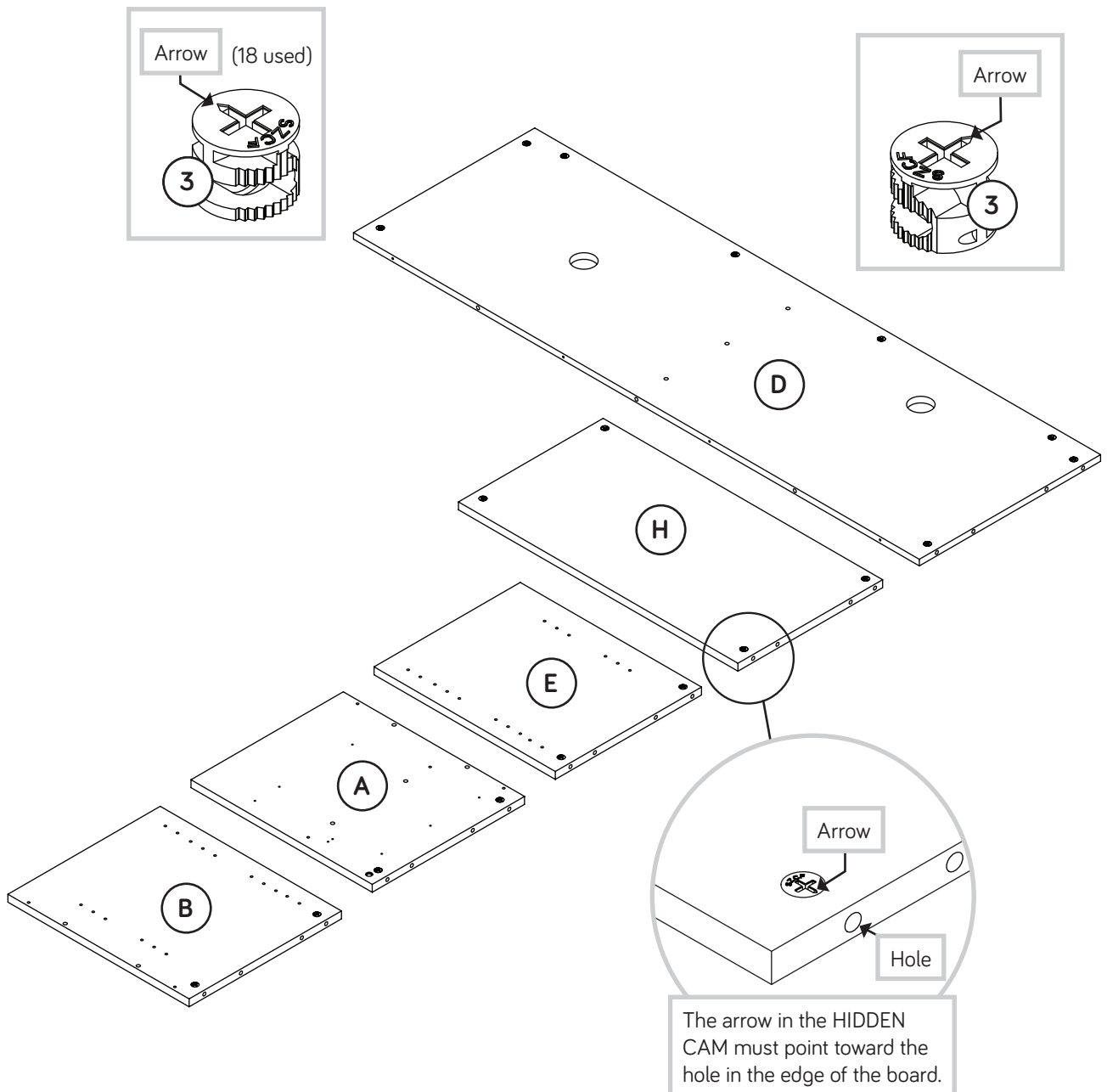
17 BLACK 1-1/2" ALLEN HEAD SCREW - 6
 18 BLACK 1-1/2" FLAT HEAD SCREW - 16

19 BLACK 1" FLAT HEAD SCREW - 6
 20 BLACK 1/2" ALLEN HEAD SCREW - 3

21 SILVER 1/2" FLAT HEAD SCREW - 8
 22 BLACK 1/2" FLAT HEAD SCREW - 8
 23 BLACK 1/2" PAN HEAD SCREW - 16

Step 1

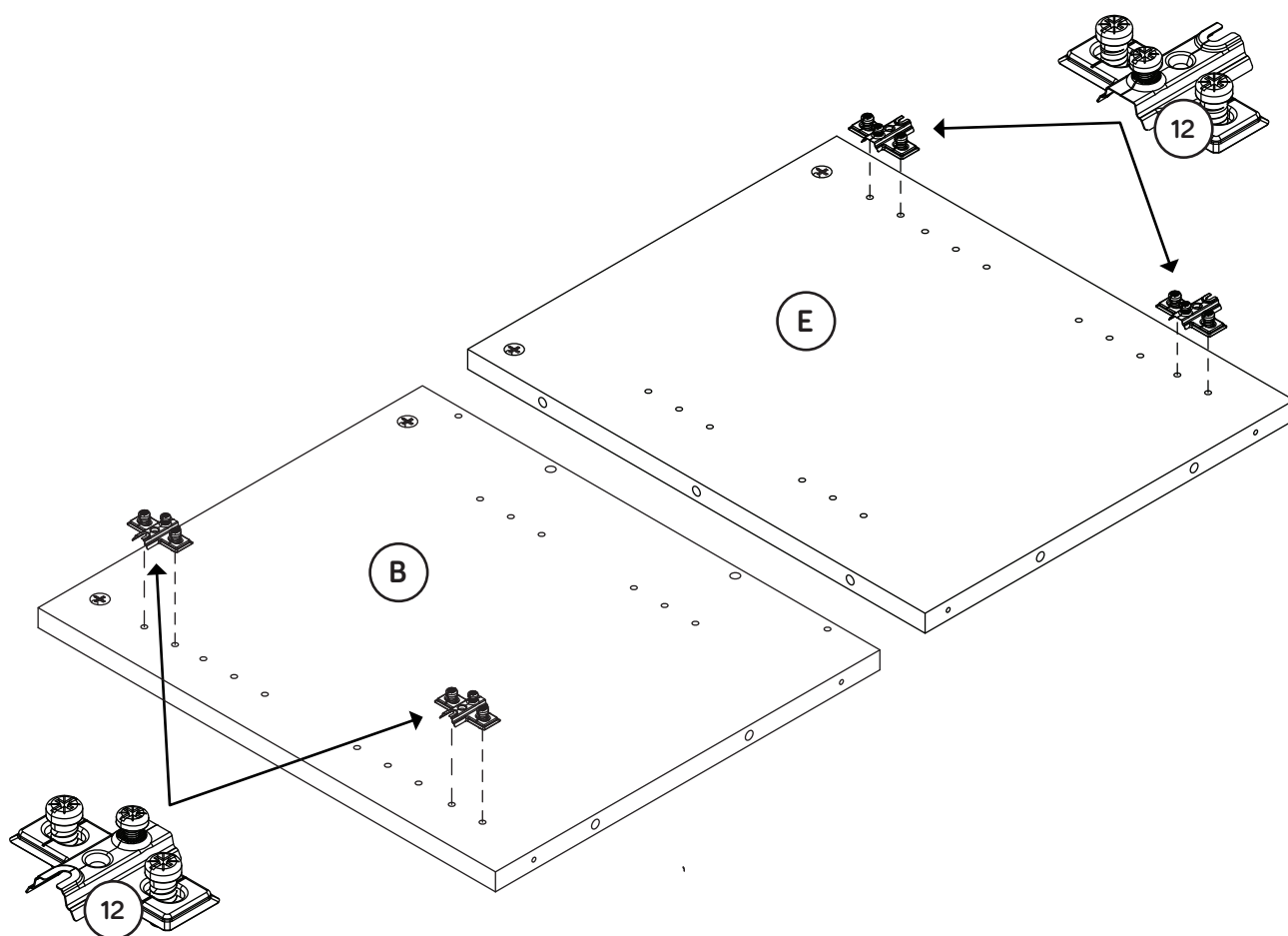
- ✚ Assemble your unit on a carpeted floor or on the empty carton to avoid scratching your unit or the floor.
- ✚ Push eighteen LARGE HIDDEN CAMS (3) into the ENDS (A and B), BACK (D), UPRIGHT (E), and SHELF (H).



Step 2

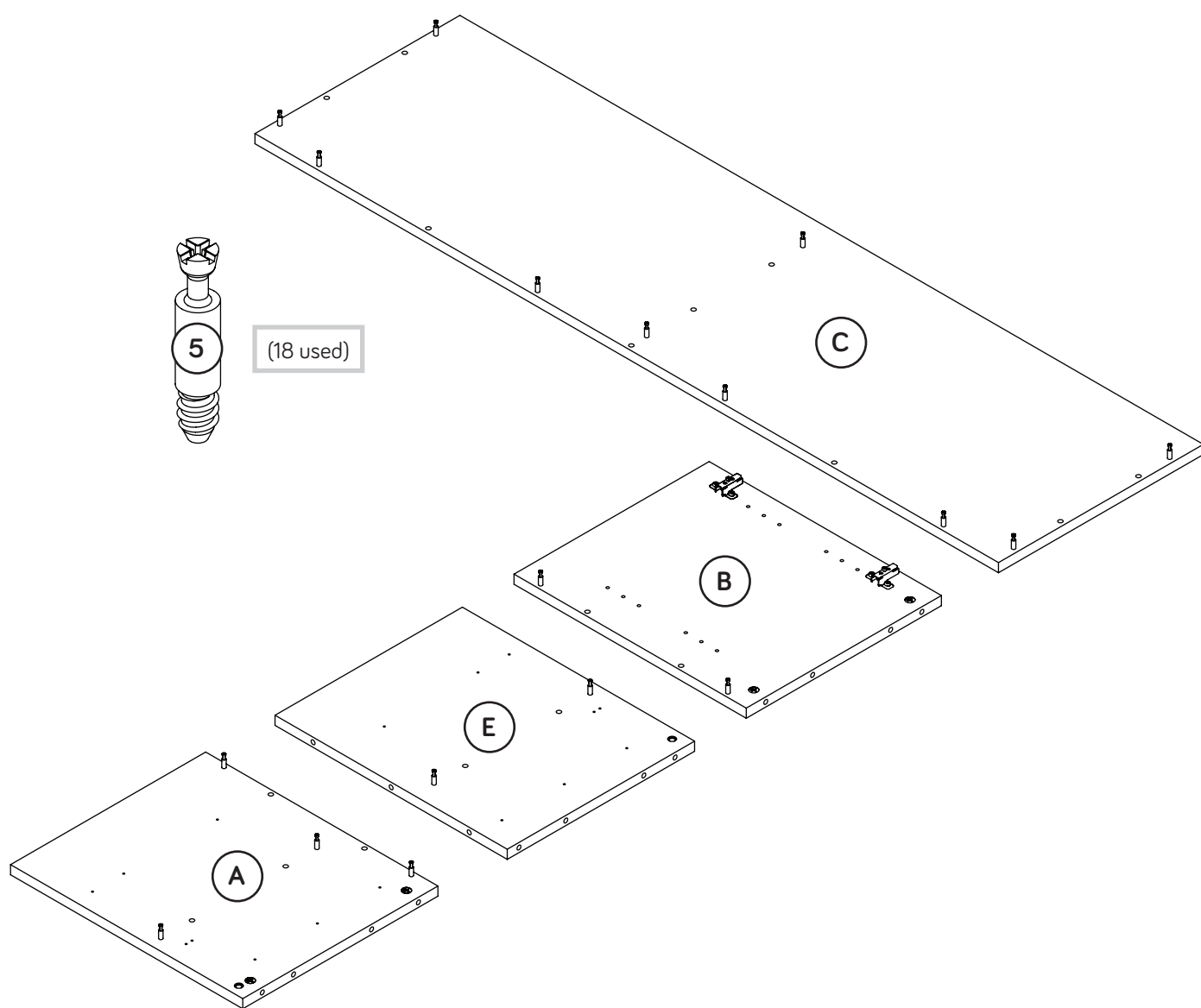
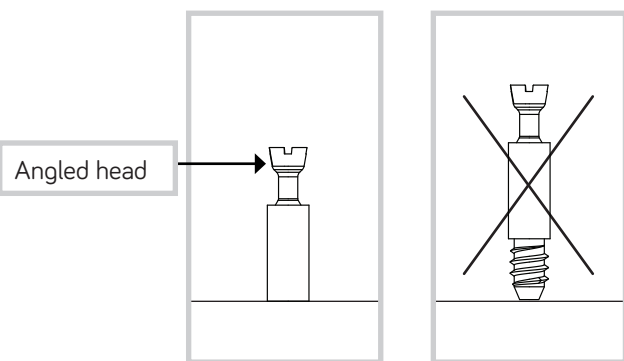
✚ Fasten the HINGE BRACKETS (12) to the LEFT END (B) and UPRIGHT (E). Use the screws in the HINGE BRACKETS.

✚ NOTE: Be sure to use the exact holes shown.



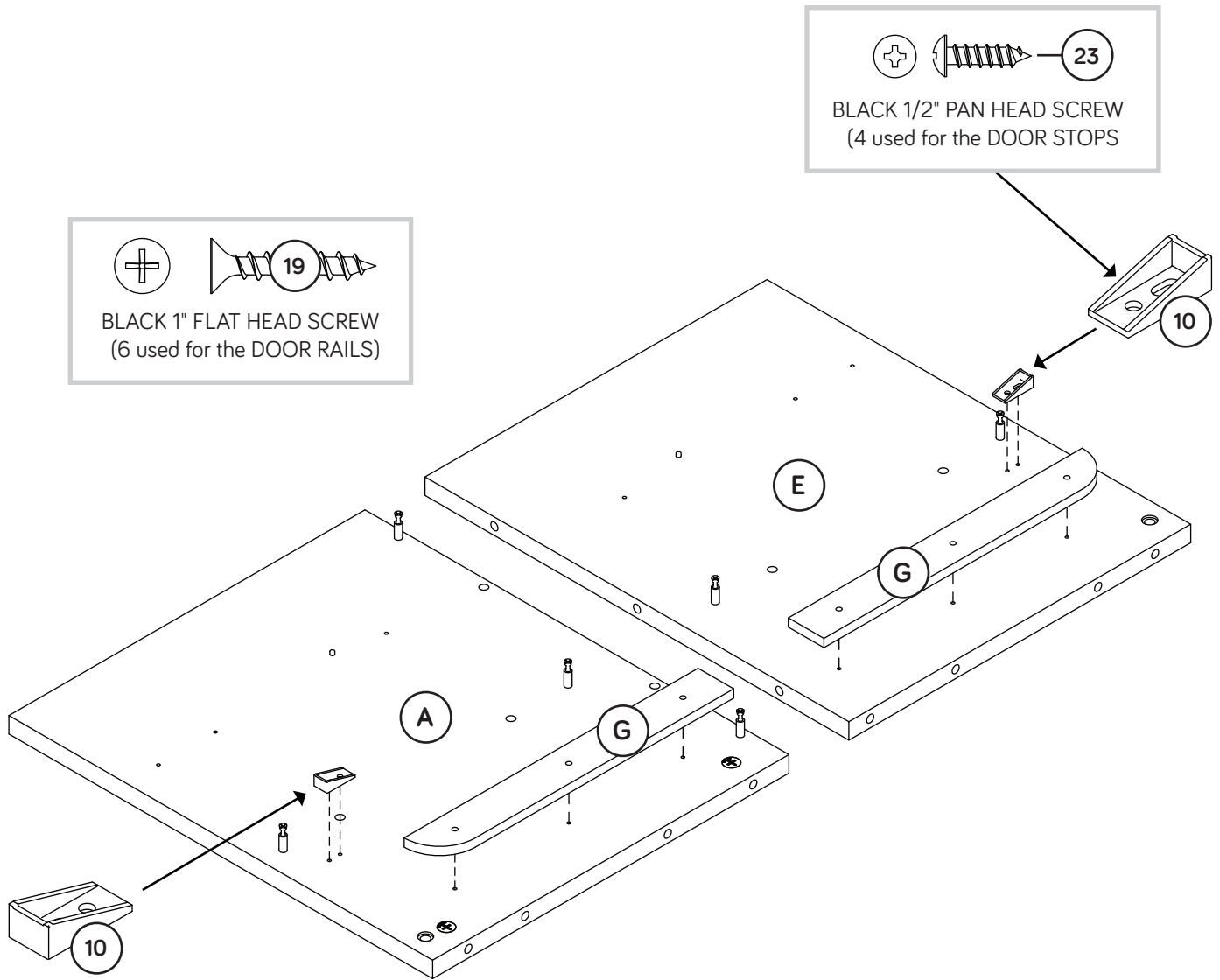
Step 3

- Turn eighteen ANGLED HEAD CAM SCREWS (5) into the ENDS (A and B), TOP (C), and UPRIGHT (E).



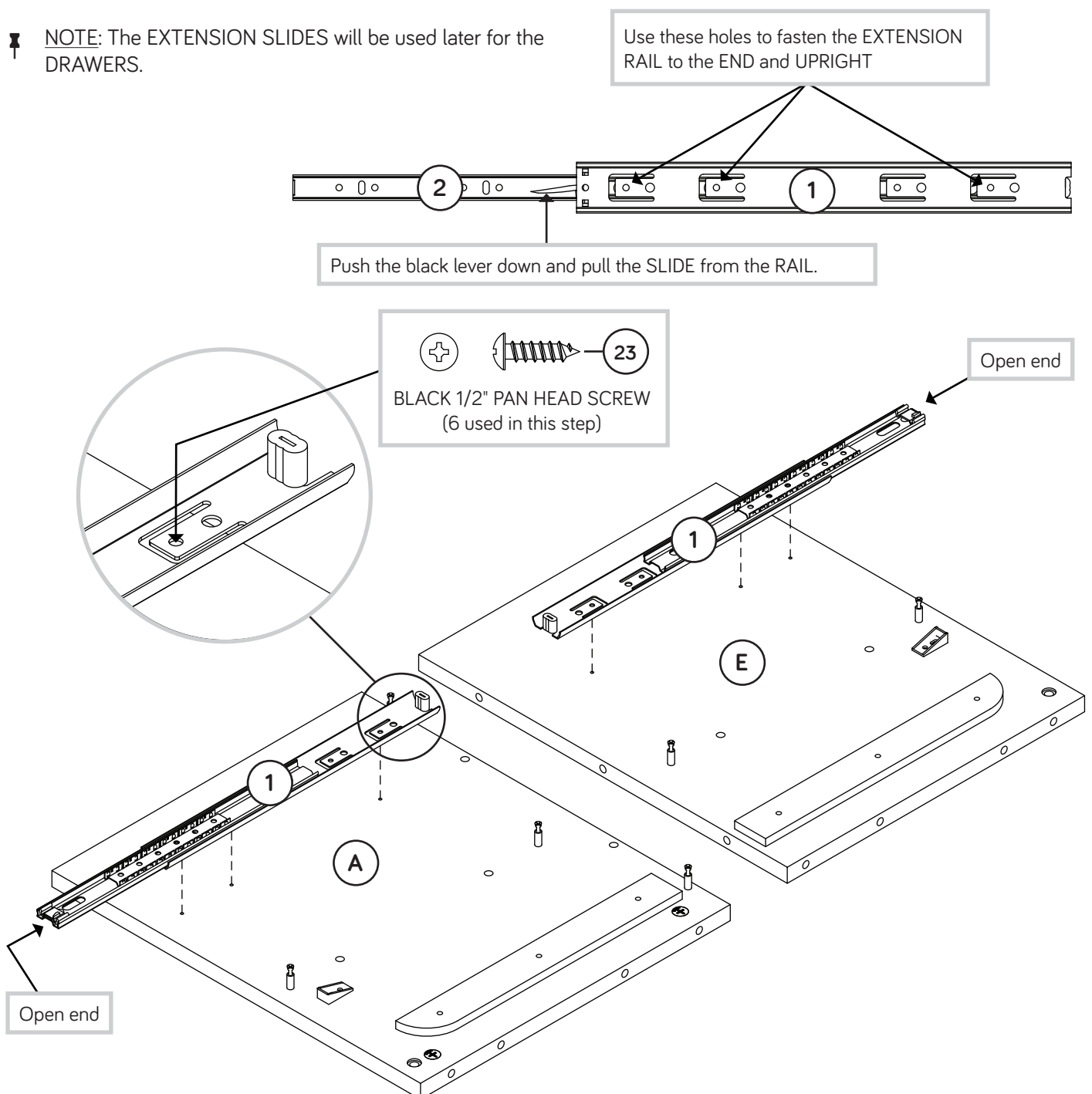
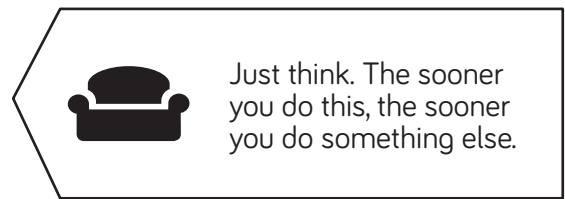
Step 4

- Fasten the DOOR RAILS (G) to the RIGHT END (A) and UPRIGHT (E). Use six BLACK 1" FLAT HEAD SCREWS (19).
- Fasten the DOOR STOPS (10) to the RIGHT END (A) and UPRIGHT (E). Use four BLACK 1/2" PAN HEAD SCREWS (23).



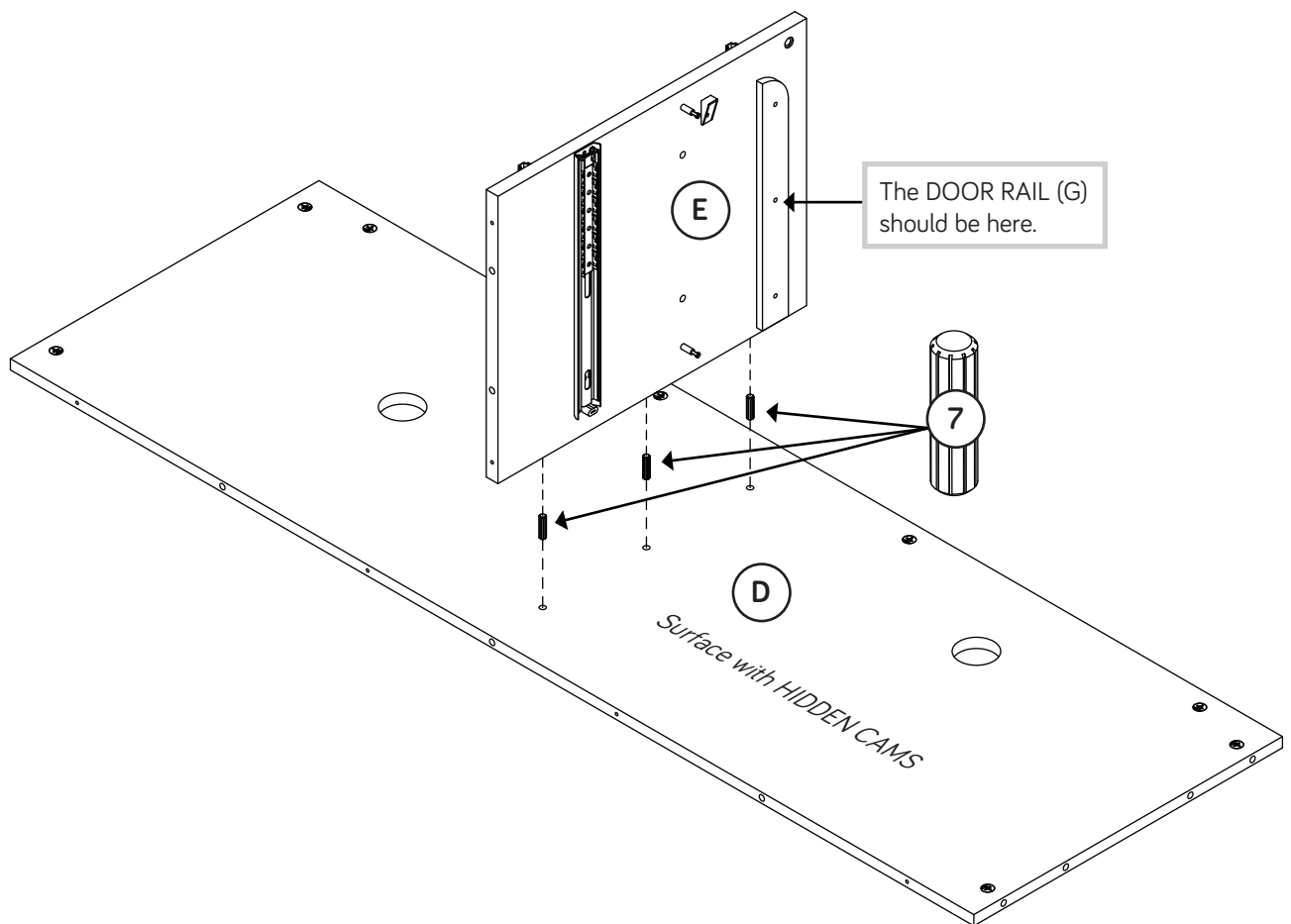
Step 5

- ✦ Separate the EXTENSION SLIDES (2) from the EXTENSION RAILS (1) as shown in the upper diagram below. Be prepared, the parts are greasy.
- ✦ Fasten the EXTENSION RAILS (1) to the RIGHT END (A) and UPRIGHT (E). Use six BLACK 1/2" FLAT HEAD SCREWS (23).
- ✦ **NOTE:** For each EXTENSION RAIL, turn a SCREW into the hole shown in the enlarged diagram. Then, slide the inner cartridge of the EXTENSION RAIL in to find the other holes that lines up with the holes in the END and UPRIGHT. Turn a SCREW into these holes.
- ✦ **NOTE:** The EXTENSION SLIDES will be used later for the DRAWERS.



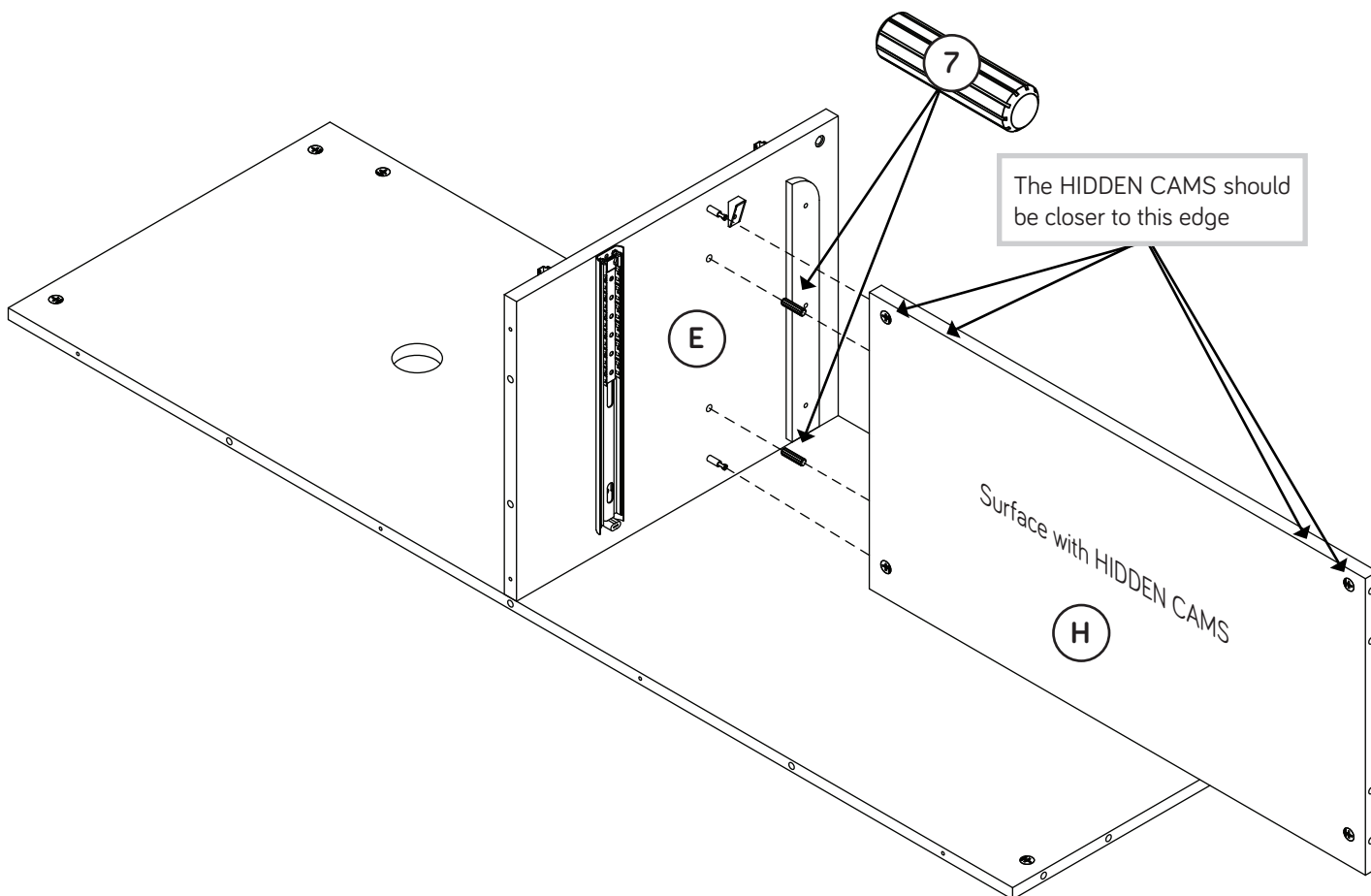
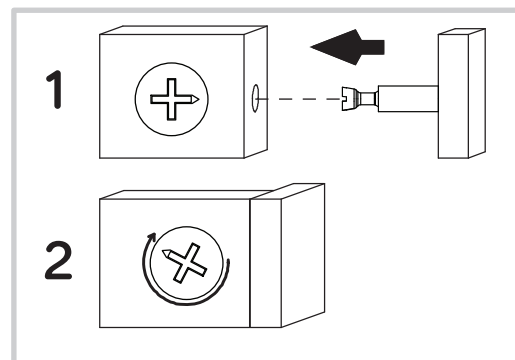
Step 6

- ✚ Insert three WOOD DOWELS (7) into the BACK (D).
- ✚ Fasten the UPRIGHT (E) to the BACK (D), by placing the back edge of the UPRIGHT over the WOOD DOWELS (7).



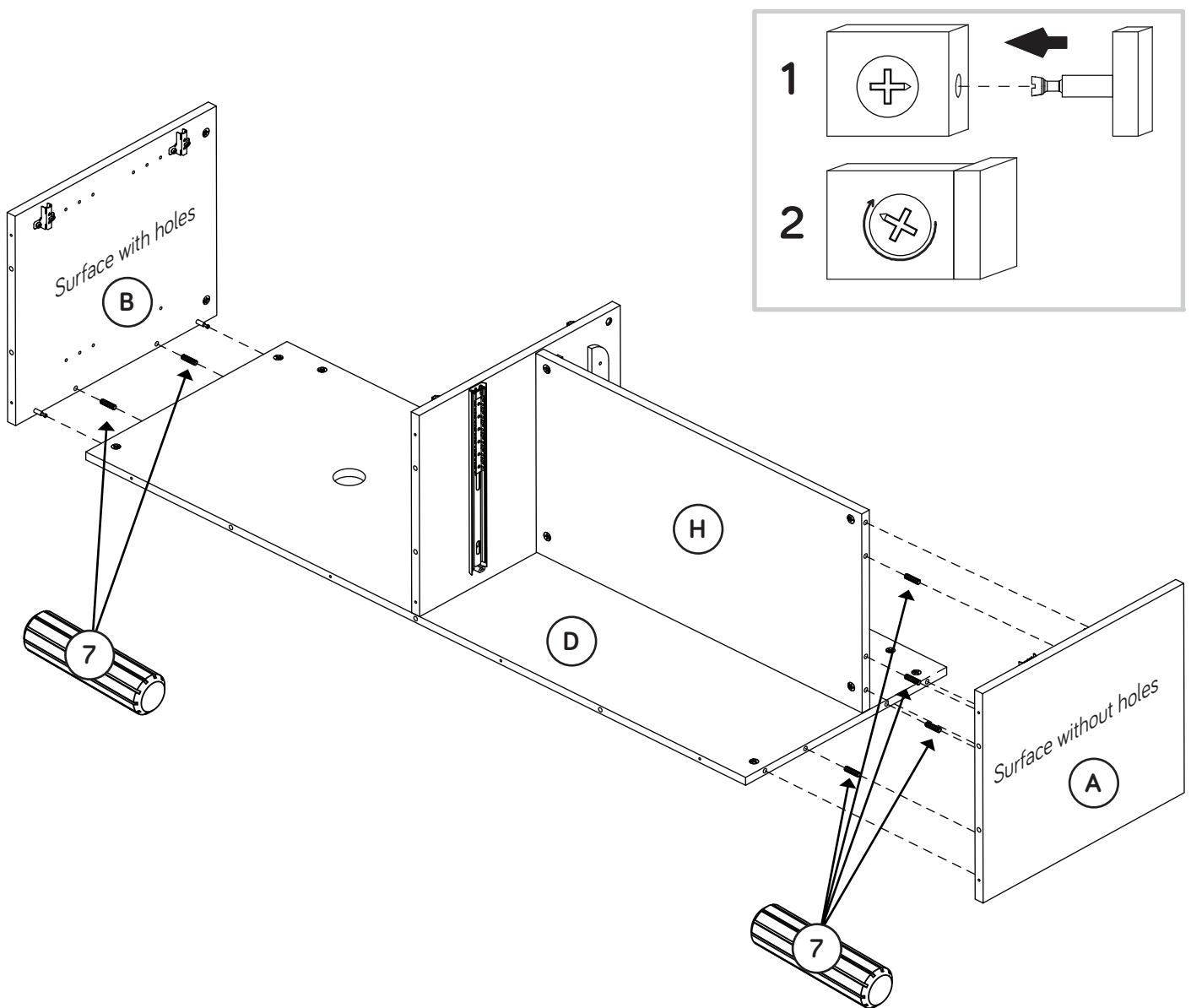
Step 7

- ✚ Insert two WOOD DOWELS (7) into the UPRIGHT (E).
- ✚ Fasten the SHELF (H) to the UPRIGHT (E). Tighten two HIDDEN CAMS.
- ✚ **NOTE:** Be sure the WOOD DOWELS in the UPRIGHT insert into the holes in the SHELF.



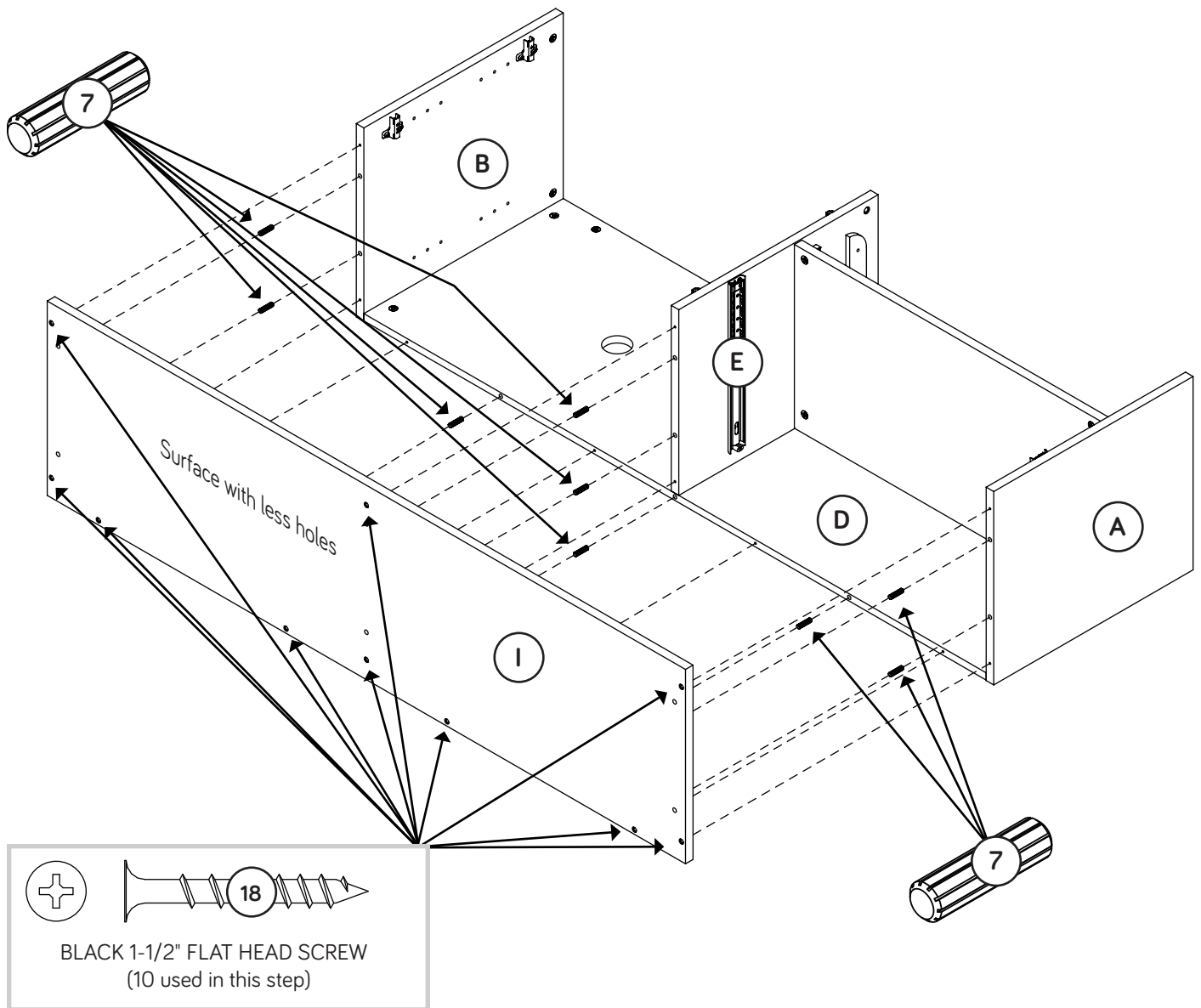
Step 8

- ✚ Insert two WOOD DOWELS (7) into the LEFT END (B).
- ✚ Fasten the LEFT END (B) to the BACK (D). Tighten two HIDDEN CAMS.
- ✚ NOTE: Be sure the WOOD DOWELS in the LEFT END insert into the BACK (D).
- ✚ Insert four WOOD DOWELS (7) into the RIGHT END (A).
- ✚ Fasten the RIGHT END (A) to the BACK (D) and SHELF (H). Tighten four HIDDEN CAMS.
- ✚ NOTE: Be sure the WOOD DOWELS in the RIGHT END insert into the BACK and SHELF.



Step 9

- ✚ Insert nine WOOD DOWELS (7) into the edges of the ENDS (A and B), BACK (D) and UPRIGHT (E).
- ✚ Fasten the BOTTOM (I) to the ENDS (A and B), BACK (D) and UPRIGHT (E). Use ten BLACK 1-1/2" FLAT HEAD SCREWS (18).
- ✚ **NOTE:** Be sure the WOOD DOWELS in the ENDS, BACK and UPRIGHT insert into the holes in the BOTTOM.



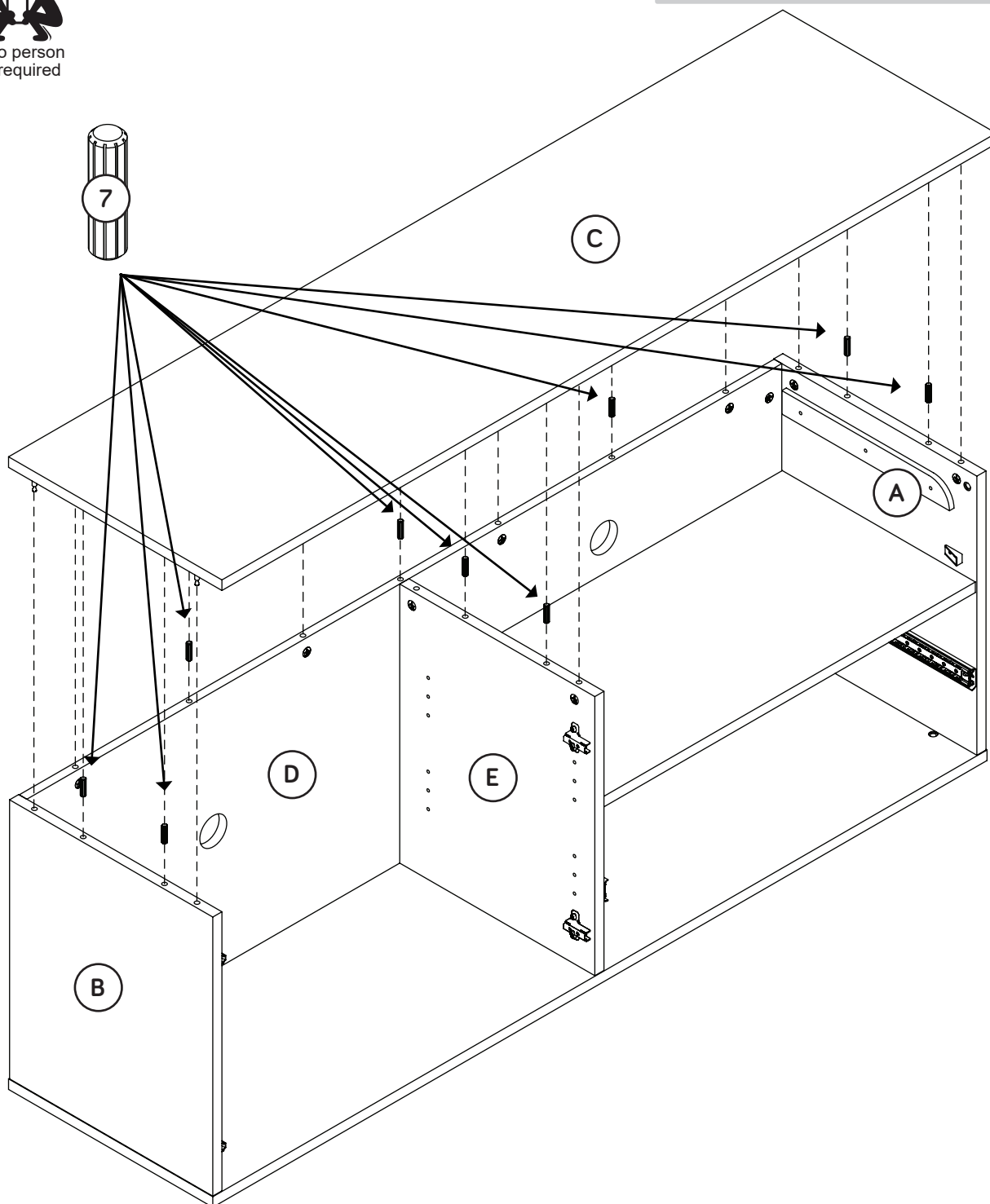
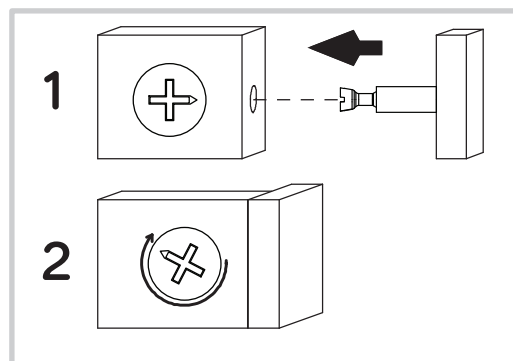
Step 10

- ✚ With the help of another person, carefully stand your unit upright.
- ✚ Insert nine WOOD DOWELS (7) into the TOP (C).
- ✚ Fasten the TOP (C) to the ENDS (A and B), BACK (D), and UPRIGHT (E). Tighten eight HIDDEN CAMS.

Caution

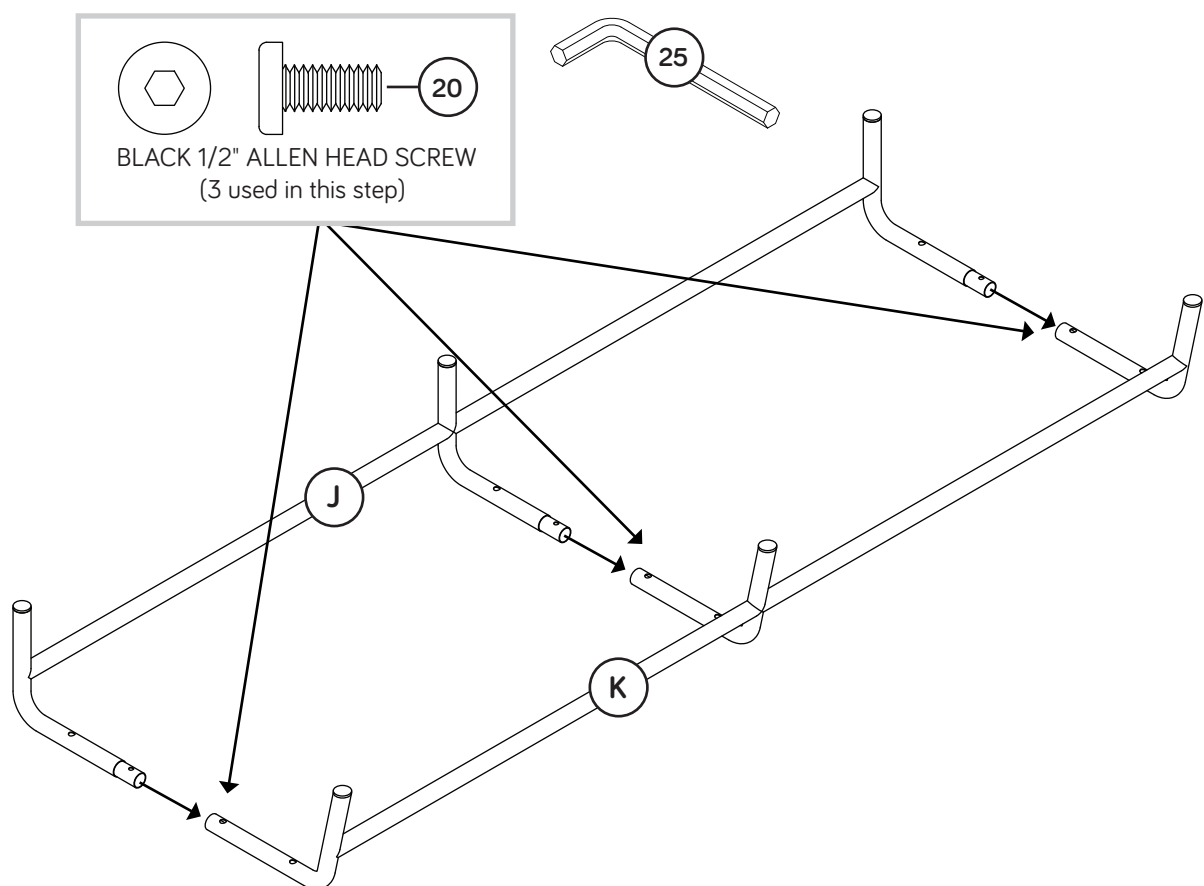


Two person lift required



Step 11

- Fasten the REAR LEG (J) to the FRONT LEG (K). Use three BLACK 1/2" ALLEN HEAD SCREWS (20) and the ALLEN WRENCH (25).



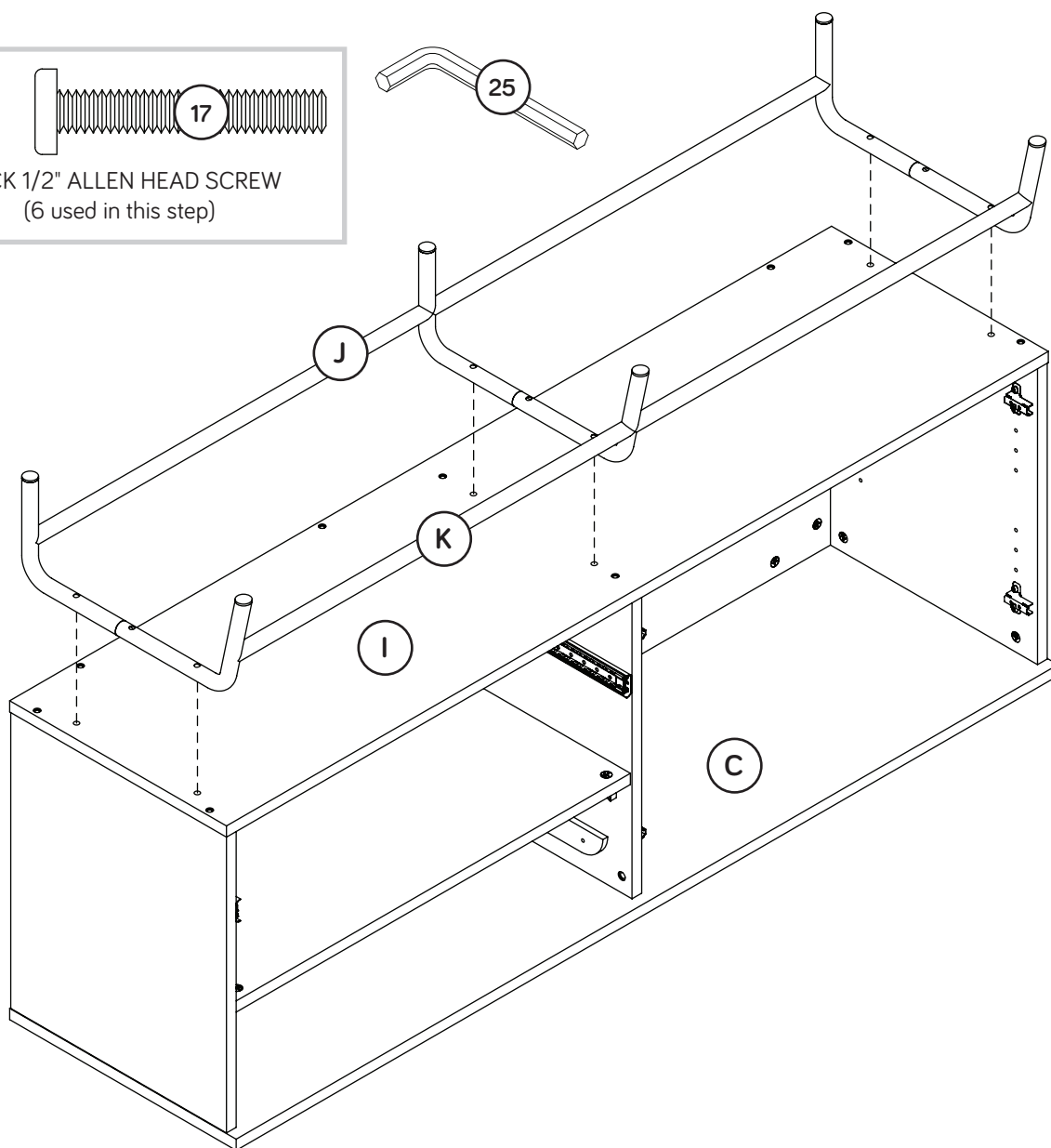
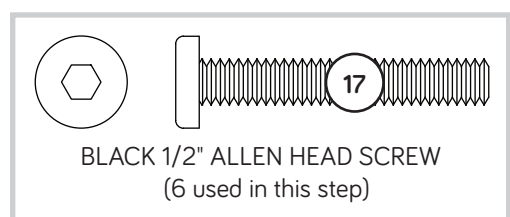
Step 12

- ✦ With the help of another person, carefully flip your unit onto its TOP (C).
- ✦ Fasten the LEGS (J and K) to the BOTTOM (I). Use six BLACK 1-1/2" ALLEN HEAD SCREWS (17) and the ALLEN WRENCH (25).

Caution

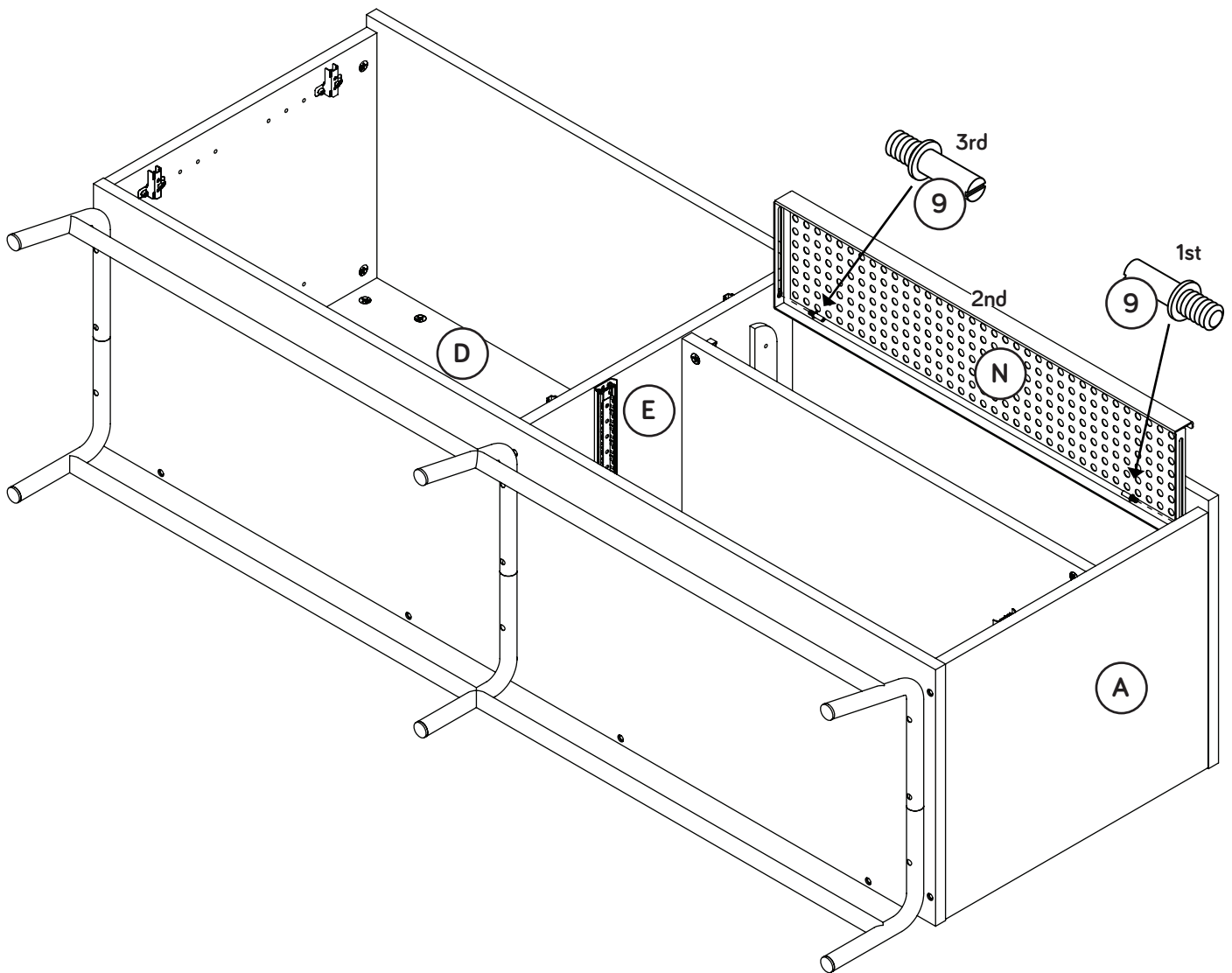


Two person lift required



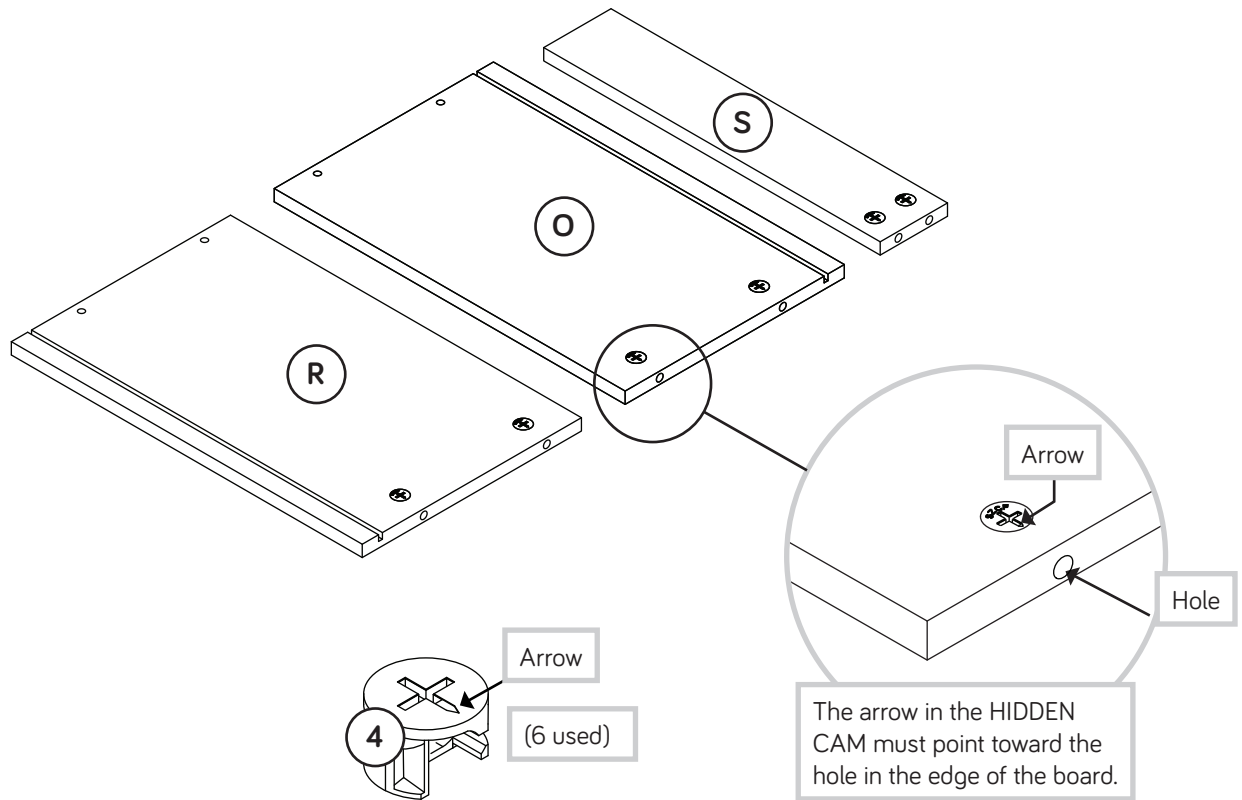
Step 13

- ✚ With the help of another person, carefully turn your unit onto its BACK (D).
- ✚ 1. Turn a THREADED PIN (9) into the RIGHT END (A) as shown below.
- ✚ 2. Place the FLIP-UP DOOR (N) over the THREADED PIN (9) in the RIGHT END (A).
- ✚ 3. While holding the FLIP-UP DOOR horizontal, turn the remaining THREADED PIN (9) through the slotted hole in the FLIP-UP DOOR (N) and into the hole in the UPRIGHT (E).



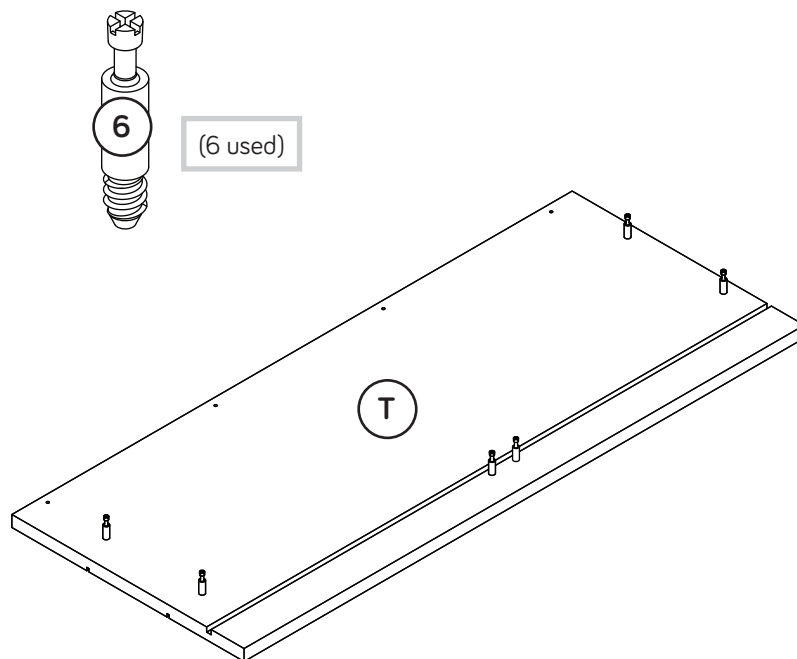
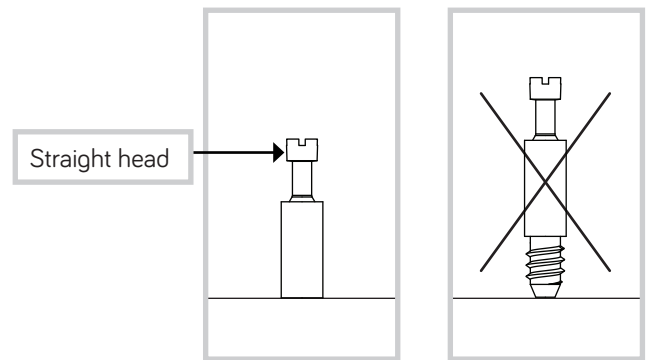
Step 14

- Push six SMALL HIDDEN CAMS (4) into the large holes in the DRAWER SIDES (O and R) and DRAWER BRACE (S).

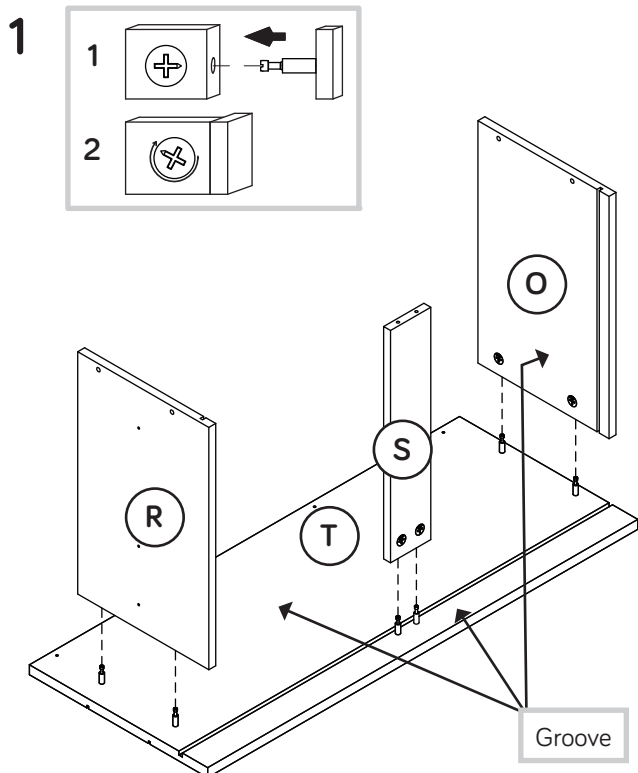


Step 15

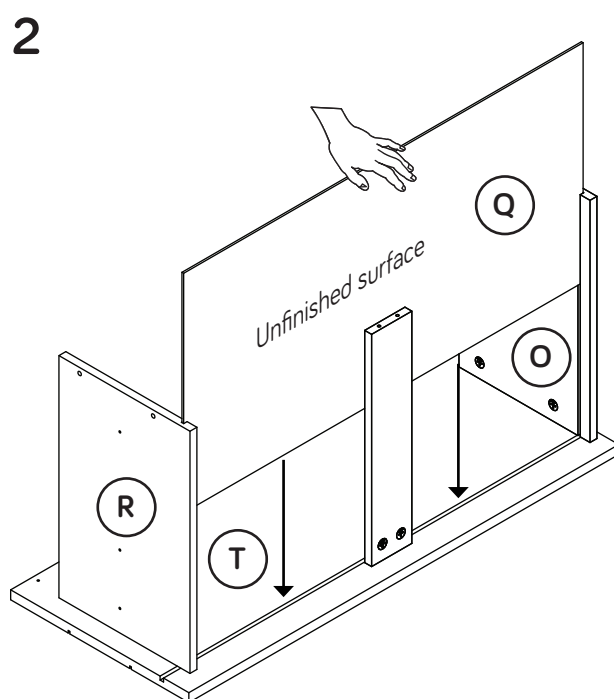
- Turn six STRAIGHT HEAD CAM SCREWS (6) into the DRAWER FRONT (T).



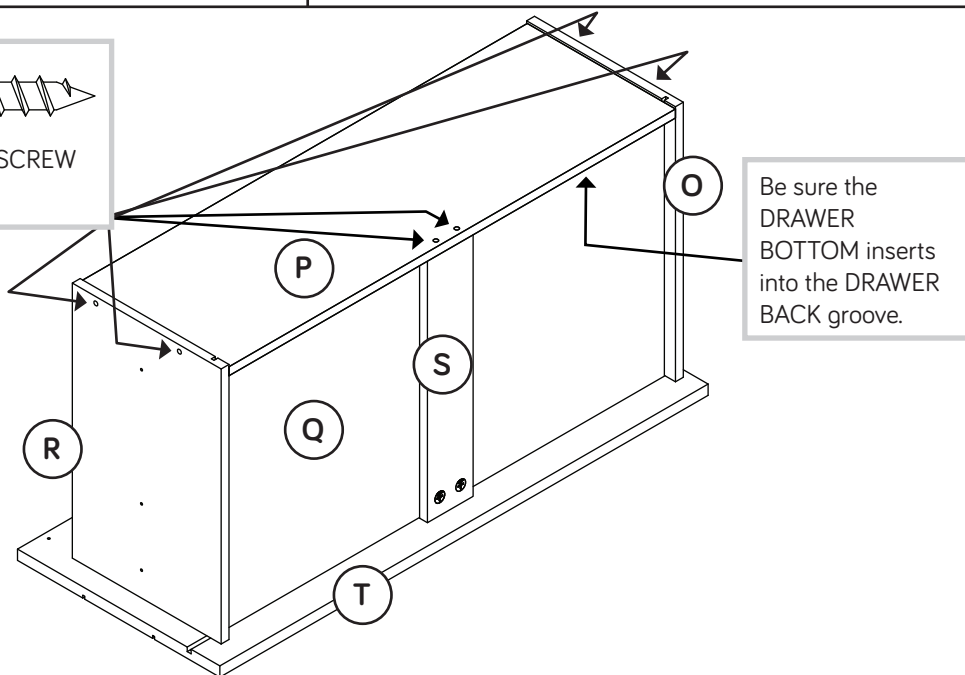
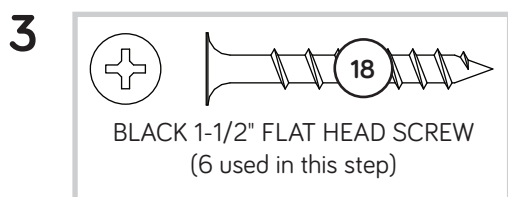
Step 16



Fasten the DRAWER SIDES (O and R) and DRAWER BRACE (S) to the DRAWER FRONT (T). Tighten six SMALL HIDDEN CAMS.



Slide a DRAWER BOTTOM (Q) into the grooves in the DRAWER SIDES (O and R) and DRAWER FRONT (T).

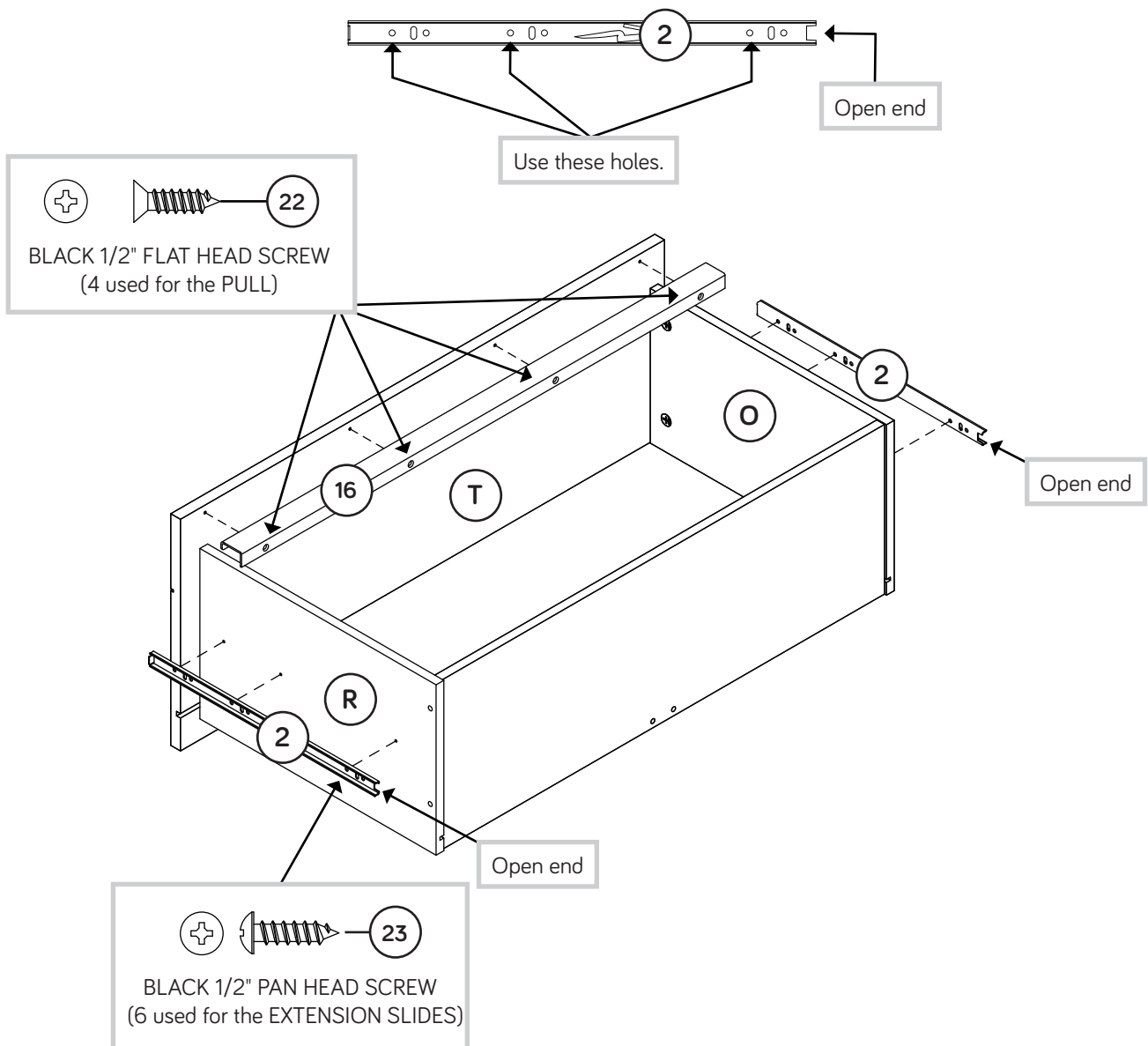


Fasten the DRAWER BACK (P) to the DRAWER SIDES (O and R) and DRAWER BRACE (S). Use six BLACK 1-1/2" FLAT HEAD SCREWS (18).

NOTE: Be sure the DRAWER BOTTOM (Q) inserts into the groove of the DRAWER BACK (P).

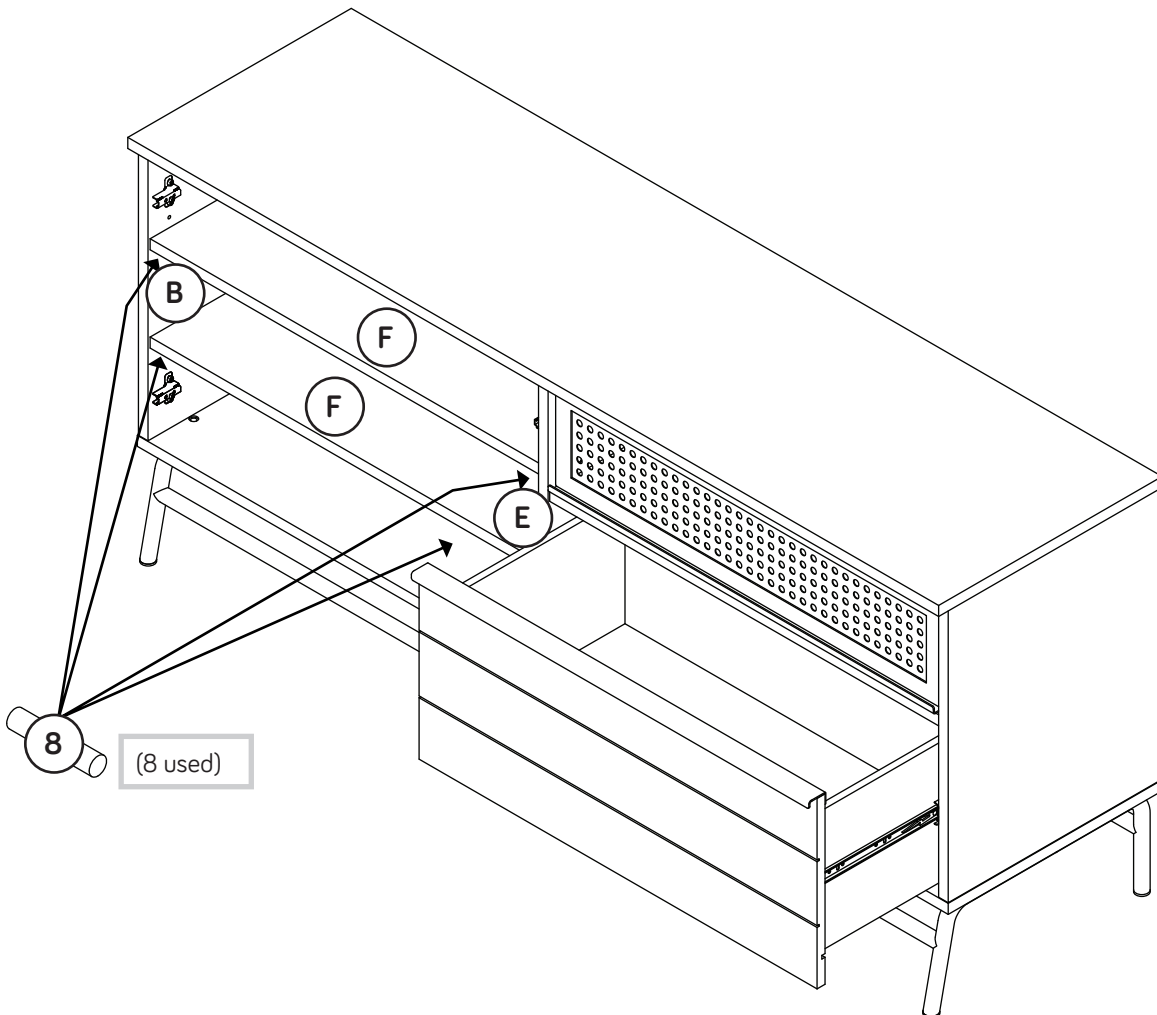
Step 17

- Fasten the EXTENSION SLIDES (2) to the DRAWER SIDES (O and R). Use six BLACK 1/2" PAN HEAD SCREWS (23).
- Fasten the PULL (16) to the DRAWER FRONT (T). Use four BLACK 1/2" FLAT HEAD SCREWS (22).



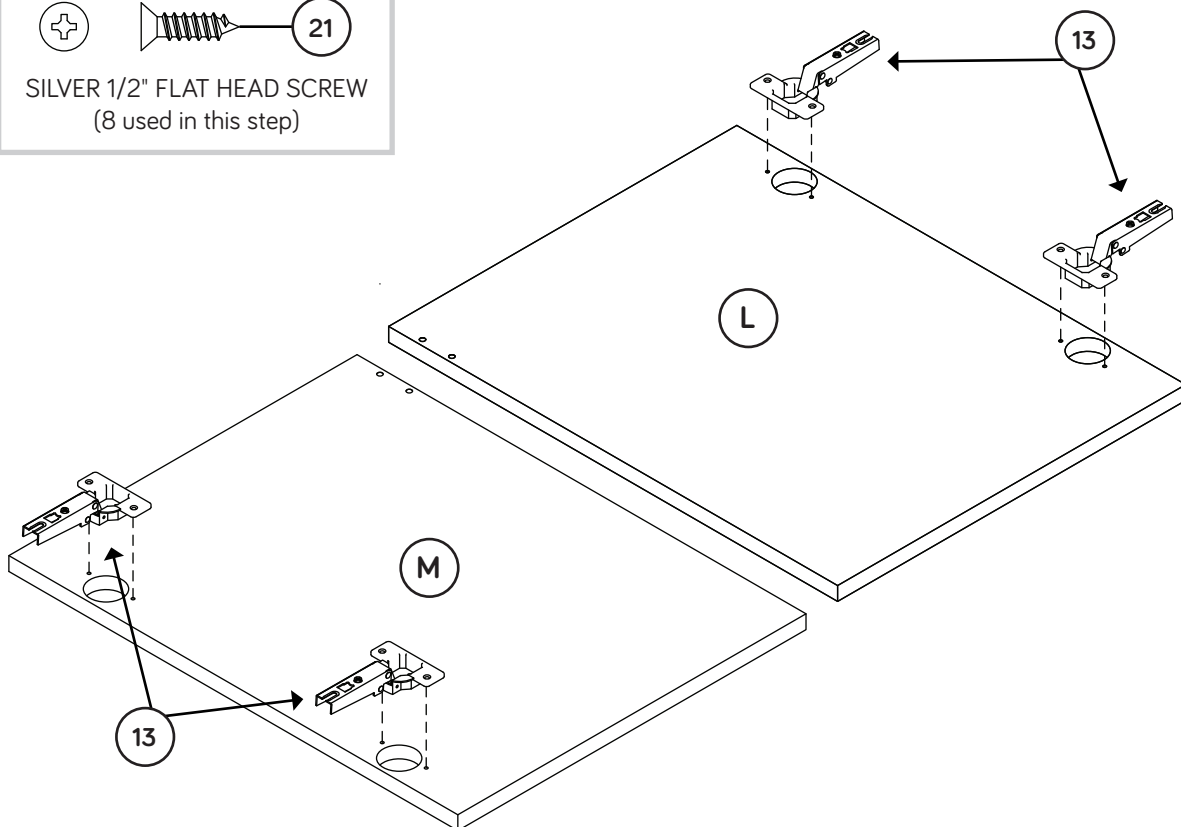
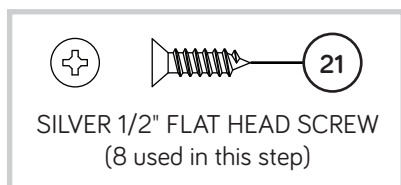
Step 18

- ✚ Carefully stand your unit upright.
- ✚ To insert the drawer into your unit, line up the EXTENSION SLIDES on the drawer with the EXTENSION RAILS on the unit and push the drawer into the unit until the drawer is fully inserted. The drawer will push in hard until it is all the way in, then it will slide in and out easier.
- ✚ Insert the METAL PINS into the hole locations of your choice in the LEFT END (B) and UPRIGHT (E). Set the ADJUSTABLE SHELVES (F) onto the METAL PINS.



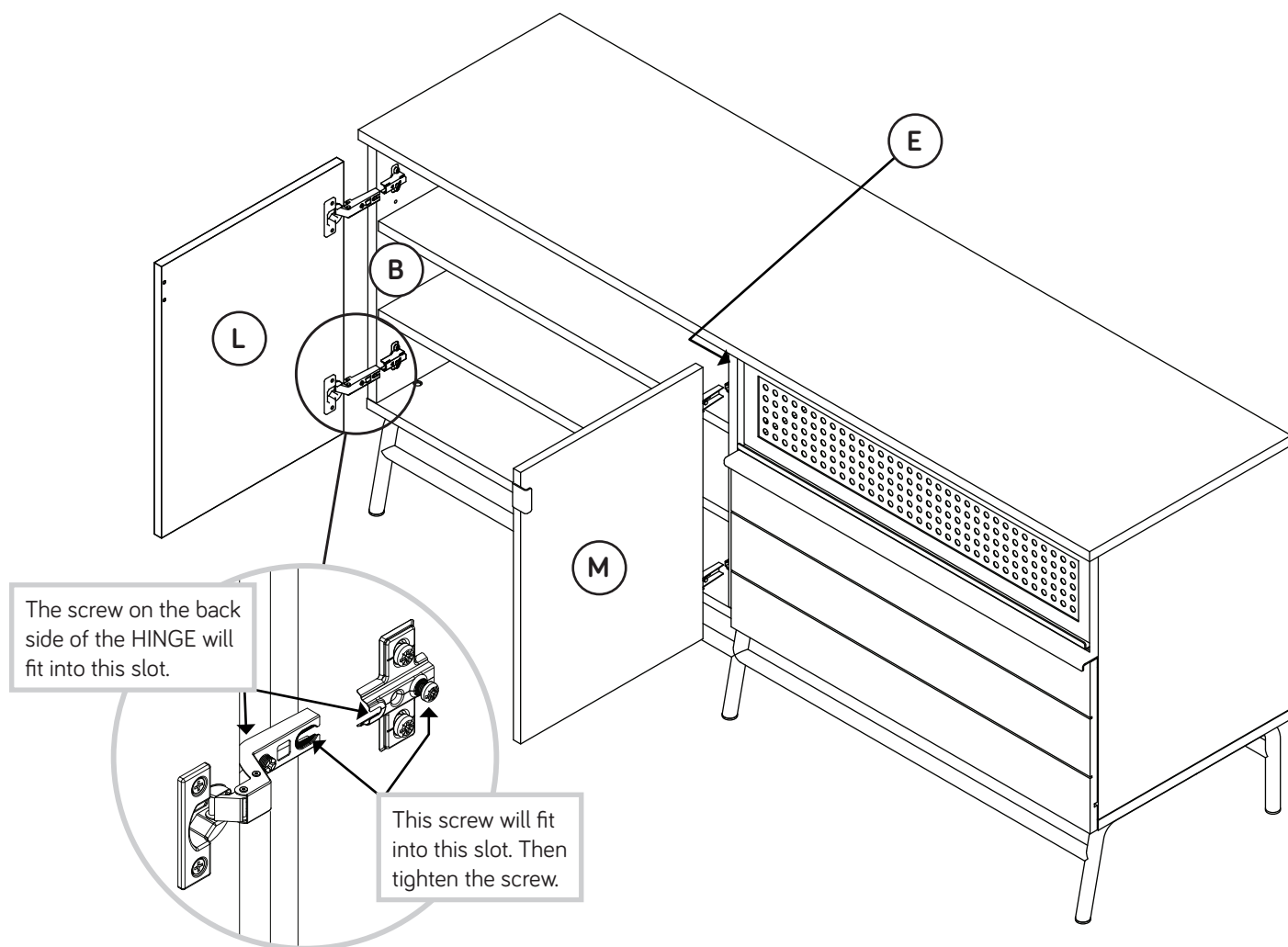
Step 19

- Fasten the HINGES (13) to the DOORS (L and M). Use eight SILVER 1/2" FLAT HEAD SCREWS (21).



Step 20

- ✚ Fasten the HINGES on the DOOR (L) to the HINGE BRACKETS on the LEFT END (B).
- ✚ Follow the large diagram below fastening both HINGES to the HINGE BRACKETS keeping the DOOR vertical at all times.
- ✚ Repeat this step fastening the RIGHT DOOR (M) to the UPRIGHT (E).

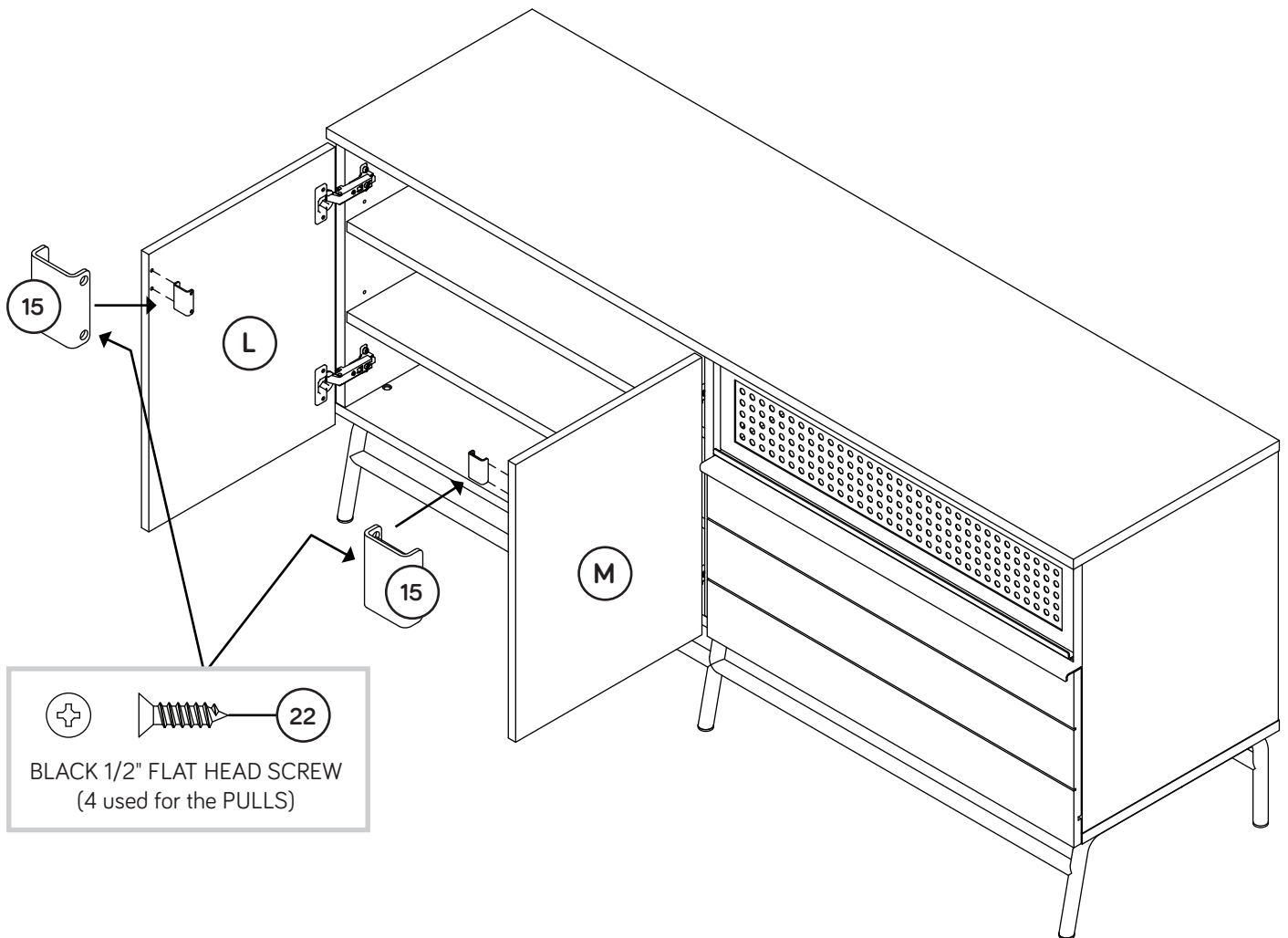


Step 21

- Fasten the PULLS (15) to the DOORS (L and M). Use four BLACK 1/2" FLAT HEAD SCREWS (22).

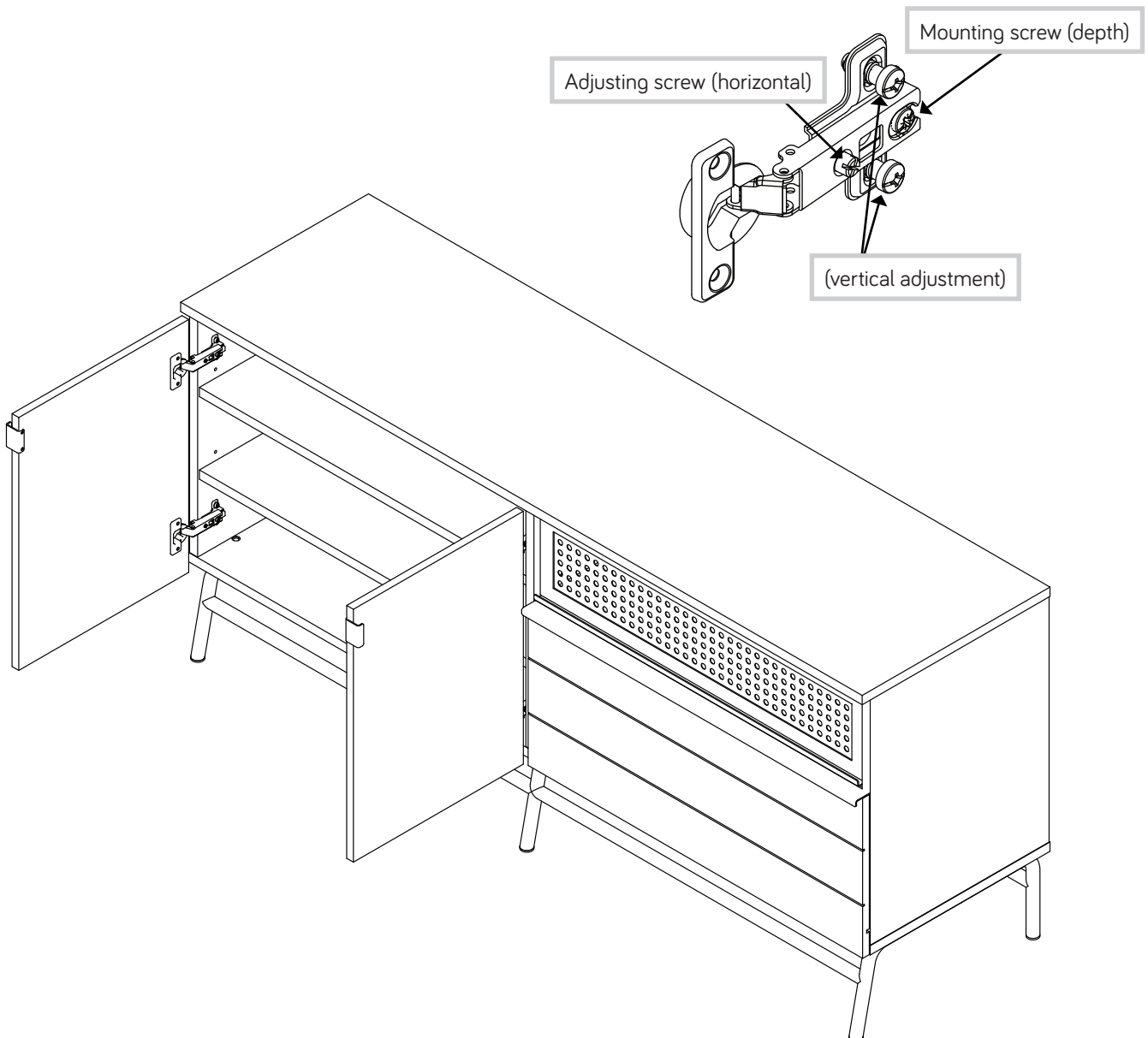


Hey! It's starting to look like something!



Step 22

- ✚ Refer to the enlarged diagram to identify the parts on the HINGES.
- ✚ The DOORS may need some adjustments. Follow the text below to make needed adjustments.
- ✚ DOOR ADJUSTMENTS:
 - ✚ To adjust the DOORS from side to side (horizontal), turn the adjusting screw in or out.
 - ✚ To adjust the DOORS up and down (vertical), loosen both vertical adjustment screws. Move the DOORS up or down to the desired location. Tighten the screws after making adjustments.
 - ✚ To adjust the DOORS in or out (depth), loosen the mounting screw one turn and move the DOORS in or out, as needed. Tighten the mounting screw after making adjustments.

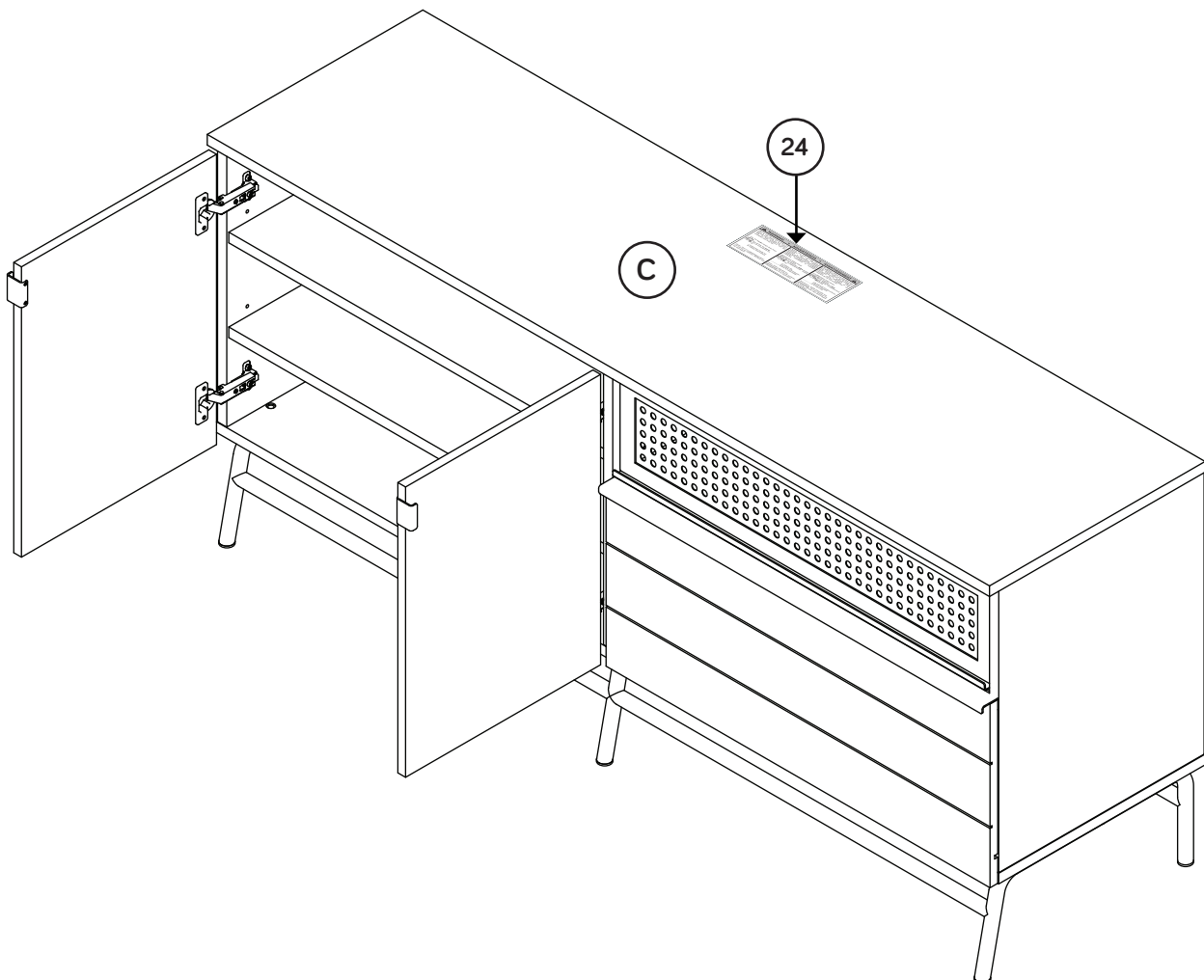


Step 23

Apply the WARNING LABEL (24) to the TOP (C). You should be able to read the label when the TV is removed from the unit. When the TV is in place, it should hide the label. Peel off the backing and apply the label as shown in the diagram.

NOTE: This is a permanent label intended to last for the life of the product. Once applied, do not try to remove it.

⚠ WARNING	• ADVERTENCIA	• AVERTISSEMENT	⚠
Never use this furniture with a TV that is too large or too heavy. Severe injury or death can occur. The TV and furniture will be unstable and may tip.	Nunca use este mueble con un televisor que es demasiado grande o demasiado pesado. Podría resultar en una lesión grave hasta fatal. El televisor y el mueble estarán inestables y pueden volcarse.	Ne jamais utiliser ce meuble avec un téléviseur qui soit trop large ou trop lourd. Risque de provoquer des blessures graves, voire mortelles. Le téléviseur et le meuble seront instables et risquent de se renverser.	
-The TV must weigh less than 70 lbs. -The base of the TV must be able to sit completely on this shelf.	-El televisor debe pesar 31,75 kg o menos. -La base del televisor debe poder colocarse completamente sobre este estante.	-Le téléviseur doit peser 31,75 kg ou moins. -Le socle du téléviseur doit pouvoir être placé complètement sur cette tablette.	
Refer to instruction book for complete safety information.	Consulte el folleto de instrucciones para información completa sobre la seguridad.	Consulter le manuel d'instructions pour information complète concernant la sécurité.	
<i>Note: This is a <u>permanent</u> label. Do not try to remove. Surface will be damaged.</i>	<i>Nota: Esta etiqueta es <u>permanente</u>. No intente quitarla. Causará daño a la superficie.</i>	<i>Remarque: Cette étiquette est <u>permanente</u>. Ne pas essayer de la retirer. Causera des dommages à la surface.</i>	



 **WARNING**

Please use your furniture correctly and safely. Improper use can cause safety hazards, or damage to your furniture or household items. Carefully read the following safety information.

Death or serious injury may occur when children climb on audio and/or video equipment furniture. A remote control or toys placed on the furnishing may encourage a child to climb on the furnishing and as a result may tip over onto the child.

NEVER allow children to climb or play with the TV or furnishing supporting the TV.

NEVER place toys, food, remote, etc. on top of the TV or TV furnishing.

ALWAYS use either the safety hardware as instructed or other wall anchoring device.

Relocating audio and/or video equipment to furniture not specifically designed to support audio and/or video equipment may result in death or serious injury due to furniture collapse or over turning onto a child.

NEVER place a TV on furniture that is not intended to support a TV.

NEVER exceed the maximum size and weight of the TV shown in the instructions.

Be sure to apply the TV warning label as shown in the instructions.

Overloading drawers and shelves may result in furniture that can break or sag, or tip-over which may result in injury.

NEVER exceed the weight limits shown in the instructions.

Place the heavier items on lower shelves as far back from the front as possible.

Load the bottom surfaces first to avoid top-heavy furniture.

Moving furniture that is not designed to be moved or equipped with casters may result in injury or damage to furnishings or personal property.

ALWAYS unload shelves and drawers, starting with the top surfaces, before moving.

NEVER push or pull furniture on carpet. Have a friend help lift properly to move and/or reposition it.