

# WIND visitor chair family

Design by Baldanzi & Novelli designers | Italy



## QUALITY STANDARD

- LST EN 16139:2013
- LST EN 16139:2013/AC:2013

## GUARANTEE

- 5 years

## TECHNICAL INFORMATION

### Type

- Visitor chairs

### Seat

- Fixed, lower part (inner and outer) made of PP (polypropylene) plastic;
- Foam made of polyurethane;
- Fabric or leather look upholstered.

### Backrest

- Frame made of black or white PP (polypropylene) plastic;
- Mesh upholstered.

### Armrests

- Chromed or powder coated frame covered with black or white PP (polypropylene) plastic;
- Armrest pad fixed, made of PP (polypropylene) plastic or high density polyurethane.

### Mechanism

- Polished or powder-coated in black;
- Fixed, height adjustment by side lever.

### Gas lift

- Chromed or black colour;
- 130 mm run range.

## Bases

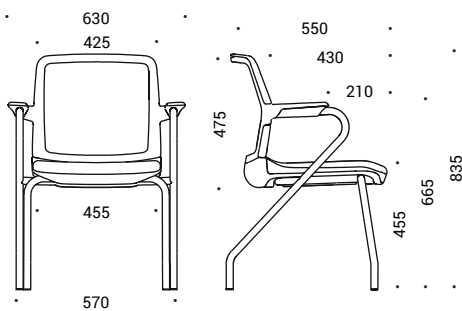
- Five-star polished aluminium base;
- Five-star black or white fiberglass reinforced plastic base;
- Five-star external Ø700 mm;
- Four-star polished or black powder-coated aluminium base;
- Four-star external Ø670;
- Four legs metal tube frame, chromed or powder coated;
- Cantilever metal tube frame, chromed or powder-coated.

## Castors and glides

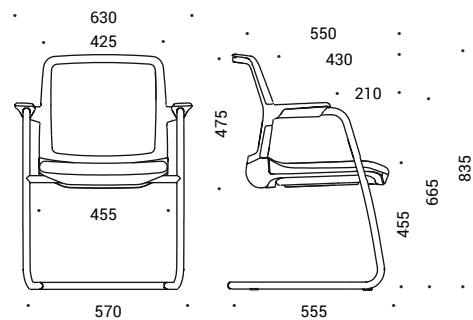
- Rubber free wheel castors for hard floor, Ø65 mm (five-star base);
- PA (polyamide) free wheel castors for soft floor, Ø65 mm (five-star base).
- PP (polypropylene) plastic glides with or without felt for hard and soft floor (four legs and cantilever frames).

## RANGE

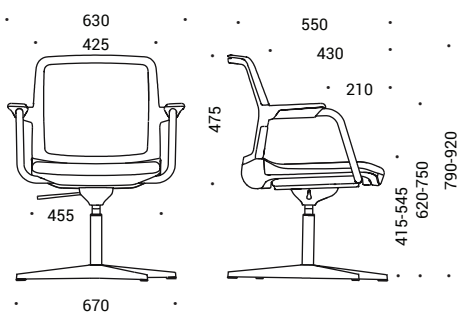
### 4-leg base



### Cantilever base



### 4-star swivel base



### 5-star swivel base with castors

