

Your **holder** for all  
**things** awesome.

# TV Stand

Barrister Home | Model 5417772

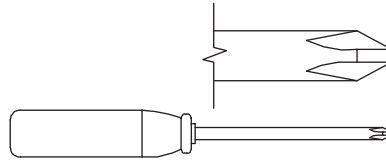
**NOTE:** THIS INSTRUCTION  
BOOKLET CONTAINS **IMPORTANT**  
SAFETY INFORMATION.

PLEASE READ AND KEEP FOR  
FUTURE REFERENCE.

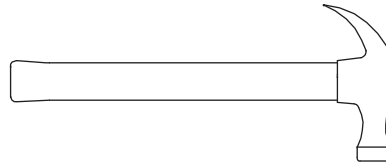
# Table of Contents

# Assembly Tools Required

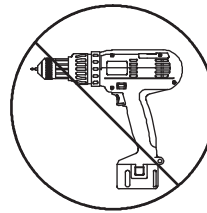
Part Identification	3
Hardware Identification	4
Assembly Steps	5-21
Français	22-24
Español	25-28
Safety	29-30
Warranty	31



No. 2 Phillips Screwdriver  
Tip Shown Actual Size



Hammer  
Not actual size 😊

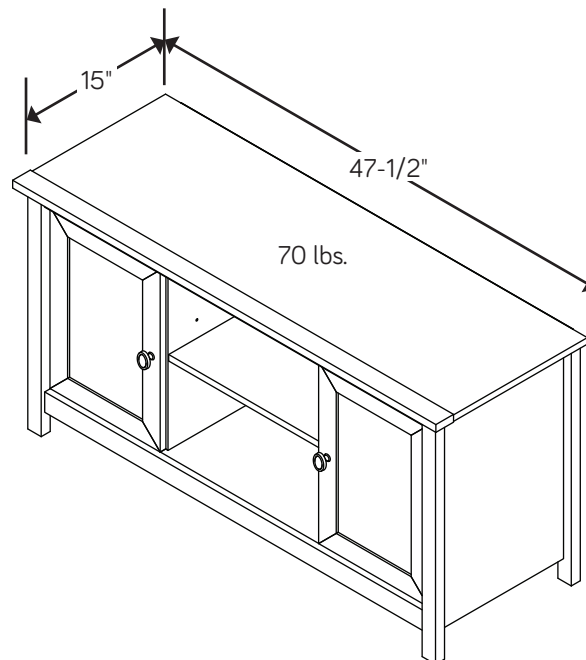


Skip the power trip.  
This time.

## ⚠ WARNING

Use of a TV that is too heavy or large is hazardous. A TV that is too heavy will create a risk of a tip-over that can cause severe injury or death. A TV that is too large for the available space might be accidentally pushed or bumped off the furniture, or subject to tip-over.

- Check the size and weight of your TV. Compare it to the diagram below – **before you begin assembly!**
- This Sauder unit is designed for use with televisions weighing less than 70 pounds. **Never** use with a TV that weighs more.
- The size of the television, front-to-back and side-to-side, must fit within the space defined in the diagram.
  - **Never** place the front edge of the TV past the front edge of the TV support shelf (or stop molding – if equipped)
  - **Never** allow the sides of the TV to extend past the side edges of the TV support surface.
  - If the TV has a CRT picture tube, the picture tube cone may extend past the rear of the support shelf.
- Be sure to apply the warning label as instructed in the last assembly step. The label provides important safety related information.



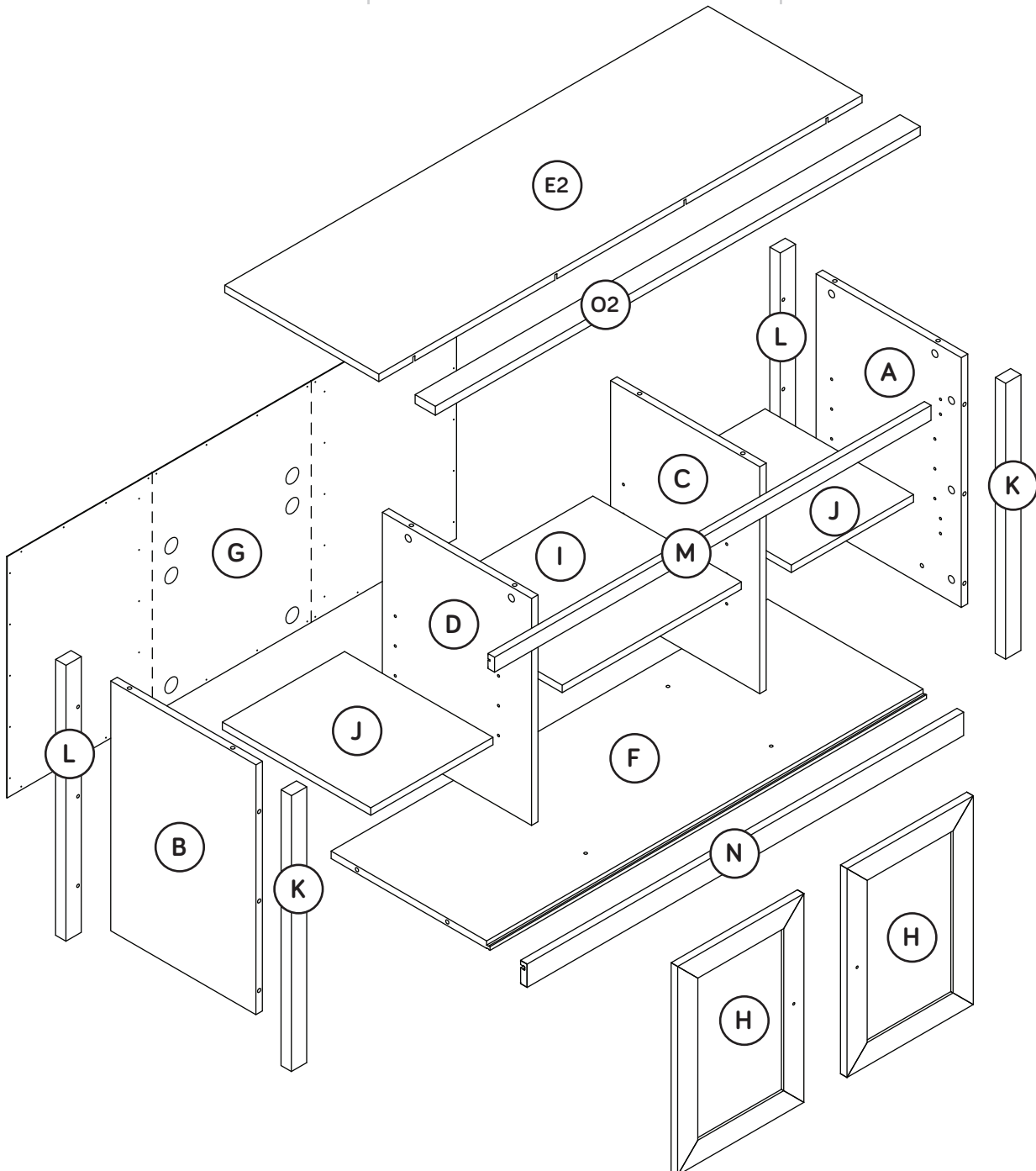
# Part Identification

Now you know  
our ABCs.



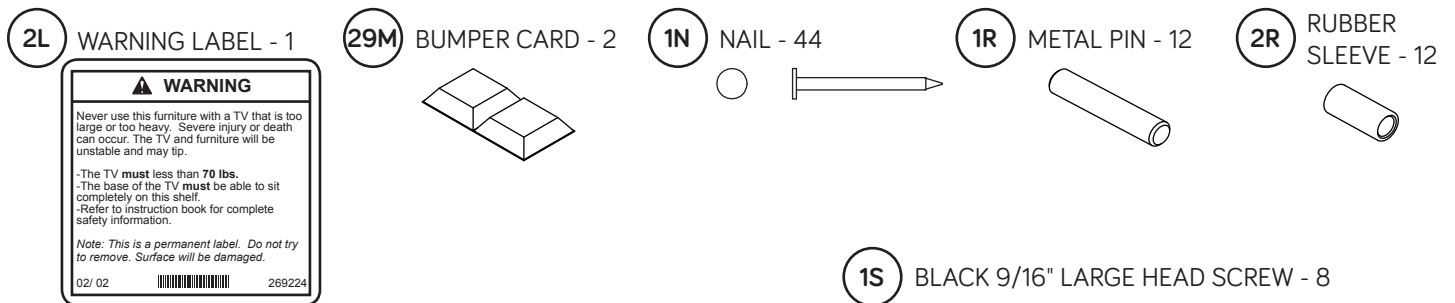
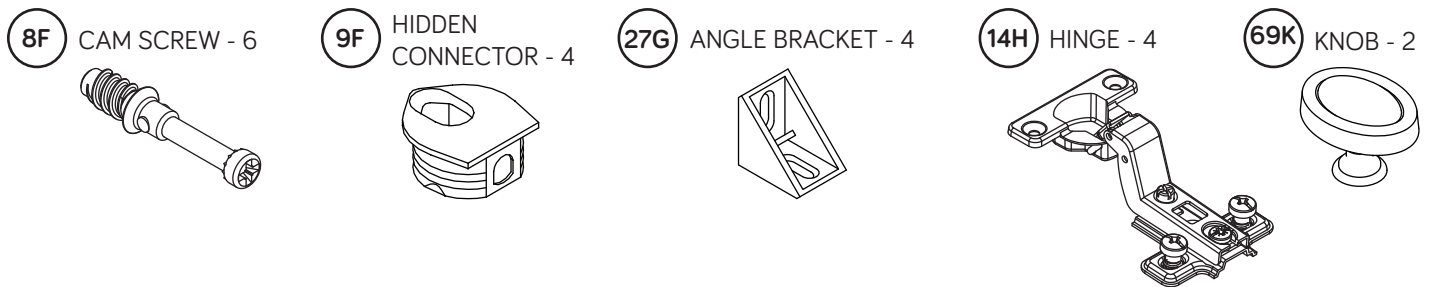
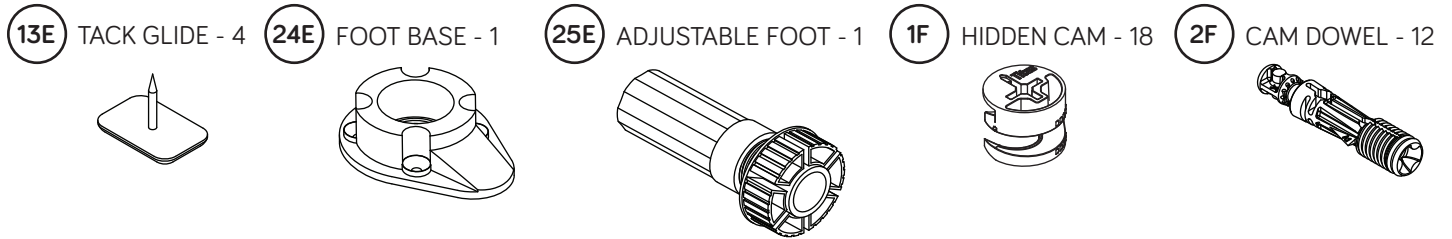
⚠ While not all parts are labeled, some of the parts will have a label or an inked letter on the edge to help distinguish similar parts from each other. Use this part identification to help identify similar parts.

A	RIGHT END (1)	F	BOTTOM (1)	K	FRONT LEG (2)
B	LEFT END (1)	G	BACK (1)	L	BACK LEG (2)
C	RIGHT UPRIGHT (1)	H	DOOR (2)	M	TOP MOLDING (1)
D	LEFT UPRIGHT (1)	I	ADJUSTABLE SHELF (1)	N	BOTTOM MOLDING (1)
E2	TOP (1)	J	SMALL ADJUSTABLE SHELF (2)	O2	STOP MOLDING (1)

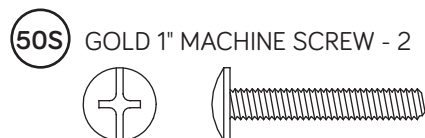
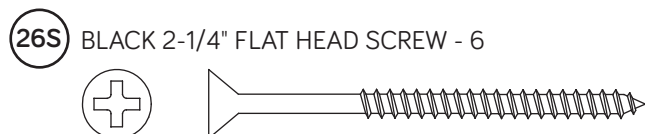
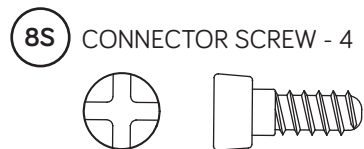
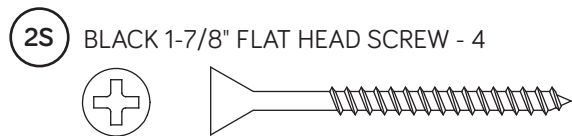


# Hardware Identification

↑ Screws are shown actual size. You may receive extra hardware with your unit.

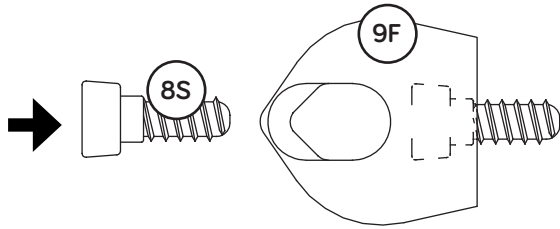


(Refer to Step 18 for proper location and application)



# Step 1

- ✚ Insert a CONNECTOR SCREW (8S) into each HIDDEN CONNECTOR (9F).

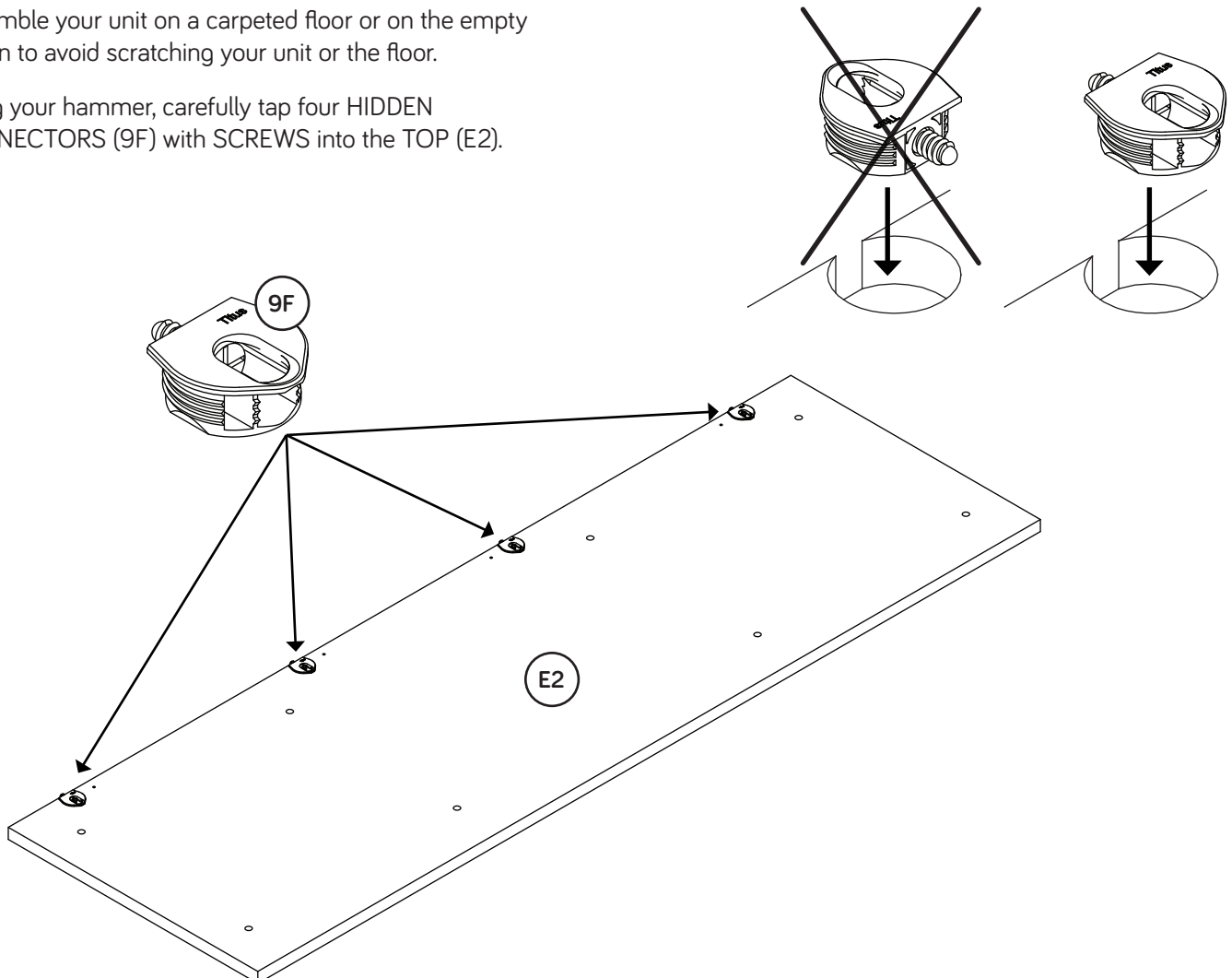


Scan this QR code or go to this address:  
<http://qr.sauder.com/?ID=2278>  
to watch a video on how to assemble your unit.



# Step 2

- ✚ Assemble your unit on a carpeted floor or on the empty carton to avoid scratching your unit or the floor.
- ✚ Using your hammer, carefully tap four HIDDEN CONNECTORS (9F) with SCREWS into the TOP (E2).



# Step 3

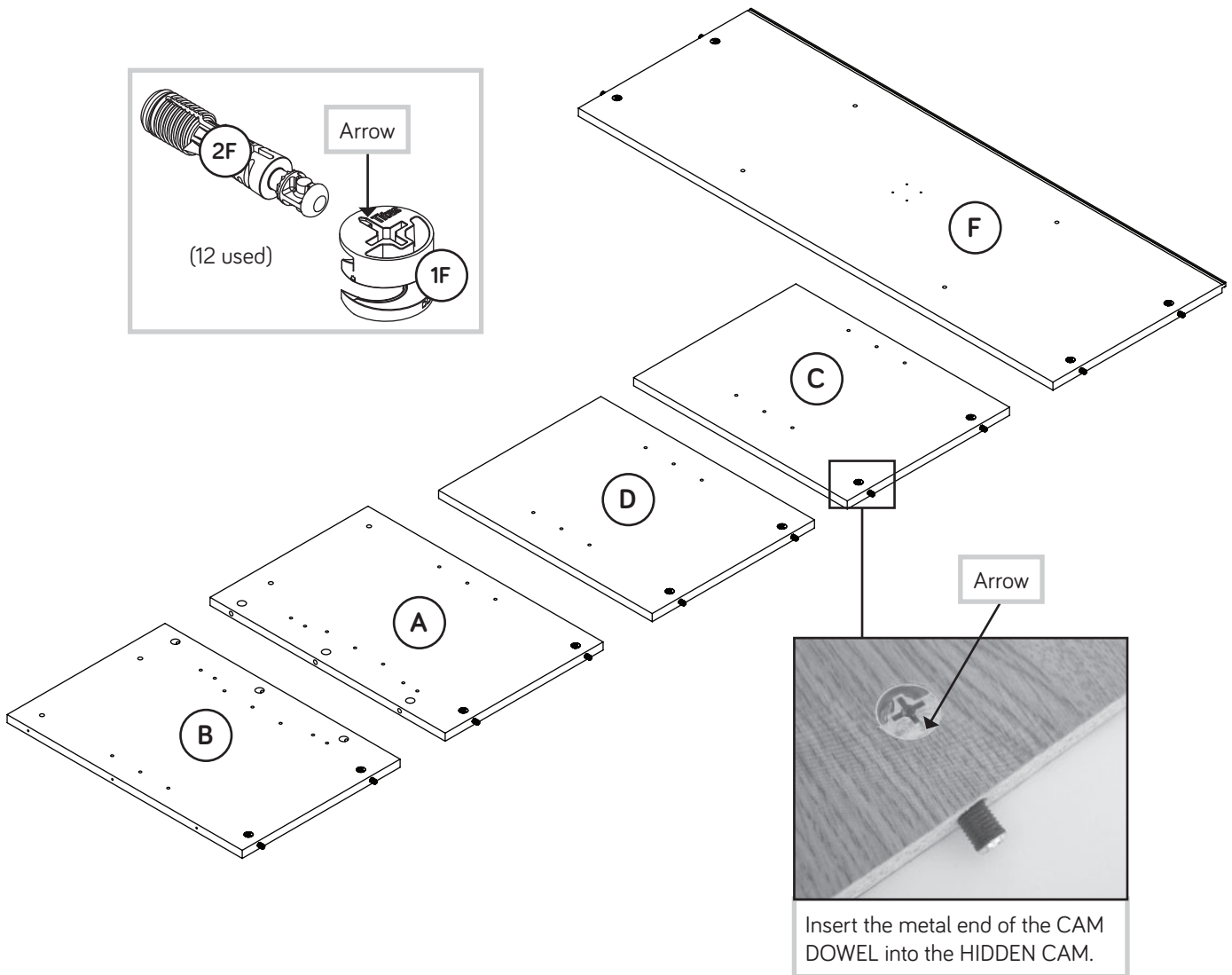
Push twelve HIDDEN CAMS (1F) into the ENDS (A and B), UPRIGHTS (C and D), and BOTTOM (F). Then, insert the metal end of a CAM DOWEL (2F) into each HIDDEN CAM.

**NOTE:** Use the exact holes shown.



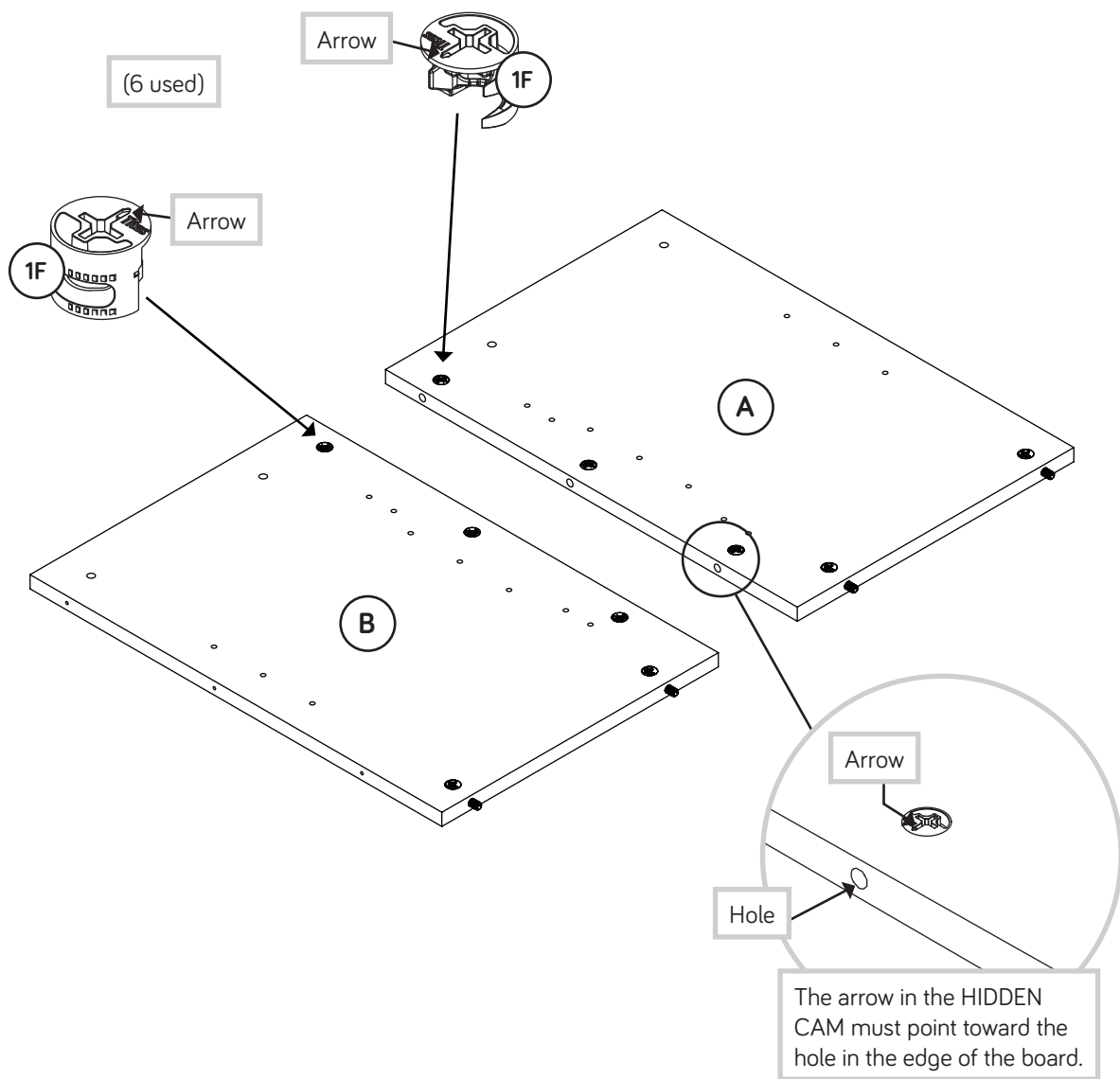
Just think. The sooner you do this, the sooner you do something else.

Do not tighten the HIDDEN CAMS in this step.



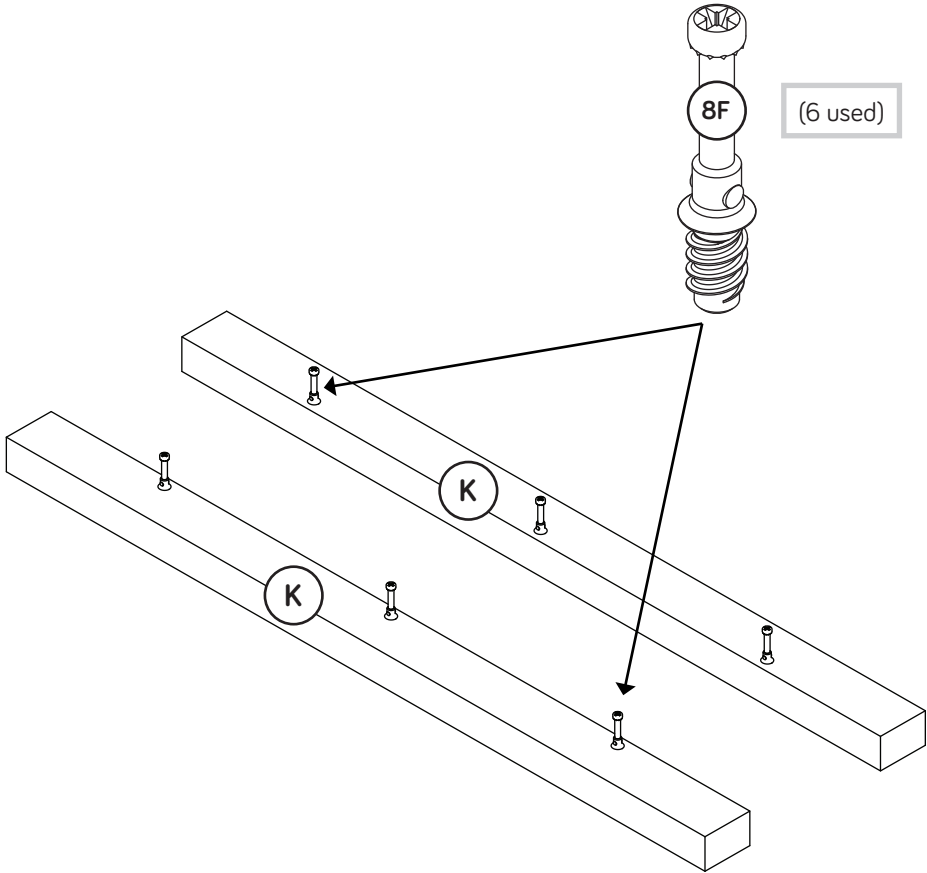
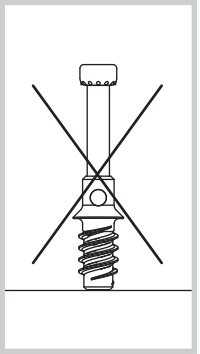
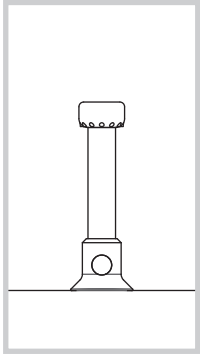
# Step 4

Push six HIDDEN CAMS (1F) into the ENDS (A and B).



# Step 5

Turn six CAM SCREWS (8F) into the FRONT LEGS (K).



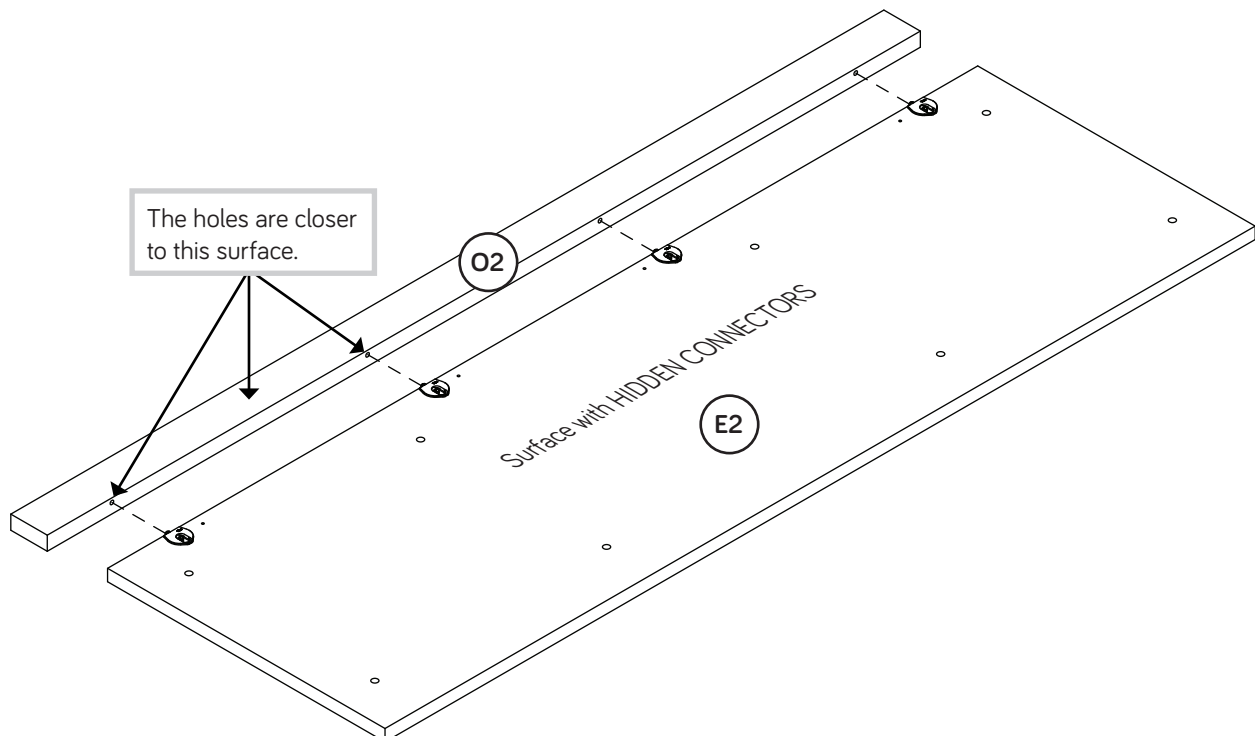
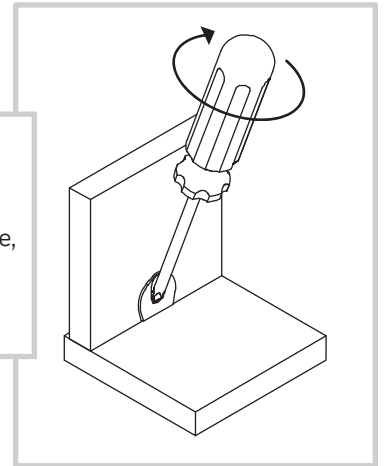


# Step 6

- Fasten the STOP MOLDING (O2) to the TOP (E2). Tighten four HIDDEN CONNECTORS.

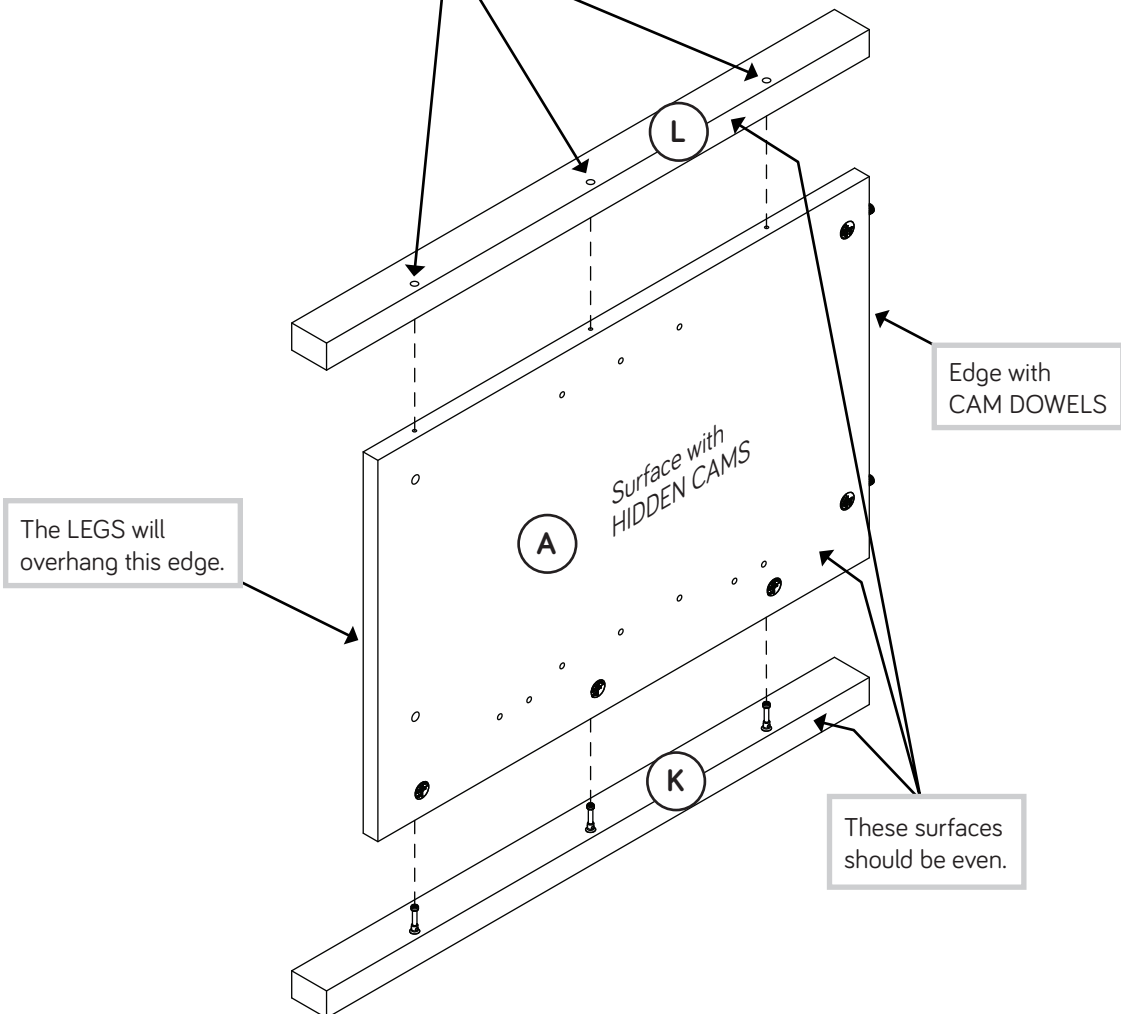
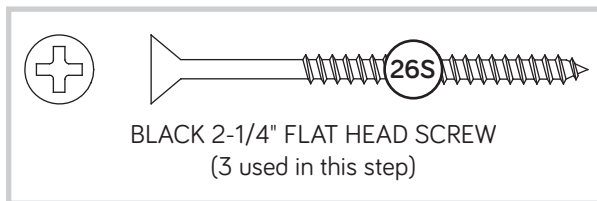
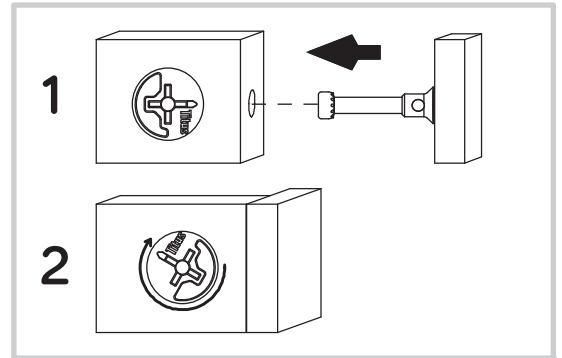
## How to use the HIDDEN CONNECTOR

To fasten two parts together using the HIDDEN CONNECTORS, insert your screwdriver, at an angle, into the slot in the HIDDEN CONNECTOR. While pushing the screw into the hole of the adjoining part, turn the screwdriver clockwise to tighten.



# Step 7

- Fasten a FRONT LEG (K) to the RIGHT END (A). Tighten three HIDDEN CAMS.
- Fasten a BACK LEG (L) to the RIGHT END (A). Use three BLACK 2-1/4" FLAT HEAD SCREWS (26S).

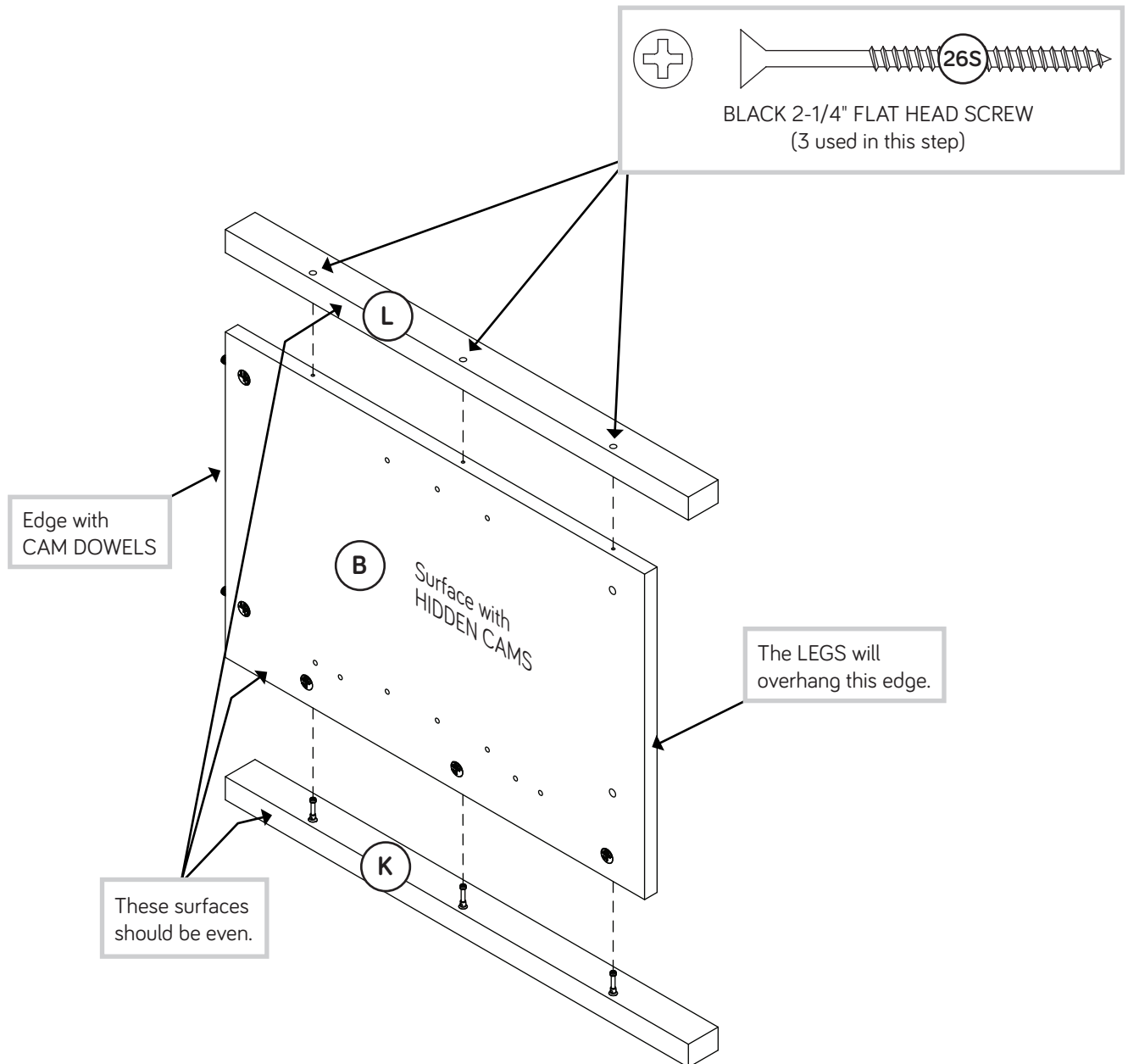


# Step 8

- Fasten a FRONT LEG (K) to the LEFT END (B). Tighten three HIDDEN CAMS.
- Fasten a BACK LEG (L) to the LEFT END (B). Use three BLACK 2-1/4" FLAT HEAD SCREWS (26S).

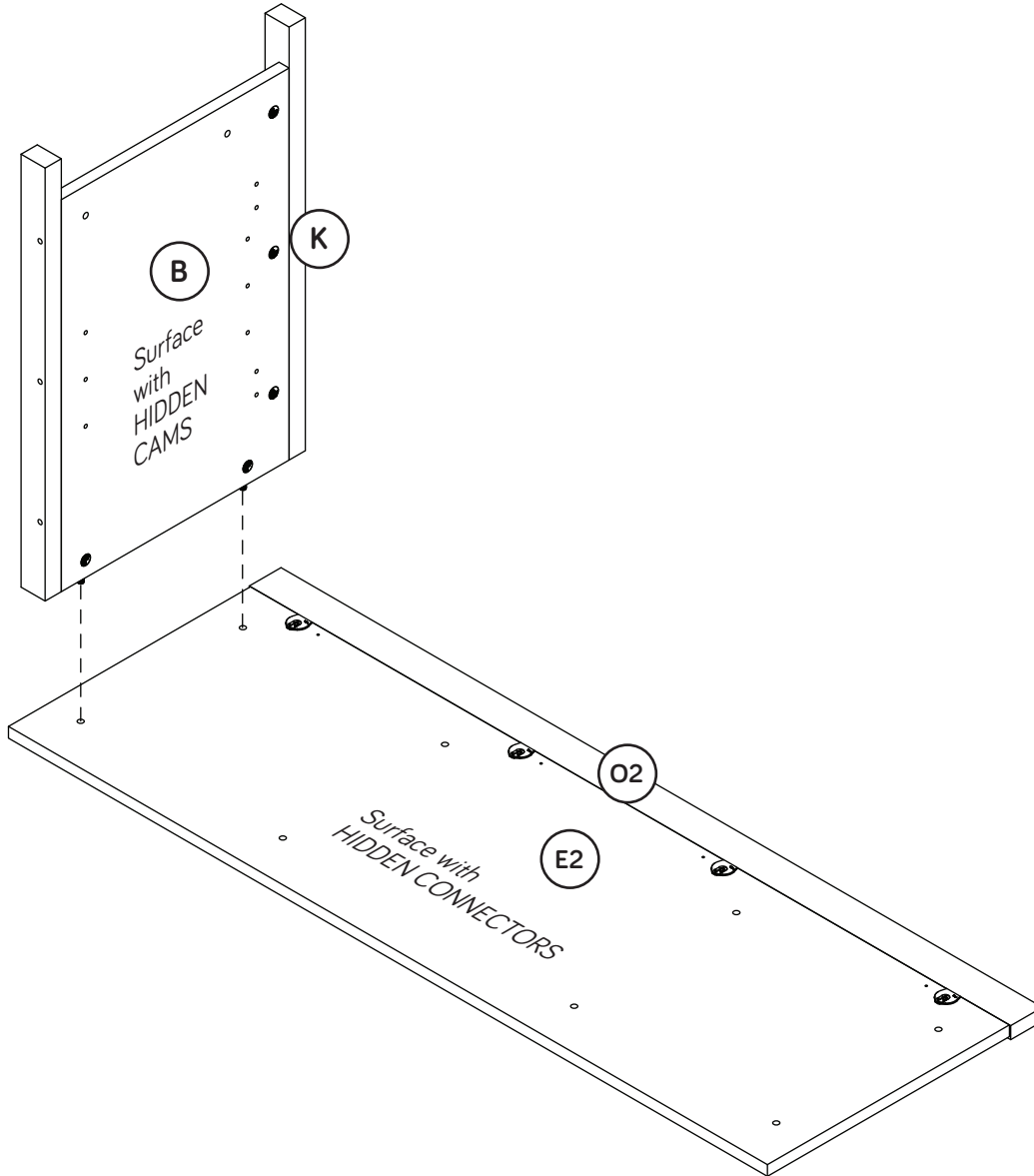


Don't worry. It isn't Rome. This can be built in a day.



# Step 9

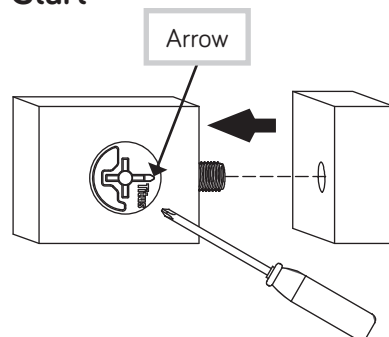
- Fasten the LEFT END (B) to the TOP (E2). Tighten two HIDDEN CAMS.



## ⚠ Caution

Risk of damage or injury. HIDDEN CAMS must be completely tightened. HIDDEN CAMS that are not completely tightened may loosen, and parts may separate. To completely tighten:

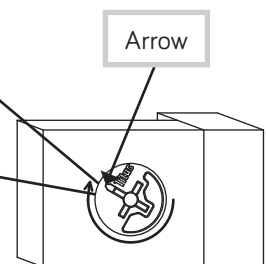
### Start



### Tighten

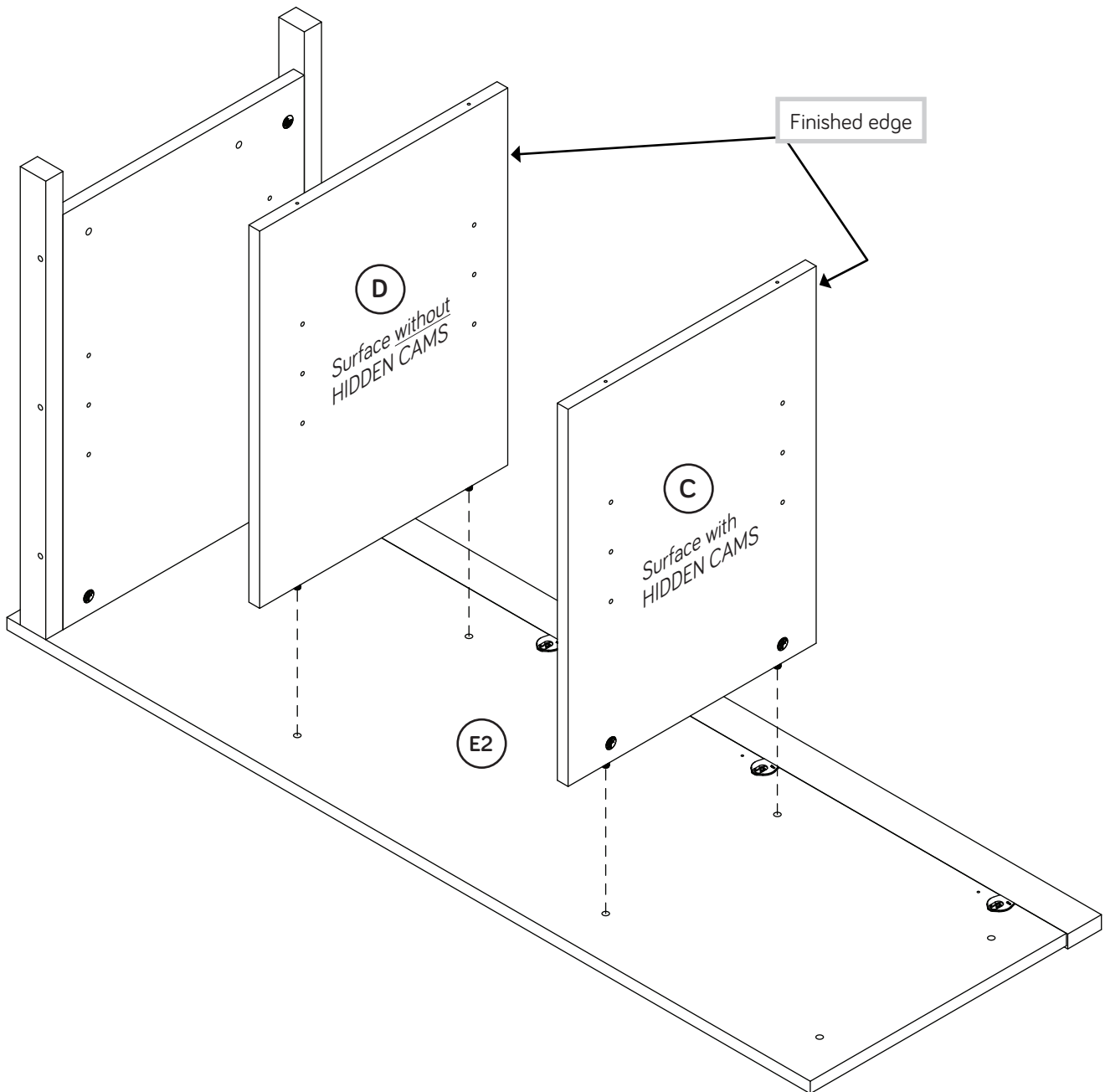
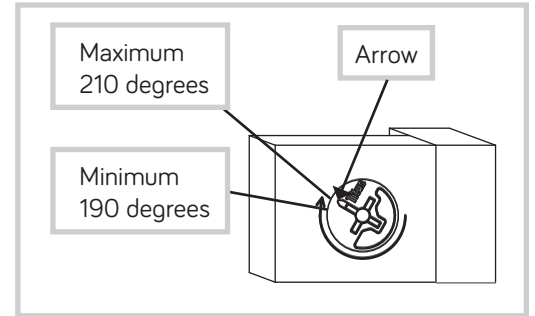
Maximum 210 degrees

Minimum 190 degrees



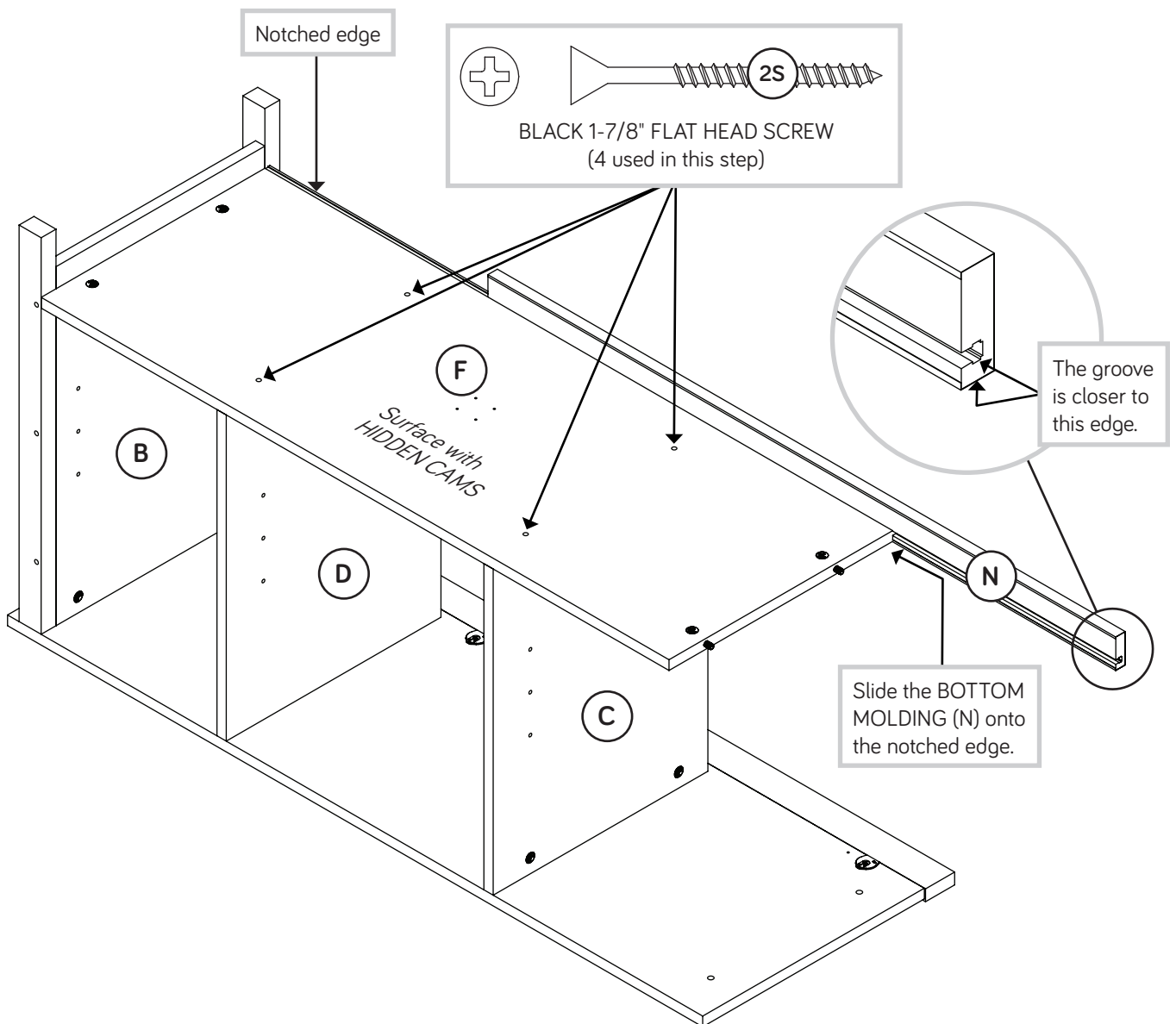
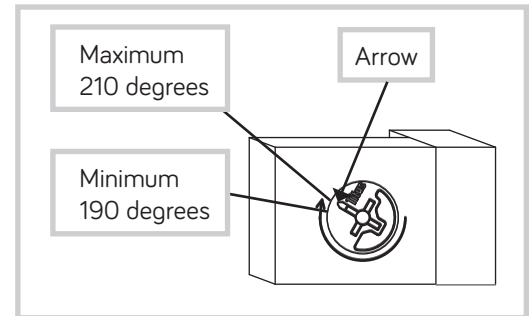
# Step 10

- Fasten the UPRIGHTS (C and D) to the TOP (E2). Tighten four HIDDEN CAMS.



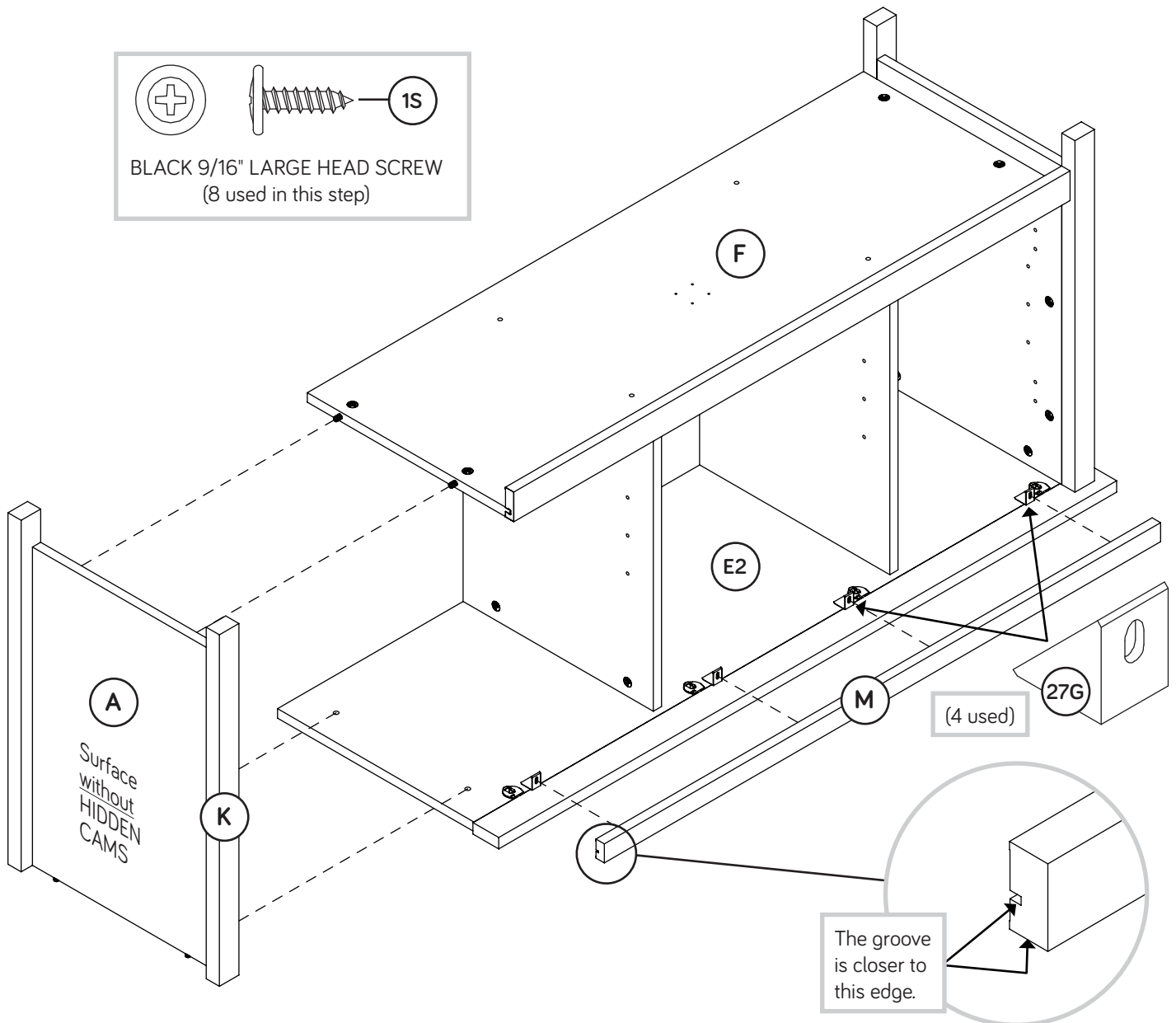
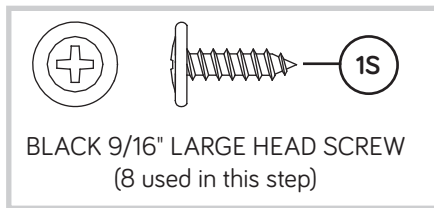
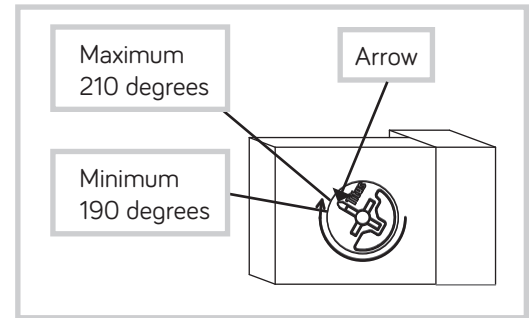
# Step 11

- Fasten the BOTTOM (F) to the LEFT END (B). Tighten two HIDDEN CAMS.
- Fasten the BOTTOM (F) to the UPRIGHTS (C and D). Use four BLACK 1-7/8" FLAT HEAD SCREWS (2S).
- Slide the BOTTOM MOLDING\* (N) onto the notched edge of the BOTTOM (F).
- \*U.S. Patent No. 5,499,886



# Step 12

- Fasten the RIGHT END (A) to the TOP (E2) and BOTTOM (F). Tighten four HIDDEN CAMS.
- Fasten four ANGLE BRACKETS (27G) to the TOP (E2). Use four BLACK 9/16" LARGE HEAD SCREWS (1S).
- Fasten the TOP MOLDING (M) to the TOP (E2). Use four BLACK 9/16" LARGE HEAD SCREWS (1S) through the ANGLE BRACKETS on the TOP and into the TOP MOLDING.
- NOTE:** There are no pre-drilled holes in the TOP MOLDING. The SCREWS will tighten into the groove.

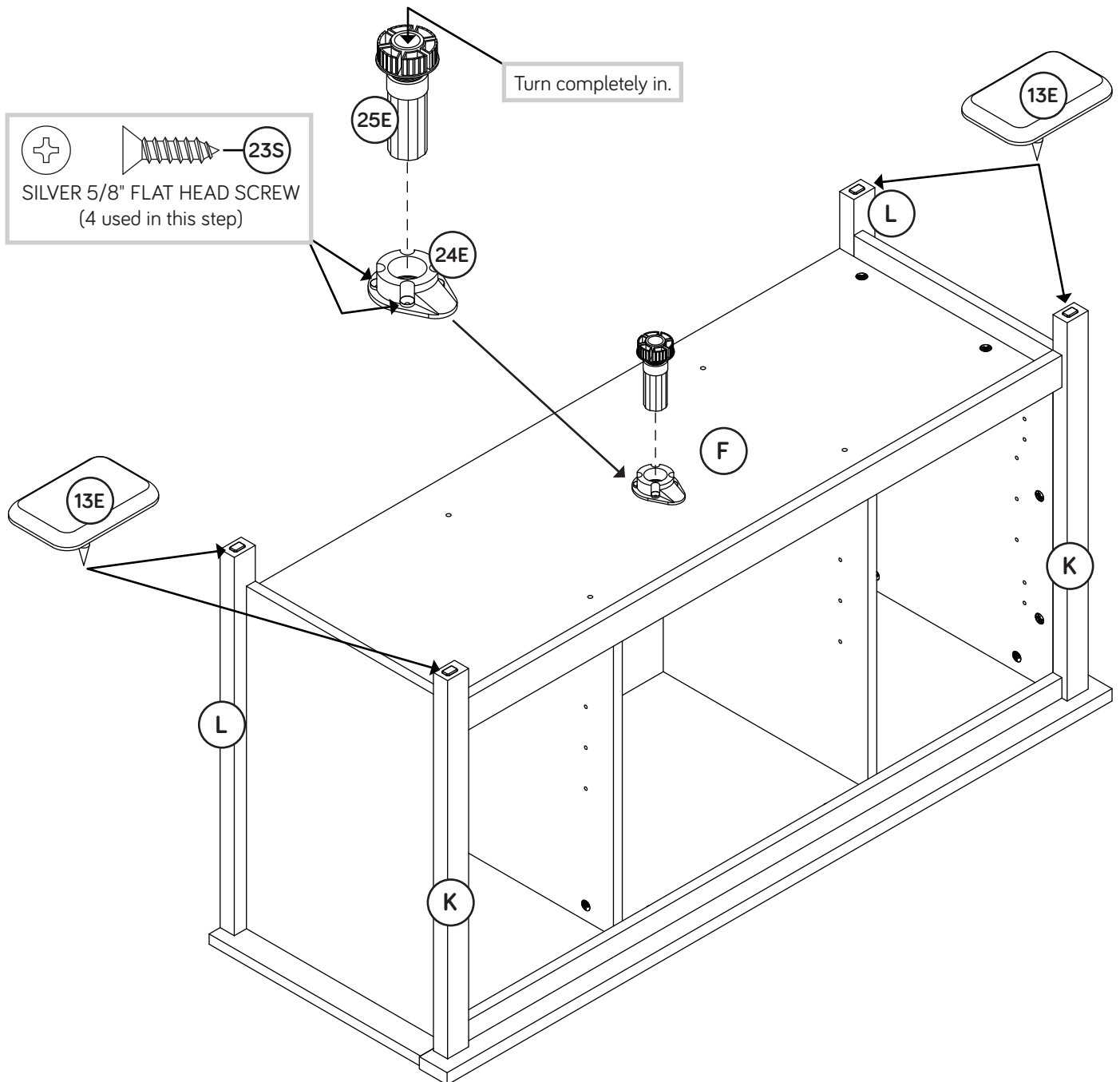


# Step 13

- ✚ Fasten the FOOT BASE (24E) to the BOTTOM (F). Use four SILVER 5/8" FLAT HEAD SCREWS (23S).
- ✚ Push the ADJUSTABLE FOOT (25E) into the FOOT BASE (24E).
- ✚ Turn the adjustable end of the ADJUSTABLE FOOT completely in. Final adjustments will be made after the unit is standing upright.
- ✚ Using your hammer, carefully tap four TACK GLIDES (13E) into the LEGS (K and L).



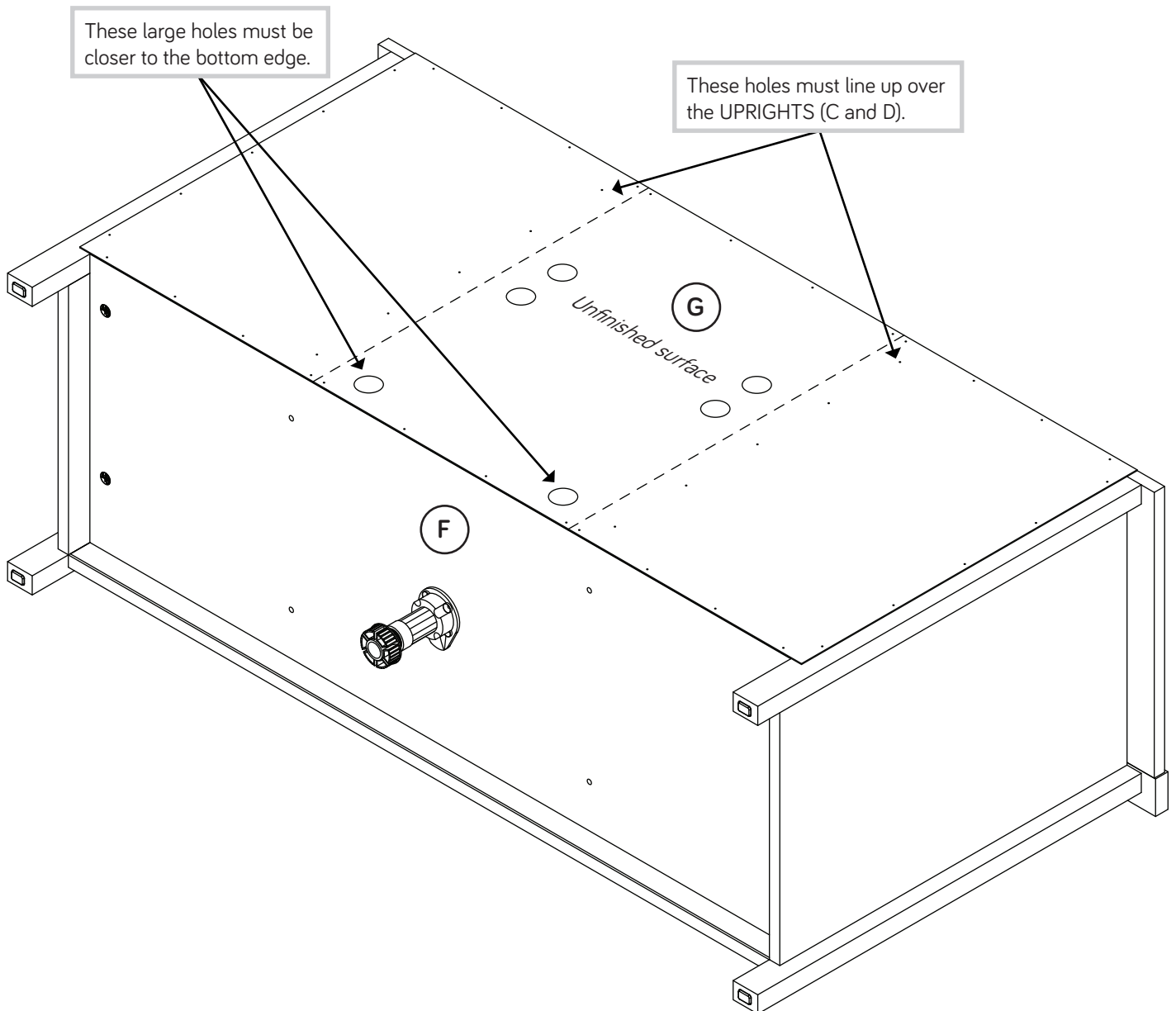
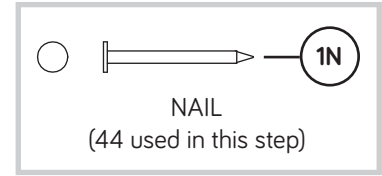
If you're doing this to help a friend, don't leave without a bite.





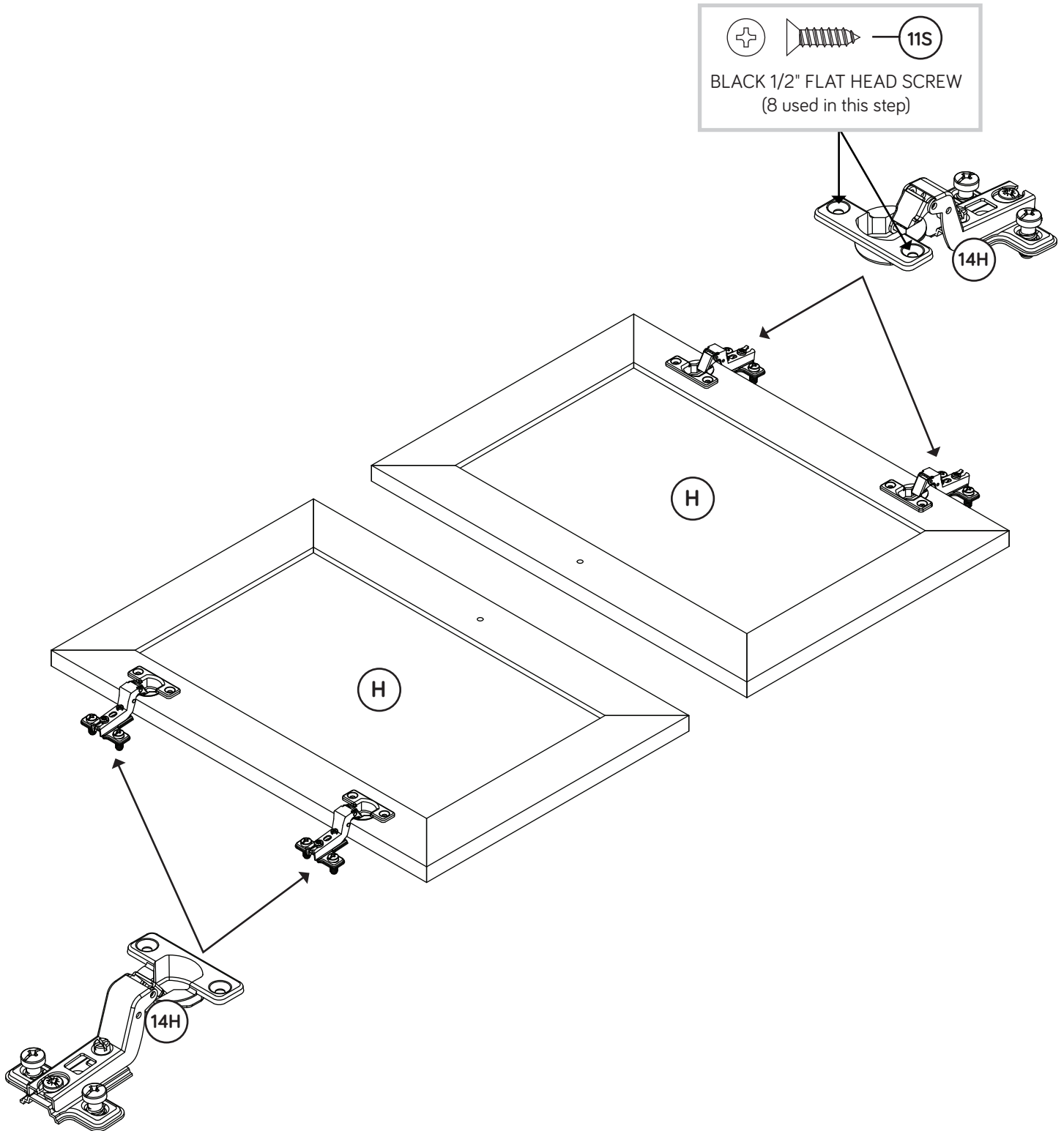
# Step 14

- ✚ Carefully turn your unit over onto its front edges. Unfold the BACK (G) and lay it over your unit.
- ✚ Make the bottom edge of the BACK (G) even with the bottom edge of the BOTTOM (F). Then, make equal margins along the side edges of the BACK (G). Push on opposite corners of your unit if needed to make it "square".
- ✚ Fasten the BACK (G) to your unit using the NAILS (1N).
- ✚ **NOTE:** Be sure to tap NAILS into the holes that line up over the UPRIGHTS (C and D).
- ✚ **NOTE:** Perforations have been provided for access through the BACK. Carefully cut out the holes needed.



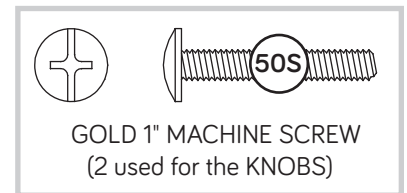
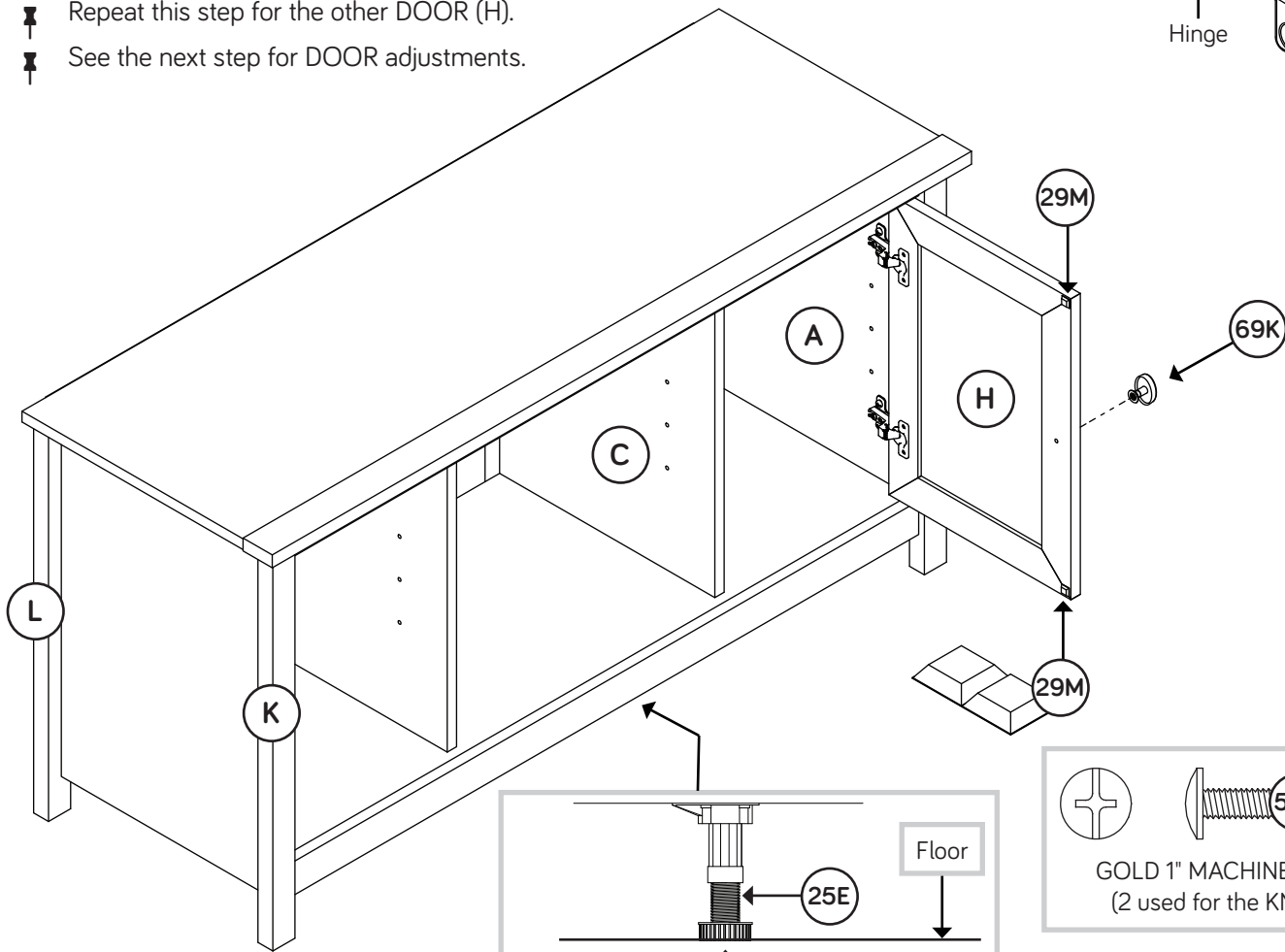
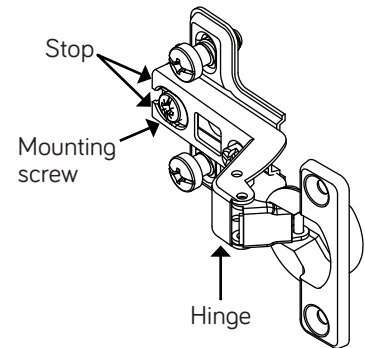
# Step 15

- Fasten two HINGES (14H) to each DOOR (H). Use eight BLACK 1/2" FLAT HEAD SCREWS (11S).



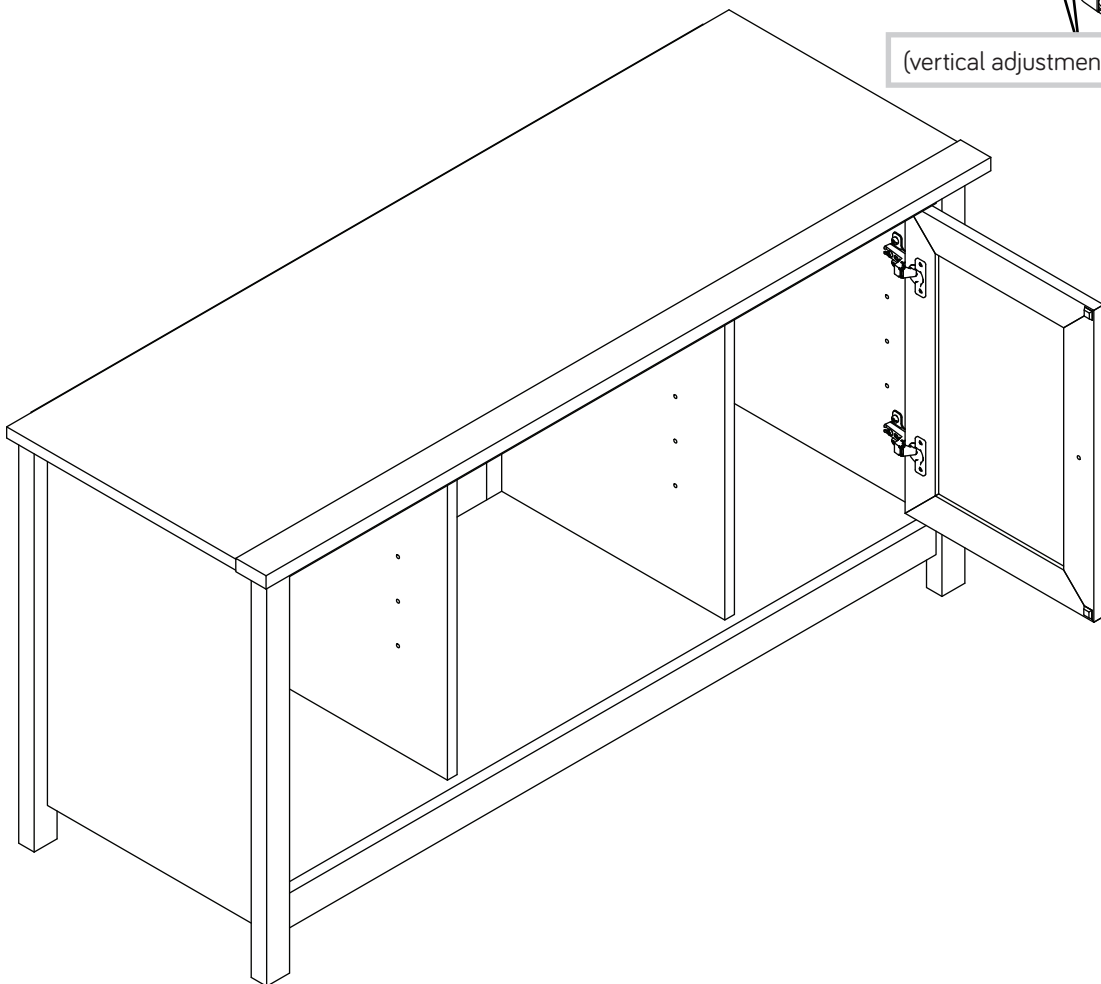
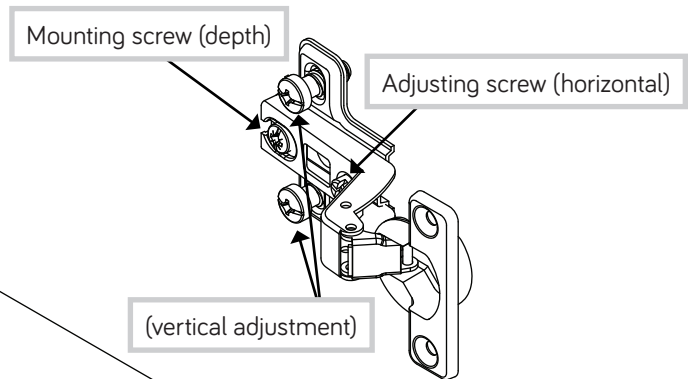
# Step 16

- ✚ Carefully stand your unit upright.
- ✚ Position your unit in its final location. Turn the ADJUSTABLE FOOT (25E) downward until it touches the floor.
- ✚ **IMPORTANT:** The ADJUSTABLE FOOT should not extend beyond the bottom edges of the LEGS (K and L).
- ✚ Before fastening the DOOR (H) to your unit, be sure the mounting screw is against the stops as shown in the right diagram. If it isn't, loosen the mounting screw to slide it against the stops. Then tighten the mounting screw.
- ✚ Fasten the DOOR (H) to the RIGHT END (A) as shown in the lower diagram. Use the screws in the HINGES. You should start each SCREW a few turns before completely tightening any of them.
- ✚ Fasten a KNOB (69K) to the DOOR (H). Use a GOLD 1" MACHINE SCREW (50S).
- ✚ Peel two BUMPERS from the BUMPER CARD (29M) and stick them on the DOOR (H) where they will come into contact with the RIGHT UPRIGHT (C).
- ✚ Repeat this step for the other DOOR (H).
- ✚ See the next step for DOOR adjustments.



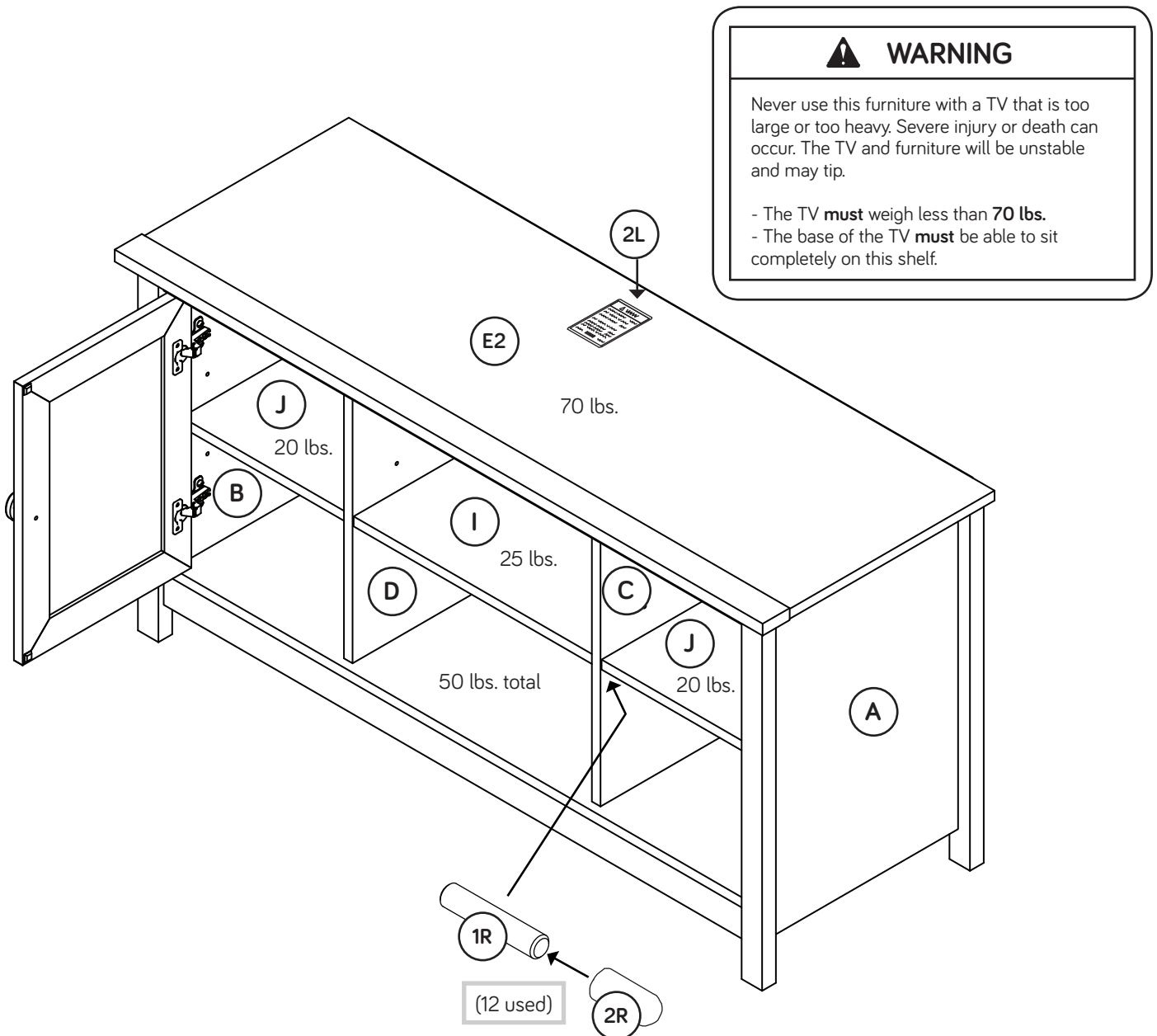
# Step 17

- ✚ Refer to the enlarged diagram to identify the parts on the HINGES.
- ✚ The DOORS may need some adjustments. Follow the text below to make needed adjustments.
- ✚ DOOR ADJUSTMENTS:  
To adjust the DOORS from side to side (horizontal), turn the adjusting screw in or out.
- ✚ To adjust the DOORS up and down (vertical), loosen both vertical adjustment screws. Move the DOORS up or down to the desired location. Tighten the screws after making adjustments.
- ✚ To adjust the DOORS in or out (depth), loosen the mounting screw one turn and move the DOORS in or out, as needed. Tighten the mounting screw after making adjustments.



# Step 18

- ✚ Push the RUBBER SLEEVES (2R) over the METAL PINS (1R). Insert the METAL PINS into the hole locations of your choice in the ENDS (A and B) and UPRIGHTS (C and D). Set the ADJUSTABLE SHELVES (I and J) onto the METAL PINS.
- ✚ Apply the WARNING LABEL (2L) to the TOP (E2). You should be able to read the label when the TV is removed from the unit. When the TV is in place, it should hide the label. Peel off the backing and apply the label as shown in the diagram.
- ✚ **NOTE:** This is a permanent label intended to last for the life of the product. Once applied, do not try to remove it.
- ✚ **NOTE:** Please read the back pages of the instruction booklet for important safety information.
- ✚ This completes assembly. Clean with your favorite furniture polish or a damp cloth. Wipe dry.



 **WARNING**

Please use your furniture correctly and safely. Improper use can cause safety hazards, or damage to your furniture or household items. Carefully read the following safety information.

Death or serious injury may occur when children climb on audio and/or video equipment furniture. A remote control or toys placed on the furnishing may encourage a child to climb on the furnishing and as a result may tip over onto the child.

**NEVER** allow children to climb or play with the TV or furnishing supporting the TV.

**NEVER** place toys, food, remote, etc. on top of the TV or TV furnishing.

**ALWAYS** use either the safety hardware as instructed or other wall anchoring device.

Relocating audio and/or video equipment to furniture not specifically designed to support audio and/or video equipment may result in death or serious injury due to furniture collapse or over turning onto a child.

**NEVER** place a TV on furniture that is not intended to support a TV.

**NEVER** exceed the maximum size and weight of the TV shown in the instructions.

Be sure to apply the TV warning label as shown in the instructions.

Overloading drawers and shelves may result in furniture that can break or sag, or tip-over which may result in injury.

**NEVER** exceed the weight limits shown in the instructions.

Place the heavier items on lower shelves as far back from the front as possible.

Load the bottom surfaces first to avoid top-heavy furniture.

Moving furniture that is not designed to be moved or equipped with casters may result in injury or damage to furnishings or personal property.

**ALWAYS** unload shelves and drawers, starting with the top surfaces, before moving.

**NEVER** push or pull furniture on carpet. Have a friend help lift properly to move and/or reposition it.