

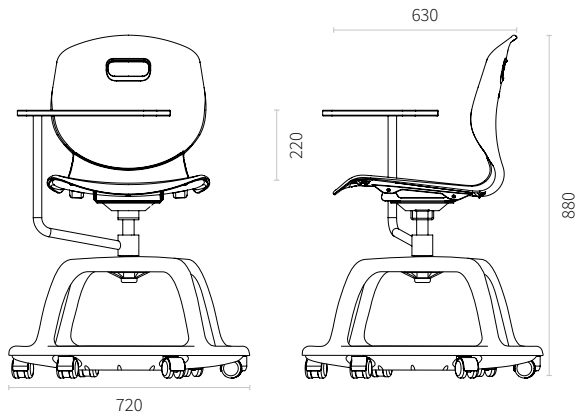
Arco

TA10

COMMUNITY WITH STORAGE BASE & PERSONAL WORKSPACE SPECIFICATION

The Bag Base with arm tablet chair has been thoughtfully designed with personal space management in mind. Perfect for collaboration.

- Conforms to BS EN 1729: Part 1& 2 - Strength, Stability and Ergonomics
- 100% Recyclable
- Fire Resistant
- Antimicrobial
- Easy to clean and tested for use with chlorine based cleaners
- 5 year guarantee



DOWNLOAD
CAD
MODELS

DOWNLOAD
PRODUCT
IMAGES



SHELL COLOURS



FRAME COLOURS



SKU	TA10
PRODUCT NAME	COMMUNITY WITH STORAGE BASE & PERSONAL WORKSPACE
COLOUR	Marigold / Coral / Grape / Forest / Steel Blue / Anthracite
MATERIAL	PP1100 + 4% Glass Fibre
BASE/FRAME MATERIAL	Polypropylene base
CERTIFICATIONS	Conforms to BS EN 1729 Part 1 & 2 Antimicrobial
FIRE RET LEVEL	UL94 V-2
COMPONENT GUARANTEE	5 Years
USAGE RECOMMENDED	8 Hours
WEIGHT TOLERANCE	115kg
GROSS WEIGHT	N/A
NETT WEIGHT	10.9kg
BOXED VOLUME	N/A
EFFECTIVE VOLUME	N/A
BOXED WIDTH	N/A
BOXED DEPTH	N/A
BOXED HEIGHT	N/A

PRODUCT WIDTH	720
PRODUCT DEPTH	650
PRODUCT HEIGHT	880
CHAIR SEAT HEIGHT	470
CHAIR SEAT WIDTH	425
CHAIR SEAT DEPTH	410
CHAIR BACK HEIGHT	425
CHAIR BACK WIDTH	405
MECHANISM TYPE	N/A
ANTI TILT MECHANISM	N/A
ARM TYPE	Personal Workspace
ARM HEIGHT	N/A
GAS LIFT COLOUR	N/A
GAS LIFT SIZE	N/A
CASTOR SIZE	N/A
FOOT TYPE	N/A
STACK QTY	N/A