

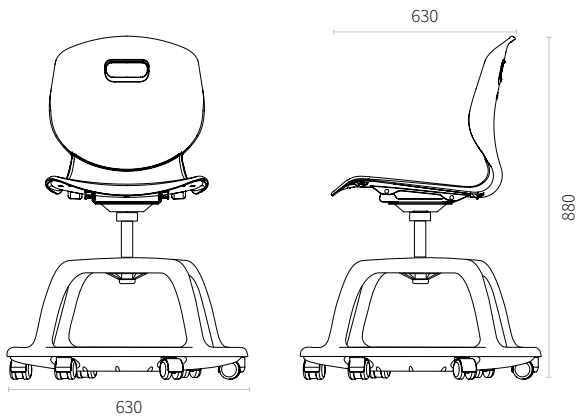
# Arco

TA9

## COMMUNITY WITH STORAGE BASE SPECIFICATION

The Bag Base and additional arm tablet chair has been thoughtfully designed with personal space management in mind. Perfect for collaboration.

- Conforms to BS EN 1729: Part 1& 2 - Strength, Stability and Ergonomics
- 100% Recyclable
- Fire Resistant
- Antimicrobial
- Easy to clean and tested for use with chlorine based cleaners
- 5 year guarantee



DOWNLOAD  
CAD  
MODELS

DOWNLOAD  
PRODUCT  
IMAGES



### SHELL COLOURS



### FRAME COLOURS



SKU	TA9
PRODUCT NAME	COMMUNITY WITH STORAGE BASE
COLOUR	Marigold / Coral / Grape / Forest / Steel Blue / Anthracite
MATERIAL	PP1100 + 4% Glass Fibre
BASE/FRAME MATERIAL	Polypropylene base
CERTIFICATIONS	Conforms to BS EN 1729 Part 1 & 2 Antimicrobial
FIRE RET LEVEL	UL94 V-2
COMPONENT GUARANTEE	5 Years
USAGE RECOMMENDED	8 Hours
WEIGHT TOLERANCE	115kg
GROSS WEIGHT	N/A
NETT WEIGHT	7.3kg
BOXED VOLUME	N/A
EFFECTIVE VOLUME	N/A
BOXED WIDTH	N/A
BOXED DEPTH	N/A
BOXED HEIGHT	N/A

PRODUCT WIDTH	630
PRODUCT DEPTH	630
PRODUCT HEIGHT	880
CHAIR SEAT HEIGHT	470
CHAIR SEAT WIDTH	425
CHAIR SEAT DEPTH	410
CHAIR BACK HEIGHT	425
CHAIR BACK WIDTH	405
MECHANISM TYPE	N/A
ANTI TILT MECHANISM	N/A
ARM TYPE	N/A
ARM HEIGHT	N/A
GAS LIFT COLOUR	N/A
GAS LIFT SIZE	N/A
CASTOR SIZE	N/A
FOOT TYPE	N/A
STACK QTY	N/A