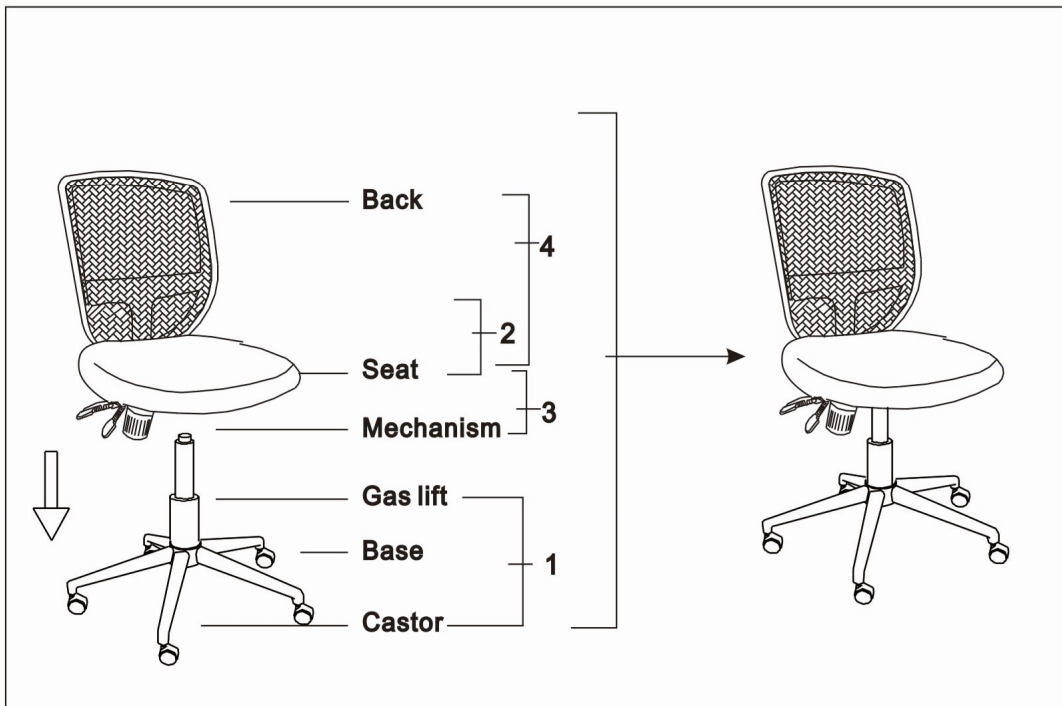
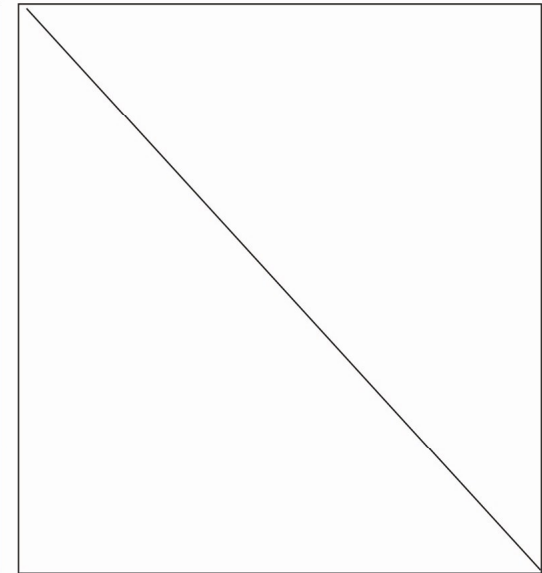
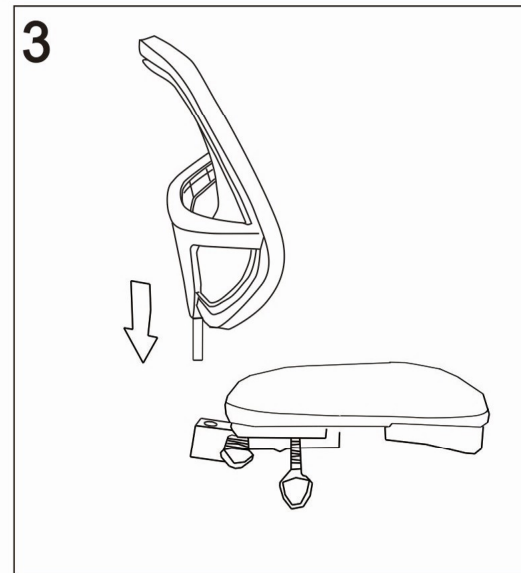
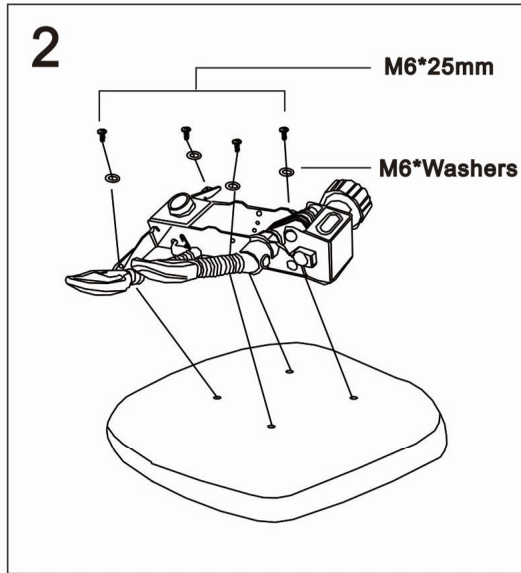
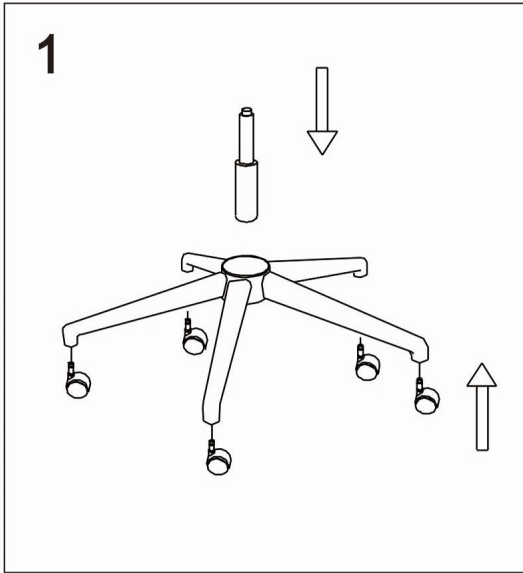




# ASSEMBLY INSTRUCTIONS

"functional seating for today's workplace"

MODEL:BCM/K512



|         |   |    |   |
|---------|---|----|---|
|         |   |    |   |
| M6*25mm | 4 | M6 | 4 |
|         |   |    |   |
|         |   |    |   |
|         |   |    |   |
|         |   |    |   |



## PREVENTIVE MAINTENANCE AND WARNING

- ONLY FOR SEATING ONE PERSON AT A TIME.
- DO NOT USE CHAIR AS STEP STOOL OR LADDER.
- DO NOT USE CHAIR UNLESS ALL BOLTS, SCREWS ARE TIGHT.
- AT LEAST EVERY SIX MONTHS CHECK ALL BOLTS AND SCREWS TO BE SURE THEY ARE TIGHT.
- IF ANY PARTS ARE MISSING, BROKEN, DAMAGED OR WORN, STOP USING THE PRODUCT UNTIL REPAIRS ARE MADE WITH FACTORY AUTHORIZED PARTS.
- FAILURE TO FOLLOW THESE WARNINGS CAN RESULT IN SERIOUS INJURY.