

CARBON MESH CHAIR

ASSEMBLY INSTRUCTIONS-PLEASE KEEP FOR FUTURE REFERENCE



Important-please read these instructions fully before starting assembly

Safety and Care Advice

Important – Please read these instructions fully before starting assembly

- Check you have all the components and tools listed on pages 2 and 3.
- Remove all fittings from the plastic bags and separate them into their groups.
- Keep children and animals away from the work area, small parts could choke if swallowed.
- Make sure you have enough space to layout the parts before starting.

- Do not stand or put weight on the product during assembly, this could cause damage.
- Assemble the item as close to its final position (in the same room) as possible.
- Assemble on a soft level surface to avoid damaging the unit or your floor.
- Parts of the assembly will be easier with 2 people.



- We do not recommend the use of power drill/drivers **for inserting screws**, as this could damage the unit. Only use hand screwdrivers.
- Dispose of all packaging carefully and responsibly.

Care and maintenance

- Only clean using a damp cloth and mild detergent, do not use bleach or abrasive cleaners.
- From time to time check that there are no loose screws on this unit.

- Do not stand on the chair.
- Do not use this chair as step ladder.
- This product should not be discarded with household

waste. Take to your local authority waste disposal centre.

Handy Hints

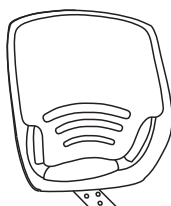
- Assemble all parts and bolts loosely during assembly, only once the product is complete should you fully tighten the bolts.
- Regularly check and ensure that all bolts and fittings are tightened properly.

Components - Parts

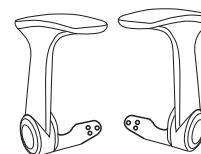
Please check you have all the parts listed below



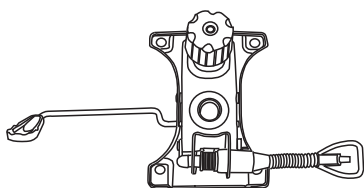
1 Seat x 1



2 Backrest x1



3 Left armrest x1 & Right armrest x 1



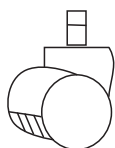
4 Seat plat eX1



5 Gas lift x 1



6 Base x 1

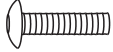
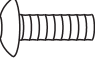
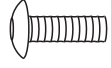
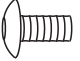








7 Castors x 5

Components - Fittings

Please check you have all the fittings listed below.

Note: The quantities below are the correct amount to complete the assembly.
In some cases more fittings may be supplied than are required.

<p>A  35mm Bolts X6</p>	<p>B  30mm Bolts X2</p>	<p>C  25mm Bolts X2</p>
<p>D  18mm Bolts X3</p>	<p>E  Spring washerX6</p>	<p>F  Spring washerX7</p>
<p>G  Washer X6X15mm</p>	<p>H  Washer X4X18mm</p>	<p>I  Washer X3X22mm</p>
<p>J  M5 Allen Key (supplied)</p>		

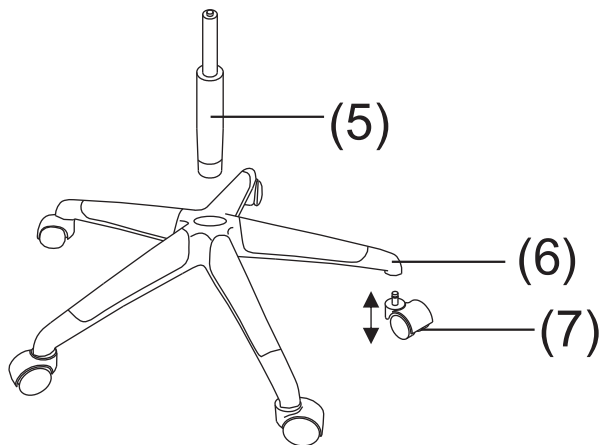
Assembly Instructions

Step 1

Fitting the base

a: Push all the five castors **7** into the underside of the base **6**.

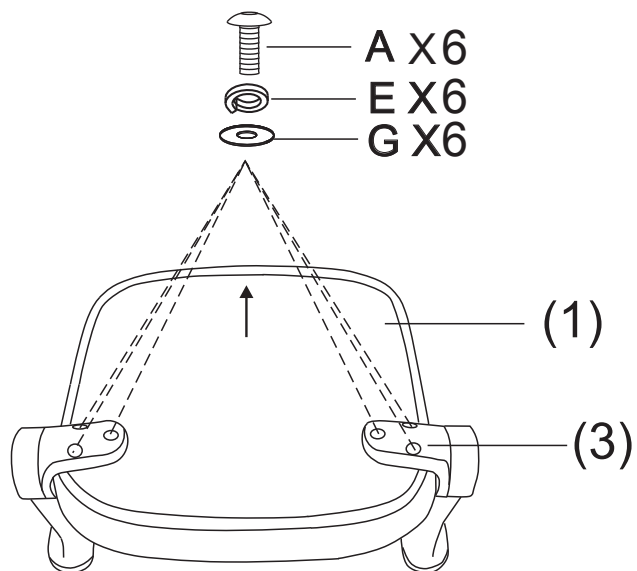
Insert the gas lift **5** into the base **6**.



Step 2

Fitting the Armrests

Use bolts **A** and washer **G** and spring washer **E** to fix the armrests **3** and seat **1**.

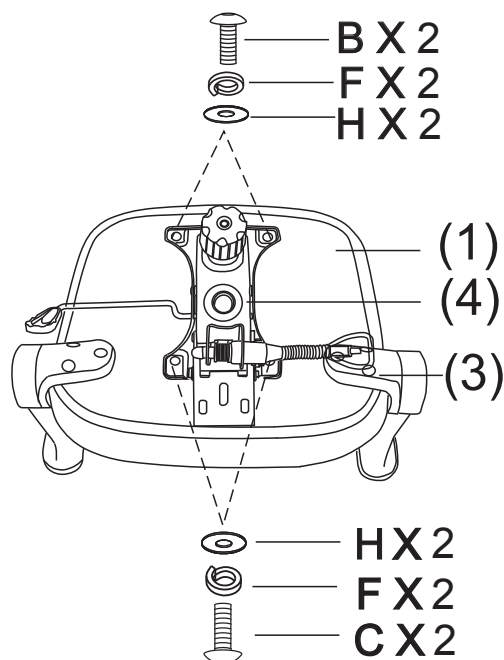


Assembly Instructions

Step 3

Fitting the Seat Cushion

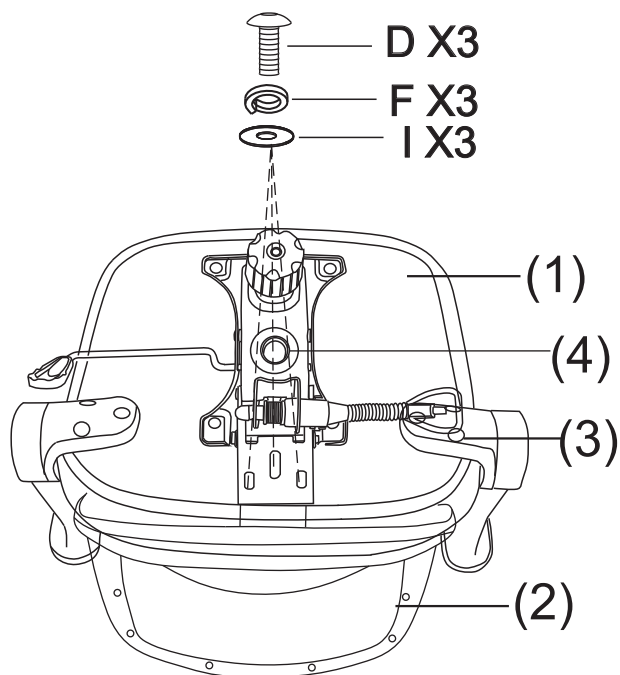
Use bolts **B** **C** and washer **H** and spring washer **F** to fix the seat plate **4** onto the seat **1**. Ensure the plate **4** is fitted to the seat with correct orientation.



Step 4

Fitting the Backrest

Use bolts **D** and washer **I** and spring washer **F** to fix the backrest **2** onto the seat plate **4**.



Assembly Instructions

Step 5

Carefully locate the seat **1** onto the base unit.

