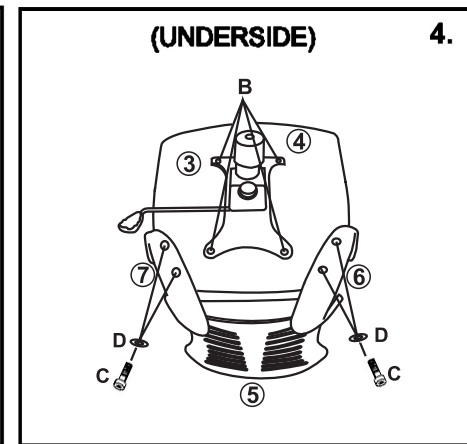
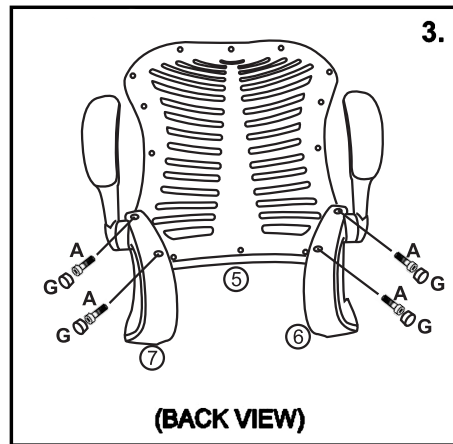
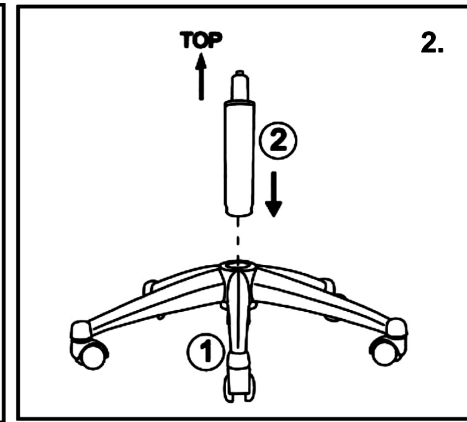
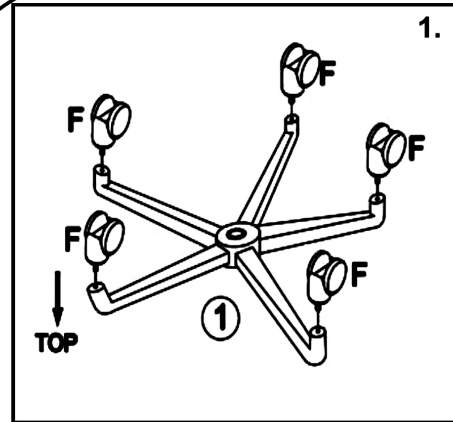
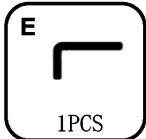
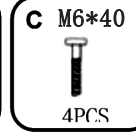
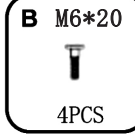
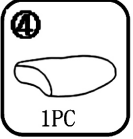
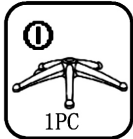


MERCURY II

Assembly Instructions

BCM/L1304

HOURLY USAGE:5-8HOURS



WARNING

USE THIS PRODUCT ONLY FOR SEATING ONE PERSON AT A TIME.
DO NOT USE THIS CHAIR AS A STEP STOOL/LADDER.
DO NOT SIT ON ANY PART OF THE CHAIR EXCEPT THE SEAT.
DO NOT USE CHAIR UNLESS ALL BOLTS, SCREWS AND KNOBS ARE TIGHT.