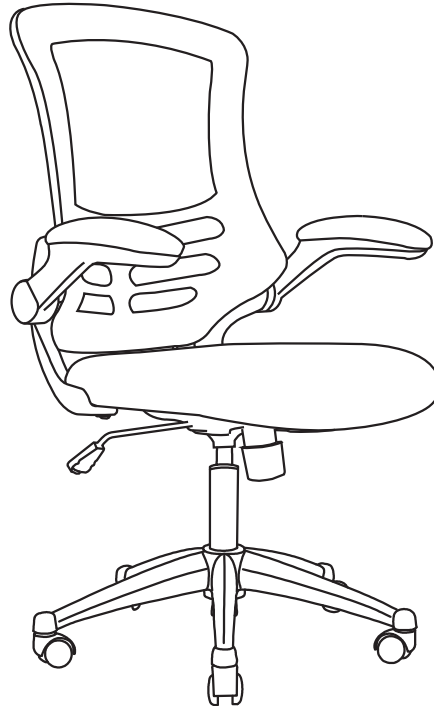


# LUNA



## ASSEMBLY INSTRUCTIONS

### **Before You Begin:**

Please identify all component parts and hardware pieces required before you begin. Carefully remove all of the components from the packaging and set aside for assembly. Assemble on a soft surface to prevent scratching during assembly.

### **Caution:**

Tighten all components securely before use. Failure to do so may result in personal injury. DO NOT use any sharp objects to open plastic wrapped components as damage to product or components may result.

### **Warning:**

**CHOKING HAZARD** - Small Parts. Adult Assembly Required.

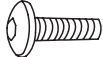
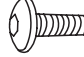

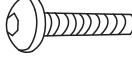



### **DO NOT ALLOW CHILDREN TO CLIMB ON FURNITURE**

Serious or fatal injuries can occur from furniture tipping over. You must install Tipping Restraint Hardware (where included) to help prevent the unit from tipping and causing accidental injury, instability, death or damage. The tipping restraint is intended only as a safety measure, it is not a substitute for proper adult supervision.

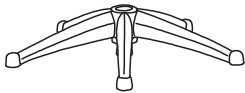
To help prevent furniture from tipping over it must be permanently attached to the wall. Anti-Tip Safety Wall Straps suitable for the unit weight and wall materials (if not included) should be purchased and installed



**Hardware:**

Part A		Bolt M6x25mm	QTY: 4			
Part B		Bolt M6x20mm	QTY: 4	Part E		Allen Wrench QTY: 1
Part C		Bolt M6x40mm	QTY: 4	Part F		Cap Cover QTY: 2
Part D		Flat Washer M6	QTY: 4	Part G		Cap Cover QTY: 2

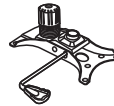
**Part 1: Base x1**



**Part 2: Cylinder Column x1**



**Part 3: Control Mechanism x1**



**Part 4: Seat x1**



**Part 5: Back Frame x1**



**Part 6: Left Arm x1**



**Part 7: Right Arm x1**

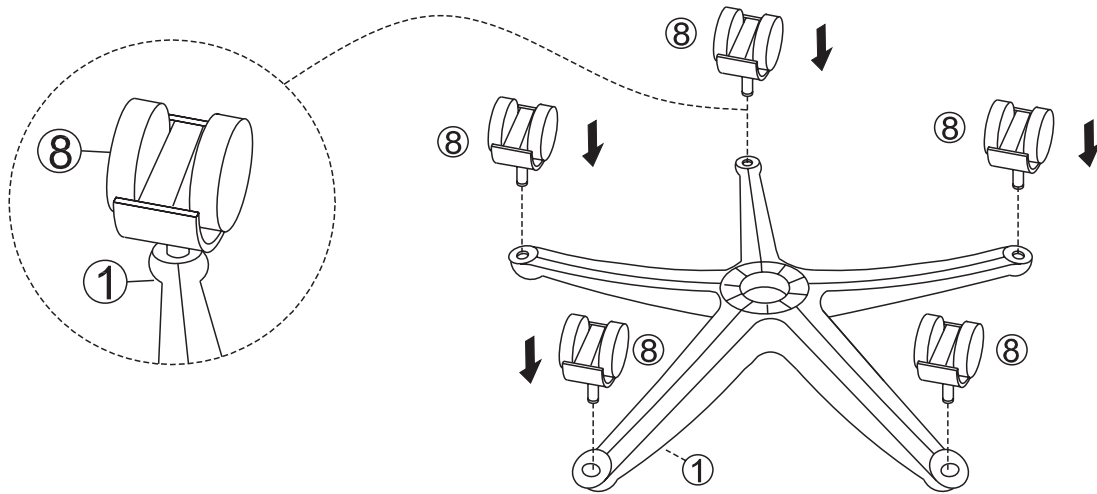


**Part 8: Caster x5**



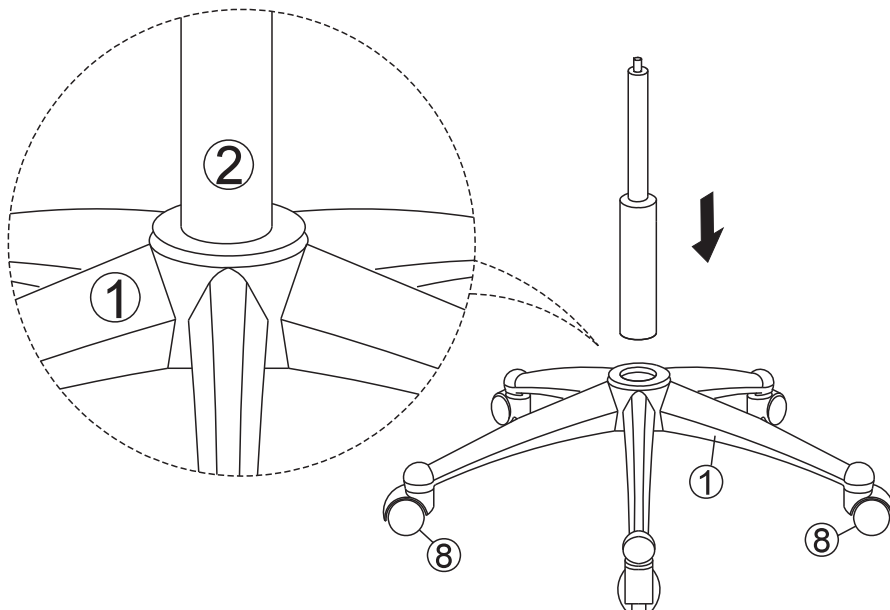
**STEP 1:**

Lay Base (Part 1) upside down on a smooth, clean surface.  
Insert (5) casters (Part 8) into the base as shown in diagram.



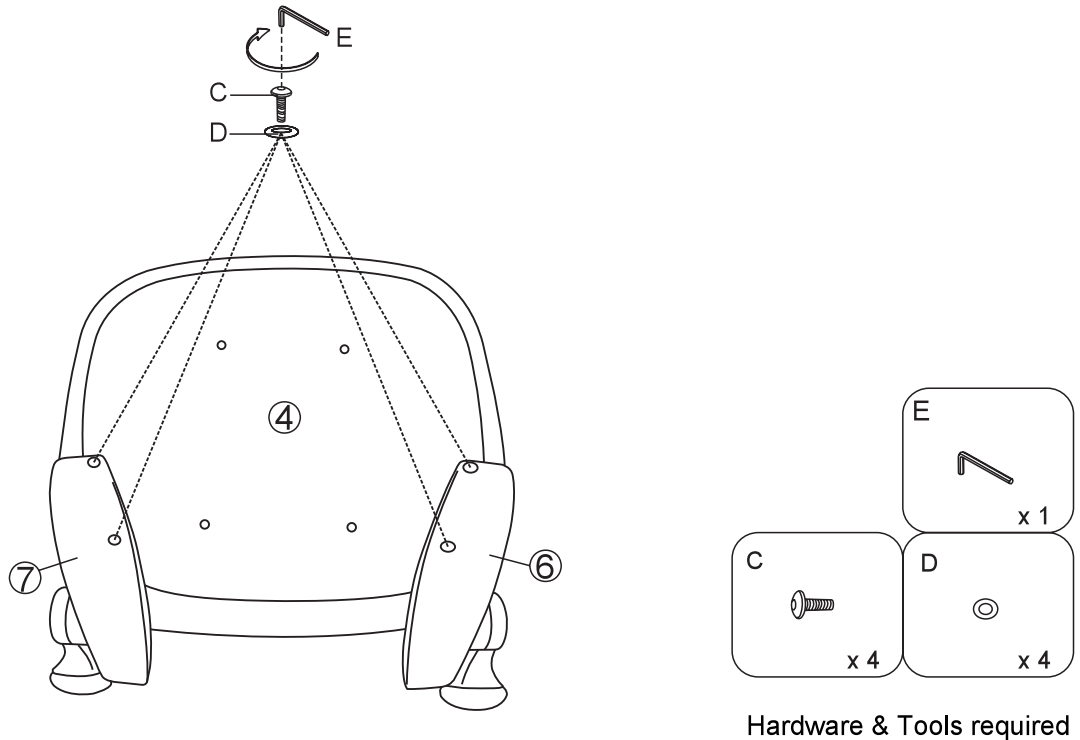
**STEP 2:**

Carefully turn over the assembled base from step 1.  
Insert the Cylinder Column (Part 2) as shown.



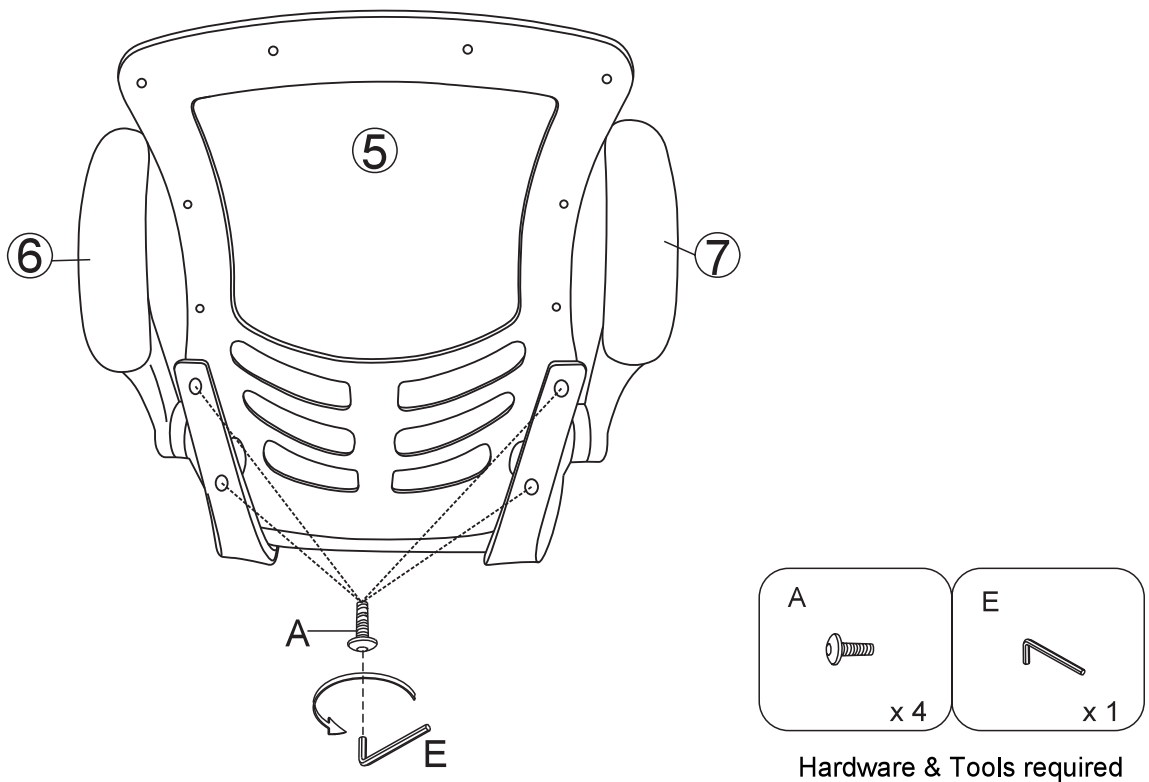
**STEP 3:**

Attach **Left Arm (Part 6)** and **Right Arm (Part 7)** to underside of the **Seat (Part 4)** by using (4) **M6x35mm Bolts (Part C)** and (4) **Flat Washers (Part D)**, as shown. Tighten **Bolts (Part C)** by using **Allen Wrench (Part E)** as shown.



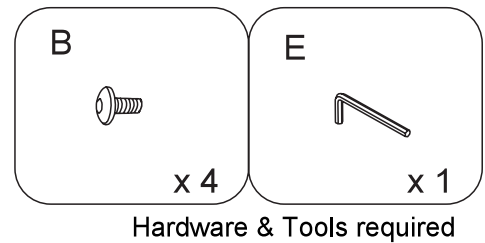
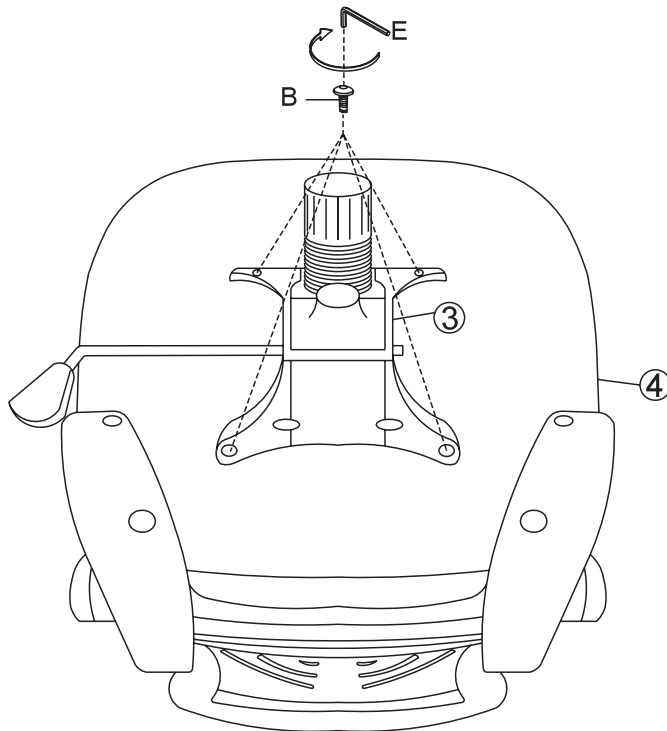
**STEP 4:**

Attach **Left Arm (Part 6)** and **Right Arm (Part 7)** to the back of **Back Frame (Part 5)** using (4) **M6x25mm Bolts (Part A)**, as shown. Don't tighten **Bolts (Part A)** by using **Allen Wrench (Part E)** as shown.



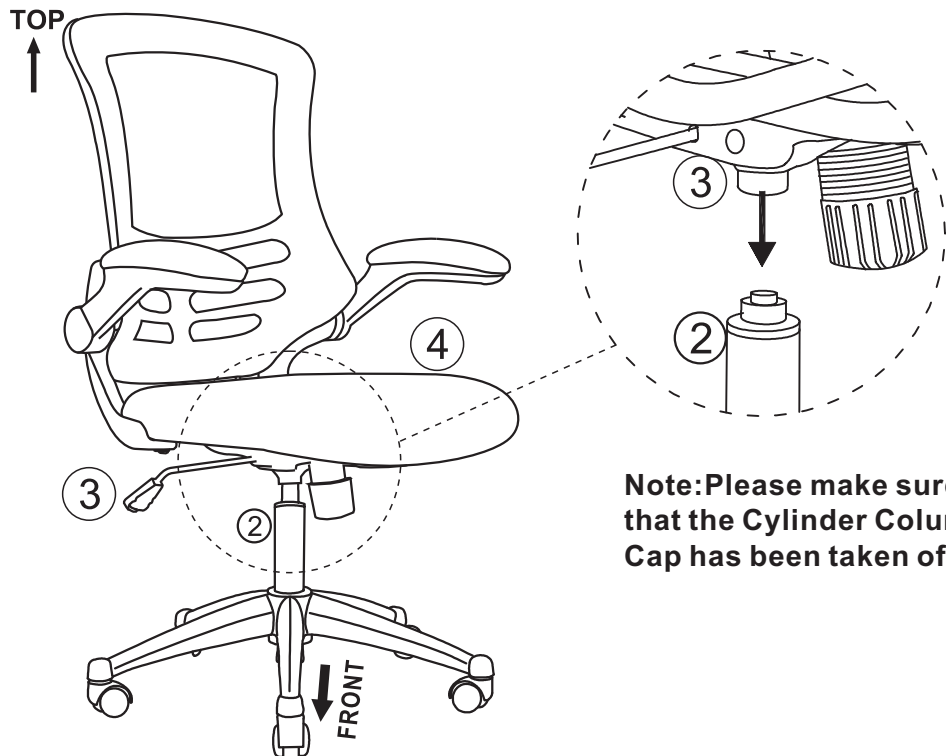
**STEP 5:**

Attach **Control Mechanism (Part 3)** to the **Seat (Part 4)** using **(4) M6x40mm Bolts (Part B)**, as shown. Tighten **Bolts (Part B)** by using **Allen Wrench (Part E)** as shown.



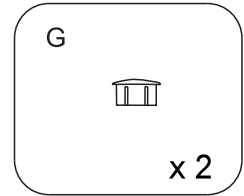
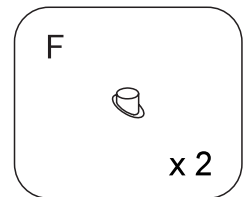
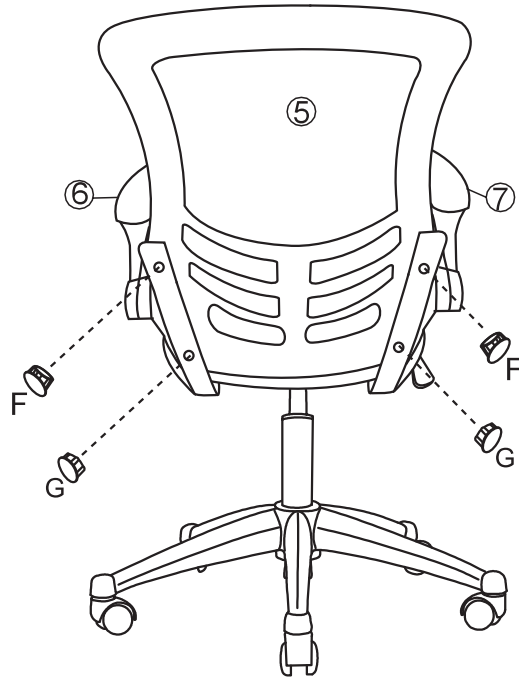
**STEP 6:**

Insert assembled top unit from Step 7 onto the **Cylinder Column (Part 2)** as shown.



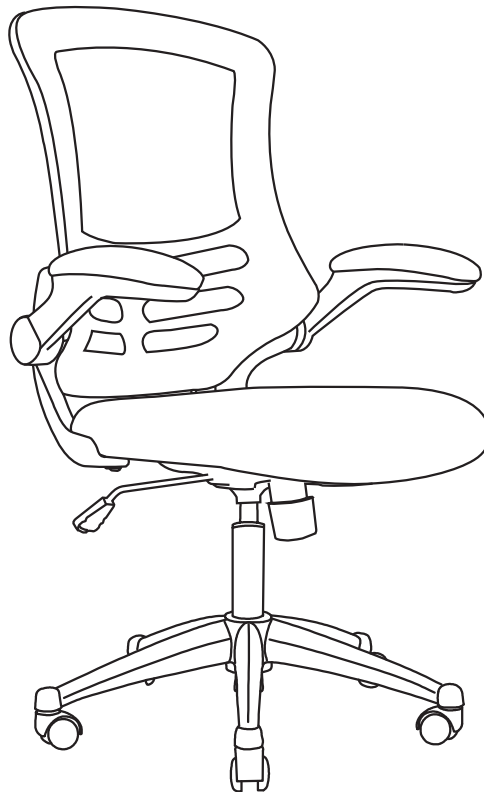
**STEP 7:**

Tighten all **Bolts** by using **Allen Wrench (Part E)** first, Attach **Cap Cover (Part F)** and **Cap Cover (Part G)** to the holes on **Left Arm (Part 6)** and **Right Arm (Part 7)** by hand as shown.



Hardware & Tools required

**STEP 8:**





\* **Flip back armrest**



\* **Chair Height Adjustment**

- To increase chair height pull lever upward while lifting body weight slightly off the seat.
- Release lever at desired height.

- To lower chair height sit fully into the chair and pull lever upward.
- Release lever at desired height.



\* **Chair tension function**

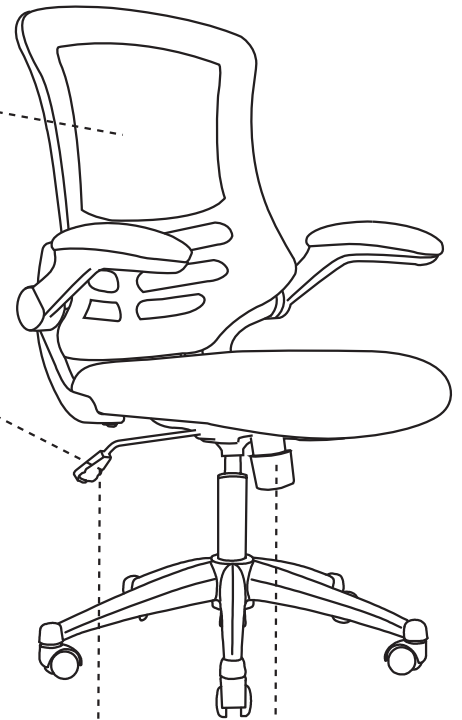
- Pull lever out to unlock & allow chair to tilt back & forth.

- Push lever to lock. Chair will have slight movement in locked position.



\* **Adjustable Chair Tension Speed**

- Turn continuously to adjust how quickly chair tilts back & forth.



Note: If adjusting while sitting in chair:  
Turn knob left to tighten tension.  
Turn knob right to loosen tension.