

The original **desktop**.

Moderna L-Shaped Desk

Model 5427968

NOTE: THIS INSTRUCTION
BOOKLET CONTAINS **IMPORTANT**
SAFETY INFORMATION.

PLEASE READ AND KEEP FOR
FUTURE REFERENCE.

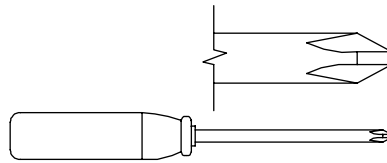
English pg 1-28

Lot # 553337

Table of Contents

Assembly Tools Required

Part Identification	2-3
Hardware Identification	4
Hardware Usage Guide	5
Assembly Steps	6-28
Français	29-32
Español	33-36
Safety	37-38
Warranty	39



No. 2 Phillips Screwdriver
Tip Shown Actual Size

Part Identification

Now you know
our ABCs.



† While not all parts are labeled, some of the parts will have a label or an inked letter on the edge to help distinguish similar parts from each other. Use this part identification to help identify similar parts.

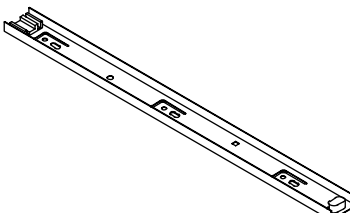
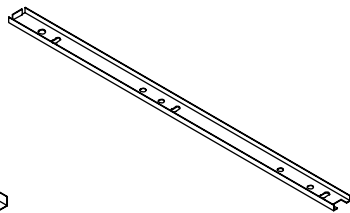
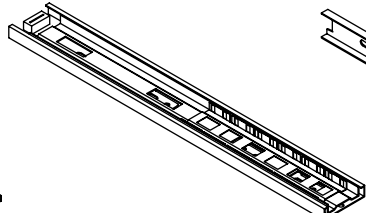
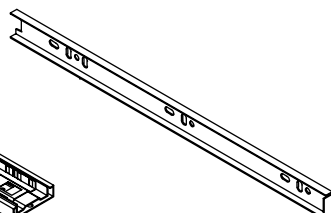
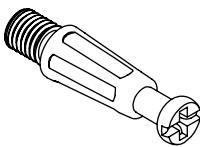
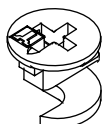
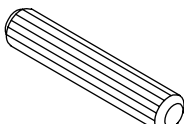
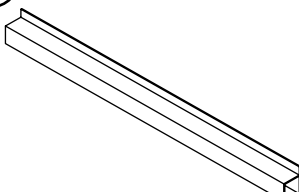
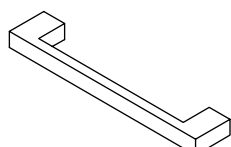
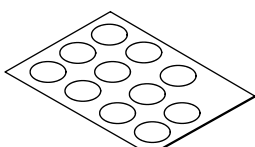
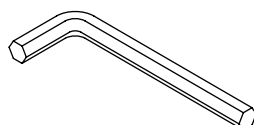
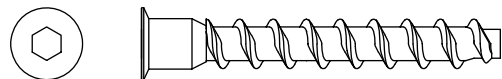
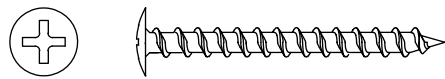


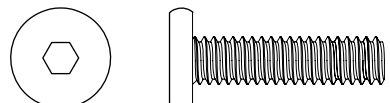
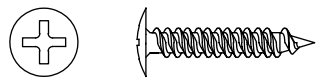
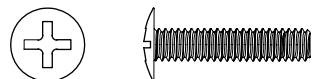
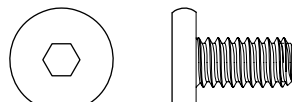
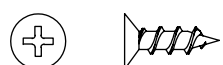
A	SHELF (1)	N	LARGE RIGHT DRAWER SIDE (1)	Z	LEG (1)
B	BOTTOM (1)	O	SMALL DRAWER BACK (1)	AA	LONG UPPER BRACE (1)
C	LEFT END (1)	P	LARGE DRAWER BACK (1)	BB	SHORT UPPER BRACE (1)
D	RIGHT END (1)	Q	LARGE DRAWER BOX FRONT (1)	CC	LOWER SHORT BRACE (1)
E	BRACE (1)	R	SMALL DRAWER BOTTOM (1)	DD	LOWER LONG BRACE (1)
F	BACK (1)	S	LARGE DRAWER BOTTOM (1)	EE	UPPER END BRACE (1)
G	SMALL LEFT DRAWER SIDE (1)	T	LARGE TOP (1)	FF	RIGHT FRAME (1)
H	SMALL RIGHT DRAWER SIDE (1)	U	SMALL TOP (1)	GG	CENTER FRAME (1)
K	LARGE DRAWER FRONT (1)	V	LONG PANEL (1)	HH	LOWER END BRACE (2)
L	SMALL DRAWER FRONT (1)	X	SHORT PANEL (1)		
M	LARGE LEFT DRAWER SIDE (1)	Y	LEFT FRAME (1)		

Hardware Identification

† Screws are shown actual size. You may receive extra hardware with your unit.

(EXTENSION SET SHOWN SEPARATED)

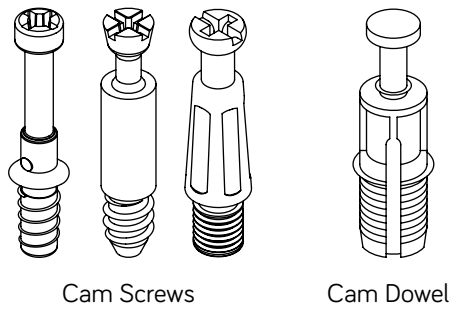
(EXTENSION SET SHOWN SEPARATED)

- | | | | |
|--|--|--|--|
| <p>1 NARROW EXTENSION RAIL - 2</p>  | <p>2 NARROW EXTENSION SLIDE - 2</p>  | <p>3 WIDE EXTENSION RAIL - 2</p>  | <p>4 WIDE EXTENSION SLIDE - 2</p>  |
| <p>5 CAM SCREW - 17</p>  | <p>6 HIDDEN CAM - 17</p>  | <p>7 WOOD DOWEL - 22</p>  | <p>8 FILE GLIDE - 4</p>  |
| <p>10 PULL - 2</p>  | <p>11 APPLIQUE CARD - 1</p>  | <p>12 L-WRENCH - 1</p>  | |
| <p>13 1-7/8" HEX HEAD SCREW - 8</p>  | <p>14 1-9/16" PAN HEAD SCREW - 4</p>  | | |
| <p>15 1-1/4" MACHINE SCREW - 2</p>  | <p>16 1-3/16" FLAT HEAD SCREW - 12</p>  | | |
| <p>17 1" HEX HEAD SCREW - 28</p>  | <p>18 7/8" PAN HEAD SCREW - 4</p>  | | |
| <p>19 13/16" MACHINE SCREW - 2</p>  | <p>20 1/2" HEX HEAD SCREW - 3</p>  | | |
| <p>21 1/2" FLAT HEAD SCREW - 24</p>  | | | |

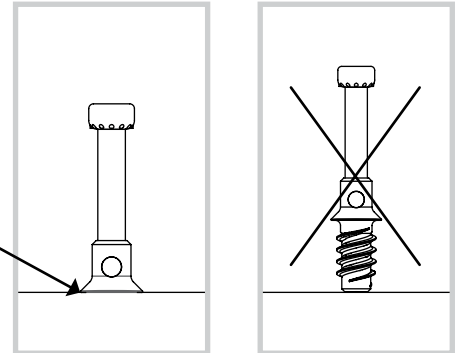
Hardware Usage Guide

HOW TO USE A HIDDEN CAM & CAM SCREW OR CAM DOWEL

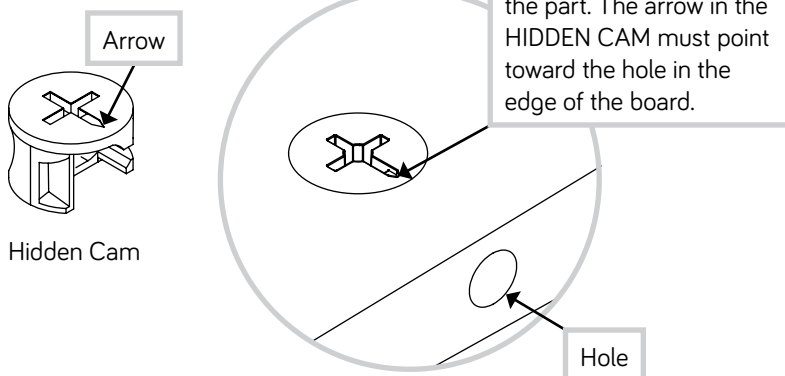
1. NOTE: Various CAM SCREWS or a CAM DOWEL may be used.



Turn the CAM SCREW or gently tap the CAM DOWEL until the shoulder is against the surface of the part.

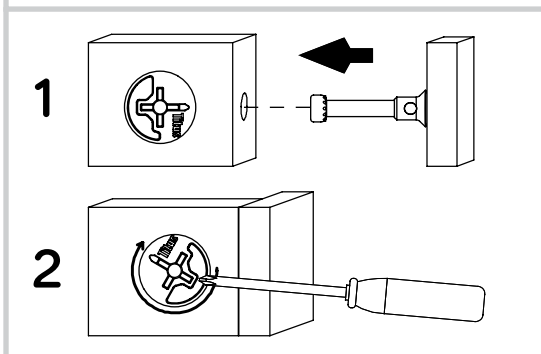


2.



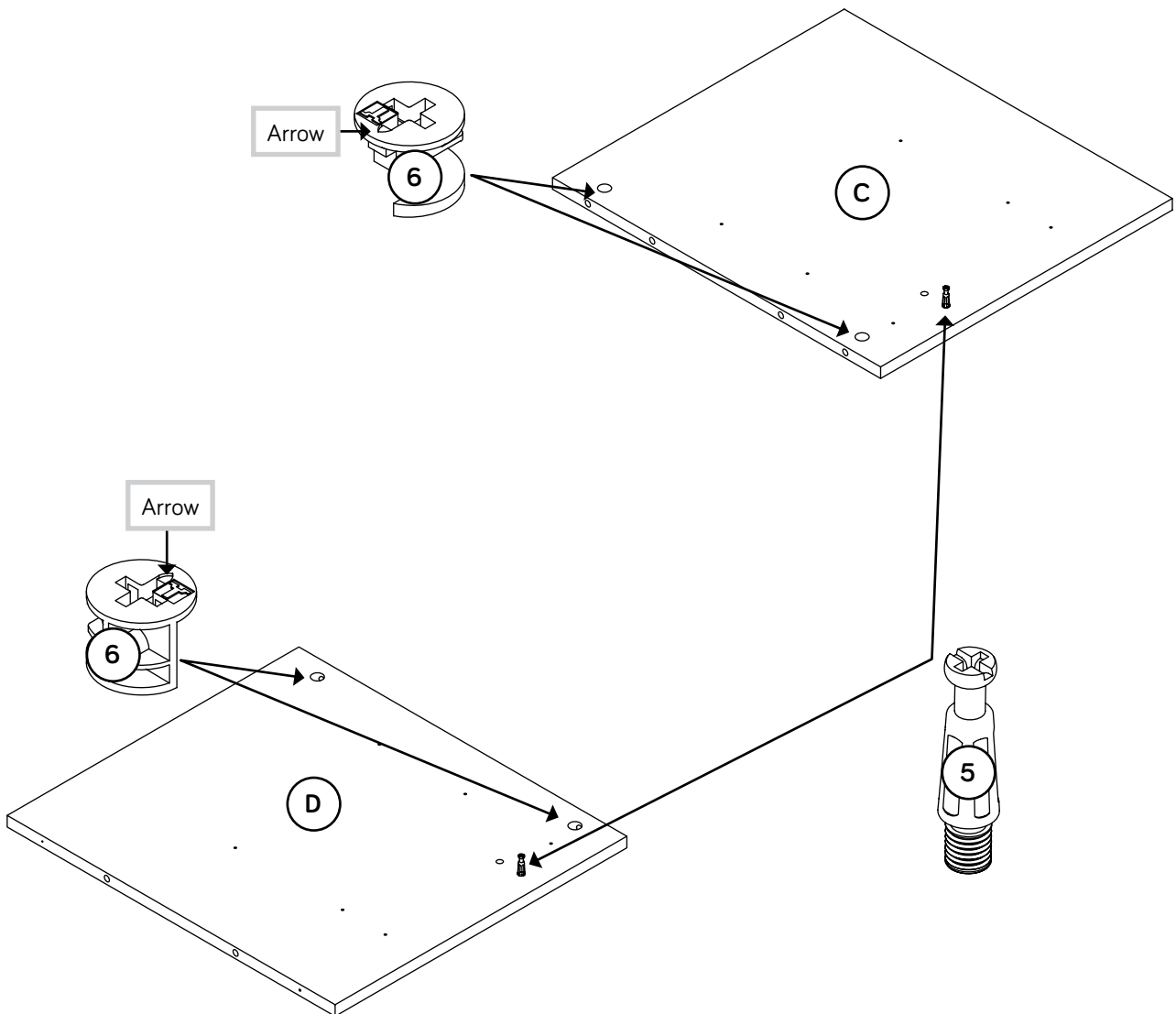
3.

Insert the CAM SCREW or CAM DOWEL into the HIDDEN CAM. Tighten the HIDDEN CAM.



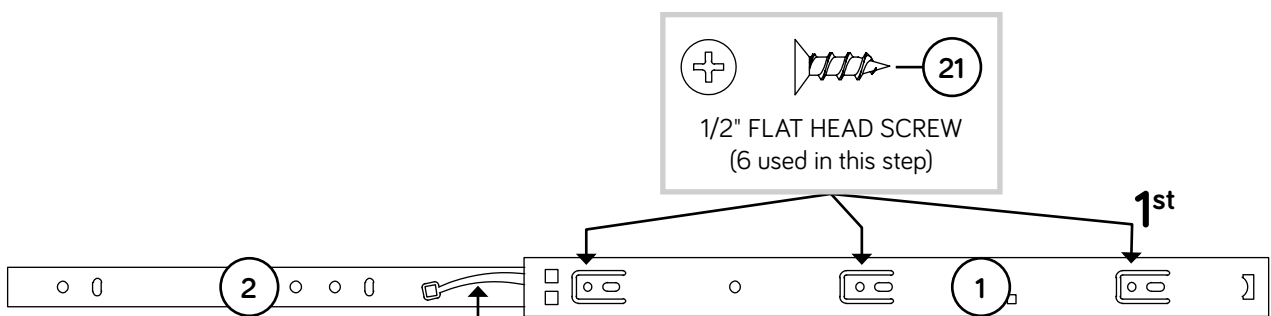
Step 1

- ✚ Assemble your unit on a carpeted floor or on the empty carton to avoid scratching your unit or the floor.
- ✚ Push four HIDDEN CAMS (6) into the ENDS (C and D).
- ✚ Turn two CAM SCREWS (5) into the exact holes shown in the ENDS (C and D).

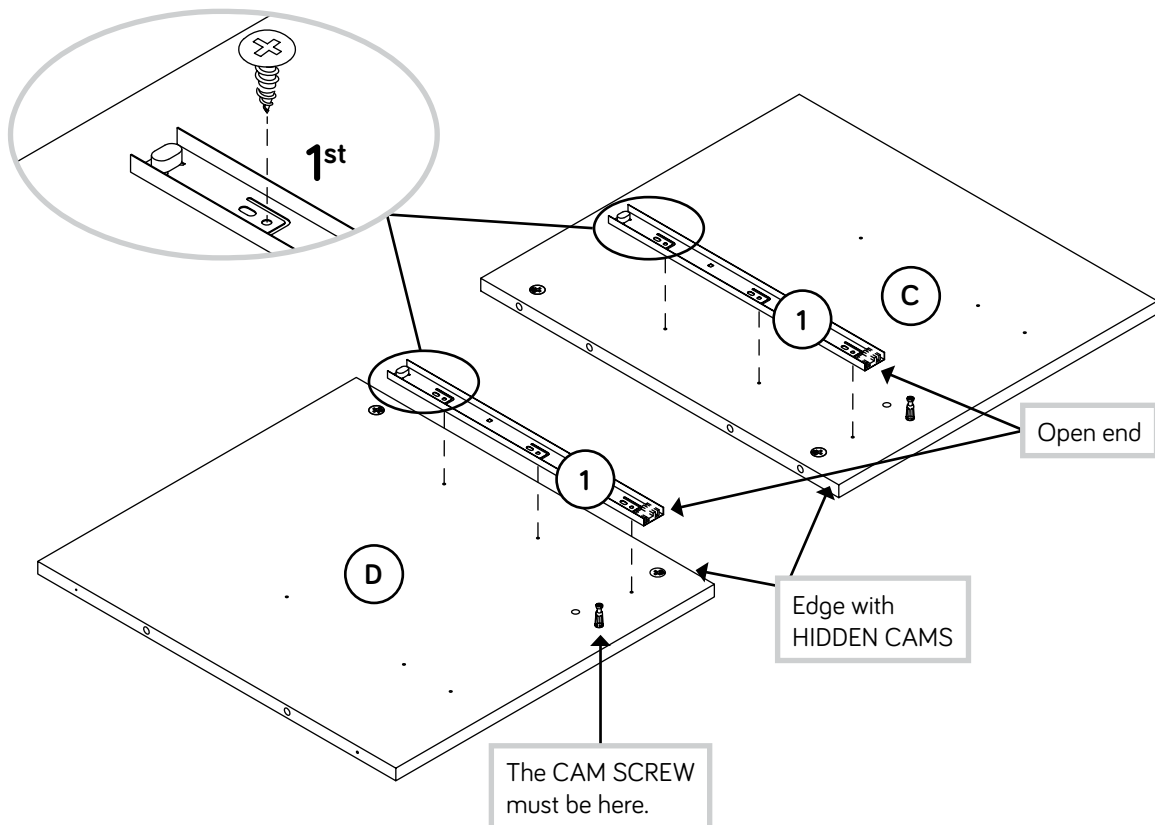


Step 2

- ✚ Separate the NARROW EXTENSION SLIDES (2) from the NARROW EXTENSION RAILS (1) as shown in the upper diagram below. Be prepared, the parts are greasy.
- ✚ Fasten the NARROW EXTENSION RAILS (1) to the ENDS (C and D). Use six 1/2" FLAT HEAD SCREWS (21) through the exact holes shown.
- ✚ NOTE: For each EXTENSION RAIL, turn a SCREW into the 1st hole shown in the enlarged diagram. Then, slide the inner cartridge of the EXTENSION RAIL in to find the other two holes that line up with the holes in the END. Turn a SCREW into each of these holes..
- ✚ NOTE: The NARROW EXTENSION SLIDES will be used later for the SMALL DRAWER.

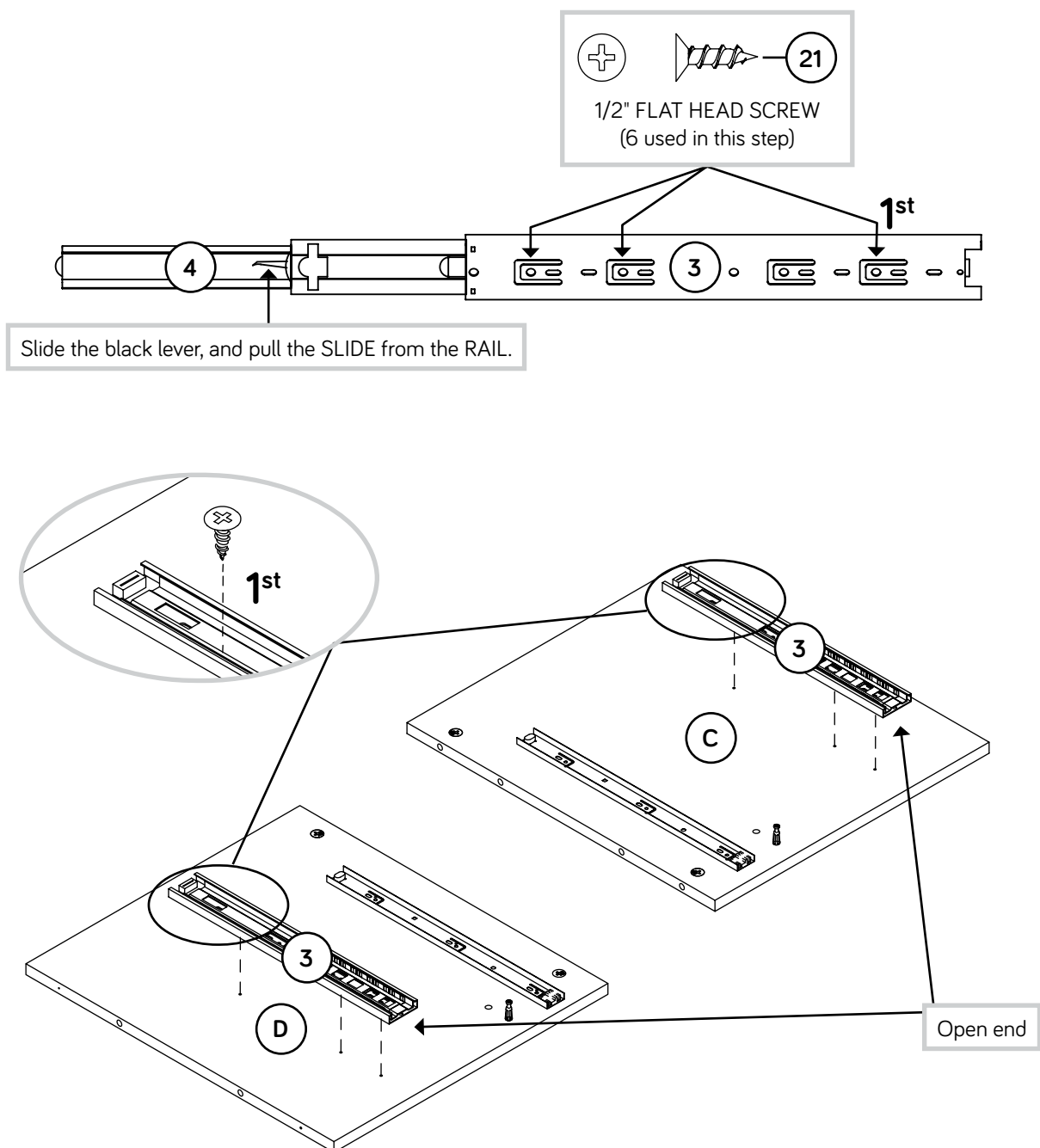


Slide the black lever, and pull the SLIDE from the RAIL.



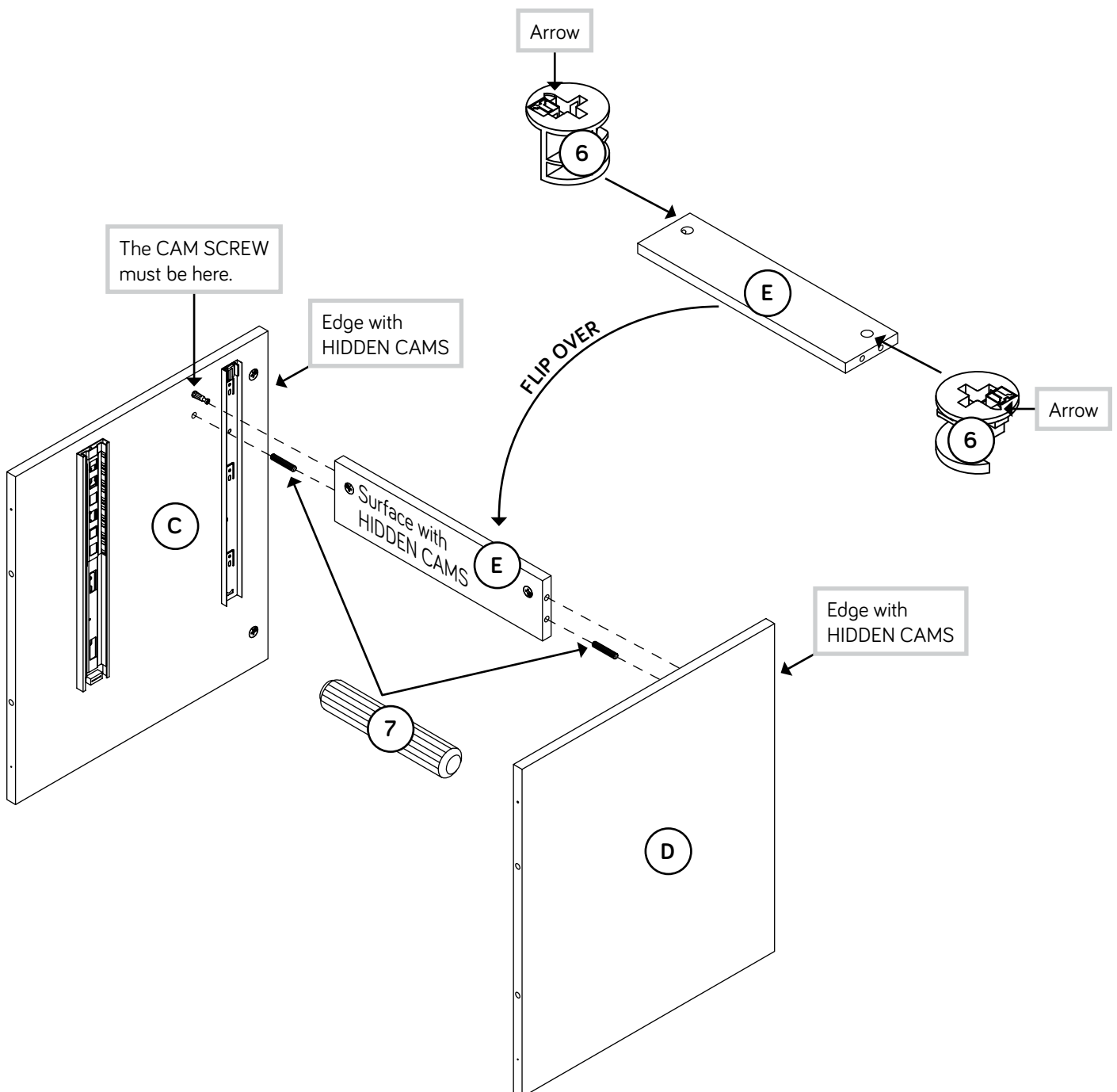
Step 3

- ✚ Separate the WIDE EXTENSION SLIDES (4) from the WIDE EXTENSION RAILS (3) as shown in the upper diagram below. Be prepared, the parts are greasy.
- ✚ Fasten the WIDE EXTENSION RAILS (3) to the ENDS (C and D). Use six 1/2" FLAT HEAD SCREWS (21) through the exact holes shown.
- ✚ NOTE: For each EXTENSION RAIL, turn a SCREW into the 1st hole shown in the enlarged diagram. Then, slide the inner cartridge of the EXTENSION RAIL in to find the other two holes that line up with the holes in the END. Turn a SCREW into each of these holes.
- ✚ NOTE: The WIDE EXTENSION SLIDES will be used later for the LARGE DRAWER.



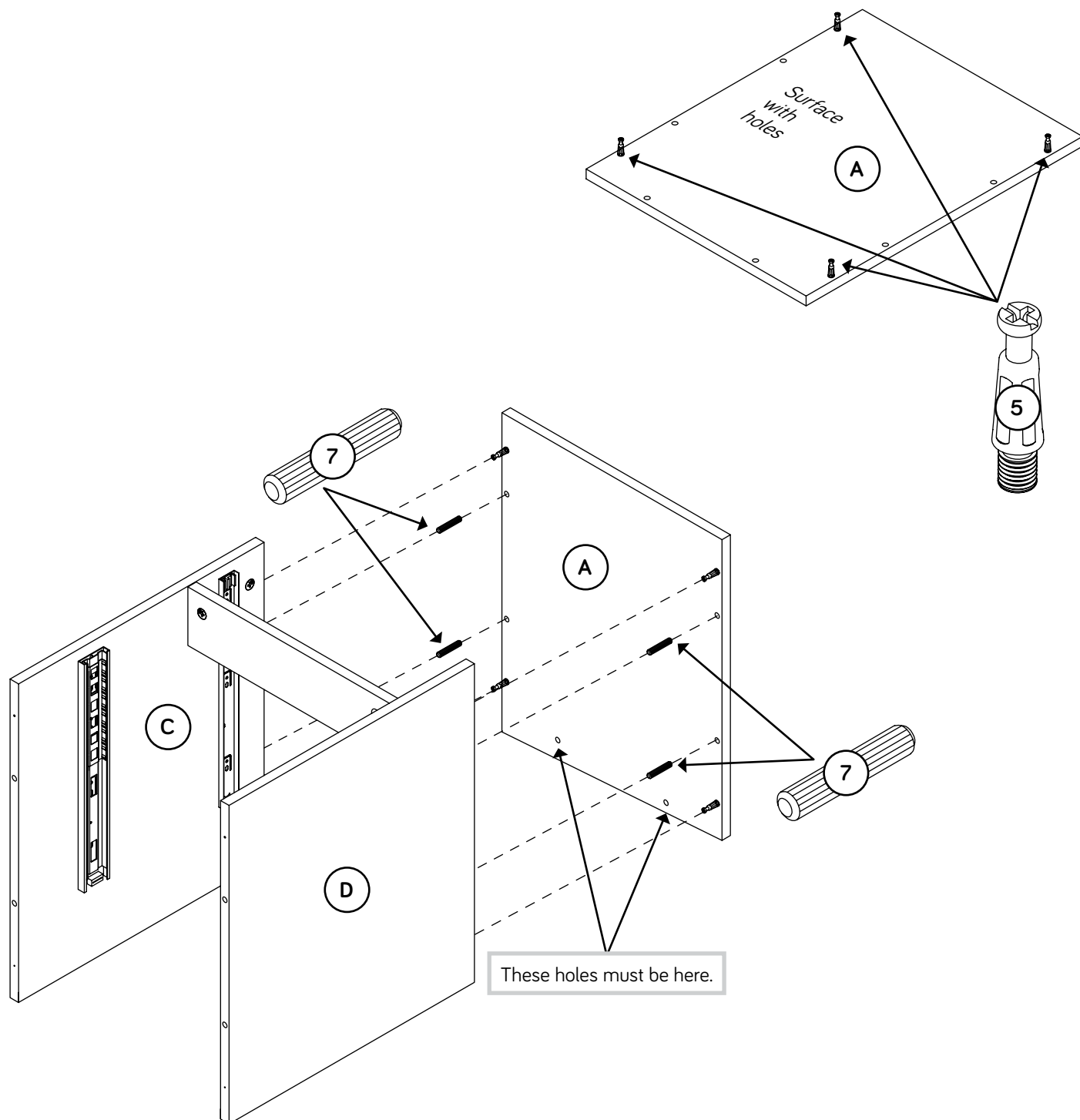
Step 4

- ✚ Push two HIDDEN CAMS (6) into the BRACE (E).
- ✚ Insert two WOOD DOWELS (7) into the ENDS (C and D).
- ✚ Fasten the ENDS (C and D) to the BRACE (E). Tighten two HIDDEN CAMS.
- ✚ NOTE: Be sure the WOOD DOWELS in the ENDS insert into the BRACE.



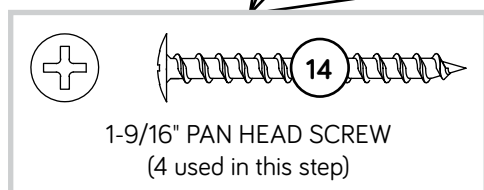
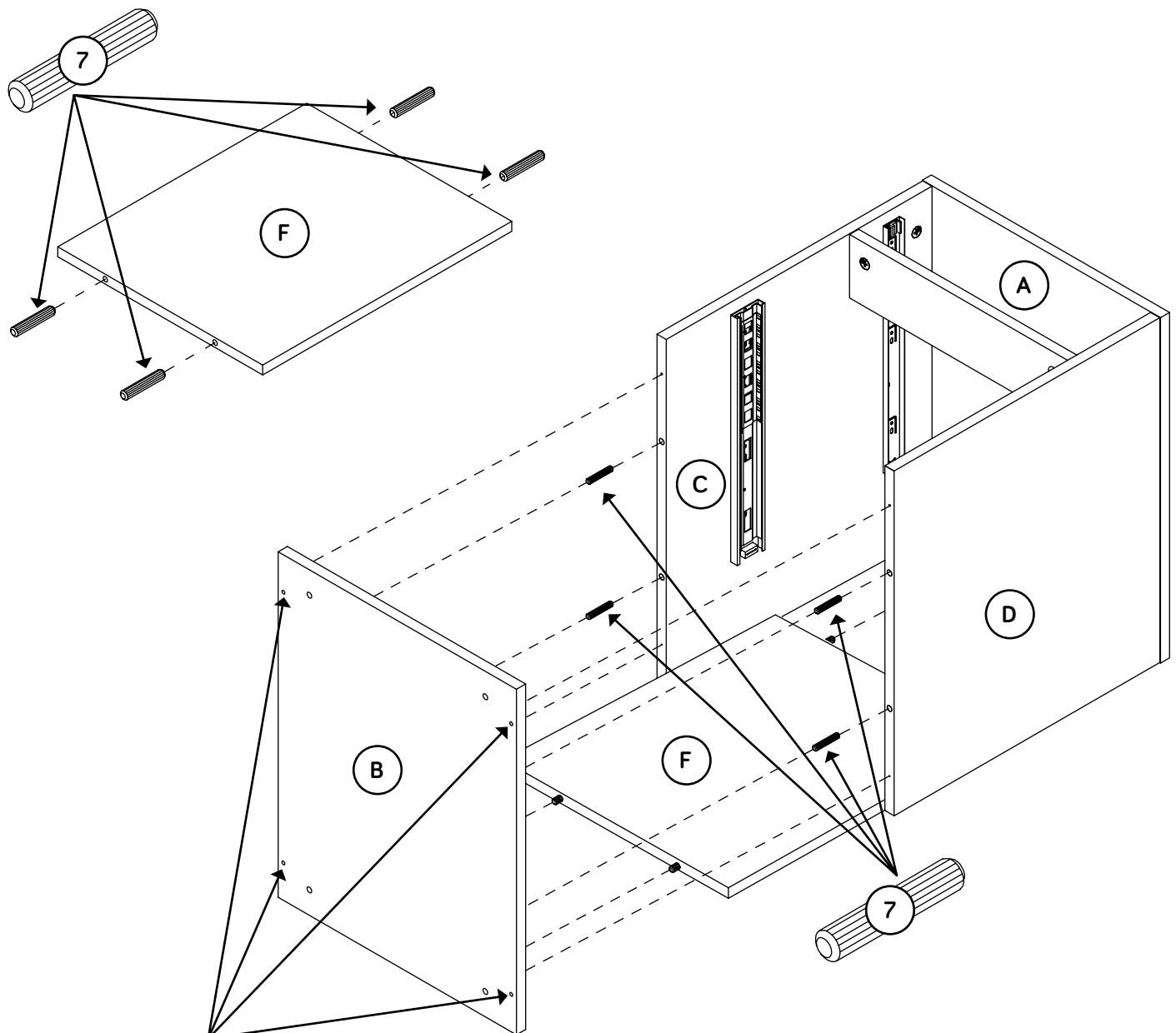
Step 5

- ✚ Turn four CAM SCREWS (5) into the SHELF (A).
- ✚ Insert four WOOD DOWELS (7) into the SHELF (A).
- ✚ Fasten the SHELF (A) to the ENDS (C and D). Tighten four HIDDEN CAMS.
- ✚ **NOTE:** Be sure the WOOD DOWELS in the SHELF insert into the ENDS.



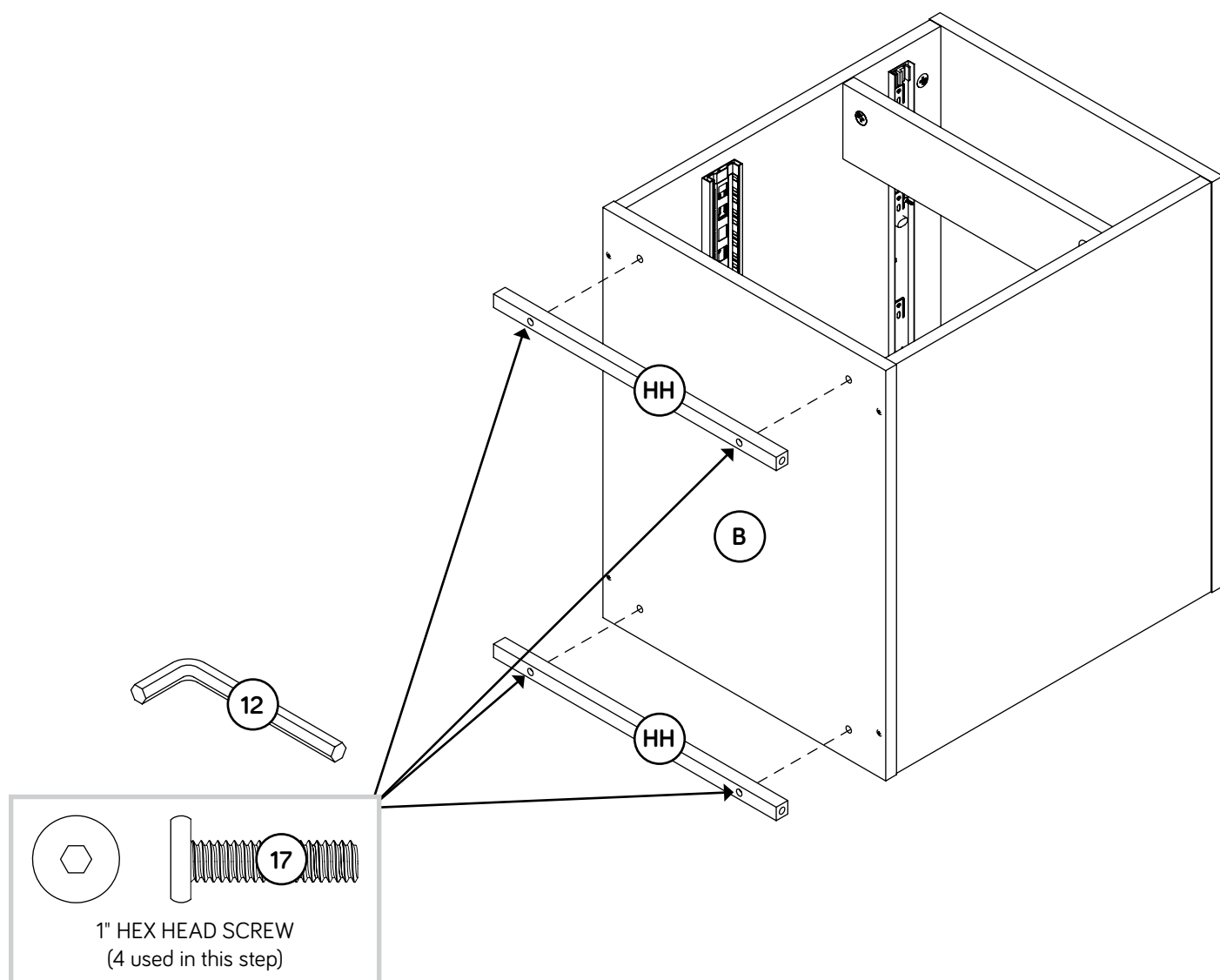
Step 6

- ✚ Insert eight WOOD DOWELS (7) into the ENDS (C and D) and BACK (F).
- ✚ Insert the WOOD DOWELS in one edge of the BACK (F) into the holes in the SHELF (A).
- ✚ Fasten the BOTTOM (B) to the ENDS (C and D). Use four 1-9/16" PAN HEAD SCREWS (14).
- ✚ NOTE: You should start each SCREW a few turns before completely tightening any of them.
- ✚ NOTE: Be sure the WOOD DOWELS in the ENDS and SHELF insert into the BOTTOM.



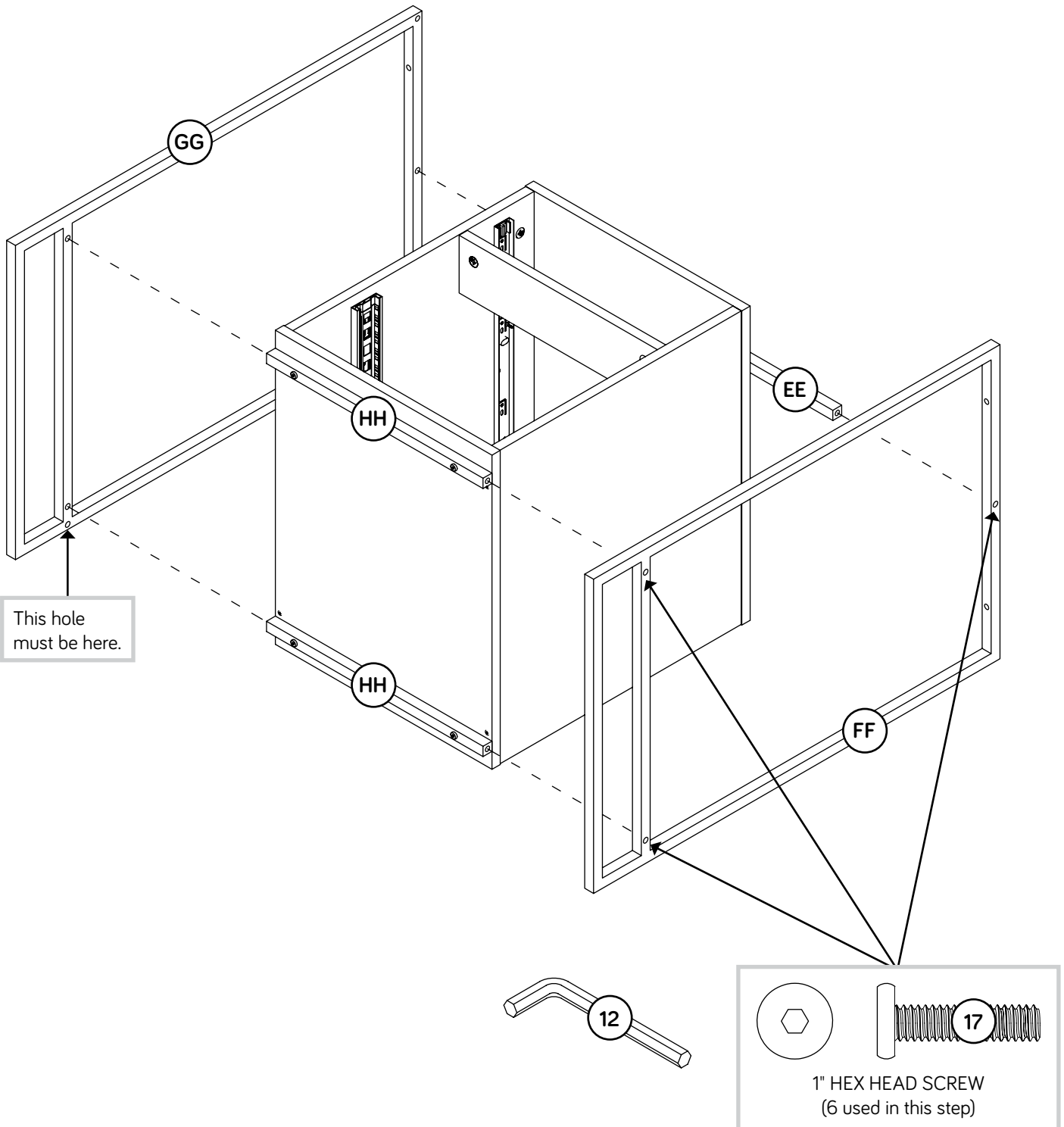
Step 7

- Fasten the LOWER END BRACES (HH) to the BOTTOM (B). Tighten four 1" HEX HEAD SCREWS (17) using the L-WRENCH (12).



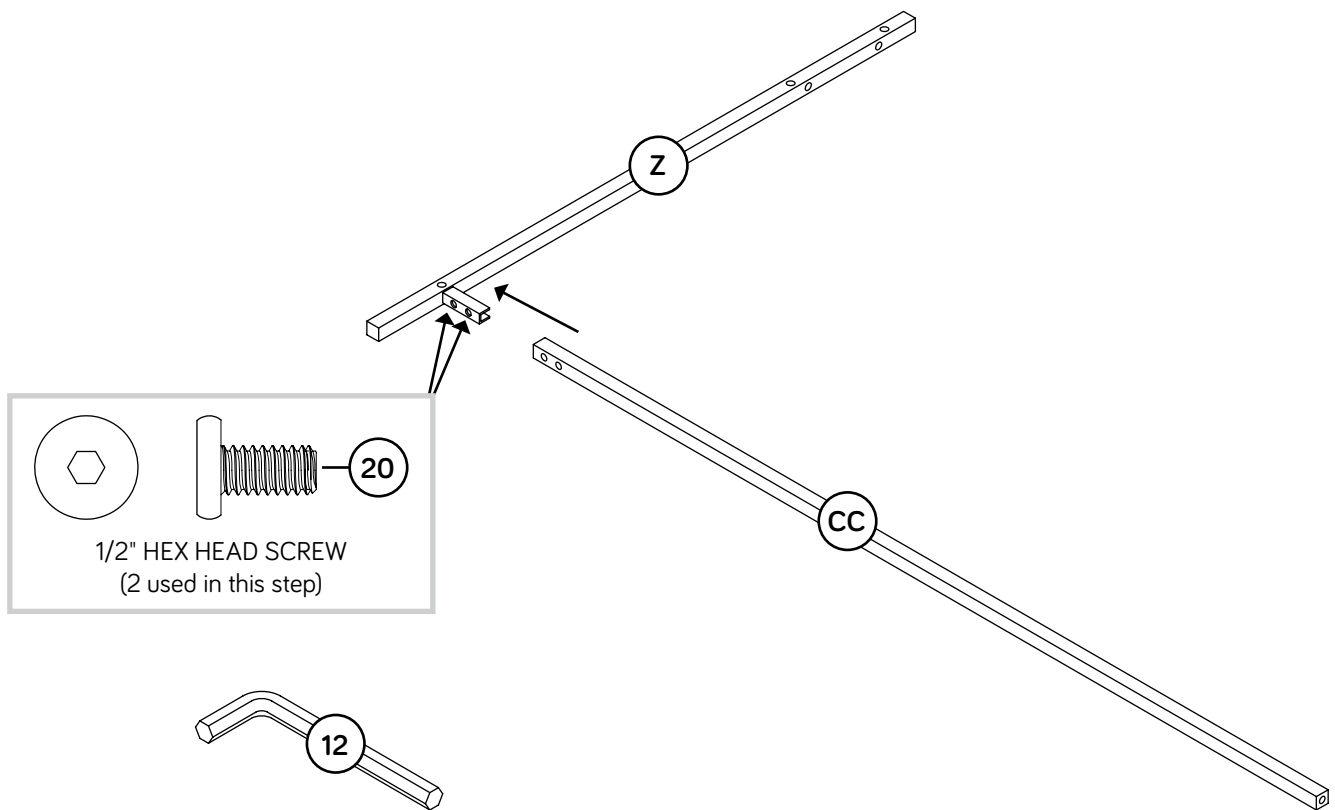
Step 8

- Fasten the FRAMES (FF and GG) to the LOWER END BRACES (HH). Tighten four 1" HEX HEAD SCREWS (17) using the L-WRENCH (12).
- Fasten the UPPER END BRACE (EE) to the FRAMES (FF and GG). Tighten two 1" HEX HEAD SCREWS (17) using the L-WRENCH (12).



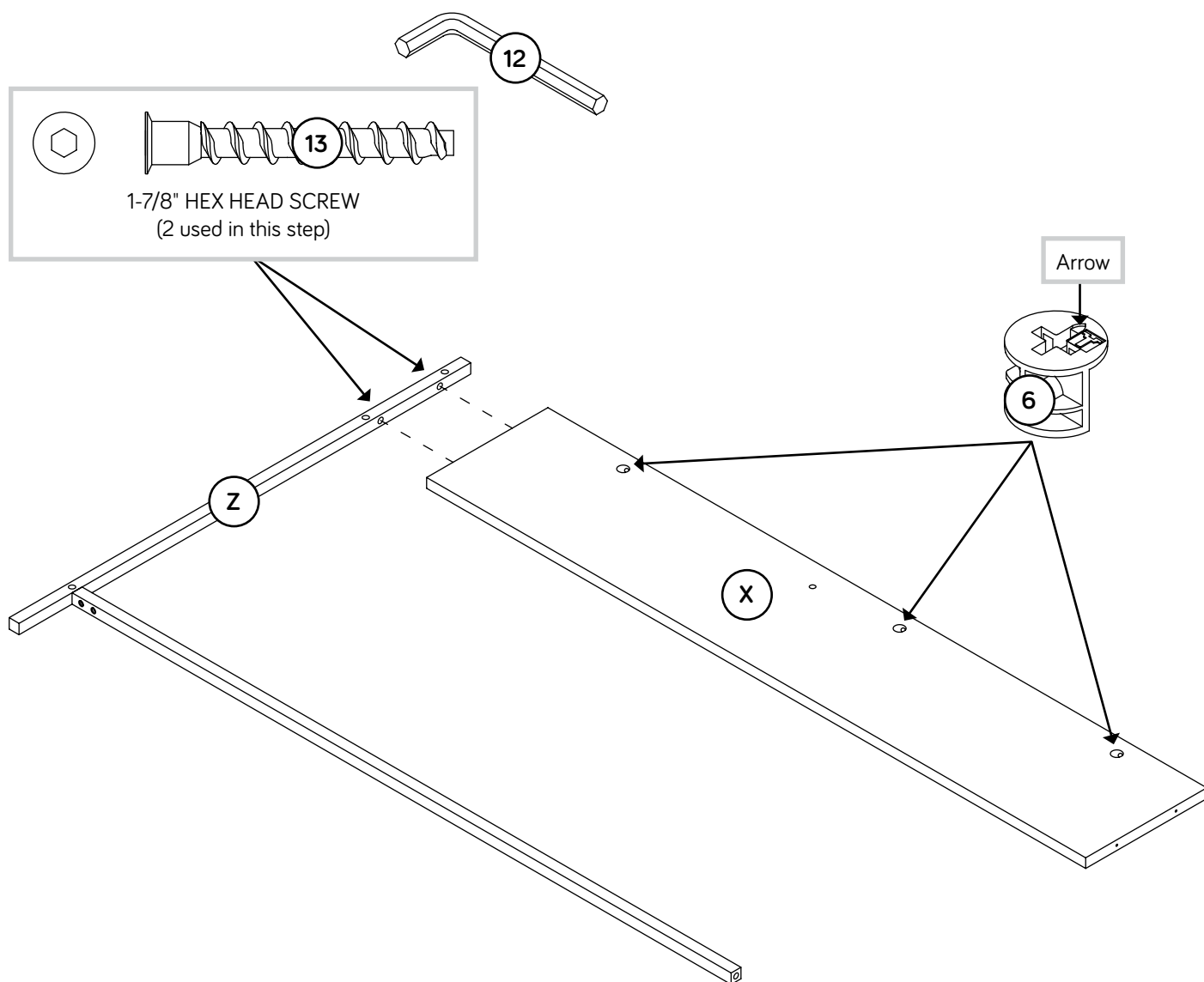
Step 9

- Fasten the LOWER SHORT BRACE (CC) to the LEG (Z). Tighten two 1/2" HEX HEAD SCREWS (20) using the L-WRENCH (12).



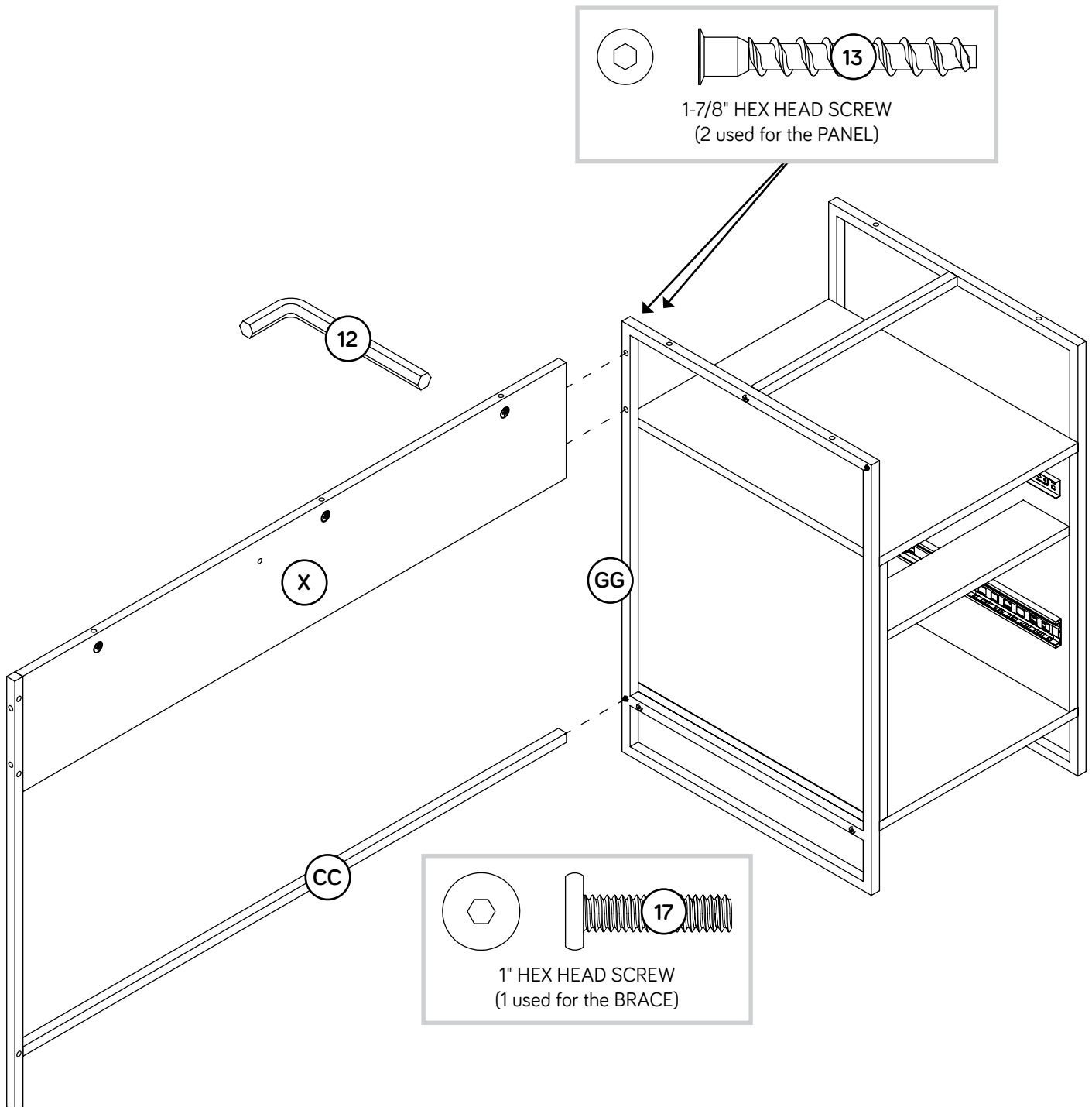
Step 10

- ✦ Push three HIDDEN CAMS (6) into the SHORT PANEL (X).
- ✦ Fasten the SHORT PANEL (X) to the LEG (Z). Tighten two 1-7/8" HEX HEAD SCREWS (13) using the L-WRENCH (12).



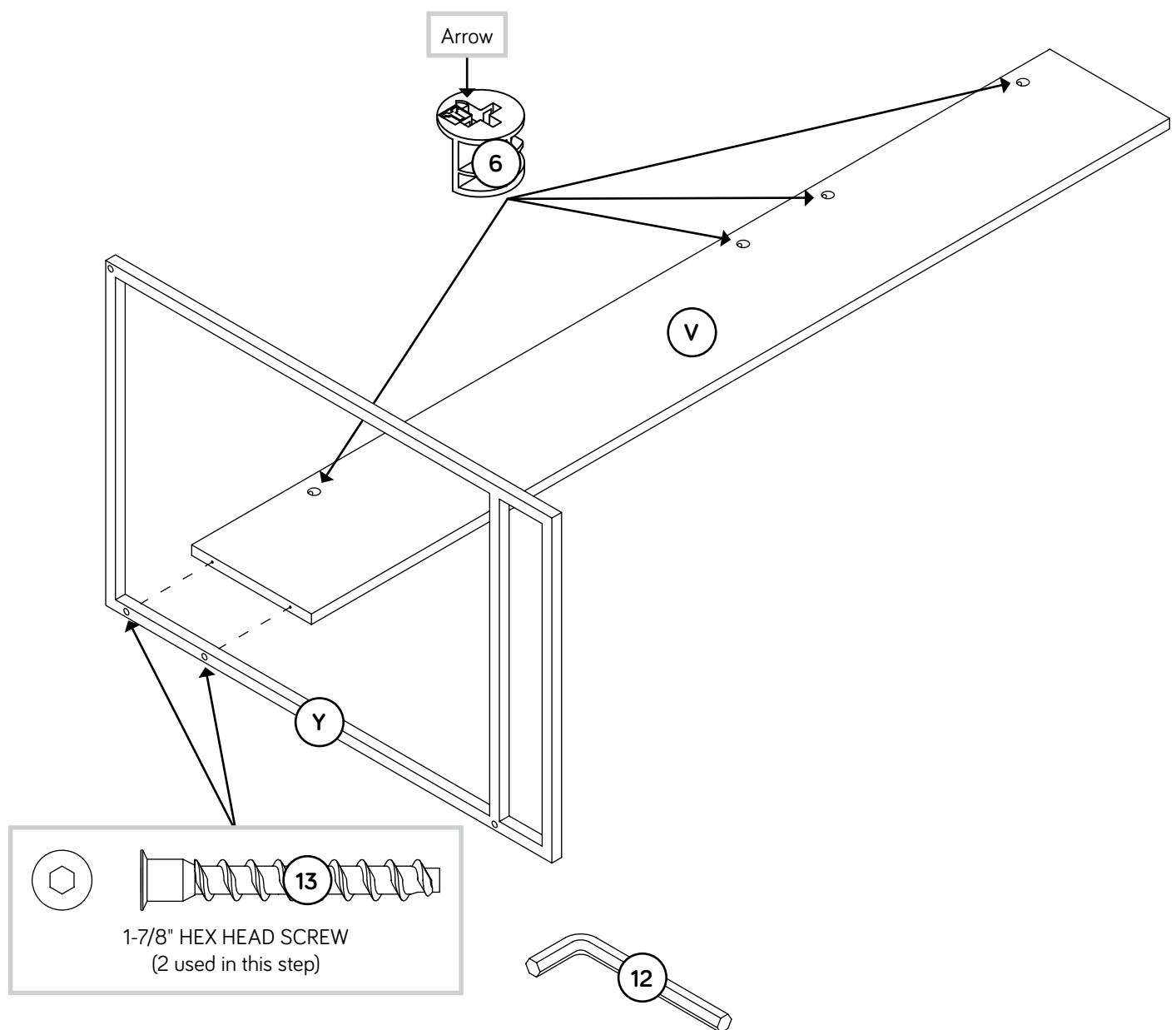
Step 11

- ✚ Carefully stand the FRAME assembly upright.
- ✚ Fasten the SHORT PANEL (X) to the CENTER FRAME (GG). Tighten two 1-7/8" HEX HEAD SCREWS (13) using the L-WRENCH (12).
- ✚ Fasten the LOWER SHORT BRACE (CC) to the CENTER FRAME (GG). Tighten one 1" HEX HEAD SCREW (17) using the L-WRENCH (12).



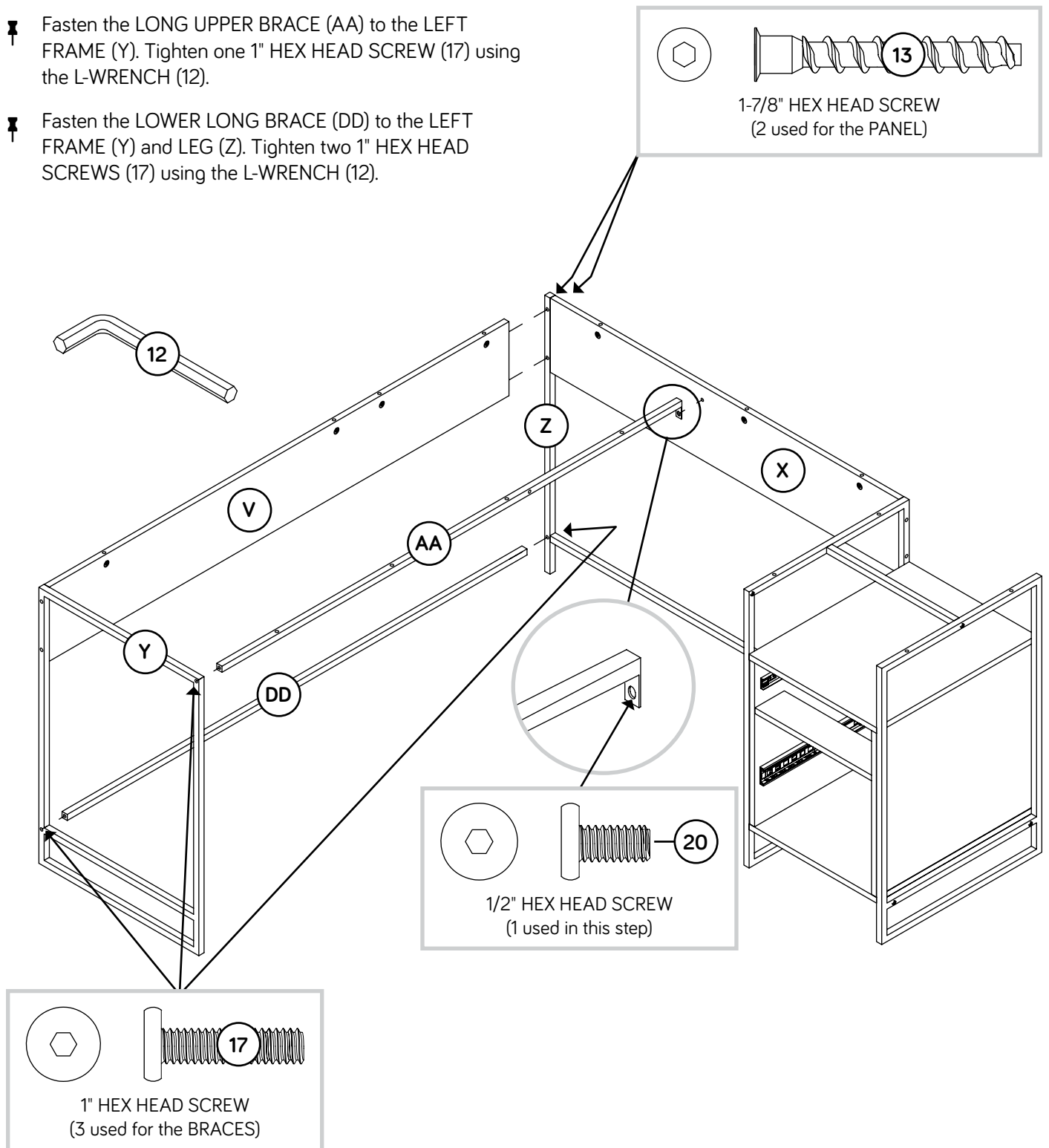
Step 12

- ✚ Push four HIDDEN CAMS (6) into the LONG PANEL (V).
- ✚ Fasten the LEFT FRAME (Y) to the LONG PANEL (V). Tighten two 1-7/8" HEX HEAD SCREWS (13) using the L-WRENCH (12).



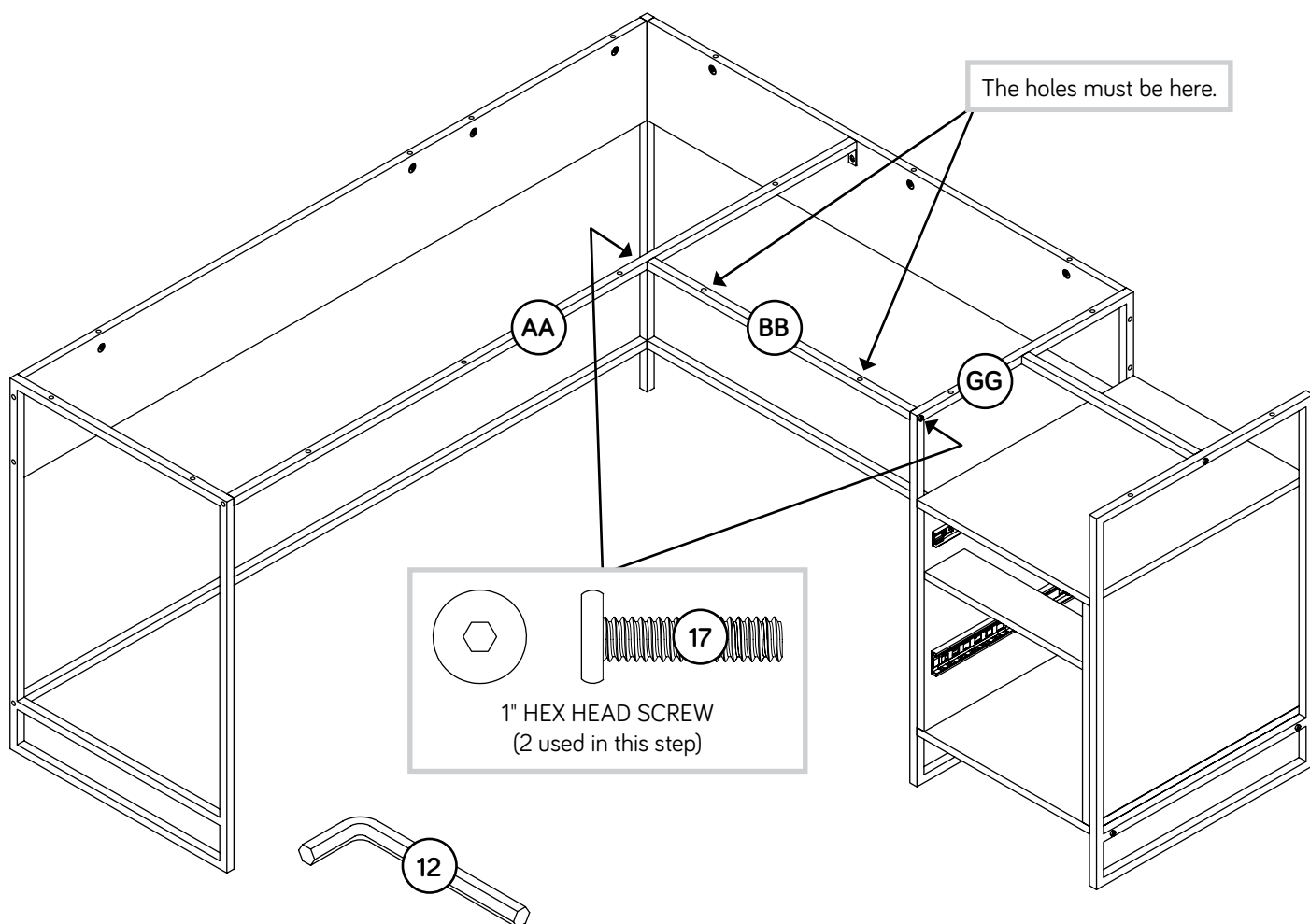
Step 13

- ✚ Fasten the LONG PANEL (V) to the LEG (Z). Tighten two 1-7/8" HEX HEAD SCREWS (13) using the L-WRENCH (12).
- ✚ Fasten the LONG UPPER BRACE (AA) to the SHORT PANEL (X). Tighten one 1/2" HEX HEAD SCREW (20) using the L-WRENCH (12).
- ✚ Fasten the LONG UPPER BRACE (AA) to the LEFT FRAME (Y). Tighten one 1" HEX HEAD SCREW (17) using the L-WRENCH (12).
- ✚ Fasten the LOWER LONG BRACE (DD) to the LEFT FRAME (Y) and LEG (Z). Tighten two 1" HEX HEAD SCREWS (17) using the L-WRENCH (12).



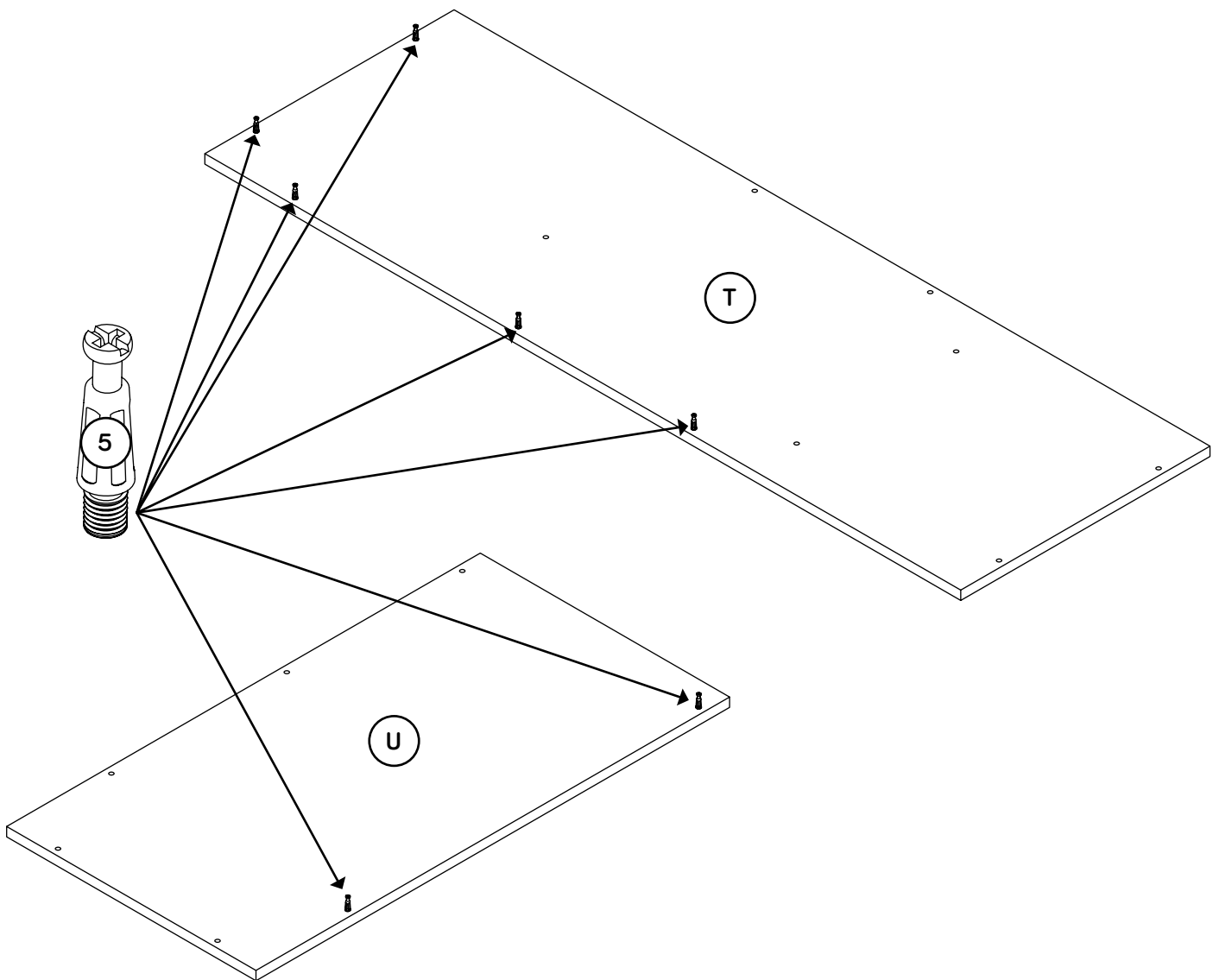
Step 14

- Fasten the SHORT UPPER BRACE (BB) to the LONG UPPER BRACE (AA) and CENTER FRAME (GG). Tighten two 1" HEX HEAD SCREWS (17) using the L-WRENCH (12).



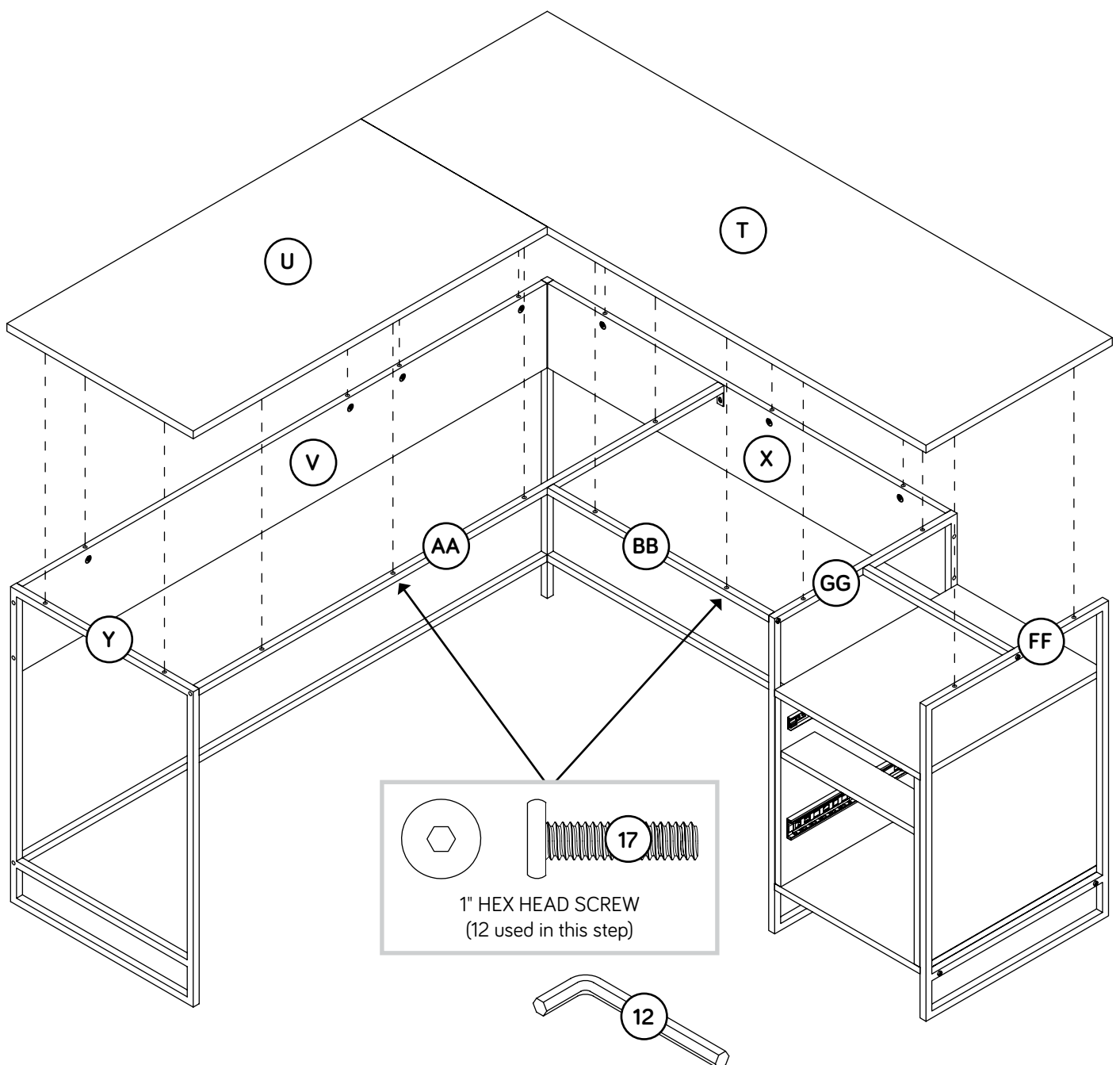
Step 15

- Turn seven CAM SCREWS (5) into the exact holes shown in the TOPS (T and U).



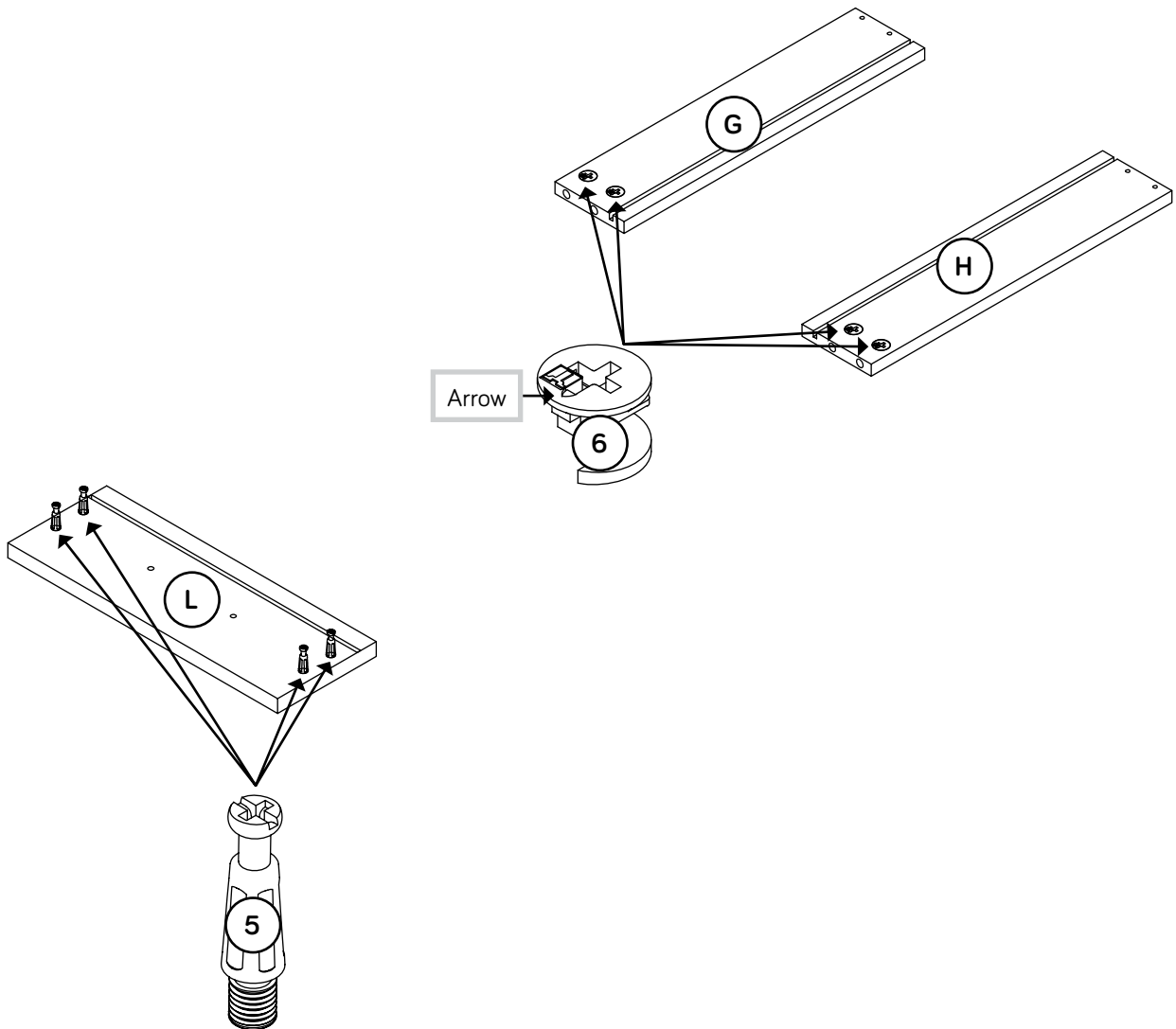
Step 16

- ✚ Fasten the TOPS (T and U) to the PANELS (V and X). Tighten seven HIDDEN CAMS.
- ✚ Fasten the SMALL TOP (U) to the LEFT FRAME (Y) and LONG UPPER BRACE (AA). Tighten five 1" HEX HEAD SCREWS (17) using the L-WRENCH (12).
- ✚ NOTE: You should start each SCREW a few turns before completely tightening any of them.
- ✚ Fasten the LARGE TOP (T) to the UPPER BRACES (AA and BB) and FRAMES (FF and GG). Tighten seven 1" HEX HEAD SCREWS (17) using the L-WRENCH (12).
- ✚ NOTE: You should start each SCREW a few turns before completely tightening any of them.



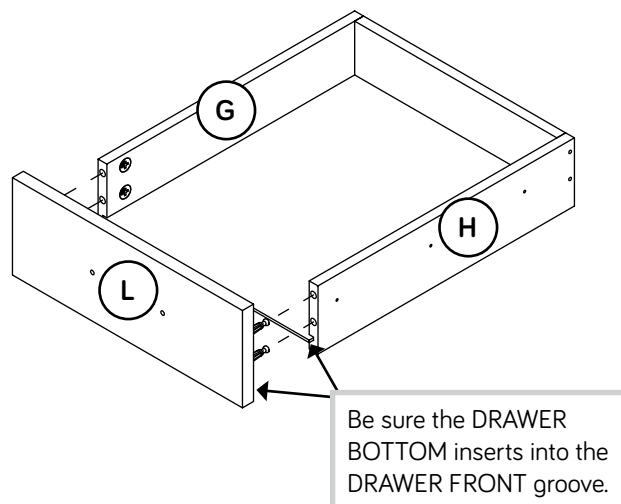
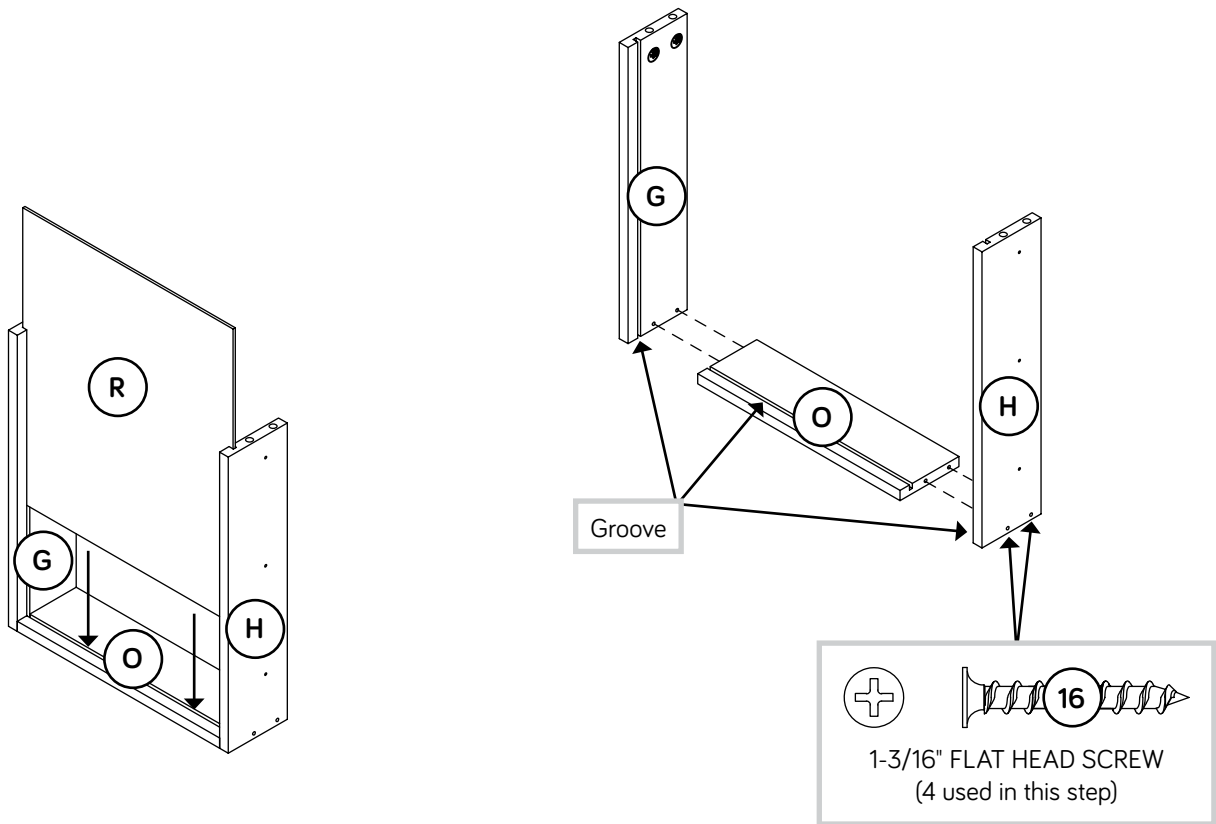
Step 17

- ✚ Push four HIDDEN CAMS (6) into the SMALL DRAWER SIDES (G and H).
- ✚ Turn four CAM SCREWS (5) into the SMALL DRAWER FRONT (L).



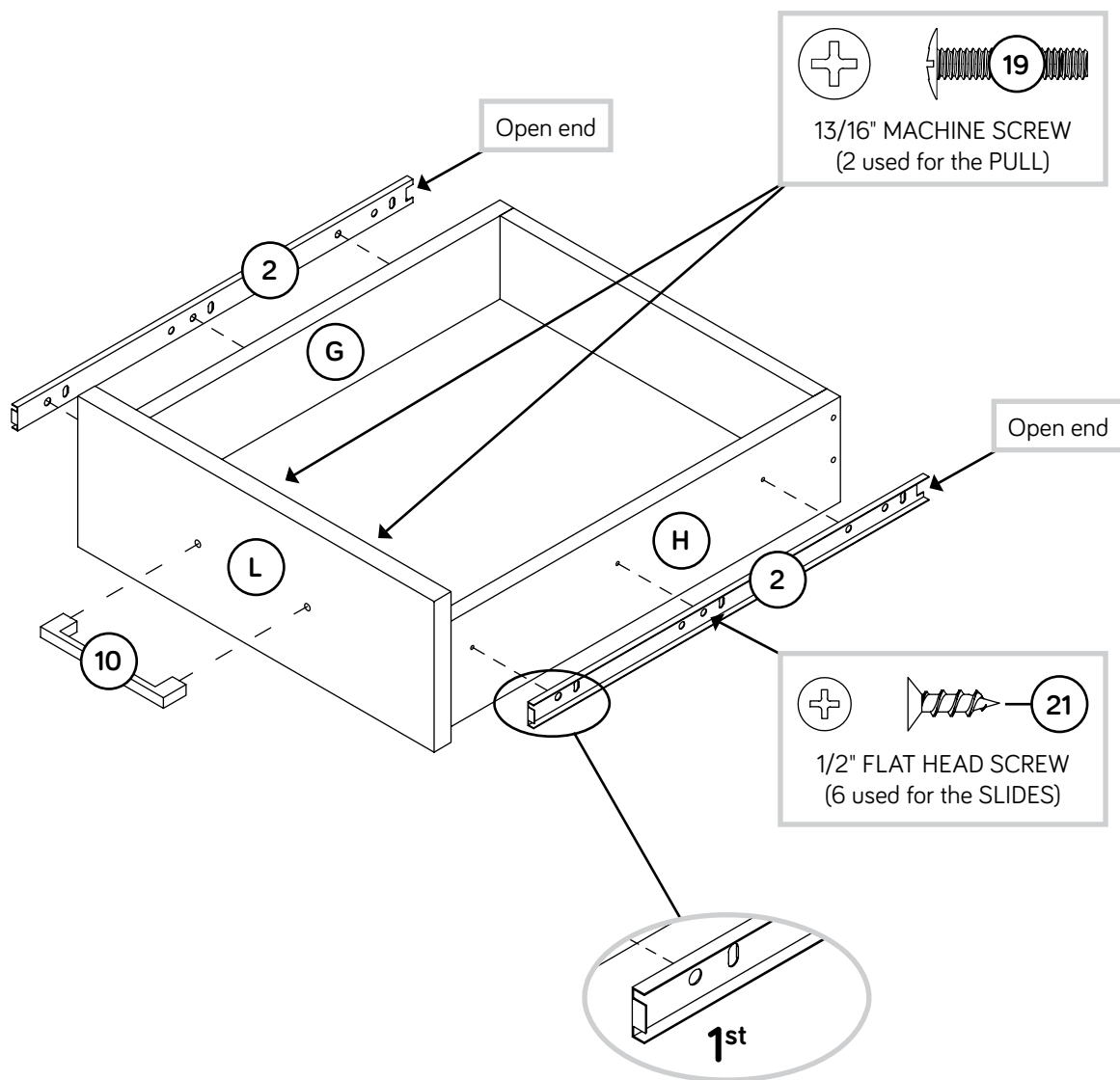
Step 18

- ✚ Fasten the SMALL DRAWER SIDES (G and H) to the SMALL DRAWER BACK (O). Use four 1-3/16" FLAT HEAD SCREWS (16).
- ✚ Slide the SMALL DRAWER BOTTOM (R) into the grooves in the SMALL DRAWER SIDES (G and H) and SMALL DRAWER BACK (O).
- ✚ Fasten the SMALL DRAWER FRONT (L) to the SMALL DRAWER SIDES (G and H). Tighten four HIDDEN CAMS.
- ✚ NOTE: Be sure the DRAWER BOTTOM inserts into the groove in the DRAWER FRONT.



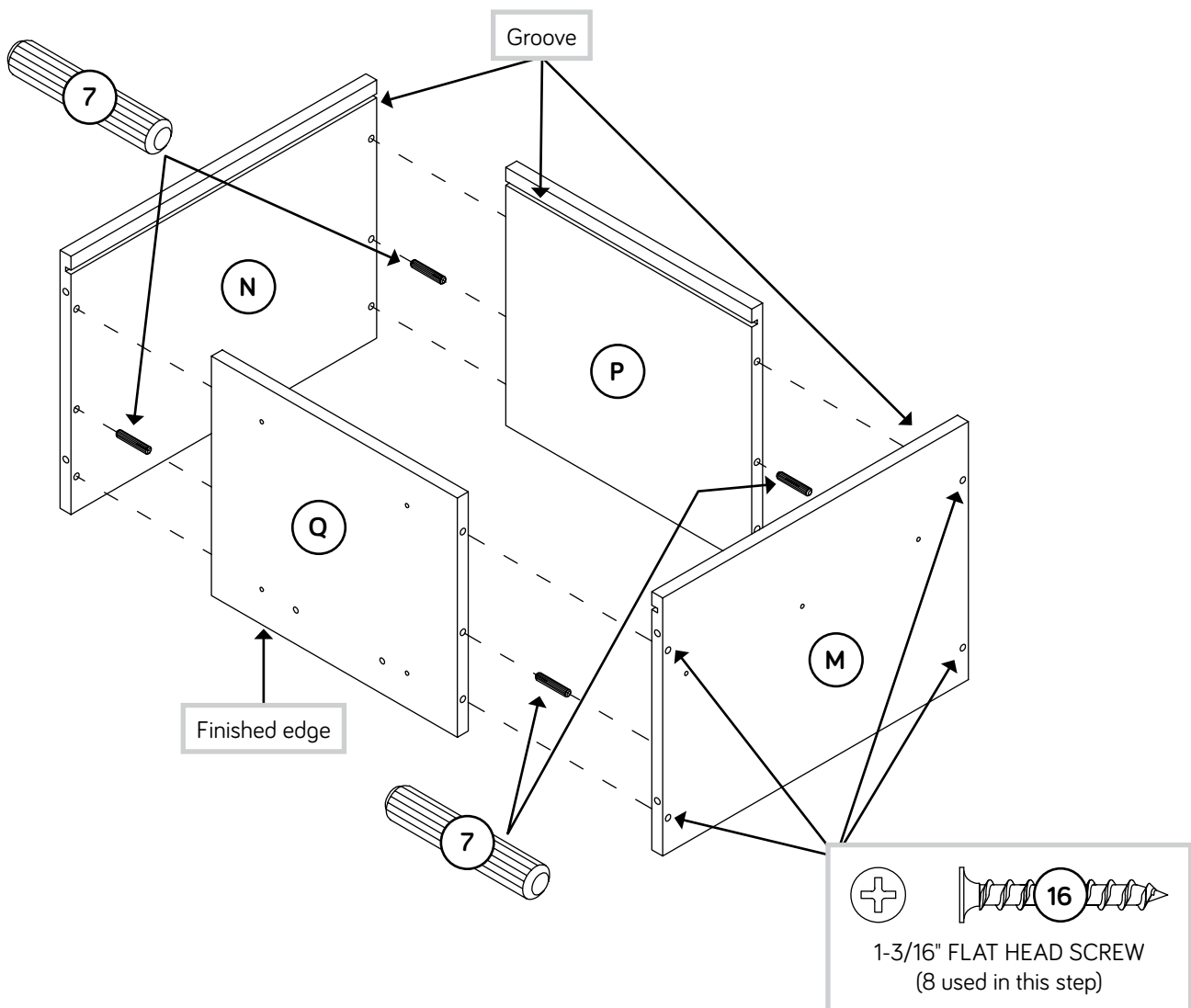
Step 19

- Fasten the NARROW EXTENSION SLIDES (2) to the SMALL DRAWER SIDES (G and H). Use six 1/2" FLAT HEAD SCREWS (21).
- NOTE:** For each EXTENSION SLIDE, turn a SCREW into the 1st hole shown in the enlarged diagram. Then, turn a SCREW into each of the other two holes that line up with the holes in the DRAWER SIDE.
- Fasten one PULL (10) to the SMALL DRAWER FRONT (L). Use two 13/16" MACHINE SCREWS (19).



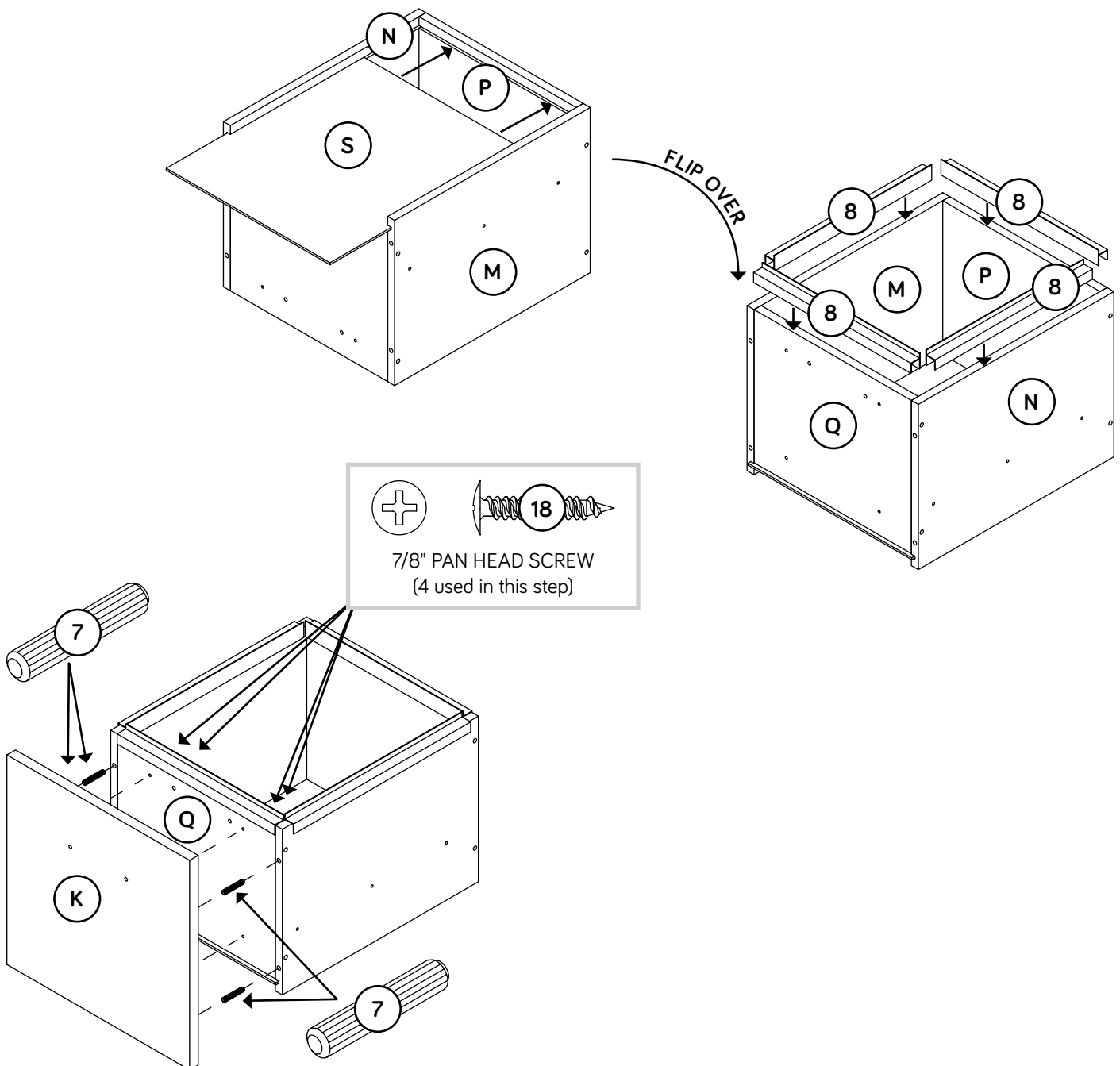
Step 20

- ✚ Insert four WOOD DOWELS (7) into the LARGE DRAWER SIDES (M and N).
- ✚ Fasten the LARGE DRAWER SIDES (M and N) to the LARGE DRAWER BACK (P) and LARGE DRAWER BOX FRONT (Q). Use eight 1-3/16" FLAT HEAD SCREWS (16).
- ✚ NOTE: You should start each SCREW a few turns before completely tightening any of them.
- ✚ NOTE: Be sure the WOOD DOWELS in the DRAWER SIDES insert into the BACK and DRAWER BOX FRONT.



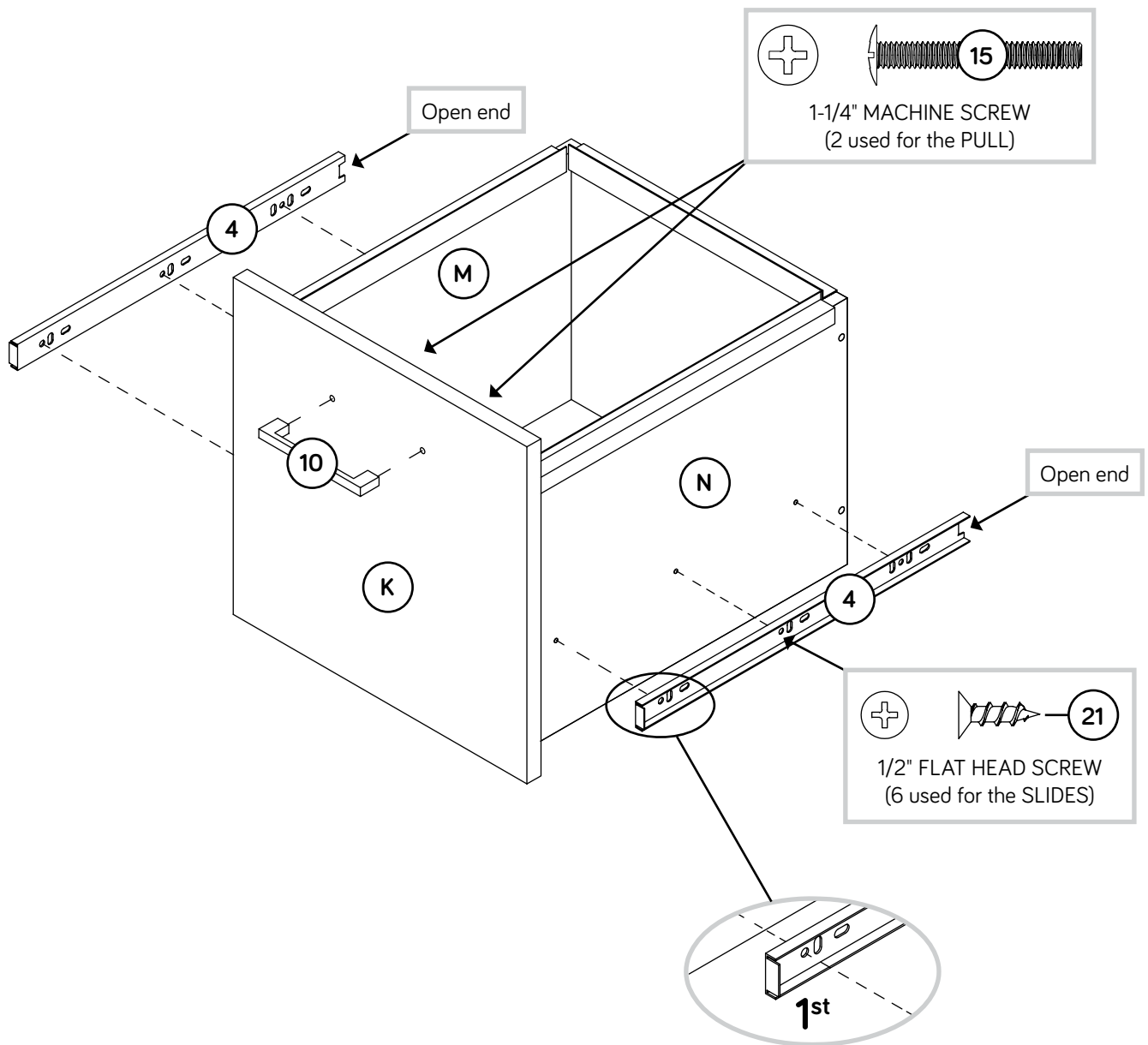
Step 21

- ✚ Slide the LARGE DRAWER BOTTOM (S) into the grooves in the LARGE DRAWER SIDES (M and N) and LARGE DRAWER BACK (P).
- ✚ Carefully turn the LARGE DRAWER over.
- ✚ Press the FILE GLIDES (8) over the LARGE DRAWER SIDES (M and N), LARGE DRAWER BACK (P), and LARGE DRAWER BOX FRONT (Q).
- ✚ Insert four WOOD DOWELS (7) into the edges of the LARGE DRAWER SIDES (M and N).
- ✚ Fasten the LARGE DRAWER FRONT (K) to the LARGE DRAWER BOX FRONT (Q). Use four 7/8" PAN HEAD SCREWS (18).
- ✚ NOTE: Be sure the WOOD DOWELS in the DRAWER SIDES insert into the DRAWER FRONT.



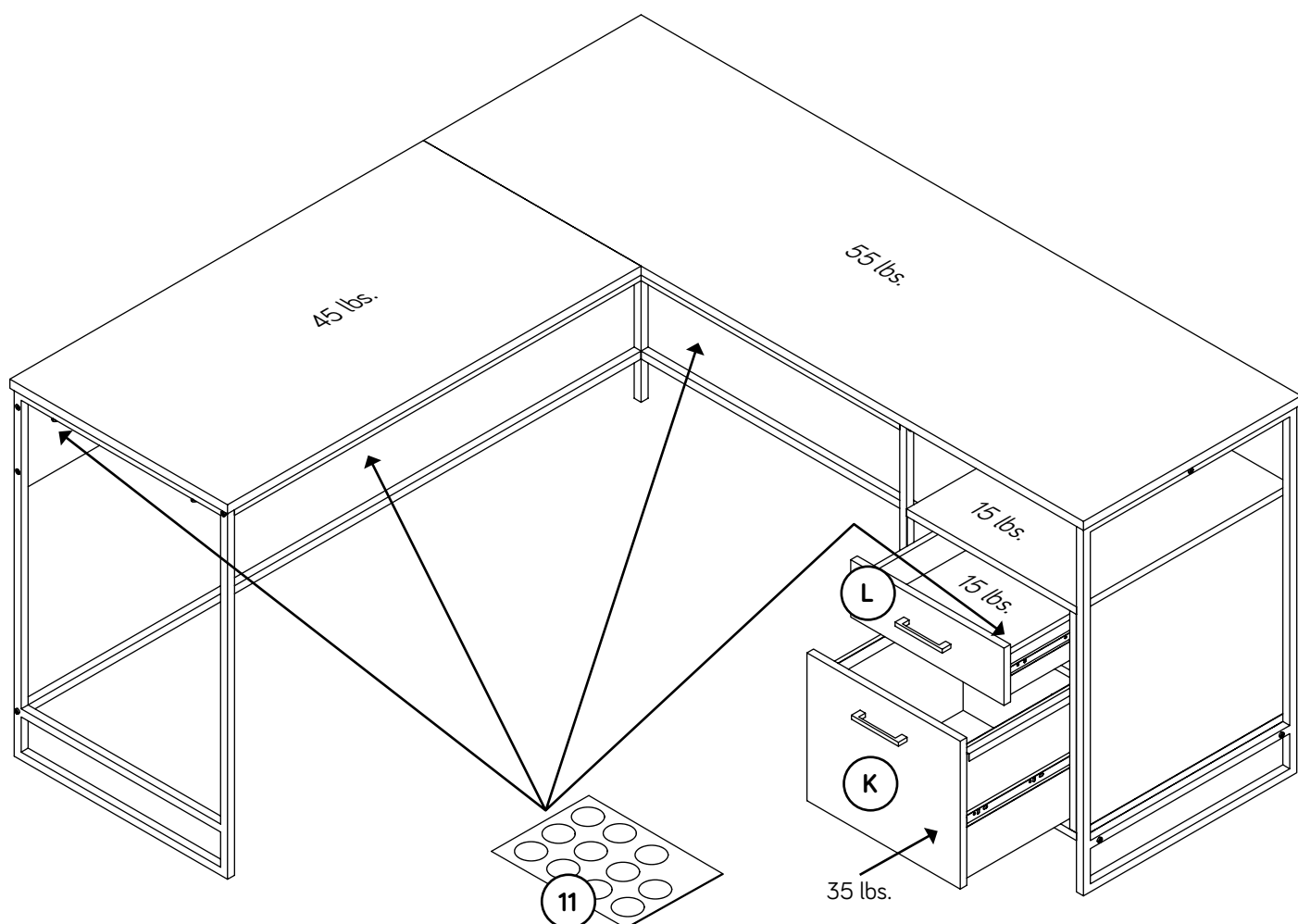
Step 22

- Fasten the WIDE EXTENSION SLIDES (4) to the LARGE DRAWER SIDES (M and N). Use six 1/2" FLAT HEAD SCREWS (21).
- NOTE:** For each EXTENSION SLIDE, turn a SCREW into the 1st hole shown in the enlarged diagram. Then, turn a SCREW into each of the other two holes that line up with the holes in the DRAWER SIDE.
- Fasten one PULL (10) to the LARGE DRAWER FRONT (K). Use two 1-1/4" MACHINE SCREWS (15).



Step 23

- ✦ To insert a drawer into your unit, line up the EXTENSION SLIDES on the drawer with the EXTENSION RAILS on the unit and push the drawer into the unit until the drawer is fully inserted. The drawer will push in hard until it is all the way in, then it will slide in and out easier.
- ✦ Peel APPLIQUES from the APPLIQUE CARD (11) and stick them onto each visible HIDDEN CAM.
- ✦ NOTE: Please read the back pages of the instruction booklet for important safety information.
- ✦ This completes assembly. Clean with a damp cloth. Wipe dry.



⚠ WARNING

Please use your furniture correctly and safely. Improper use can cause safety hazards, or damage to your furniture or household items. **Carefully read the following chart.**

Look out for:	What can happen:	How to avoid the problem:
<ul style="list-style-type: none"> Overloaded shelves or drawers. Improper loading can cause the product to be top-heavy. 	<ul style="list-style-type: none"> Risk of injury. Top-heavy furniture can tip over. Overloaded shelves and drawers can break. 	<ul style="list-style-type: none"> Never exceed the weight limits shown in the instructions. Work from bottom to top when loading shelves and drawers. Place the heavier items on the lower shelves or in lower drawers.
<ul style="list-style-type: none"> Improperly moving furniture that is not designed and equipped with casters. 	<ul style="list-style-type: none"> Furniture can tip over or break if improperly moved. Physical injury. Furniture can be very heavy. Breakage of tops - particularly with double pedestal furniture (drawers at both ends). 	<ul style="list-style-type: none"> Unload shelves and drawers from top to bottom before moving the unit. Do not push furniture, especially on a carpeted floor. Have a friend help you lift the item and set it in place. Provide support to the center section of the top when lifting the furniture.
<ul style="list-style-type: none"> Placing TVs on furniture items that are not designed to support a television is hazardous. 	<ul style="list-style-type: none"> Risk of injury or death. TVs can be very heavy. Plus the weight and location of the picture tube tends to make TVs unbalanced and prone to tipping forward. 	<ul style="list-style-type: none"> This product is not designed to support a television.

⚠ AVERTISSEMENT

Prière d'utiliser le mobilier à bon escient et avec prudence. Une mauvaise utilisation peut être à l'origine de risques d'accident ou peut endommager le mobilier et les articles ménagers. **Lire attentivement le tableau suivant.**

À surveiller :	Danger éventuel :	Solution :
<ul style="list-style-type: none"> Tablettes ou tiroirs surchargés. En cas de chargement inadéquat l'élément peut être lourd du haut. 	<ul style="list-style-type: none"> Risque de blessure. Du mobilier mal équilibré risque de se renverser. Tablettes et tiroirs surchargés risquent de casser. 	<ul style="list-style-type: none"> Ne jamais excéder les limites de poids indiquées dans les instructions. Pour charger les tablettes et tiroirs, commencer par remplir celui du bas pour finir par celui du haut. Placer les articles plus lourds sur les tablettes inférieures ou dans les tiroirs inférieurs.
<ul style="list-style-type: none"> Déplacement inadéquat d'un mobilier qui n'est pas conçu pour avoir des roulettes et n'en est pas équipé. 	<ul style="list-style-type: none"> Le mobilier risque de se renverser ou de casser en cas de déplacement inadéquat. Blessure physique. Le mobilier peut être très lourd. Défaillance des dessus surtout avec les éléments de double piédestaux (tiroirs en chaque extrémité). 	<ul style="list-style-type: none"> Décharger les tablettes et tiroirs en commençant par celui du haut avant de déplacer l'élément. Ne pas pousser le meuble, surtout sur la moquette. Se faire aider par une autre personne pour soulever l'élément et le mettre en place. Supporter la section centrale du dessus lorsque l'on soulève le meuble.
<ul style="list-style-type: none"> Il est dangereux de placer des téléviseurs sur des meubles que ne sont pas prévus à cet effet. 	<ul style="list-style-type: none"> Risque de blessures graves, voire mortelles. Les téléviseurs peuvent être particulièrement lourds. De plus, le poids et l'emplacement du tube image ont tendance à rendre les téléviseurs instables et enclins à tomber vers l'avant. 	<ul style="list-style-type: none"> Ce produit n'est pas destiné à supporter un téléviseur.