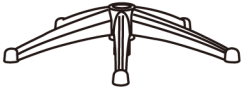







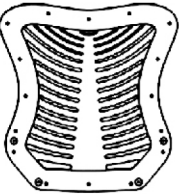

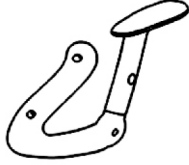

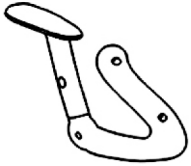

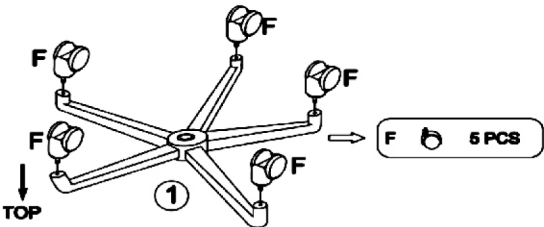


SPINE

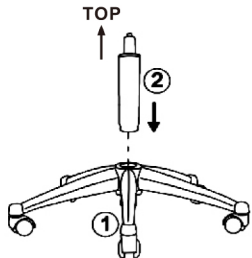
PARTS	
① X 1 	A.M6*20 X 4 
② X 1 	B.M6*20 X 4 
③ X 1 	C.M6*35 X 4 
④ X 1 	D.X 4 
⑤ X 1 	E.X 1 
⑥ X 1 	F.X 5 
⑦ X 1 	G.X 4 

Assembly instructions

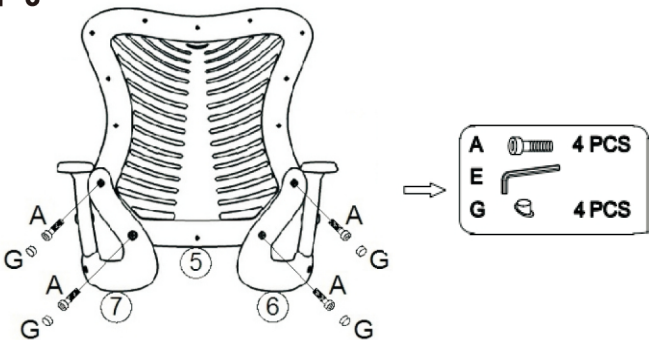
STEP 1



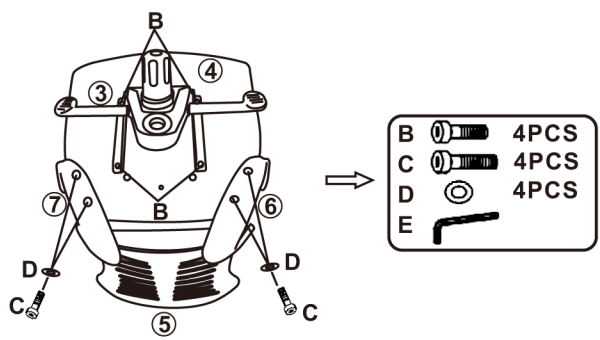
STEP 2



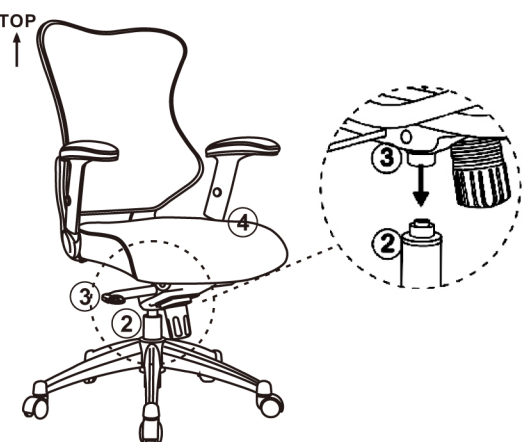
STEP 3



STEP 4



STEP 5



NOTICE:
EVERY 6 MONTHS, PLEASE MAKE SURE ALL BOLTS, SCREWS AND KNOBS ARE FULLY TIGHTENED TO ENSURE STABILITY.