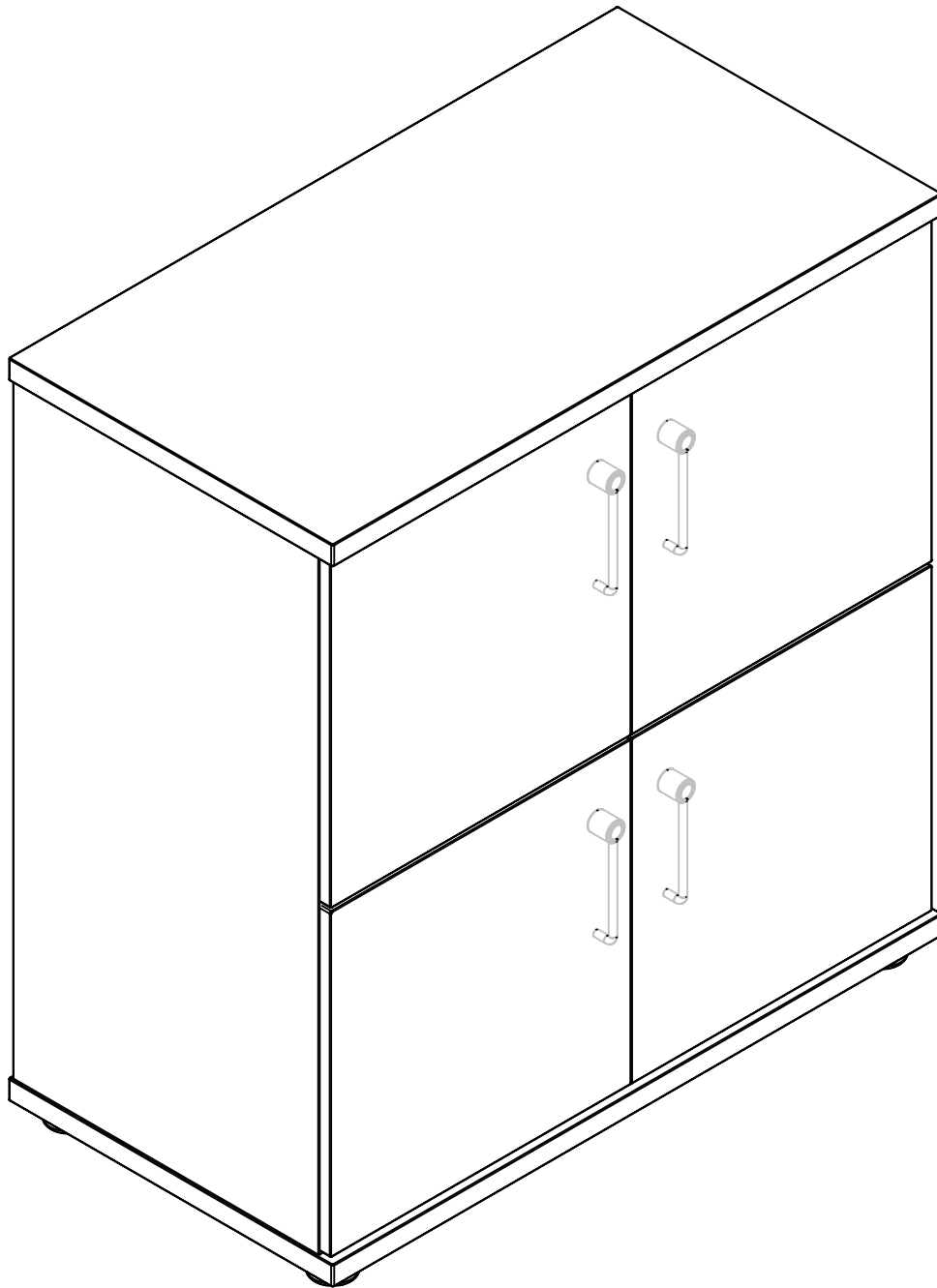
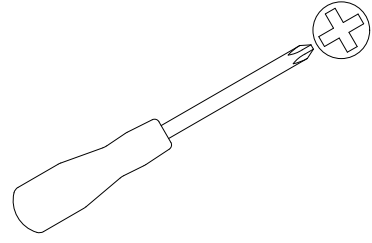
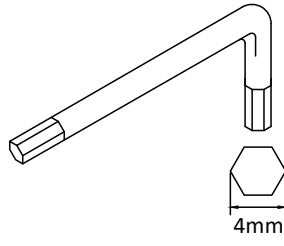
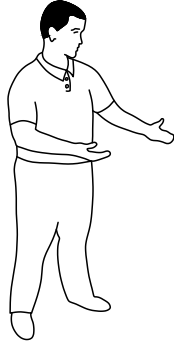


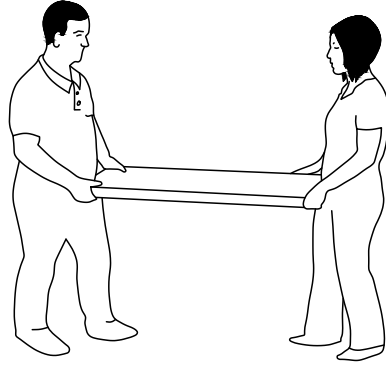
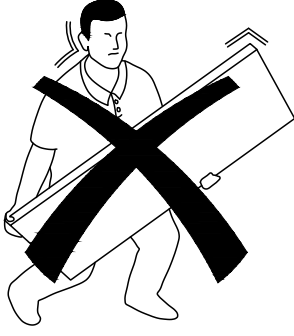
LCK4D



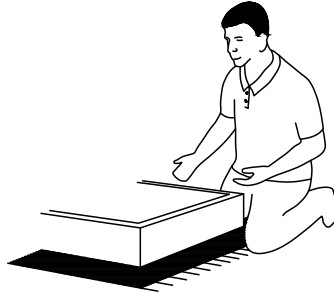
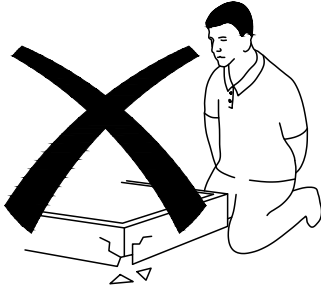
**TOOLS REQUIRED
FOR ASSEMBLY**



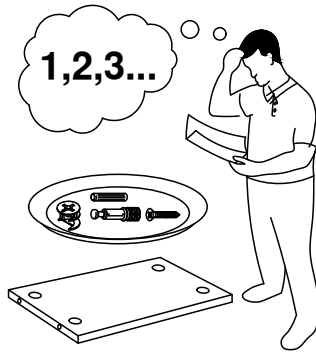
**DONT STRUGGLE
2 MAN LIFT**



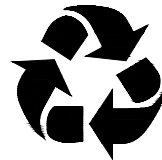
**ALWAYS HANDLE
ITEMS WITH CARE**



**IF UNSURE CALL
FOR ASSISTANCE**

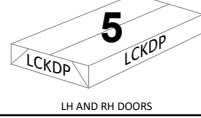
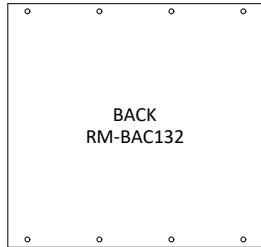
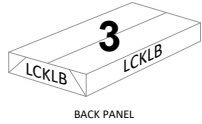
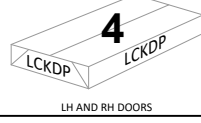
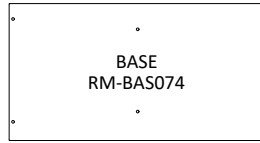
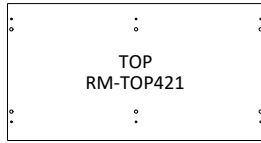
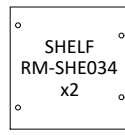
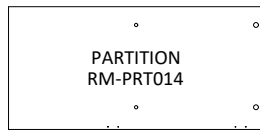
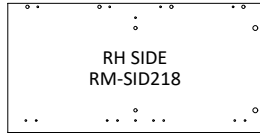
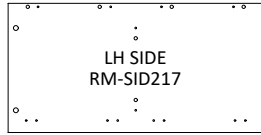
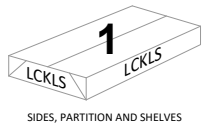


**KEEP FITTINGS AWAY
FROM CHILDREN**



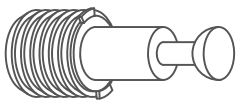


Please check that you have all the panels!



Please check that you have all the hardware!

QUANTITY - 22



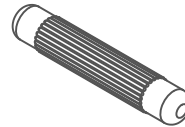
24mm QUICKFIX PIN
RM-BLT006

QUANTITY - 22



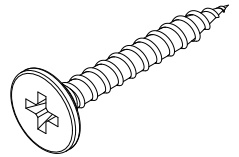
15mm QUICKFIX CAM
RM-CAM03

QUANTITY - 18



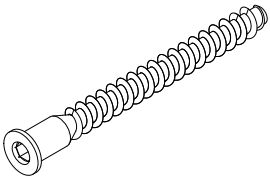
30 x 5mm WOOD DOWEL
RM-WOW01

QUANTITY - 24



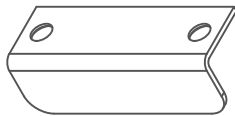
4 x 20mm WOOD SCREW
RM-SCR37

QUANTITY - 6



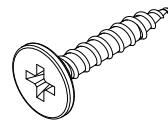
70mm CONFIRMAT SCREW
RM-CFM02

QUANTITY - 4



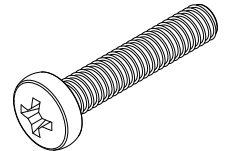
40mm STRIKE PLATE

QUANTITY - 8



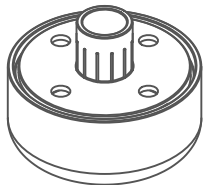
3.5 x 12mm WOOD SCREW

QUANTITY - 4



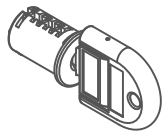
M4 x 22mm HANDLE SCREW
RM-SCR25

QUANTITY - 4



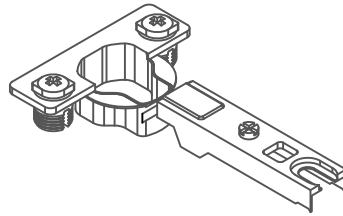
50mm ADJUSTABLE FOOT

QUANTITY - 4



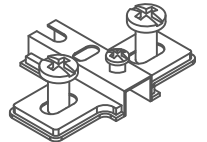
DOOR LOCK CYLINDER

QUANTITY - 8



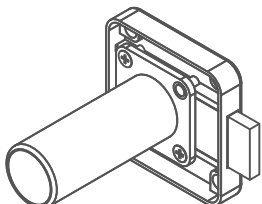
110' DOOR HINGE
RM-HGE01

QUANTITY - 8



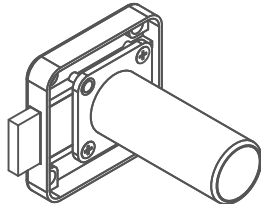
DOOR HINGE PLATE
RM-HGP01

QUANTITY - 2



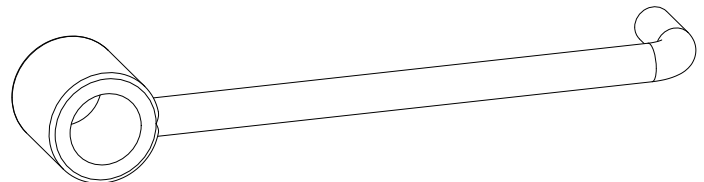
LH DOOR CYLINDER LOCK

QUANTITY - 2



RH DOOR CYLINDER LOCK

QUANTITY - 4

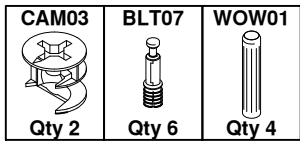
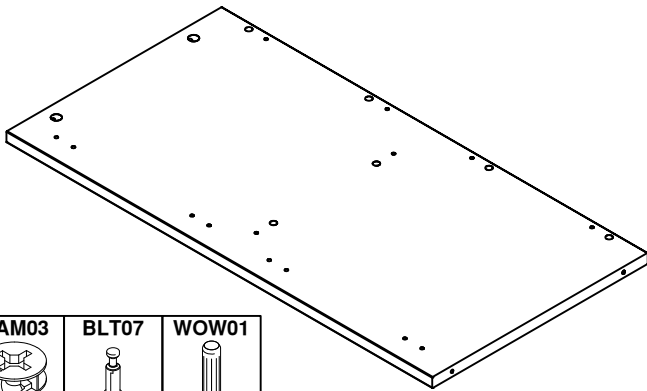


DOOR HANDLE WITH INTEGRATED LOCK BARREL

Prepare all the panels by inserting the listed fittings into the corresponding holes.

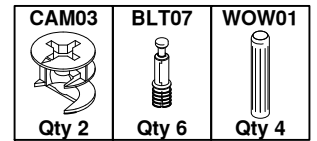
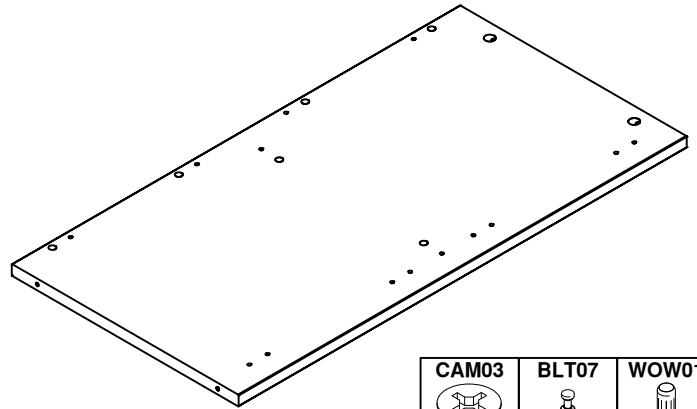
1

Step 1
Insert cams, pins and dowels into the pre drilled holes on the LH side panel.



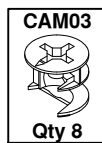
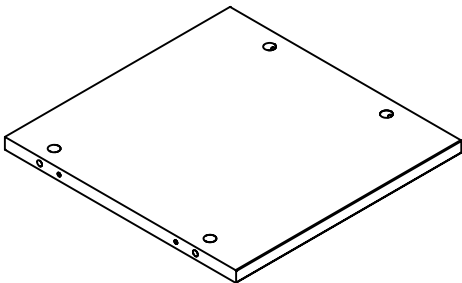
2

Step 2
Insert cams, pins and dowels into the pre drilled holes on the RH side panel.



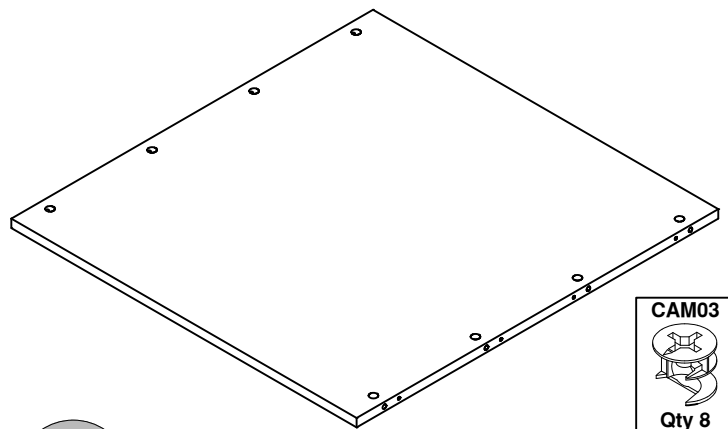
3

Step 3
Insert cams into the pre drilled holes on the narrow shelf panels. Repeat for both shelves.



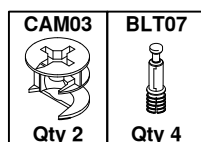
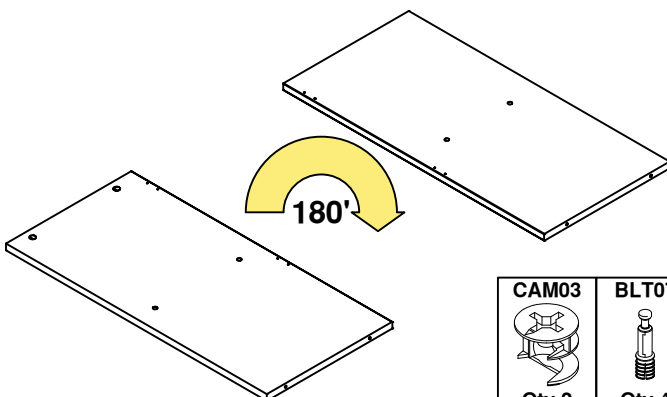
4

Step 4
Insert cams into the pre drilled holes on the back panel.



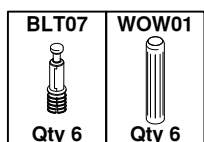
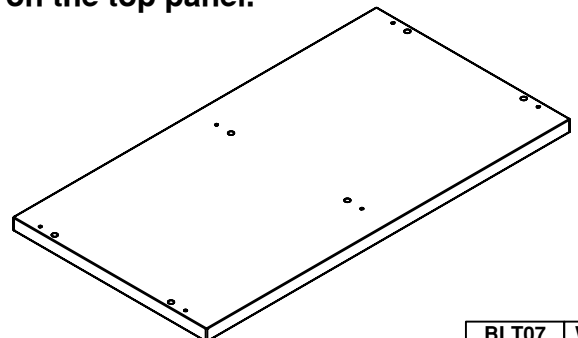
5

Step 5
Insert the cam and pin fittings first before turning the panel over to insert the remaining pins.



6

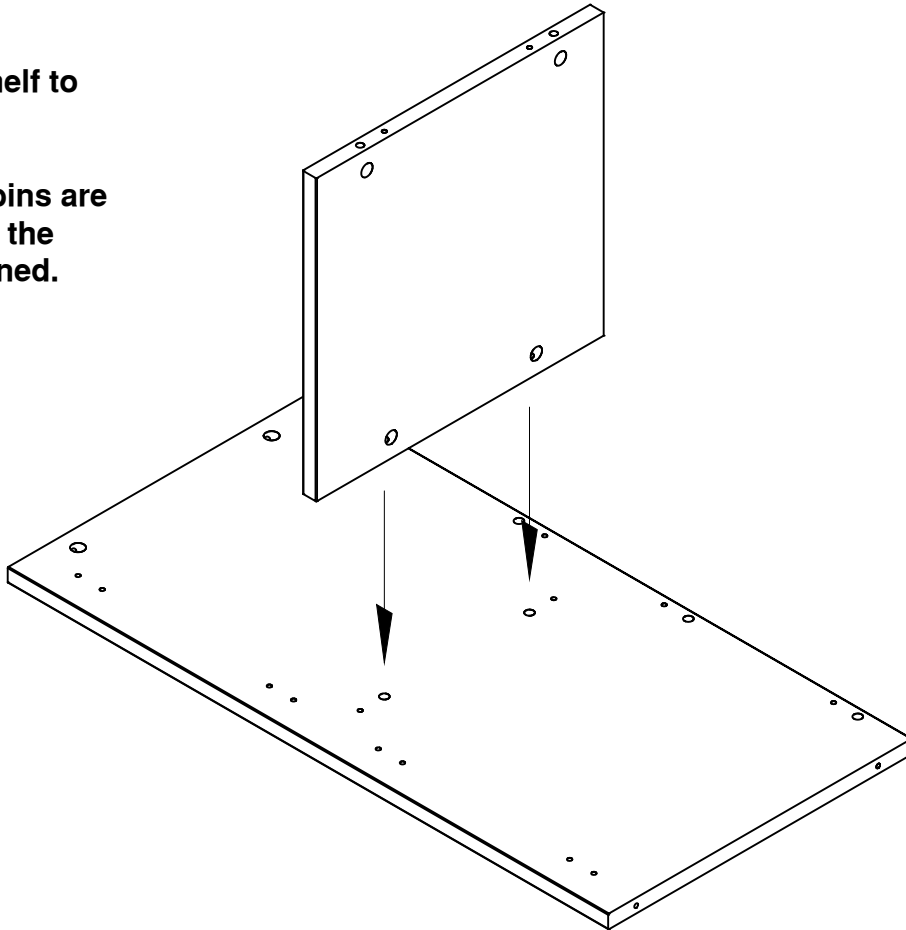
Step 6
Insert cams, pins and dowels into the pre drilled holes on the top panel.



7

Step 7
Attach the narrow shelf to the LH side panel.

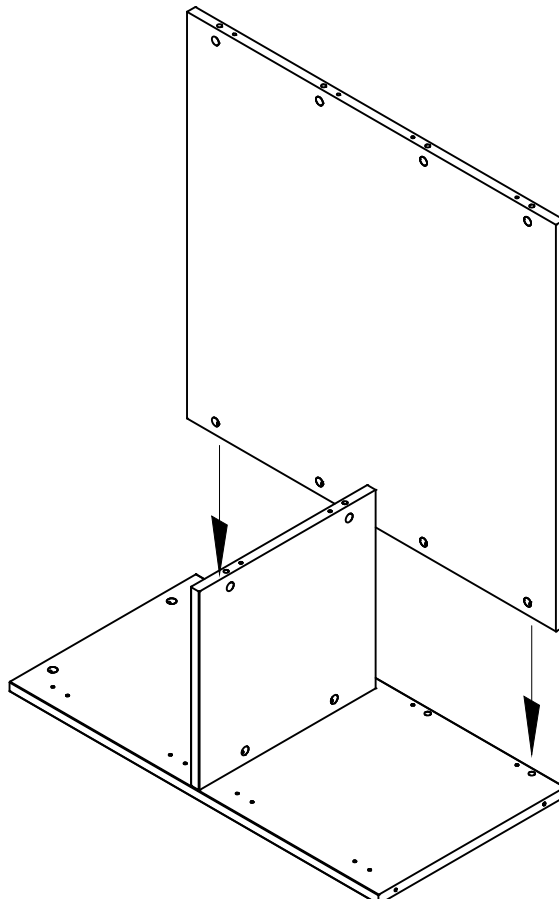
Once the cams and pins are engaged ensure that the cams are fully tightened.



8

Step 8
Attach the back panel to the LH side panel.

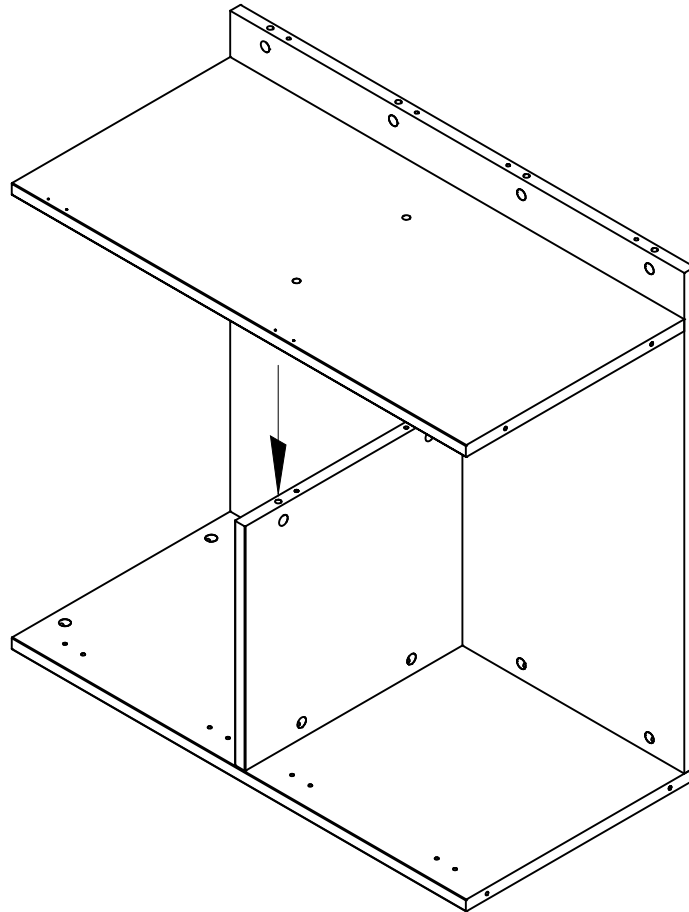
Once the cams and pins are engaged ensure that the cams are fully tightened.



9

Step 9
Attach the partition to the narrow shelf panel.

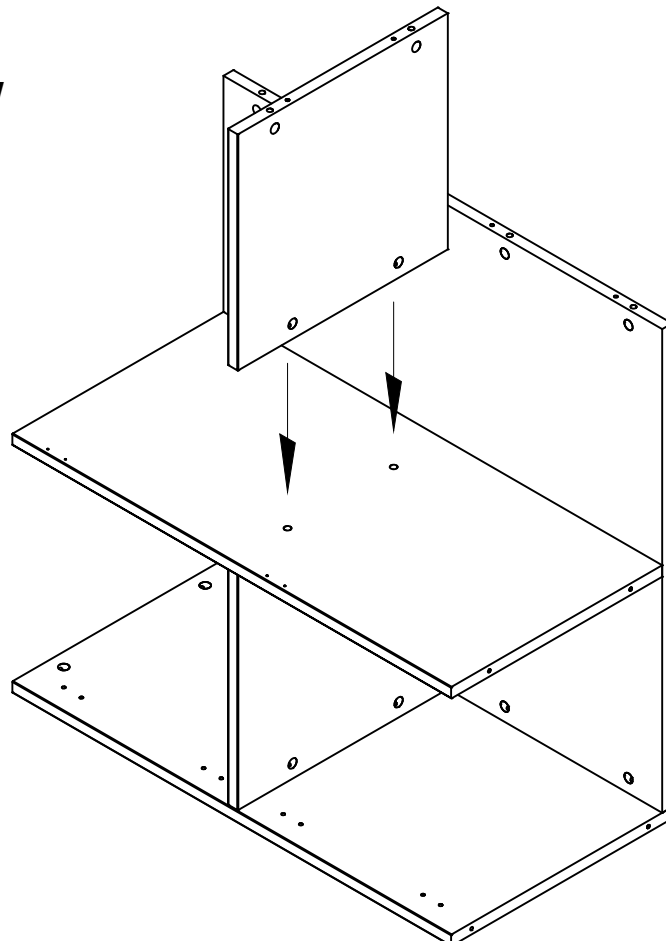
Once the cams and pins are engaged ensure that the cams are fully tightened.



10

Step 10
Attach the remaining narrow shelf to the partition panel.

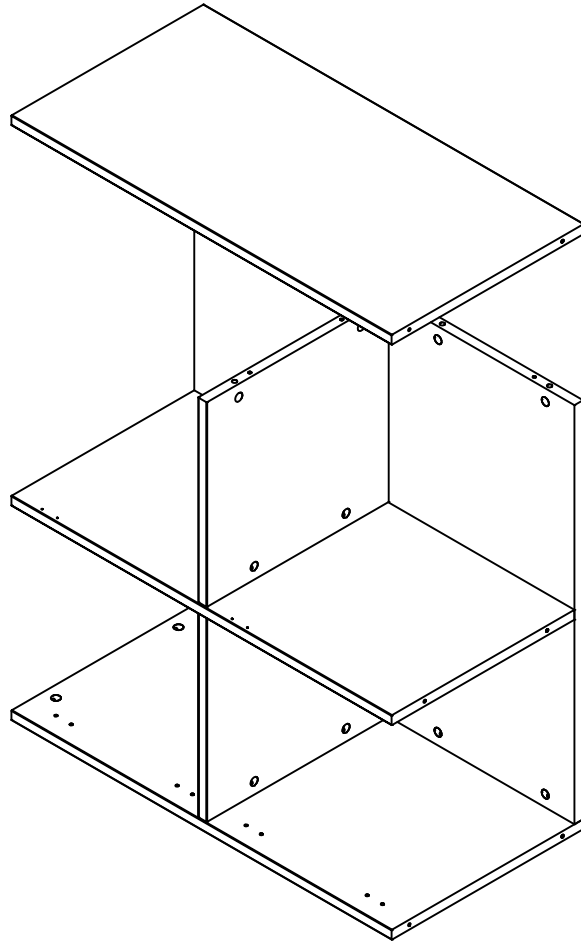
Once the cams and pins are engaged ensure that the cams are fully tightened.



11

Step 11
Attach the RH side panel to the back and narrow shelf panels.

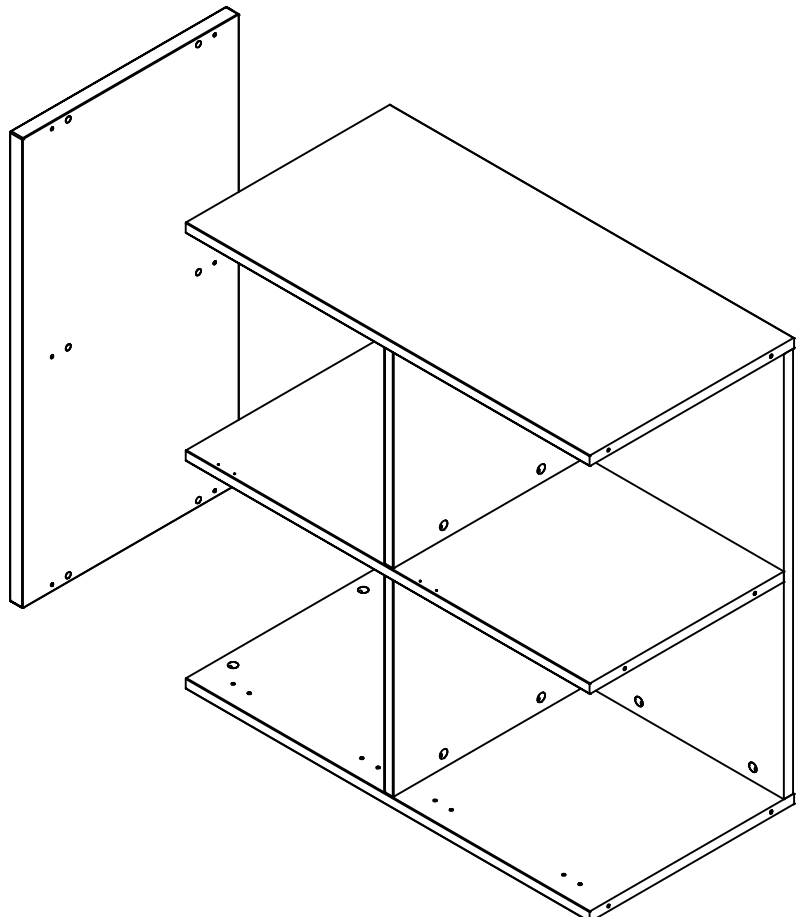
Once the cams and pins are engaged ensure that the cams are fully tightened.



12

Step 12
Attach the top to the unit.

Once the cams and pins are engaged ensure that the cams are fully tightened.

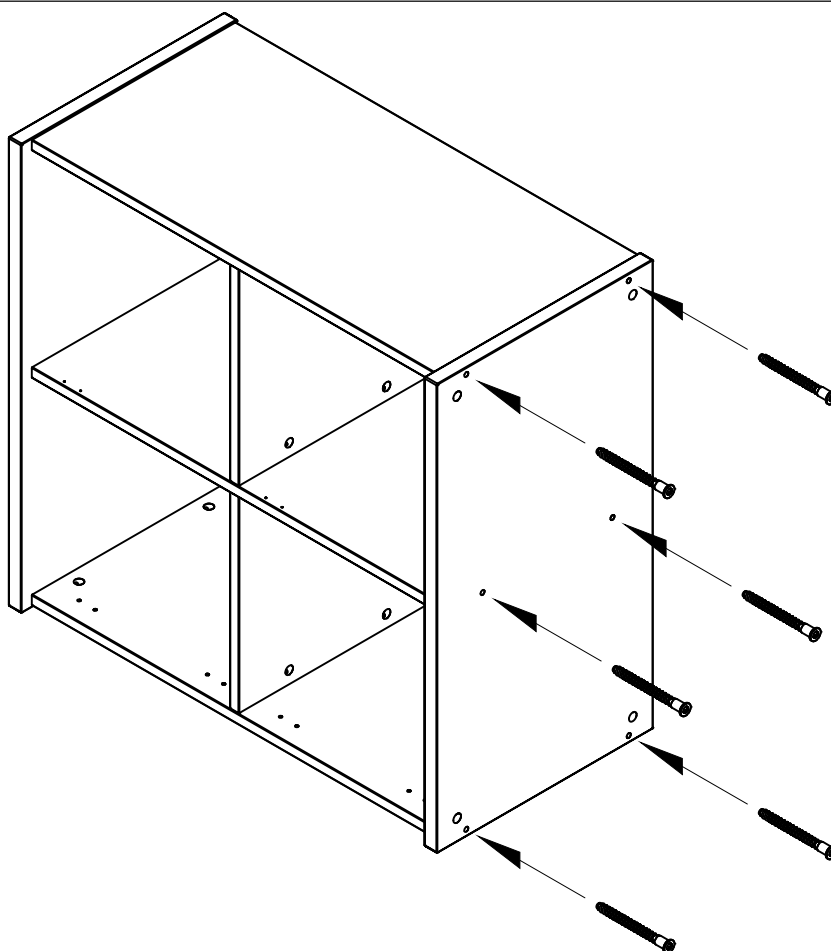


13

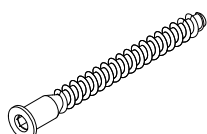
Step 13
Attach the base to the unit.
using the confirmat screws
provided.

a 4mm Allen key is required
to insert these screws.

Ensure they are fully
screwed in before
attempting to attach the
adjustable feet.



QUANTITY - 6



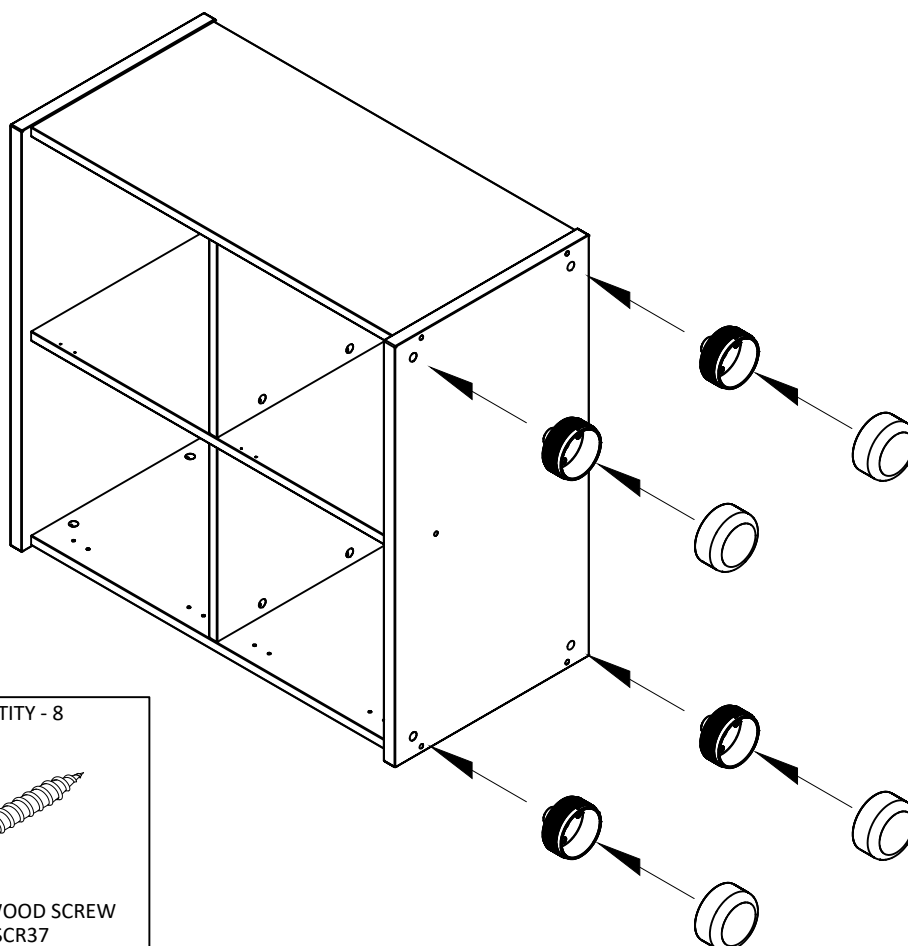
70mm CONFIRMAT SCREW
RM-CFM02

14

Step 14
Attach the 4 adjustable feet
inner housings to the base
of the unit.

Each foot should be
attached using 2 of the
4x20mm wood screws
provided.

Once attached screw on the
adjustable foot outer
housing.

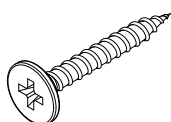


QUANTITY - 4



50mm ADJUSTABLE FOOT

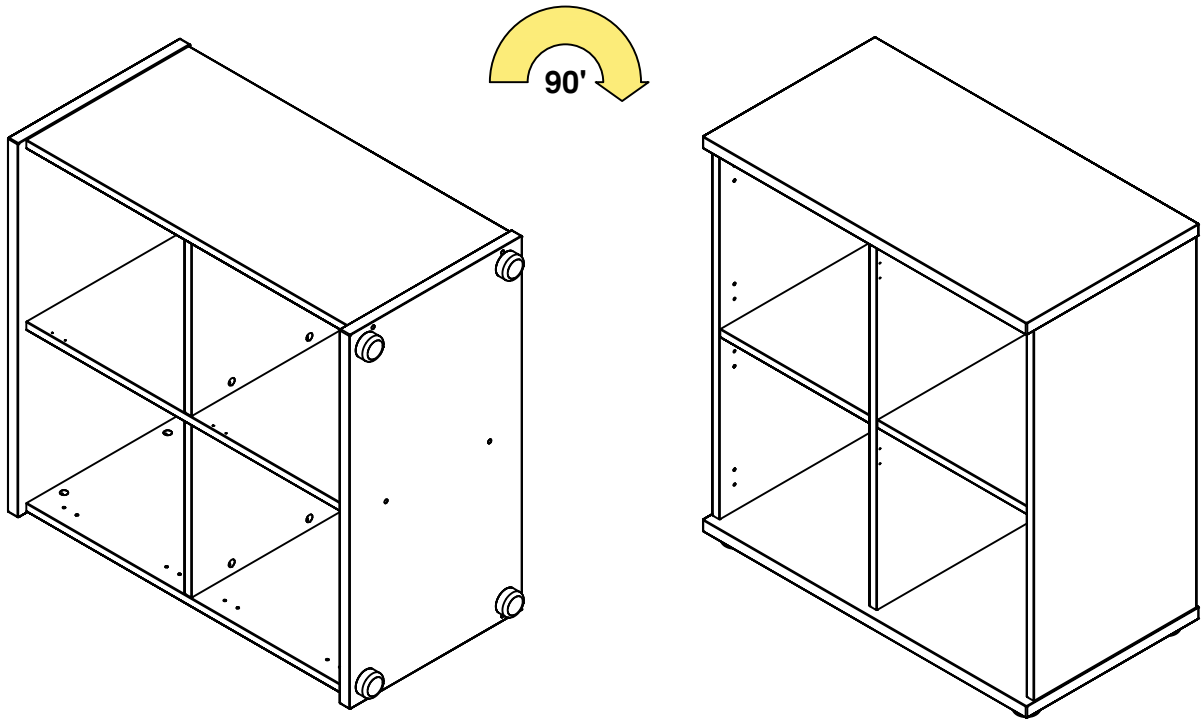
QUANTITY - 8



4 x 20mm WOOD SCREW
RM-SCR37

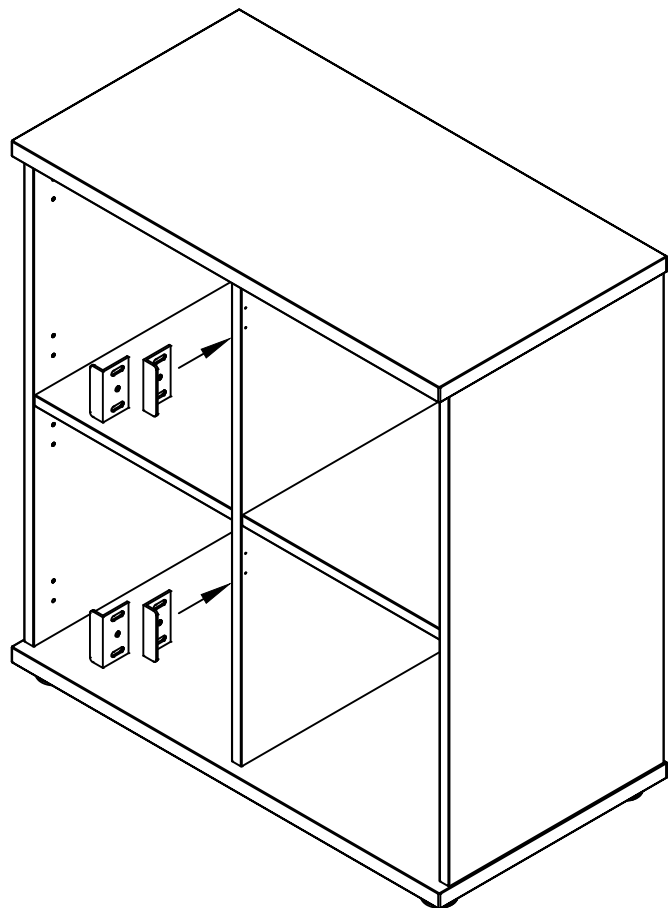
15

Step 15
Stand the unit upright and position in your desired location.

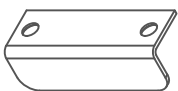


16

Step 16
Mount the lock strike plates to the partition panel using the 3.5 x 12mm screws.

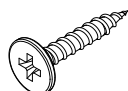


QUANTITY - 4



40mm STRIKE PLATE

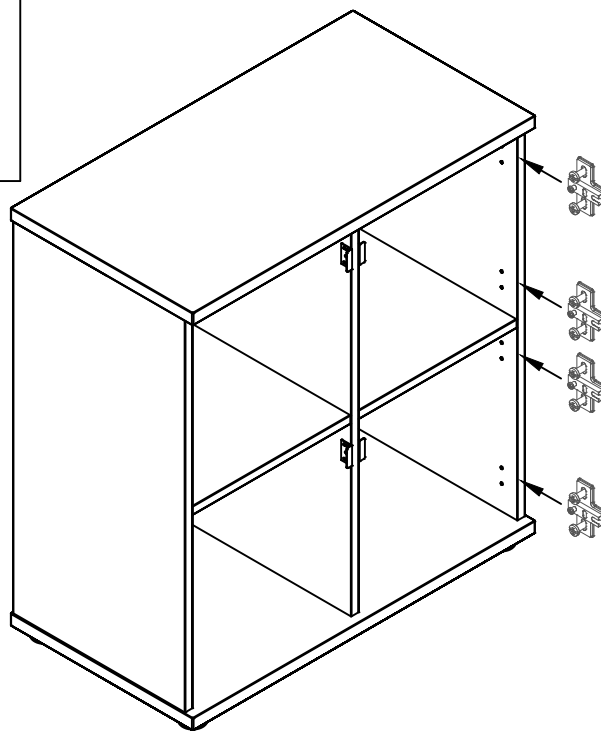
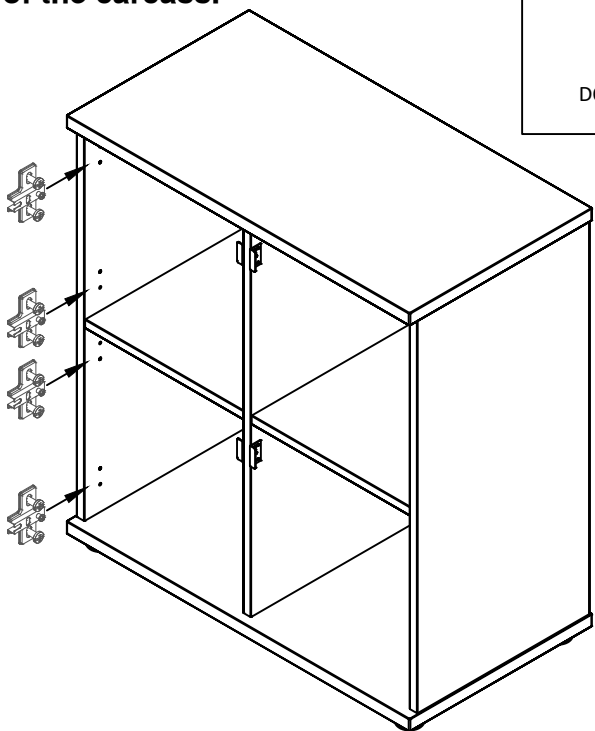
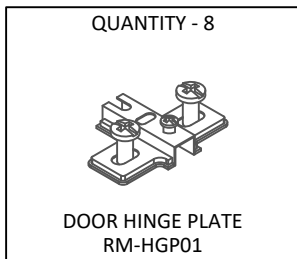
QUANTITY - 8



3.5 x 12mm WOOD SCREW

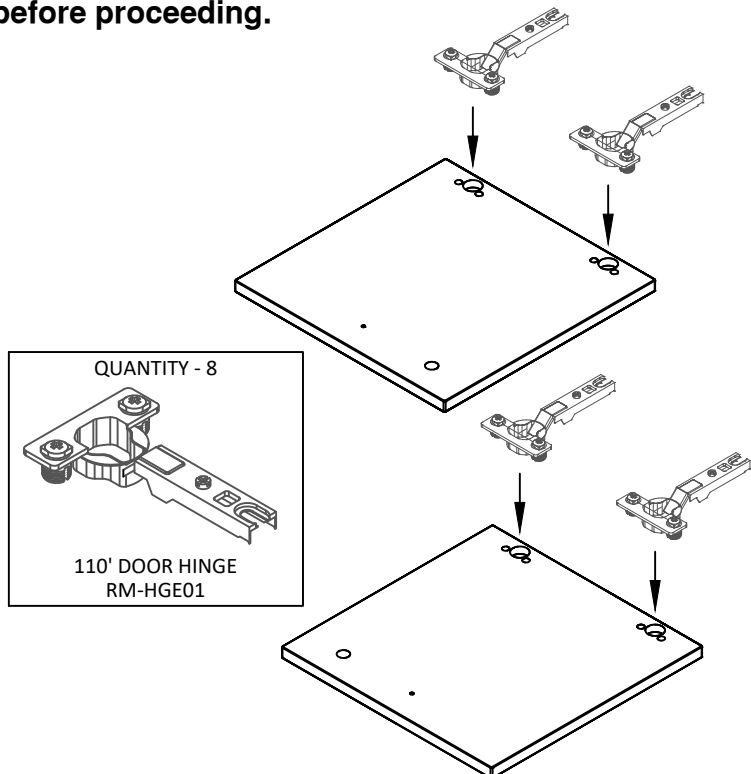
17

Step 17
Fix all hinge plates to both side of the carcass.



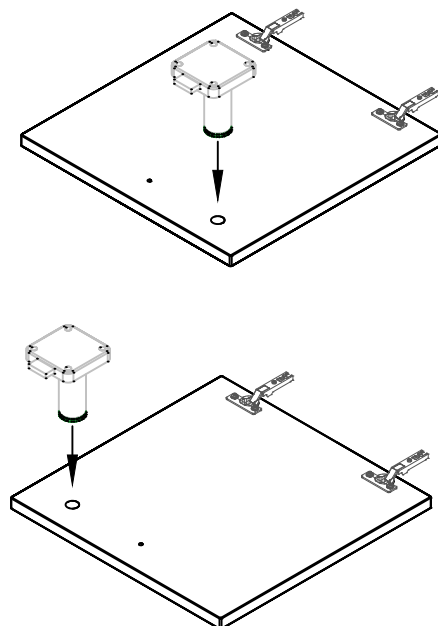
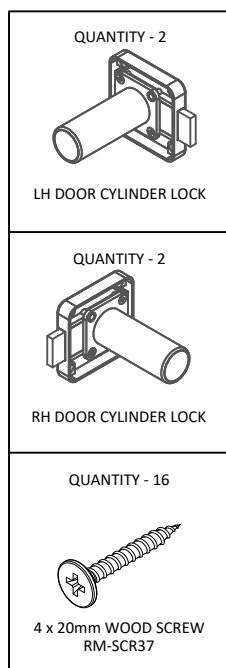
18

Step 18
Attach the door hinges to all doors, ensure the all screws are tightened before proceeding.



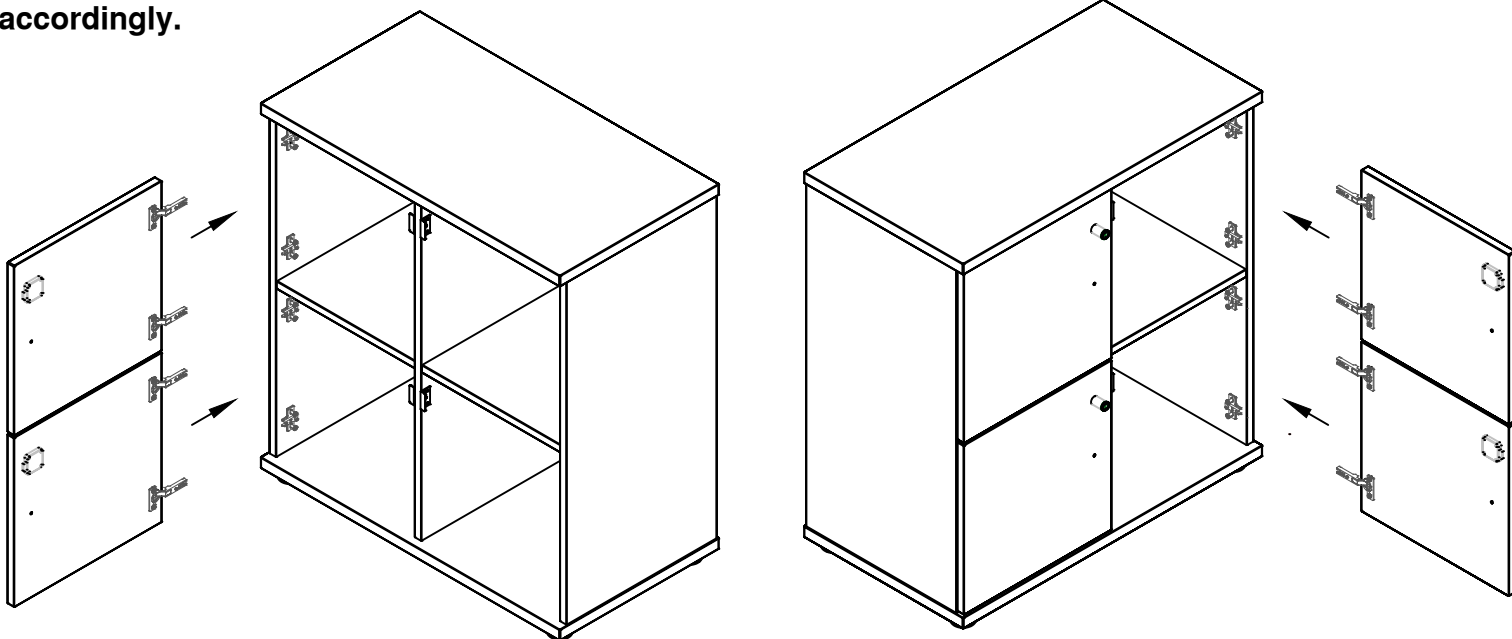
19

Step 19
Fix the lock barrels to each door. There are different locks for LH and RH doors. LH door locks have a red cap. RH door locks have a green cap.



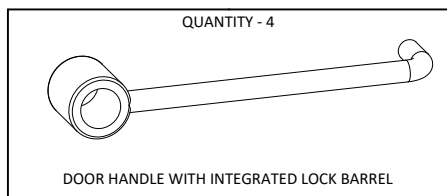
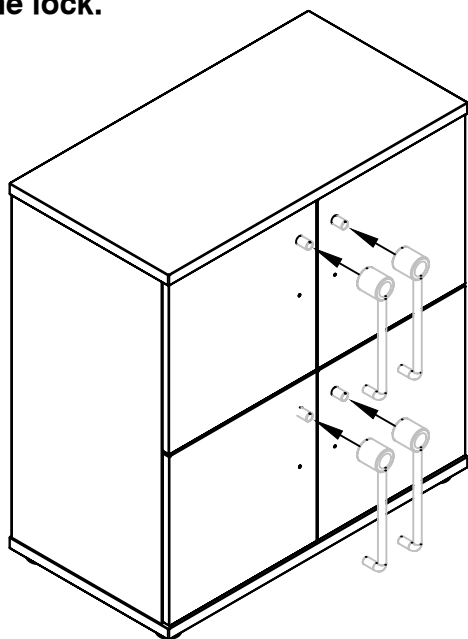
20

Step 20
Attach all doors to the carcass and adjust accordingly.



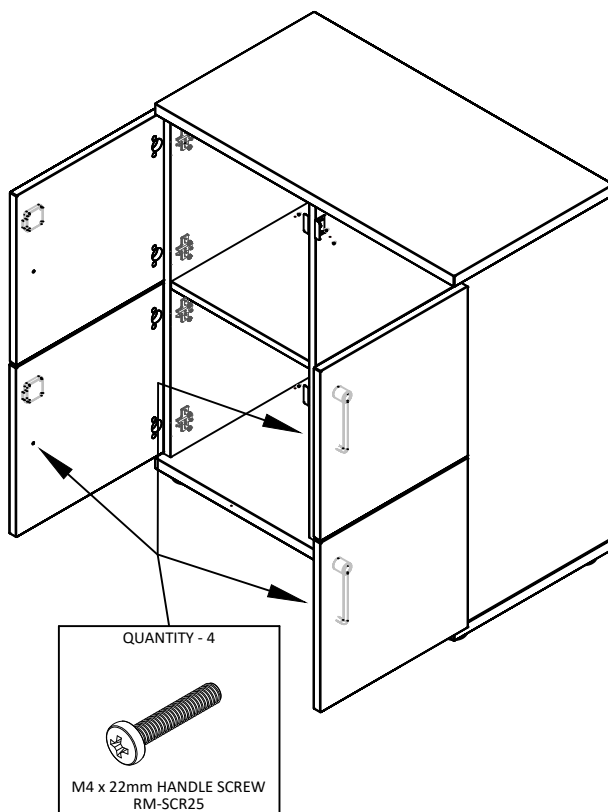
21

Step 21
Position all handles onto the doors, the barrel of the handle should slide over the barrel of the lock.

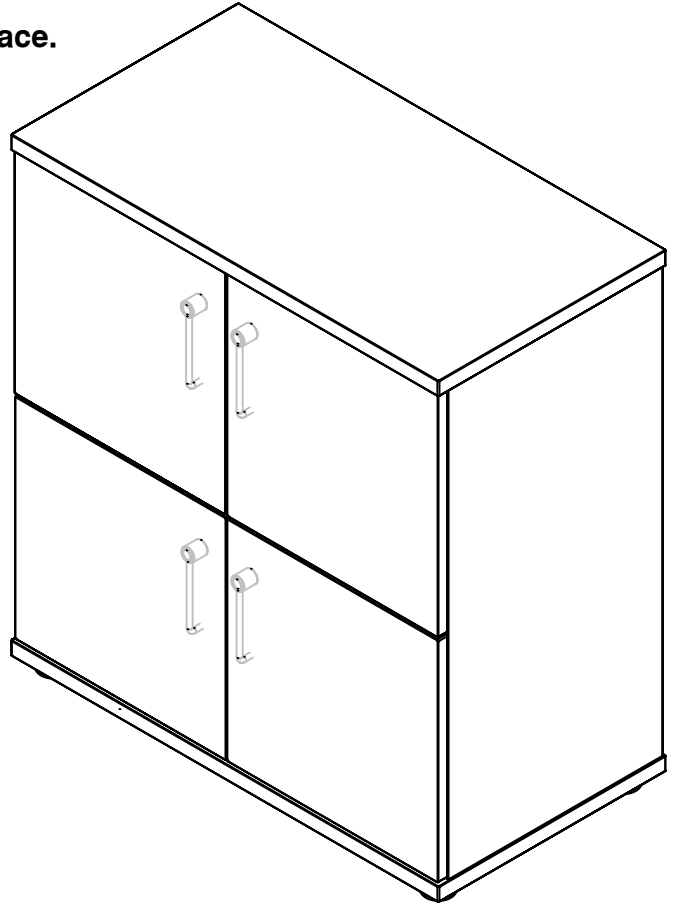
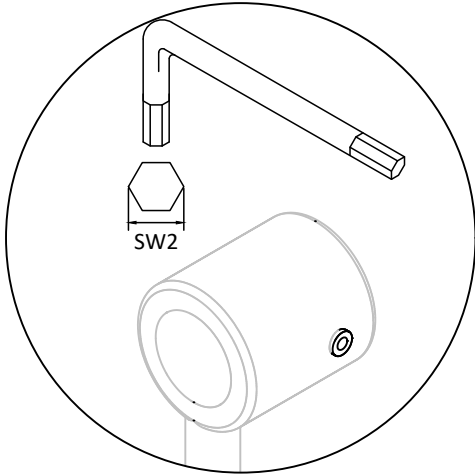


22

Step 22
Fix the handles in place on all doors using the M4x22mm bolts.



Step 23
Tighten the grub screws on each handle to lock it in place.
Use the SW2 allen key that is provided.



Step 24
Remove the caps from the lock barrels and insert the lock mechanism into each lock barrel.

The barrel should be in the unlocked position whilst inserting the lock mechanism.

When inserting the barrel the key needs to remain inserted.

The mechanism will only fit in 1 way, ensure the key is vertical and the keycode is visible on the LH side of the barrel.

