



### Please read before assembling the product

Carefully open packaging.  
Check you have all the components shown on instructions sheets. Some products, instructions and fittings are packed in more than one box.  
Handle Panels with care. Complete each stage before going to the next one.  
Please keep packaging until assembly is complete. We hope that you are happy with the product.



Please recycle packaging



Keep fittings away from children

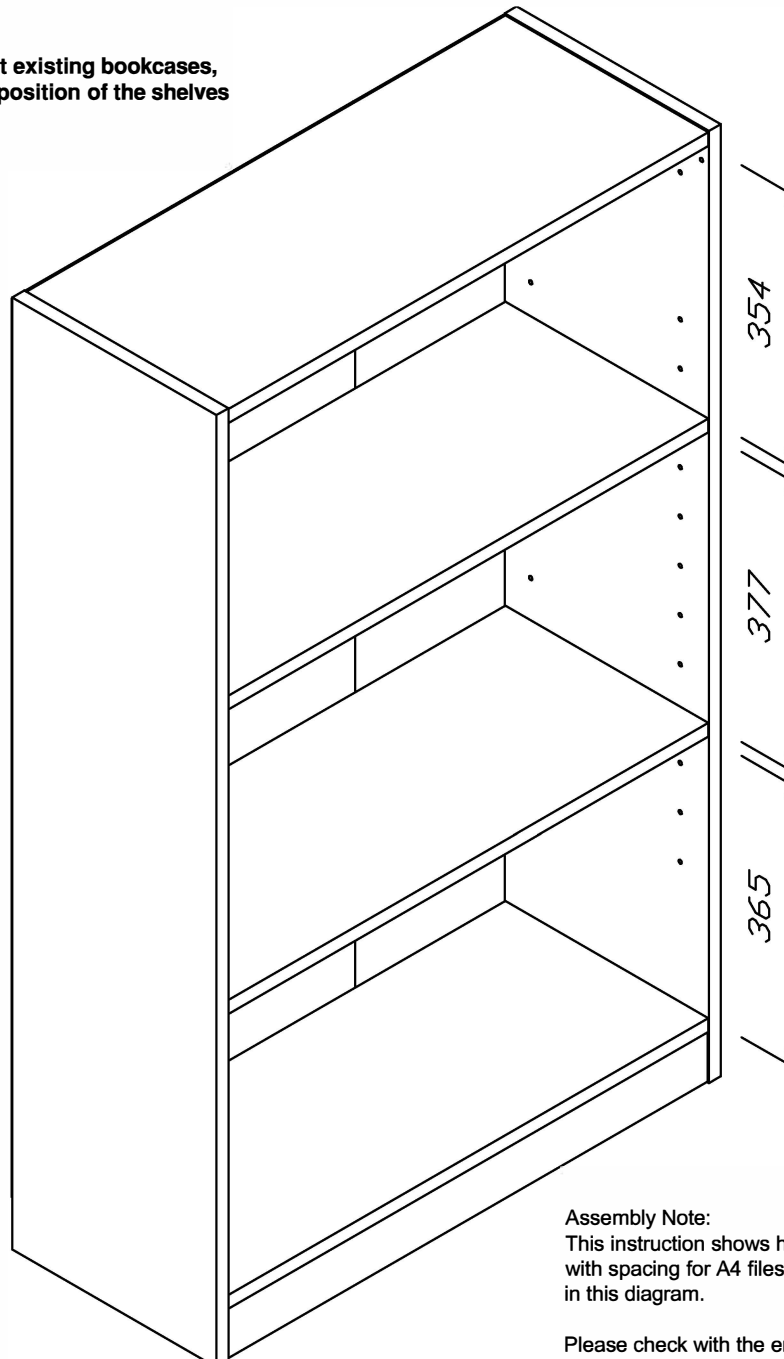


No power tools when inserting cam pins



No power tools when tightening cams

If this unit is to be stand against existing bookcases, you will need to check that the position of the shelves match your existing spacing.



**Assembly Note:**  
This instruction shows how to assemble the product with spacing for A4 files, as per the dimensions illustrated in this diagram.

Please check with the end user before assembling the bookcase, as to their spacing requirements.



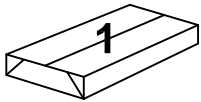
Please check that you have all the fittings



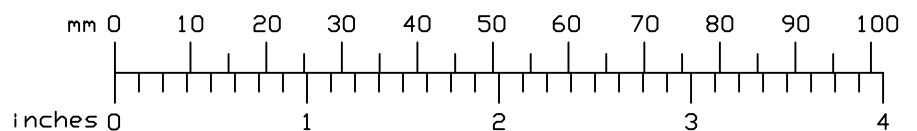
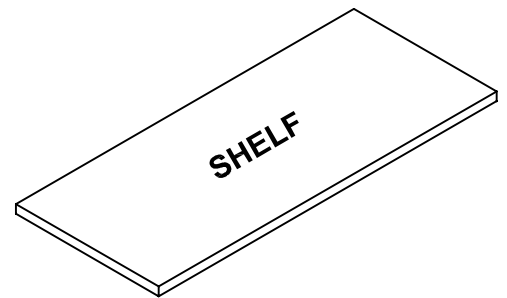
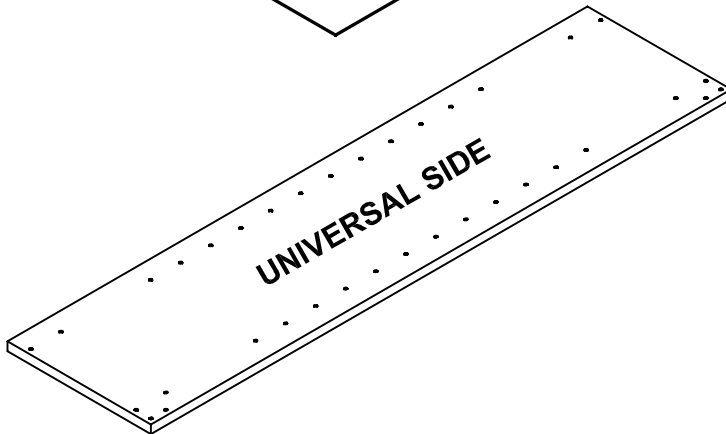
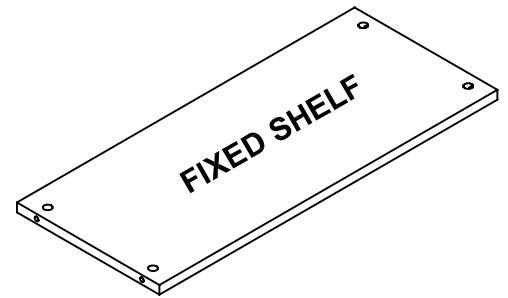
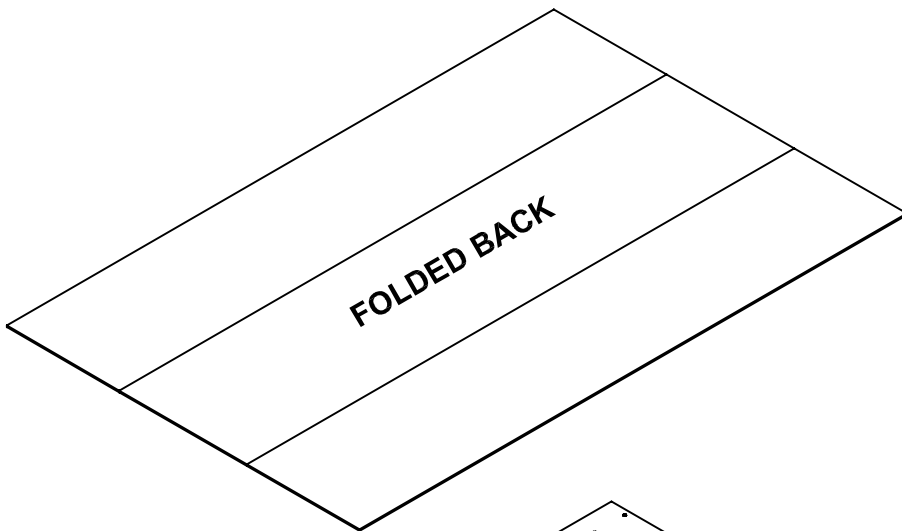
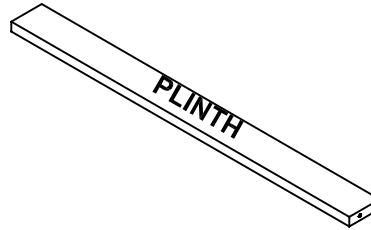
BC			
1	4mm Allen key ALK01		
12	Cam 15N CAM03		
12	Mini fix pins 24mm PIN04		
4	Shelf clip PAR07		
28	Panel pin SCR34		
4	Wood dowel 5mm WOW1		



Please check that you have all the panels



1	Plinth
1	Folded back
2	Universal side
1	Shelf
3	Fixed Shelf



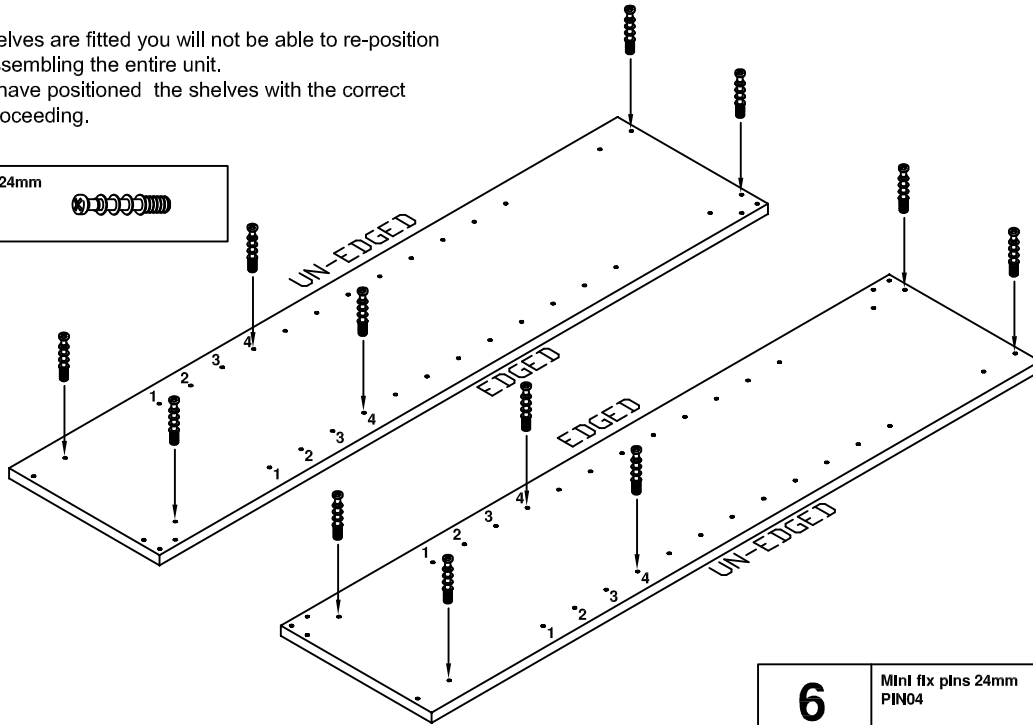
1

### Universal Side

Assembly Note:  
Once the fixed shelves are fitted you will not be able to re-position them without disassembling the entire unit.  
Please check you have positioned the shelves with the correct spacings before proceeding.

6

Mini fix pins 24mm  
PIN04



6

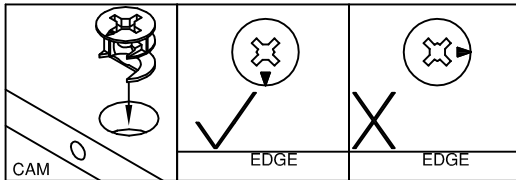
Mini fix pins 24mm  
PIN04



If this unit is to stand against existing bookcases, you will need to check that the position of the shelves match your existing spacing.

2

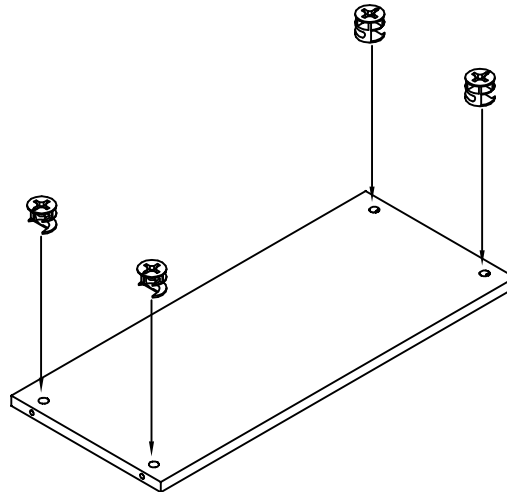
### Fixed Shelf



Insert the cam into the 'surface' hole with the arrow aimed at the adjacent edge which has the smaller hole.

4

Cam 15N  
CAM03

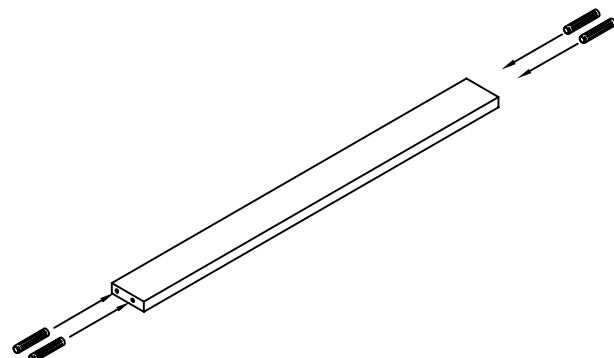


3

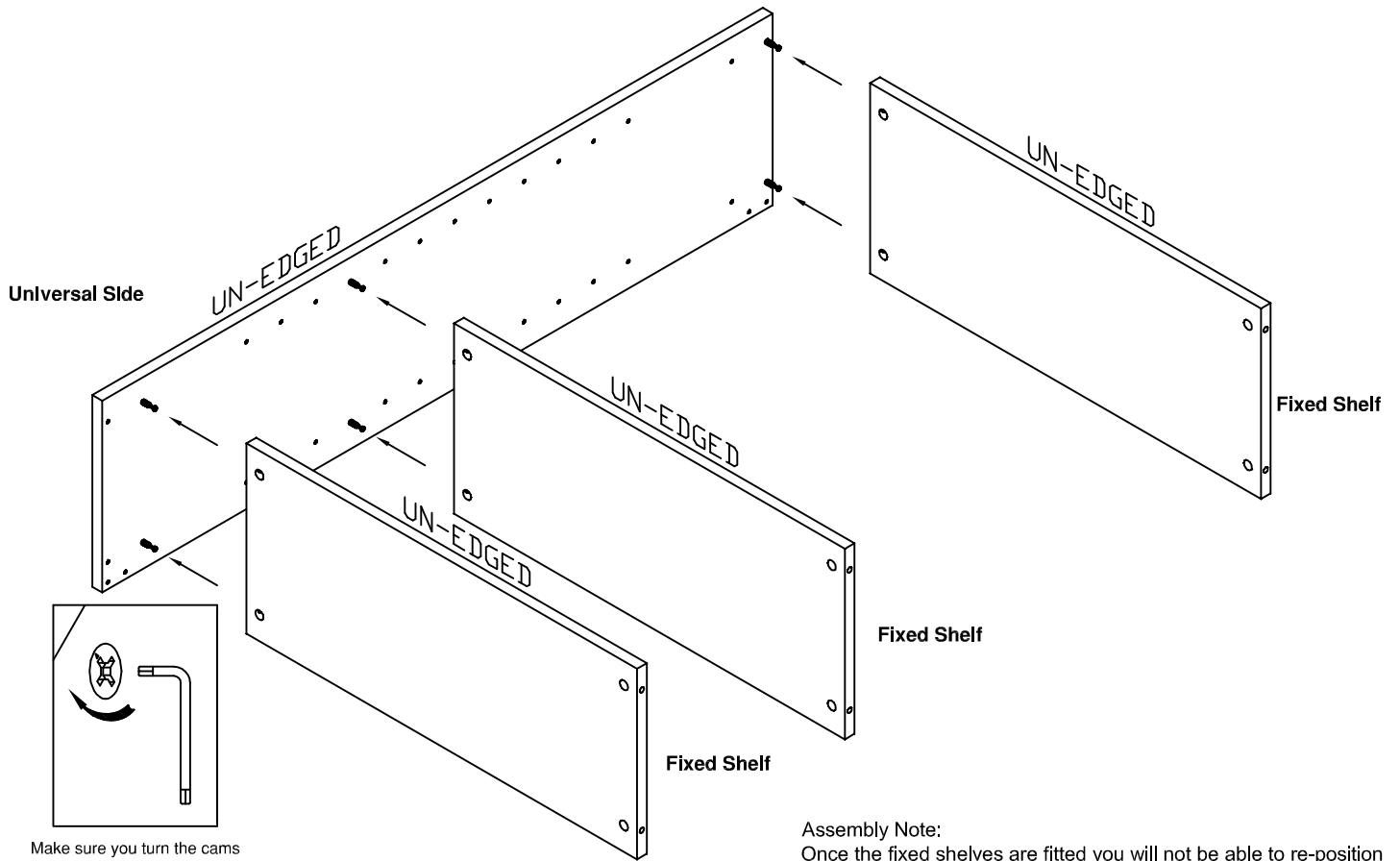
### Plinth

4

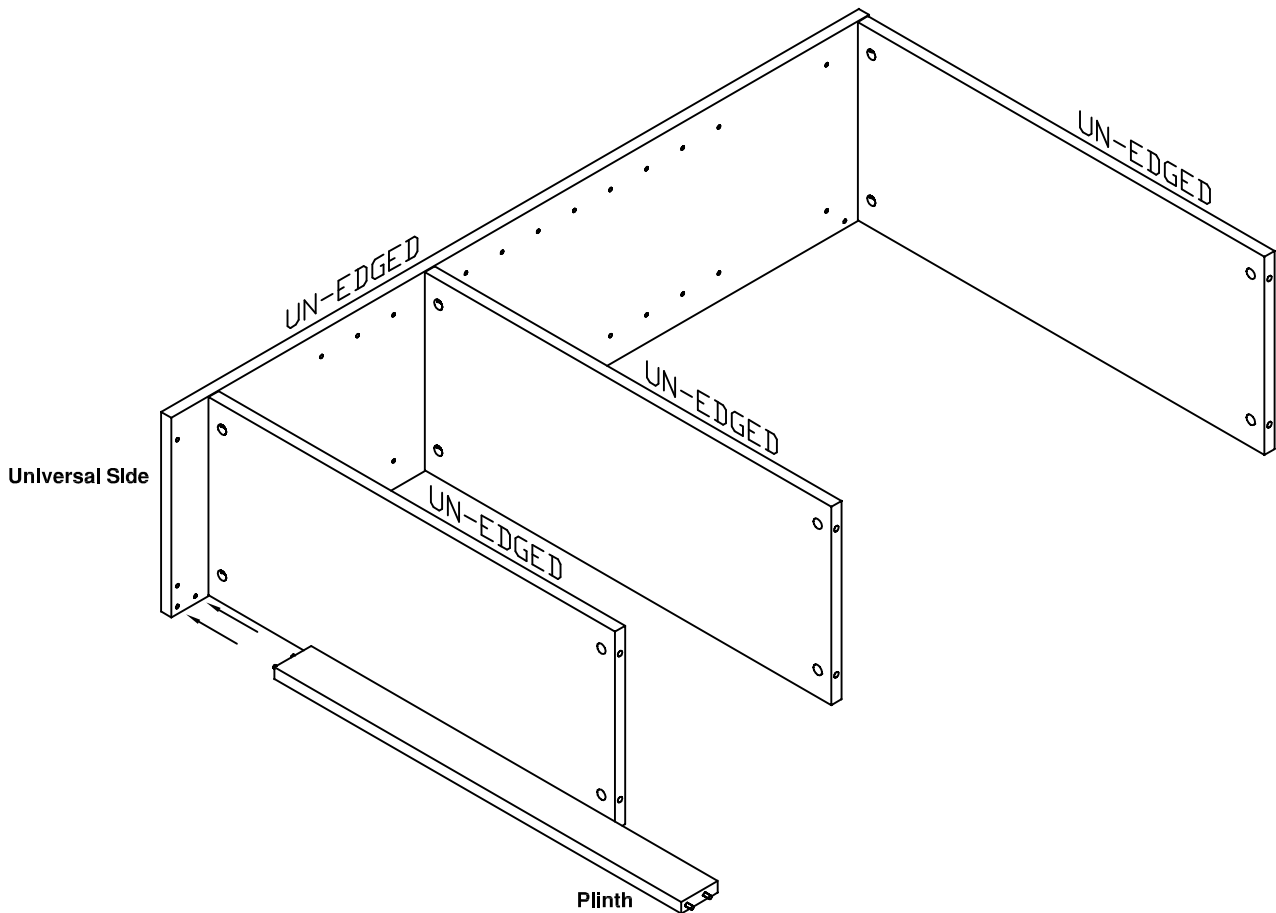
Wood dowel 5mm  
WOW1



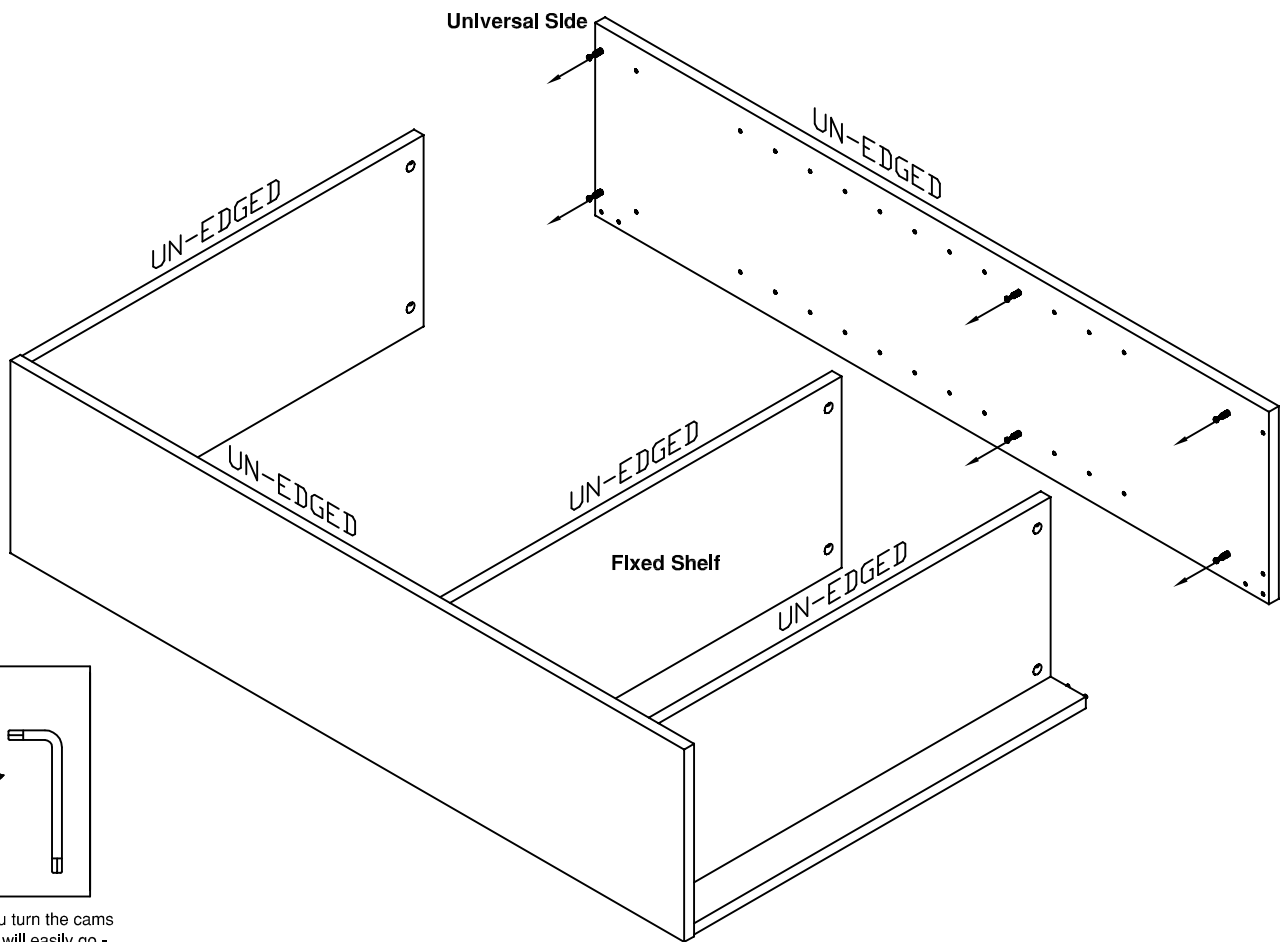
4



5

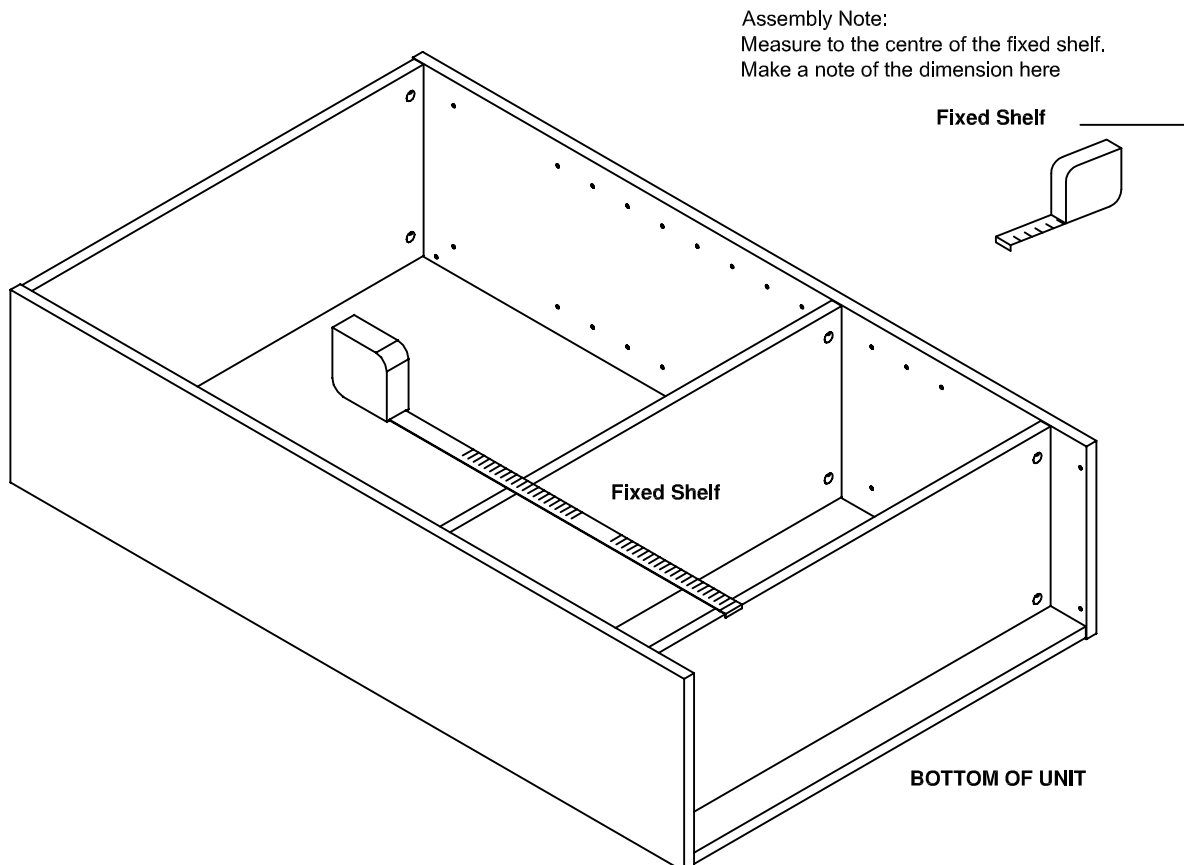


6




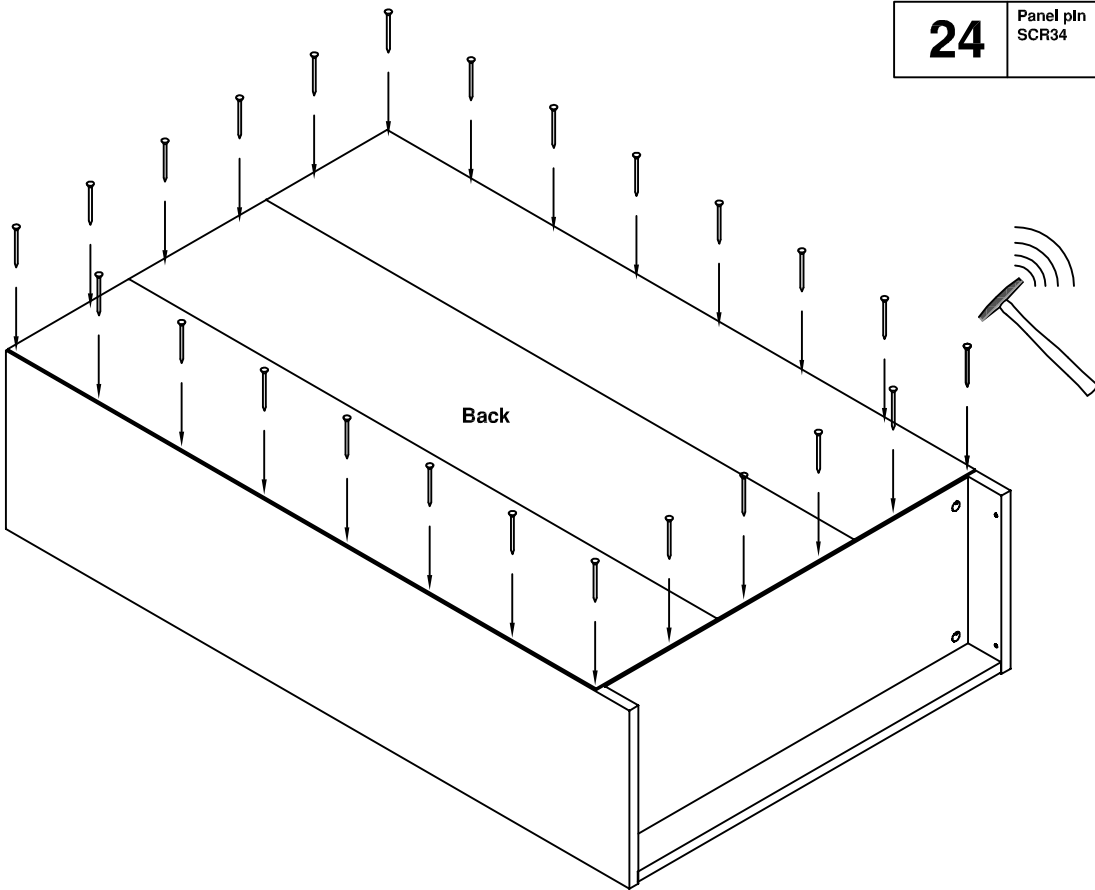
Make sure you turn the cams as far as they will easily go - more than half a turn.

7




8

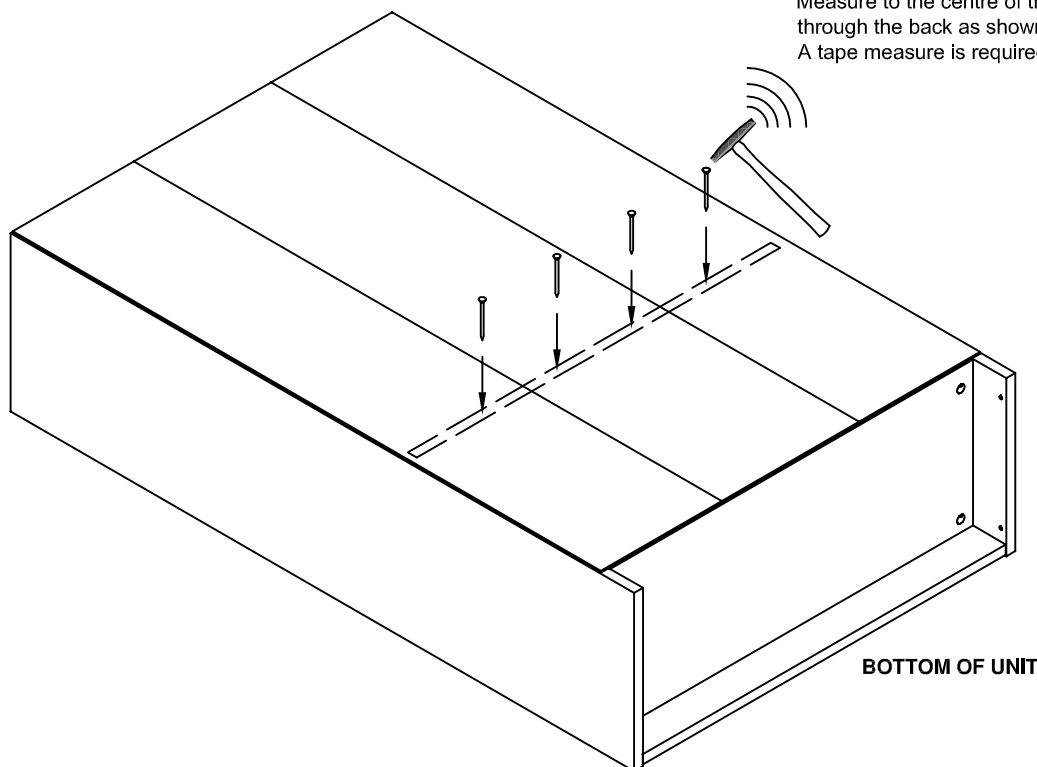
<b>24</b>	Panel pin SCR34	
-----------	--------------------	---



9

<b>4</b>	Panel pin SCR34	
----------	--------------------	---

Assembly Note:  
Refer back to stage 7 where you wrote the measurement to the fixed shelves.  
Measure to the centre of the fixed shelf and then pin through the back as shown.  
A tape measure is required.



4

Shelf clip  
PAR07

