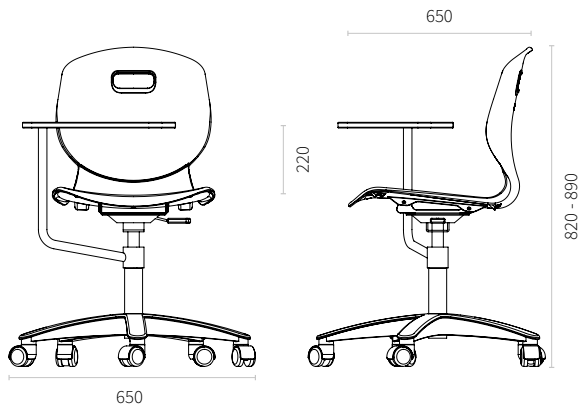


# Arco

## TA12 SWIVEL CHAIR & PERSONAL WORKSPACE SPECIFICATION

The swivel provides the same features as the Dynamic 3D tilt chair, with the same added comfort and moveability, except that it is height adjustable only.

- Conforms to BS EN 1729: Part 1& 2 - Strength, Stability and Ergonomics
- Optional Arm Tablet
- 100% Recyclable
- Fire Resistant
- Antimicrobial
- Easy to clean and tested for use with chlorine based cleaners
- 5 year guarantee



SKU	TA12
PRODUCT NAME	SWIVEL & PERSONAL WORKSPACE
COLOUR	Marigold / Coral / Grape / Forest / Steel Blue / Anthracite
MATERIAL	PP1100 + 4% Glass Fibre
BASE/FRAME MATERIAL	Nylon base
CERTIFICATIONS	Conforms to BS EN 1729 Part 1 & 2 Antimicrobial
FIRE RET LEVEL	UL94 V-2
COMPONENT GUARANTEE	5 Years
USAGE RECOMMENDED	8 Hours
WEIGHT TOLERANCE	115kg
GROSS WEIGHT	N/A
NETT WEIGHT	7.3kg
BOXED VOLUME	N/A
EFFECTIVE VOLUME	N/A
BOXED WIDTH	N/A
BOXED DEPTH	N/A
BOXED HEIGHT	N/A

DOWNLOAD  
CAD  
MODELS

DOWNLOAD  
PRODUCT  
IMAGES



### SHELL COLOURS



### FRAME COLOURS



PRODUCT WIDTH	650
PRODUCT DEPTH	650
PRODUCT HEIGHT	820 - 890
CHAIR SEAT HEIGHT	820 - 890
CHAIR SEAT WIDTH	425
CHAIR SEAT DEPTH	410
CHAIR BACK HEIGHT	425
CHAIR BACK WIDTH	405
MECHANISM TYPE	N/A
ANTI TILT MECHANISM	N/A
ARM TYPE	Personal Workspace
ARM HEIGHT	N/A
GAS LIFT COLOUR	N/A
GAS LIFT SIZE	N/A
CASTOR SIZE	N/A
FOOT TYPE	N/A
STACK QTY	N/A