

# DANAE armchairs



## QUALITY STANDARD

- LST EN 16139:2013
- LST EN 16139:2013/AC:2013

## TECHNICAL INFORMATION

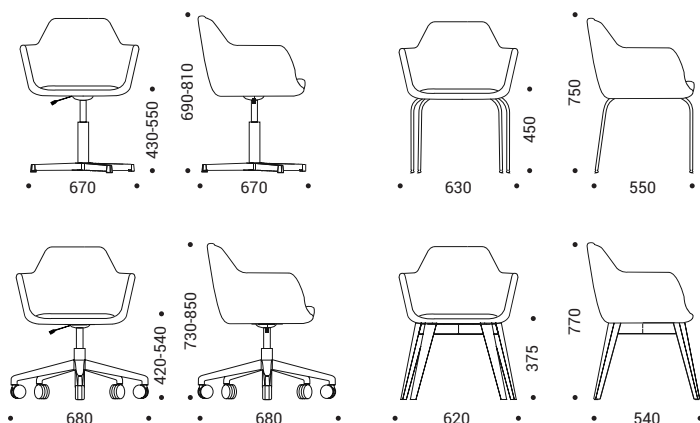
### Frame and padding

- Steel framework moulded in polyurethane;
- Fabric is glued and fixed from underside.

### Base

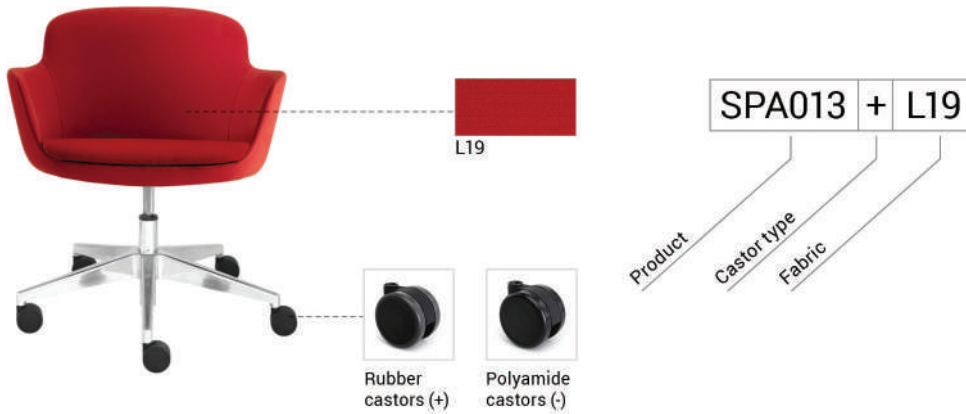
- Four-star aluminium base with 120 mm run range gas lift;
- Four-leg chromed tube frame Ø20mm;
- Five-star aluminium base with 65 mm castors (for soft or hard floor), 120 mm run range gas lift;
- Four-leg lacquered natural ash solid wood base.





## RANGE



# ORDERING EXAMPLE

## Code structure



	Description	W	D	H	SH	Code	Price, GBP (RRP)			
							Fabric:	Leather look/fabric:	Fabric:	Genuine leather:
							<b>Era</b>	<b>RNN, Xtreme plus, Step/Step Melange</b>	<b>Velito, Synergy</b>	<b>DNN</b>
620	 DANAE/R. Armchair. Entirely moulded in cold-cure polyurethane. Steel framework. Base: swivelling, height adjustable, polished aluminium.	670	670	690 - 820	390 - 520	SPA012	<b>748</b>	<b>792</b>	<b>844</b>	<b>1176</b>
	 DANAE/P4. Armchair. Entirely moulded in cold-cure polyurethane. Steel framework. Base: chromed stainless steel legs.	630	550	750	450	SPA020	<b>732</b>	<b>768</b>	<b>828</b>	<b>1160</b>
	 DANAE/W. Armchair. Entirely moulded in cold-cure polyurethane. Steel framework. Base: lacquered natural ash solid wood base.	620	550	770	470	SPA021	<b>796</b>	<b>812</b>	<b>864</b>	<b>1188</b>
	 DANAE/F. Armchair. Entirely moulded in cold-cure polyurethane. Steel framework. Base: swivelling, height adjustable, 5 star die-cast polished aluminium with castors.	680	680	730 - 860	420 - 550	SPA013	<b>676</b>	<b>680</b>	<b>736</b>	<b>1076</b>
							Castors: - +			