

Here's **one** for
the **books**.

Shaker Style Bookcase with Doors

Model 5417593

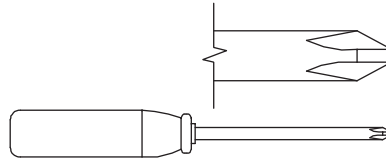
NOTE: THIS INSTRUCTION
BOOKLET CONTAINS **IMPORTANT**
SAFETY INFORMATION.

PLEASE READ AND KEEP FOR
FUTURE REFERENCE.

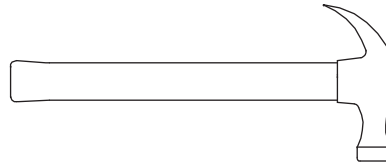
Table of Contents

Assembly Tools Required

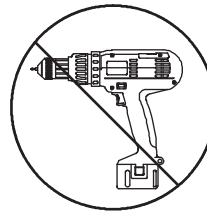
Part Identification	3
Hardware Identification	4
Assembly Steps	5-22
Français	23-25
Español	26-28
Safety	29-30
Warranty	31



No. 2 Phillips Screwdriver
Tip Shown Actual Size



Hammer
Not actual size 😊



Skip the power trip.
This time.

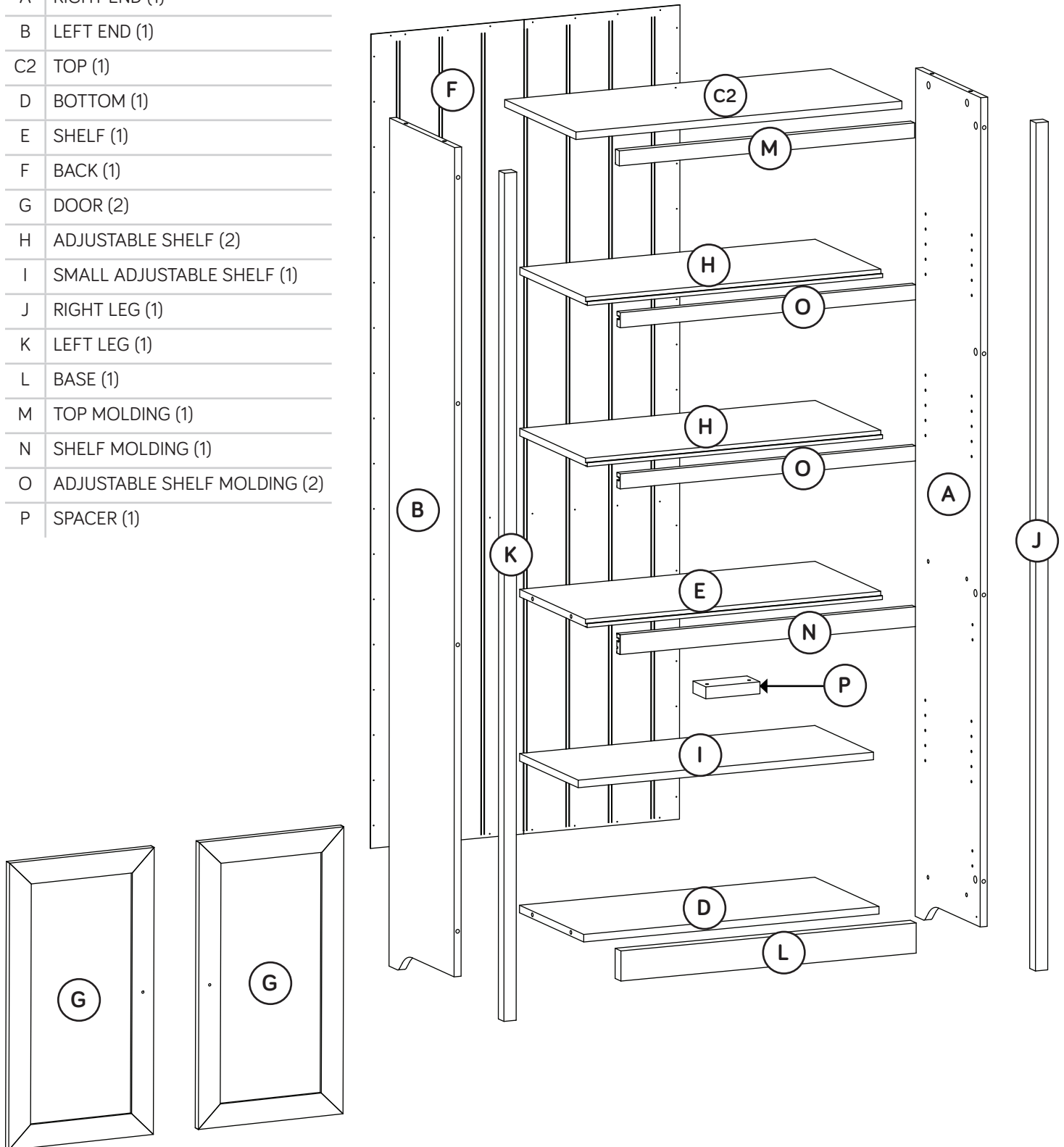
Part Identification

Now you know
our ABCs.



While not all parts are labeled, some of the parts will have a label or an inked letter on the edge to help distinguish similar parts from each other. Use this part identification to help identify similar parts.

A	RIGHT END (1)
B	LEFT END (1)
C2	TOP (1)
D	BOTTOM (1)
E	SHELF (1)
F	BACK (1)
G	DOOR (2)
H	ADJUSTABLE SHELF (2)
I	SMALL ADJUSTABLE SHELF (1)
J	RIGHT LEG (1)
K	LEFT LEG (1)
L	BASE (1)
M	TOP MOLDING (1)
N	SHELF MOLDING (1)
O	ADJUSTABLE SHELF MOLDING (2)
P	SPACER (1)



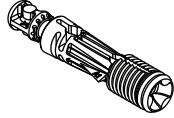
Hardware Identification

↑ Screws are shown actual size. You may receive extra hardware with your unit.

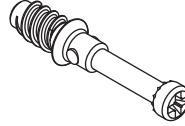
1F HIDDEN CAM - 20



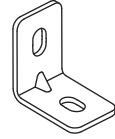
2F CAM DOWEL - 12



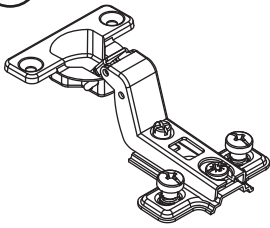
8F CAM SCREW - 8



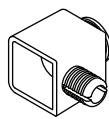
4G METAL BRACKET - 8



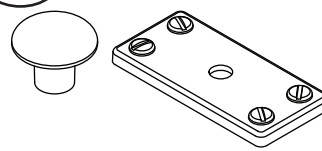
14H HINGE - 4



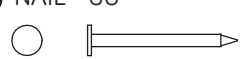
4I DOOR STOP - 2



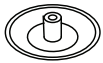
100K KNOB SET - 2



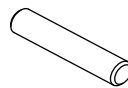
1N NAIL - 60



19P CAM COVER - 12



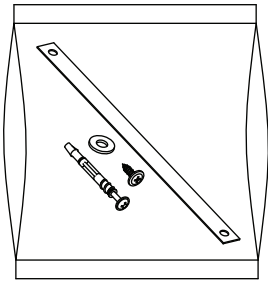
1R METAL PIN - 12



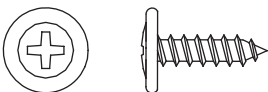
2R RUBBER SLEEVE - 12



97 FURNITURE TIPPING RESTRAINT KIT - 1



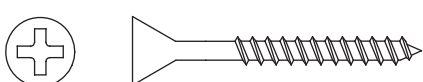
1S BLACK 9/16" LARGE HEAD SCREW - 16



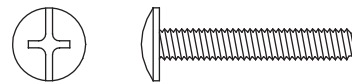
11S BLACK 1/2" FLAT HEAD SCREW - 8



14S BROWN 1-1/2" FLAT HEAD SCREW - 2



50S GOLD 1" MACHINE SCREW - 2



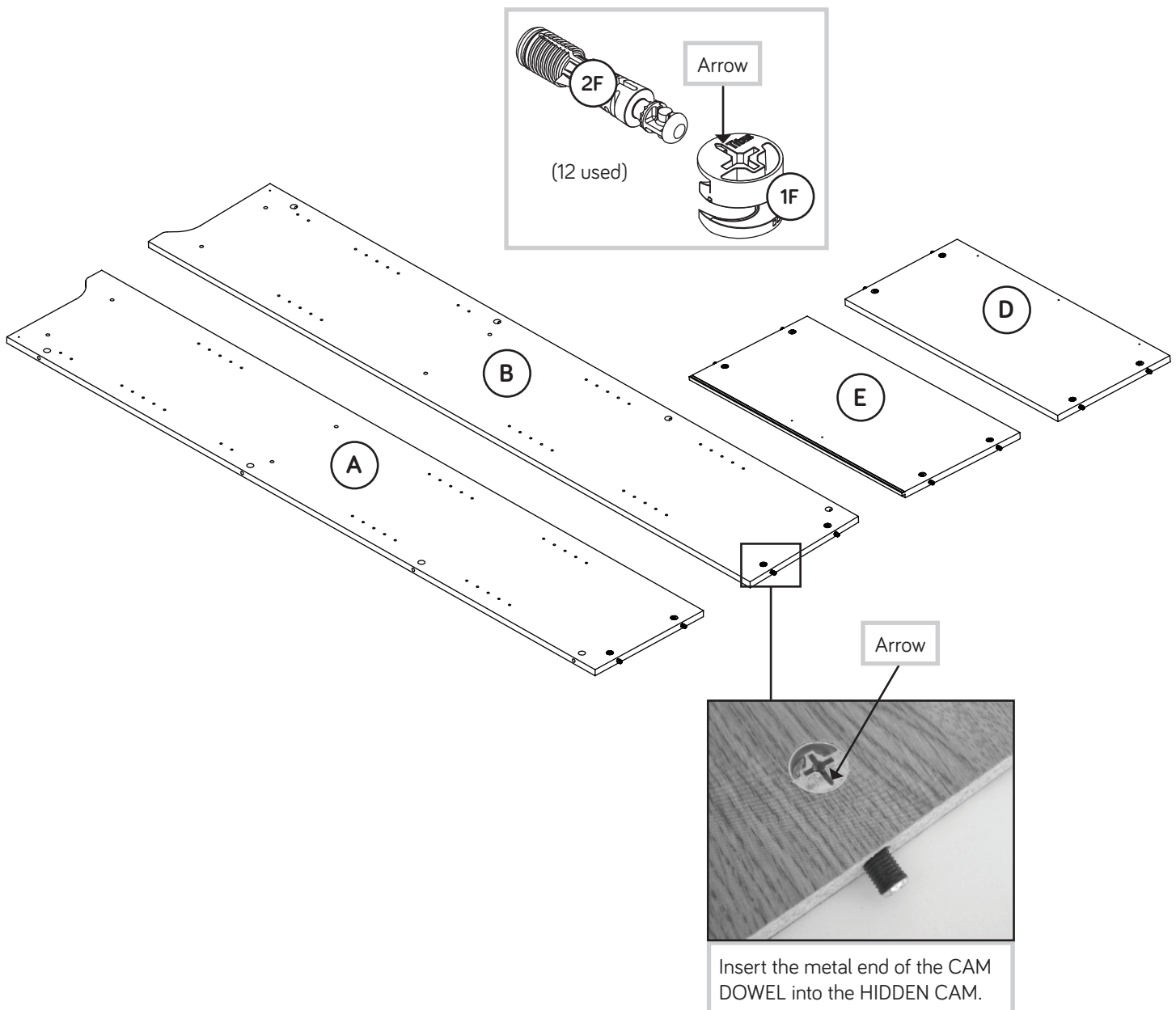
Step 1

- ✚ Assemble your unit on a carpeted floor or on the empty carton to avoid scratching your unit or the floor.
- ✚ Push twelve HIDDEN CAMS (1F) into the ENDS (A and B), BOTTOM (D), and SHELF (E). Then, insert the metal end of a CAM DOWEL (2F) into each HIDDEN CAM.

Scan this QR code to watch a video on how to assemble your unit.



Do not tighten the HIDDEN CAMS in this step.

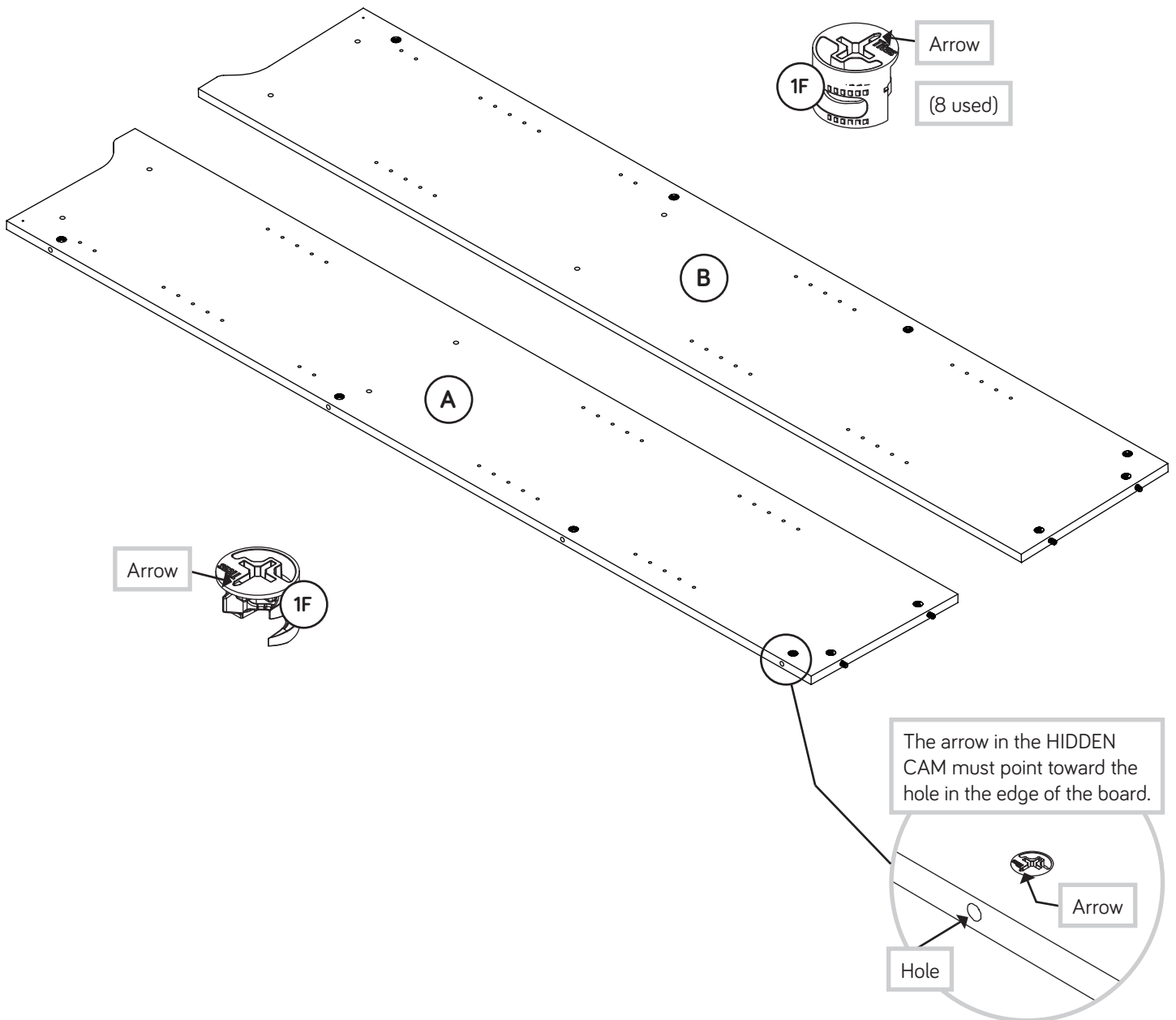


Step 2

Push eight HIDDEN CAMS (1F) into the remaining holes of the ENDS (A and B).

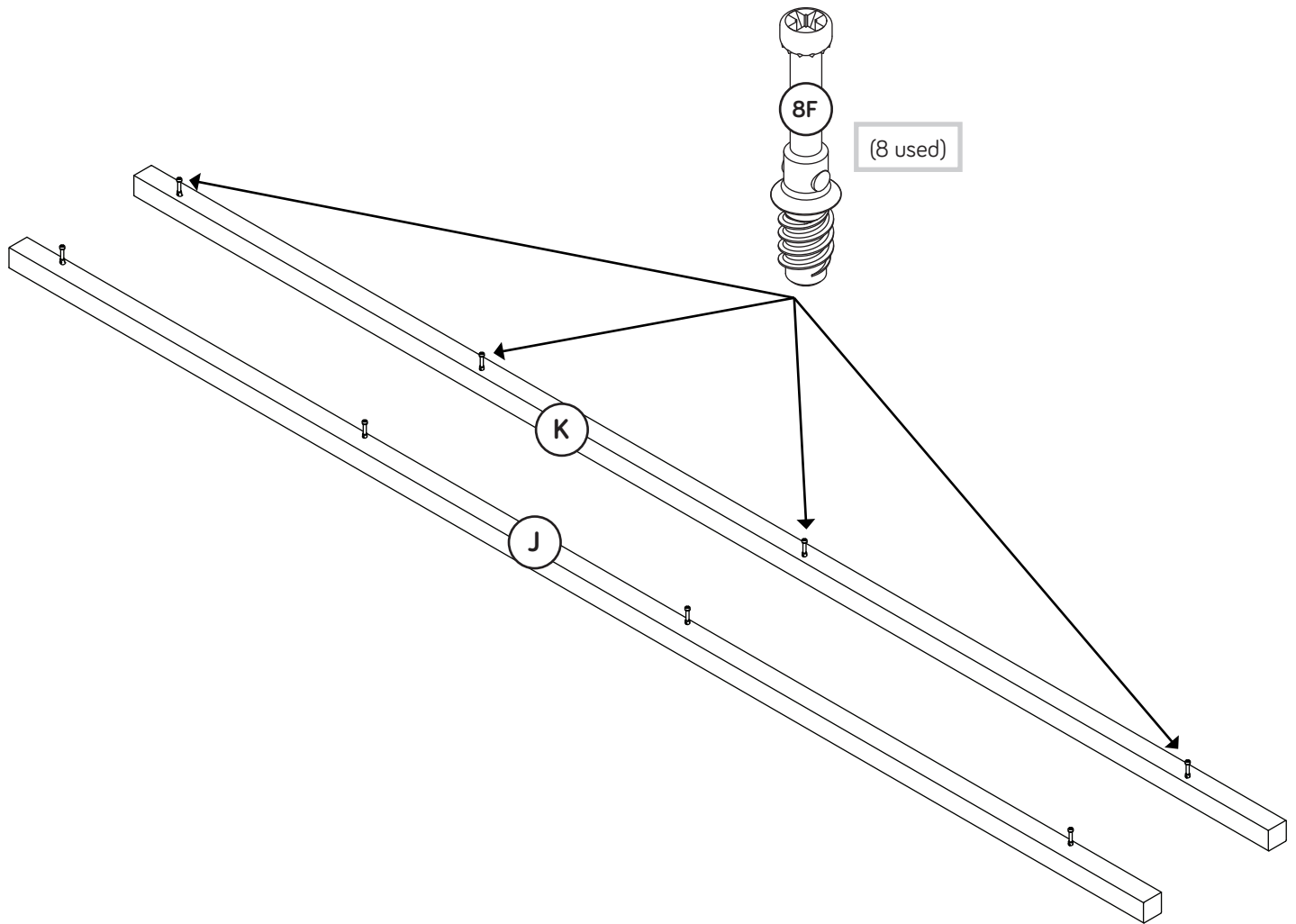
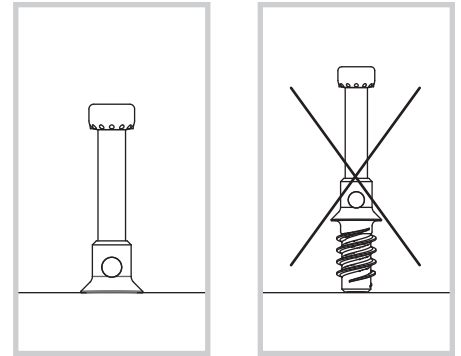


Some assembly
(and snacks) required.



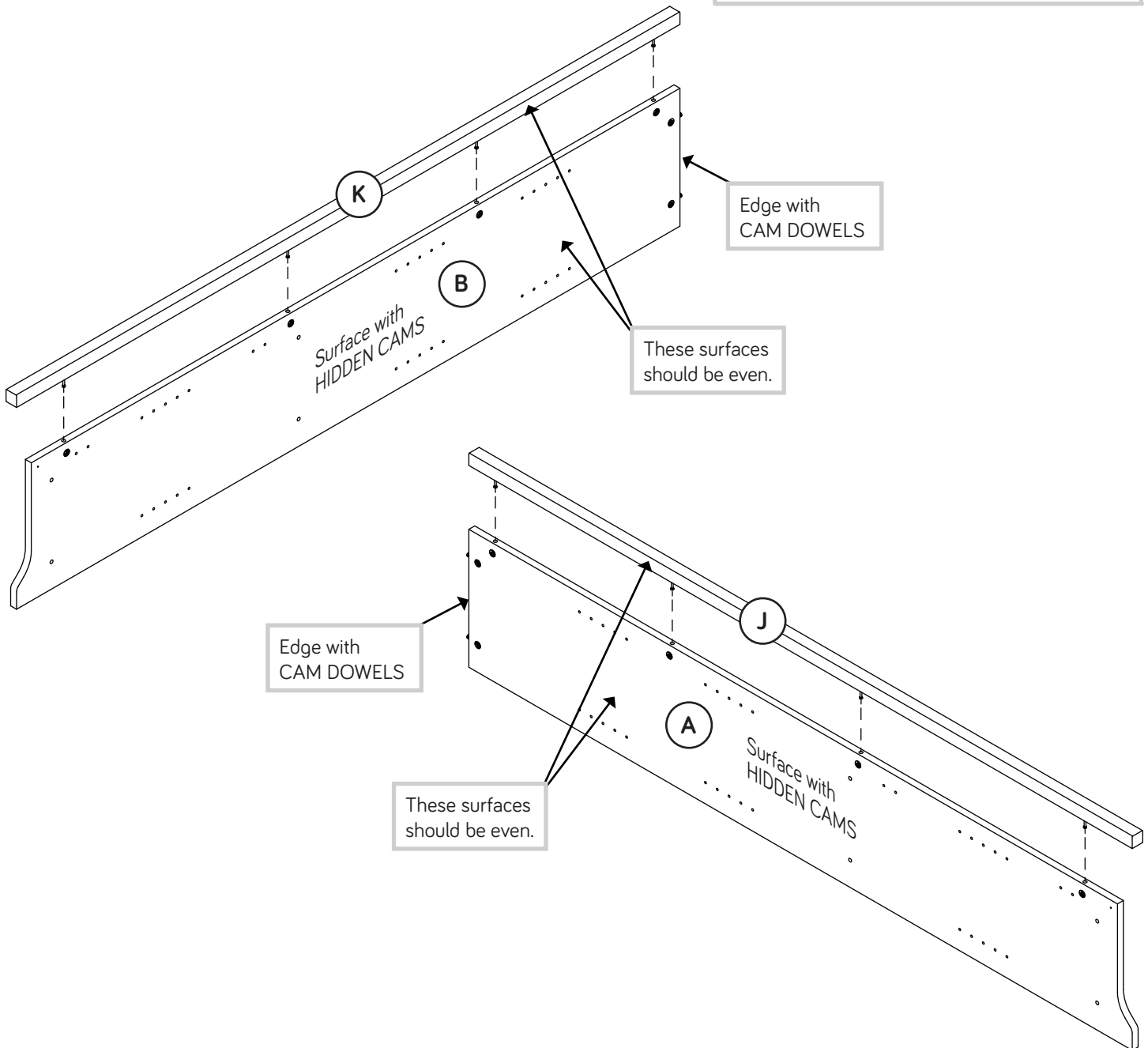
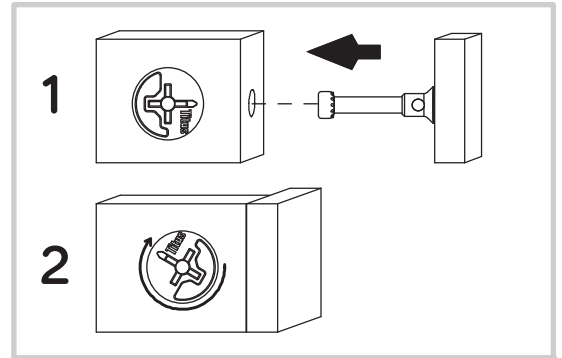
Step 3

Turn eight CAM SCREWS (8F) into the LEGS (J and K).



Step 4

Fasten the LEGS (J and K) to the ENDS (A and B). Tighten eight HIDDEN CAMS.

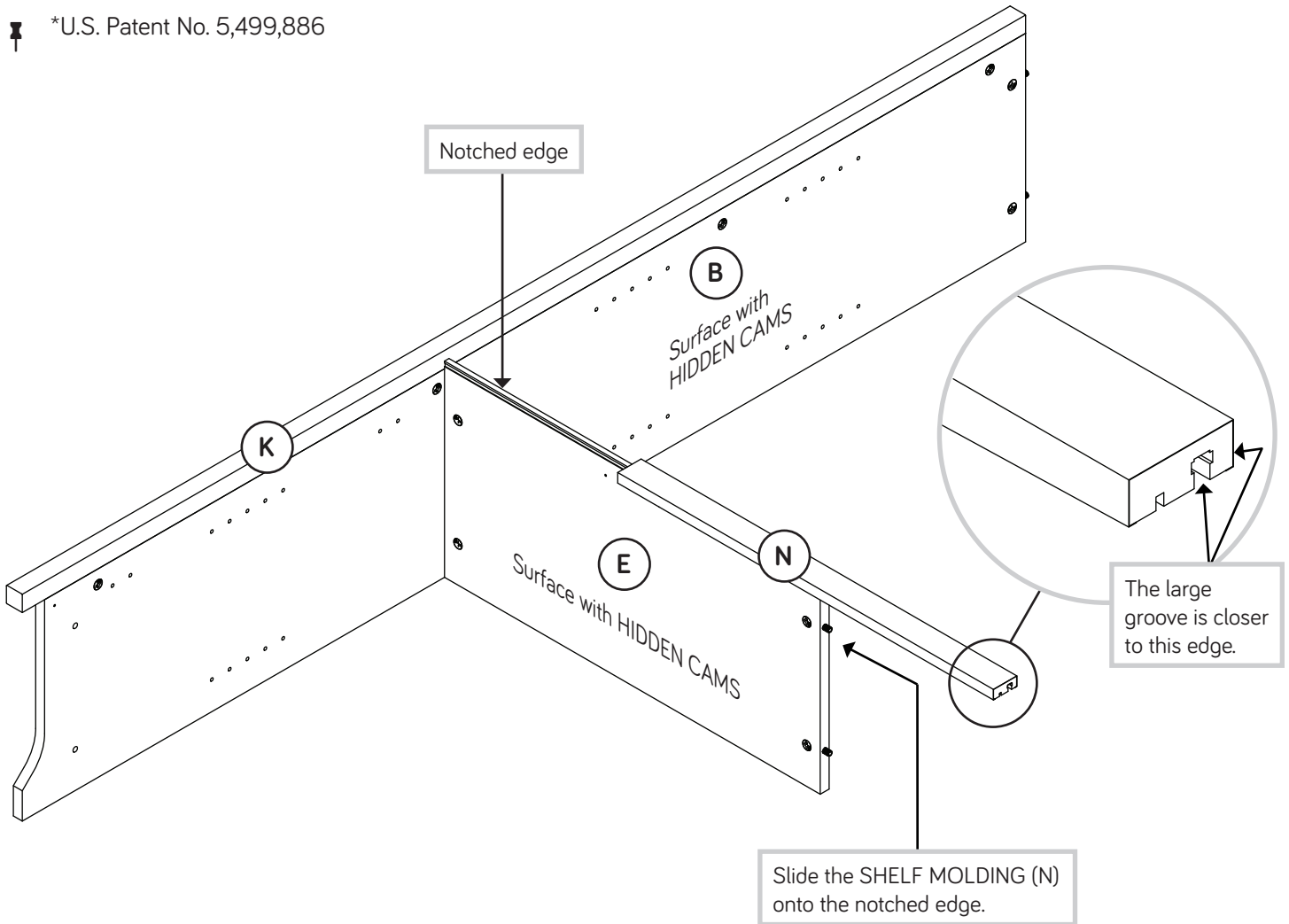


Step 5

- Fasten the SHELF (E) to the LEFT END (B). Tighten two HIDDEN CAMS.
- Slide the SHELF MOLDING (N) onto the notched edge of the SHELF (E).
- *U.S. Patent No. 5,499,886

Caution

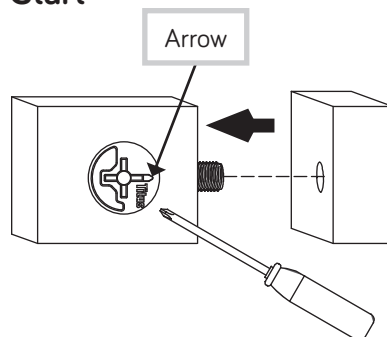
Do not stand the unit upright without the BACK fastened. The unit may collapse.



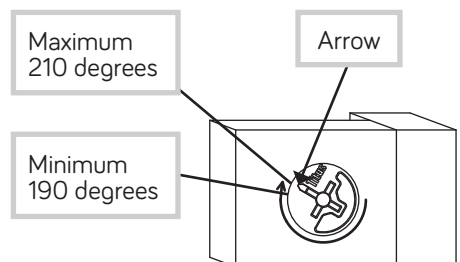
Caution

Risk of damage or injury. HIDDEN CAMS must be completely tightened. HIDDEN CAMS that are not completely tightened may loosen, and parts may separate. To completely tighten:

Start

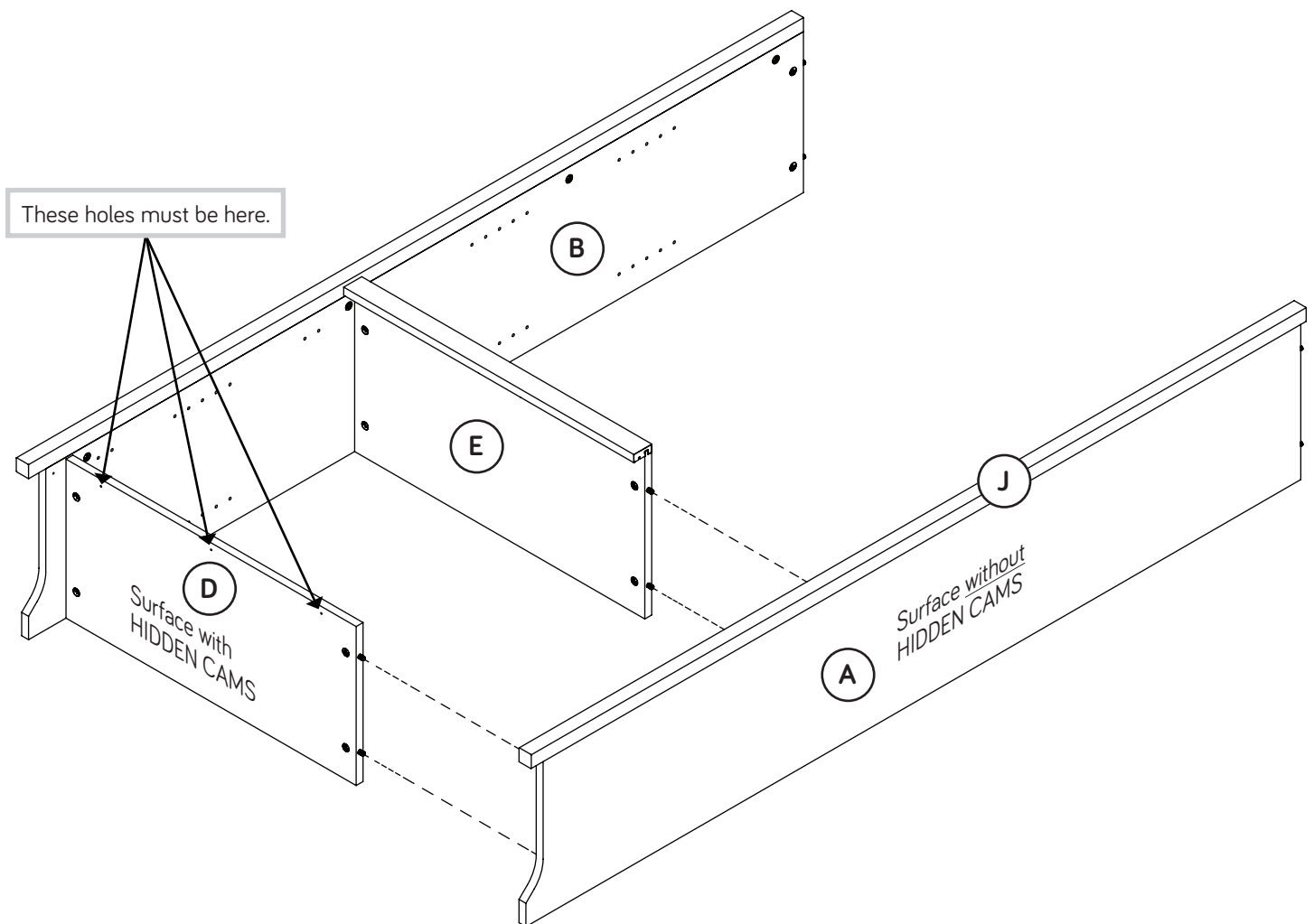
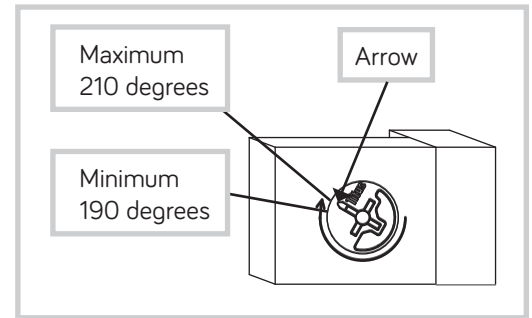


Tighten



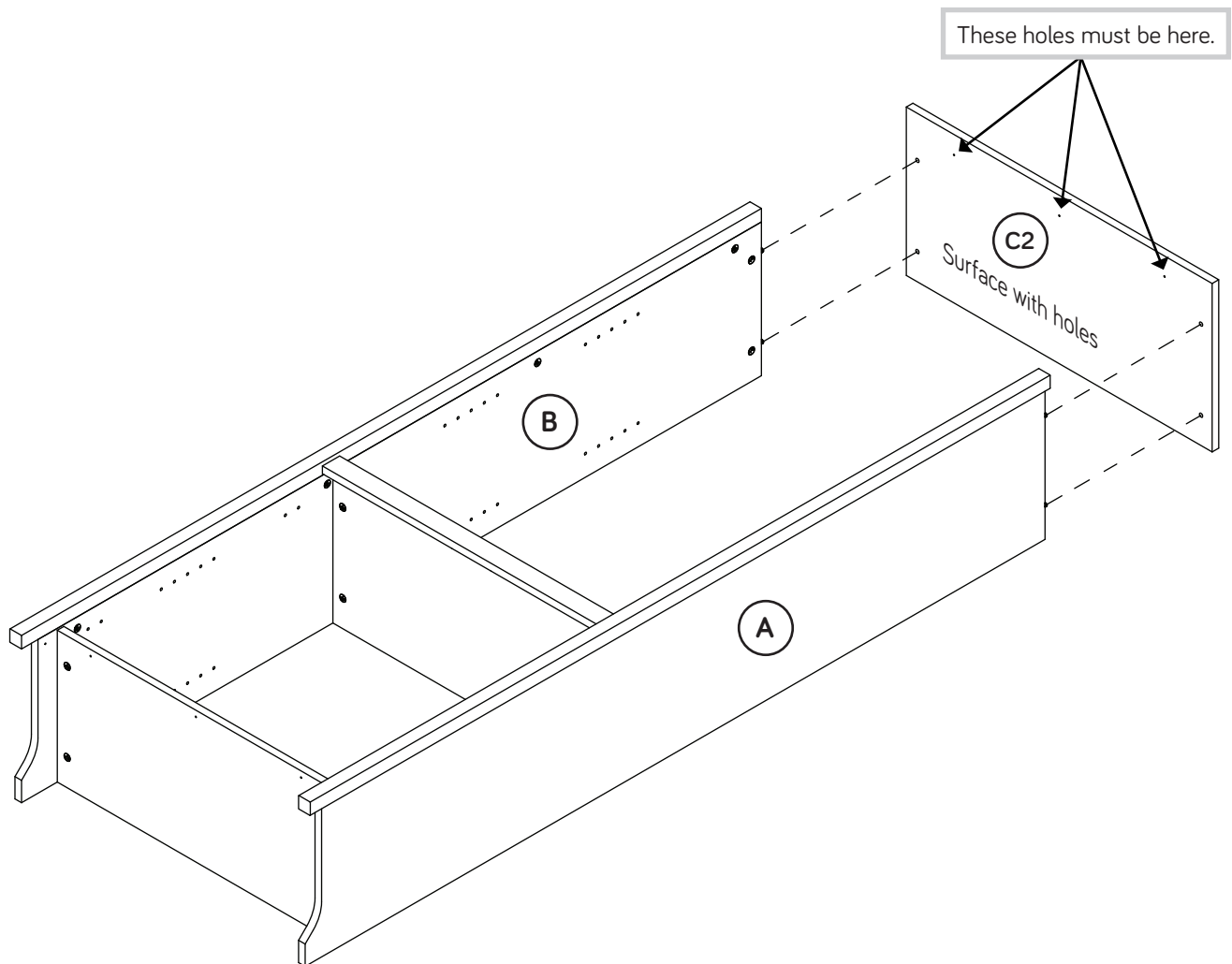
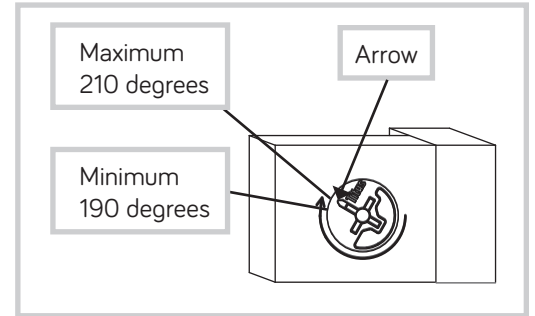
Step 6

- Fasten the **BOTTOM (D)** to the **LEFT END (B)**. Tighten two **HIDDEN CAMS**.
- Fasten the **RIGHT END (A)** to the **BOTTOM (D)** and **SHELF (E)**. Tighten four **HIDDEN CAMS**.



Step 7

- Fasten the TOP (C2) to the ENDS (A and B). Tighten four HIDDEN CAMS.



Step 8

- Fasten three METAL BRACKETS (4G) to the TOP MOLDING (M).
Use three BLACK 9/16" LARGE HEAD SCREWS (1S).
- NOTE:** Be sure the BRACKETS are even with the edges of the TOP MOLDING.



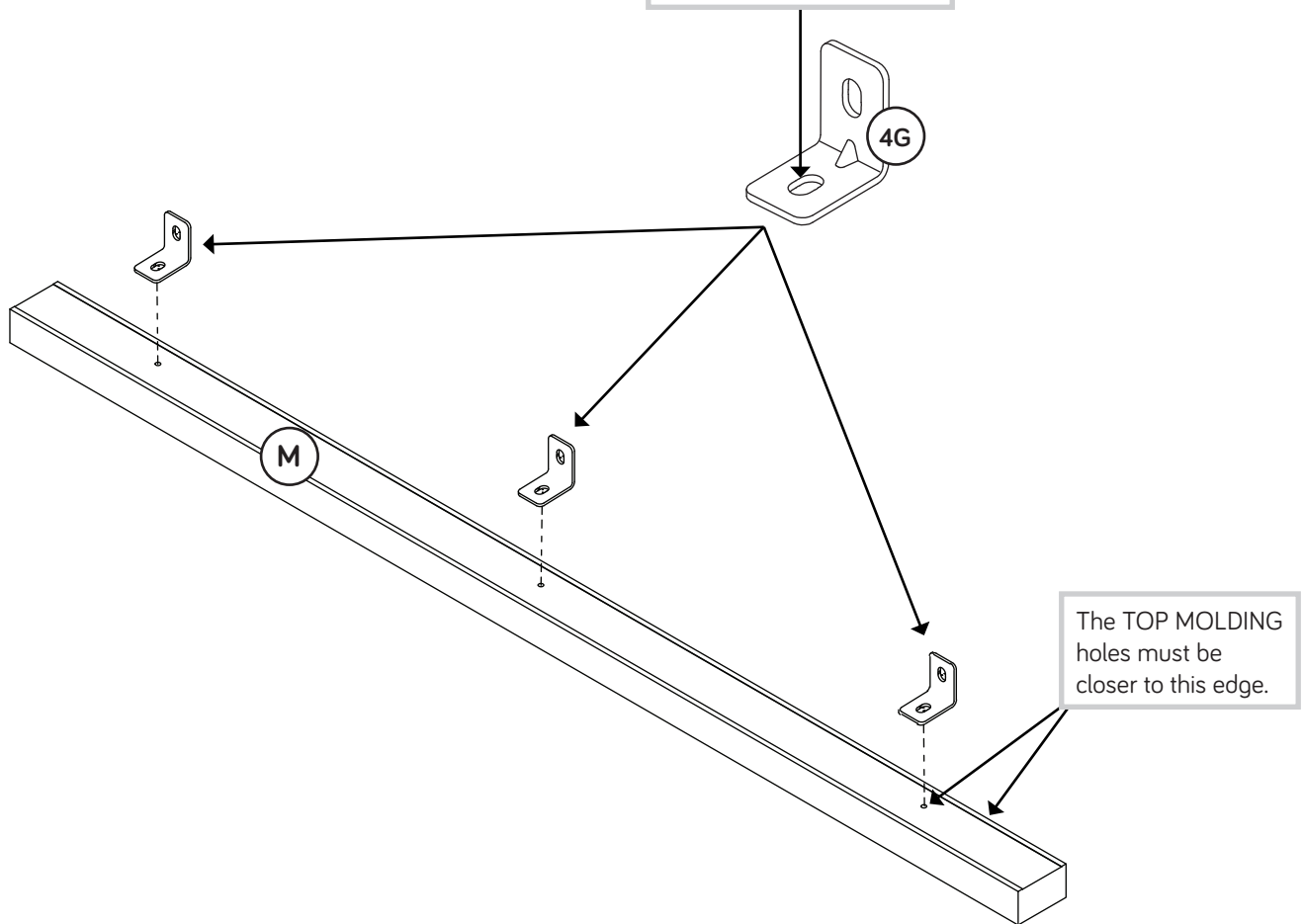
Don't worry. It isn't Rome. This can be built in a day.



1S

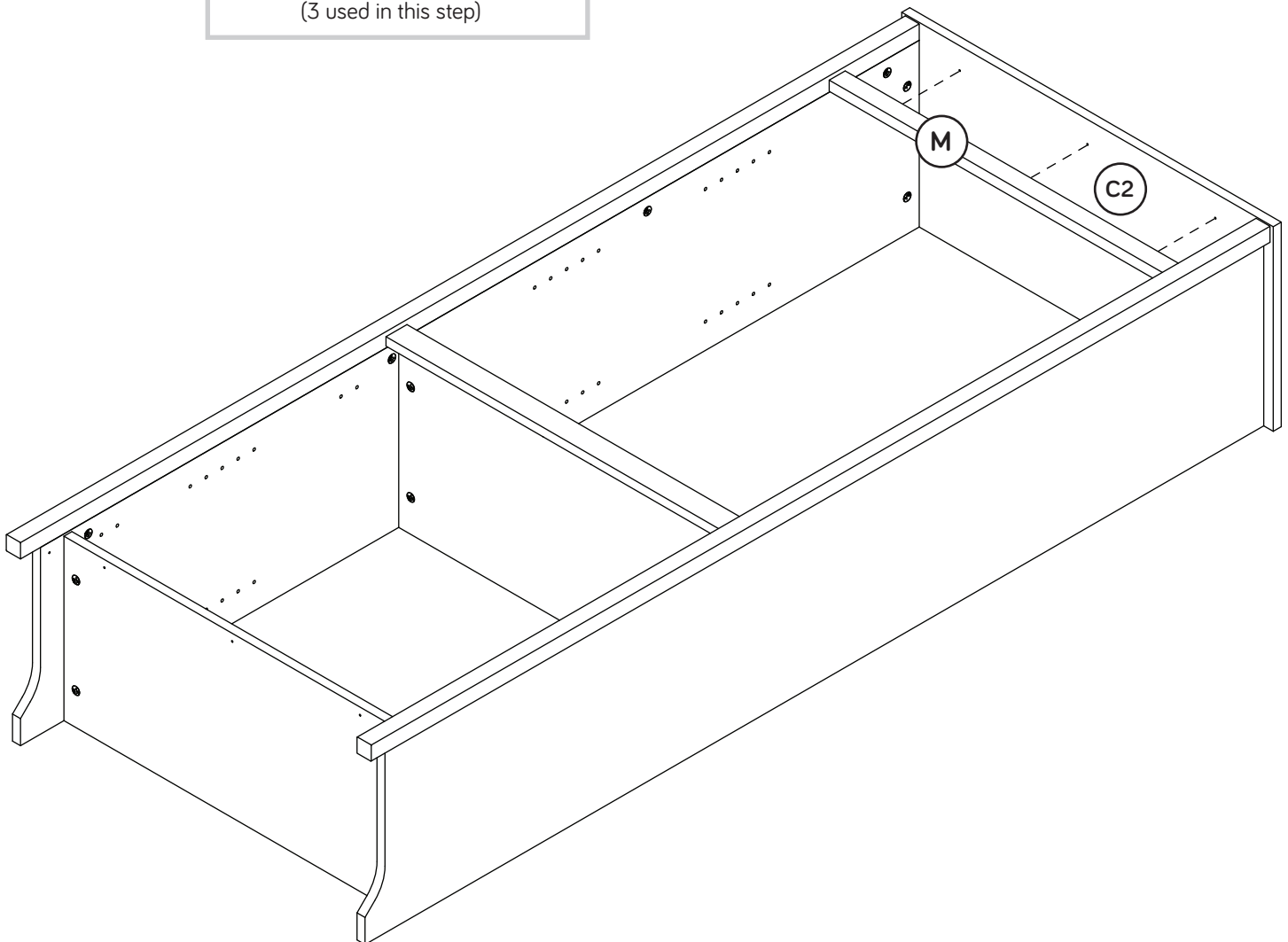
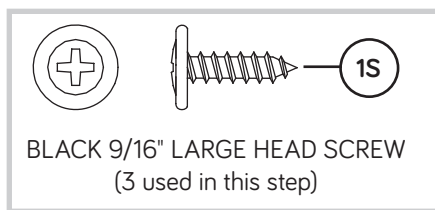
BLACK 9/16" LARGE HEAD SCREW
(3 used in this step)

The TOP MOLDING holes must be centered in this METAL BRACKET hole.



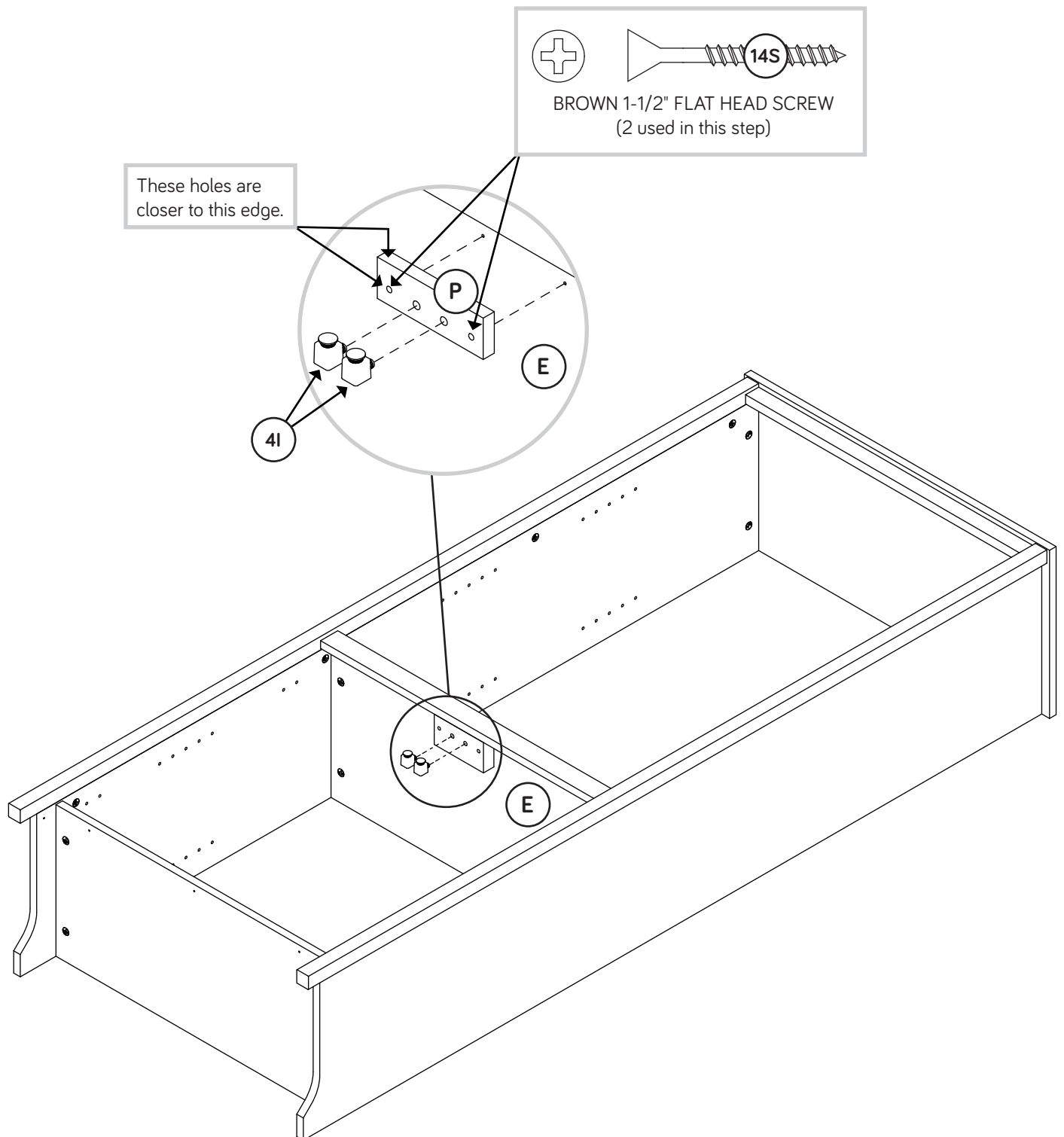
Step 9

- Fasten the TOP MOLDING (M) to the TOP (C2). Use three BLACK 9/16" LARGE HEAD SCREWS (1S) through the METAL BRACKETS on the TOP MOLDING and into the TOP.



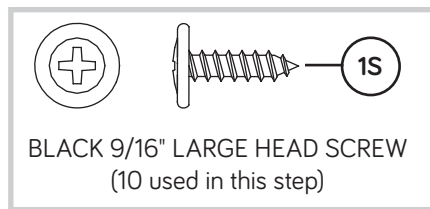
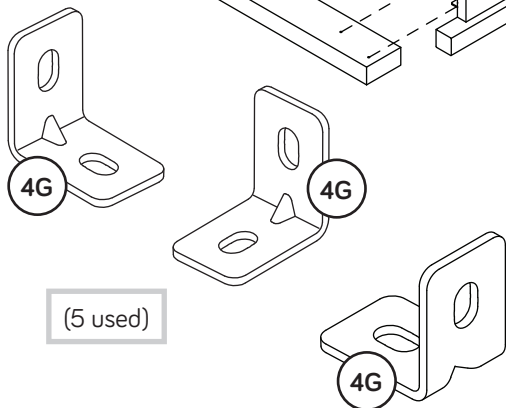
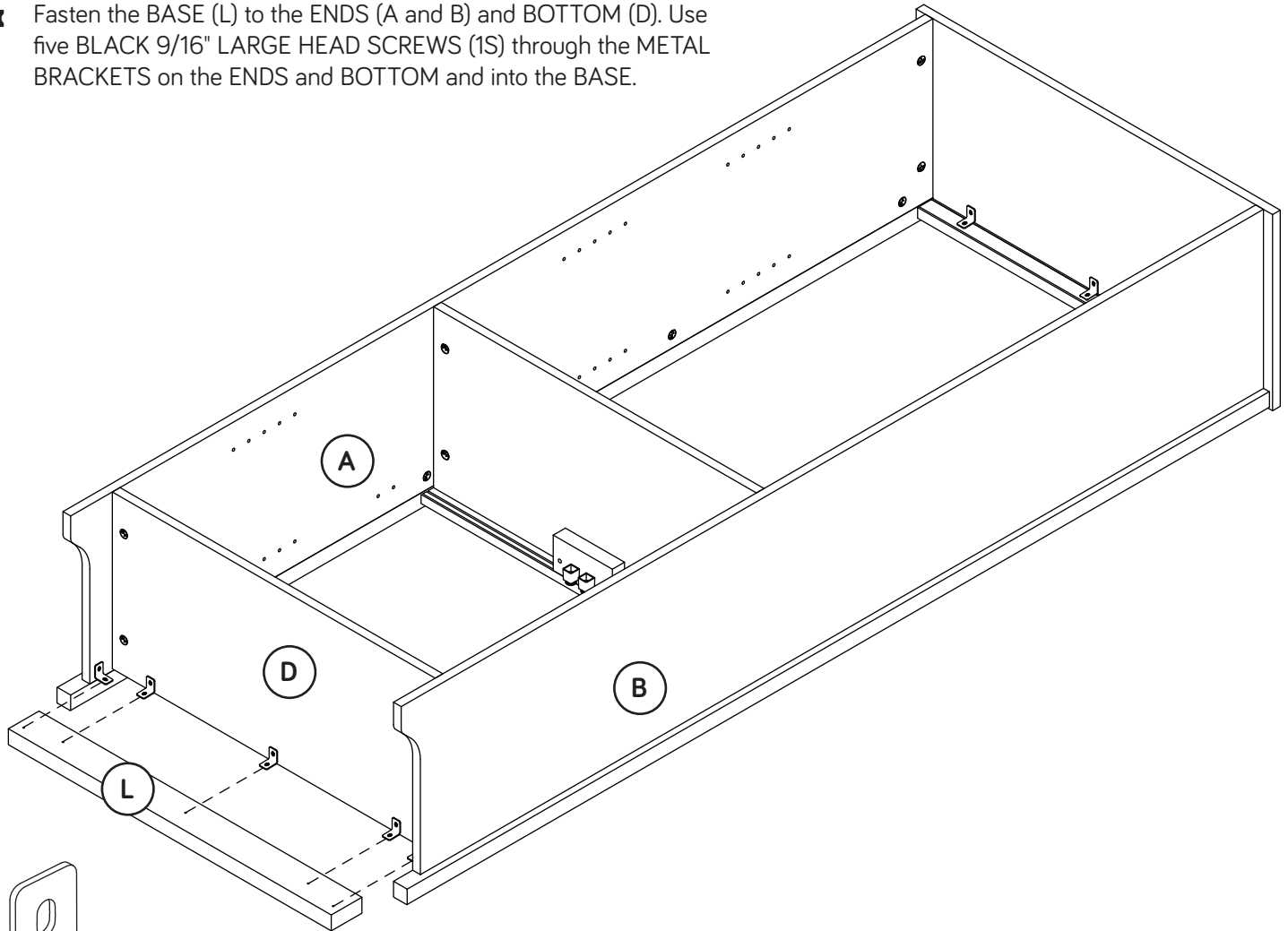
Step 10

- Fasten the SPACER (P) to the SHELF (E). Use two BROWN 1-1/2" FLAT HEAD SCREWS (14S).
- Then, insert two DOOR STOPS (4I) into the center holes in the SPACER (P).



Step 11

- ✚ Carefully turn your unit over onto its front edges.
- ✚ Fasten five METAL BRACKETS (4G) to the ENDS (A and B) and BOTTOM (D). Use five BLACK 9/16" LARGE HEAD SCREWS (1S).
- ✚ NOTE: Be sure the BRACKETS are even with the edges of the ENDS (A and B).
- ✚ Fasten the BASE (L) to the ENDS (A and B) and BOTTOM (D). Use five BLACK 9/16" LARGE HEAD SCREWS (1S) through the METAL BRACKETS on the ENDS and BOTTOM and into the BASE.

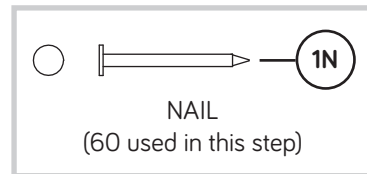


Step 12

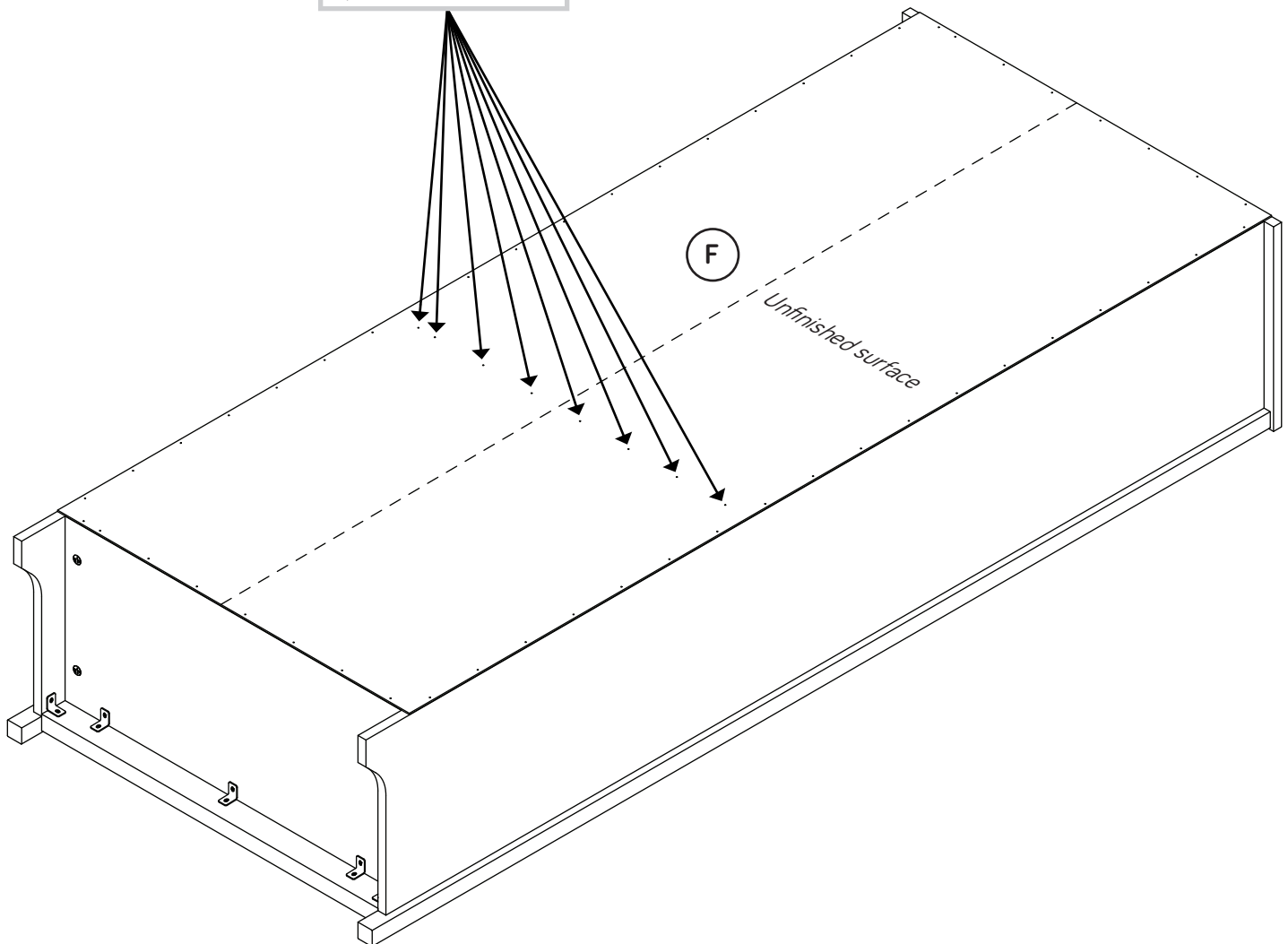
- ✚ Unfold the BACK (F) and lay it over your unit.
- ✚ Make equal margins along all four edges of the BACK (F). Push on opposite corners of your unit if needed to make it "square".
- ✚ Fasten the BACK (F) to your unit using the NAILS (1N).
- ✚ NOTE: Be sure to tap NAILS into the holes that line up over the SHELF (E).



Do not stand the unit upright without the BACK fastened. The unit may collapse.

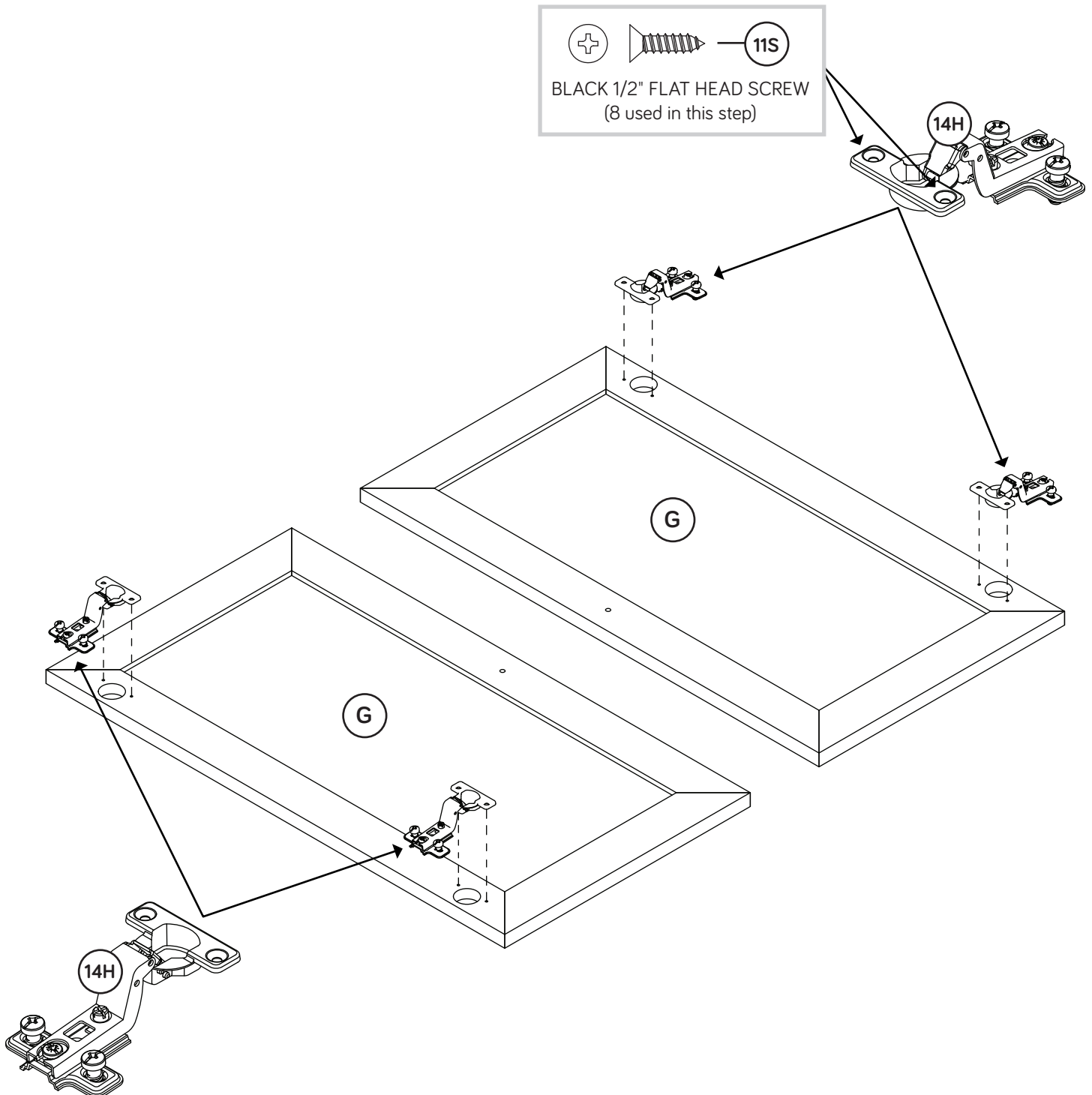


These holes must line up over the SHELF (E).



Step 13

- Fasten four HINGES (14H) to the DOORS (G). Use eight BLACK 1/2" FLAT HEAD SCREWS (11S).

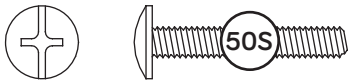
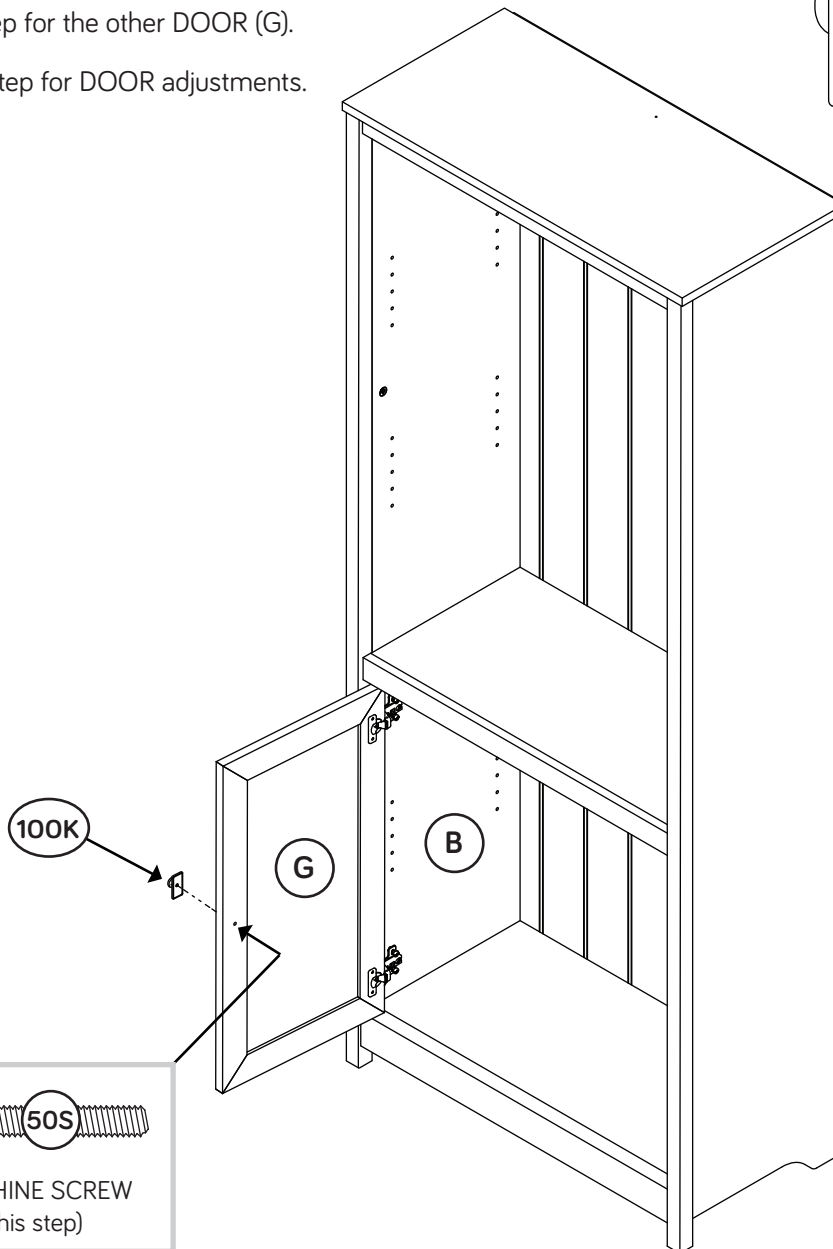
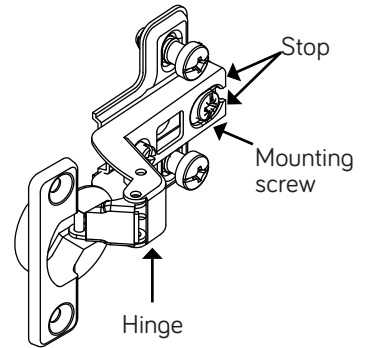


Step 14

- ⚠ Carefully stand your unit upright.
- ⚠ Before fastening the DOOR to your unit, be sure the mounting screw is against the stops as shown in the right diagram. If it isn't, loosen the mounting screw to slide it against the stops. Then tighten the mounting screw.
- ⚠ Fasten one of the DOORS (G) to the LEFT END (B) as shown in the lower diagram. Use the screws in the HINGES. You should start each SCREW a few turns before completely tightening any of them.
- ⚠ Fasten a KNOB SET (100K) to the DOOR (G). Use a GOLD 1" MACHINE SCREW (50S).
- ⚠ Repeat this step for the other DOOR (G).
- ⚠ See the next step for DOOR adjustments.



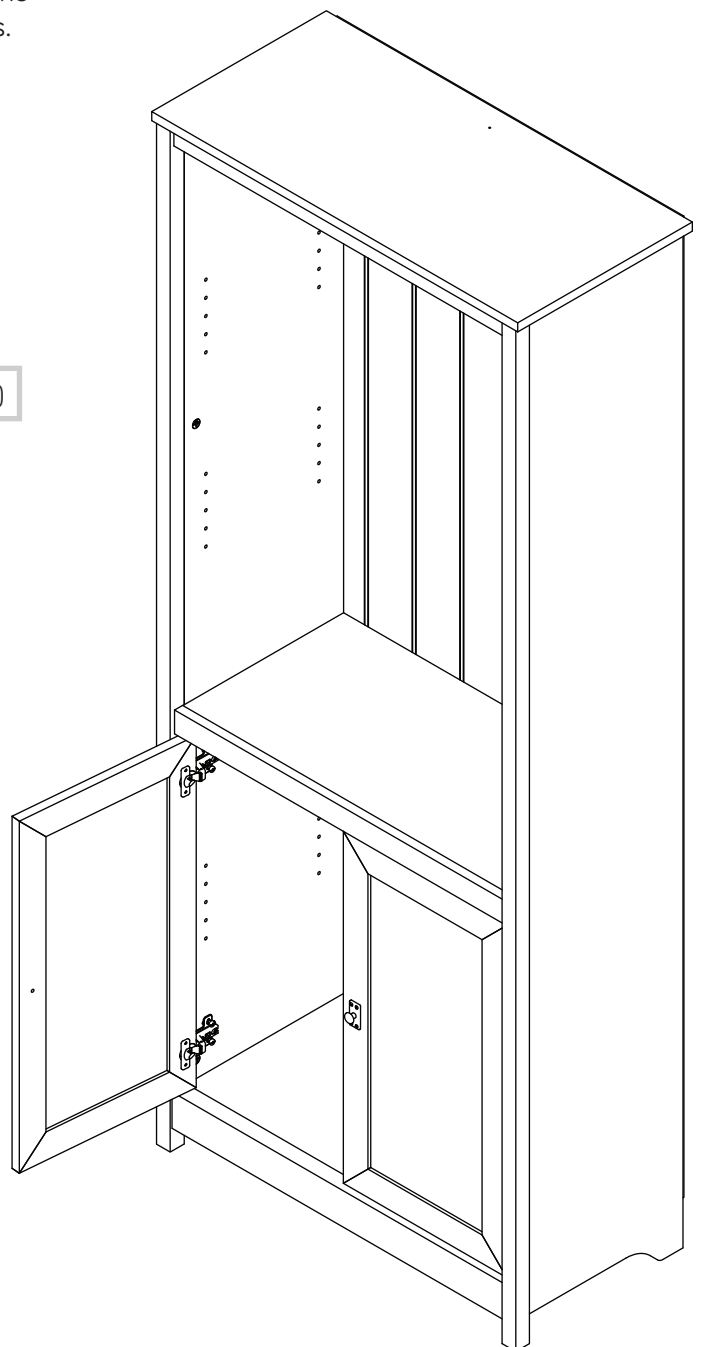
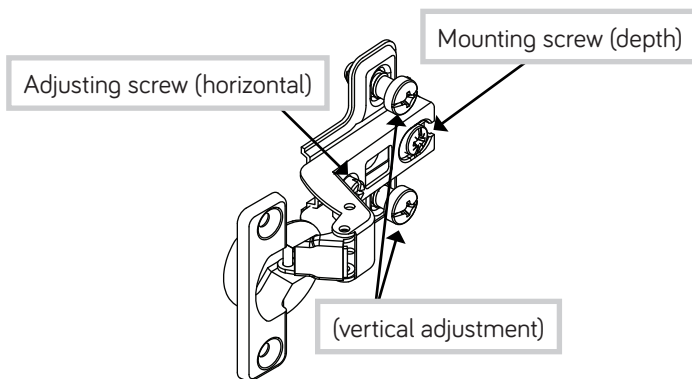
Pro Tip: Lift with your legs. And, you know, your arms.



GOLD 1" MACHINE SCREW
(2 used in this step)

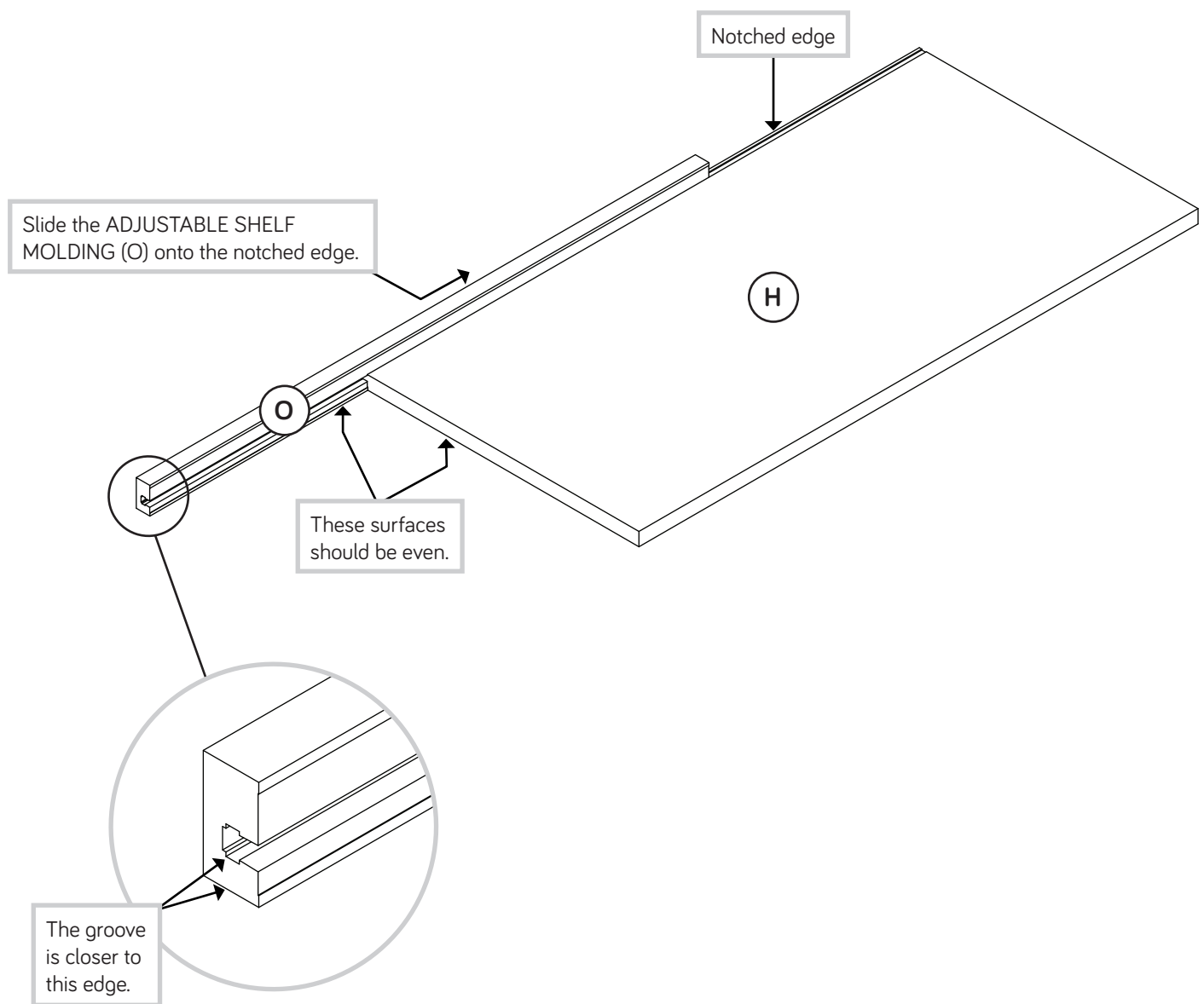
Step 15

- ✦ Refer to the enlarged diagram to identify the parts on the HINGES.
- ✦ The DOORS may need some adjustments. Follow the text below to make needed adjustments.
- ✦ DOOR ADJUSTMENTS:
 - To adjust the DOORS from side to side (horizontal), turn the adjusting screw in or out.
 - To adjust the DOORS up and down (vertical), loosen both vertical adjustment screws. Move the DOORS up or down to the desired location. Tighten the screws after making adjustments.
 - To adjust the DOORS in or out (depth), loosen the mounting screw one turn and move the DOORS in or out, as needed. Tighten the mounting screw after making adjustments.



Step 16

- Slide an ADJUSTABLE SHELF MOLDING* (O) onto the notched edge of an ADJUSTABLE SHELF (H).
- Repeat this step for the other ADJUSTABLE SHELF (H).
- *U.S. Patent No. 5,499,886

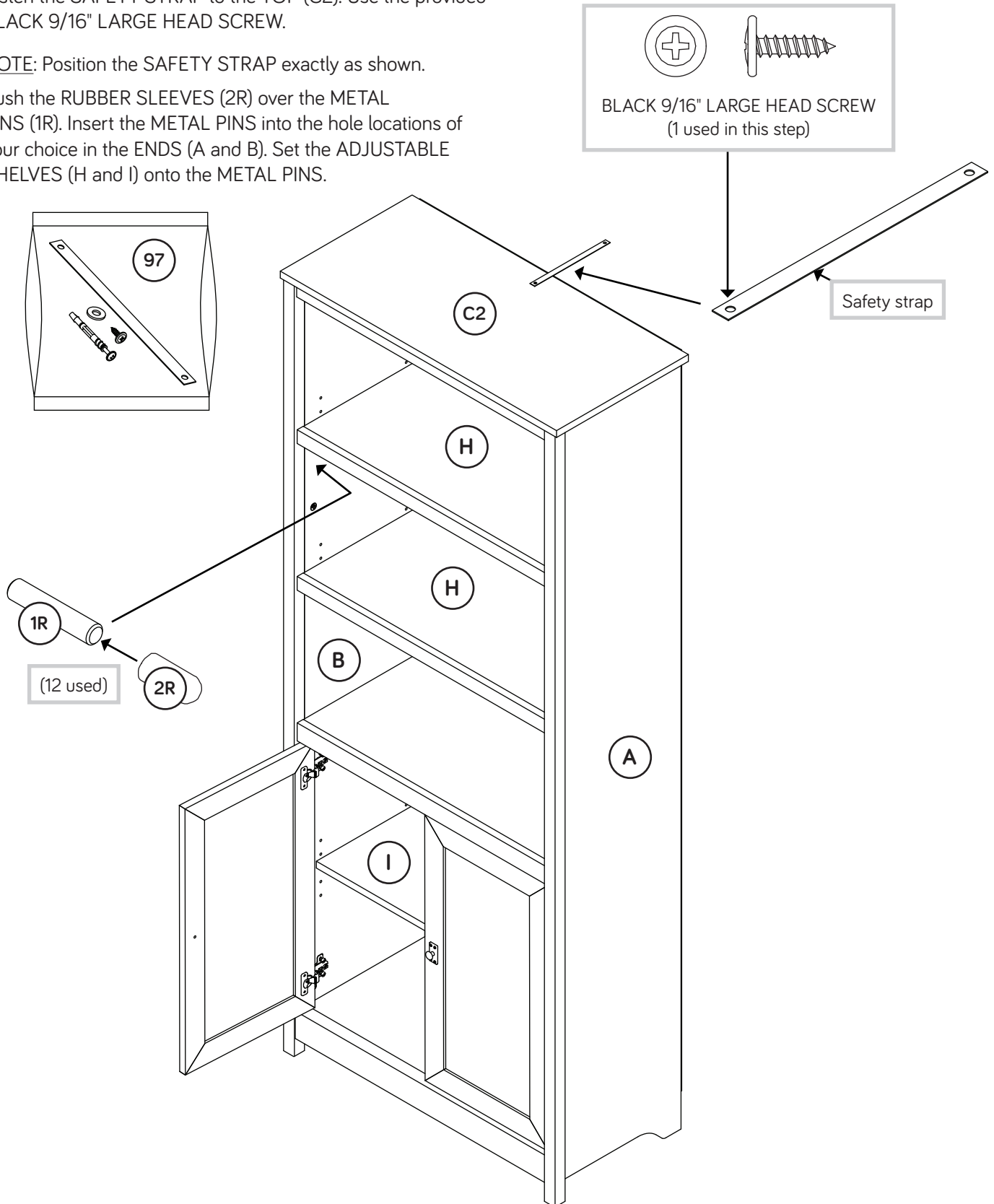


Step 17

✚ Open the FURNITURE TIPPING RESTRAINT KIT (97) and fasten the SAFETY STRAP to the TOP (C2). Use the provided BLACK 9/16" LARGE HEAD SCREW.

✚ **NOTE:** Position the SAFETY STRAP exactly as shown.

✚ Push the RUBBER SLEEVES (2R) over the METAL PINS (1R). Insert the METAL PINS into the hole locations of your choice in the ENDS (A and B). Set the ADJUSTABLE SHELVES (H and I) onto the METAL PINS.



Step 18

IMPORTANT: The unit must be placed against a wall.

NOTE: Do not turn the SAFETY DRYWALL ANCHOR into a wall stud. If you prefer to fasten the SAFETY STRAP to a wall stud, go to your local hardware store for proper hardware.

INSTALLATION INSTRUCTIONS:

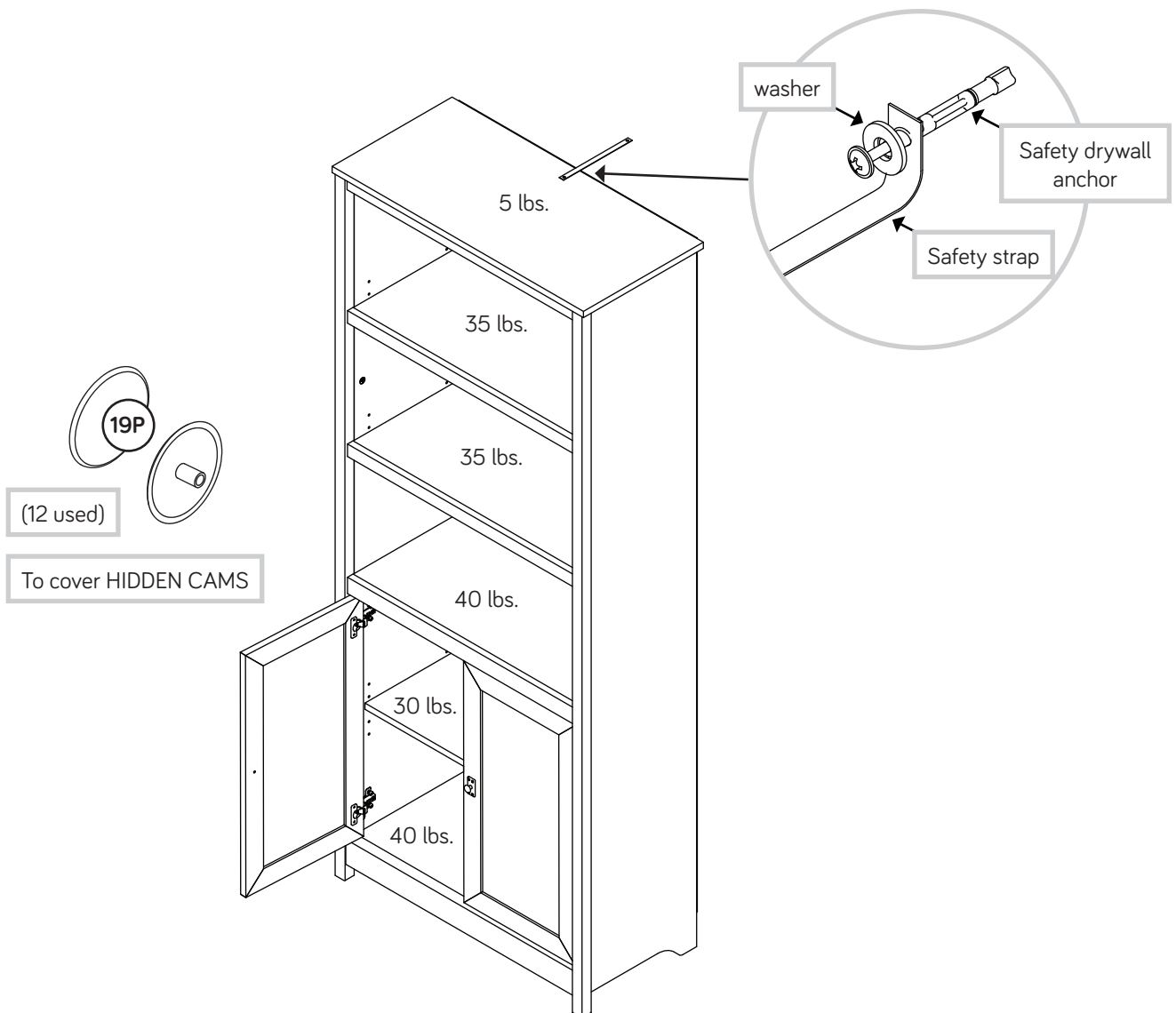
1. Insert the SAFETY DRYWALL ANCHOR through the WASHER and the end of the SAFETY STRAP.
2. Using a Phillips screwdriver or a hand drill, press the screw slightly onto the drywall.
3. Apply pressure; turn the screw until a pilot hole is made and the nylon sheath slips through.
4. Turn the screw until it is flush against the wall and you feel a firm resistance.
5. Continue to turn until the screw starts spinning freely.

NOTE: Before moving your unit to a different location, unscrew the SAFETY DRYWALL ANCHOR from your wall. The nylon sheath will remain behind your wall.

Using your hammer, gently tap a CAM COVER (19P) onto each visible HIDDEN CAM.

NOTE: Please read the back pages of the instruction booklet for important safety information.

This completes assembly. Clean with your favorite furniture polish or a damp cloth. Wipe dry.



⚠ WARNING

Please use your furniture correctly and safely. Improper use can cause safety hazards, or damage to your furniture or household items. **Carefully read the following chart.**

Look out for:	What can happen:	How to avoid the problem:
<ul style="list-style-type: none">• Overloaded shelves.• Improper loading can cause the product to be top-heavy.	<ul style="list-style-type: none">• Risk of injury.• Top-heavy furniture can tip over.• Overloaded shelves can break.	<ul style="list-style-type: none">• Never exceed the weight limits shown in the instructions.• Work from bottom to top when loading shelves. Place the heavier items on the lower shelves.
<ul style="list-style-type: none">• Improperly moving furniture that is not designed and equipped with casters.	<ul style="list-style-type: none">• Furniture can tip over or break if improperly moved.• Physical injury. Furniture can be very heavy.	<ul style="list-style-type: none">• Unload shelves from top to bottom before moving the furniture.• Do not push furniture, especially on a carpeted floor. Have a friend help you lift the item and set it in place.• This unit must be positioned against a wall.
<ul style="list-style-type: none">• Children climbing on the shelves can cause the product to tip.	<ul style="list-style-type: none">• Risk of injury or death.	<ul style="list-style-type: none">• Do not allow children to climb on the shelves. Avoid placing items like toys or candy on upper shelves.• Use the supplied tipping restraint kit for added stability.
<ul style="list-style-type: none">• Placing TVs on furniture items that are not designed to support a television is hazardous.	<ul style="list-style-type: none">• Risk of injury or death. TVs can be very heavy. Plus the weight and location of the picture tube tends to make TVs unbalanced and prone to tipping forward.	<ul style="list-style-type: none">• This product is not designed to support a television.