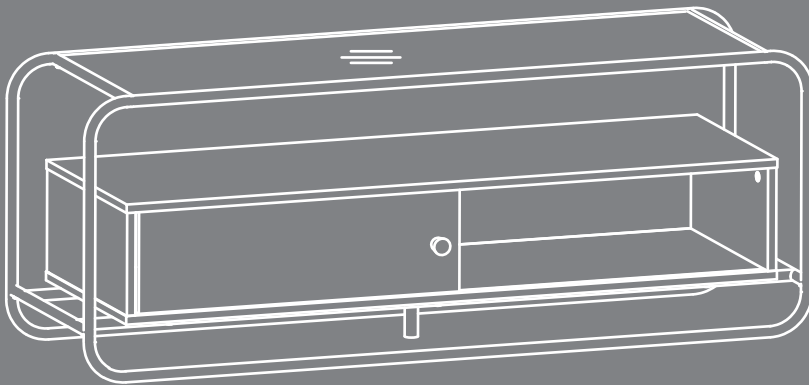


[www.teknikoffice.co.uk](http://www.teknikoffice.co.uk)

**Teknik**



It **stands**. You **sit**.  
A thing of beauty,  
this one.

# TV Stand

Metro Collection | **Model 5426461**

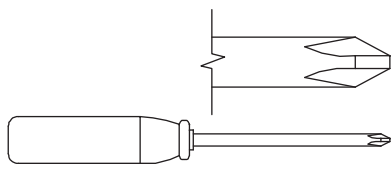
**NOTE:** THIS INSTRUCTION BOOKLET CONTAINS **IMPORTANT** SAFETY INFORMATION.

PLEASE READ AND KEEP FOR FUTURE REFERENCE.

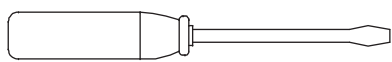
# Table of Contents

# Assembly Tools Required

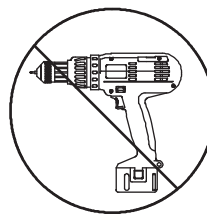
Part Identification	3
Hardware Identification	4
Assembly Steps	5-14
Safety	15



No. 2 Phillips Screwdriver  
Tip Shown Actual Size



Straight Edge Screwdriver

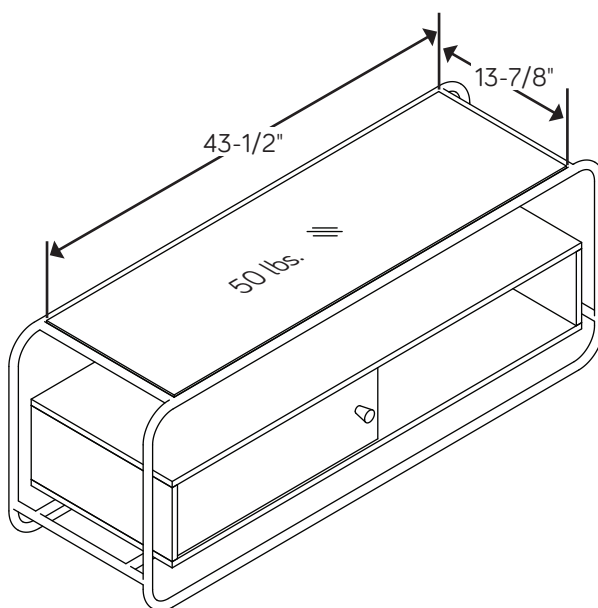


Skip the power trip.  
This time.

## ⚠ WARNING

Use of a TV that is too heavy or large is hazardous. A TV that is too heavy will create a risk of a tip-over that can cause severe injury or death. A TV that is too large for the available space might be accidentally pushed or bumped off the furniture, or subject to tip-over.

- Check the size and weight of your TV. Compare it to the diagram below – **before you begin assembly!**
- This Sauder unit is designed for use with flat panel televisions weighing less than 50 pounds. **Never** use with a TV that weighs more.
- The size of the television, front-to-back and side-to-side, must fit within the space defined in the diagram.
  - **Never** place the front edge of the TV past the front edge of the TV support shelf (or stop molding – if equipped)
  - **Never** allow the sides of the TV to extend past the side edges of the TV support surface.
- Be sure to apply the warning label as instructed later in the assembly. The label provides important safety related information.



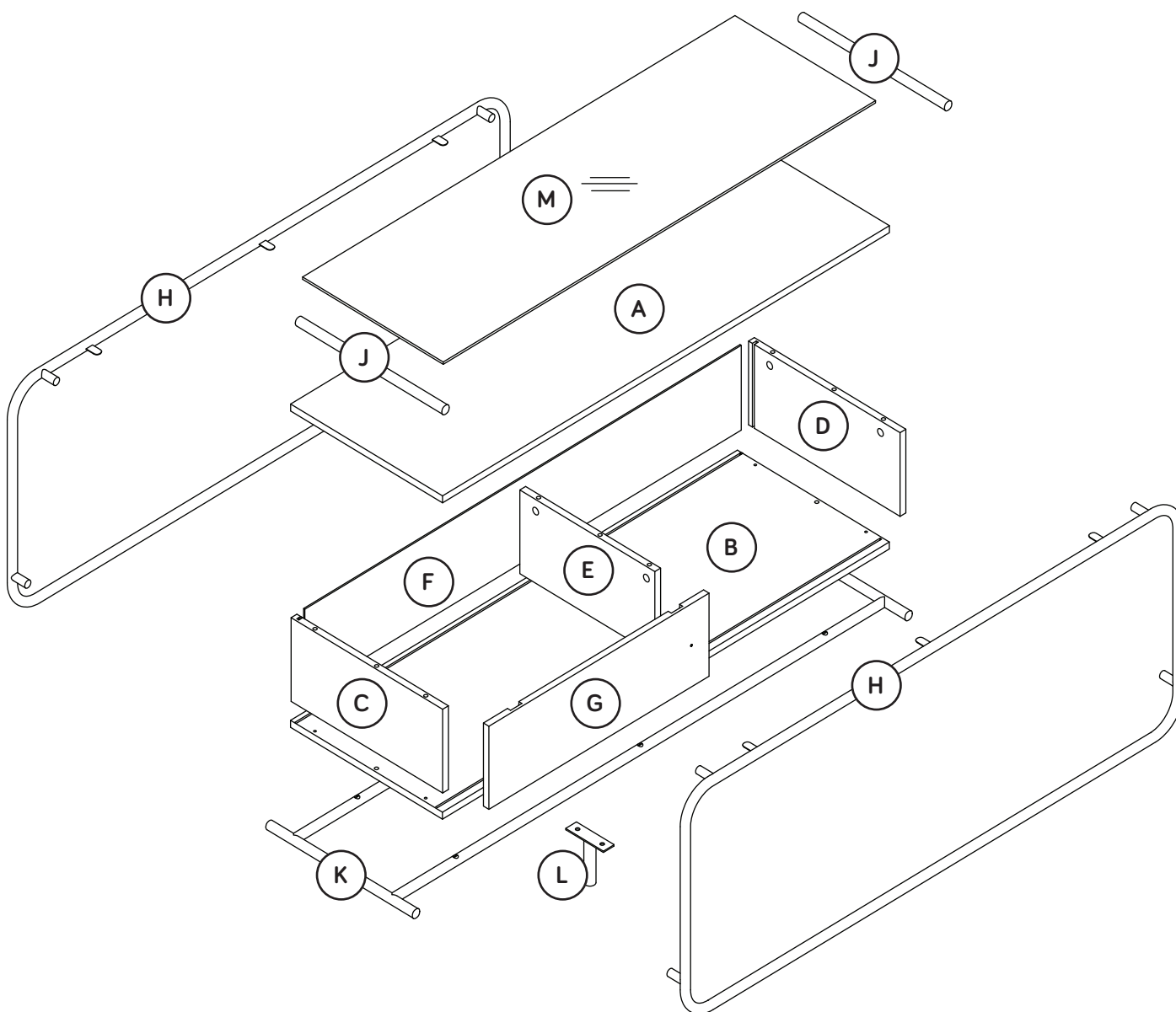
# Part Identification

Now you know  
our ABCs.



⚠ While not all parts are labeled, some of the parts will have a label or an inked letter on the edge to help distinguish similar parts from each other. Use this part identification to help identify similar parts.

A	SHELF (1)	E	UPRIGHT (1)	J	TUBE (2)
B	BOTTOM (1)	F	BACK (1)	K	BASE (1)
C	LEFT END (1)	G	SLIDING DOOR (1)	L	FOOT (1)
D	RIGHT END (1)	H	FRAME (2)	M	GLASS TOP (1)



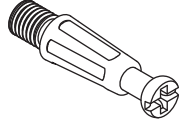
# Hardware Identification

† Screws are shown actual size. You may receive extra hardware with your unit.

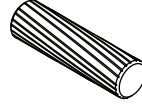
1 HIDDEN CAM - 6



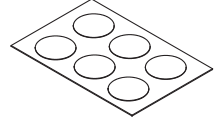
2 CAM SCREW - 6



3 WOOD DOWEL - 6



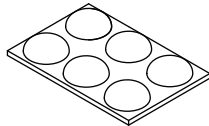
4 APPLIQUE CARD - 1



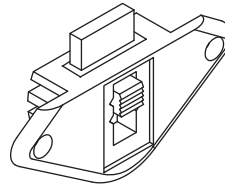
5 KNOB - 1



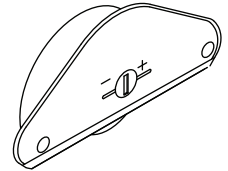
6 BUMPER CARD - 1



7 UPPER GUIDE - 2



8 LOWER GUIDE - 2

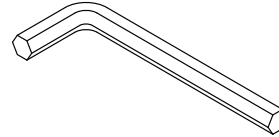


9 WARNING LABEL - 1

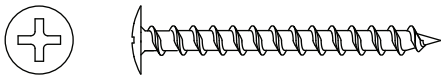


(Refer to the last step for proper location and application)

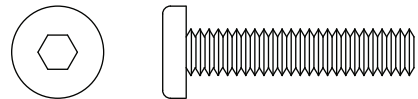
10 L-WRENCH - 1



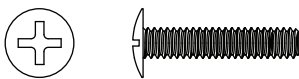
11 1-9/16" PAN HEAD SCREW - 6



12 1-3/16" HEX HEAD SCREW - 6



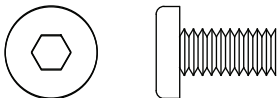
13 13/16" MACHINE SCREW - 1



14 1/2" FLAT HEAD SCREW - 8

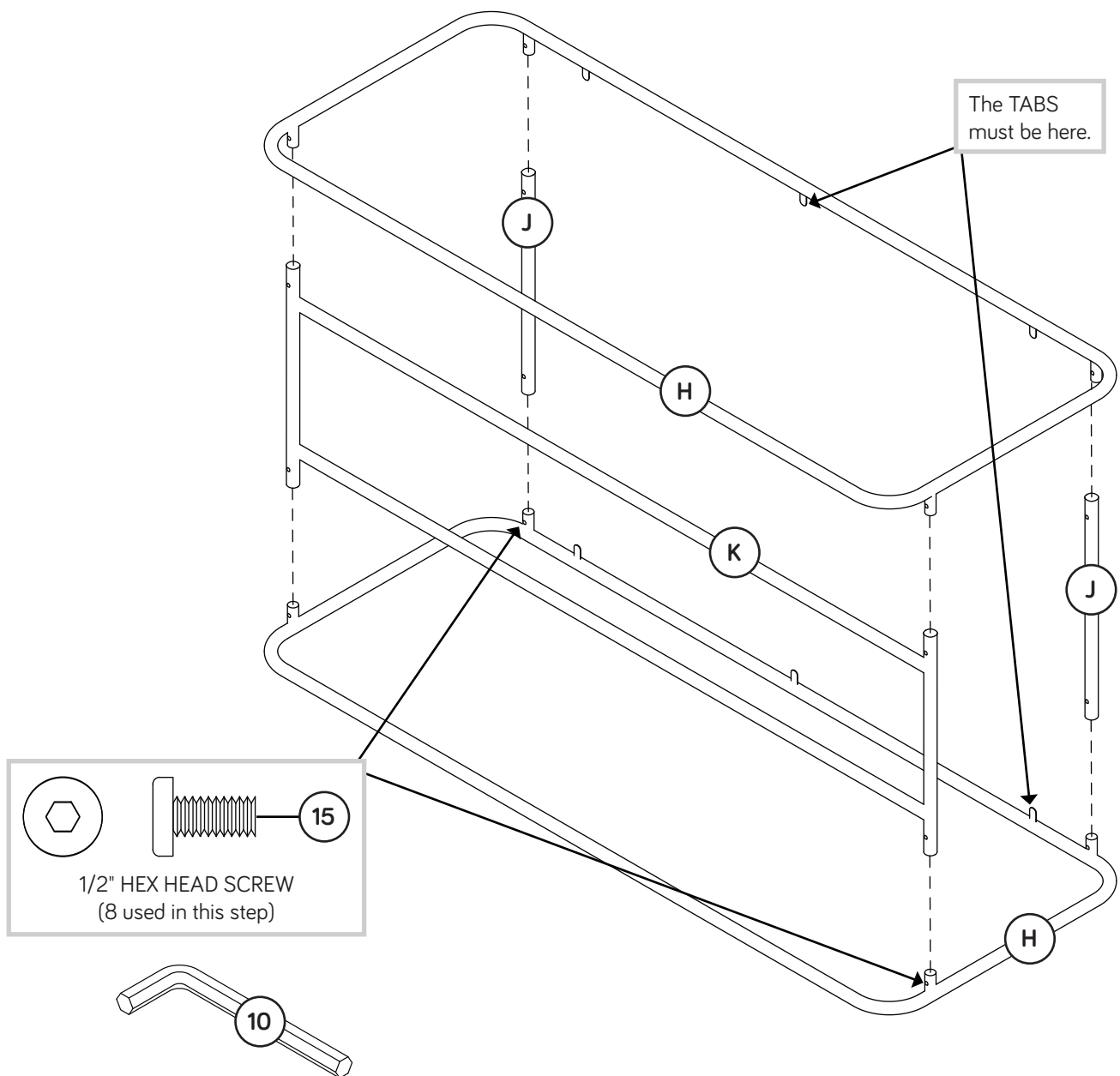


15 1/2" HEX HEAD SCREW - 10



# Step 1

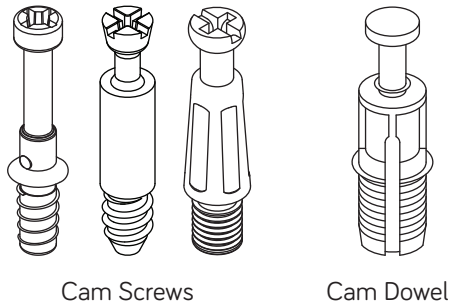
- ✚ Assemble your unit on a carpeted floor or on the empty carton to avoid scratching your unit or the floor.
- ✚ Fasten the TUBES (J) and BASE (K) to one of the FRAMES (H). Tighten four 1/2" HEX HEAD SCREWS (15) using the L-WRENCH (10).
- ✚ Fasten the other FRAME (H) to the TUBES (J) and BASE (K). Tighten four 1/2" HEX HEAD SCREWS (15) using the L-WRENCH (10).



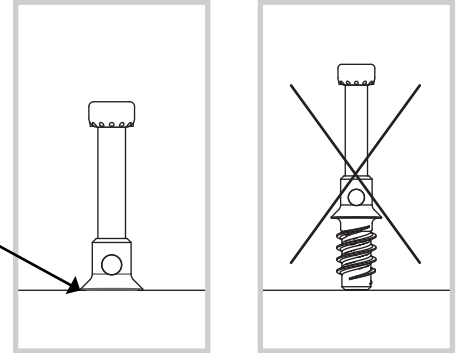
# Hardware Usage Guide

## HOW TO USE A HIDDEN CAM & CAM SCREW OR CAM DOWEL

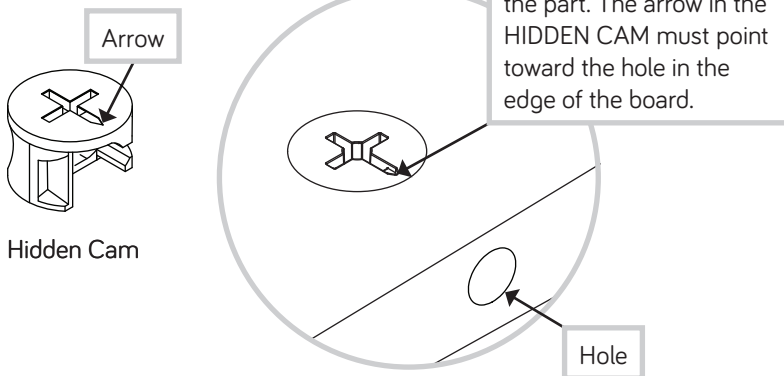
1. NOTE: Various CAM SCREWS or a CAM DOWEL may be used.



Turn the CAM SCREW or gently tap the CAM DOWEL until the shoulder is against the surface of the part.

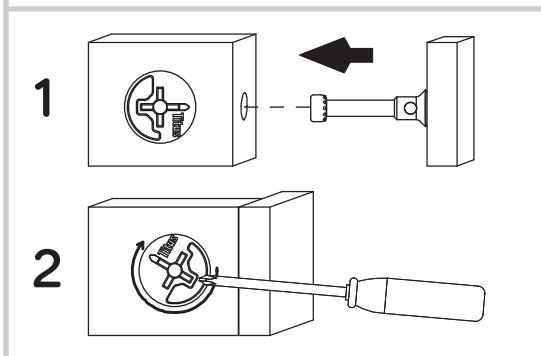


2.



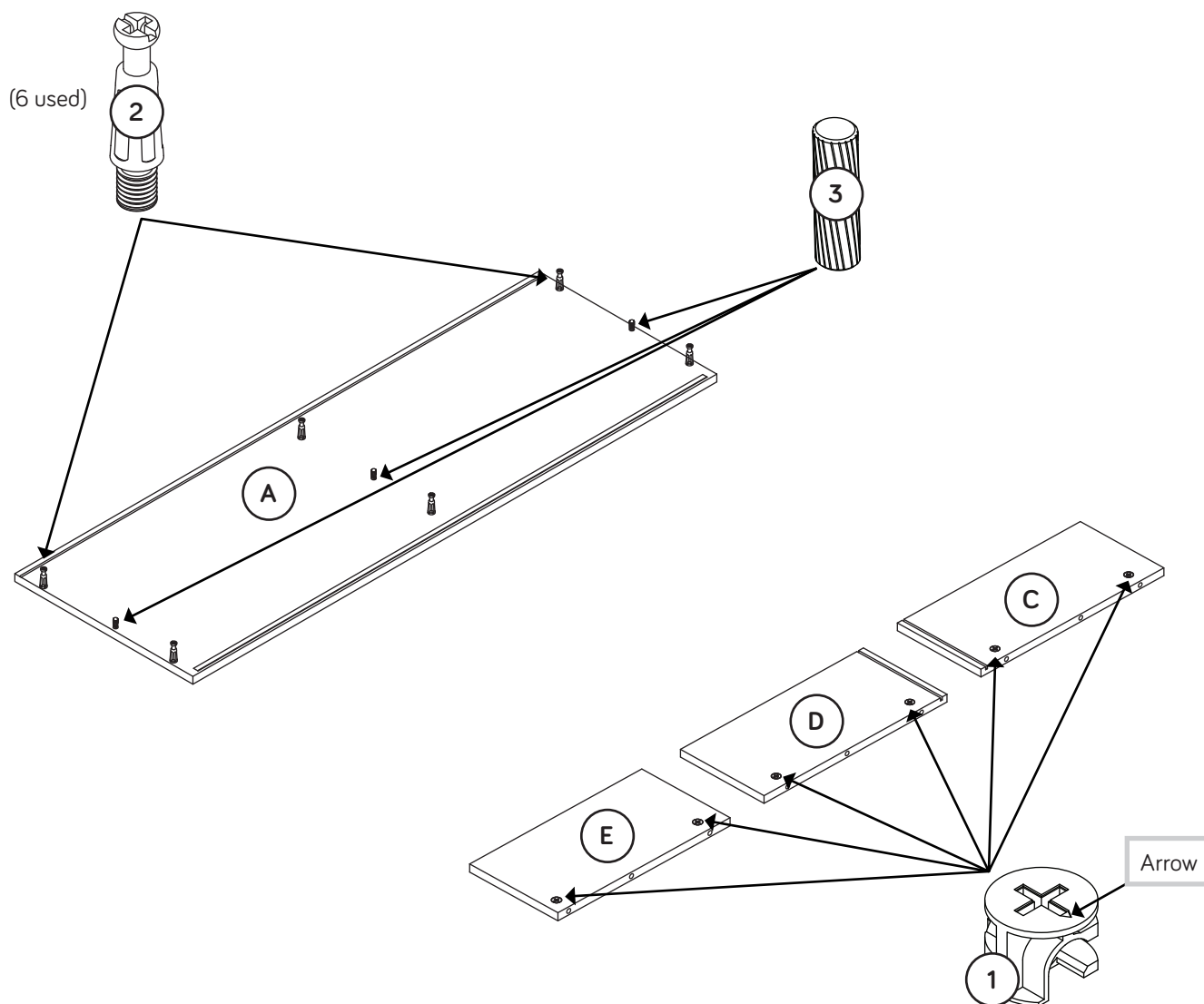
3.

Insert the CAM SCREW or CAM DOWEL into the HIDDEN CAM. Tighten the HIDDEN CAM.



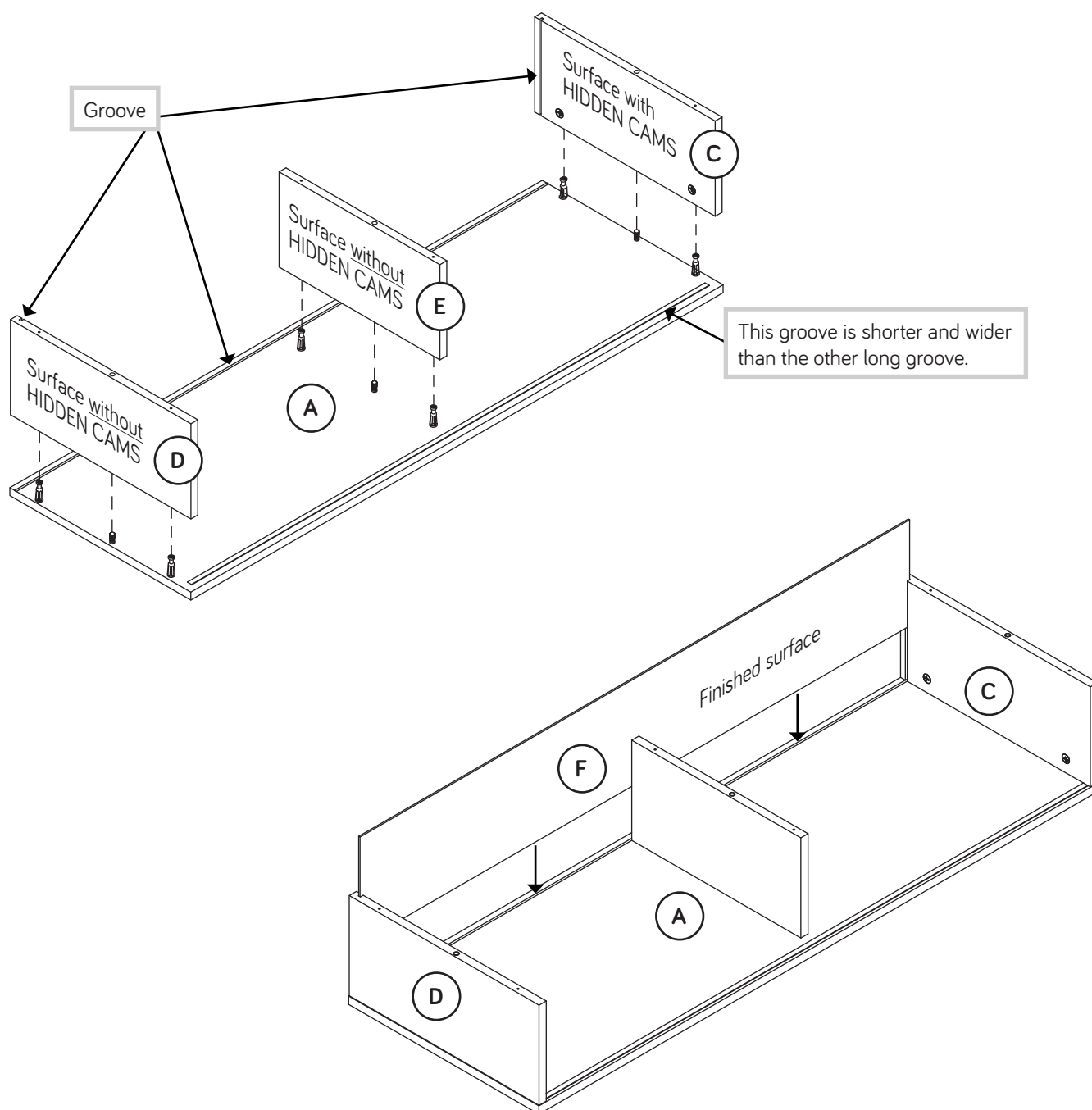
# Step 2

- ✚ Insert three WOOD DOWELS (3) into the SHELF (A).
- ✚ Turn six CAM SCREWS (2) into the remaining holes in the SHELF (A).
- ✚ Push six HIDDEN CAMS (1) into the ENDS (C and D) and UPRIGHT (E).



# Step 3

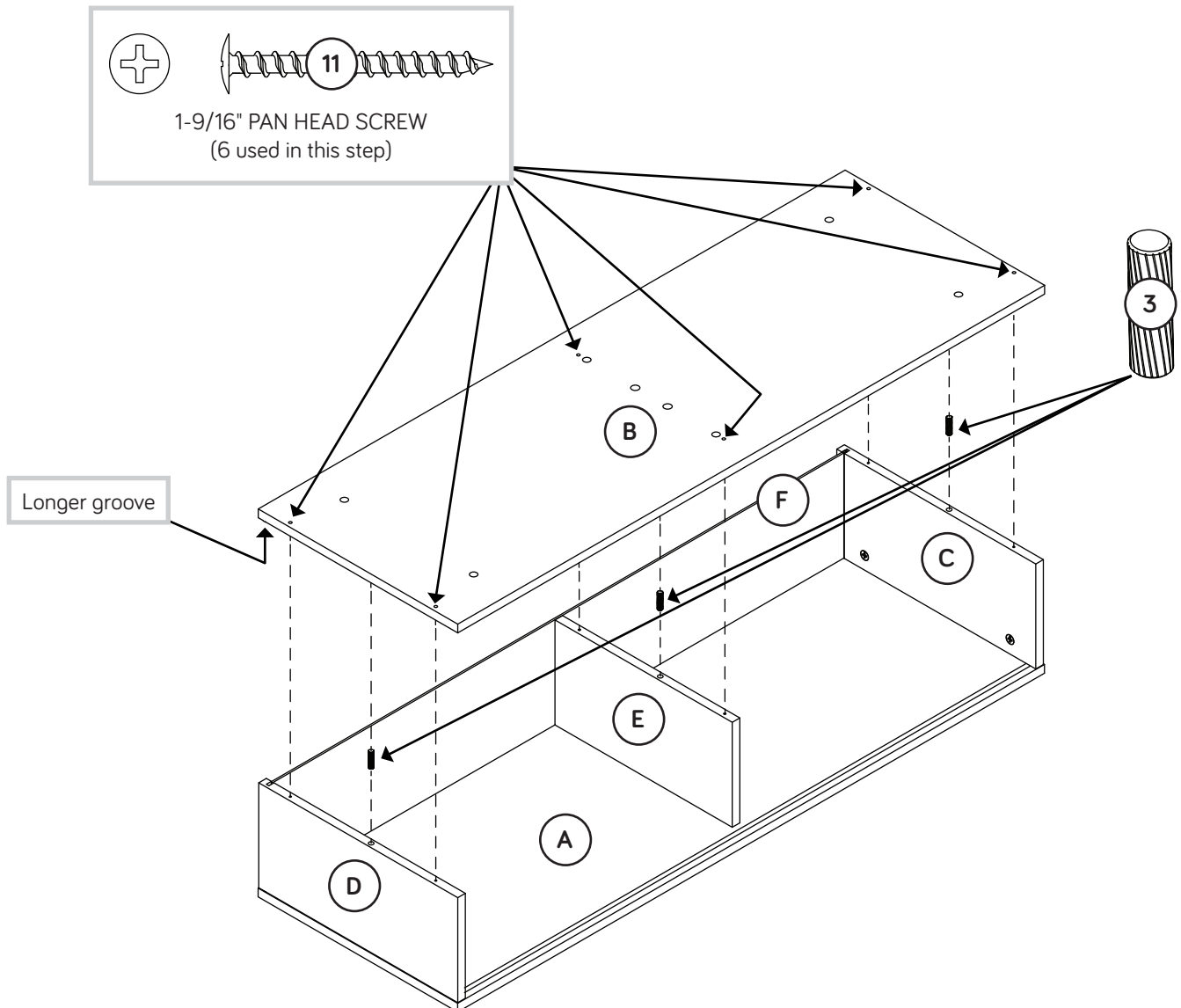
- Fasten the ENDS (C and D) and UPRIGHT (E) to the SHELF (A). Tighten six HIDDEN CAMS.
- NOTE:** Be sure the WOOD DOWELS in the SHELF insert into the ENDS and UPRIGHT.
- Slide the BACK (F) into the grooves in the SHELF (A) and ENDS (C and D).





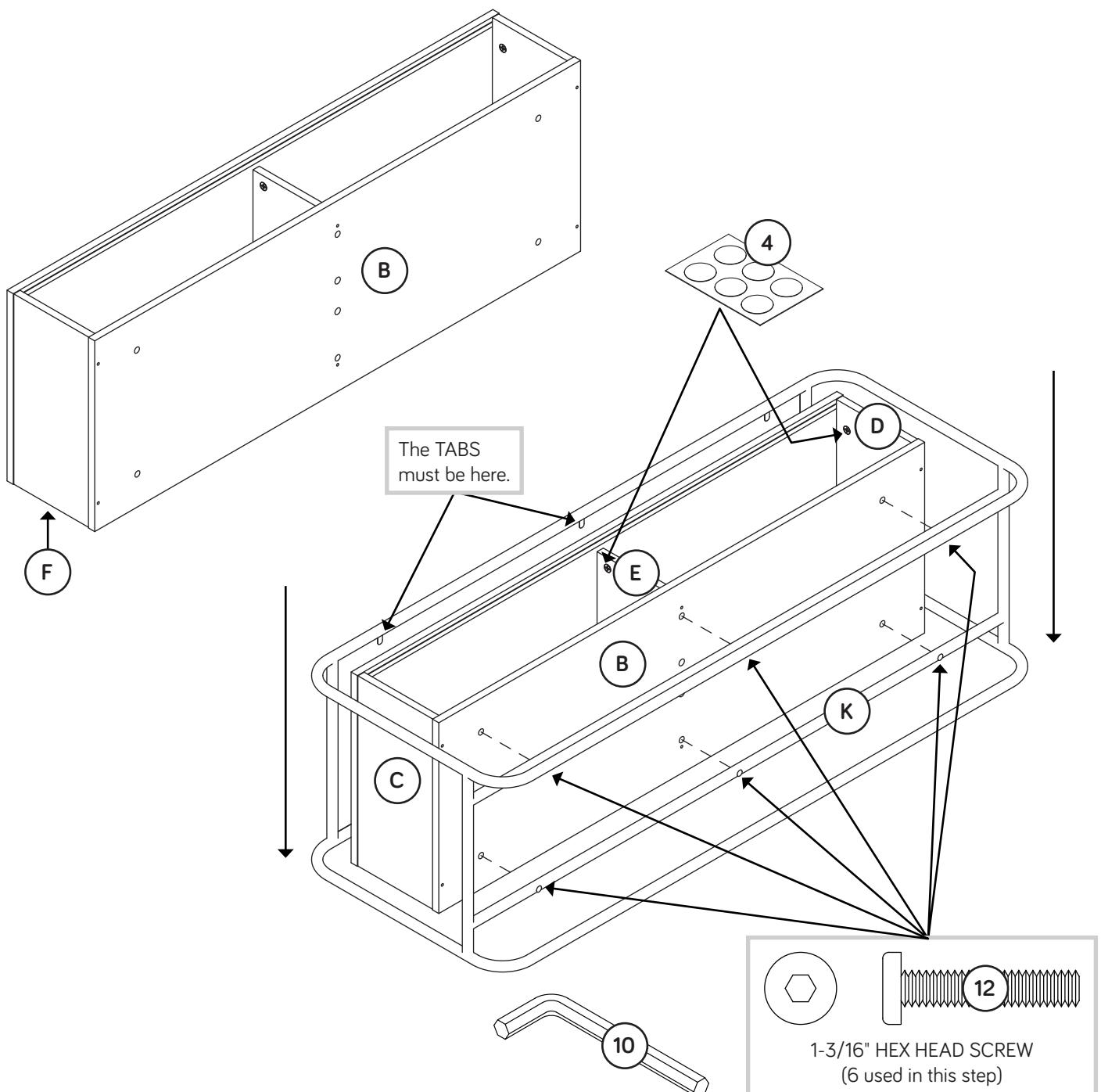
# Step 4

- ✚ Insert three WOOD DOWELS (3) into the ENDS (C and D) and UPRIGHT (E).
- ✚ Fasten the BOTTOM (B) to the ENDS (C and D) and UPRIGHTS (E). Use six 1-9/16" PAN HEAD SCREWS (11).
- ✚ NOTE: You should start each SCREW a few turns before completely tightening any of them.
- ✚ NOTE: Be sure the WOOD DOWELS in the ENDS and UPRIGHT insert into the BOTTOM.
- ✚ NOTE: Be sure the BACK (F) inserts into the groove in the BOTTOM.



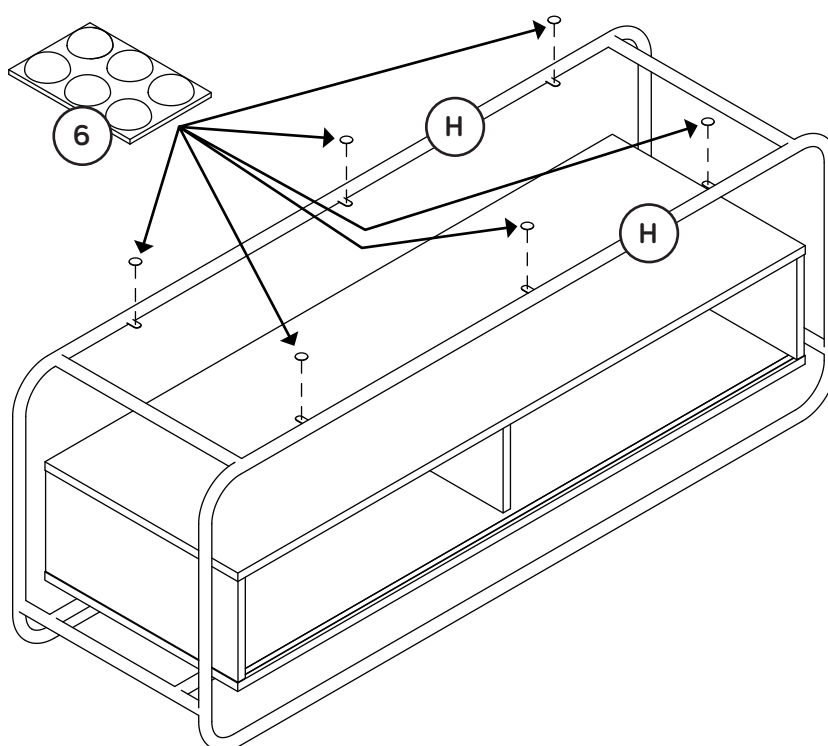
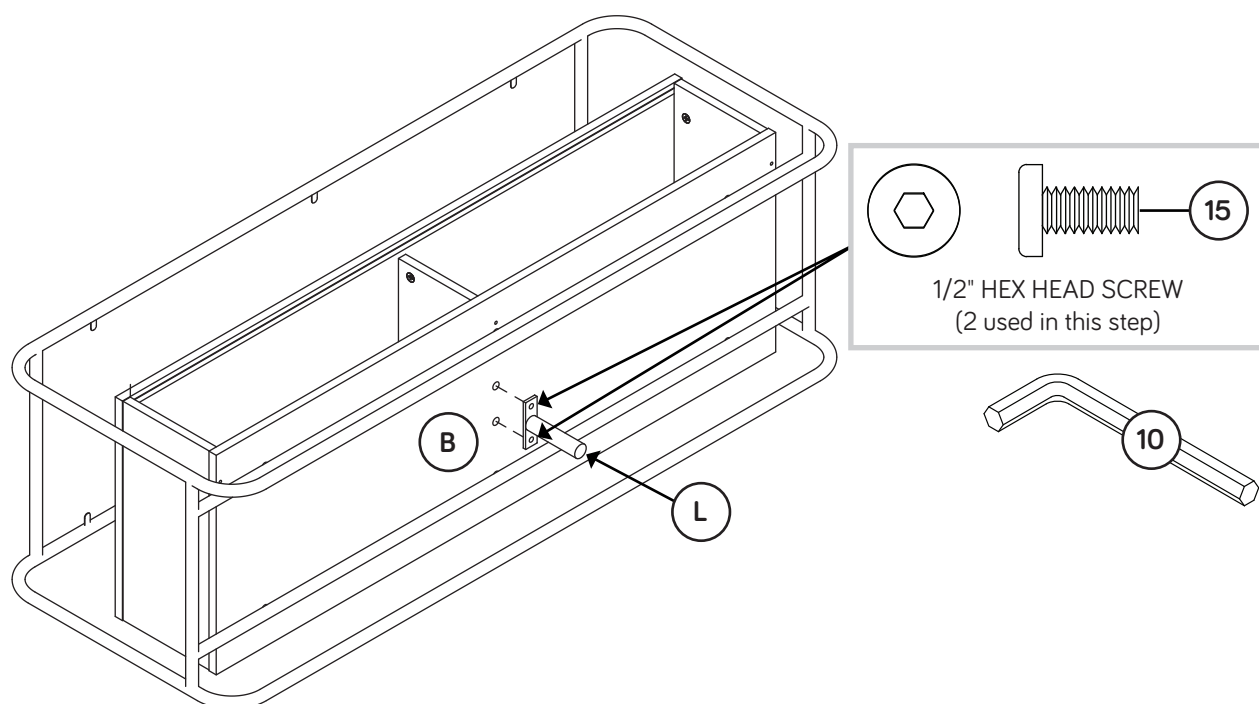
# Step 5

- ✦ Carefully turn the box assembly onto the BACK (F) as shown.
- ✦ Place the metal parts assembly down over the box exactly as shown.
- ✦ Fasten the BASE (K) to the BOTTOM (B). Tighten six 1-3/16" HEX HEAD SCREWS (12) using the L-WRENCH (10).
- ✦ NOTE: You should start each SCREW a few turns before completely tightening any of them.
- ✦ Peel APPLIQUES from the APPLIQUE CARD (4) and stick them onto each visible HIDDEN CAM in the ENDS (C and D) and UPRIGHT (E).



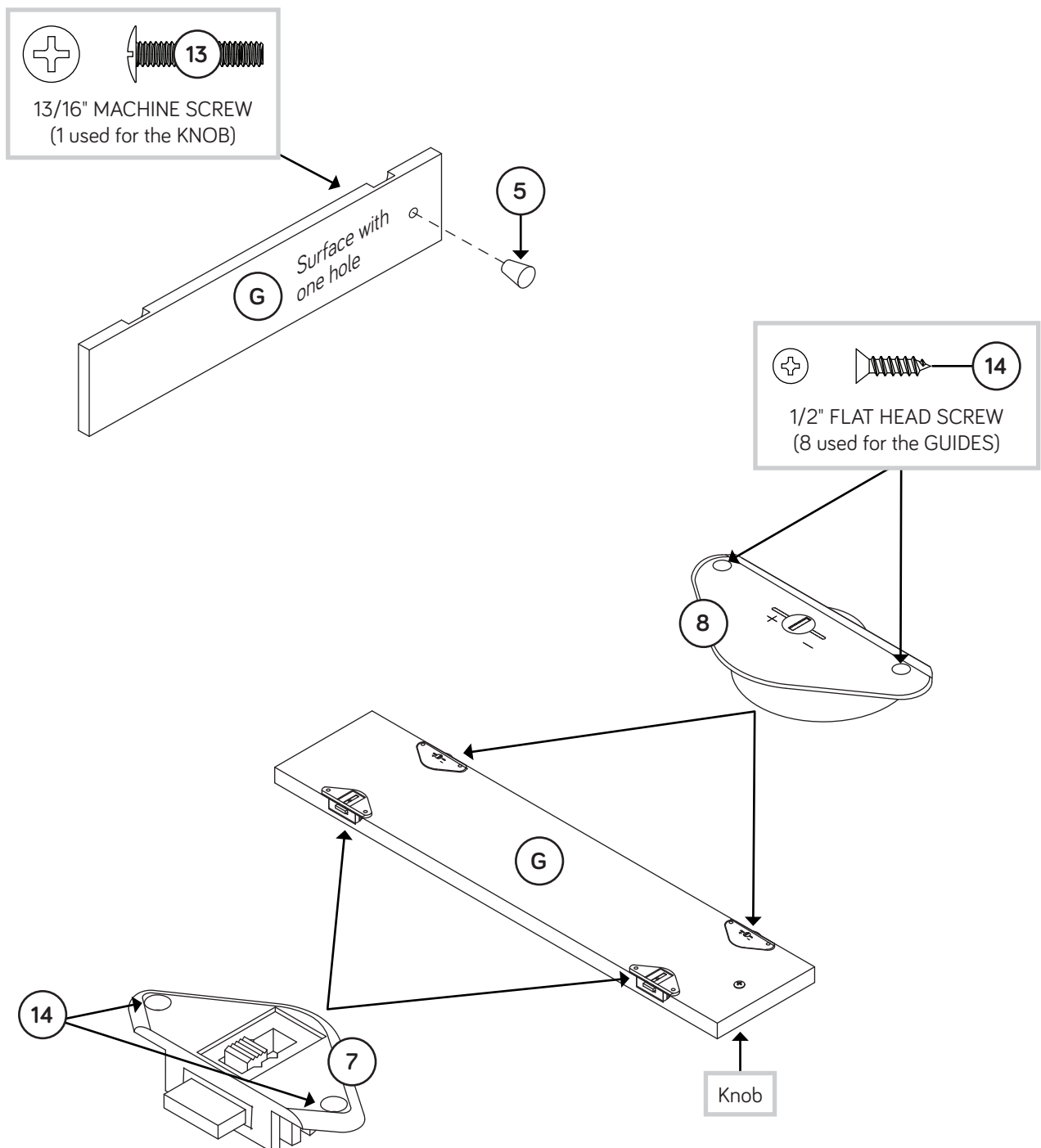
# Step 6

- ✚ Fasten the FOOT (L) to the BOTTOM (B). Tighten two 1/2" HEX HEAD SCREWS (15) using the L-WRENCH (10).
- ✚ Carefully stand your unit upright.
- ✚ Peel the BUMPERS from the BUMPER CARDS (6) and stick them onto the tabs on the FRAMES (H) as shown.



# Step 7

- Fasten the KNOB (5) to the SLIDING DOOR (G). Use one 13/16" MACHINE SCREW (13).
- Fasten the GUIDES (7 and 8) to the SLIDING DOOR (G) exactly as shown. Use eight 1/2" FLAT HEAD SCREWS (14).



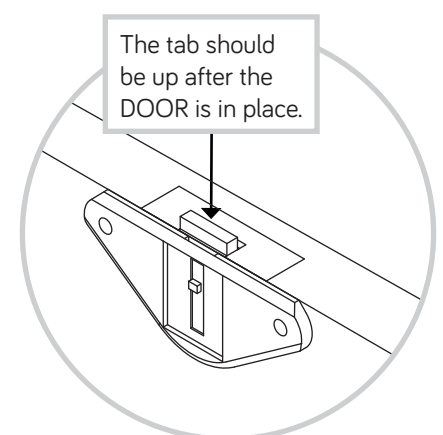
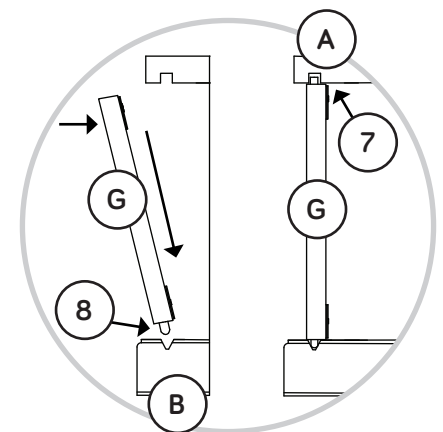
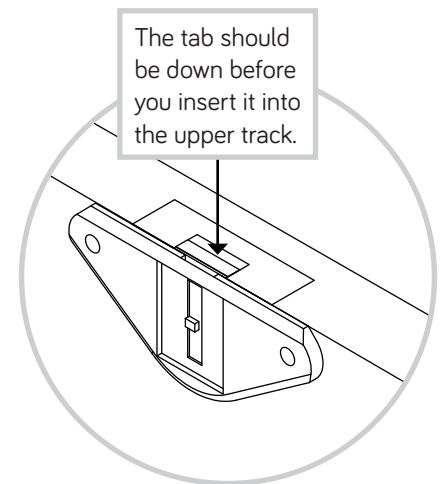
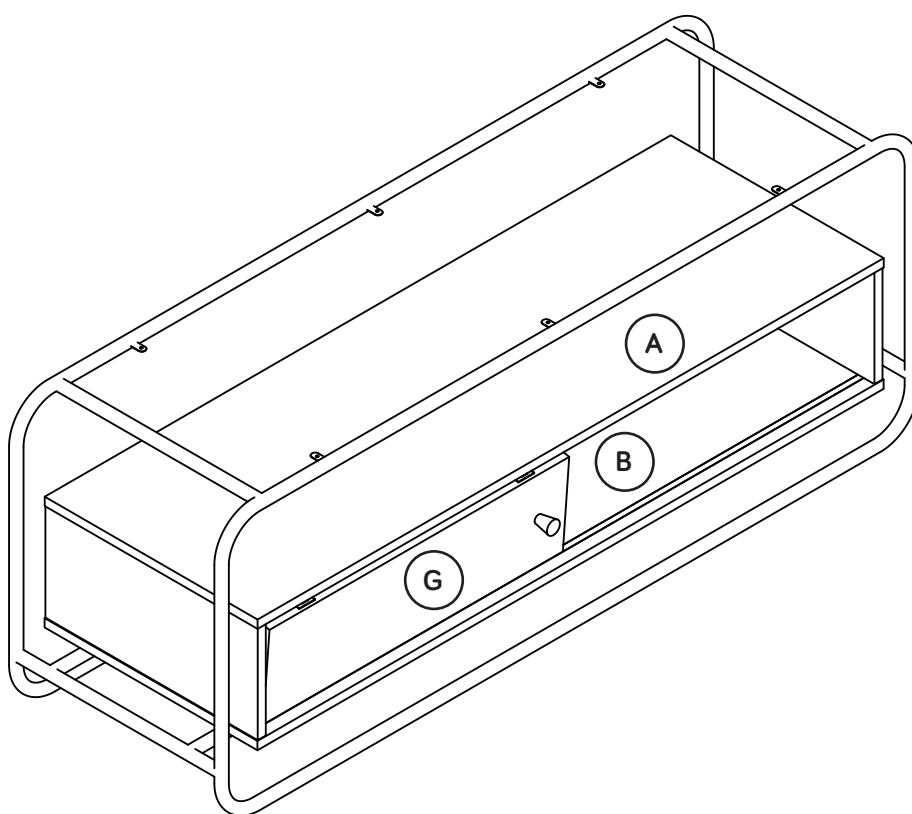
# Step 8

🔧 **NOTE:** The UPPER GUIDE (7) tabs should be down before starting this step.

🔧 Insert the LOWER GUIDES (8) in the SLIDING DOOR (G) at an angle into the groove in the BOTTOM (B). Then, tilt the DOOR (G) up vertically. Push the UPPER GUIDE (7) tabs up into the groove in the SHELF (A).

🔧 **NOTE:** The DOOR should slide freely in the track.

🔧 **NOTE:** The DOOR gap is adjustable. Turn the cam on the LOWER GUIDES (8) with a STRAIGHT EDGE SCREWDRIVER to adjust the door up or down.



# Step 9

## ⚠ Caution

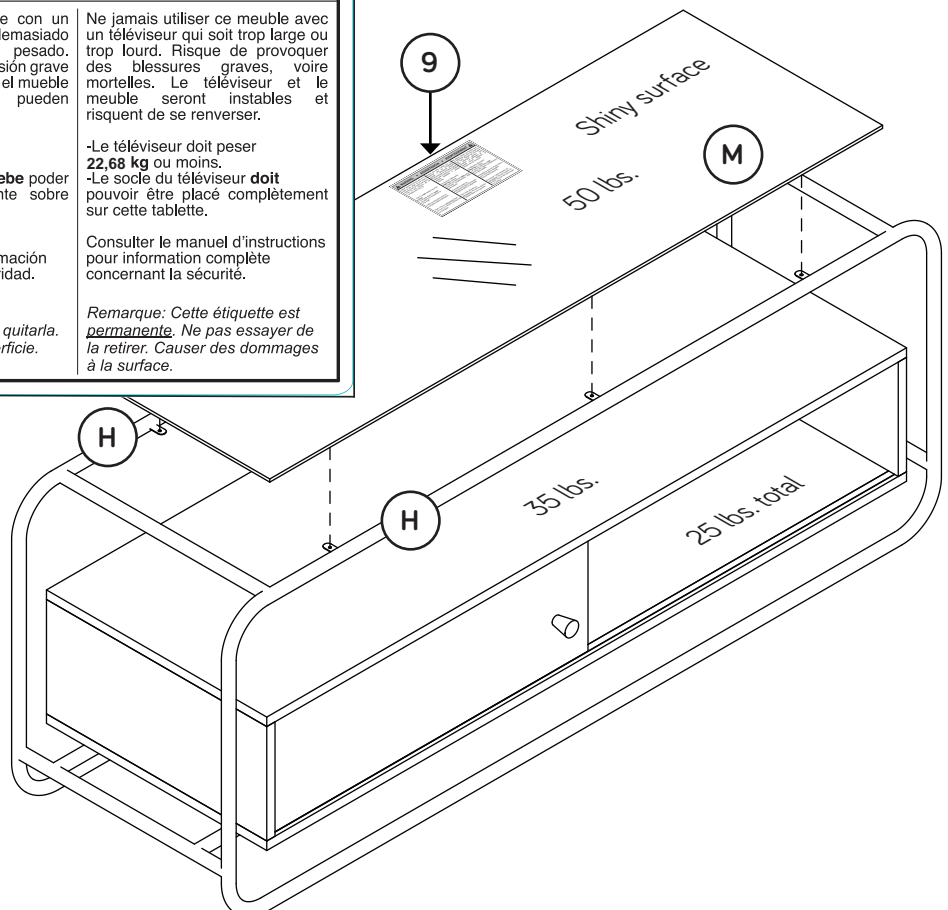
Tempered safety glass is used. It is stronger than normal glass, and it will not break into long, sharp, knife-like shards. However, safety glass **can break**. When safety glass breaks, it instantly fractures into small, bead-like pieces. These small pieces may have sharp edges.

For your safety, follow these precautions when you assemble your product:

- Wear safety glasses or other eye protection.
- Do not try to drill into or cut safety glass. It will instantly break into small pieces.
- Do not force the glass into position.
- If the glass breaks, be careful when you pick up the pieces. They may have sharp edges.

- ✚ Carefully place the GLASS TOP (M) onto the BUMPERS on the FRAMES (H).
- ✚ Apply the WARNING LABEL (9) to the TOP (M). You should be able to read the label when the TV is removed from the unit. Peel off the backing and apply the label as shown in the diagram.
- ✚ **NOTE:** This is a permanent label intended to last for the life of the product. Once applied, do not try to remove it.
- ✚ **NOTE:** Please read the back pages of the instruction booklet for important safety information.
- ✚ This completes assembly. Clean with a damp cloth. Wipe dry.

⚠ WARNING	• ADVERTENCIA	• AVERTISSEMENT	⚠
Never use this furniture with a TV that is too large or too heavy. Severe injury or death can occur. The TV and furniture will be unstable and may tip.	Nunca use este mueble con un televisor que es demasiado pesado. Podría resultar en una lesión grave hasta fatal. El televisor y el mueble estarán inestables y pueden volcarse.	Ne jamais utiliser ce meuble avec un téléviseur qui soit trop large ou trop lourd. Risque de provoquer des blessures graves, voire mortelles. Le téléviseur et le meuble seront instables et risquent de se renverser.	
-The TV <b>must</b> weigh less than <b>50 lbs.</b> -The base of the TV <b>must</b> be able to sit completely on this shelf.	-El televisor debe pesar <b>22,68 kg</b> o menos. -La base del televisor <b>debe</b> poder colocarse completamente sobre este estante.	-Le téléviseur doit peser <b>22,68 kg</b> ou moins. -Le socle du téléviseur <b>doit</b> pouvoir être placé complètement sur cette tablette.	
Refer to instruction book for complete safety information.	Consulte el folleto de instrucciones para información completa sobre la seguridad.	Consulter le manuel d'instructions pour information complète concernant la sécurité.	
<i>Note: This is a <b>permanent</b> label. Do not try to remove. Surface will be damaged.</i>	<i>Nota: Esta etiqueta es <b>permanente</b>. No intente quitarla. Causará daño a la superficie.</i>	<i>Remarque: Cette étiquette est <b>permanente</b>. Ne pas essayer de la retirer. Causera des dommages à la surface.</i>	



**⚠ WARNING**

Please use your furniture correctly and safely. Improper use can cause safety hazards, or damage to your furniture or household items. Carefully read the following safety information.

Death or serious injury may occur when children climb on audio and/or video equipment furniture. A remote control or toys placed on the furnishing may encourage a child to climb on the furnishing and as a result may tip over onto the child.

**NEVER** allow children to climb or play with the TV or furnishing supporting the TV.

**NEVER** place toys, food, remote, etc. on top of the TV or TV furnishing.

**ALWAYS** use either the safety hardware as instructed or other wall anchoring device.

Relocating audio and/or video equipment to furniture not specifically designed to support audio and/or video equipment may result in death or serious injury due to furniture collapse or over turning onto a child.

**NEVER** place a TV on furniture that is not intended to support a TV.

**NEVER** exceed the maximum size and weight of the TV shown in the instructions.

Be sure to apply the TV warning label as shown in the instructions.

Overloading drawers and shelves may result in furniture that can break or sag, or tip-over which may result in injury.

**NEVER** exceed the weight limits shown in the instructions.

Place the heavier items on lower shelves as far back from the front as possible.

Load the bottom surfaces first to avoid top-heavy furniture.

Moving furniture that is not designed to be moved or equipped with casters may result in injury or damage to furnishings or personal property.

**ALWAYS** unload shelves and drawers, starting with the top surfaces, before moving.

**NEVER** push or pull furniture on carpet. Have a friend help lift properly to move and/or reposition it.