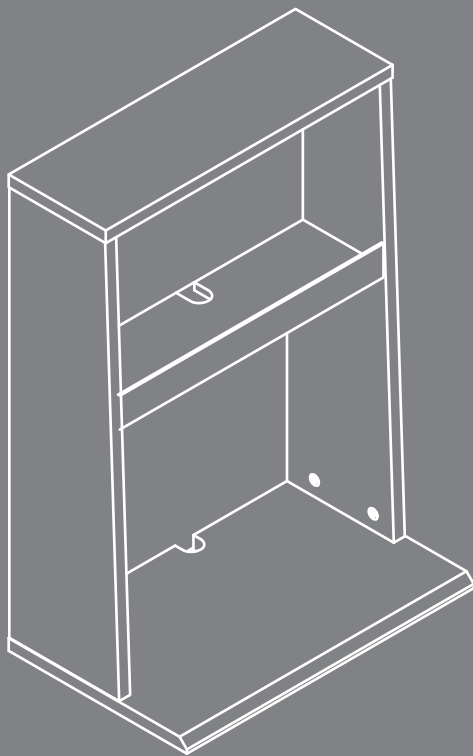


**Teknik**

[www.teknikoffice.co.uk](http://www.teknikoffice.co.uk)



For things and such.

## Hudson Wall Mounted Night Stand

**Model 5425815**

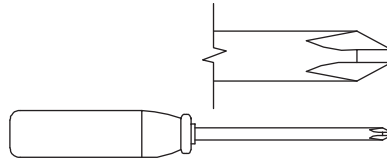
**NOTE:** THIS INSTRUCTION BOOKLET CONTAINS **IMPORTANT** SAFETY INFORMATION.

PLEASE READ AND KEEP FOR FUTURE REFERENCE.

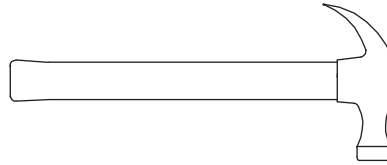
# Table of Contents

# Assembly Tools Required

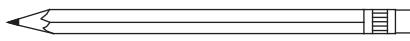
|                         |       |
|-------------------------|-------|
| Part Identification     | 3     |
| Hardware Identification | 4     |
| Assembly Steps          | 5-17  |
| Français                | 18-19 |
| Español                 | 20-21 |
| Safety                  | 22    |
| Warranty                | 23    |



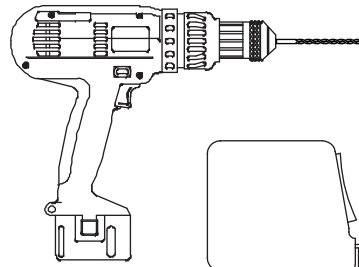
No. 2 Phillips Screwdriver  
Tip Shown Actual Size



Hammer  
Not actual size 😊



Pencil



Electric drill with 3/32"  
and 7/16" bit  
(ONLY in indicated step)

Tape Measure



Level

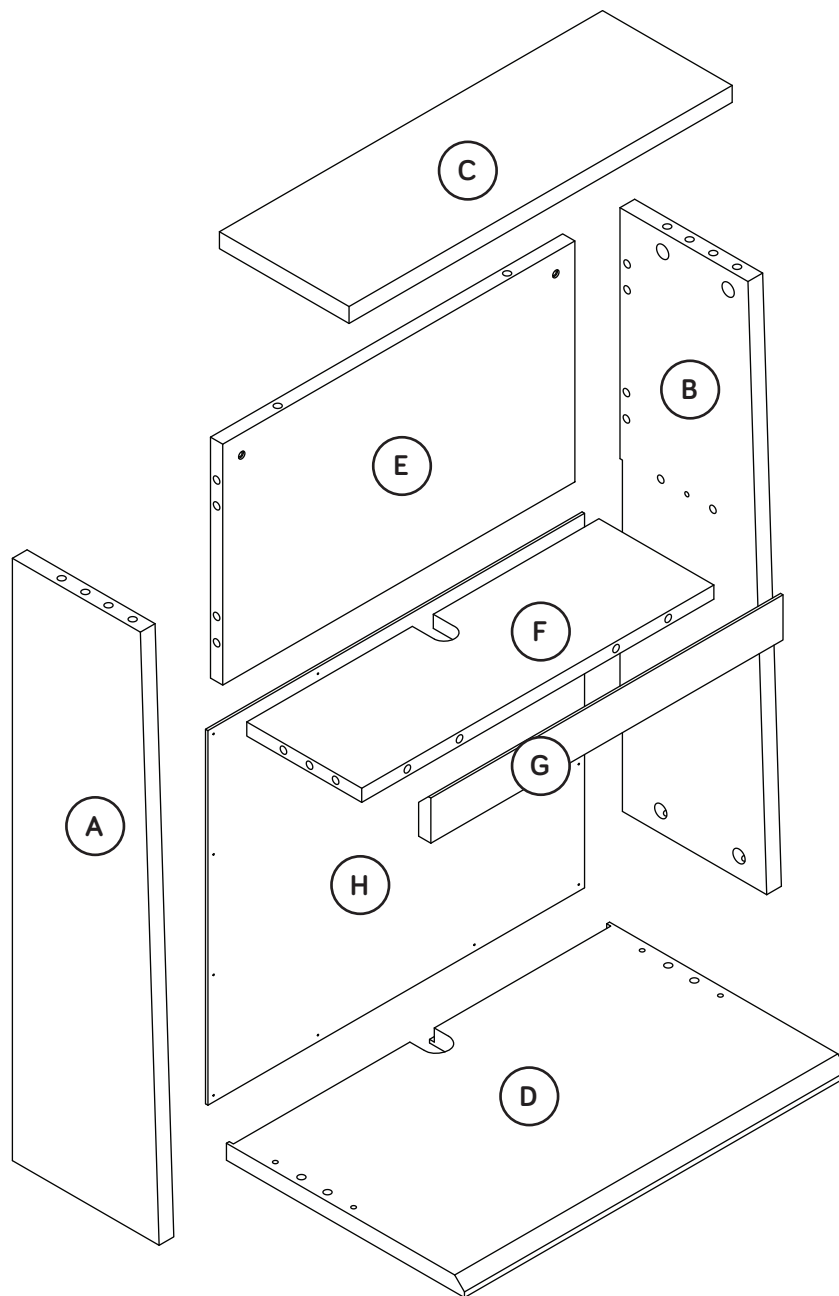
# Part Identification

Now you know  
our ABCs.



⚠ While not all parts are labeled, some of the parts will have a label or an inked letter on the edge to help distinguish similar parts from each other. Use this part identification to help identify similar parts.

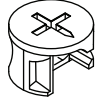
|   |               |   |                |   |                |
|---|---------------|---|----------------|---|----------------|
| A | LEFT END (1)  | D | BOTTOM (1)     | G | MOLDING (1)    |
| B | RIGHT END (1) | E | SMALL BACK (1) | H | LARGE BACK (1) |
| C | TOP (1)       | F | SHELF (1)      |   |                |



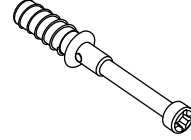
# Hardware Identification

† Screws are shown actual size. You may receive extra hardware with your unit.

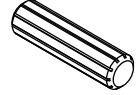
1 HIDDEN CAM - 12



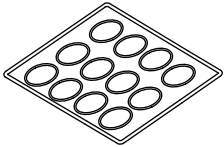
2 CAM SCREW - 12



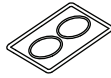
3 WOOD DOWEL - 24



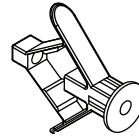
4 BLACK APPLIQUE CARD - 1



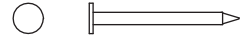
5 WHITE APPLIQUE CARD - 1



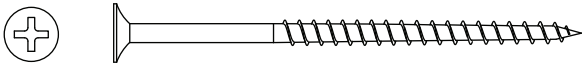
6 WALL ANCHOR - 1



7 NAIL - 12



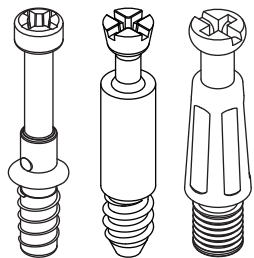
8 2-7/16" FLAT HEAD SCREW - 2



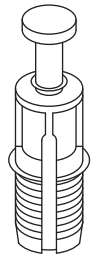
# Hardware Usage Guide

## HOW TO USE A HIDDEN CAM & CAM SCREW OR CAM DOWEL

1. NOTE: Various CAM SCREWS or a CAM DOWEL may be used.

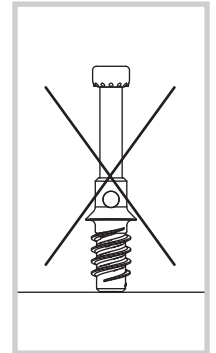
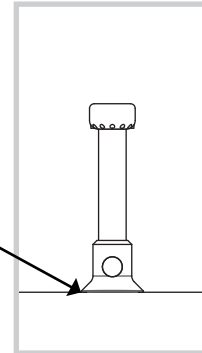


Cam Screws

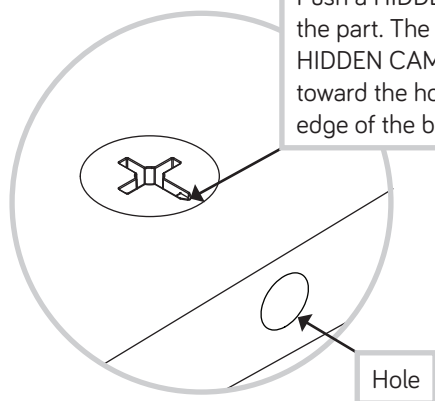
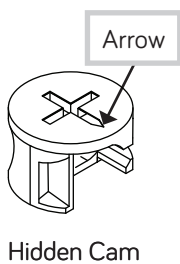


Cam Dowel

Turn the CAM SCREW or gently tap the CAM DOWEL until the shoulder is against the surface of the part.

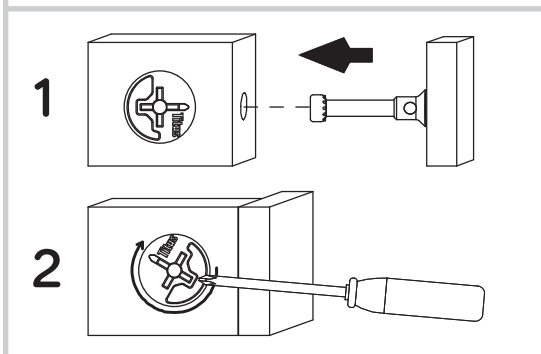


2.



3.

Insert the CAM SCREW or CAM DOWEL into the HIDDEN CAM. Tighten the HIDDEN CAM.

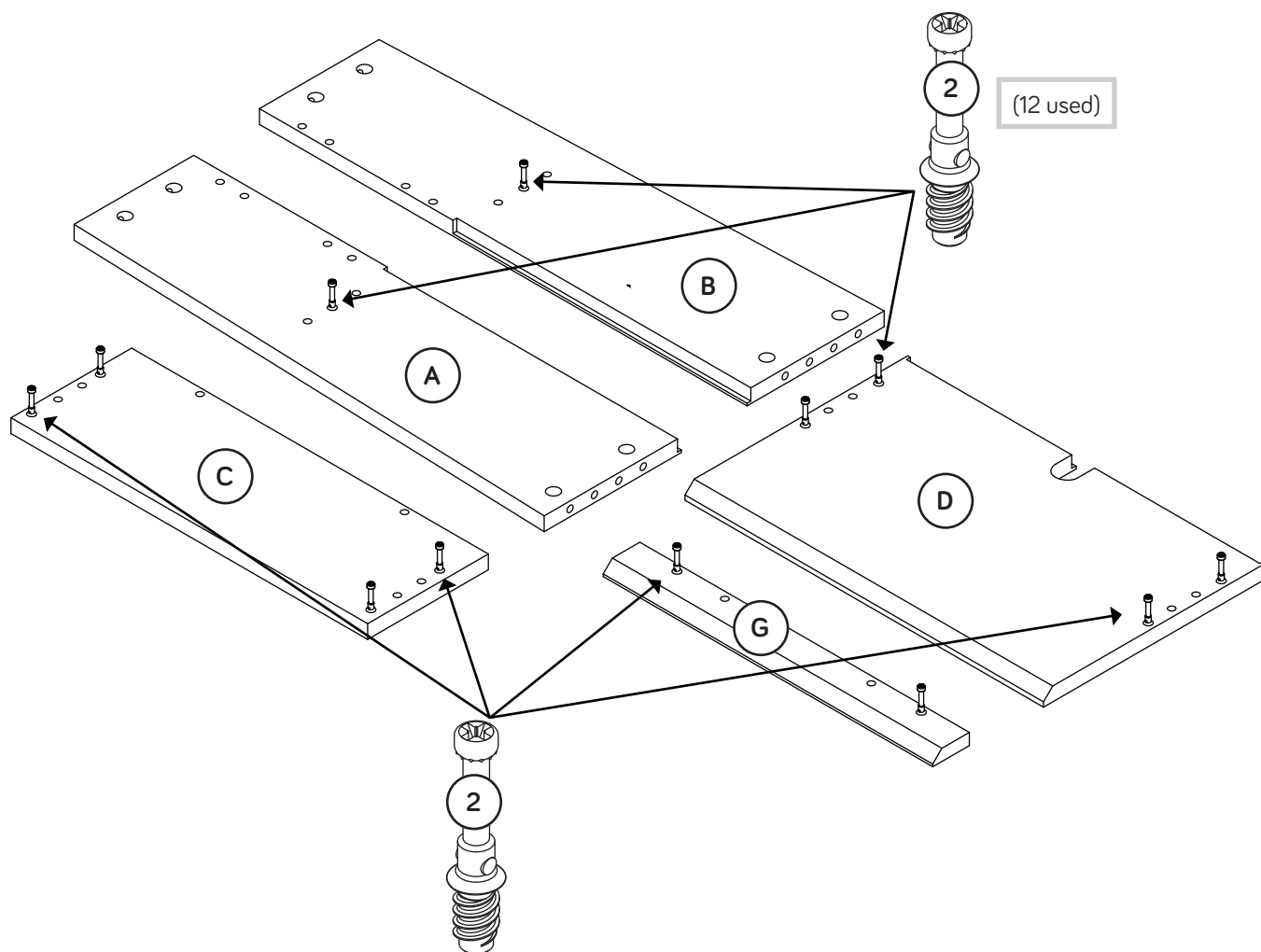


# Step 1

- ✚ Assemble your unit on a carpeted floor or on the empty carton to avoid scratching your unit or the floor.
- ✚ Turn twelve CAM SCREWS (2) into the ENDS (A and B), TOP (C), BOTTOM (D), and MOLDING (G).

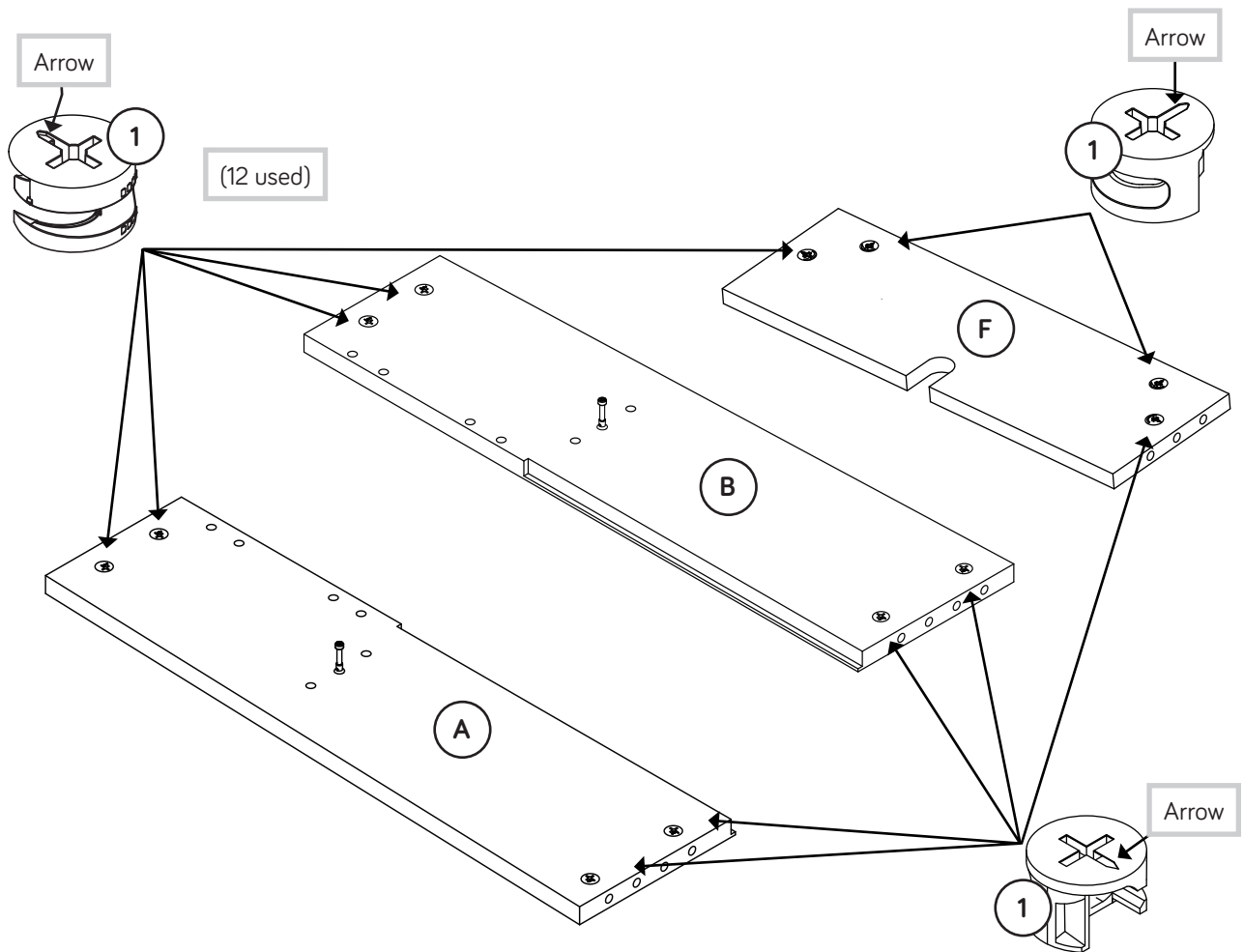


Remember:  
Righty tighty.  
Lefty loosey.



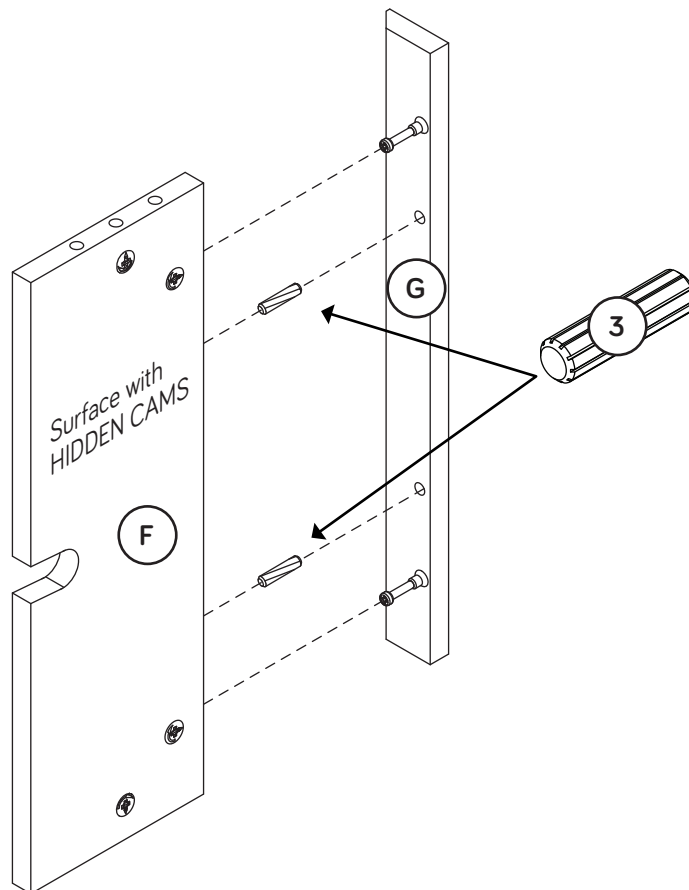
# Step 2

- Push twelve HIDDEN CAMS (1) into the ENDS (A and B) and SHELF (F).



# Step 3

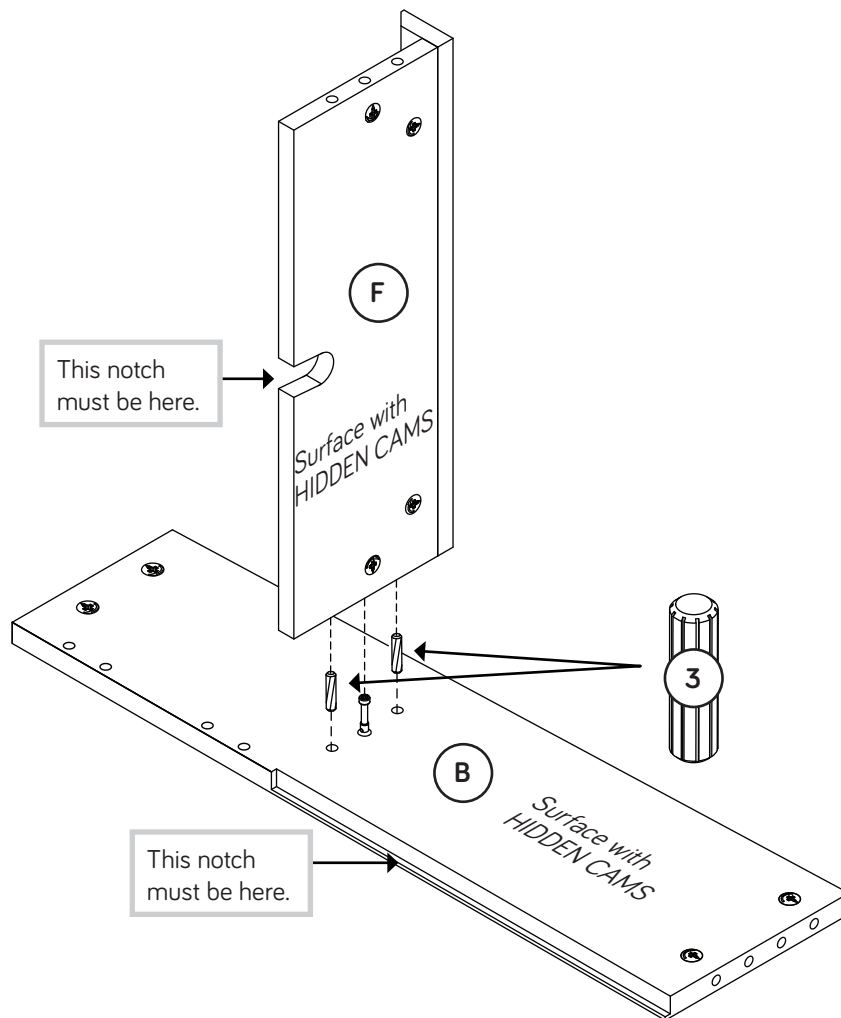
- ✚ Insert two WOOD DOWELS (3) into the MOLDING (G).
- ✚ Fasten the MOLDING (G) to the SHELF (F). Tighten two HIDDEN CAMS.
- ✚ NOTE: Be sure the WOOD DOWELS in the MOLDING (G) insert into the SHELF.





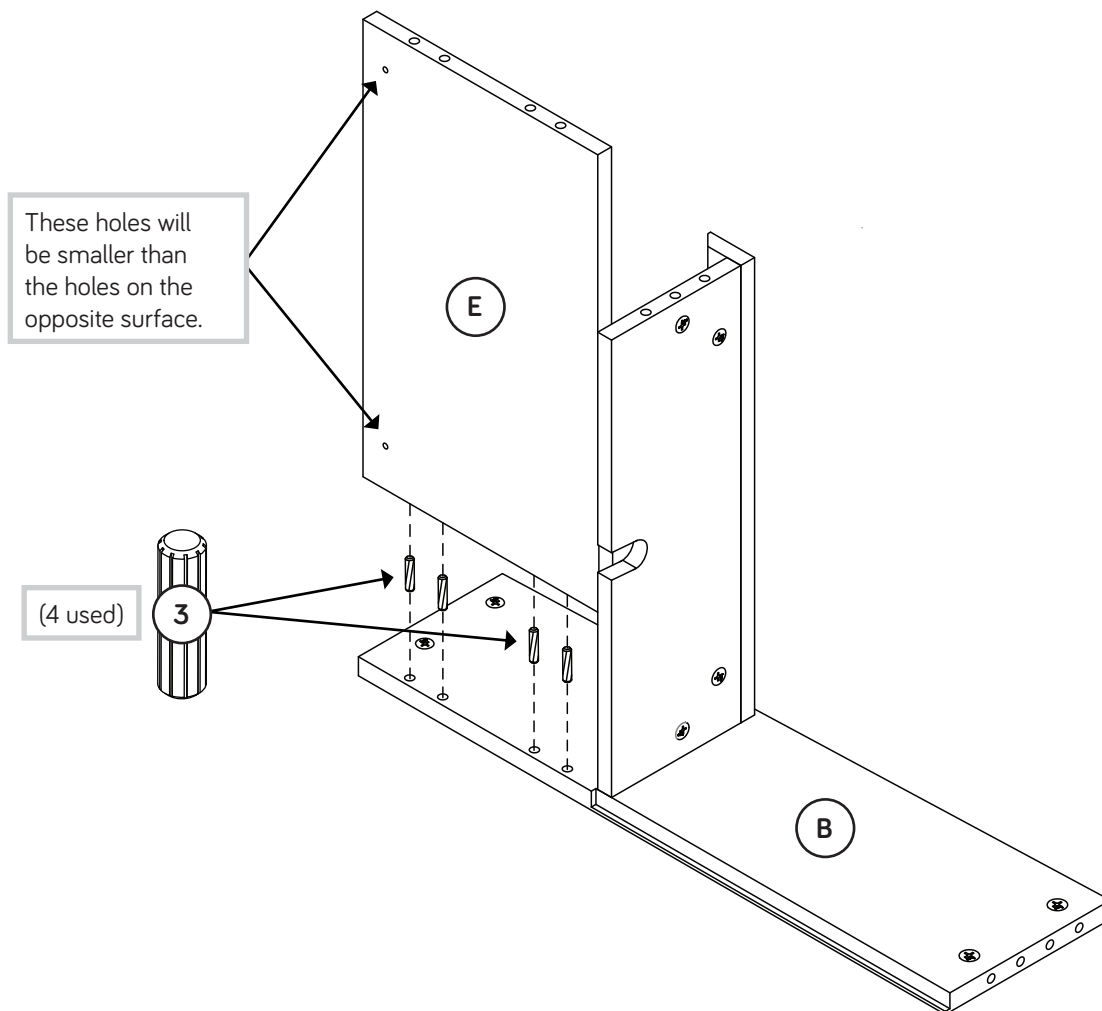
# Step 4

- ✚ Insert two WOOD DOWELS (3) into the RIGHT END (B).
- ✚ Fasten the SHELF (F) to the RIGHT END (B). Tighten the HIDDEN CAM.
- ✚ NOTE: Be sure the WOOD DOWELS in the RIGHT END insert into the SHELF.



# Step 5

- ✚ Insert four WOOD DOWELS (3) into the RIGHT END (B).
- ✚ Push the SMALL BACK (E) onto the WOOD DOWELS in the RIGHT END (B).

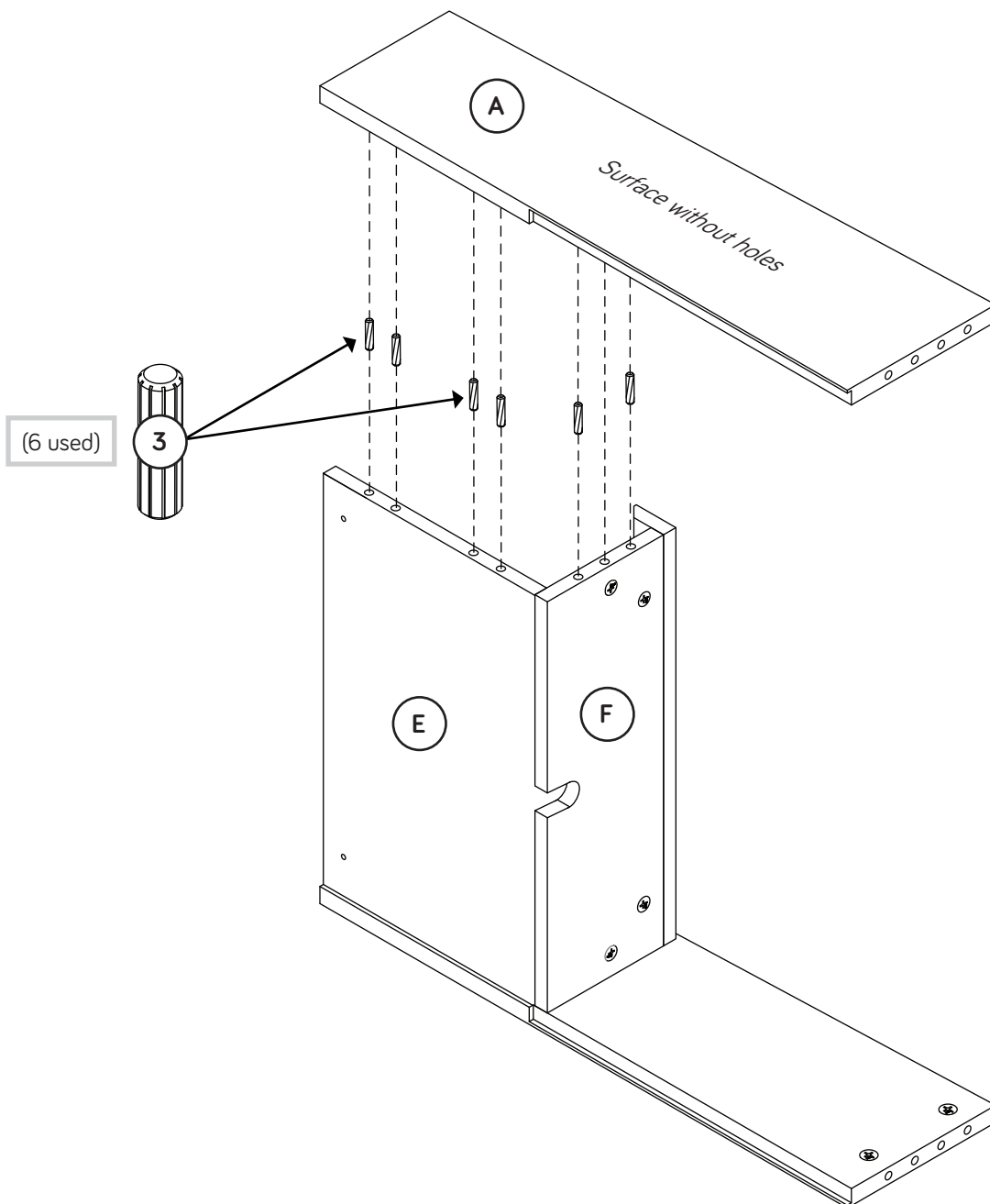


# Step 6

- ✚ Insert six WOOD DOWELS (3) into the SMALL BACK (E) and SHELF (F).
- ✚ Fasten the LEFT END (A) to the SMALL BACK (E) and SHELF (F). Tighten the HIDDEN CAM in the SHELF.
- ✚ NOTE: Be sure the WOOD DOWELS in the SMALL BACK and SHELF insert into the LEFT END.

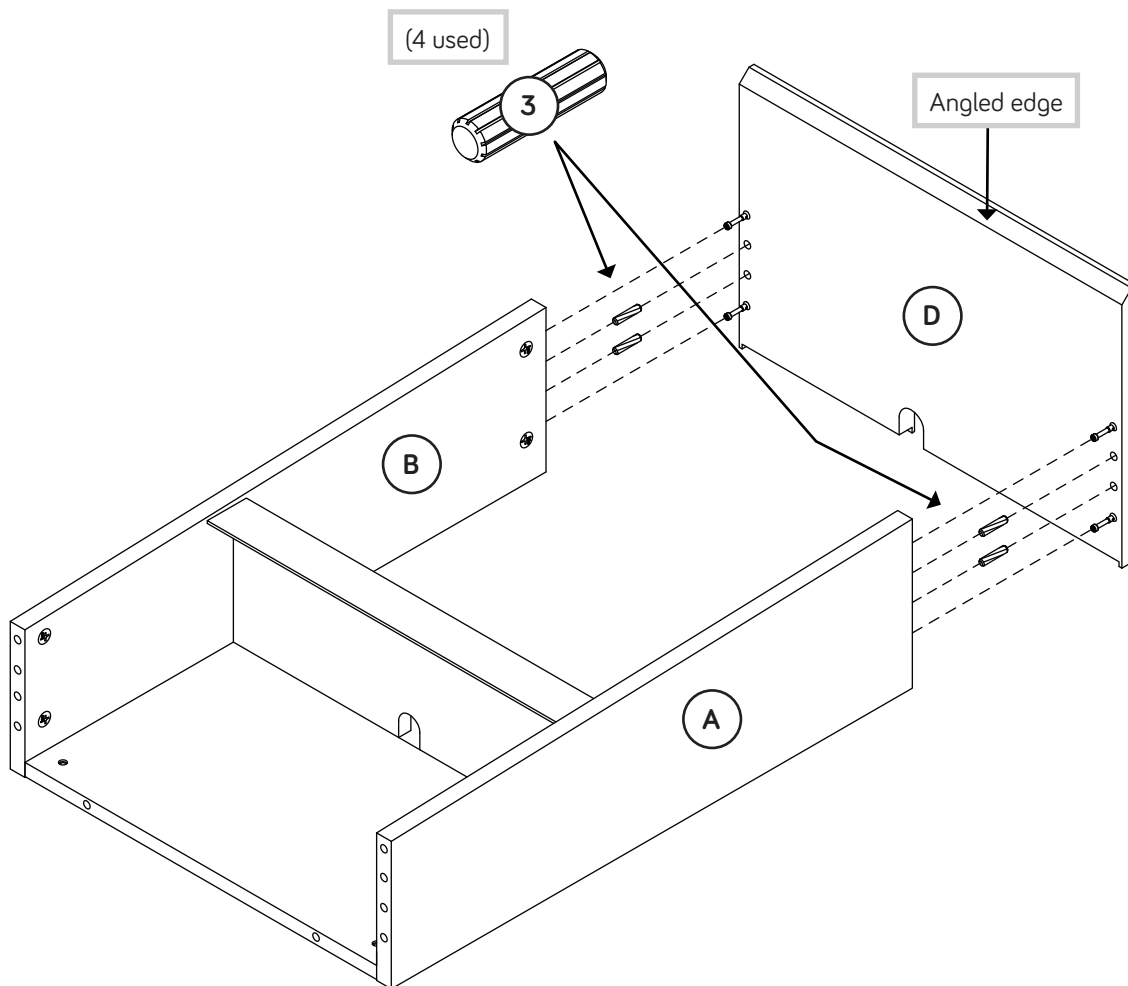


Now might be a good time to refresh your drink.



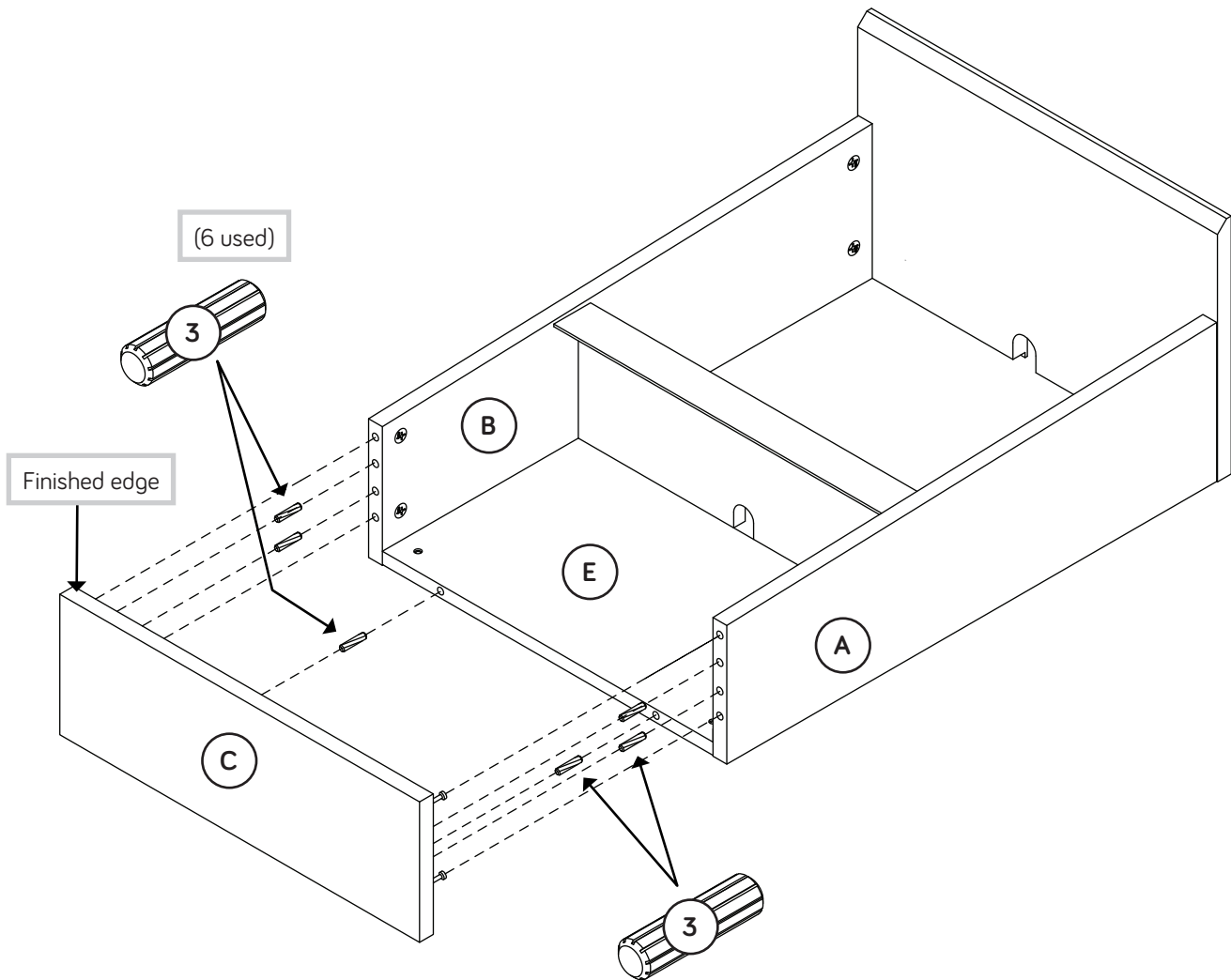
# Step 7

- ✚ Insert four WOOD DOWELS (3) into the BOTTOM (D).
- ✚ Fasten the ENDS (A and B) to the BOTTOM (D).  
Tighten four HIDDEN CAMS.
- ✚ NOTE: Be sure the WOOD DOWELS in the BOTTOM insert into the ENDS.



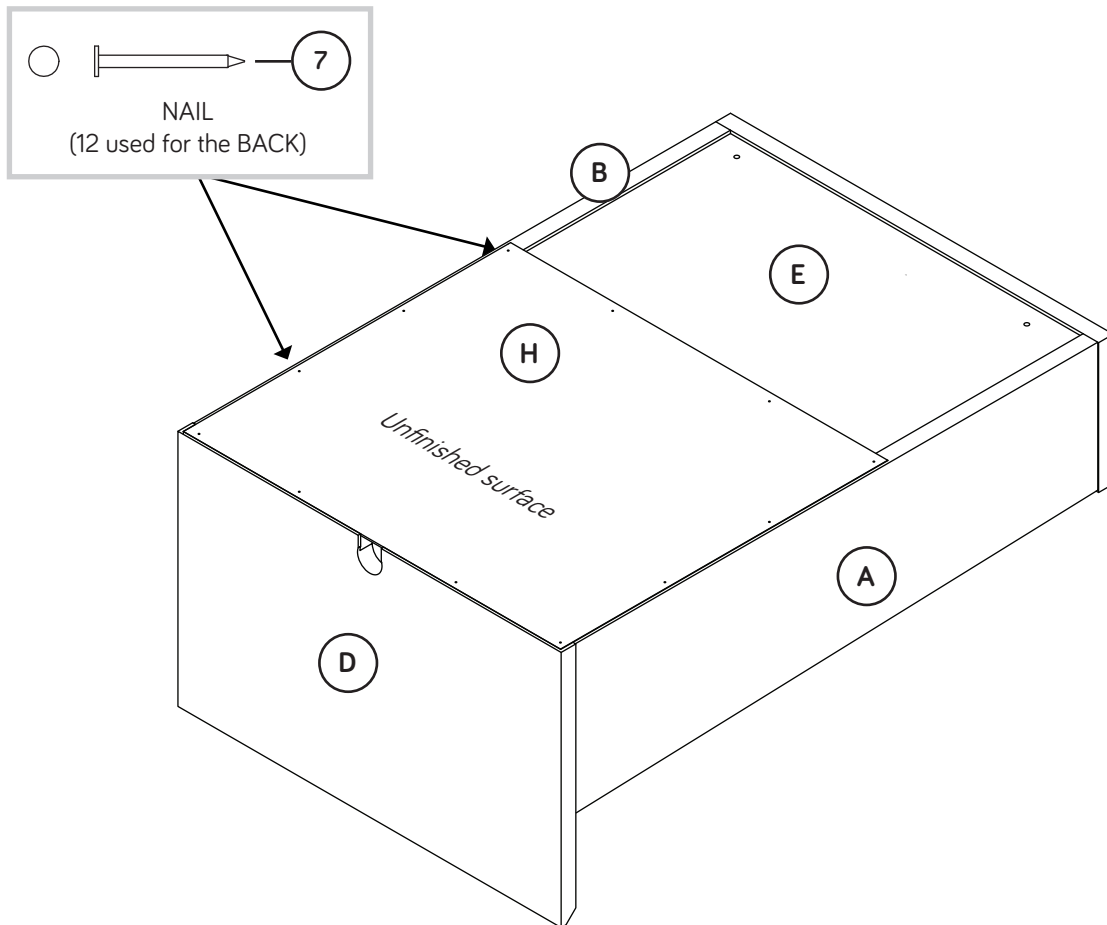
# Step 8

- ✚ Insert six WOOD DOWELS (3) into the ENDS (A and B) and BACK (E).
- ✚ Fasten the TOP (C) to the ENDS (A and B) and BACK (E). Tighten four HIDDEN CAMS.
- ✚ NOTE: Be sure the WOOD DOWELS in the ENDS and BACK insert into the TOP.



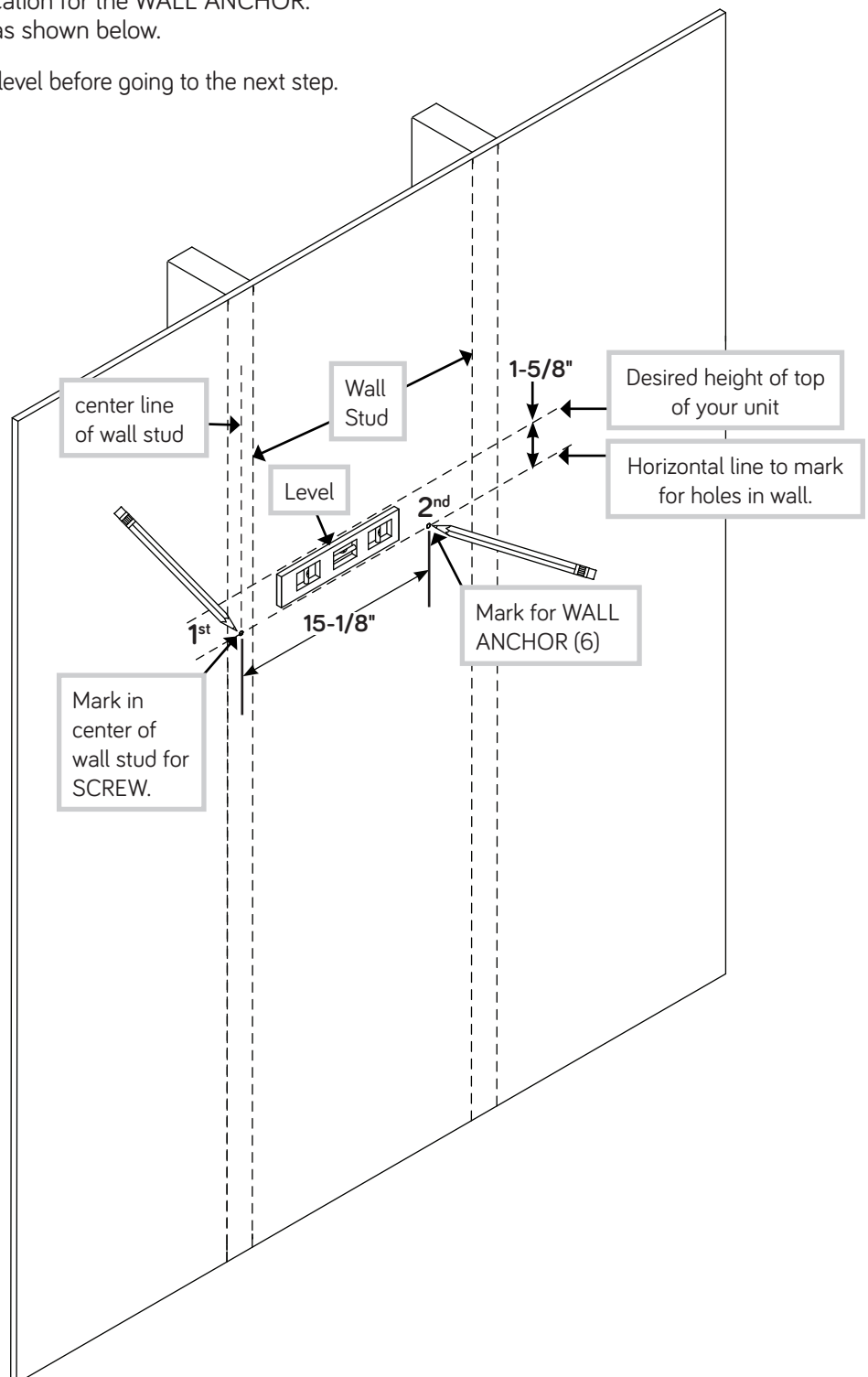
# Step 9

- ✚ Turn your unit onto its front edges.
- ✚ Place the LARGE BACK (H) into the groove of the ENDS (A and B) and fasten it to your unit using the NAILS (7).



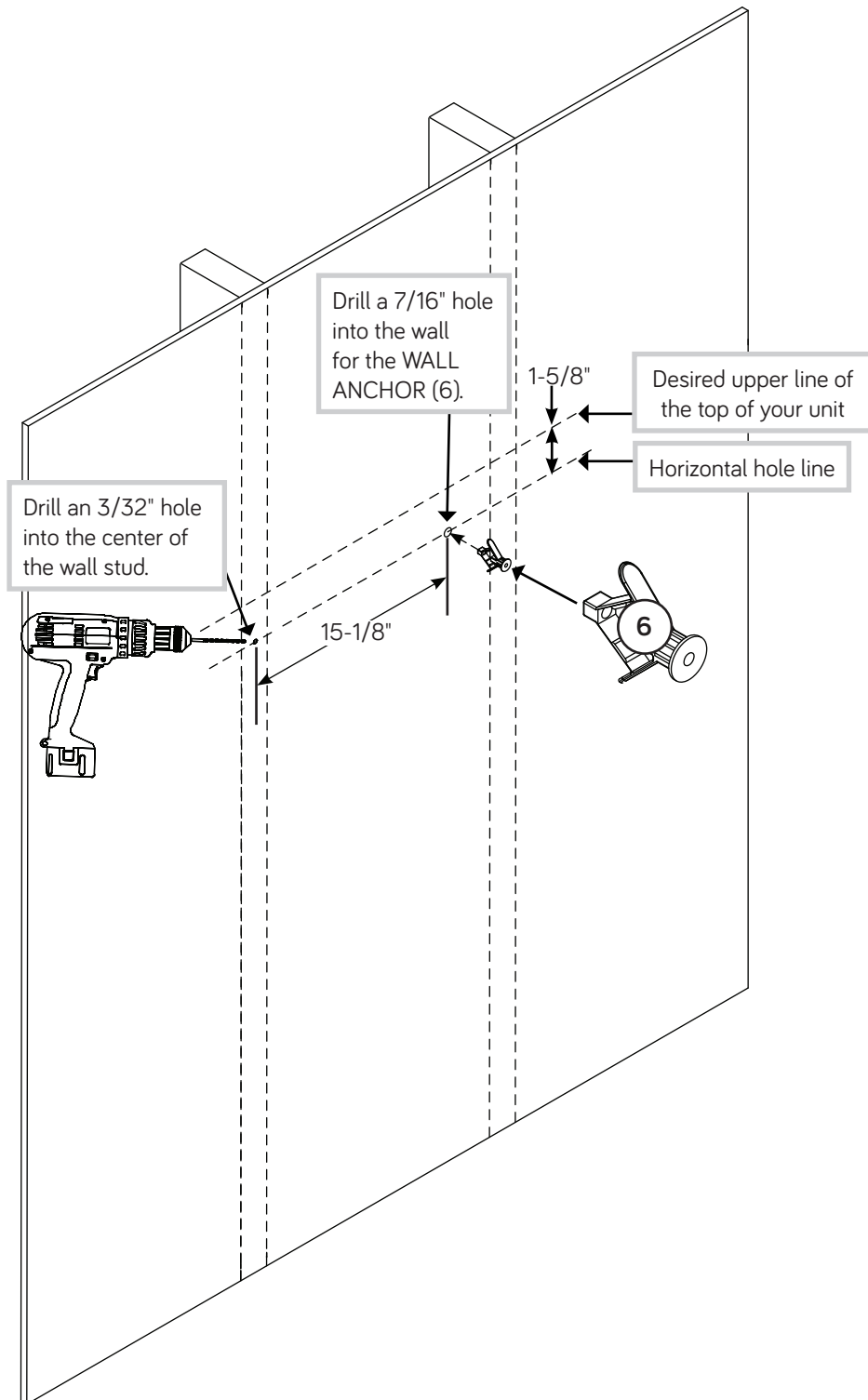
# Step 10

- ✚ You must fasten your unit to one wall stud and one WALL ANCHOR (6).
  - ✚ **1.** You will need to locate a stud in your wall to fasten your unit. Determine the desired height of unit on your wall and move 1-5/8" downward on the center line of the wall stud. Mark this location on your wall as shown below.
  - ✚ **2.** The second mark will be for the WALL ANCHOR (6). This hole should be 15-1/8" horizontally from the first mark in part 1. To do this, place a level onto a horizontal straight edge from your wall stud mark to the second hole location for the WALL ANCHOR. Mark this location onto the wall as shown below.
- ✚ **NOTE:** Be sure the two marks are level before going to the next step.



# Step 11

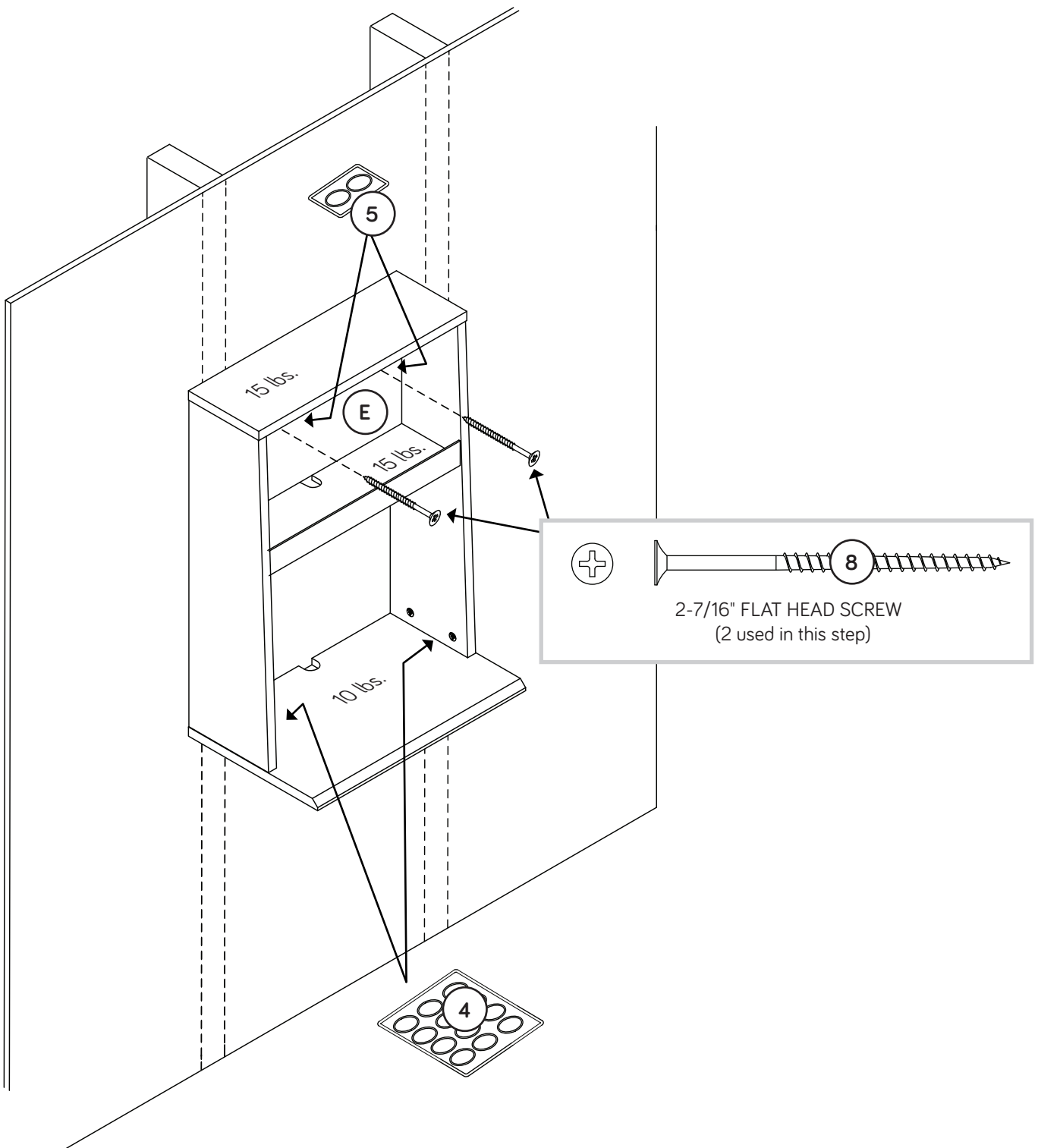
- ✚ On the marks, drill a  $\frac{3}{32}$ " hole in the center of a wall stud and a  $\frac{7}{16}$ " hole in your wall for the WALL ANCHOR (6).
- ✚ Next, push the wings of the WALL ANCHOR (6) together, while inserting the WALL ANCHOR into the  $\frac{7}{16}$ " hole until it is even with the surface of the wall.





# Step 12

- ✦ With the help of another person, fasten your unit to the wall. Use two 2-7/16" FLAT HEAD SCREWS (8) into the wall stud and into the WALL ANCHOR.
- ✦ Peel BLACK APPLIQUES from the BLACK APPLIQUE CARD (4) and stick them onto each visible HIDDEN CAM.
- ✦ Peel WHITE APPLIQUES from the WHITE APPLIQUE CARD (5) and stick them onto the screw heads in the BACK (E).
- ✦ NOTE: Please read the back pages of the instruction booklet for important safety information.
- ✦ This completes assembly. Clean with a damp cloth. Wipe dry.



**⚠ WARNING**

Please use your furniture correctly and safely. Improper use can cause safety hazards, or damage to your furniture or household items. ***Carefully read the following chart.***

| Look out for:  | What can happen:   | How to avoid the problem:   |
|--|--|---|
| <ul style="list-style-type: none"><li>• Properly mounting the cabinet to the wall.</li></ul> | <ul style="list-style-type: none"><li>• If not properly mounted, the cabinet can tip over and cause injury and damage.</li></ul> | <ul style="list-style-type: none"><li>• Carefully review and follow the mounting instructions contained in this manual.</li></ul> |
| <ul style="list-style-type: none"><li>• Overloaded furniture.</li></ul>                      | <ul style="list-style-type: none"><li>• Risk of injury.</li><li>• Overloaded furniture can break.</li></ul>                      | <ul style="list-style-type: none"><li>• Never exceed the weight limits shown in the instructions.</li></ul>                       |