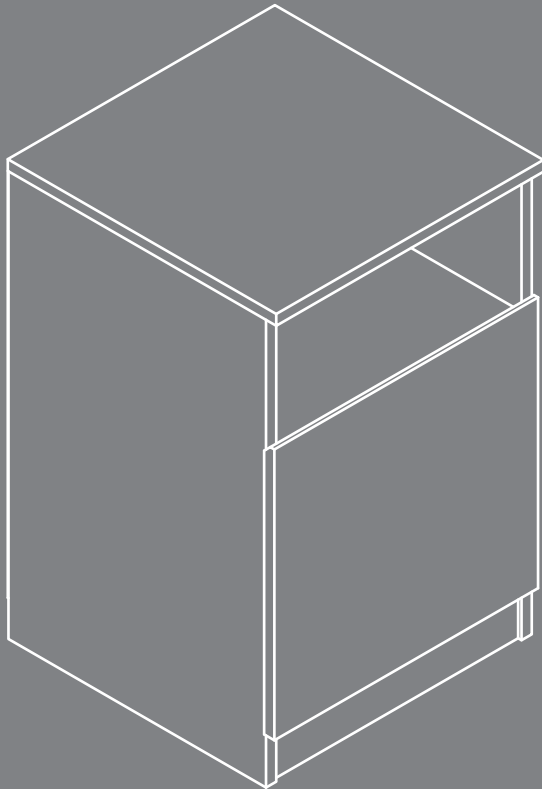


Teknik

www.teknikoffice.co.uk

It **stands**. You sleep.



Hudson Beside Night Stand

Model 5425825

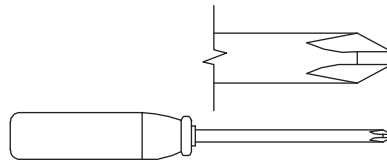
NOTE: THIS INSTRUCTION BOOKLET CONTAINS **IMPORTANT** SAFETY INFORMATION.

PLEASE READ AND KEEP FOR FUTURE REFERENCE.

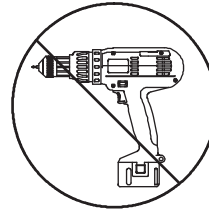
Table of Contents

Assembly Tools Required

Part Identification	3
Hardware Identification	4
Assembly Steps	5-15
Français	16-18
Español	19-21
Safety	22
Warranty	23



No. 2 Phillips Screwdriver
Tip Shown Actual Size



Skip the power trip.
This time.

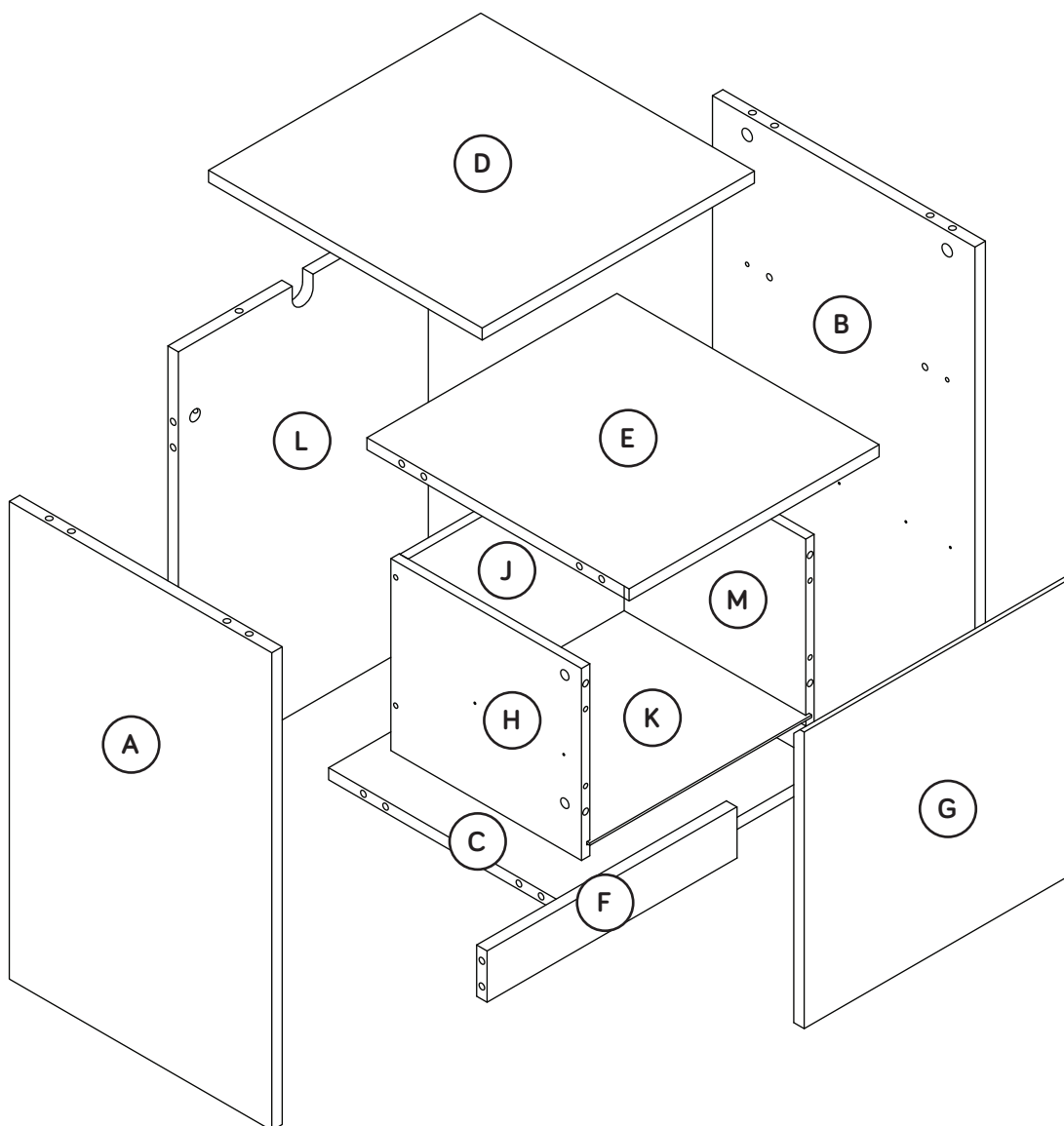
Part Identification

Now you know
our ABCs.



⚡ While not all parts are labeled, some of the parts will have a label or an inked letter on the edge to help distinguish similar parts from each other. Use this part identification to help identify similar parts.

A	LEFT END (1)	E	SHELF (1)	J	DRAWER BACK (1)
B	RIGHT END (1)	F	SKIRT (1)	K	DRAWER BOTTOM (1)
C	BOTTOM (1)	G	DRAWER FRONT (1)	L	BACK (1)
D	TOP (1)	H	LEFT DRAWER SIDE (1)	M	RIGHT DRAWER SIDE (1)

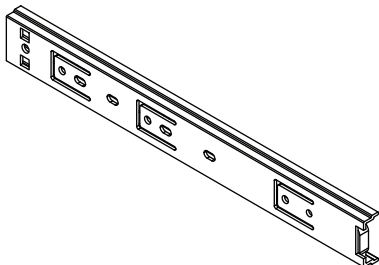


Hardware Identification

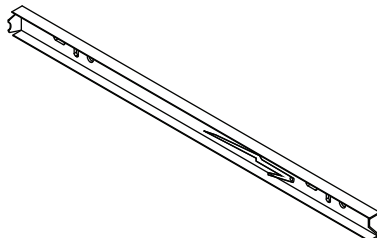
† Screws are shown actual size. You may receive extra hardware with your unit.

(EXTENSION SET SHOWN SEPARATED)

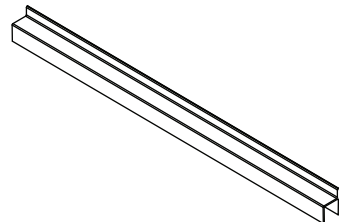
1 EXTENSION RAIL - 2



2 EXTENSION SLIDE - 2



3 FILE GLIDE - 2



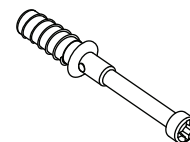
4 LARGE HIDDEN CAM - 18



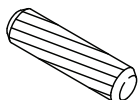
5 SMALL HIDDEN CAM - 4



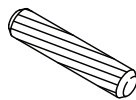
6 CAM SCREW - 22



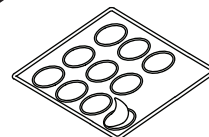
7 LARGE WOOD DOWEL - 20



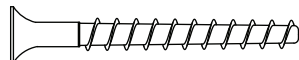
8 SMALL WOOD DOWEL - 8



9 APPLIQUE - 10



10 SILVER 1-1/2" FLAT HEAD SCREW - 4



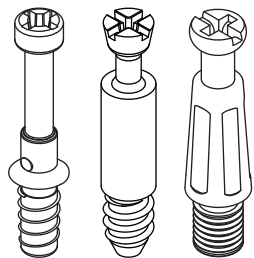
11 SILVER 3/8" FLAT HEAD SCREW - 10



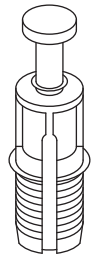
Hardware Usage Guide

HOW TO USE A HIDDEN CAM & CAM SCREW OR CAM DOWEL

1. NOTE: Various CAM SCREWS or a CAM DOWEL may be used.

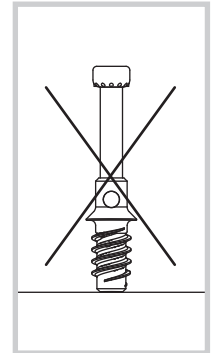
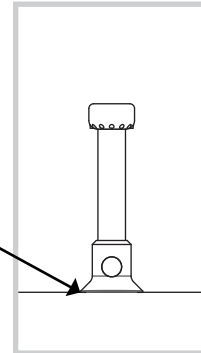


Cam Screws

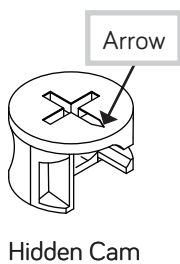


Cam Dowel

Turn the CAM SCREW or gently tap the CAM DOWEL until the shoulder is against the surface of the part.

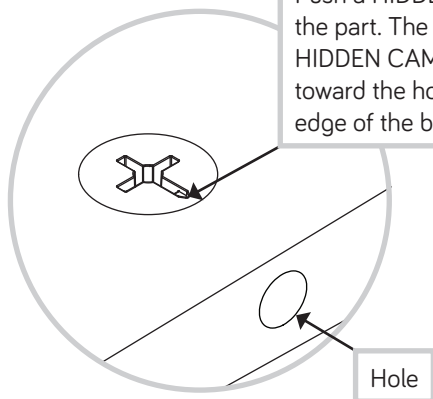


2.



Arrow

Hidden Cam

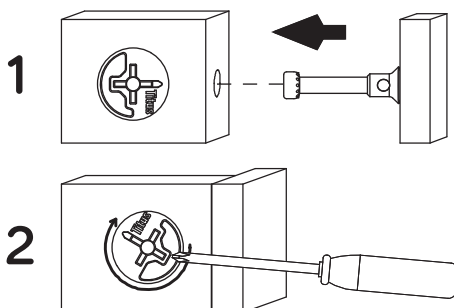


Push a HIDDEN CAM into the part. The arrow in the HIDDEN CAM must point toward the hole in the edge of the board.

Hole

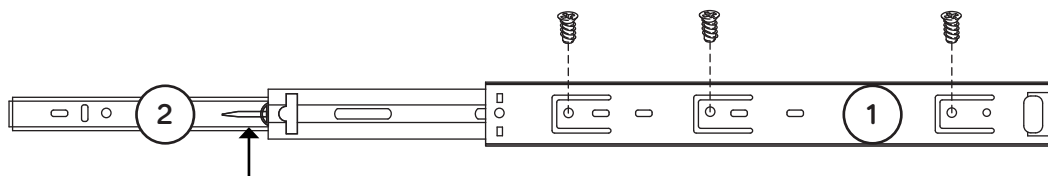
3.

Insert the CAM SCREW or CAM DOWEL into the HIDDEN CAM. Tighten the HIDDEN CAM.

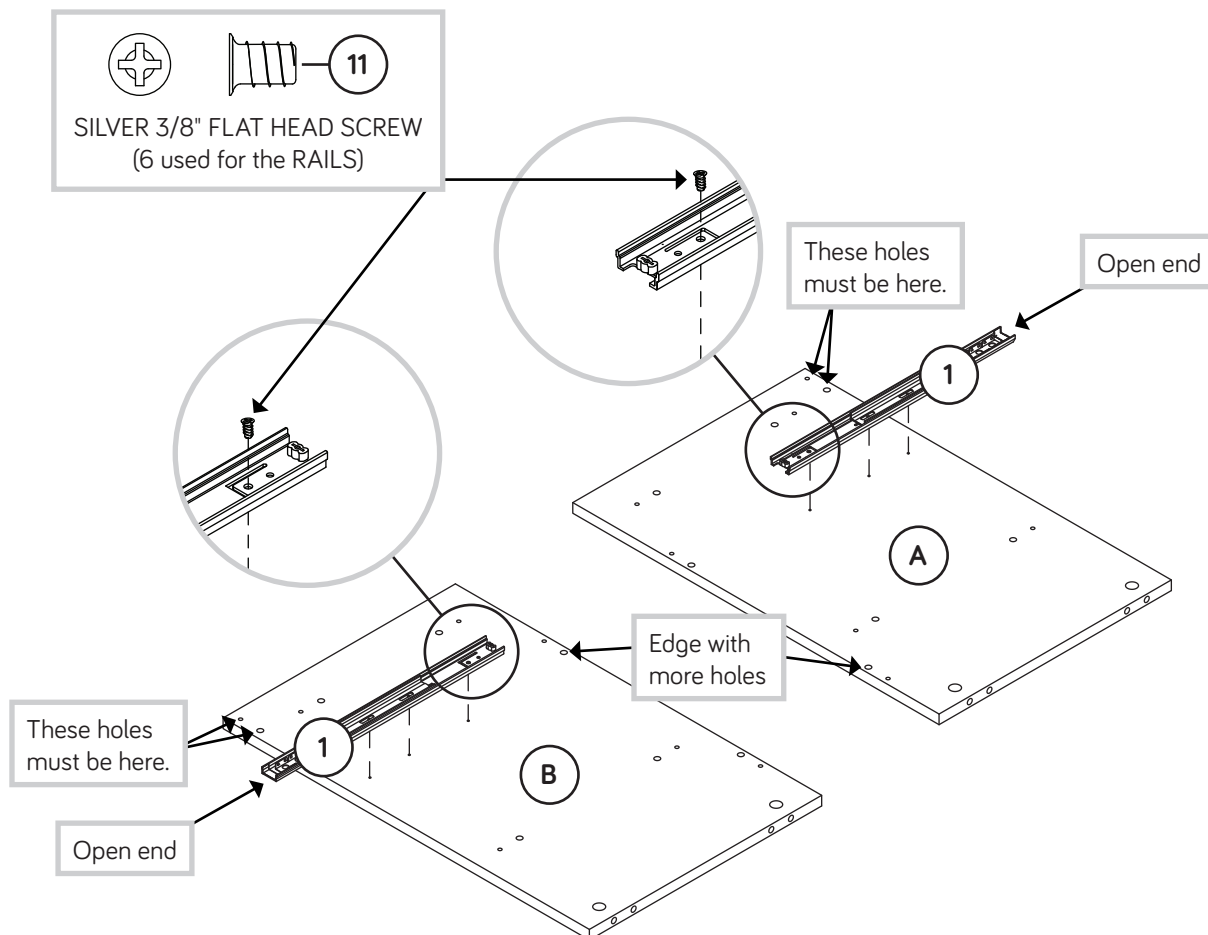


Step 1

- ✚ Assemble your unit on a carpeted floor or on the empty carton to avoid scratching your unit or the floor.
- ✚ Separate the EXTENSION SLIDES (2) from the EXTENSION RAILS (1) as shown in the upper diagram below. Be prepared, the parts are greasy.
- ✚ Fasten the EXTENSION RAILS (1) to the ENDS (A and B). Use six SILVER 3/8" FLAT HEAD SCREWS (11) in the exact holes shown in the upper diagram below.
- ✚ **NOTE:** For each EXTENSION RAIL, turn a SCREW into the hole shown in the enlarged diagram. Then, slide the inner cartridge of the EXTENSION RAIL in to find the other holes that line up with the holes in the END. Turn a SCREW into these holes.
- ✚ **NOTE:** The EXTENSION SLIDES will be used later for the DRAWER.



Push the release lever up or down and pull the SLIDE from the RAIL.

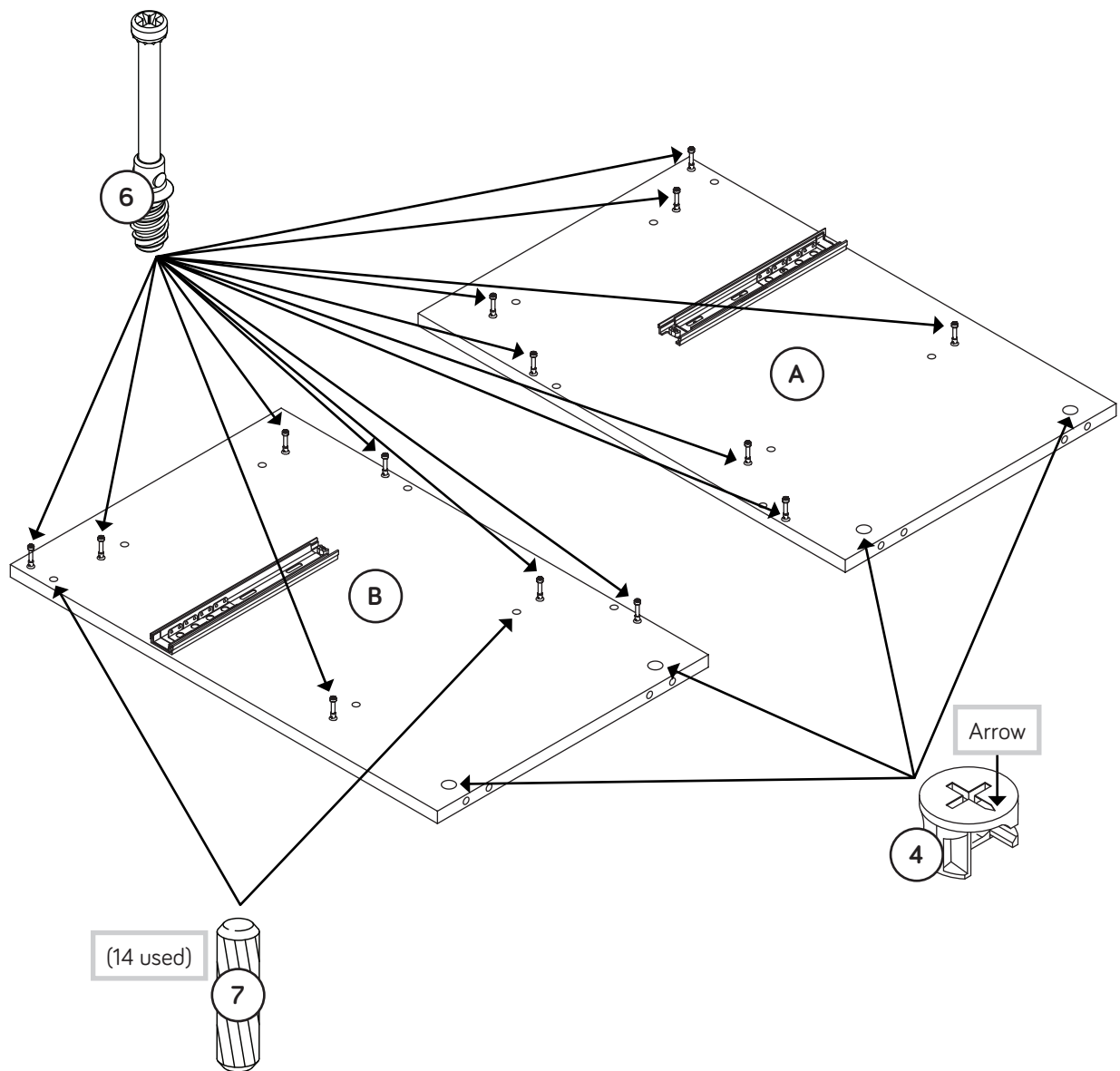


Step 2

- ✚ Push four LARGE HIDDEN CAMS (4) into the ENDS (A and B).
- ✚ Turn fourteen CAM SCREWS (6) into the exact holes shown in the ENDS (A and B).
- ✚ Then, insert fourteen LARGE WOOD DOWELS (7) into the remaining holes in the ENDS (A and B).

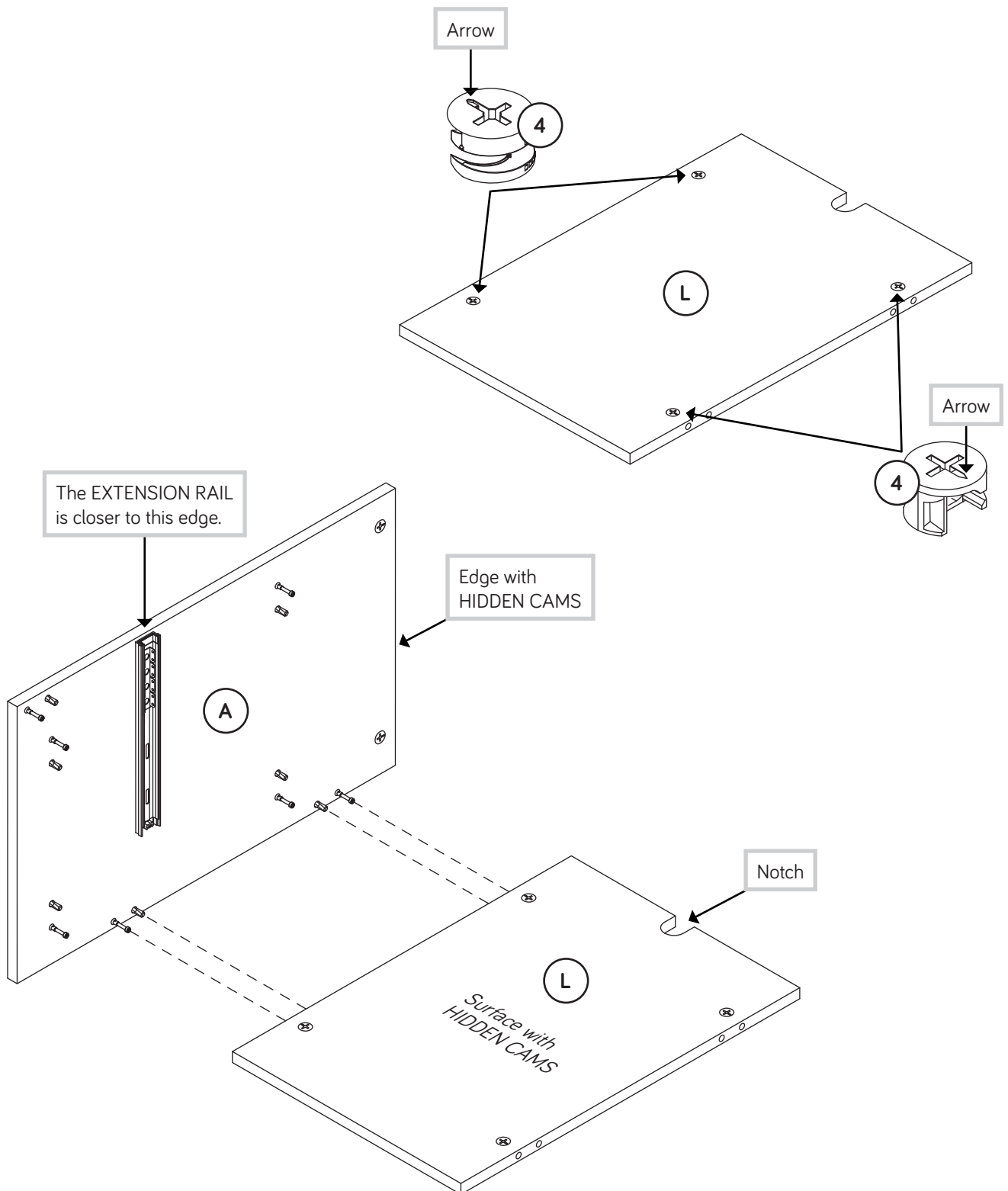


Just think. The sooner you do this, the sooner you do something else.



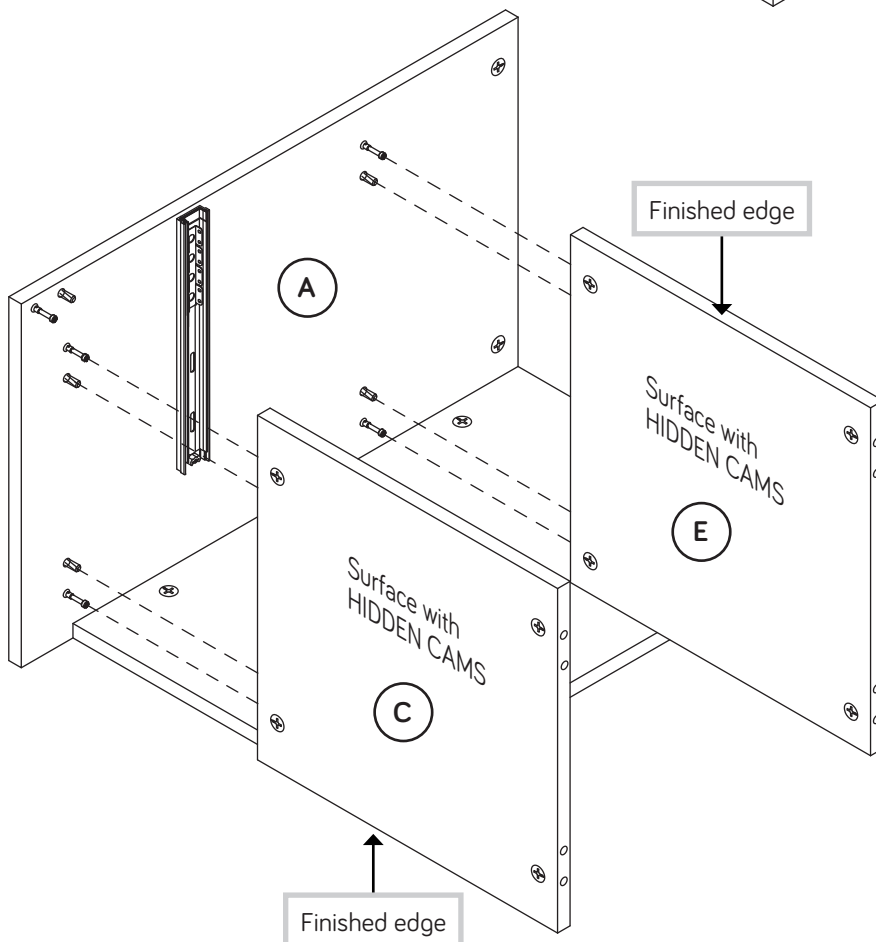
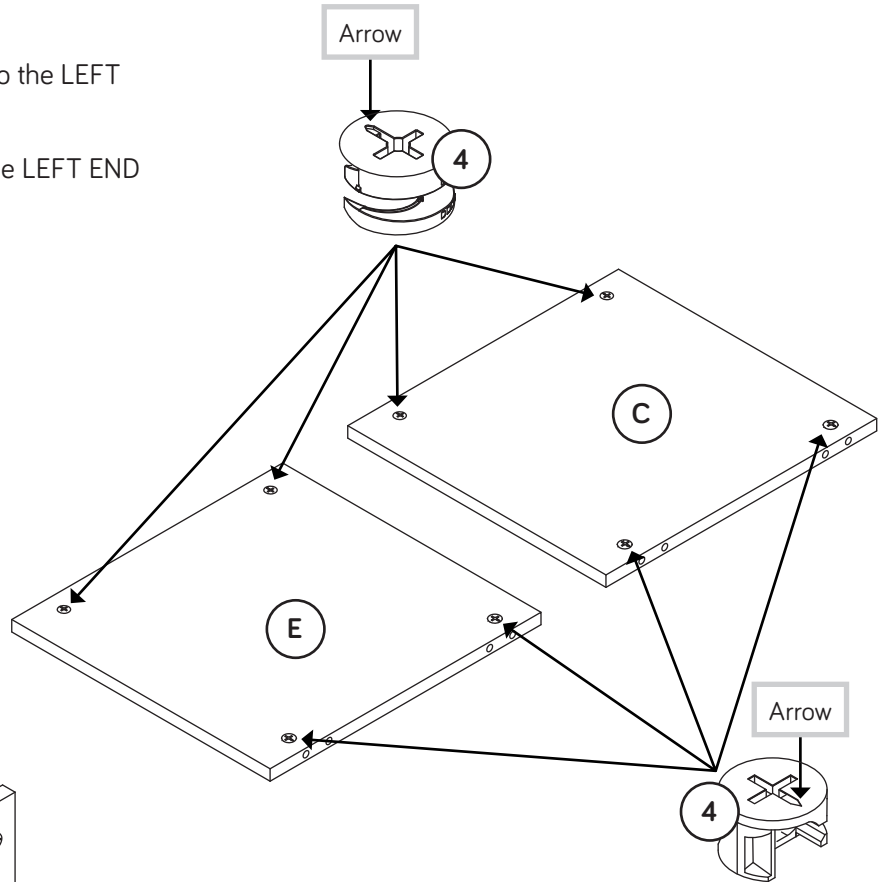
Step 3

- ✚ Push four LARGE HIDDEN CAMS (4) into the BACK (L).
- ✚ Fasten the BACK (L) to the LEFT END (A). Tighten two HIDDEN CAMS.
- ✚ NOTE: Be sure the WOOD DOWELS in the LEFT END insert into the BACK.



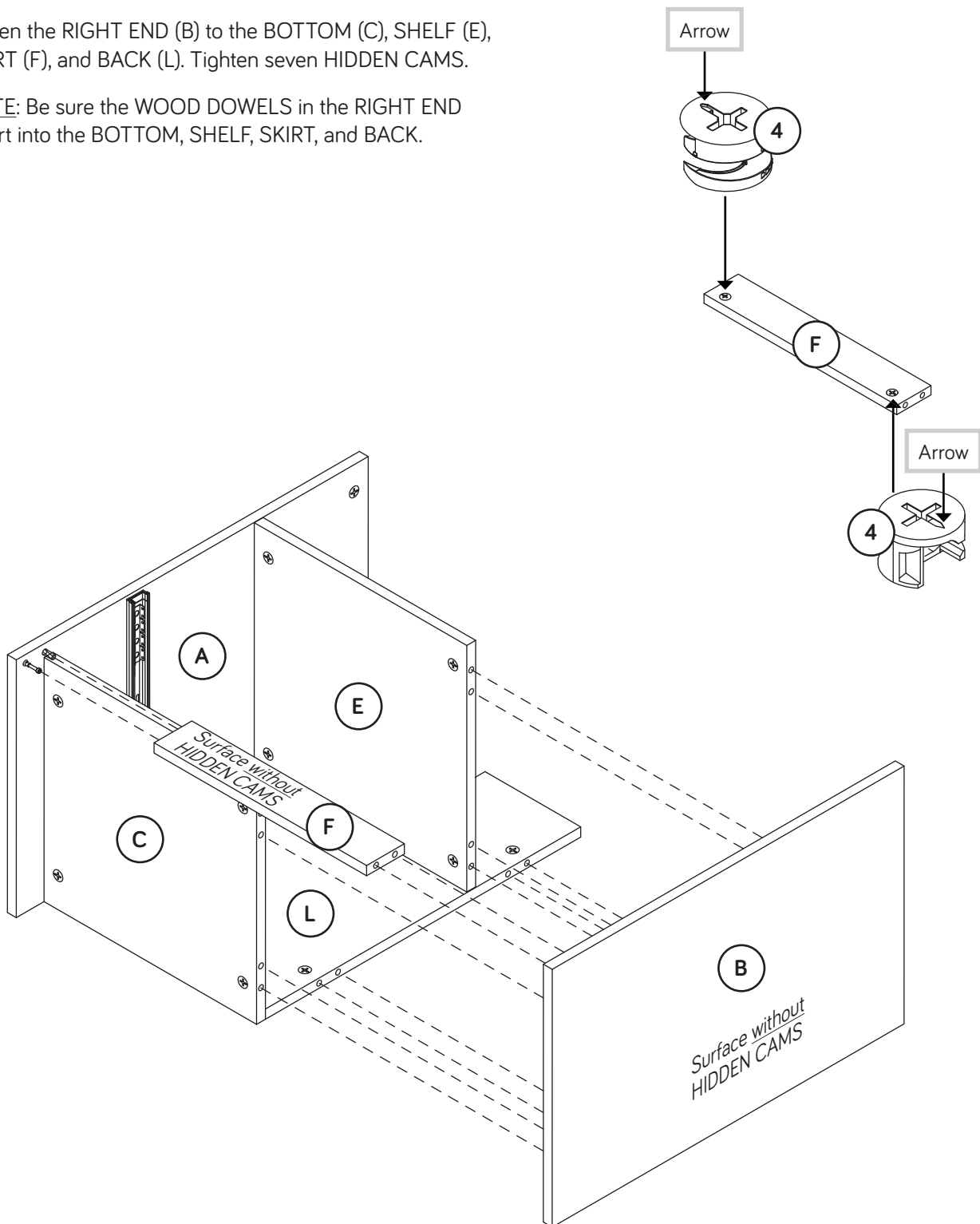
Step 4

- ✚ Push eight LARGE HIDDEN CAMS (4) into the BOTTOM (C) and SHELF (E).
- ✚ Fasten the BOTTOM (C) and SHELF (E) to the LEFT END (A). Tighten four HIDDEN CAMS.
- ✚ NOTE: Be sure the WOOD DOWELS in the LEFT END insert into the BOTTOM and SHELF.



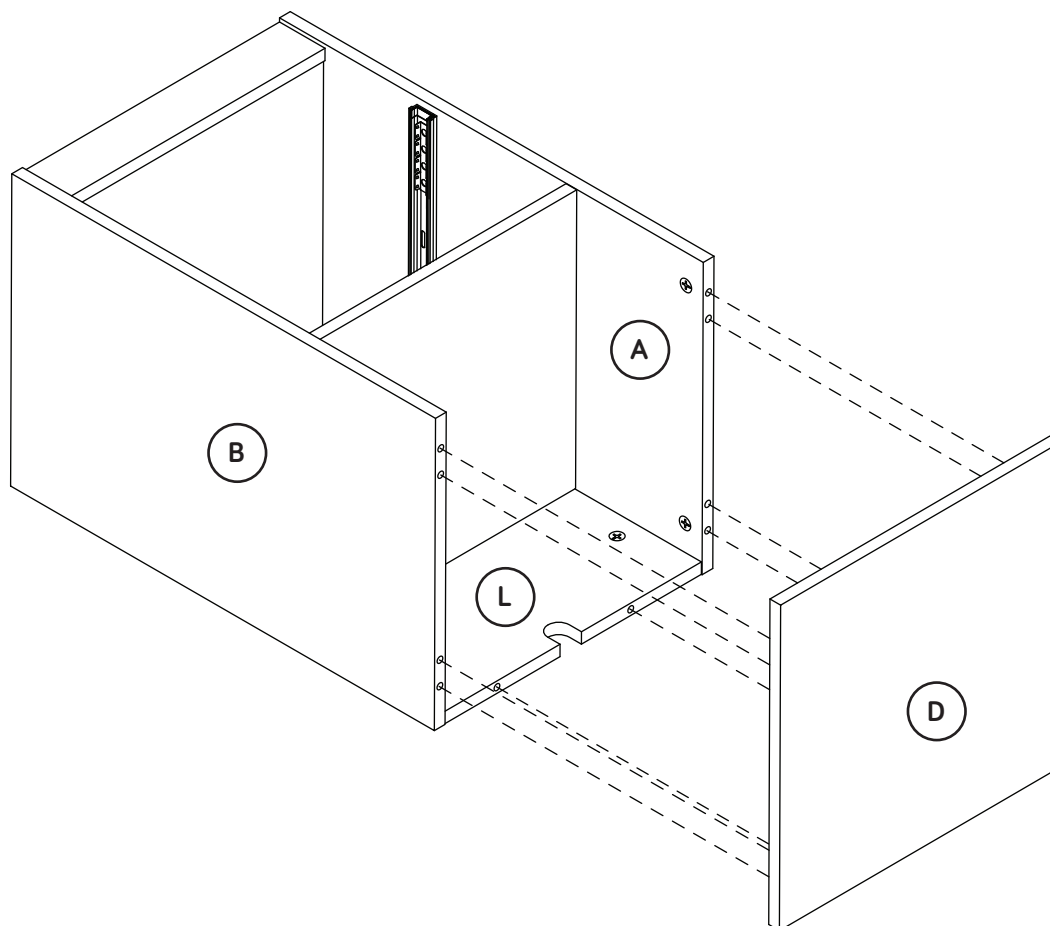
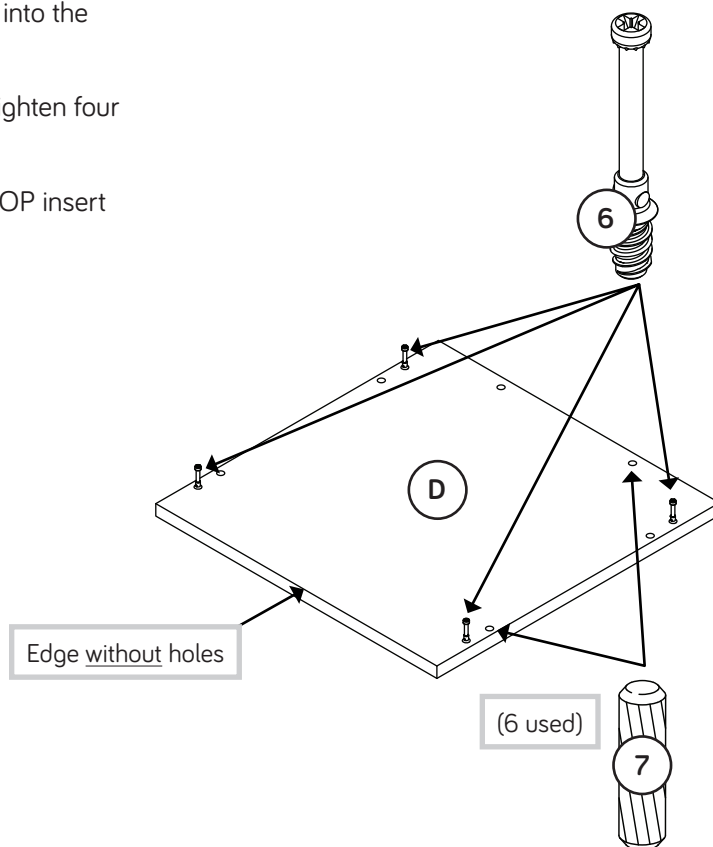
Step 5

- ✚ Push two LARGE HIDDEN CAMS (4) into the SKIRT (F).
- ✚ Fasten the SKIRT (F) to the LEFT END (A). Tighten one HIDDEN CAM.
- ✚ NOTE: Be sure the WOOD DOWEL in the LEFT END inserts into the SKIRT.
- ✚ Fasten the RIGHT END (B) to the BOTTOM (C), SHELF (E), SKIRT (F), and BACK (L). Tighten seven HIDDEN CAMS.
- ✚ NOTE: Be sure the WOOD DOWELS in the RIGHT END insert into the BOTTOM, SHELF, SKIRT, and BACK.



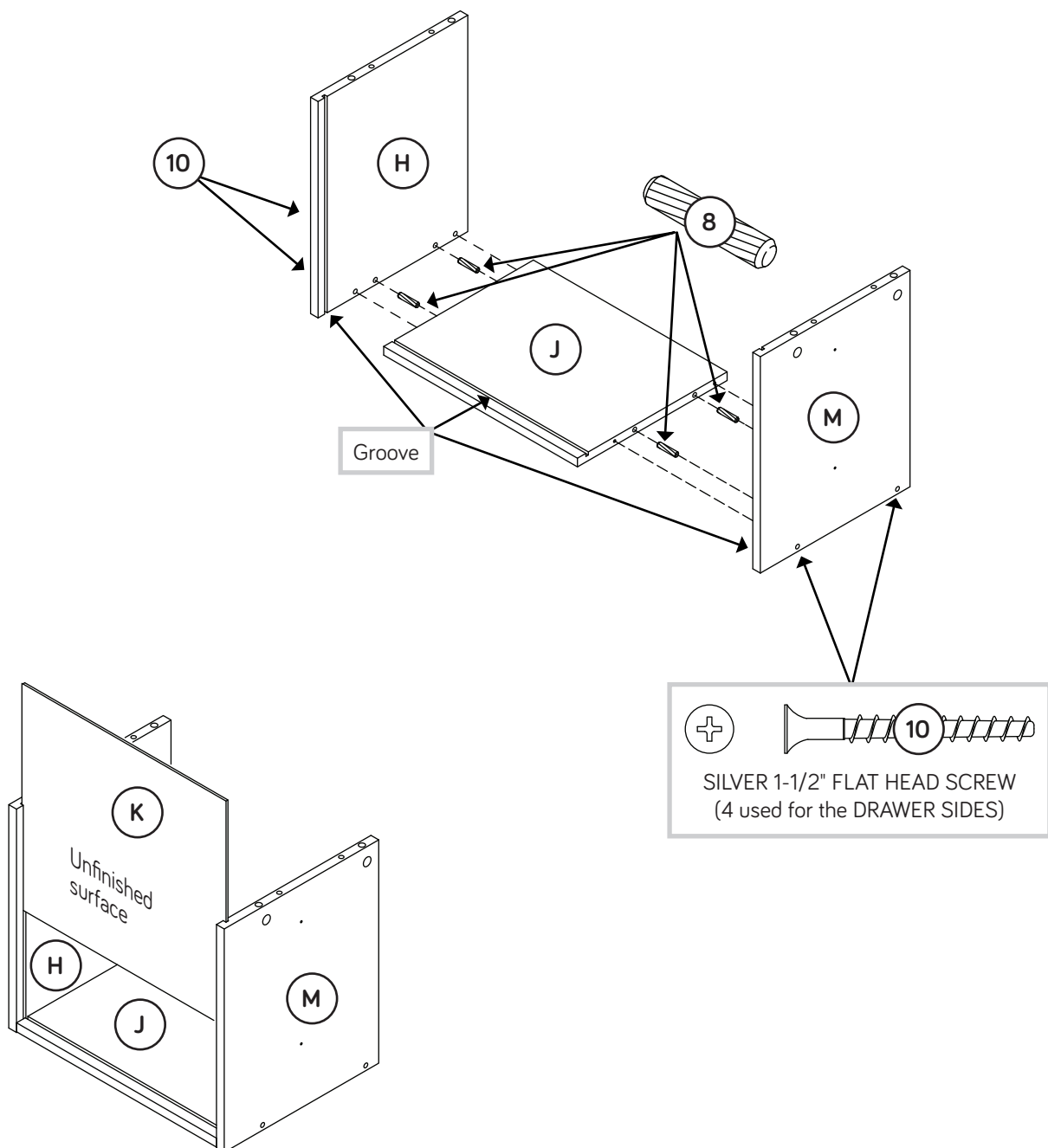
Step 6

- First, turn four CAM SCREWS (6) into the exact holes shown in the TOP (D).
- Then, insert six LARGE WOOD DOWELS (7) into the remaining holes in the TOP (D).
- Fasten the TOP (D) to the ENDS (A and B). Tighten four HIDDEN CAMS.
- NOTE:** Be sure the WOOD DOWELS in the TOP insert into the ENDS and BACK (L).



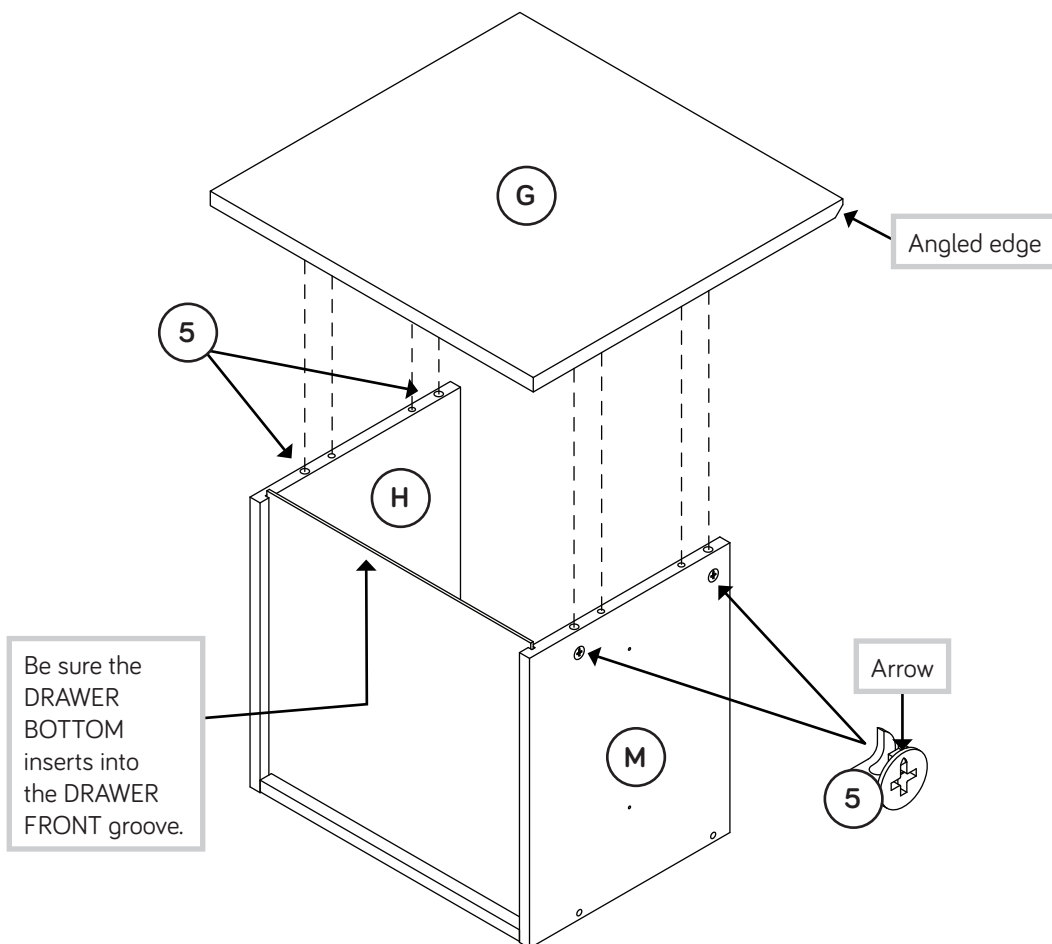
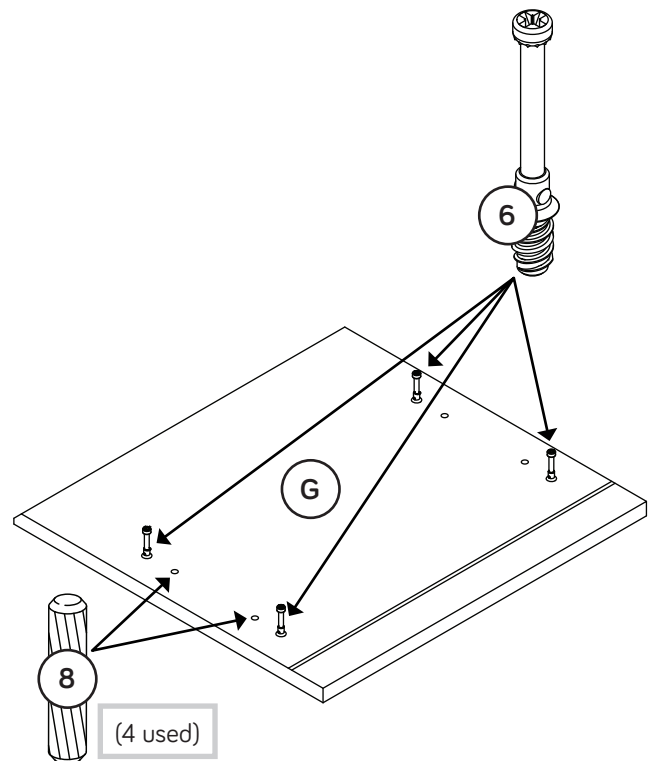
Step 7

- ✚ Insert four SMALL WOOD DOWELS (8) into the center holes in the short edges of the DRAWER BACK (J).
- ✚ Fasten the DRAWER SIDES (H and M) to the DRAWER BACK (J). Use four SILVER 1-1/2" FLAT HEAD SCREWS (10).
- ✚ Slide the DRAWER BOTTOM (K) into the grooves in the DRAWER SIDES (H and M) and DRAWER BACK (J).



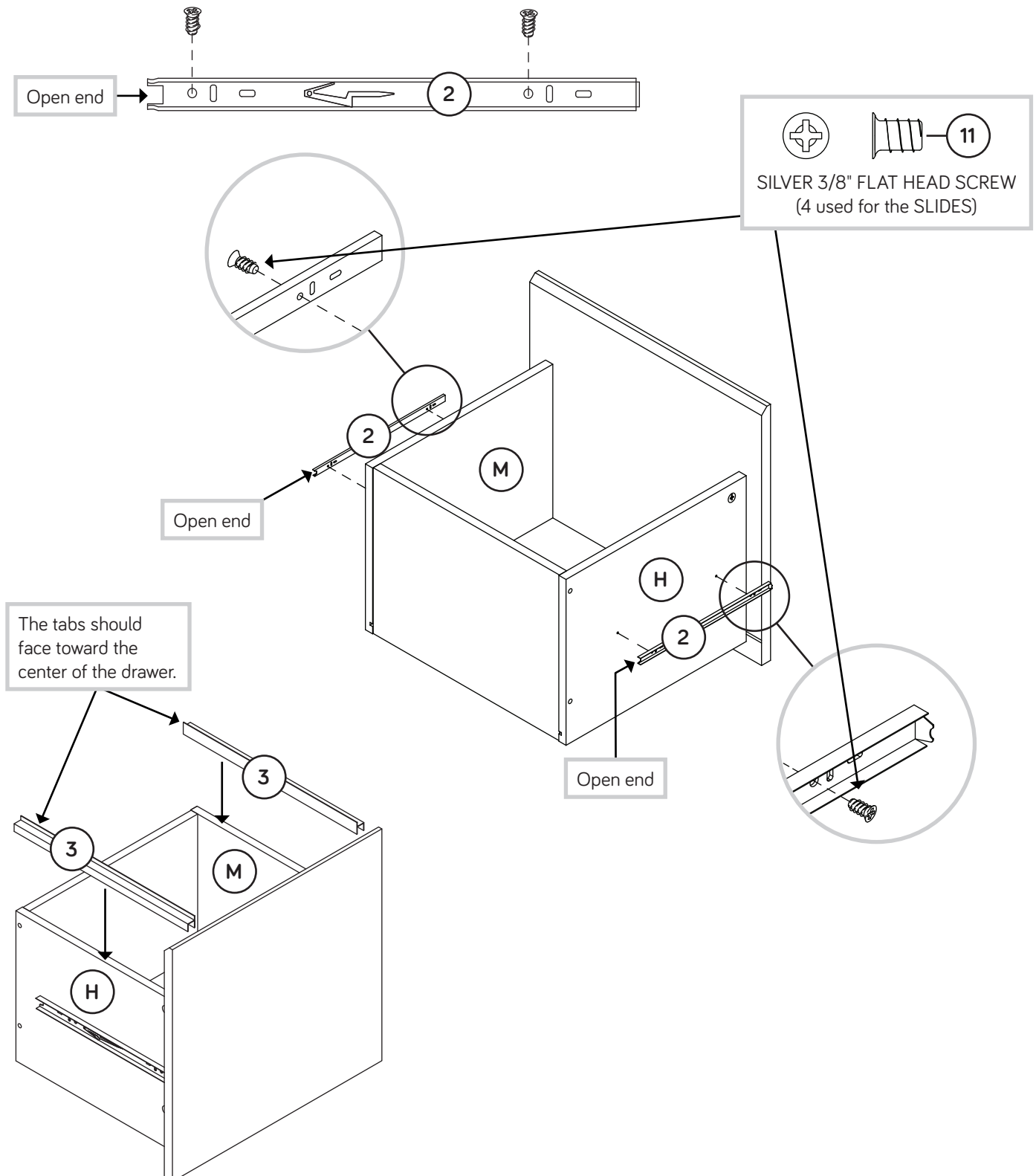
Step 8

- First, turn four CAM SCREWS (6) into the exact holes shown in the DRAWER FRONT (G).
- Then, insert four SMALL WOOD DOWELS (8) into the remaining holes in the DRAWER FRONT (G).
- Push four SMALL HIDDEN CAMS (5) into the DRAWER SIDES (H and M).
- Fasten the DRAWER FRONT (G) to the DRAWER SIDES (H and M). Tighten four HIDDEN CAMS.
- NOTE:** Be sure the WOOD DOWELS in the DRAWER FRONT insert into the DRAWER SIDES.



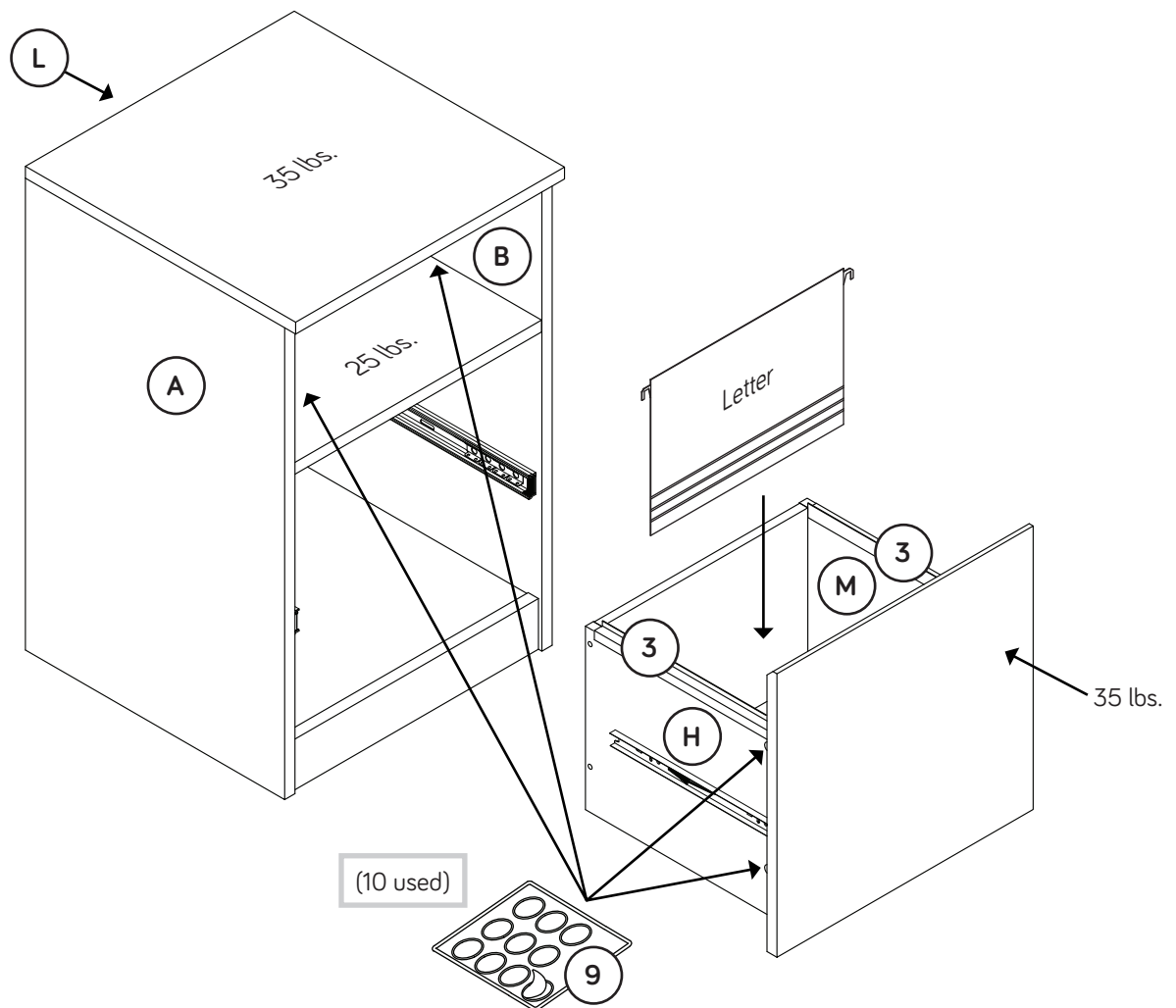
Step 9

- Fasten the EXTENSION SLIDES (2) to the DRAWER SIDES (H and M). Use four SILVER 3/8" FLAT HEAD SCREWS (11) in the exact holes shown in the upper diagram below.
- Push the FILE GLIDES (3) onto the DRAWER SIDES (H and M).



Step 10

- ✦ Carefully stand your unit upright.
- ✦ Peel the APPLIQUES (9) from the card and stick them onto each visible HIDDEN CAM in the ENDS (A and B), the upper two HIDDEN CAMS in the BACK (L), and the DRAWER SIDES (H and M).
- ✦ To insert a drawer into your unit, line up the EXTENSION SLIDES on the drawer with the EXTENSION RAILS on the unit and push the drawer into the unit until the drawer is fully inserted. The drawer will push in hard until it is all the way in, then it will slide in and out easier.
- ✦ Hang your letter files on the FILE GLIDES (3) as shown.
- ✦ NOTE: Please read the back pages of the instruction booklet for important safety information.
- ✦ This completes assembly. Clean with a damp cloth. Wipe dry.



⚠ WARNING

Please use your furniture correctly and safely. Improper use can cause safety hazards, or damage to your furniture or household items. ***Carefully read the following chart.***

Look out for:	What can happen:	How to avoid the problem:
<ul style="list-style-type: none">• Overloaded drawers or shelves.	<ul style="list-style-type: none">• Risk of injury.• Top-heavy furniture can tip over.• Overloaded drawers or shelves can break.	<ul style="list-style-type: none">• Never exceed the weight limits shown in the instructions.• Work from bottom to top when loading shelves and drawers. Place the heavier items on the lower shelves or in lower drawers.
<ul style="list-style-type: none">• Placing TVs on furniture items that are not designed to support a television is hazardous.	<ul style="list-style-type: none">• Risk of injury or death. TVs can be very heavy. Plus the weight and location of the picture tube tends to make TVs unbalanced and prone to tipping forward.	<ul style="list-style-type: none">• This product is not designed to support a television.