

# Teknik

[www.teknikoffice.co.uk](http://www.teknikoffice.co.uk)

Don't get caught with your  
**pants** on the ground.

## Hudson 6 Drawer Dresser

Model 5425709

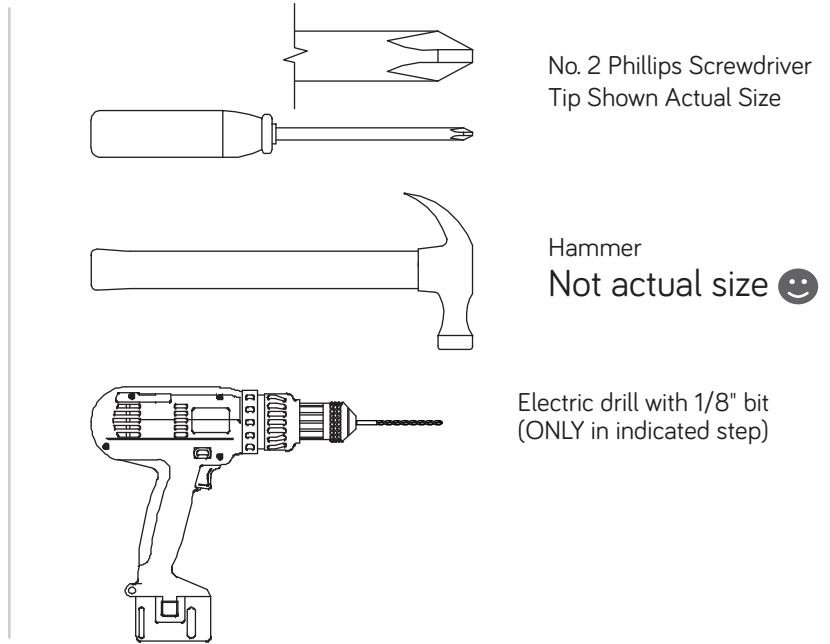
**NOTE:** THIS INSTRUCTION  
BOOKLET CONTAINS **IMPORTANT**  
SAFETY INFORMATION.

PLEASE READ AND KEEP FOR  
FUTURE REFERENCE.

# Table of Contents

# Assembly Tools Required

Part Identification	2-3
Hardware Identification	4
Assembly Steps	5-27
Français	28-31
Español	32-36
Safety	37-38
Warranty	39



# Part Identification

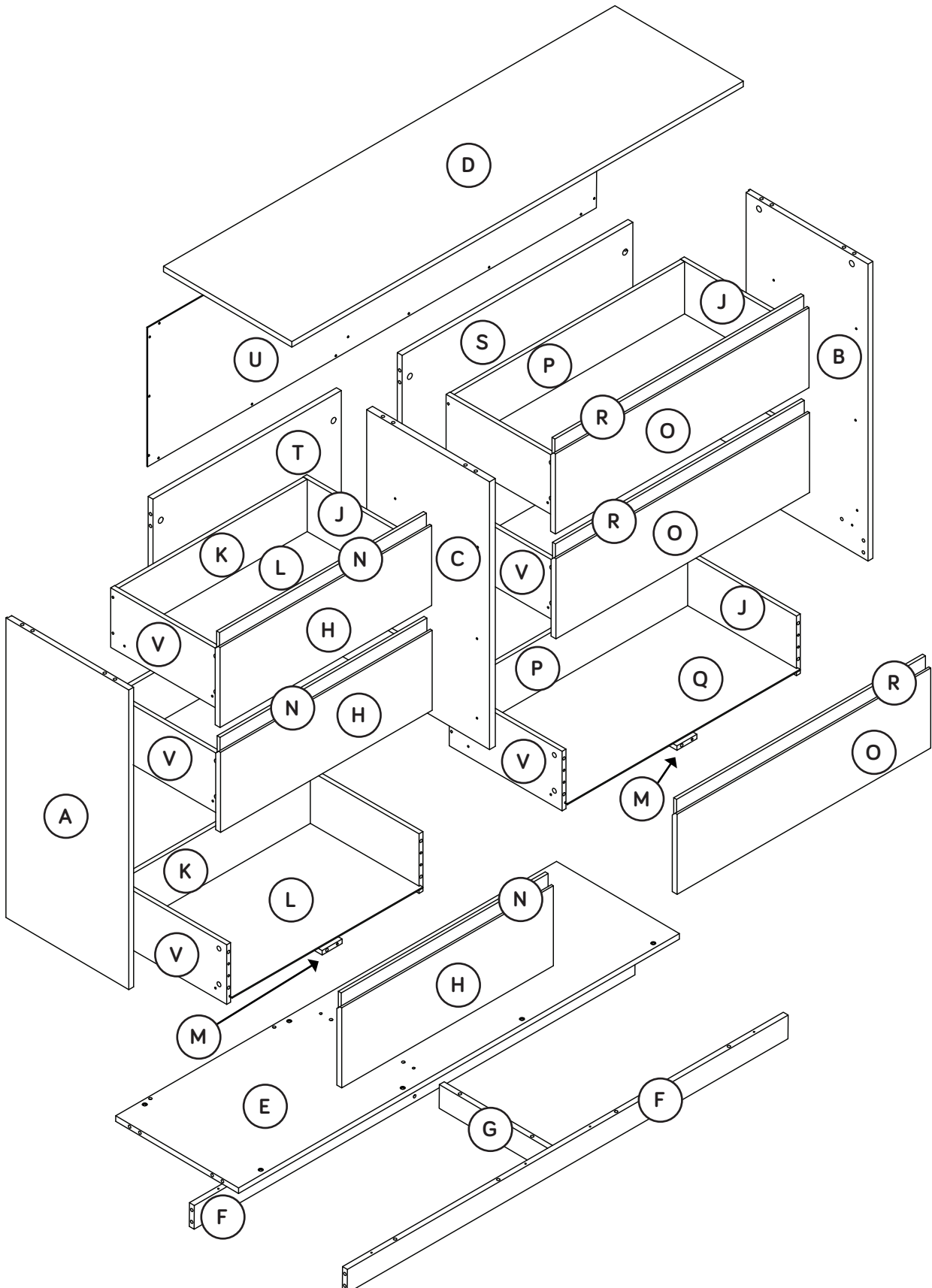
A	LEFT END (1)	J	RIGHT DRAWER SIDE (6)	Q	LARGE DRAWER BOTTOM (3)
B	RIGHT END (1)	K	SMALL DRAWER BACK (3)	R	LARGE DRAWER FRONT MOLDING (3)
C	UPRIGHT (1)	L	SMALL DRAWER BOTTOM (3)	S	RIGHT BACK (1)
D	TOP (1)	M	DRAWER BRACE (6)	T	LEFT BACK (1)
E	BOTTOM (1)	N	SMALL DRAWER FRONT MOLDING (3)	U	LARGE BACK (1)
F	SKIRT (2)	O	LARGE DRAWER FRONT (3)	V	LEFT DRAWER SIDE (6) 1 with label
G	BRACE (1)	P	LARGE DRAWER BACK (3)		
H	SMALL DRAWER FRONT (3)				

# Part Identification

Now you know  
our ABCs.

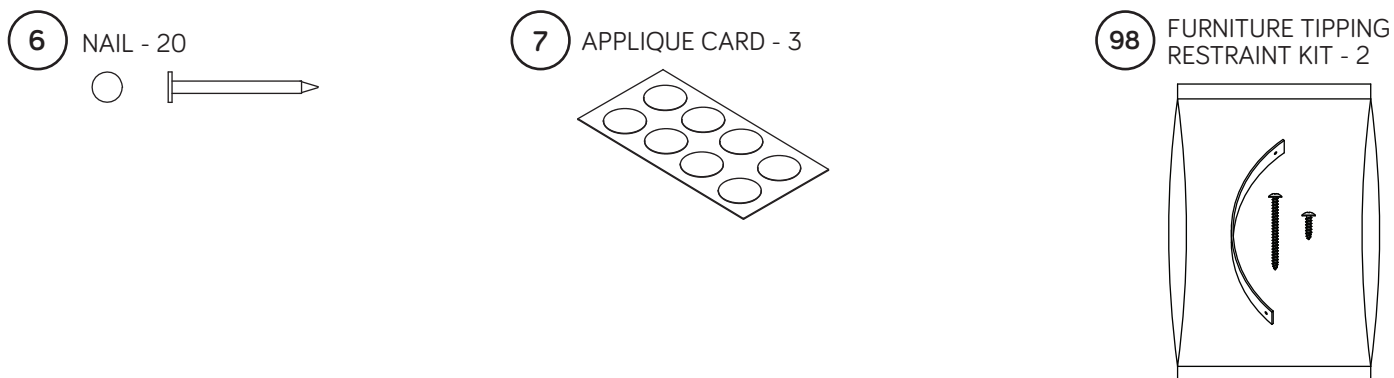
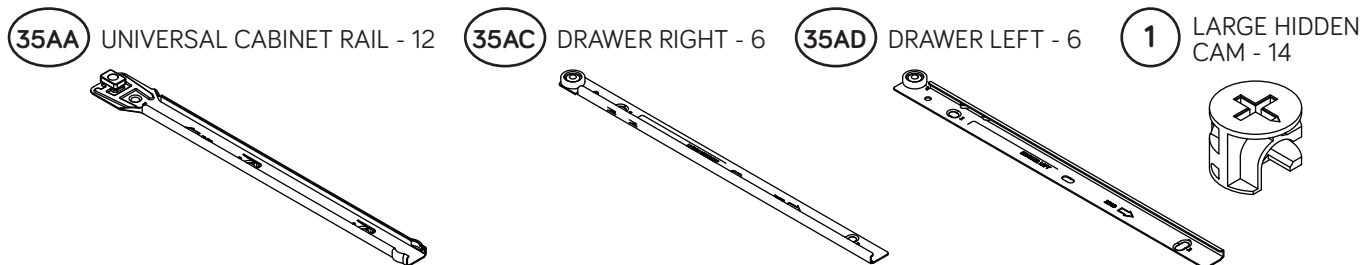


- While not all parts are labeled, some of the parts will have a label or an inked letter on the edge to help distinguish similar parts from each other. Use this part identification to help identify similar parts.



# Hardware Identification

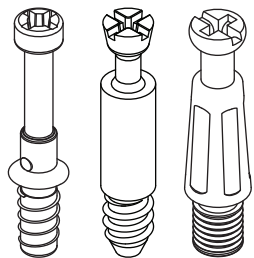
† Screws are shown actual size. You may receive extra hardware with your unit.



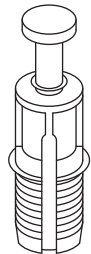
# Hardware Usage Guide

## HOW TO USE A HIDDEN CAM & CAM SCREW OR CAM DOWEL

1. NOTE: Various CAM SCREWS or a CAM DOWEL may be used.

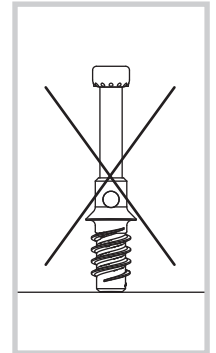
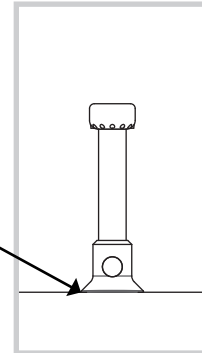


Cam Screws

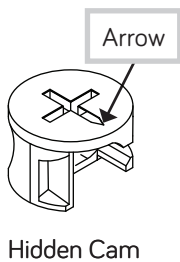


Cam Dowel

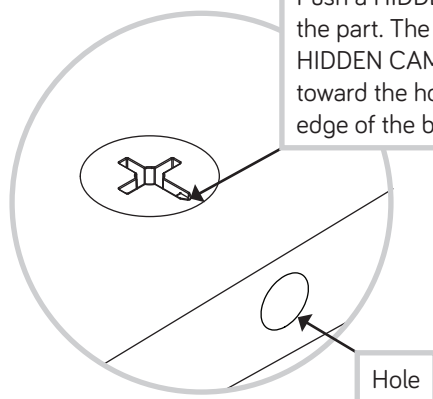
Turn the CAM SCREW or gently tap the CAM DOWEL until the shoulder is against the surface of the part.



2.



Hidden Cam

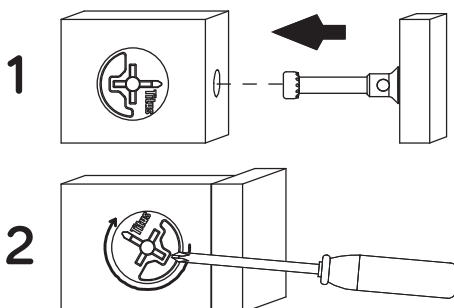


Push a HIDDEN CAM into the part. The arrow in the HIDDEN CAM must point toward the hole in the edge of the board.

Hole

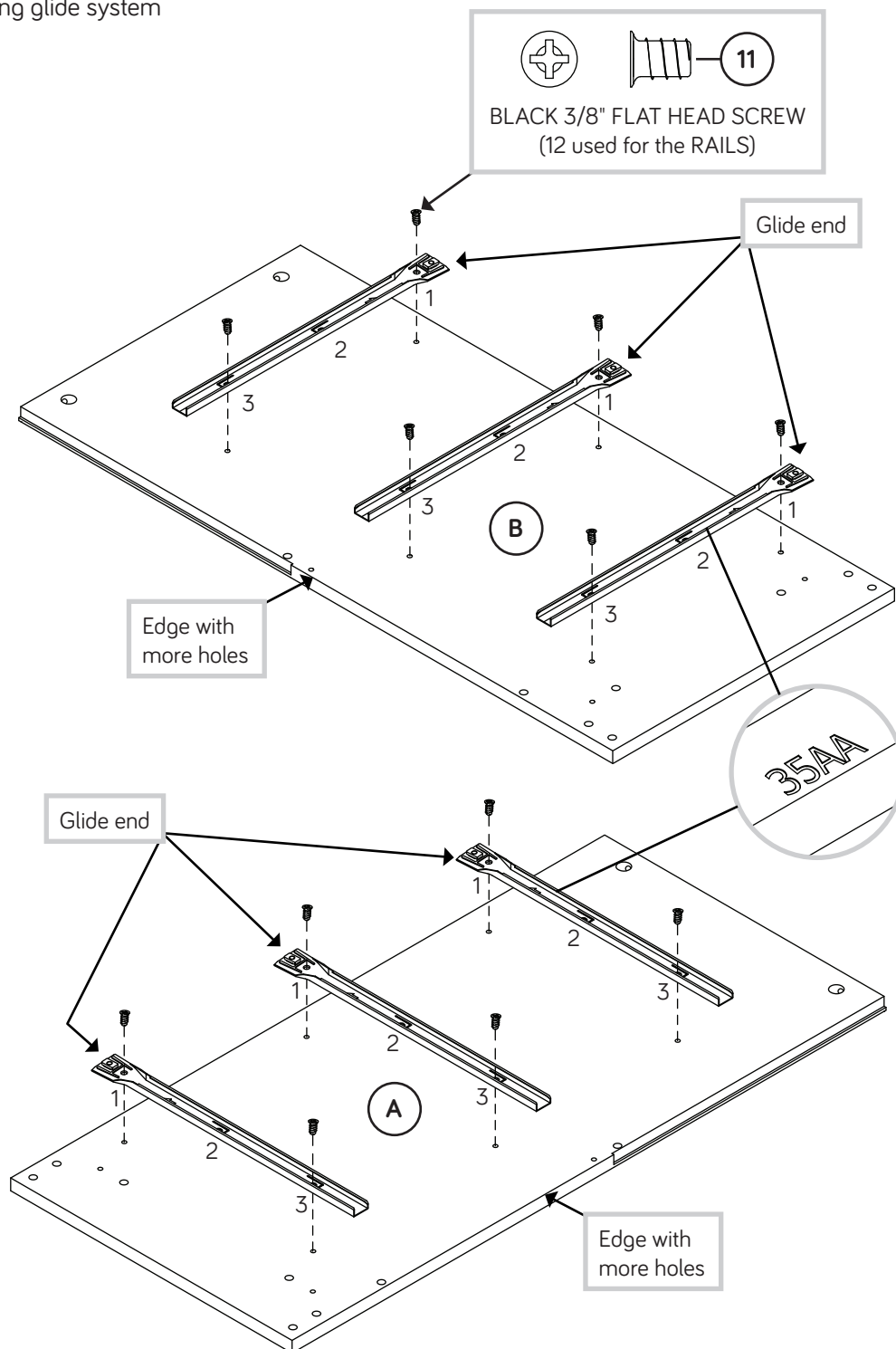
3.

Insert the CAM SCREW or CAM DOWEL into the HIDDEN CAM. Tighten the HIDDEN CAM.



# Step 1

- ✚ Assemble your unit on a carpeted floor or on the empty carton to avoid scratching your unit or the floor.
- ✚ Fasten six UNIVERSAL CABINET RAILS\* (35AA) to the ENDS (A and B). Use twelve BLACK 3/8" FLAT HEAD SCREWS (11) through holes #1 and #3.
- ✚ \*patent pending glide system

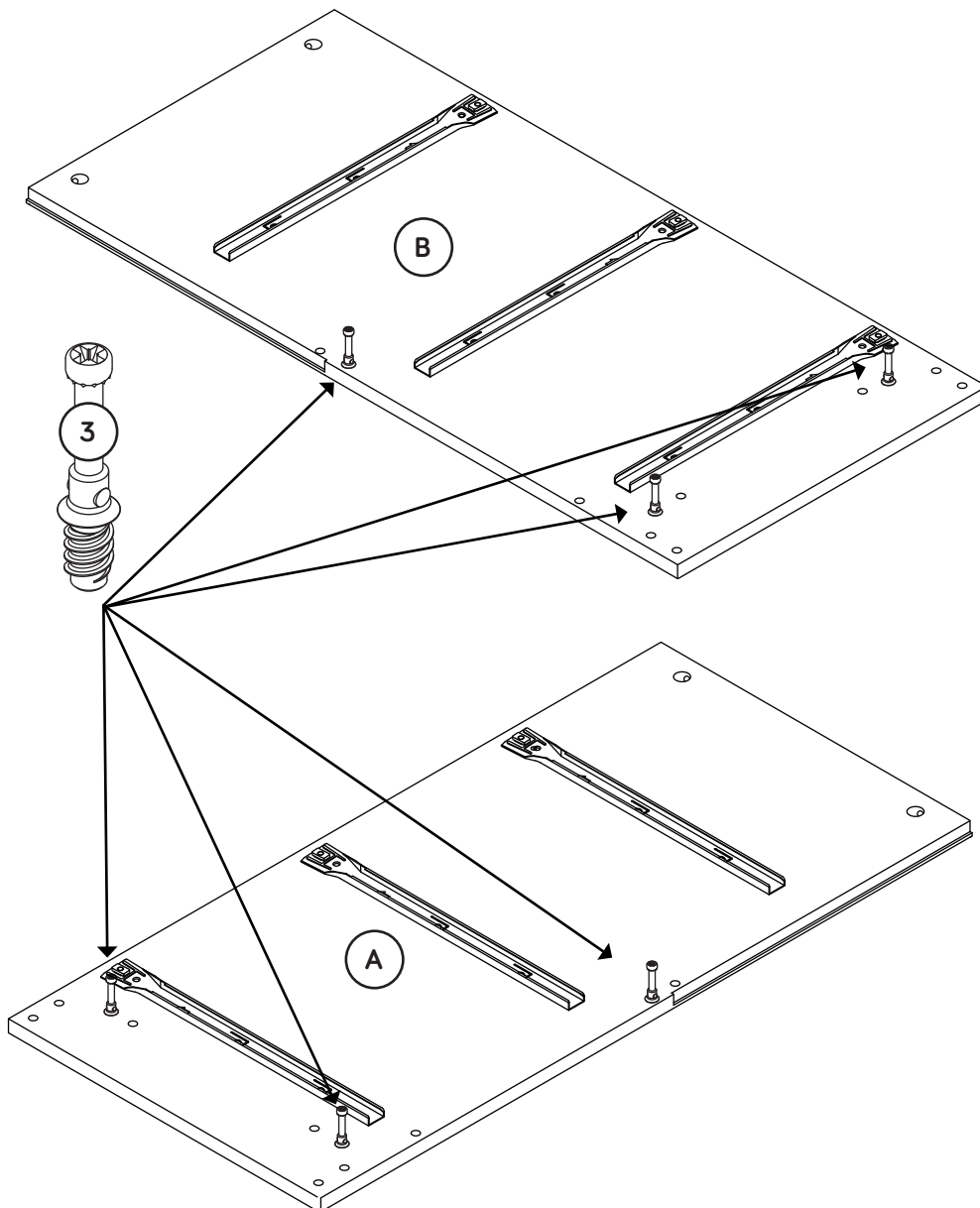


# Step 2

- Turn six CAM SCREWS (3) into the exact holes shown in the ENDS (A and B).

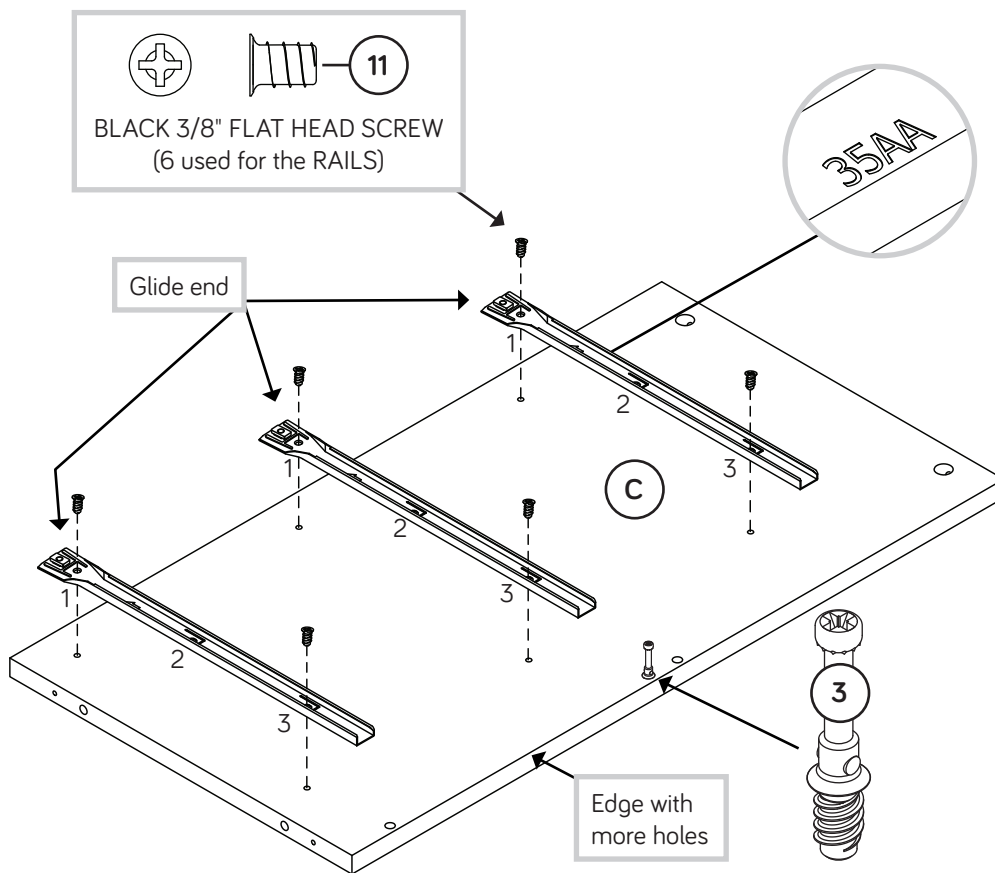


Just think. The sooner you do this, the sooner you do something else.



# Step 3

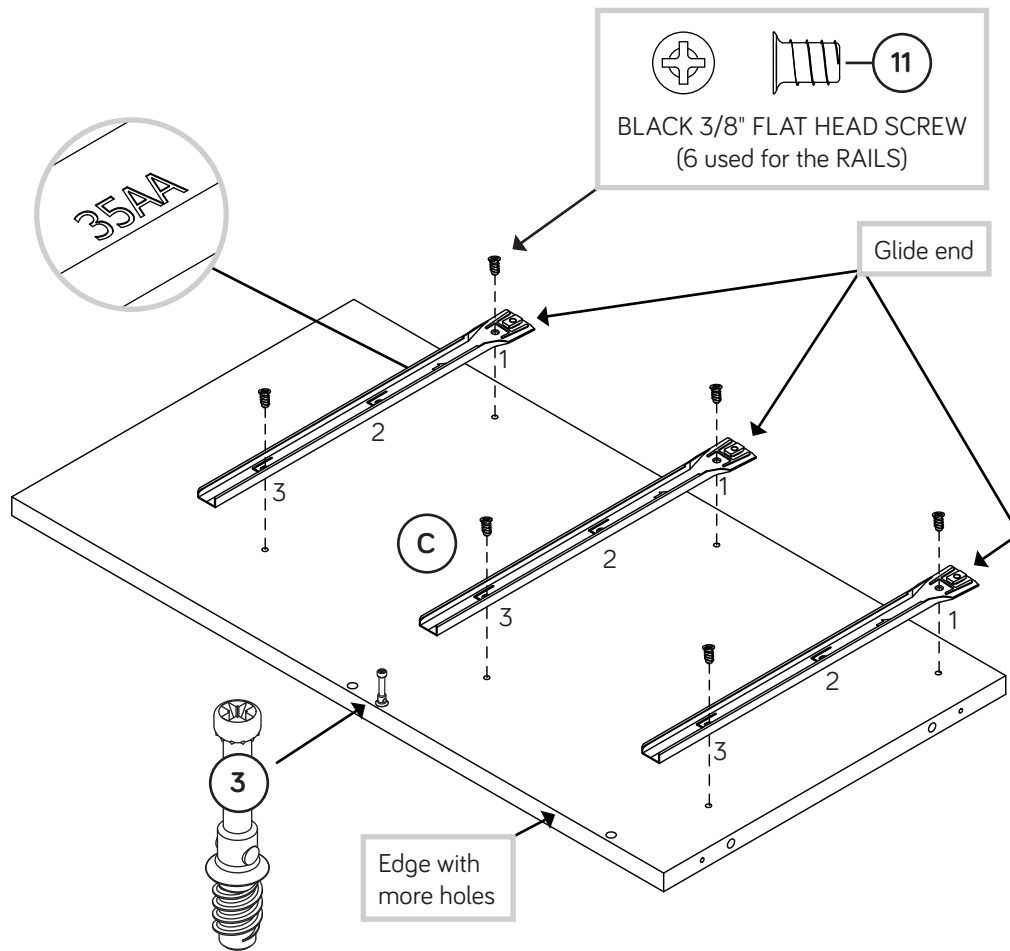
- Fasten three UNIVERSAL CABINET RAILS\* (35AA) to the UPRIGHT (C). Use six BLACK 3/8" FLAT HEAD SCREWS (11) through holes #1 and #3.
- Turn a CAM SCREW (3) into the UPRIGHT (C).
- \*patent pending glide system





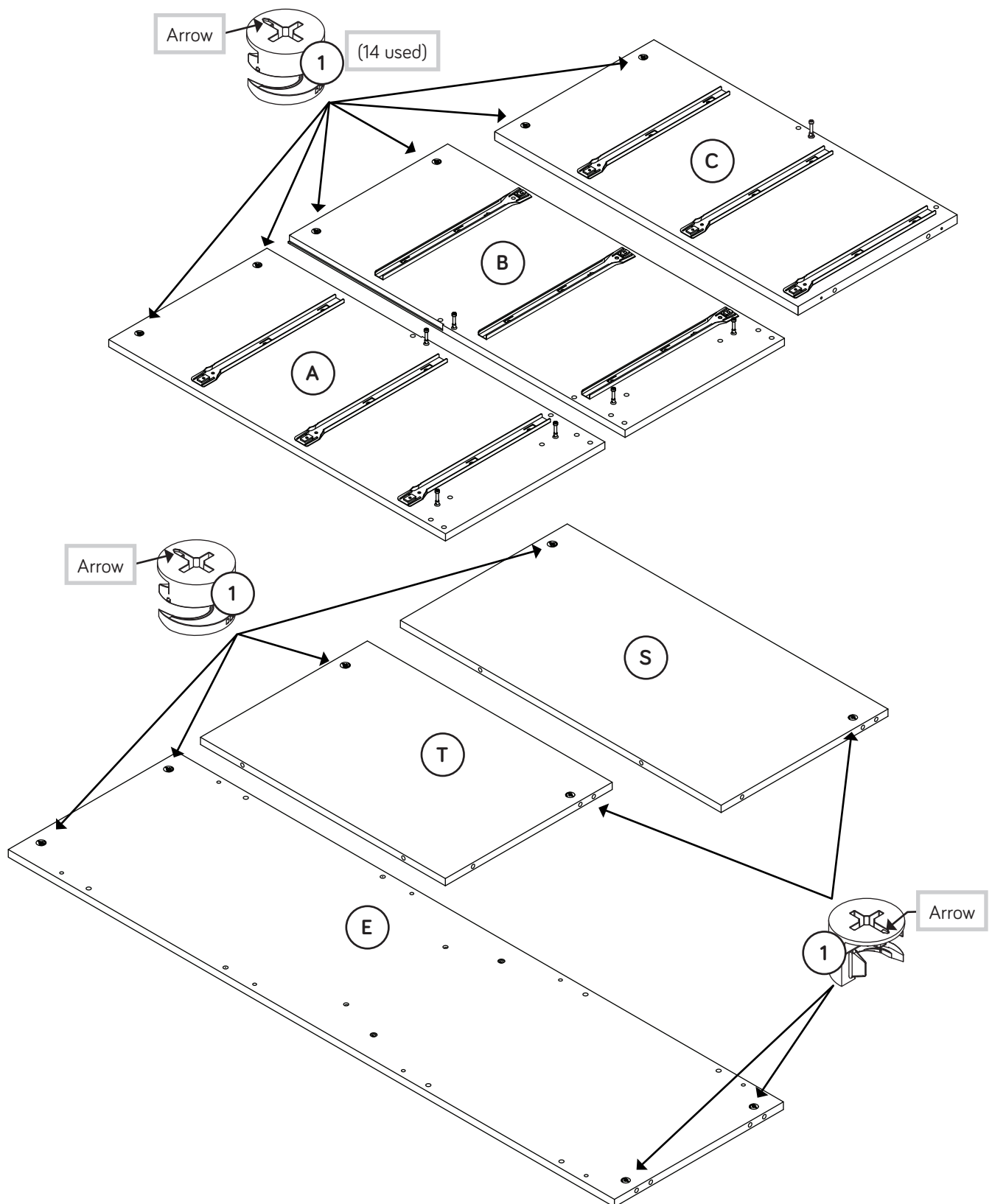
# Step 4

- ✚ Flip the UPRIGHT (C) over.
- ✚ Fasten three UNIVERSAL CABINET RAILS\* (35AA) to the UPRIGHT (C). Use six BLACK 3/8" FLAT HEAD SCREWS (11) through holes #1 and #3.
- ✚ Turn a CAM SCREW (3) into the UPRIGHT (C).
- ✚ \*patent pending glide system



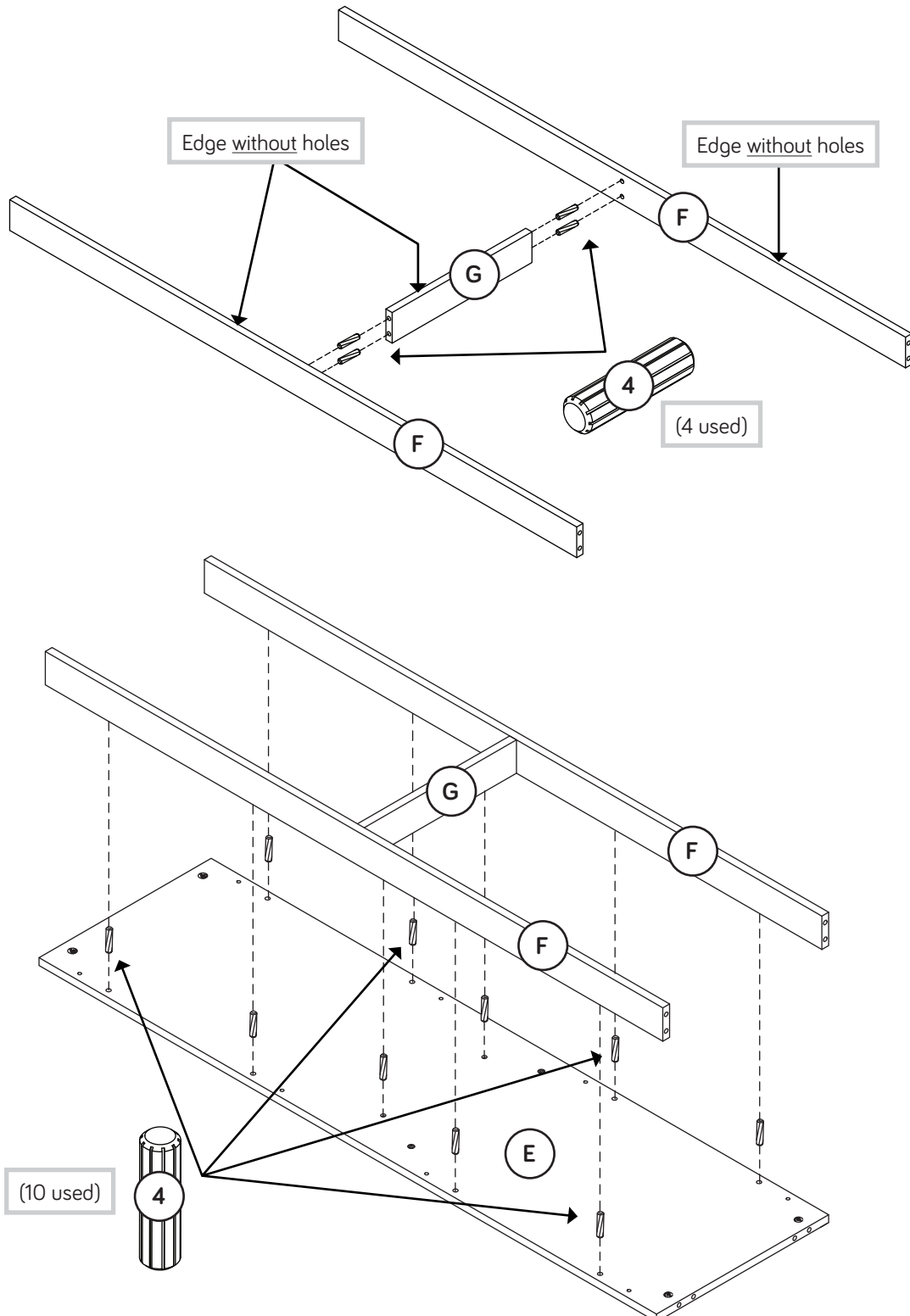
# Step 5

- Push fourteen LARGE HIDDEN CAMS (1) into the ENDS (A and B), UPRIGHT (C), BACKS (S and T), and BOTTOM (E).



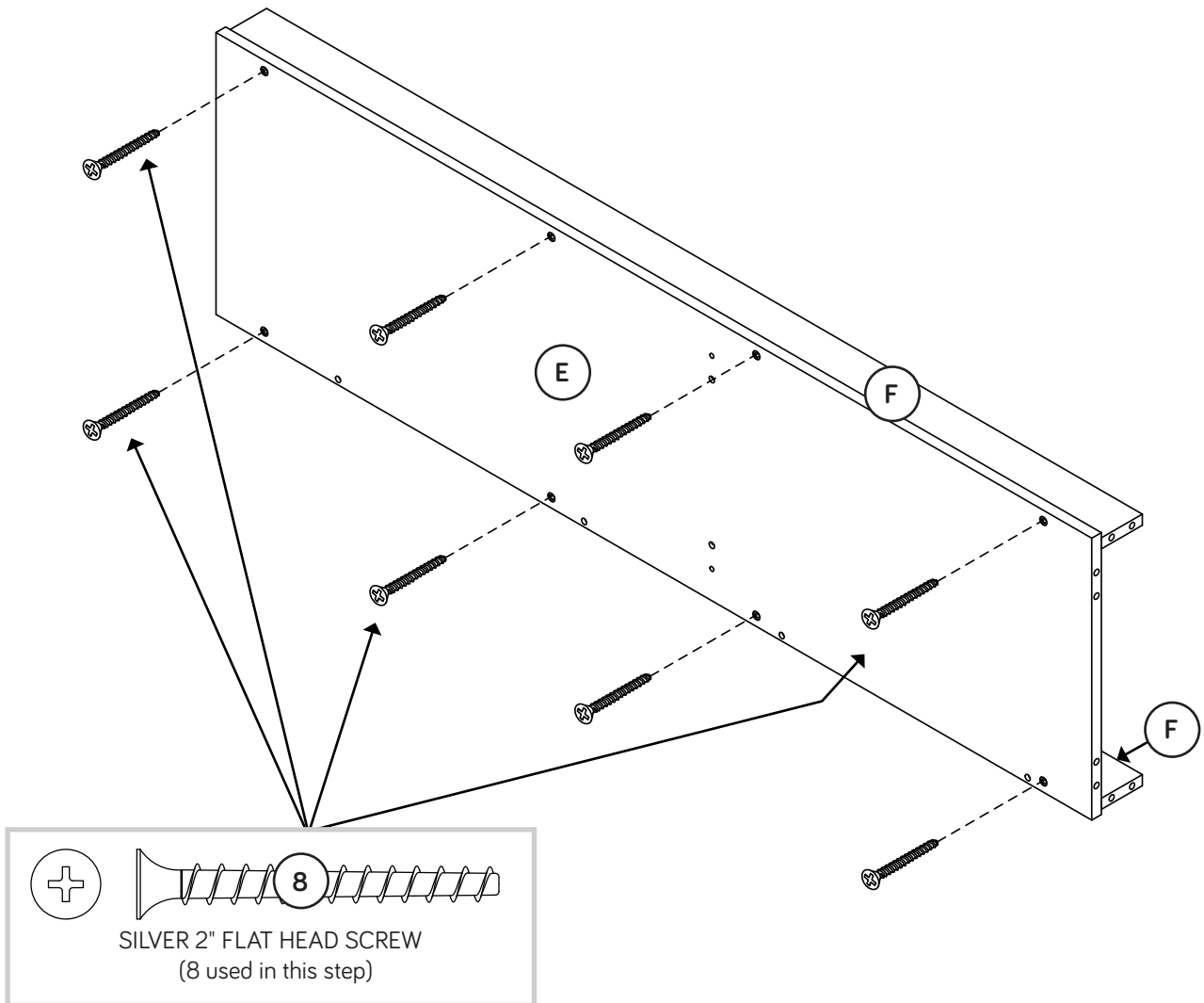
# Step 6

- ✚ Insert four LARGE WOOD DOWELS (4) into the BRACE (G).
- ✚ Push the SKIRTS (F) onto the LARGE WOOD DOWELS (4) in the BRACE (G).
- ✚ Insert ten LARGE WOOD DOWELS (4) into the BOTTOM (E).
- ✚ Push the SKIRTS (F) and BRACE (G) onto the LARGE WOOD DOWELS (4) in the BOTTOM (E).



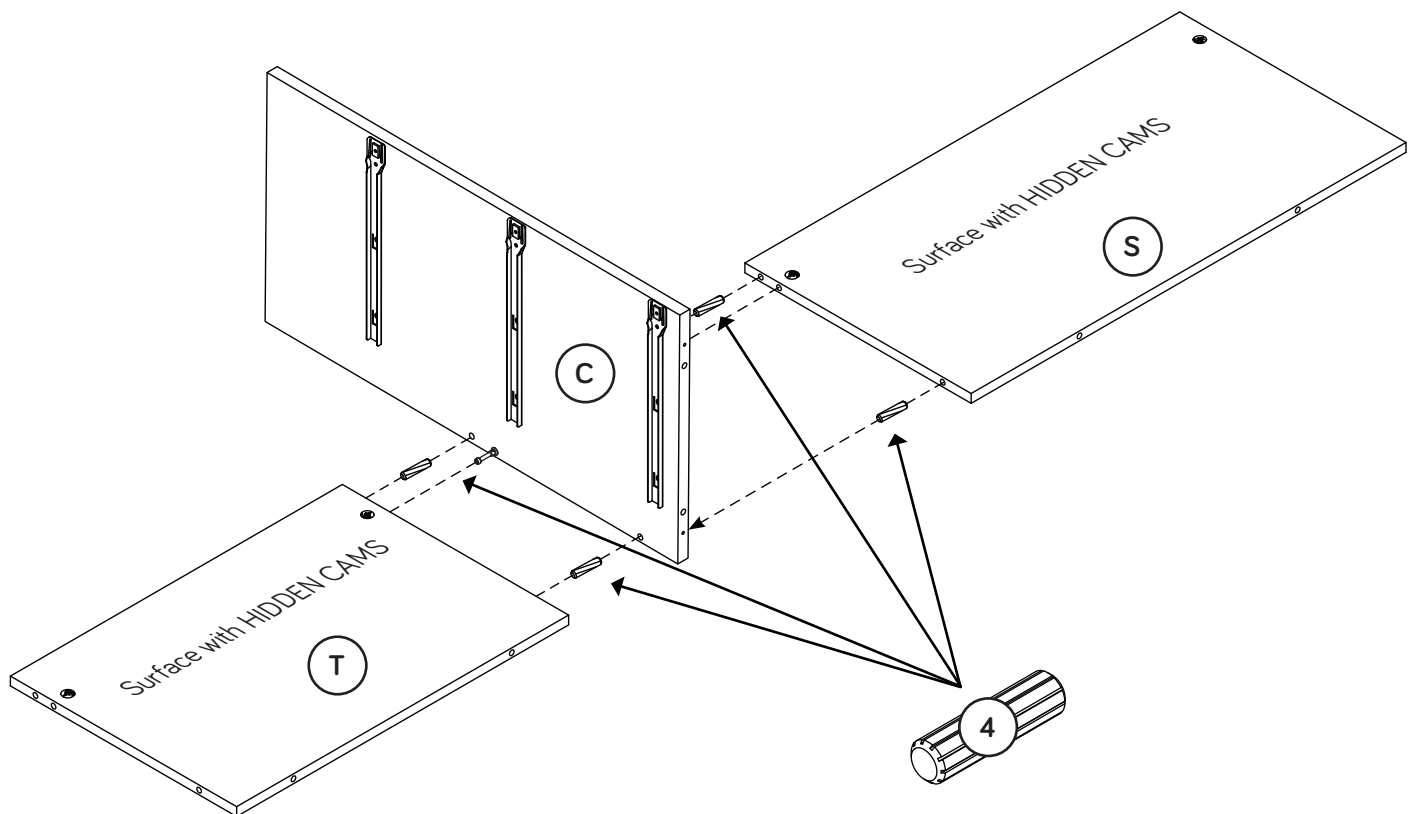
# Step 7

- ✚ Turn the BOTTOM on its long edge.
- ✚ Fasten the SKIRTS (F) to the BOTTOM (E). Use eight SILVER 2" FLAT HEAD SCREWS (8).



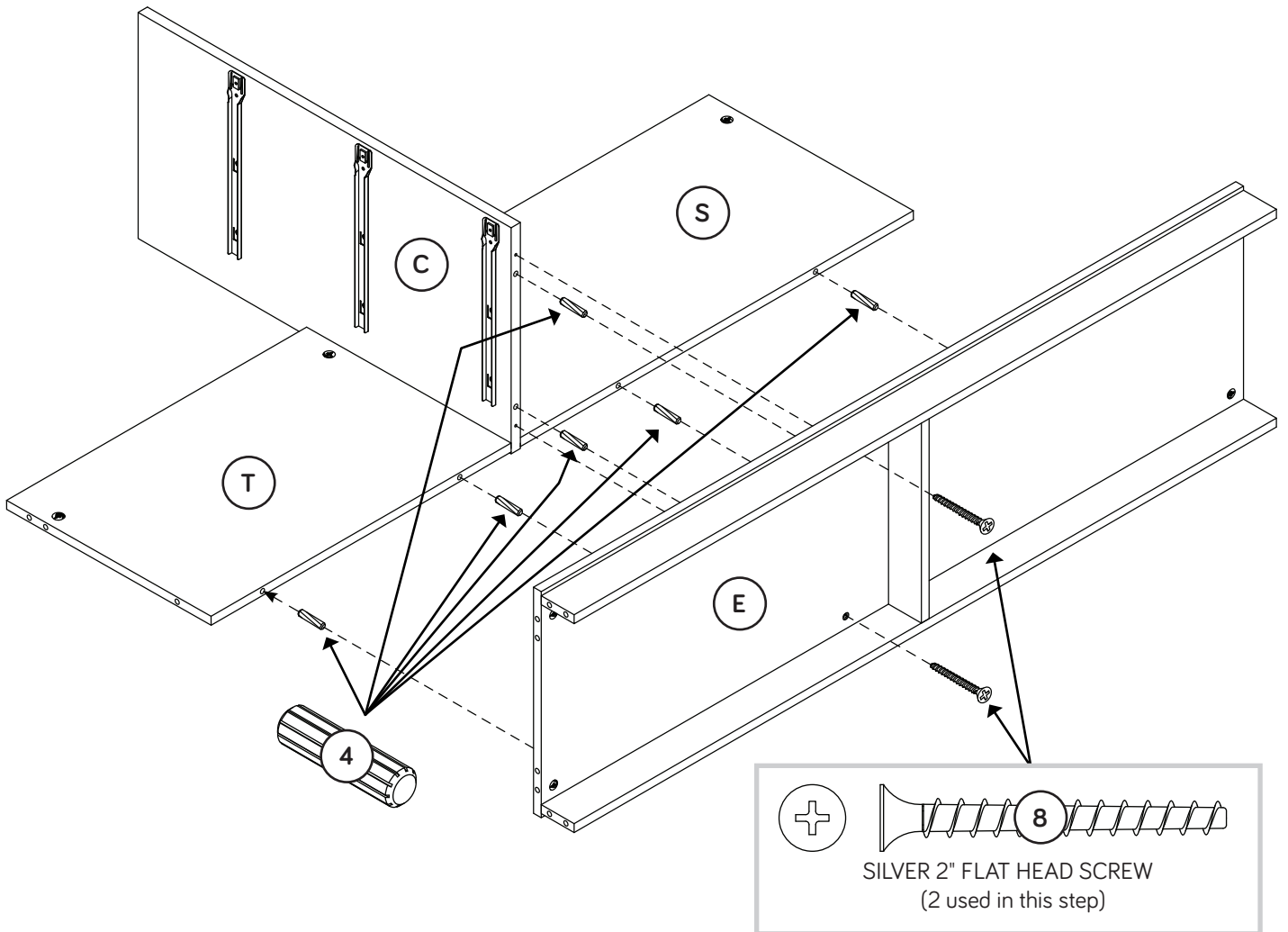
# Step 8

- ✚ Insert four LARGE WOOD DOWELS (4) into the UPRIGHT (C).
- ✚ Fasten the BACKS (S and T) to the UPRIGHT (C). Tighten two HIDDEN CAMS.
- ✚ NOTE: Be sure the WOOD DOWELS in the UPRIGHT insert into the BACKS (S and T).



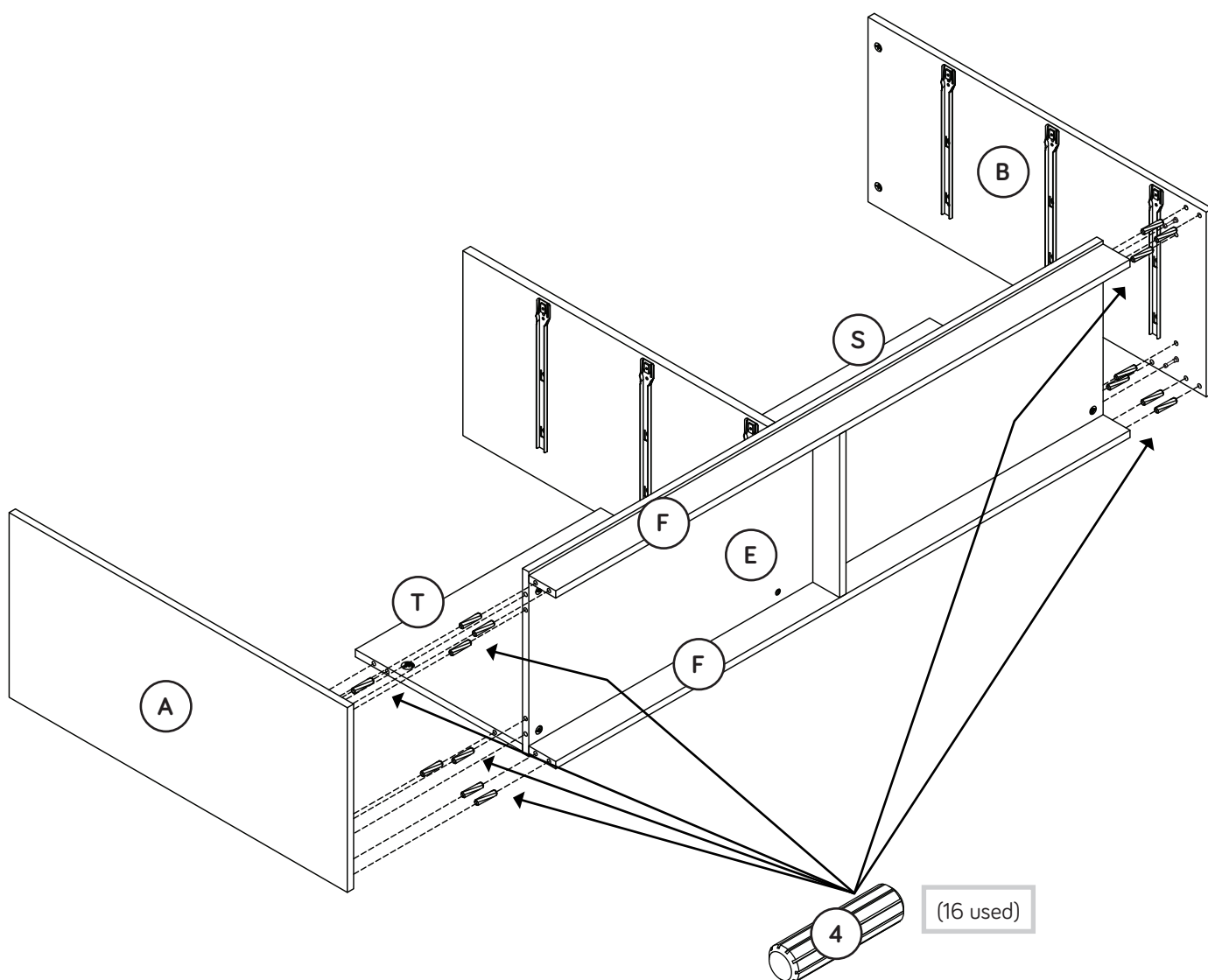
# Step 9

- ✚ Insert six LARGE WOOD DOWELS (4) into the BACKS (S and T) and UPRIGHT (C).
- ✚ Fasten the BOTTOM (E) to the BACKS (S and T) and UPRIGHT (C). Use two SILVER 2" FLAT HEAD SCREWS (8).
- ✚ NOTE: Be sure the WOOD DOWELS in the BACKS and UPRIGHT insert into the BOTTOM.



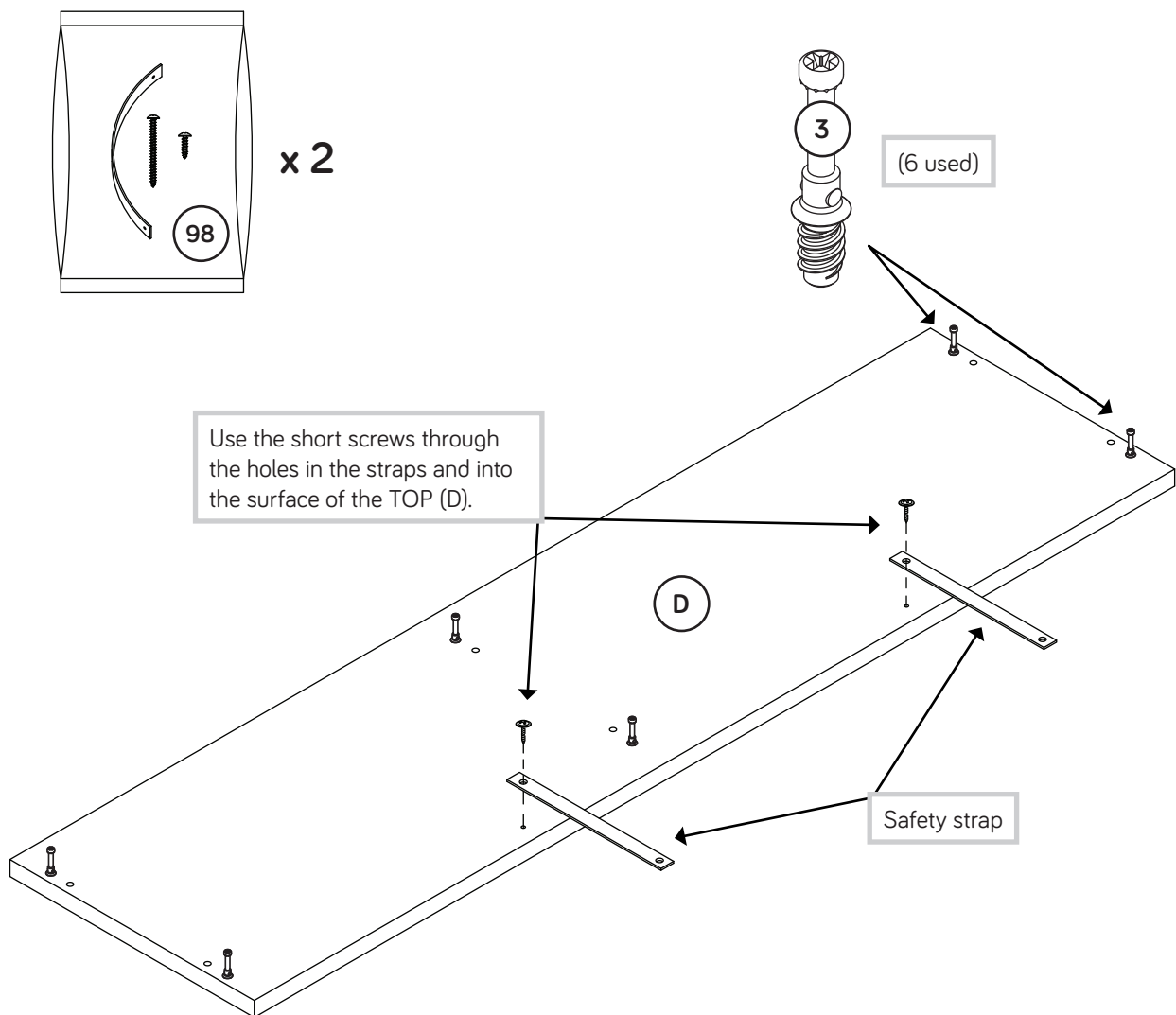
# Step 10

- ✚ Insert sixteen LARGE WOOD DOWELS (4) into the ENDS (A and B).
- ✚ Fasten the RIGHT END (B) to the BOTTOM (E), SKIRTS (F), and RIGHT BACK (S). Tighten three HIDDEN CAMS.
- ✚ Fasten the LEFT END (A) to the BOTTOM (E), SKIRTS (F), and LEFT BACK (T). Tighten three HIDDEN CAMS.



# Step 11

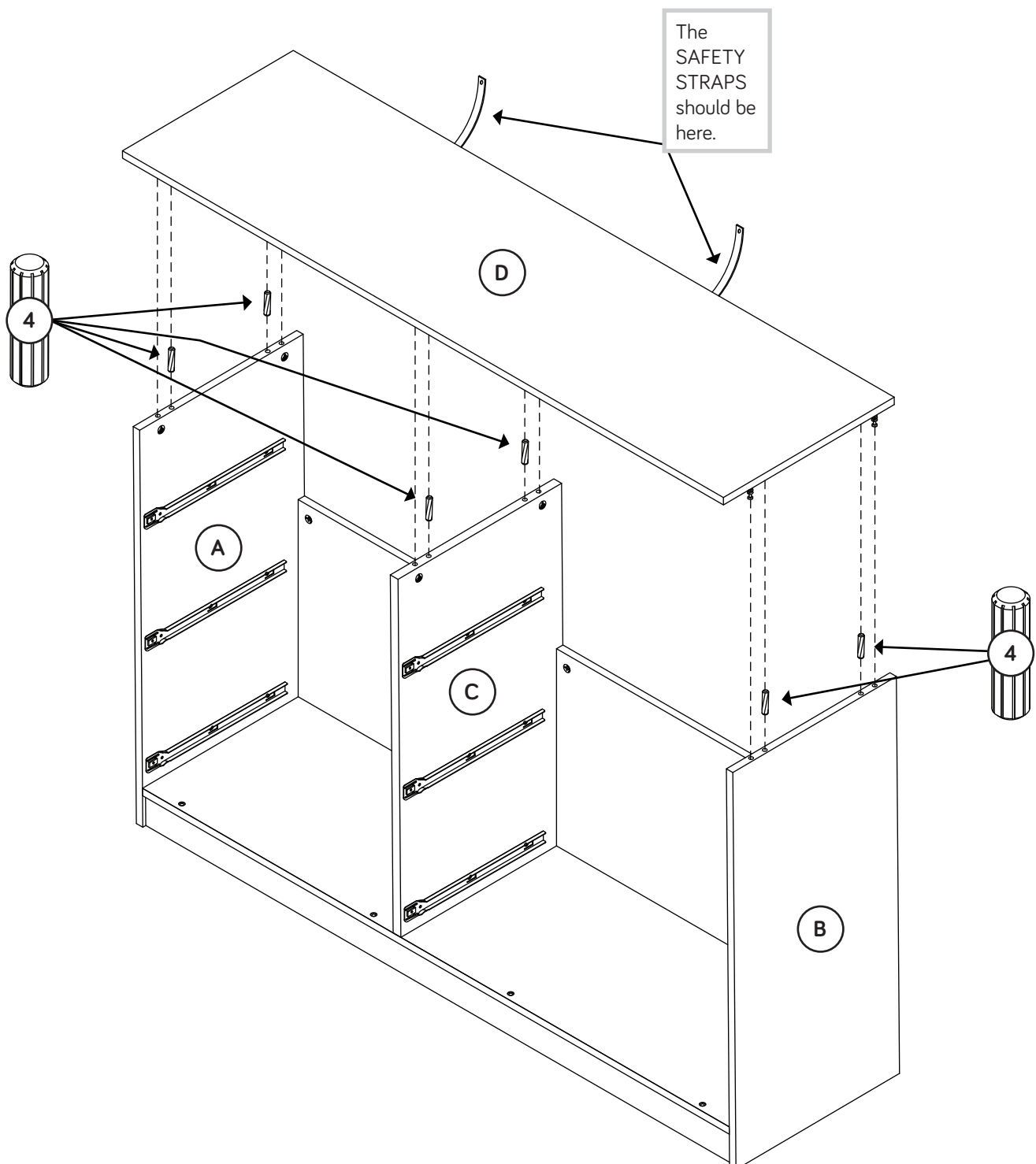
- ✚ Use the FURNITURE TIPPING RESTRAINT KITS (98) for added stability.
- ✚ Open the FURNITURE TIPPING RESTRAINT KITS (98) and fasten the SAFETY STRAPS to the TOP (D). Use the provided short screws.
- ✚ NOTE: Position the SAFETY STRAPS exactly as shown.
- ✚ Turn six CAM SCREWS (3) into the TOP (D).





# Step 12

- ✚ Insert six WOOD DOWELS (4) into the ENDS (A and B) and UPRIGHT (C).
- ✚ Fasten the TOP (D) to the ENDS (A and B) and UPRIGHT (C). Tighten six HIDDEN CAMS.
- ✚ NOTE: Be sure the WOOD DOWELS in the ENDS and UPRIGHT insert into the TOP.

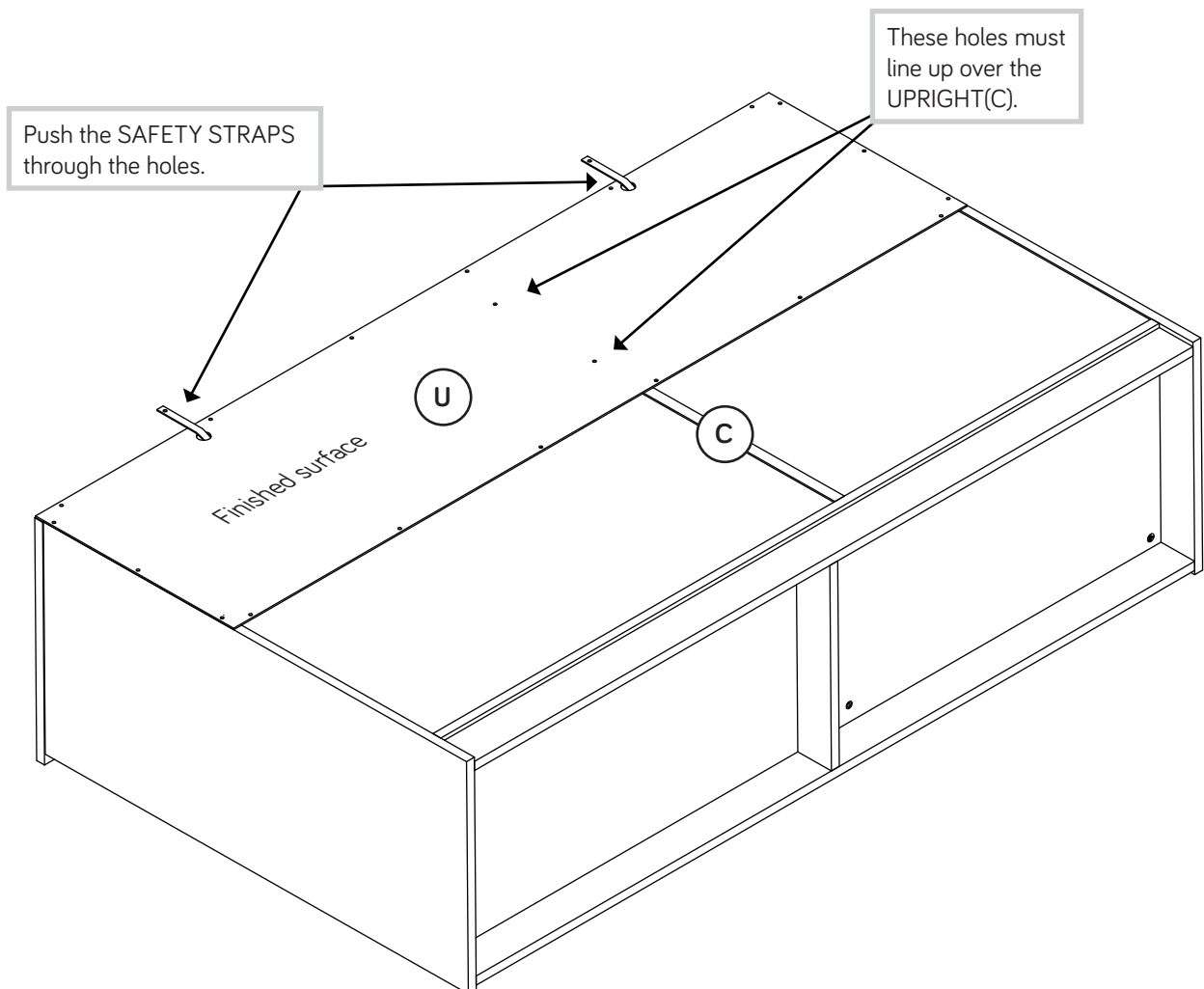
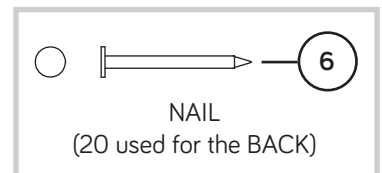


# Step 13

- ✚ Carefully turn your unit over onto its front edges. Lay the BACK (U) over your unit.
- ✚ Push the SAFETY STRAPS through the large holes in the BACK (U).
- ✚ Make equal margins along the top and side edges of the BACK (U). Push on opposite corners of your unit if needed to make it "square".
- ✚ Fasten the BACK (U) to your unit using the NAILS (6).
- ✚ NOTE: Be sure to tap NAILS into the holes that line up over the UPRIGHT (C).

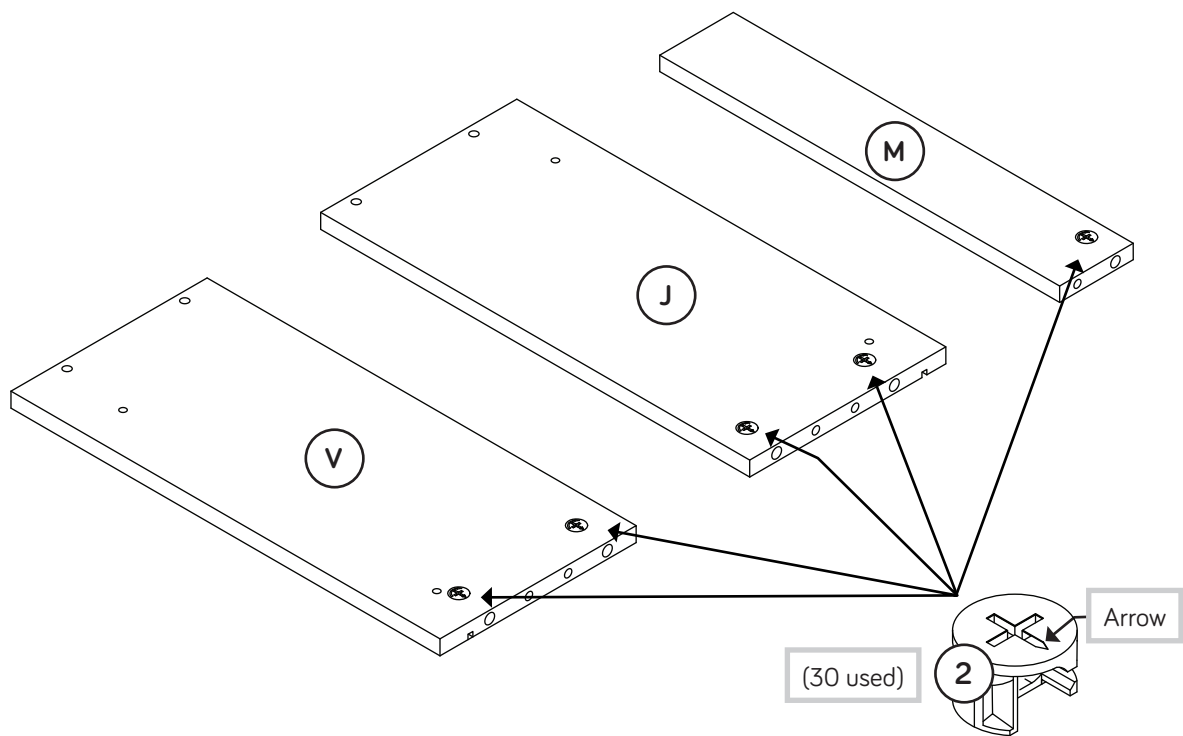


Do not stand the unit upright without the BACK fastened. The unit may collapse.



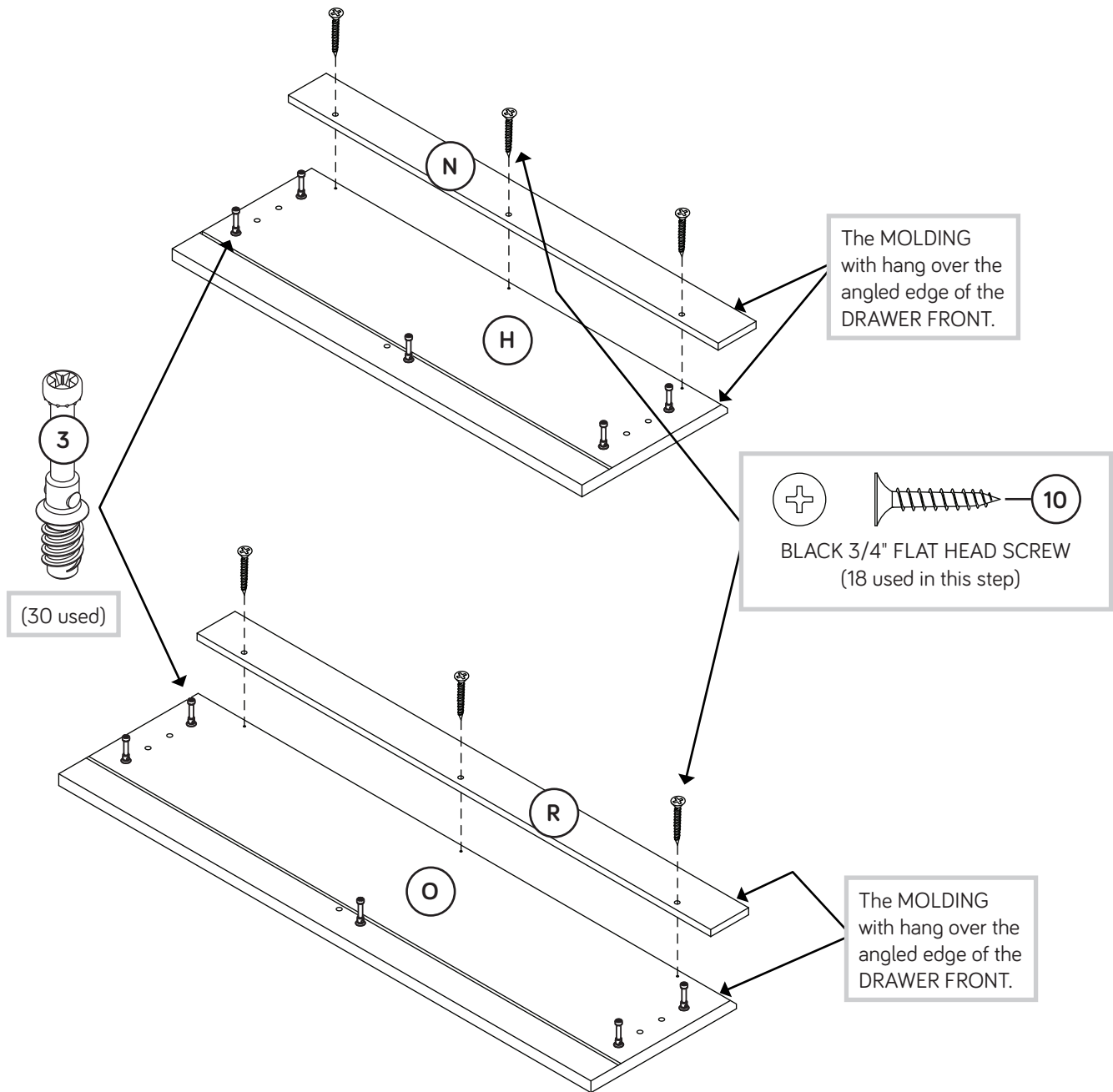
# Step 14

- ✚ Push five SMALL HIDDEN CAMS (2) into the DRAWER SIDES (J and V), and BRACES (M).
- ✚ Repeat this step for the remaining DRAWER SIDES (J and V) and BRACES (M).



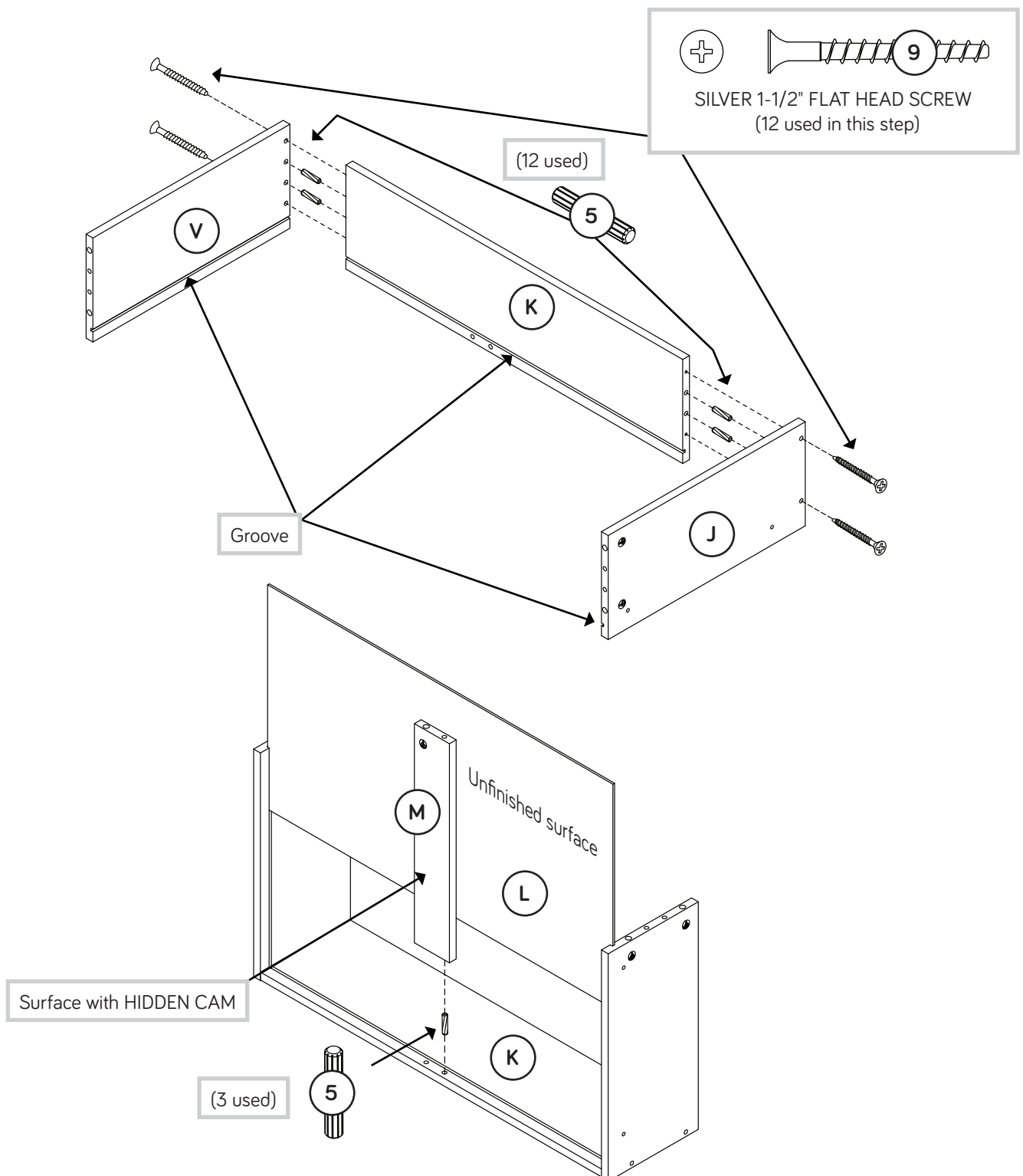
# Step 15

- Turn ten CAM SCREWS (3) into the exact holes shown in the DRAWER FRONTS (H and O).
- Fasten the SMALL DRAWER FRONT MOLDING (N) to the SMALL DRAWER FRONT (H) and the LARGE DRAWER FRONT MOLDING (R) to the LARGE DRAWER FRONT (O). Use six BLACK 3/4" FLAT HEAD SCREWS (10).
- Repeat this step twice.



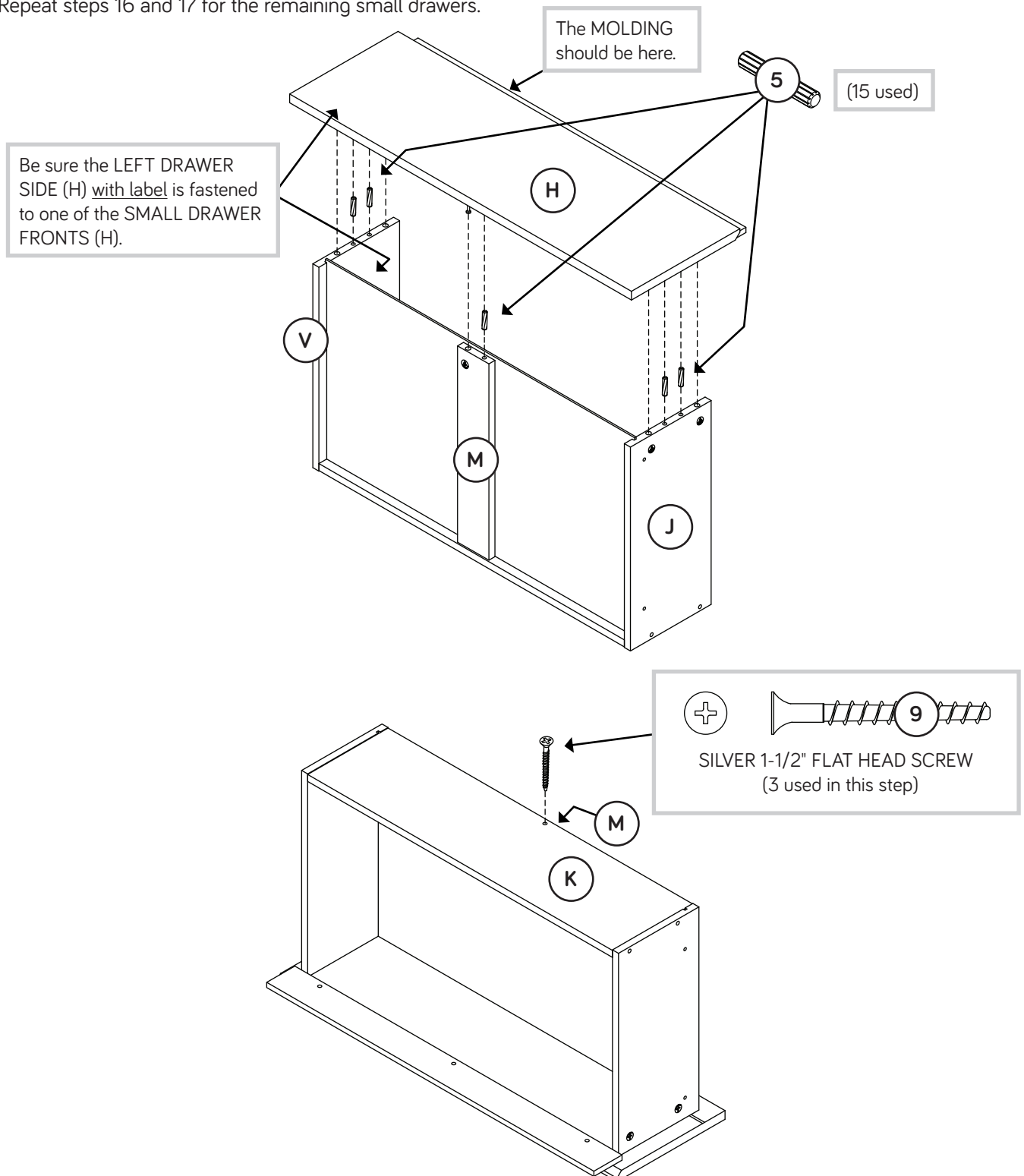
# Step 16

- ✚ Insert four SMALL WOOD DOWELS (5) into the short edges of a SMALL DRAWER BACK (K).
- ✚ Fasten the DRAWER SIDES (J and V) to the SMALL DRAWER BACK (K). Use four SILVER 1-1/2" FLAT HEAD SCREWS (9).
- ✚ NOTE: Be sure the WOOD DOWELS in the SMALL DRAWER BACK insert into the DRAWER SIDES.
- ✚ Slide a SMALL DRAWER BOTTOM (L) into the grooves in the DRAWER SIDES (J and V) and SMALL DRAWER BACK (K).
- ✚ Insert a SMALL WOOD DOWEL (5) into the exact hole shown in the SMALL DRAWER BACK (K). Push the BRACE (M) onto the WOOD DOWEL in the SMALL BACK.



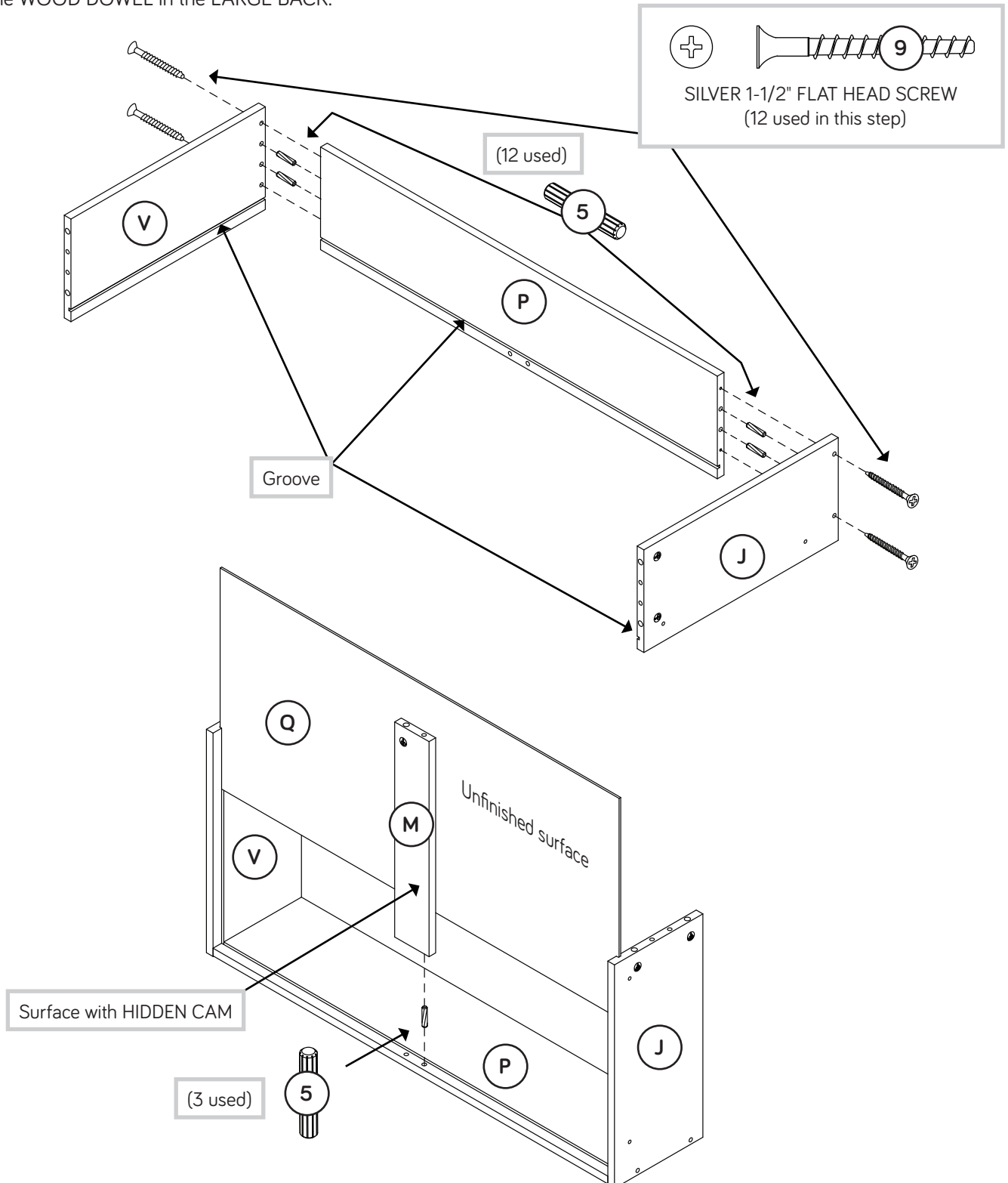
# Step 17

- ✚ Insert five SMALL WOOD DOWELS (5) into the short edges of the DRAWER SIDES (J and V) and DRAWER BRACE (M).
- ✚ Fasten a SMALL DRAWER FRONT (H) to the DRAWER SIDES (J and V). Tighten five HIDDEN CAMS.
- ✚ NOTE: Be sure the WOOD DOWELS in the DRAWER SIDES and DRAWER BRACE insert into the SMALL DRAWER FRONT.
- ✚ Flip your drawer over. Fasten the SMALL DRAWER BACK (K) to the DRAWER BRACE (M). Use a SILVER 1-1/2" FLAT HEAD SCREW (9).
- ✚ Repeat steps 16 and 17 for the remaining small drawers.



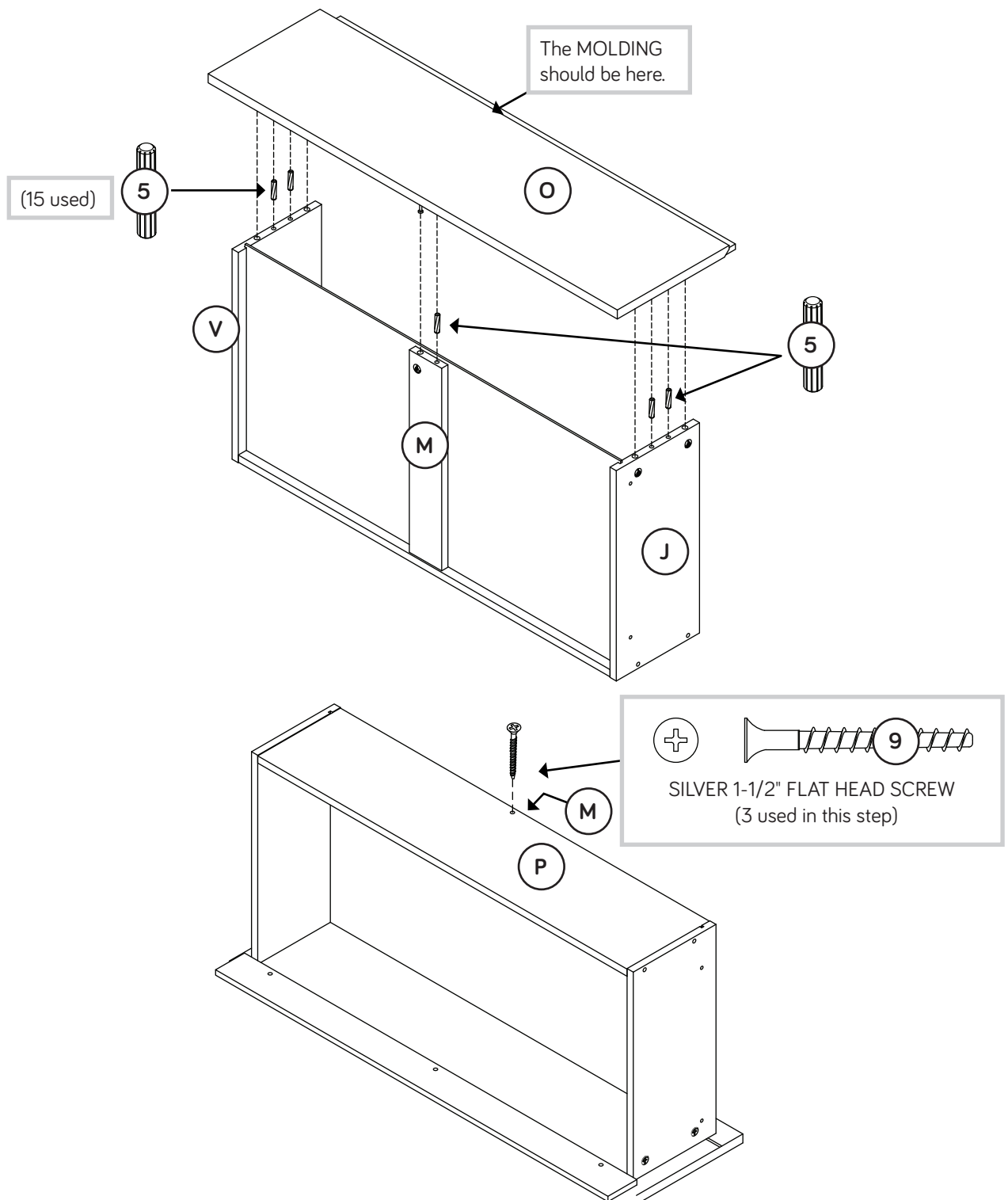
# Step 18

- ✚ Insert four SMALL WOOD DOWELS (5) into the short edges of a LARGE DRAWER BACK (P).
- ✚ Fasten the DRAWER SIDE (J and V) to the LARGE DRAWER BACK (P). Use four SILVER 1-1/2" FLAT HEAD SCREWS (9).
- ✚ NOTE: Be sure the WOOD DOWELS in the LARGE DRAWER BACK insert into the DRAWER SIDES.
- ✚ Slide a LARGE DRAWER BOTTOM (Q) into the grooves in the DRAWER SIDES (V and J) and LARGE DRAWER BACK (P).
- ✚ Insert a SMALL WOOD DOWEL (5) into exact hole shown in the LARGE DRAWER BACK (P). Push the BRACE (M) onto the WOOD DOWEL in the LARGE BACK.



# Step 19

- ✚ Insert five SMALL WOOD DOWELS (5) into the short edges of the DRAWER SIDES (J and V) and DRAWER BRACE (M).
- ✚ Fasten a LARGE DRAWER FRONT (O) to the DRAWER SIDES (J and V) and DRAWER BRACE (M). Tighten five HIDDEN CAMS.
- ✚ NOTE: Be sure the WOOD DOWELS in the DRAWER SIDES and DRAWER BRACE insert into the LARGE DRAWER FRONT.
- ✚ Flip your drawer over. Fasten the LARGE DRAWER BACK (P) to the DRAWER BRACE (M). Use a SILVER 1-1/2" FLAT HEAD SCREW (9).
- ✚ Repeat steps 18 and 19 for the remaining large drawers.





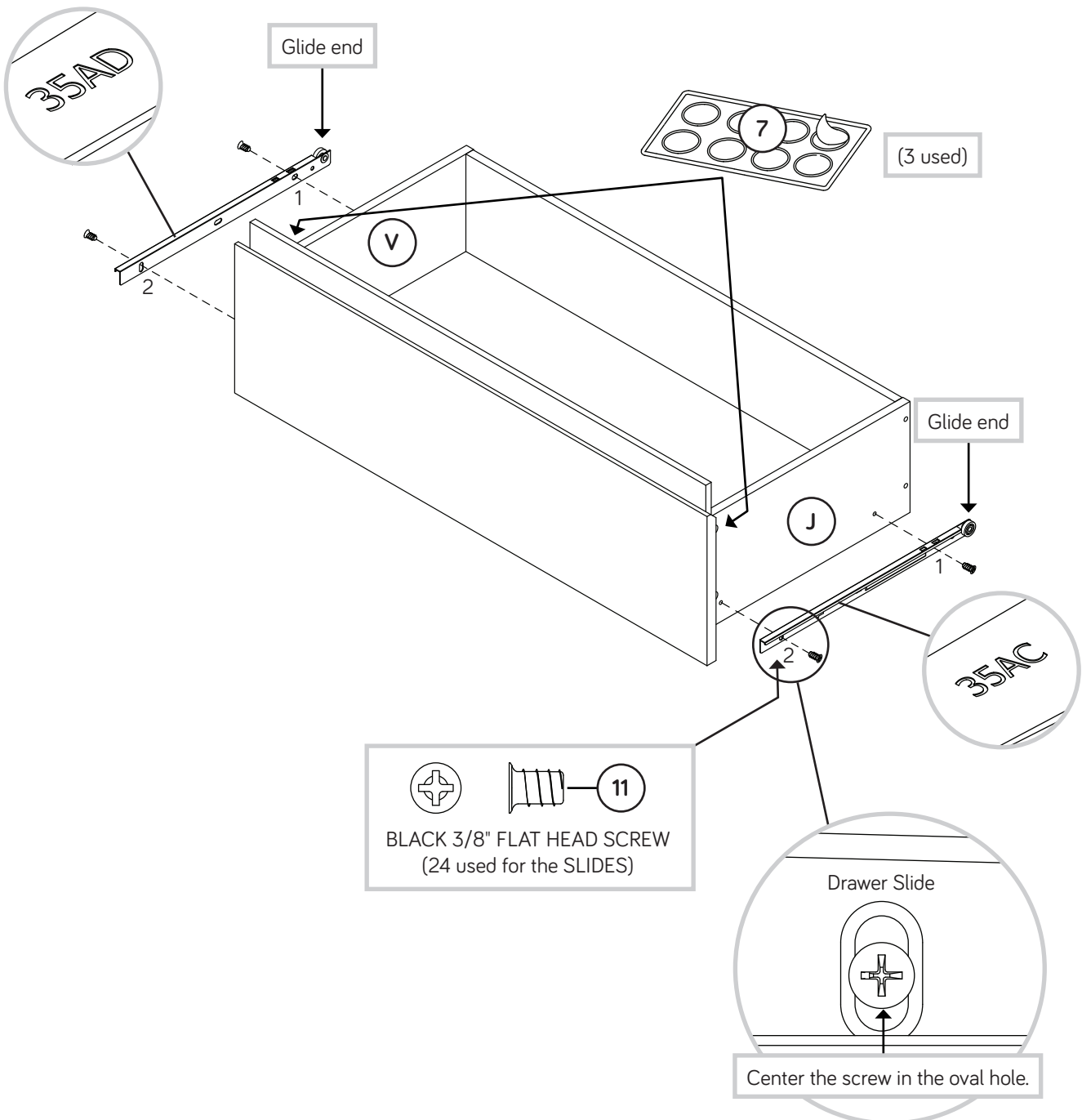
# Step 20

Fasten a DRAWER RIGHT (35AC) to a RIGHT DRAWER SIDE (J) and the DRAWER LEFT (35AD) to a LEFT DRAWER SIDE (V). Use four BLACK 3/8" FLAT HEAD SCREWS (11) through holes #1 and #2.

**NOTE:** The glides are not intended to rotate.

Peel APPLIQUES from the APPLIQUE CARDS (7) and stick them on each visible HIDDEN CAM.


Repeat this step for the remaining drawers.



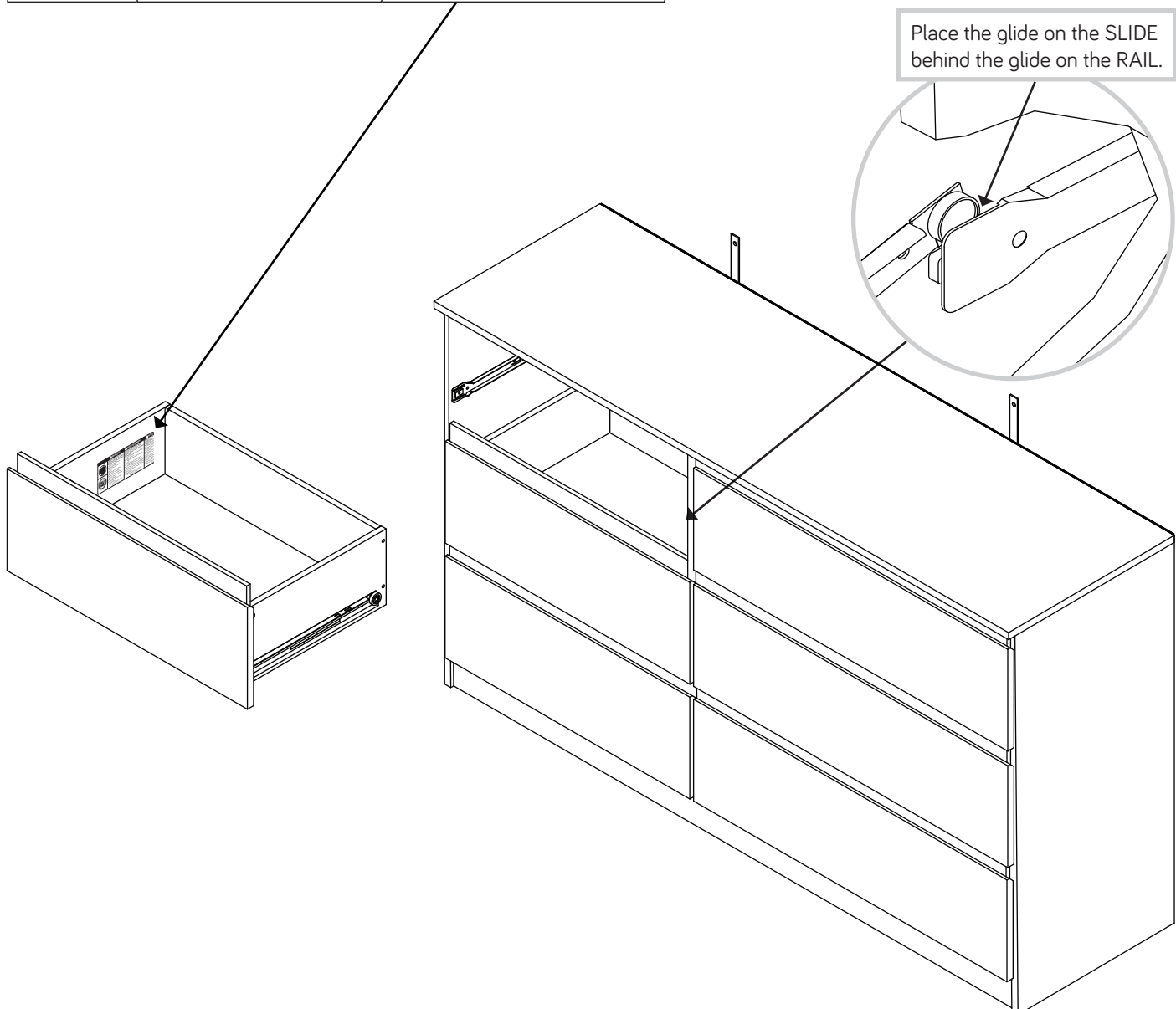
# Step 21

- 🔧 Carefully stand your unit upright.
- 🔧 To insert the drawers into your unit, tip the front of the drawer down and drop the glides on the drawer behind the glides on the unit. Lift the front of the drawer up and slide it into the unit.



⚠️ WARNING	
	<p><b>Children have died from furniture tipover. To reduce the risk of furniture tipover:</b></p> <ul style="list-style-type: none"><li>• ALWAYS install tipover restraint provided.</li><li>• NEVER put a TV on this product.</li><li>• NEVER allow children to stand, climb, or hang on drawers, doors, or shelves.</li><li>• NEVER open more than one drawer at a time.</li><li>• Place heaviest items in the lowest drawers.</li></ul> <p>This is a permanent label. Do not remove!</p>

1/19 526118



 **WARNING**

Please use your furniture correctly and safely. Improper use can cause safety hazards, or damage to your furniture or household items. Carefully read the following safety information.

Death or serious injury may occur when children climb on furniture. A remote control, toys or other items placed on the furniture may encourage a child to climb on the furniture which could cause it to tip-over and result in serious injury or death.

**NEVER** allow children to climb on furniture.

**NEVER** place toys, food, remote, etc. on top of furniture.

**ALWAYS** use either the safety hardware as instructed or other wall anchoring device.

Placing audio and/or video equipment onto furniture not specifically designed to support audio and/or video equipment may result in death or serious injury due to furniture collapse or tip over.

**NEVER** place a TV on furniture that is not intended to support a TV.

**This product is not designed to support a television unless a TV warning label is included and the instructions specifically state the size and weight of the television.**

Overloading drawers and shelves may result in furniture that can break or sag, or tip-over which may result in injury.

**NEVER** exceed the weight limits shown in the instructions.

Place the heavier items on lower shelves as far back from the front as possible.

Load the bottom surfaces first to avoid top-heavy furniture.

Moving furniture that is not designed to be moved or equipped with casters may result in injury or damage to furnishings or personal property.

**ALWAYS** unload shelves and drawers, starting with the top surfaces, before moving.

**NEVER** push or pull furniture on carpet. Have a friend help lift properly to move and/or reposition it.