

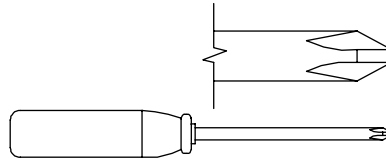
Knick-knack
paddywhack,
give your **stuff** a
home.

Hutch with Drawer

Elstree | **Model 5426910**

NOTE: THIS INSTRUCTION
BOOKLET CONTAINS
IMPORTANT SAFETY
INFORMATION.
PLEASE READ AND KEEP
FOR FUTURE REFERENCE.

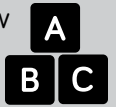
Part Identification	3
Hardware Identification	4
Hardware Usage Guide	5
Assembly Steps	5-19
Français	20-22
Español	23-25
Safety	26
Warranty	27



No. 2 Phillips Screwdriver
Tip Shown Actual Size

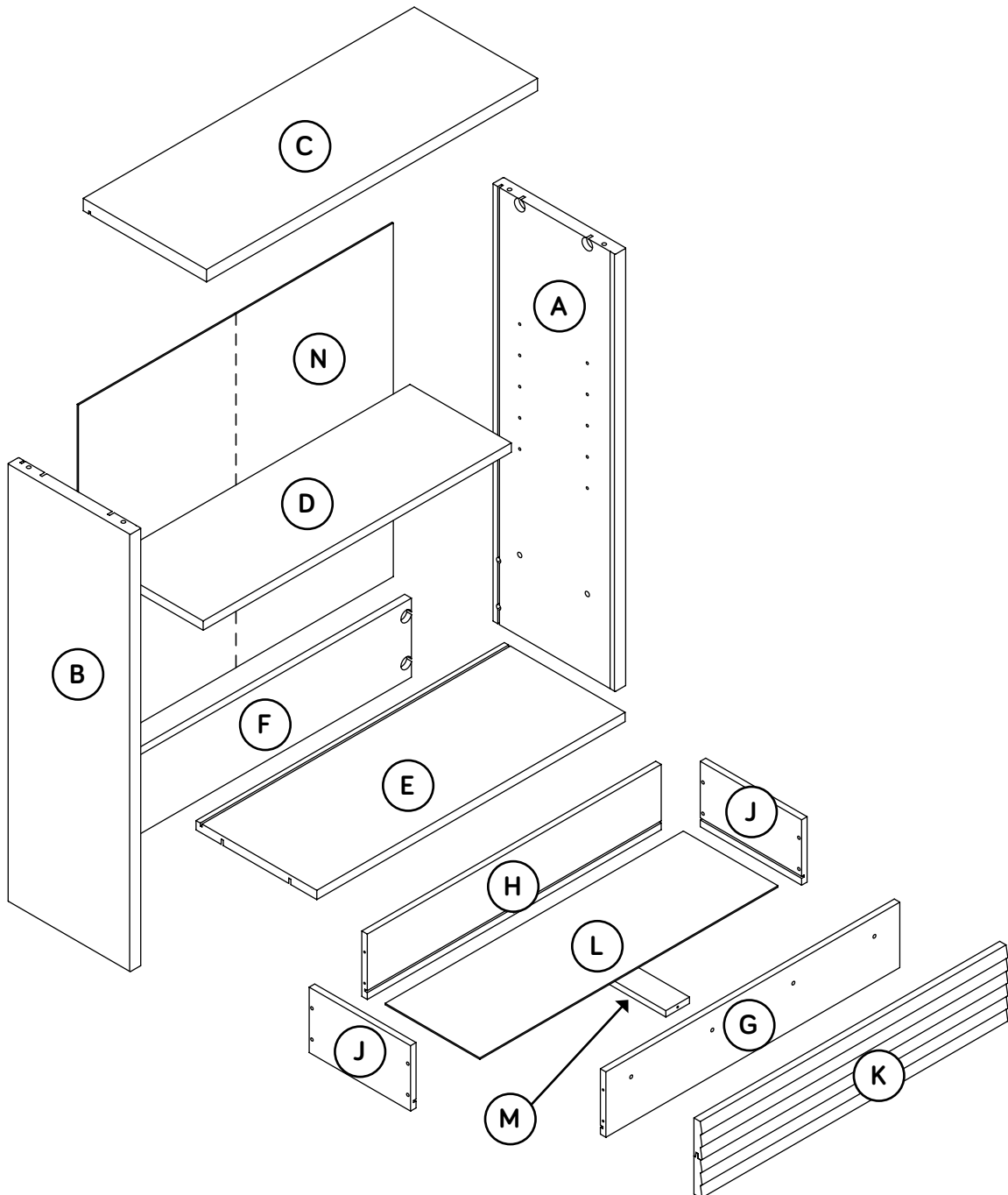
Part Identification

Now you know
our ABCs.



† While not all parts are labeled, some of the parts will have a label or an inked letter on the edge to help distinguish similar parts from each other. Use this part identification to help identify similar parts.

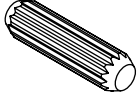
A	RIGHT END (1)	F	BRACE (1)	L	DRAWER BOTTOM (1)
B	LEFT END (1)	G	DRAWER BOX FRONT (1)	M	DRAWER BRACE (1)
C	TOP (1)	H	DRAWER BACK (1)	N	BACK (1)
D	FIXED SHELF (1)	J	DRAWER SIDE (2)		
E	ADJUSTABLE SHELF (1)	K	DRAWER FRONT (1)		



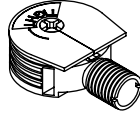
Hardware Identification

† Screws are shown actual size. You may receive extra hardware with your unit.

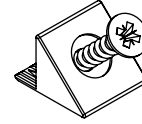
15F WOOD DOWEL - 4



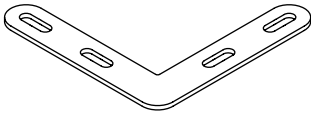
36F TWIST-LOCK® FASTENER - 12



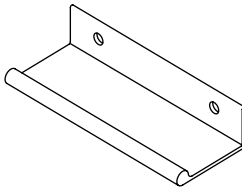
39F BACK CONNECTOR - 8



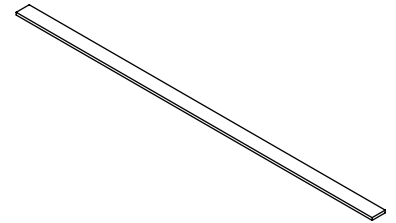
81G BRACKET CONNECTOR - 2



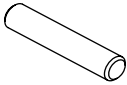
189K PULL - 1



180M FELT STRIP - 2



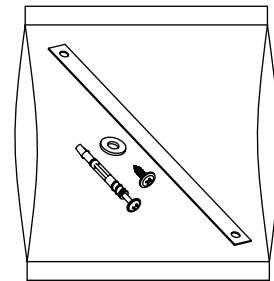
1R METAL PIN - 4



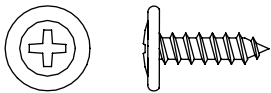
2R RUBBER SLEEVE - 4



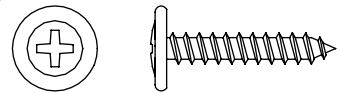
97 FURNITURE TIPPING RESTRAINT KIT - 1



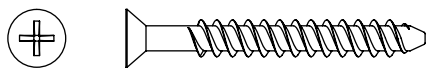
1S BLACK 9/16" LARGE HEAD SCREW - 2



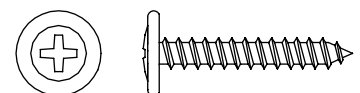
17S BLACK 7/8" LARGE HEAD SCREW - 4



30S BLACK 1-9/16" FLAT HEAD SCREW - 10



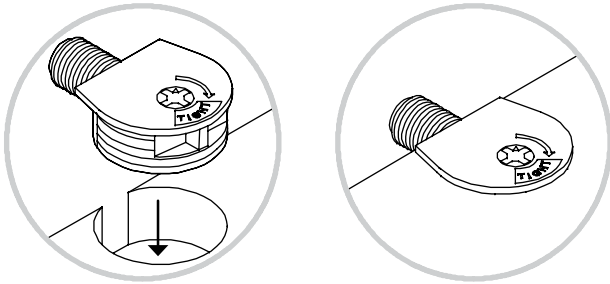
102S SILVER 1" LARGE HEAD SCREW - 8



Hardware Usage Guide

HOW TO USE A TWIST-LOCK® FASTENER

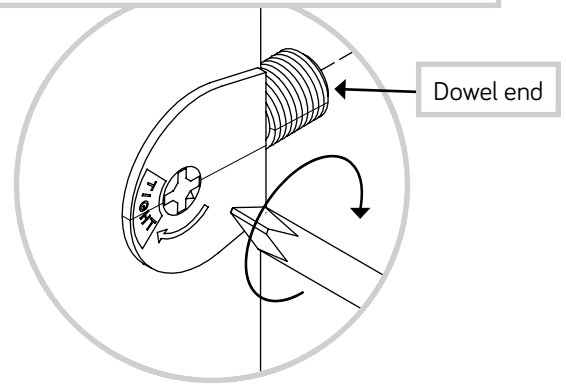
1. Push a TWIST-LOCK® FASTENER into the large hole in the part.



2. 1. Insert the dowel end of the FASTENER into the hole of the adjoining part.

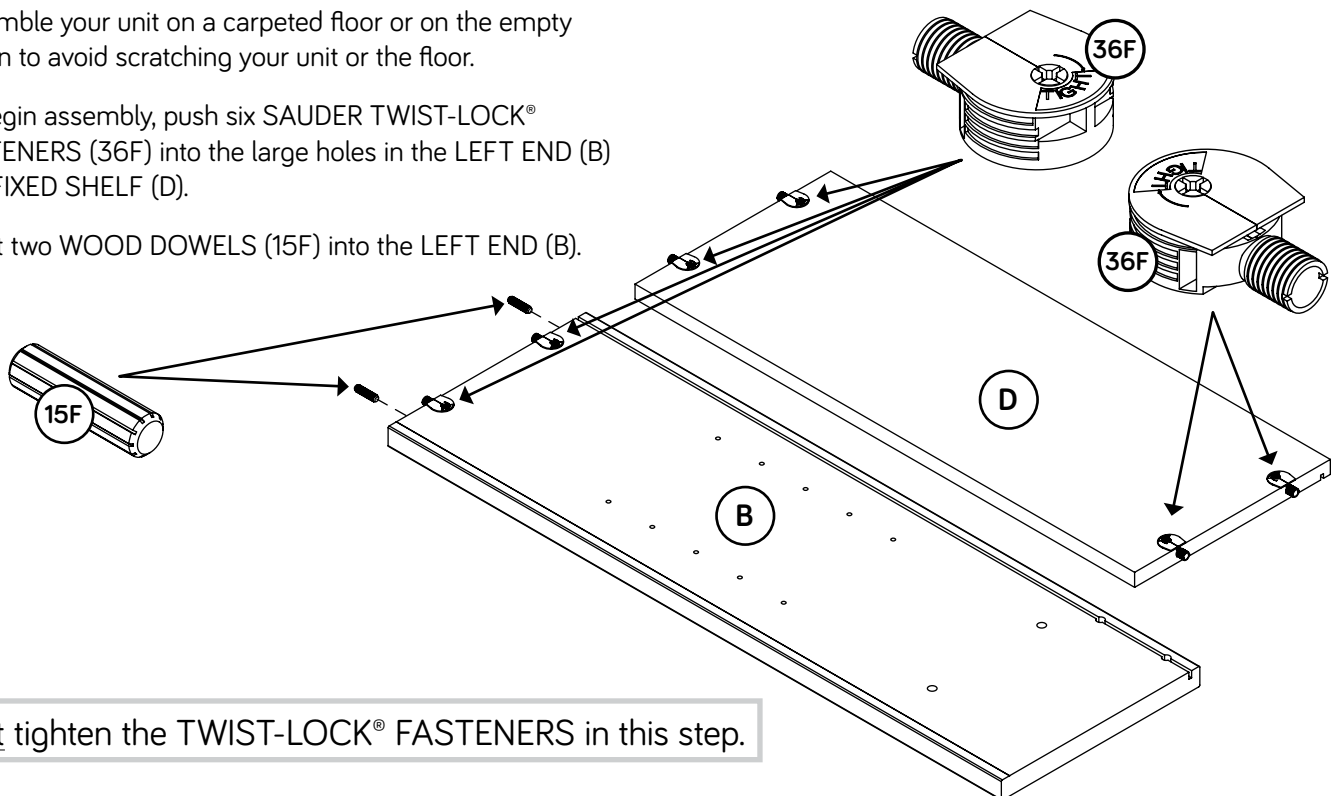
NOTE: The dowel end of the FASTENER must remain fully inserted in the hole of the adjoining part while locking the FASTENER.

2. 2. Tighten the FASTENER with a Phillips screwdriver as tight as possible.



Step 1

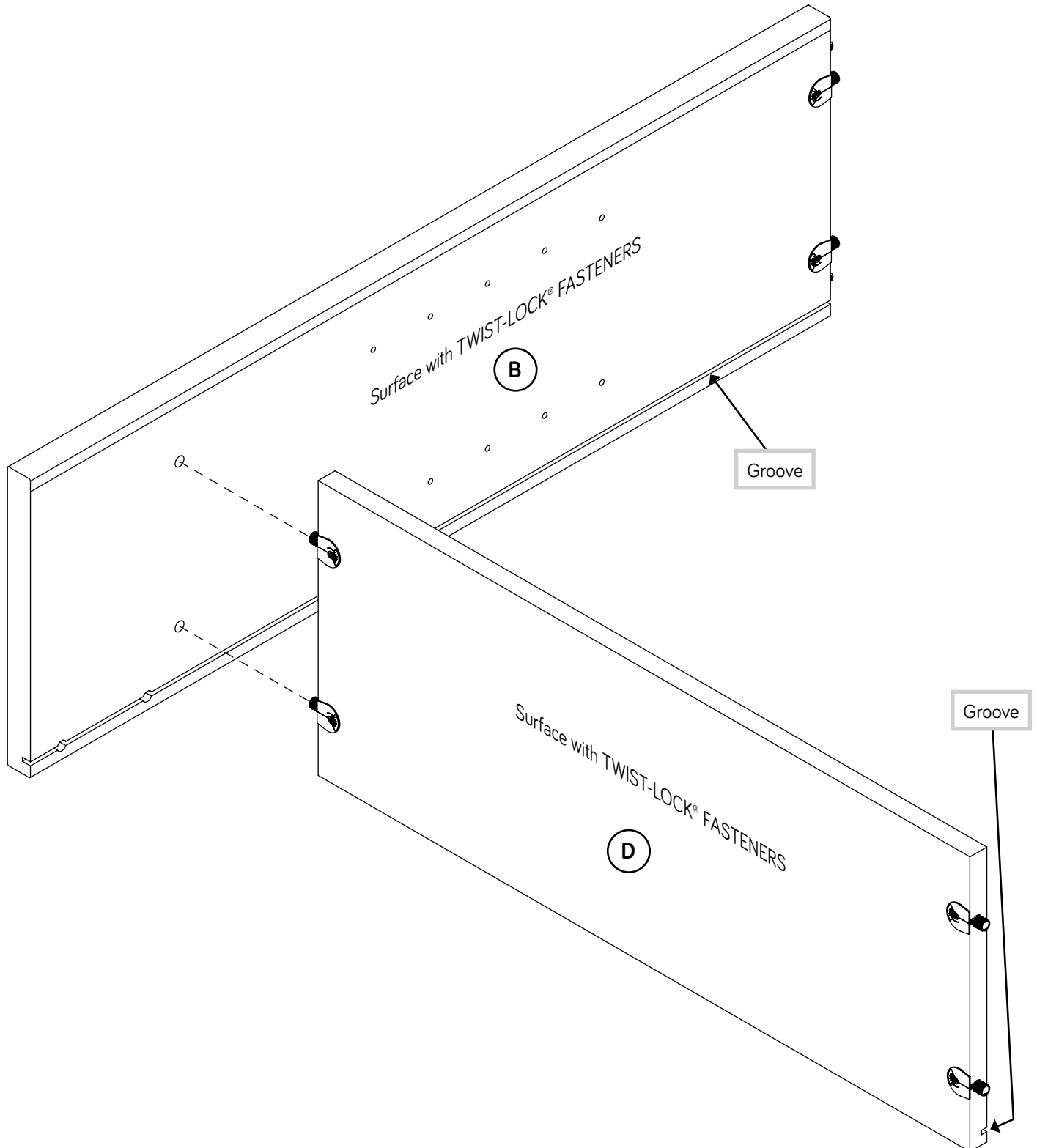
- ⚡ Assemble your unit on a carpeted floor or on the empty carton to avoid scratching your unit or the floor.
- ⚡ To begin assembly, push six SAUDER TWIST-LOCK® FASTENERS (36F) into the large holes in the LEFT END (B) and FIXED SHELF (D).
- ⚡ Insert two WOOD DOWELS (15F) into the LEFT END (B).



Do not tighten the TWIST-LOCK® FASTENERS in this step.

Step 2

- Fasten the FIXED SHELF (D) to the LEFT END (B). Tighten two TWIST-LOCK® FASTENERS.

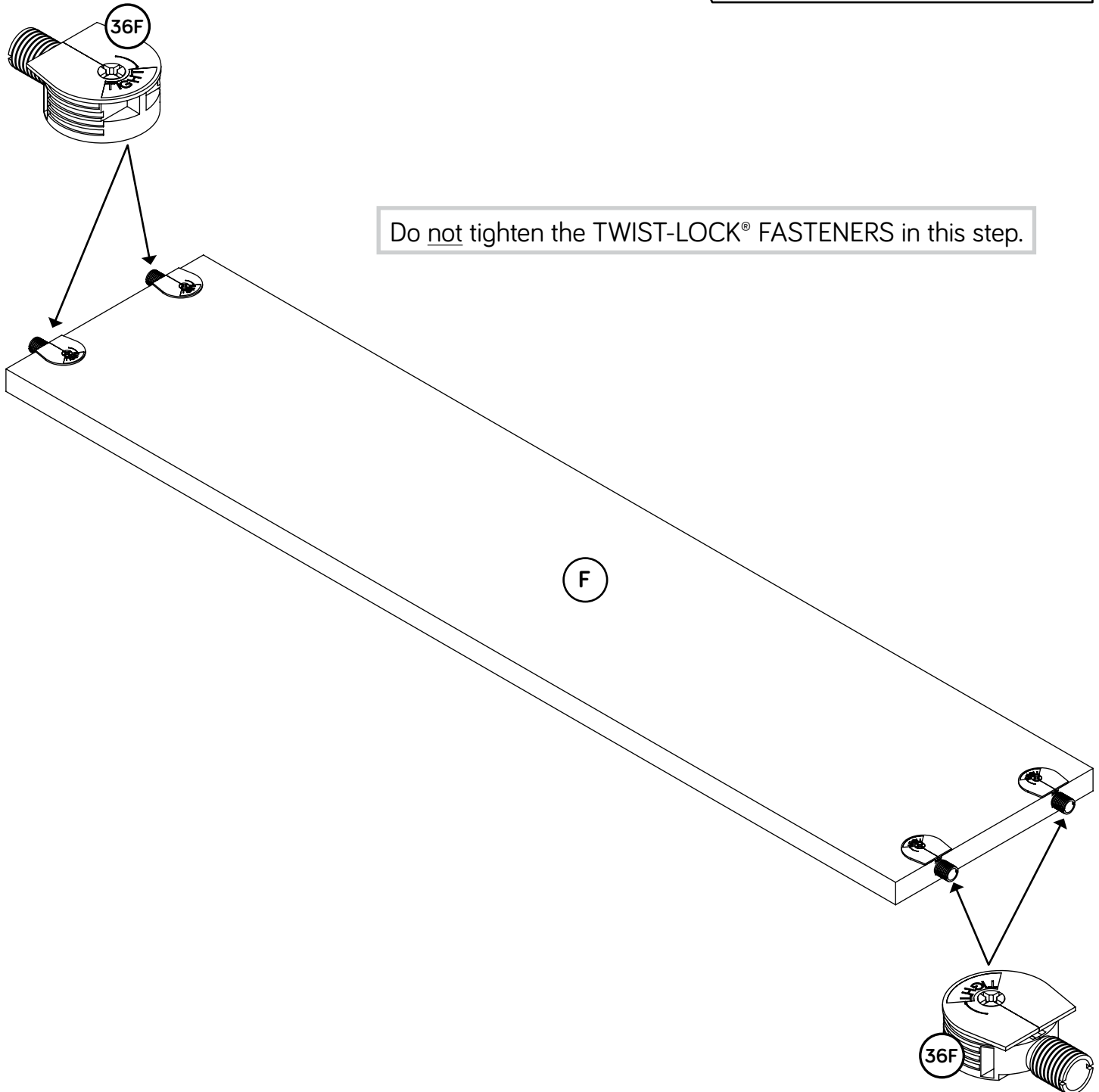


Step 3

↑ To begin assembly, push four SAUDER TWIST-LOCK® FASTENERS (36F) into the large holes in the BRACE (F).

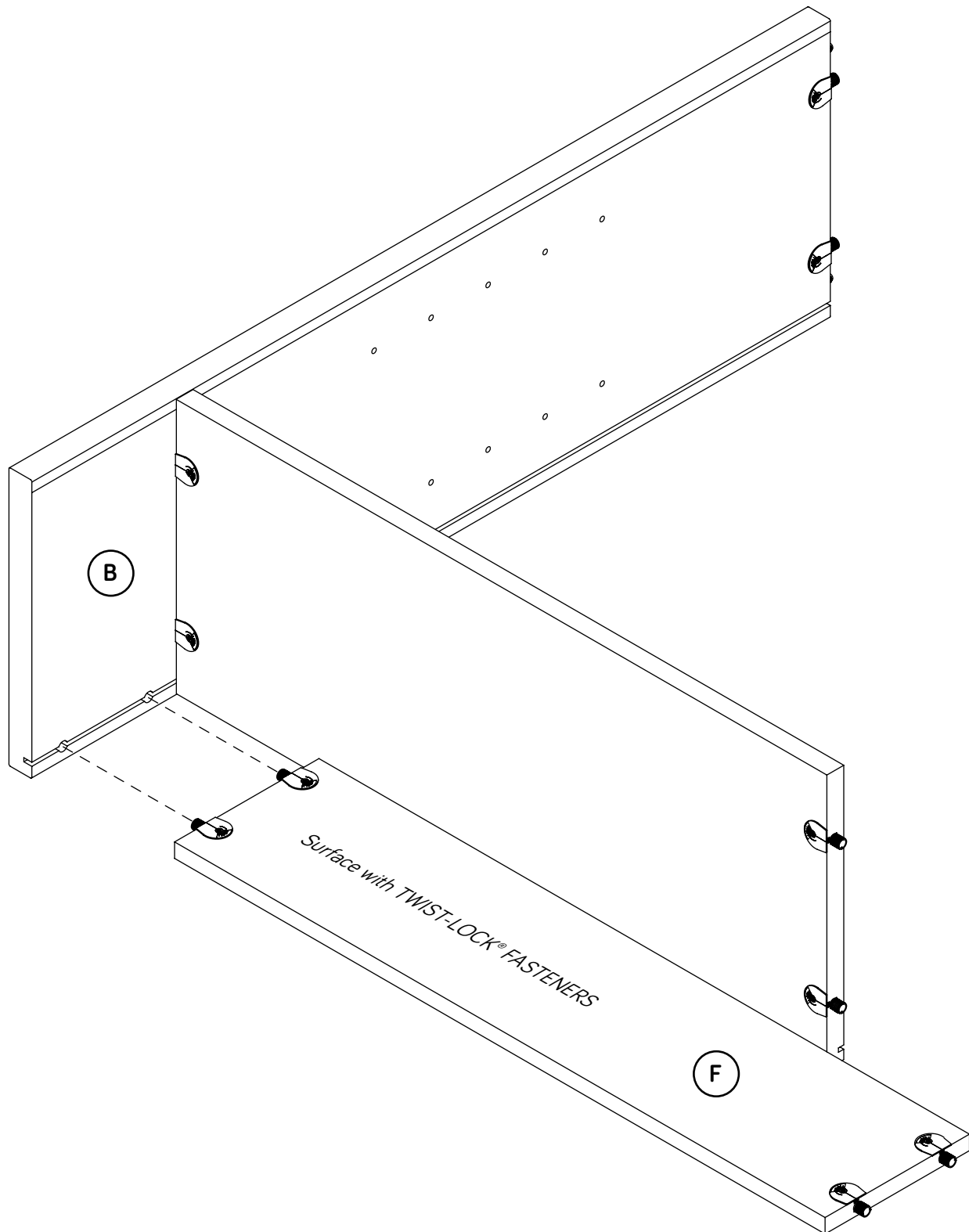


Just think. The sooner you do this, the sooner you do something else.



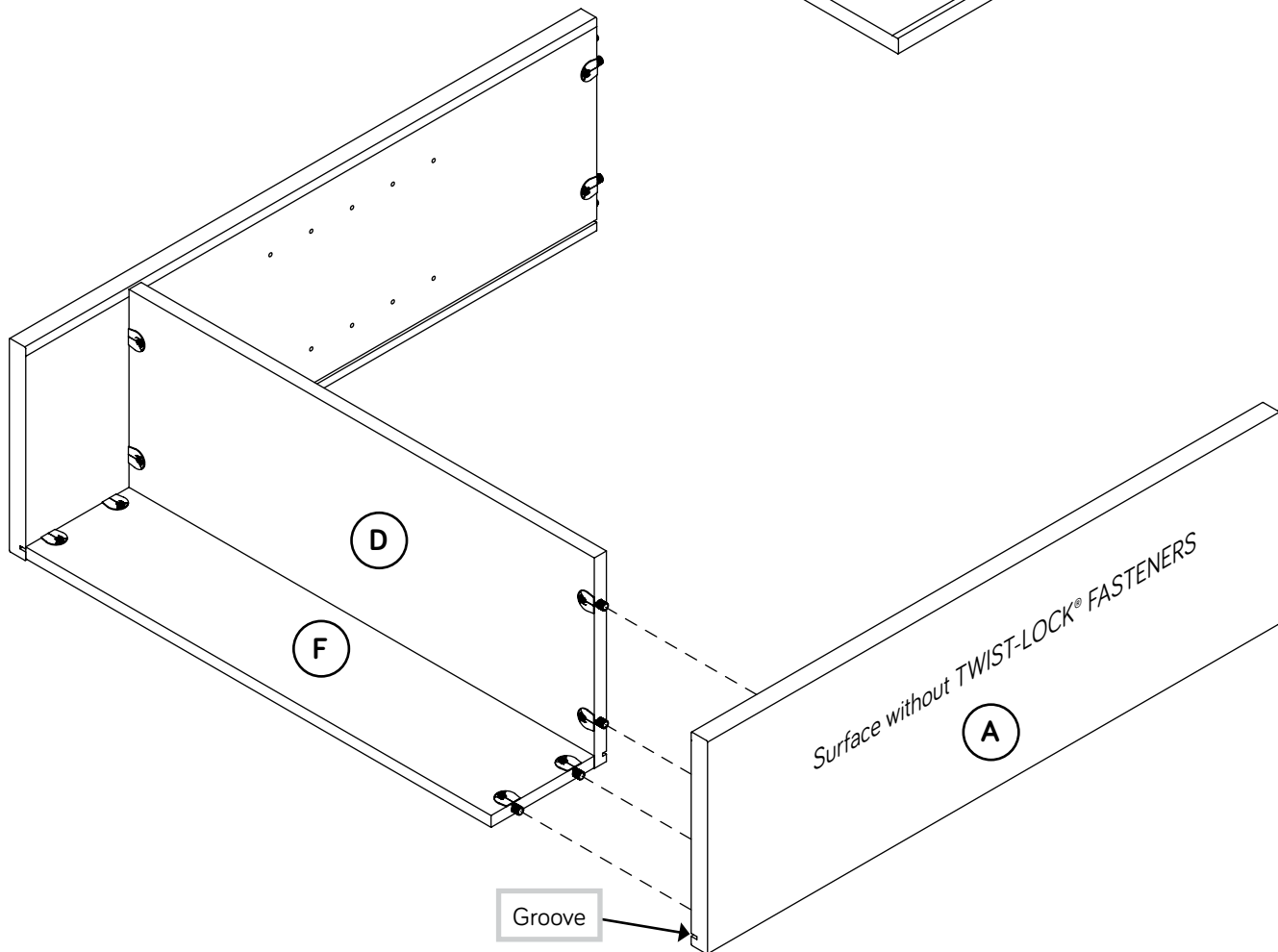
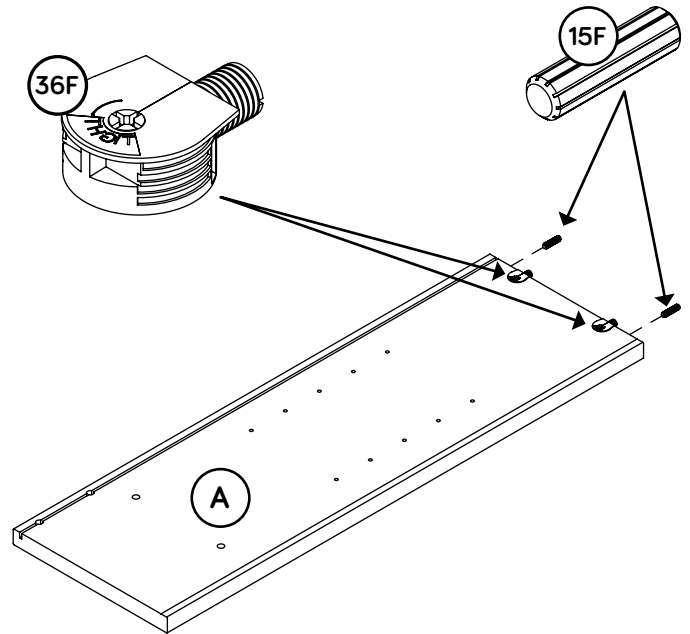
Step 4

- Fasten the BRACE (F) to the LEFT END (B). Tighten two TWIST-LOCK® FASTENERS.



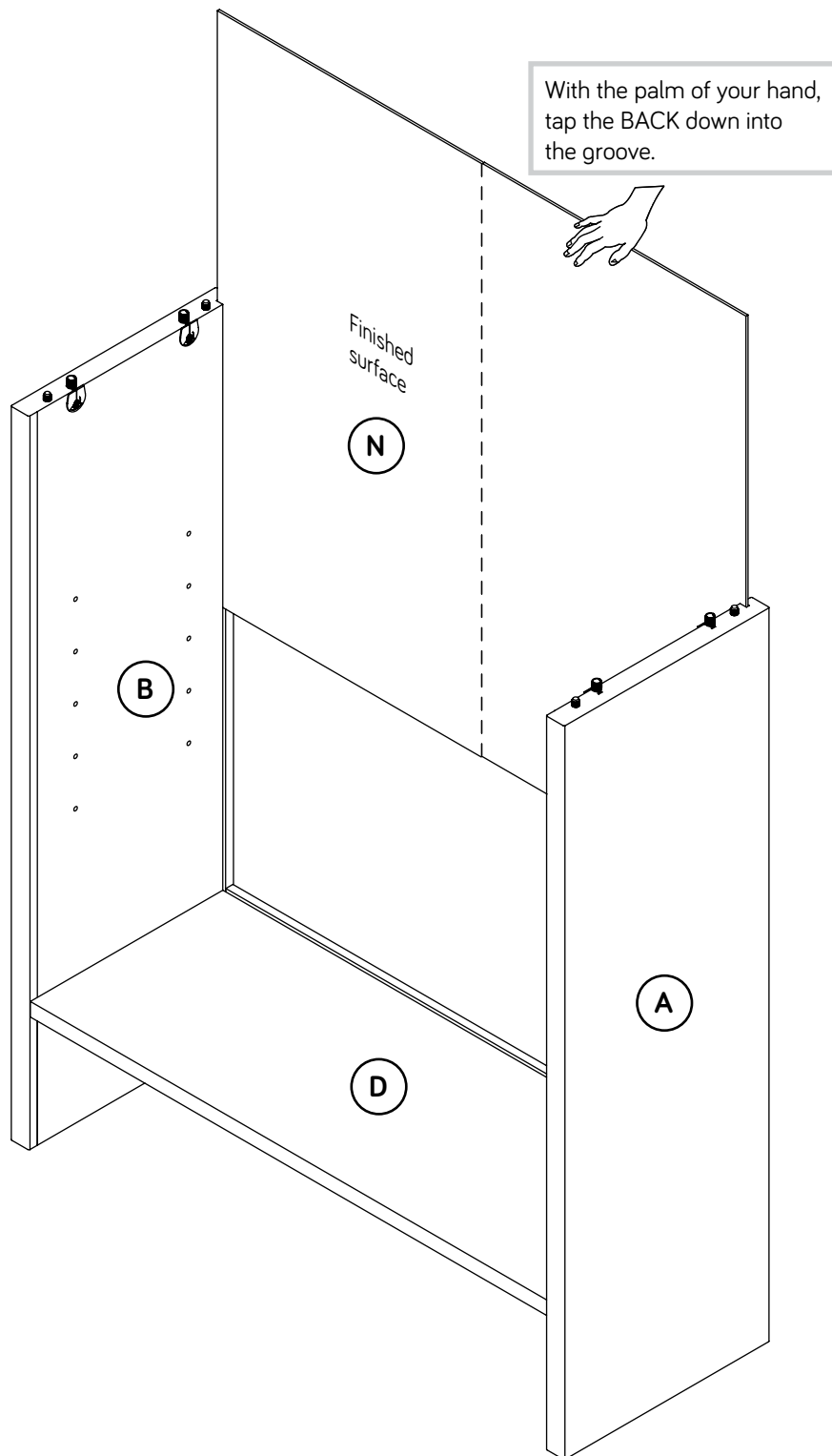
Step 5

- ✚ Push two SAUDER TWIST-LOCK® FASTENERS (36F) into the large holes in the RIGHT END (A).
- ✚ Insert two WOOD DOWELS (15F) into the RIGHT END (A).
- ✚ Fasten the RIGHT END (A) to the FIXED SHELF (D) and BRACE (F). Tighten four TWIST-LOCK® FASTENERS.



Step 6

- ✚ Carefully stand your unit upright.
- ✚ Slide the BACK (N) into the grooves in the ENDS (A and B) and FIXED SHELF (D).

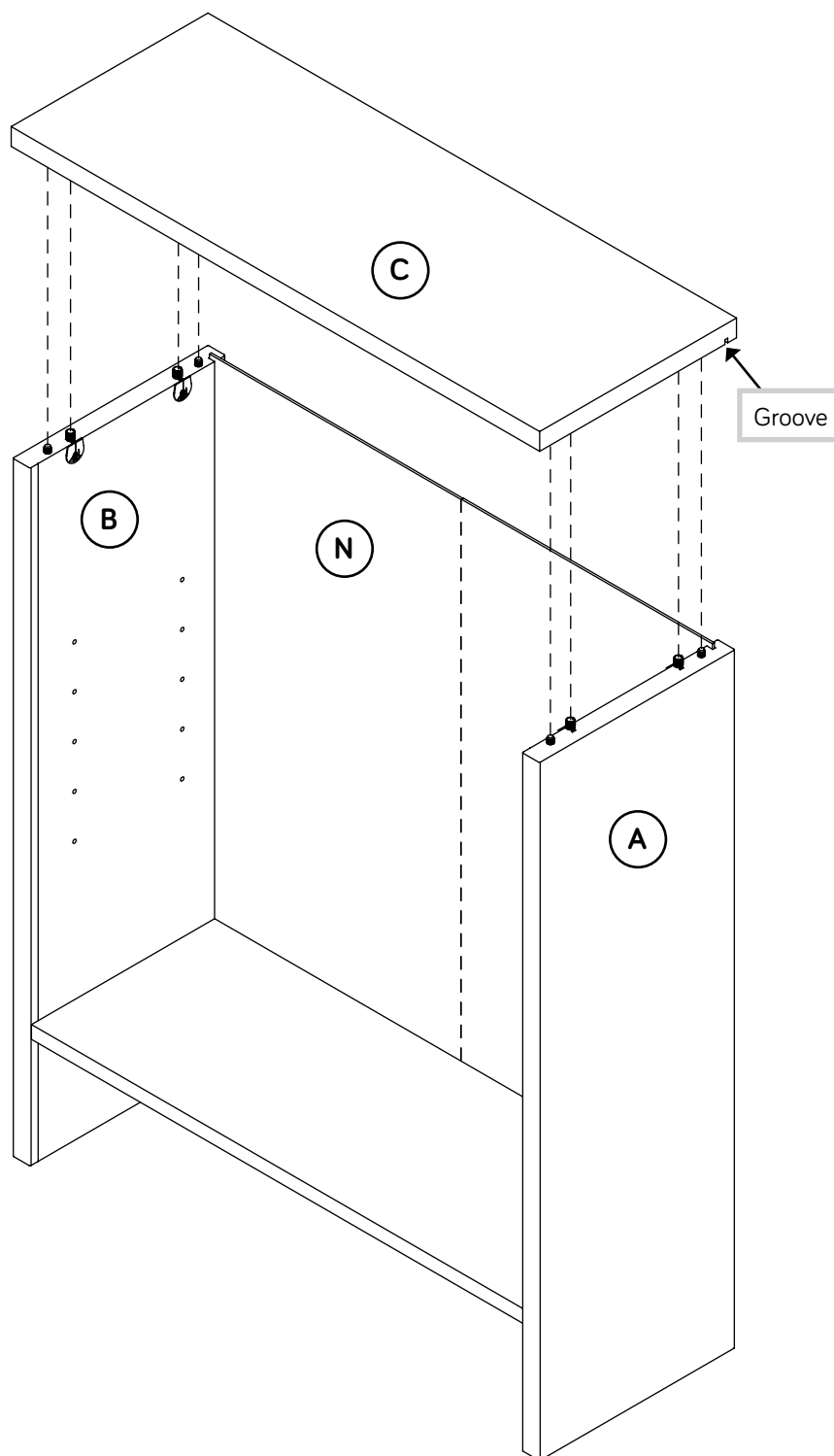


Step 7

✚ Fasten the TOP (C) to the ENDS (A and B). Tighten four TWIST-LOCK® FASTENERS.

✚ NOTE: Be sure the WOOD DOWELS in the ENDS insert into the TOP.

✚ NOTE: Be sure the groove in the TOP inserts into the BACK.

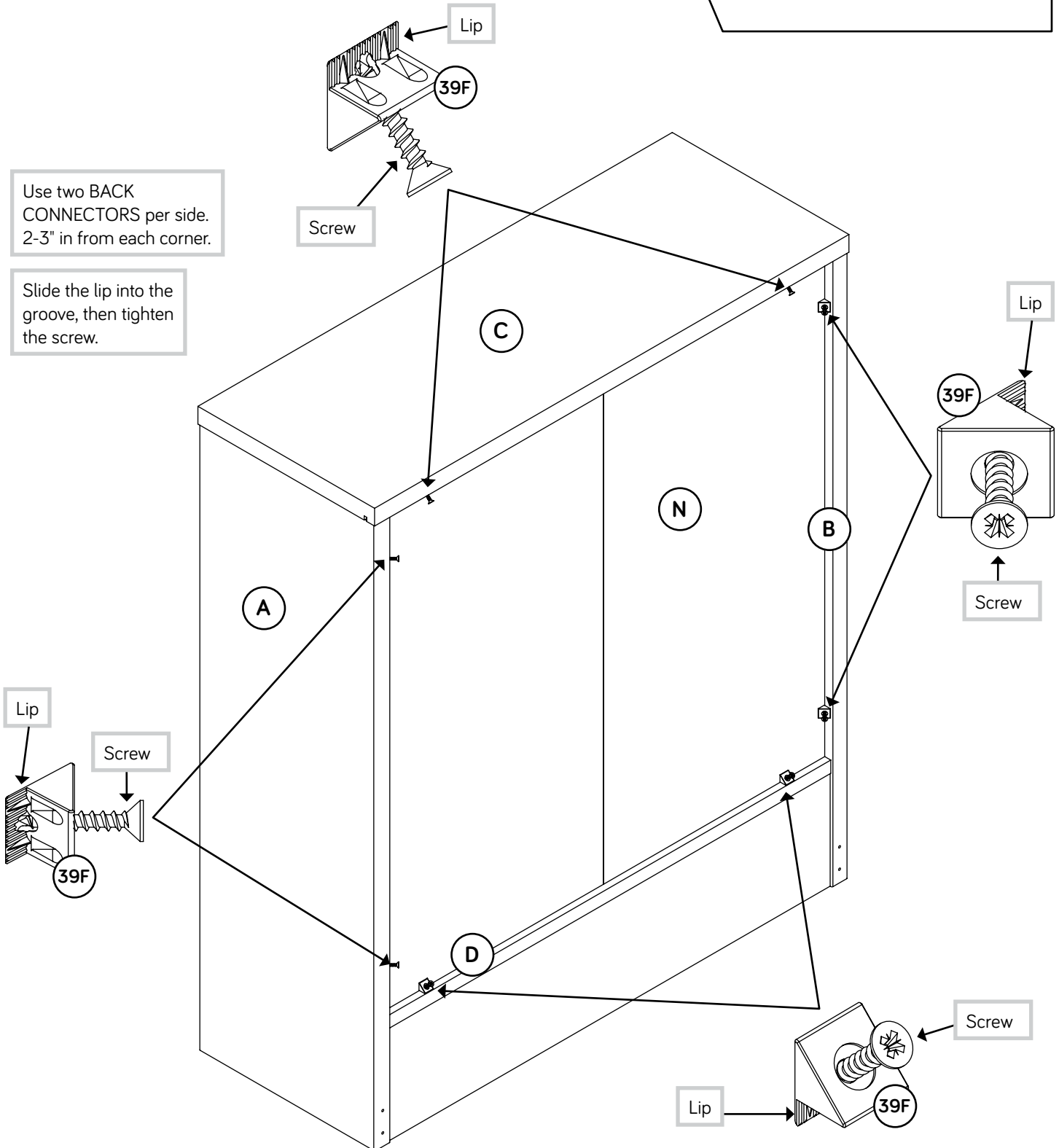


Step 8

Fasten eight BACK CONNECTORS (39F) to the ENDS (A and B), TOP (C), BOTTOM (D), and BACK (G). Tighten the SCREW in each BACK CONNECTOR.

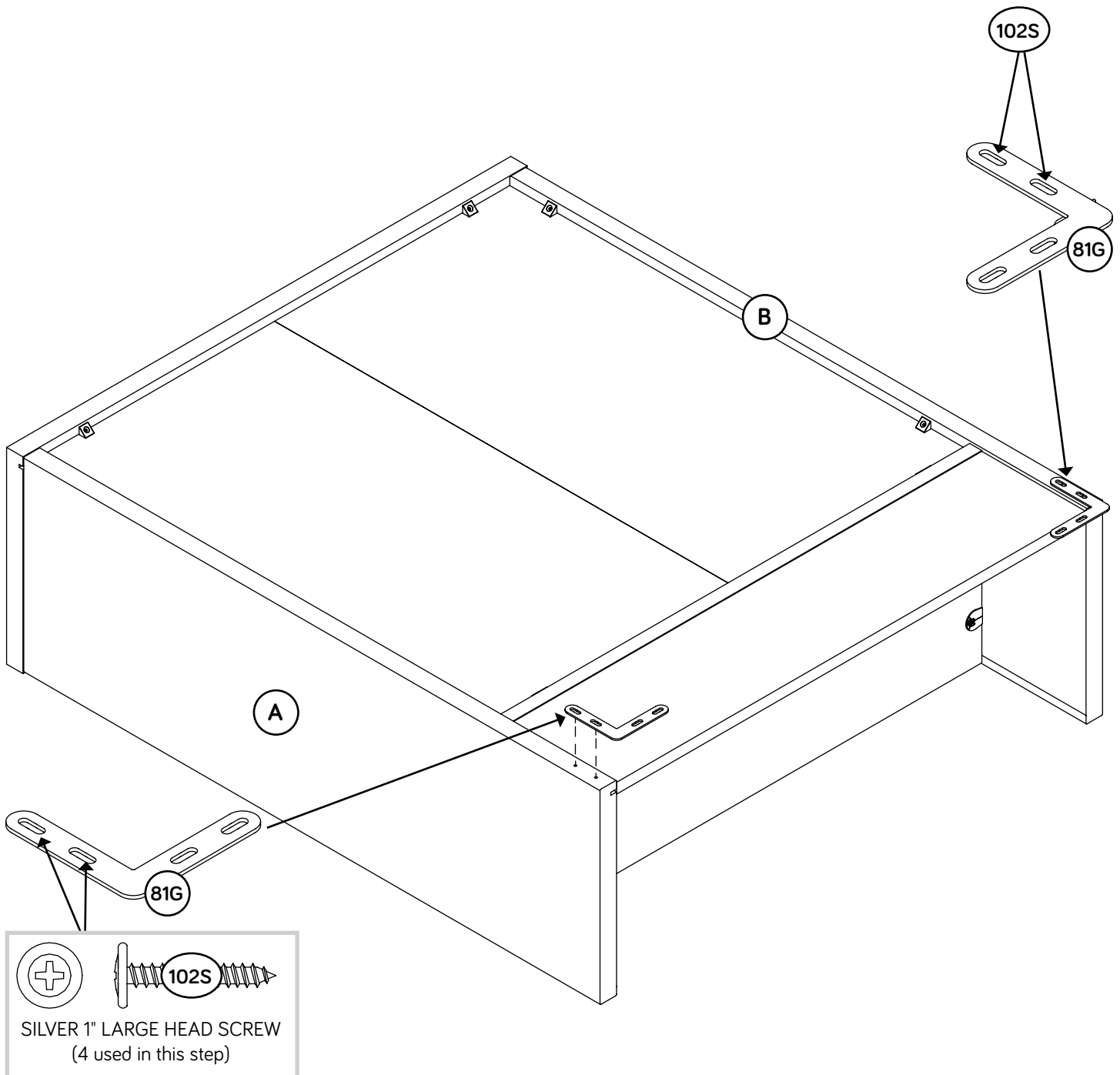


Now might be a good time to refresh your drink.



Step 9

- ✚ Carefully turn your unit onto its front edges.
- ✚ Fasten the BRACKET CONNECTORS to the ENDS (A and B).
Use four SILVER 1" LARGE HEAD SCREWS (102S).

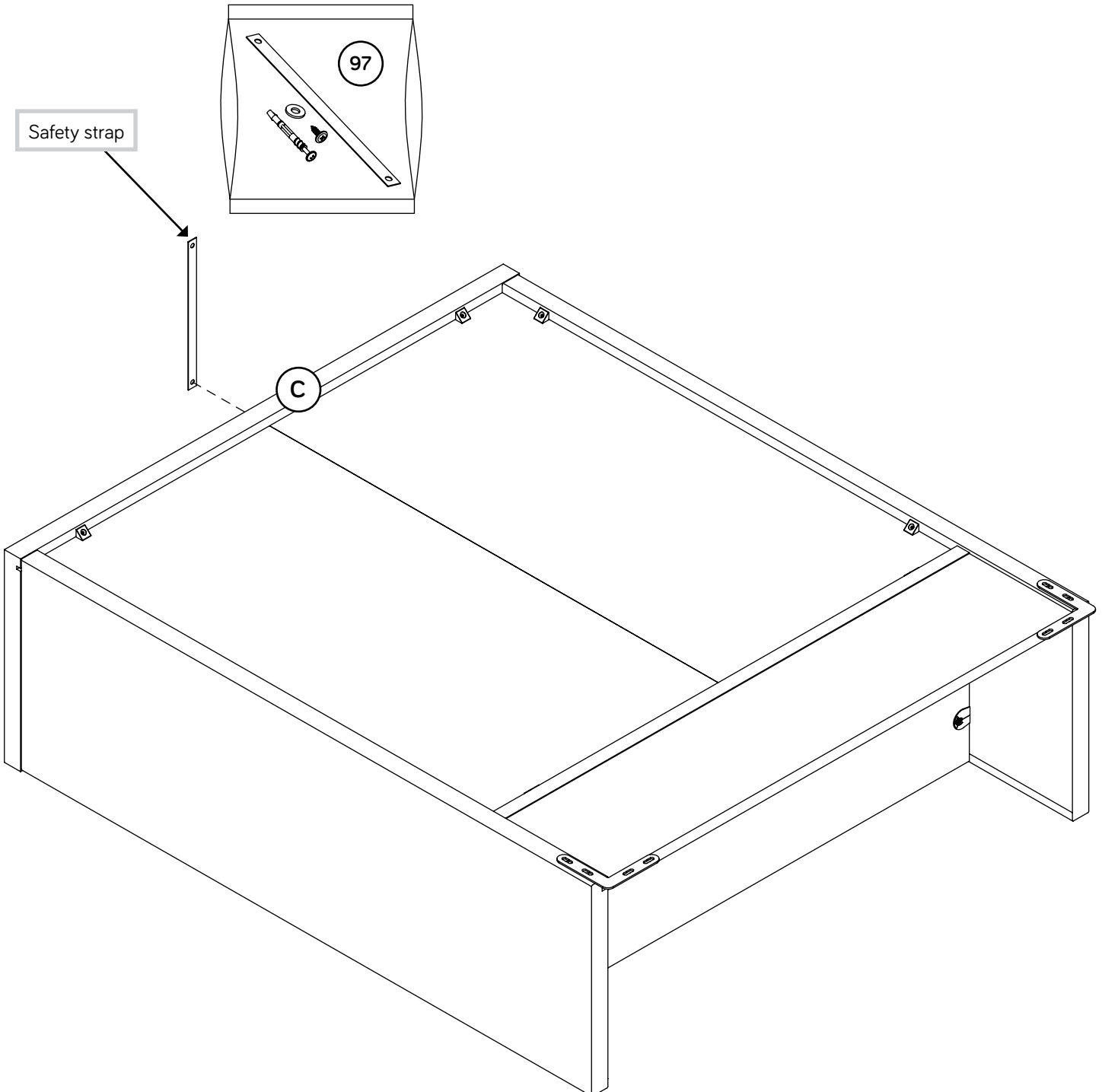


Step 10

✚ Open the FURNITURE TIPPING RESTRAINT KIT (97) and fasten the SAFETY STRAP to the TOP (C). Use the short screw provided.

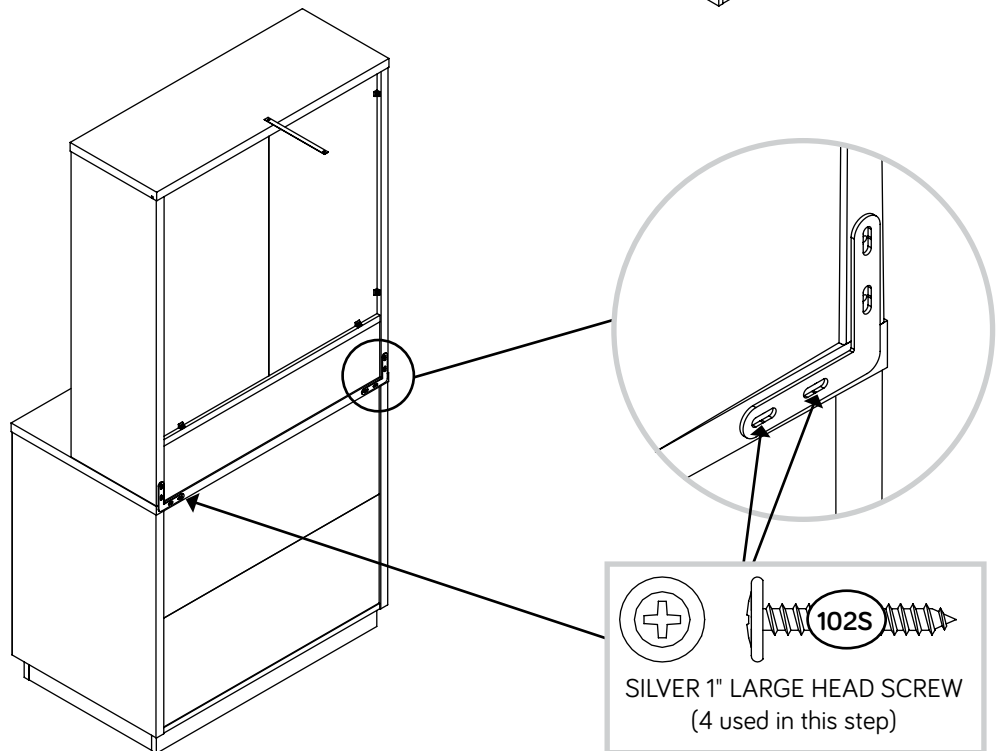
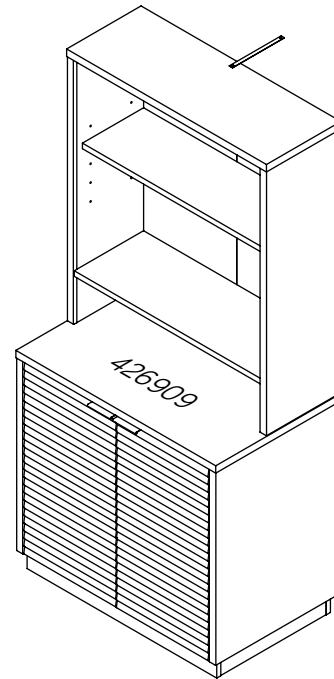
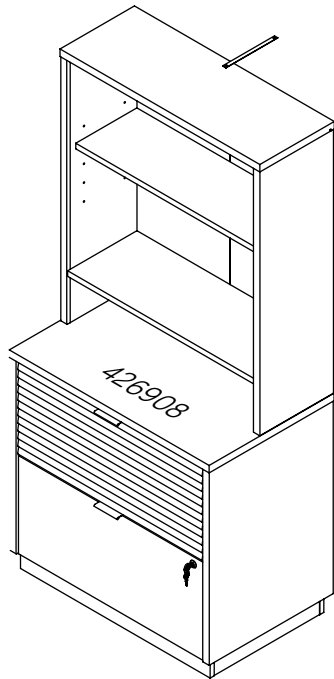
✚ NOTE: Position the SAFETY STRAP exactly as shown.

✚ NOTE: There is no pre-drilled hole in the TOP (C). Use extra force when turning this SCREW.



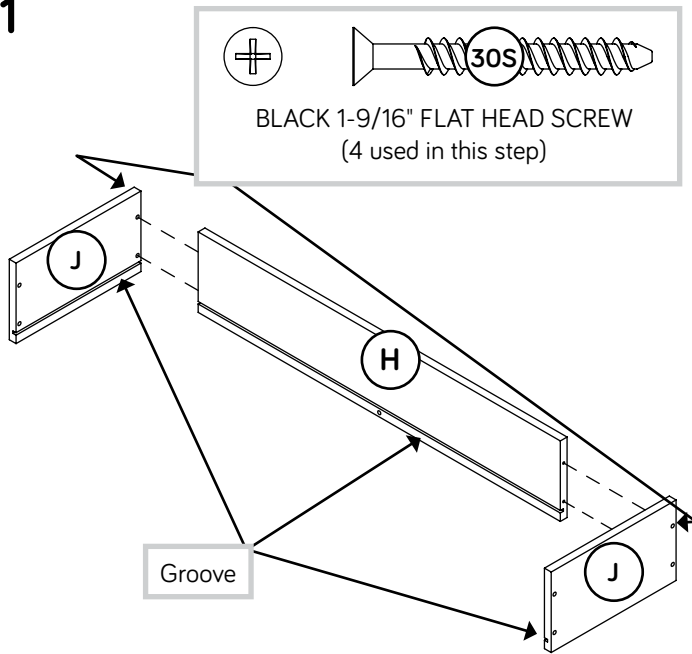
Step 11

- ✦ You have the option to attach this unit to the 426908 and 426909. Below shows how to attach it to either unit.
- ✦ Fasten the unit to either the 426908 and 426909. Use four SILVER 1" LARGE HEAD SCREWS (102S).



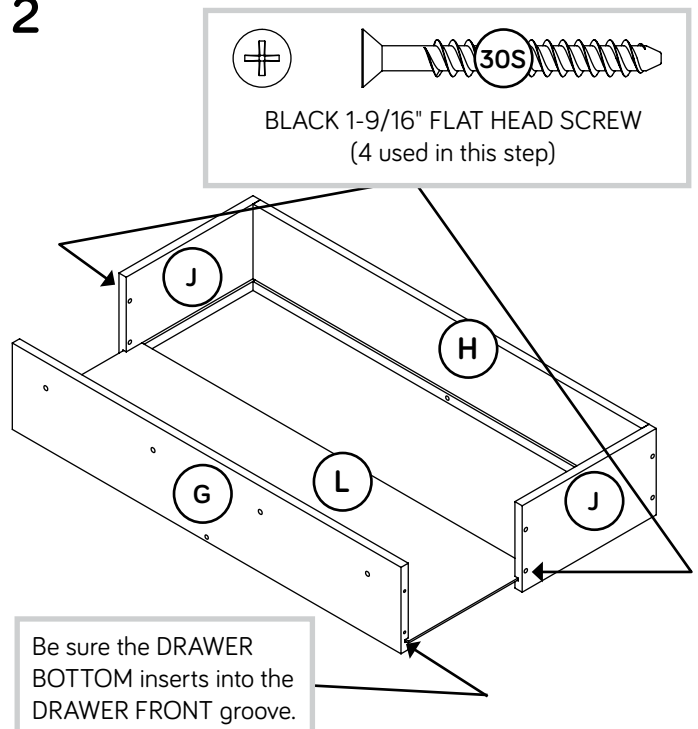
Step 12

1



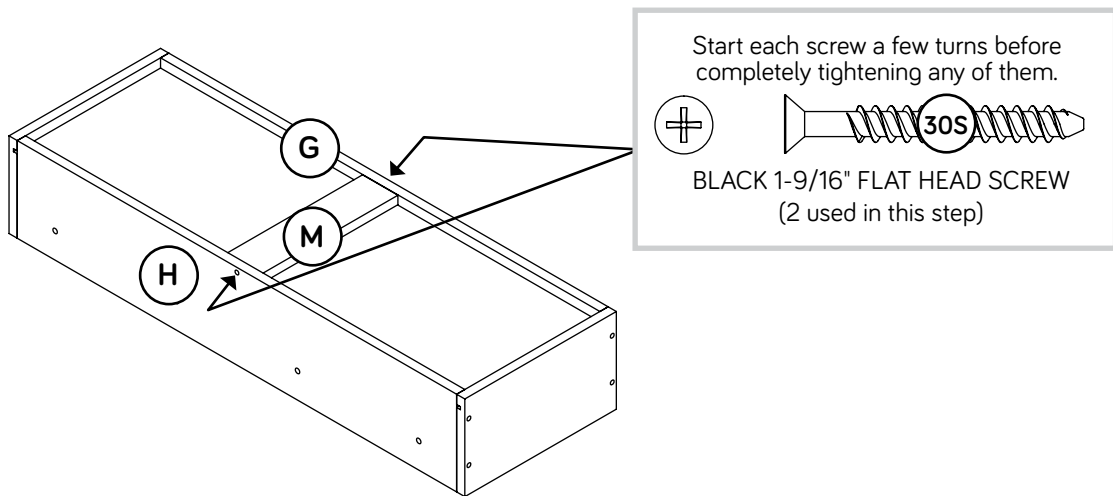
- Fasten the DRAWER SIDES (J) to the DRAWER BACK (H). Use four BLACK 1-9/16" FLAT HEAD SCREWS (30S).

2



- Slide the DRAWER BOTTOM (L) into the grooves in the DRAWER SIDES (J) and DRAWER BACK (H).
- Fasten the DRAWER BOX FRONT (G) to the DRAWER SIDES (J). Use four BLACK 1-9/16" FLAT HEAD SCREWS (30S).

3

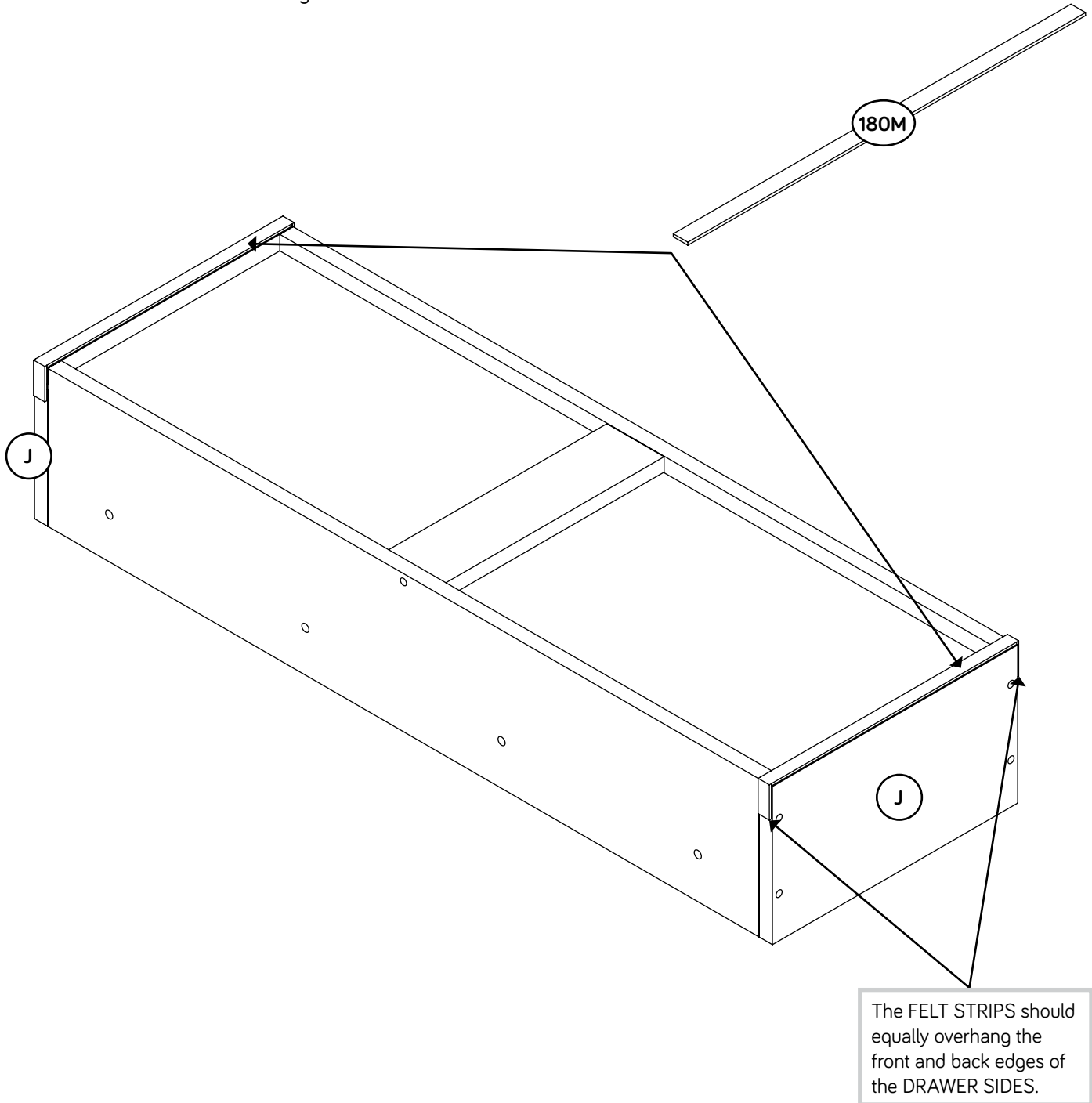


- Turn the drawer onto its top.
- Fasten the DRAWER BRACE (M) to the DRAWER BOX FRONT (G) and DRAWER BACK (H). Use two BLACK 1-9/16" FLAT HEAD SCREWS (30S).

Step 13

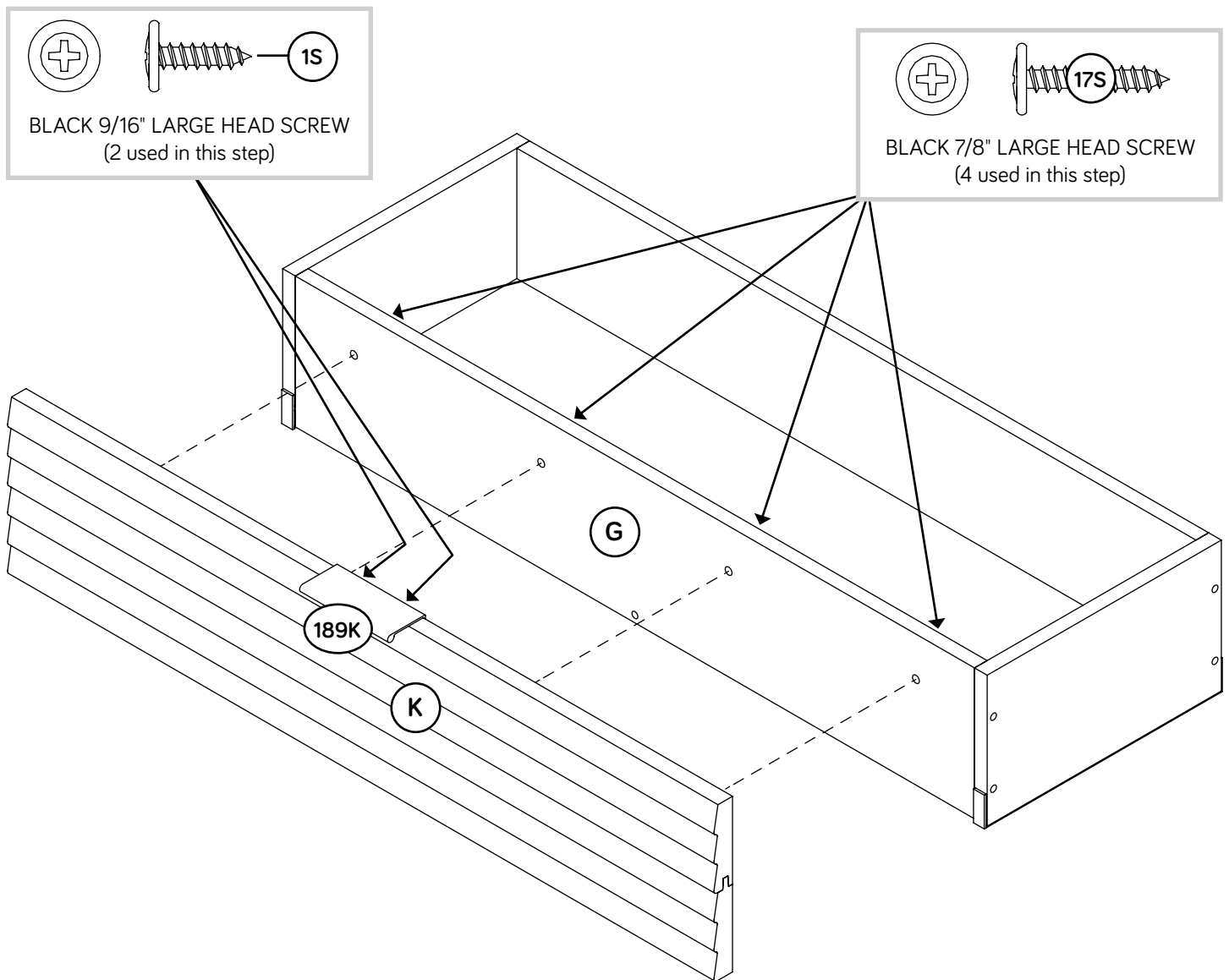
✚ Apply the FELT STRIPS (180M) to the bottom, front and back edges of the DRAWER SIDES (J) as shown.

✚ NOTE: The FELT STRIPS should completely cover the bottom edges of the DRAWER SIDES and wrap equally around the front and back edges.



Step 14

- Turn your drawer onto its bottom.
- Fasten the DRAWER FRONT (K) to the DRAWER BOX FRONT (G). Use four BLACK 7/8" LARGE HEAD SCREWS (17S).
- Fasten the PULL (189K) to the DRAWER FRONT (K). Use two BLACK 9/16" LARGE HEAD SCREWS (1S).



Step 15

✚ Position your unit in its final location. We recommend using the SAFETY STRAP for added stability.

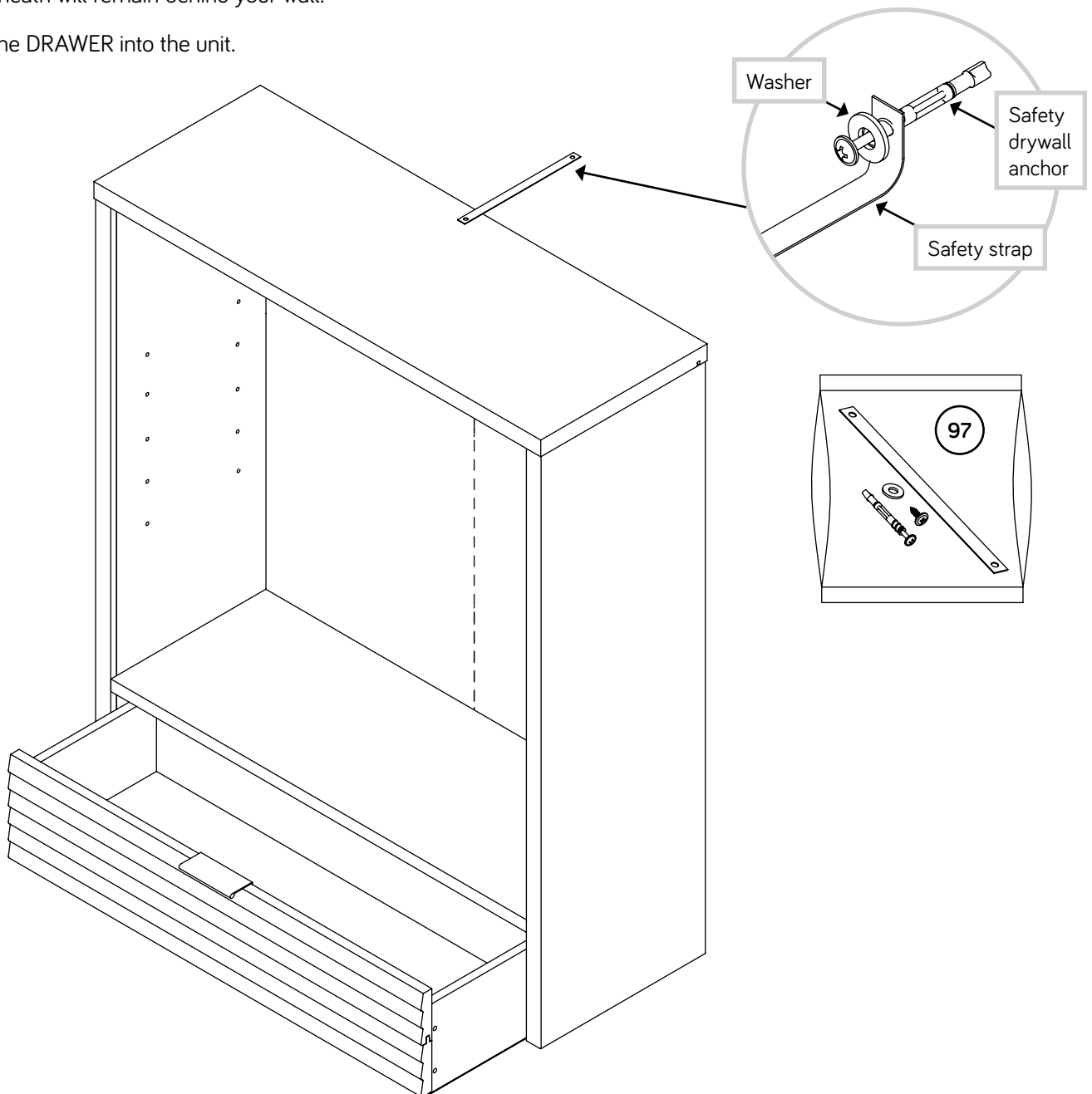
✚ **NOTE:** Do not turn the SAFETY DRYWALL ANCHOR into a wall stud. If you prefer to fasten the SAFETY STRAP to a wall stud, go to your local hardware store for proper hardware.

✚ **INSTALLATION INSTRUCTIONS:**

1. Insert the SAFETY DRYWALL ANCHOR through the WASHER and the end of the SAFETY STRAP.
2. Using a Phillips screwdriver or a hand drill, press the screw slightly onto the drywall.
3. Apply pressure; turn the screw until a pilot hole is made and the nylon sheath slips through.
4. Turn the screw until it is flush against the wall and you feel a firm resistance.
5. Continue to turn until the screw starts spinning freely.

✚ **NOTE:** Before moving your unit to a different location, unscrew the SAFETY DRYWALL ANCHOR from your wall. The nylon sheath will remain behind your wall.

✚ Insert the DRAWER into the unit.



Step 16

- ✚ Push the RUBBER SLEEVES (2R) over one end of the METAL PINS (1R). Insert the METAL PINS into the hole locations of your choice in the ENDS (A and B). Set the ADJUSTABLE SHELF (E) onto the METAL PINS.
- ✚ NOTE: Please read the back pages of the instruction booklet for important safety information.
- ✚ This completes assembly. Clean with a damp cloth. Wipe dry.

