

Get crafty.

Wall Mounted Pegboard with Thread Storage

Craft Collection | Model 5423412

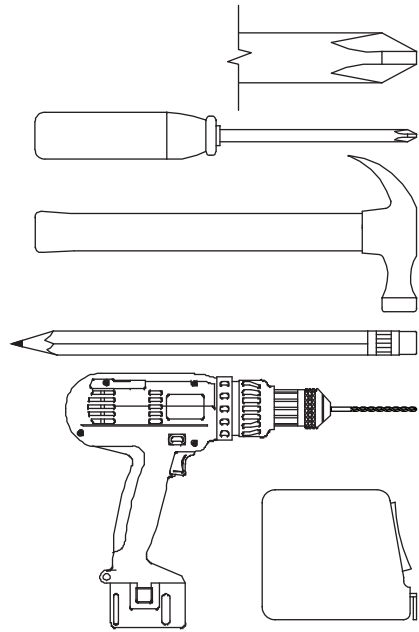
NOTE: THIS INSTRUCTION BOOKLET CONTAINS **IMPORTANT** SAFETY INFORMATION.

PLEASE READ AND KEEP FOR FUTURE REFERENCE.

Table of Contents

Assembly Tools Required

| | |
|-------------------------|------|
| Part Identification | 3 |
| Hardware Identification | 3 |
| Assembly Steps | 4-6 |
| Français | 7 |
| Español | 8 |
| Safety | 9-10 |
| Warranty | 11 |



No. 2 Phillips Screwdriver
Tip Shown Actual Size

Hammer
Not actual size 😊

Pencil

Electric drill with 1/4" bit
(ONLY in indicated step)

Tape Measure

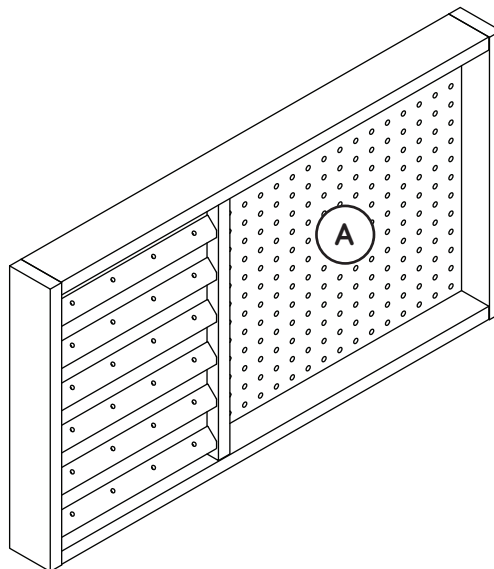
Part Identification

Now you know
our ABCs.



⚠ While not all parts are labeled, some of the parts will have a label or an inked letter on the edge to help distinguish similar parts from each other. Use this part identification to help identify similar parts.

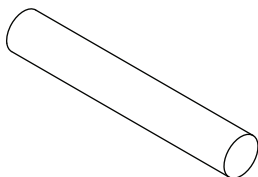
A | UNIT (1)



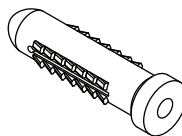
Hardware Identification

⚠ Screws are shown actual size. You may receive extra hardware with your unit.

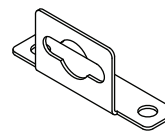
1 PEG - 24



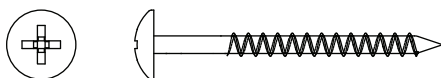
2 WALL ANCHOR - 2



3 BRACKET - 2



4 SILVER 1-1/2" PAN HEAD SCREW - 2

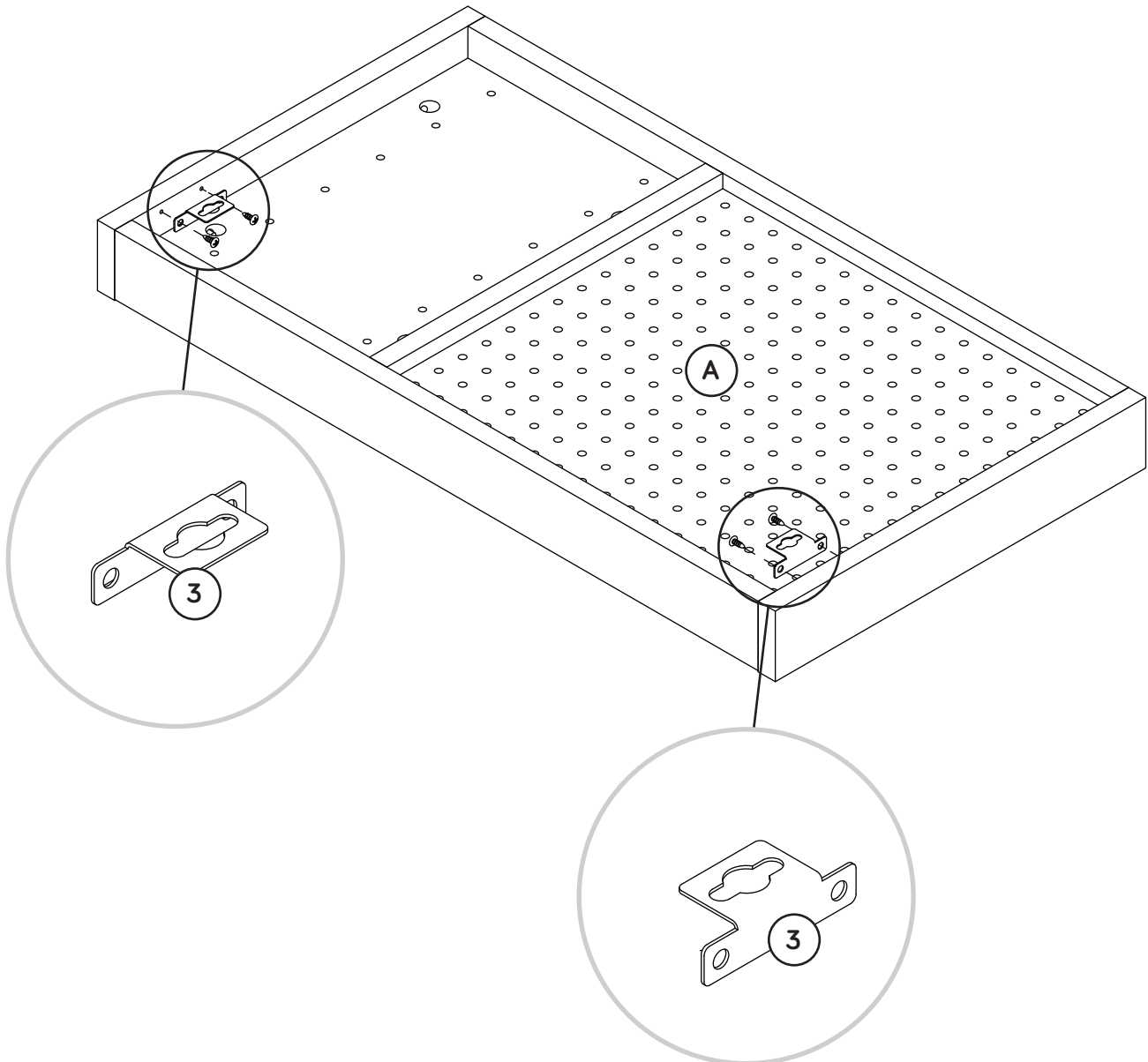
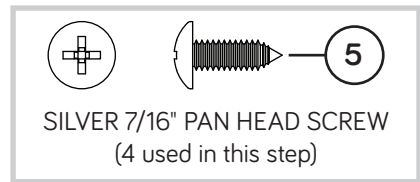


5 SILVER 7/16" PAN HEAD SCREW - 4



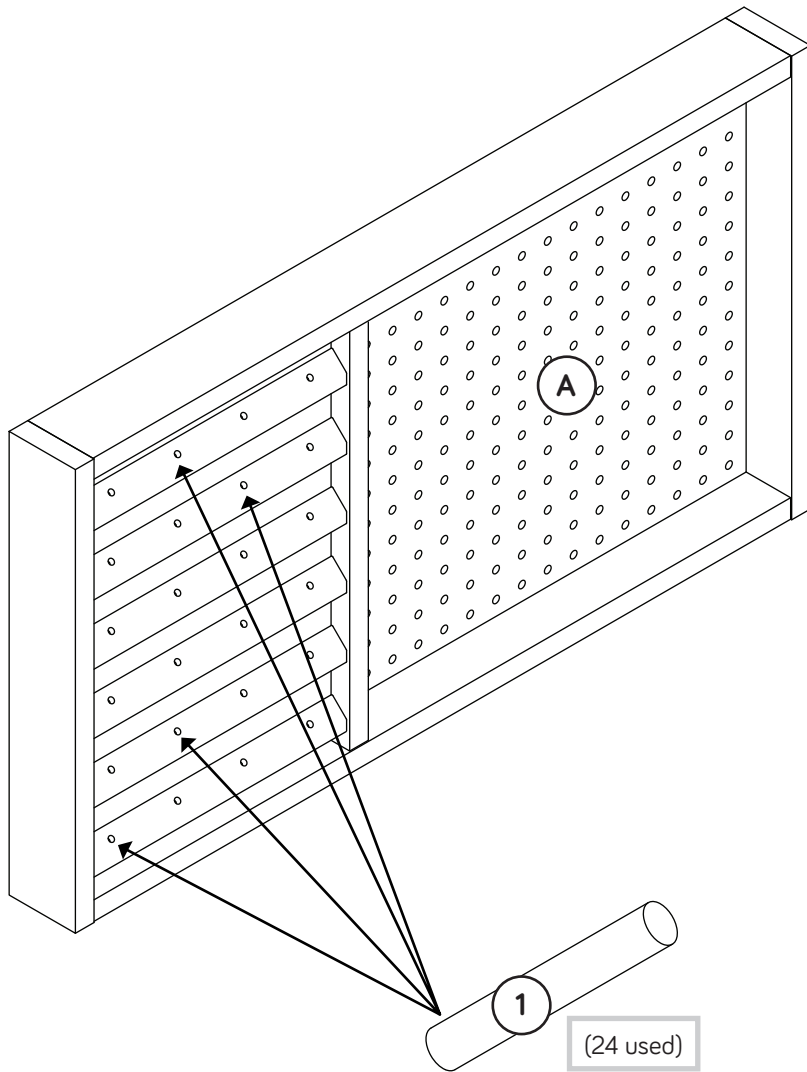
Step 1

- ✚ Assemble your unit on a carpeted floor or on the empty carton to avoid scratching your unit or the floor.
- ✚ Turn the UNIT (A) onto its front edges.
- ✚ Fasten the BRACKETS (3) to the UNIT (A) exactly as shown. Use four SILVER 7/16" PAN HEAD SCREWS (5).



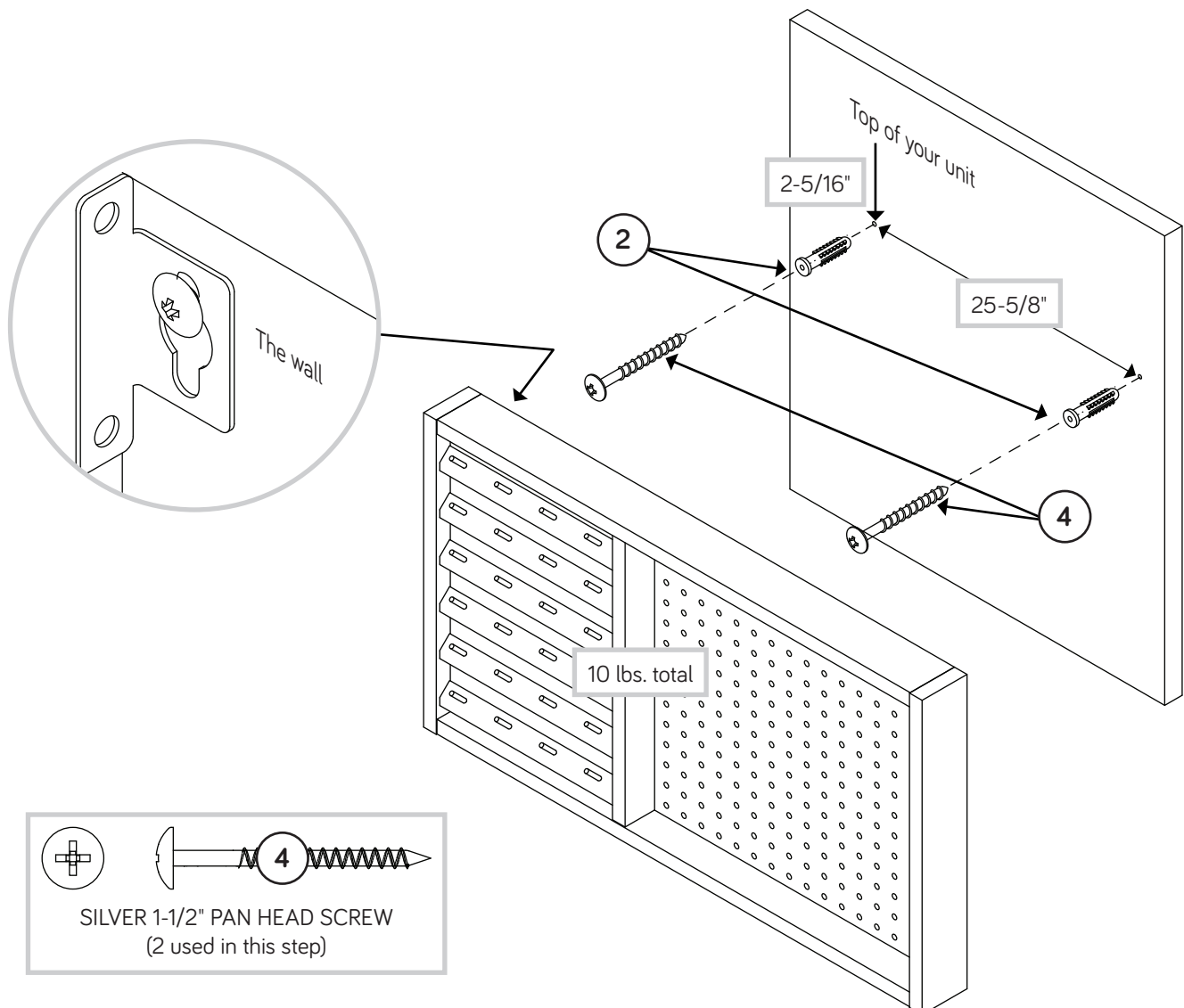
Step 2

- ✚ Stand your unit upright.
- ✚ Insert the PEGS (1) into the UNIT (A).



Step 3

- ✚ The centers of the BRACKETS used to hang your unit are spaced 25-5/8" apart. With your tape measure, measure the distance on your wall. Then, mark the locations on your wall with a pencil. The marks should be 2-5/16" down from the top of your unit.
- ✚ Next, drill the holes that are marked on the wall using a 1/4" drill bit.
- ✚ **NOTE:** If attaching the Thread Storage to a wall made of concrete, plaster, or other material, go to your local hardware store for proper hardware.
- ✚ Using your hammer, gently tap the WALL ANCHORS (2) into the holes in your wall. Then, turn two SILVER 1-1/2" PAN HEAD SCREWS (4) into the WALL ANCHORS (2).
- ✚ **NOTE:** Do not use a power screwdriver to tighten the SCREWS.
- ✚ **NOTE:** Do not completely tighten the SCREWS. There should be approximately a 3/16" gap between the SCREW and WALL ANCHOR.
- ✚ Carefully insert the SCREWS in your wall into the large holes in the brackets on the back of your unit. Then set the unit down into place.
- ✚ **NOTE:** Please read the back pages of the instruction booklet for important safety information.
- ✚ This completes assembly. Clean with your favorite furniture polish or a damp cloth. Wipe dry.



⚠ WARNING

Please use your furniture correctly and safely. Improper use can cause safety hazards, or damage to your furniture or household items. ***Carefully read the following chart.***

| Look out for: | What can happen: | How to avoid the problem: |
|---|---|---|
| <ul style="list-style-type: none">• Properly mounting the shelf to the wall. | <ul style="list-style-type: none">• If not properly mounted, the shelf can fall from the wall and cause injury and damage. | <ul style="list-style-type: none">• Carefully review and follow the mounting instructions contained in this manual. |
| <ul style="list-style-type: none">• Overloaded shelves. | <ul style="list-style-type: none">• Risk of injury or property damage.• Overloaded furniture can break. | <ul style="list-style-type: none">• Never exceed the weight limits shown in the instructions. |
| <ul style="list-style-type: none">• Improper use of furniture to support TV's.• Placing TV's on furniture items not intended to support them is hazardous. | <ul style="list-style-type: none">• Risk of injury or death. TV's can be very heavy. Plus the weight and location of the picture screen can make furniture tip forward. | <ul style="list-style-type: none">• This product is not designed to support a television. |