

Tidy up. Cruise around.

# Sewing/Craft Cart

Model 5414873

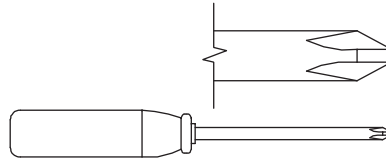
**NOTE:** THIS INSTRUCTION BOOKLET CONTAINS **IMPORTANT** SAFETY INFORMATION.

PLEASE READ AND KEEP FOR FUTURE REFERENCE.

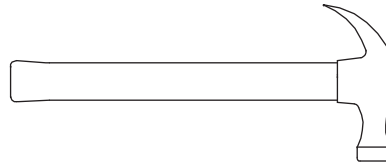
# Table of Contents

# Assembly Tools Required

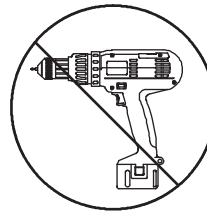
Part Identification	3
Hardware Identification	4
Assembly Steps	5-18
Français	19-21
Español	22-25
Safety	26
Warranty	27



No. 2 Phillips Screwdriver  
Tip Shown Actual Size



Hammer  
Not actual size 😊



Skip the power trip.  
This time.

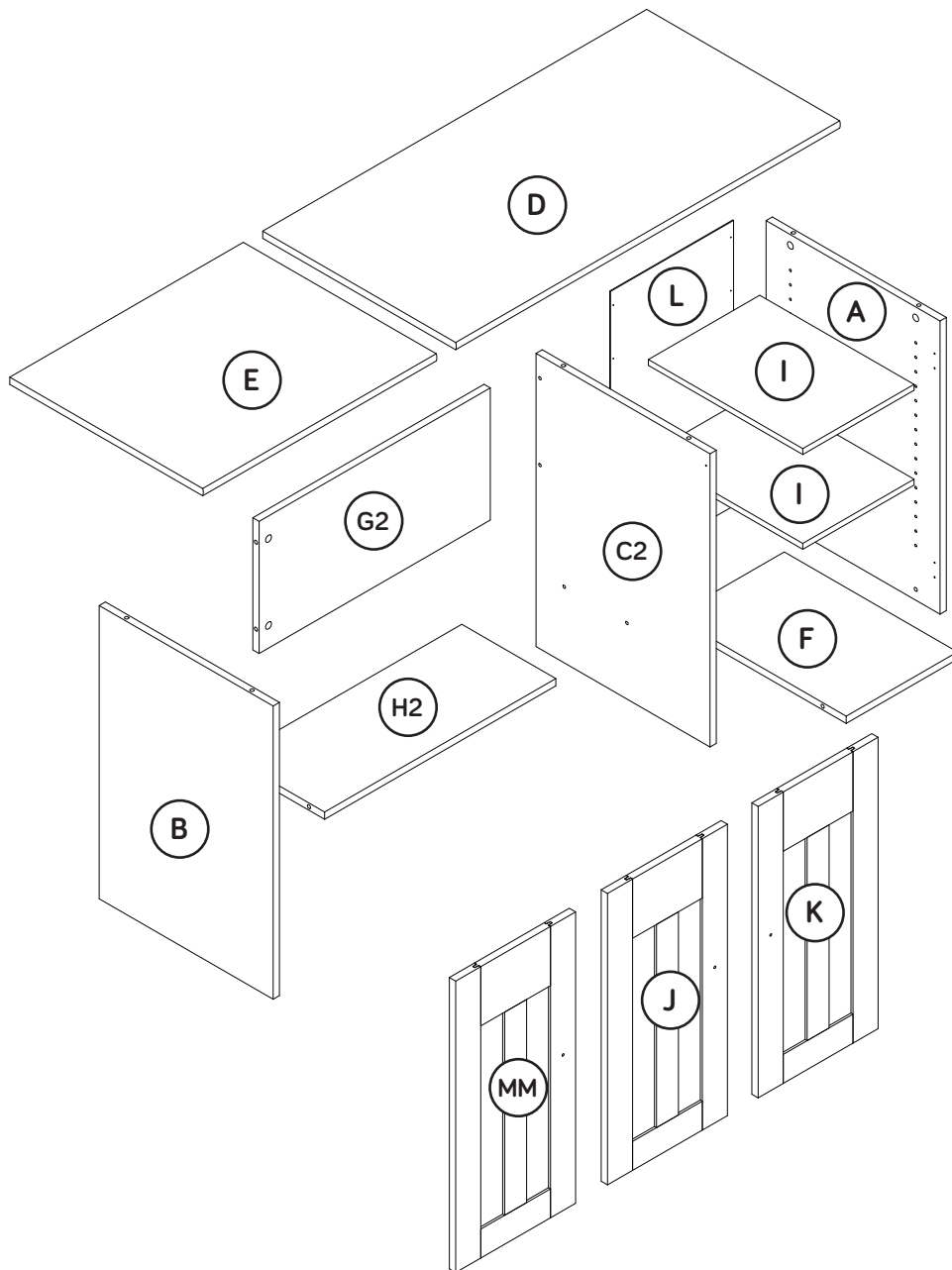
# Part Identification

Now you know  
our ABCs.



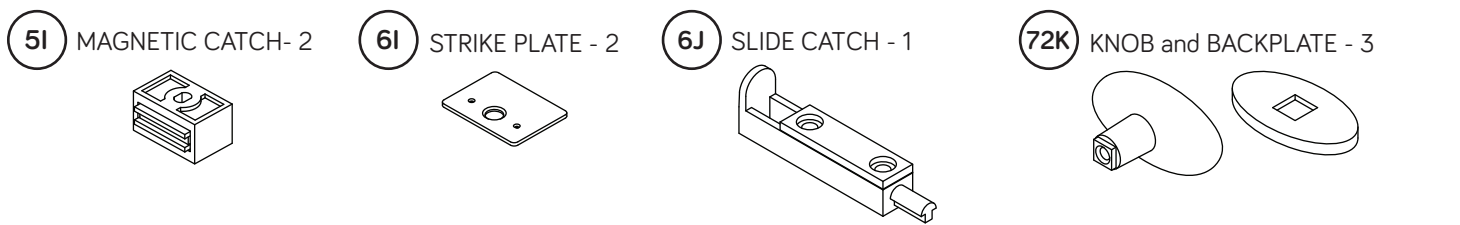
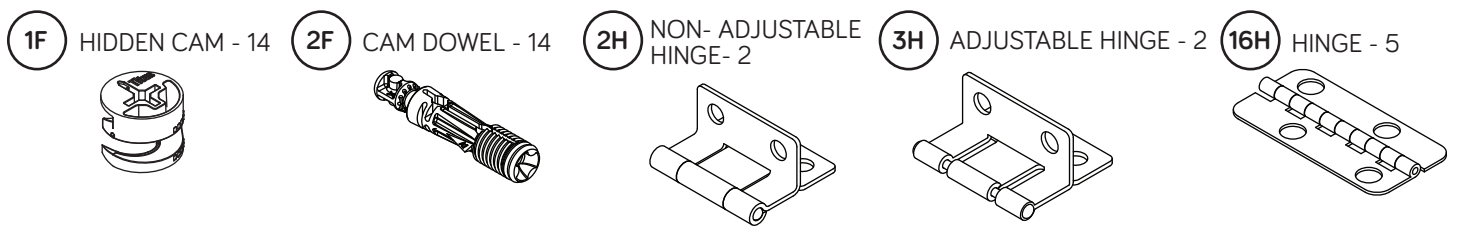
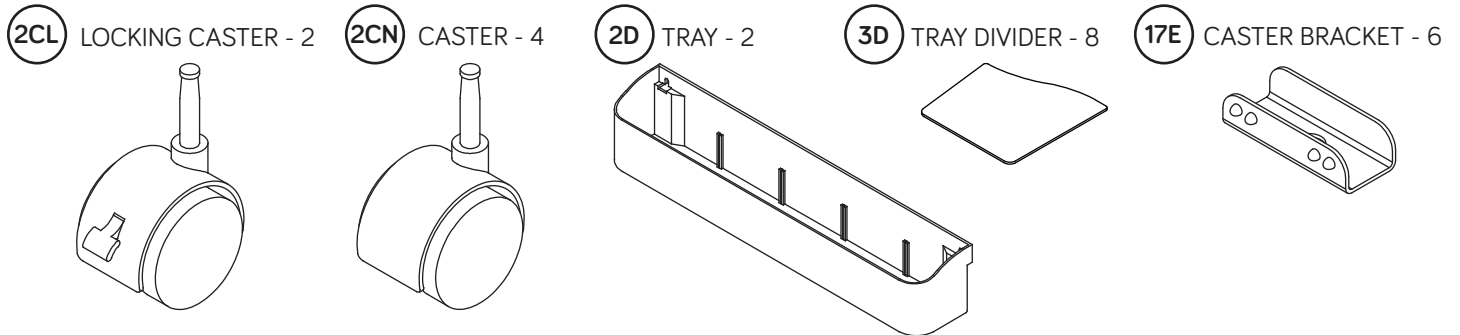
† While not all parts are labeled, some of the parts will have a label or an inked letter on the edge to help distinguish similar parts from each other. Use this part identification to help identify similar parts.

A	RIGHT END (1)	F	BOTTOM (1)	K	RIGHT DOOR (1)
B	LEFT END (1)	G2	MODESTY PANEL (1)	L	BACK (1)
C2	UPRIGHT (1)	H2	SHELF (1)	MM	LEFT DOOR (1)
D	TOP (1)	I	ADJUSTABLE SHELF (2)		
E	FLIP-UP TOP (1)	J	CENTER DOOR (1)		



# Hardware Identification

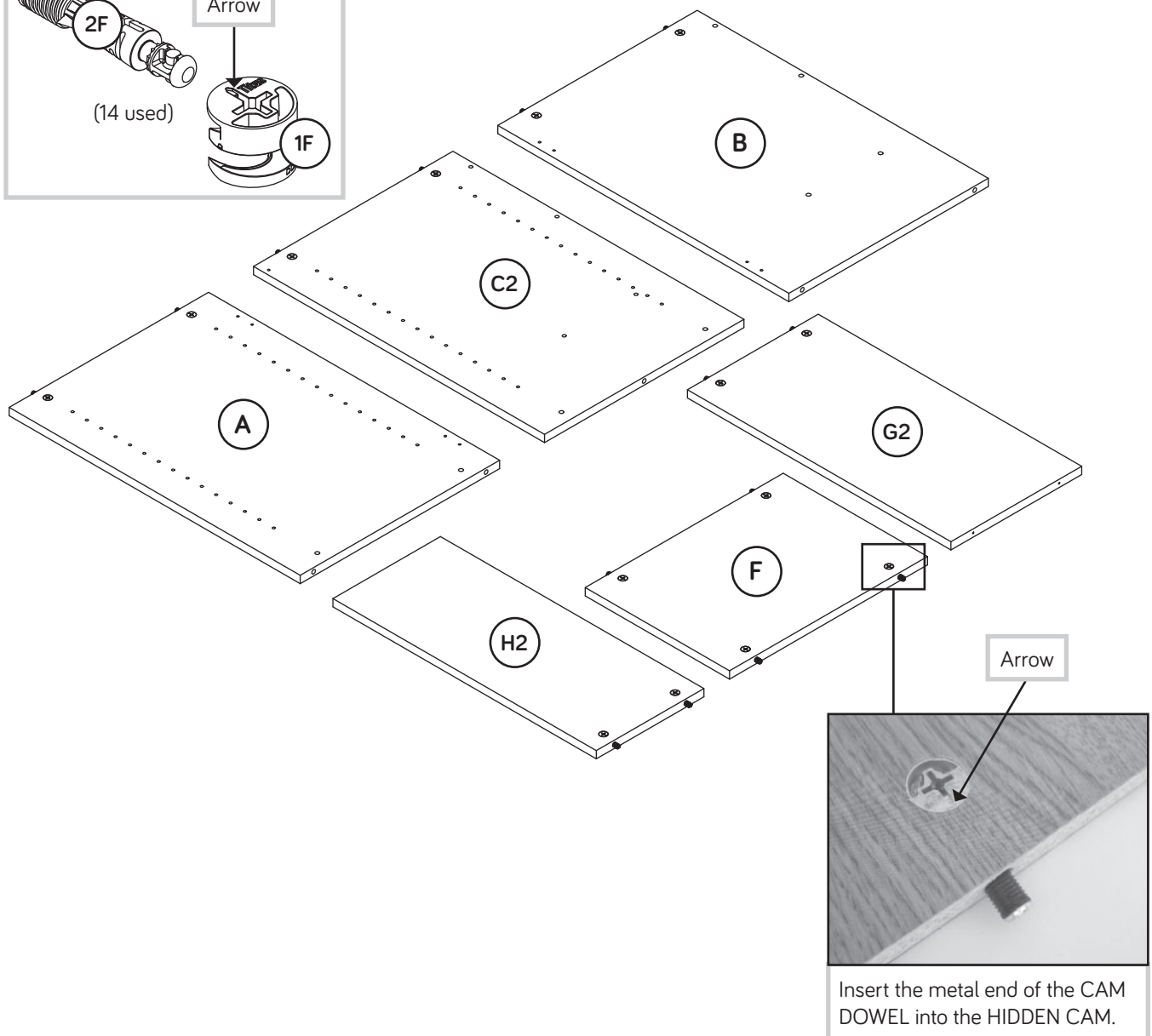
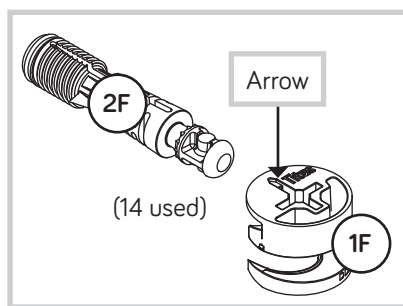
† Screws are shown actual size. You may receive extra hardware with your unit.



# Step 1

- ✦ Assemble your unit on a carpeted floor or on the empty carton to avoid scratching your unit or the floor.
- ✦ Push fourteen HIDDEN CAMS (1F) into the ENDS (A and B), UPRIGHT (C2), BOTTOM (F), MODESTY PANEL (G2), and SHELF (H2). Then, insert the metal end of a CAM DOWEL (2F) into each HIDDEN CAM.

Do not tighten the HIDDEN CAMS in this step.

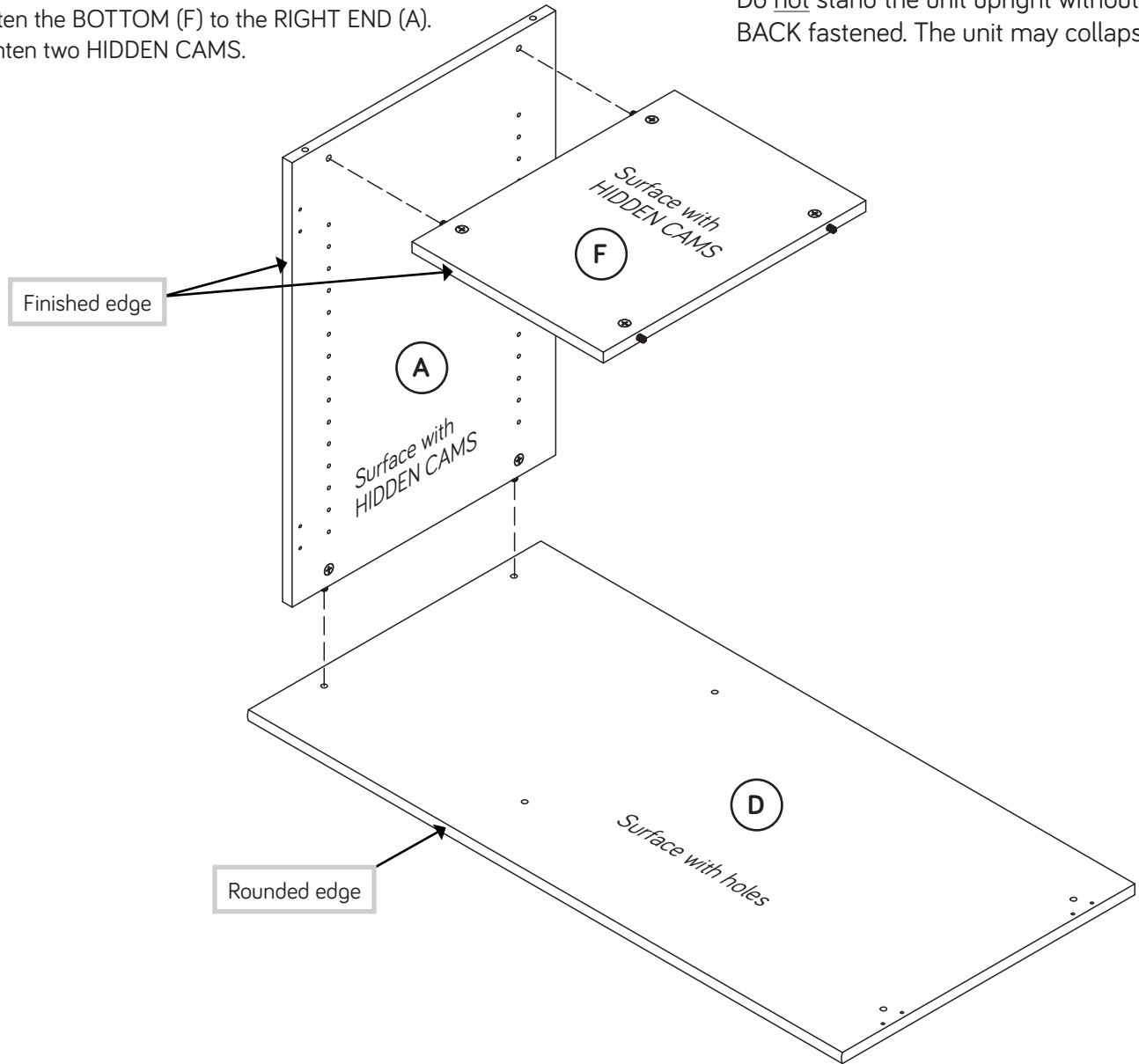


# Step 2

- Fasten the RIGHT END (A) to the TOP (D). Tighten two HIDDEN CAMS.
- Fasten the BOTTOM (F) to the RIGHT END (A). Tighten two HIDDEN CAMS.



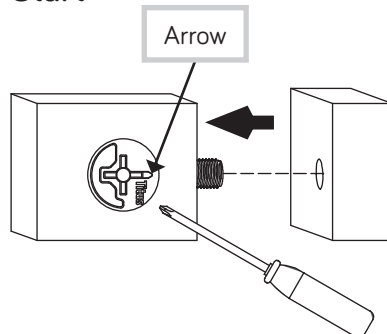
Do not stand the unit upright without the BACK fastened. The unit may collapse.



## Caution

Risk of damage or injury. HIDDEN CAMS must be completely tightened. HIDDEN CAMS that are not completely tightened may loosen, and parts may separate. To completely tighten:

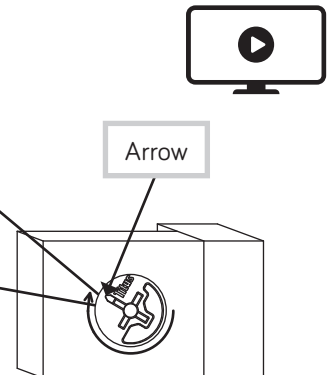
### Start



### Tighten

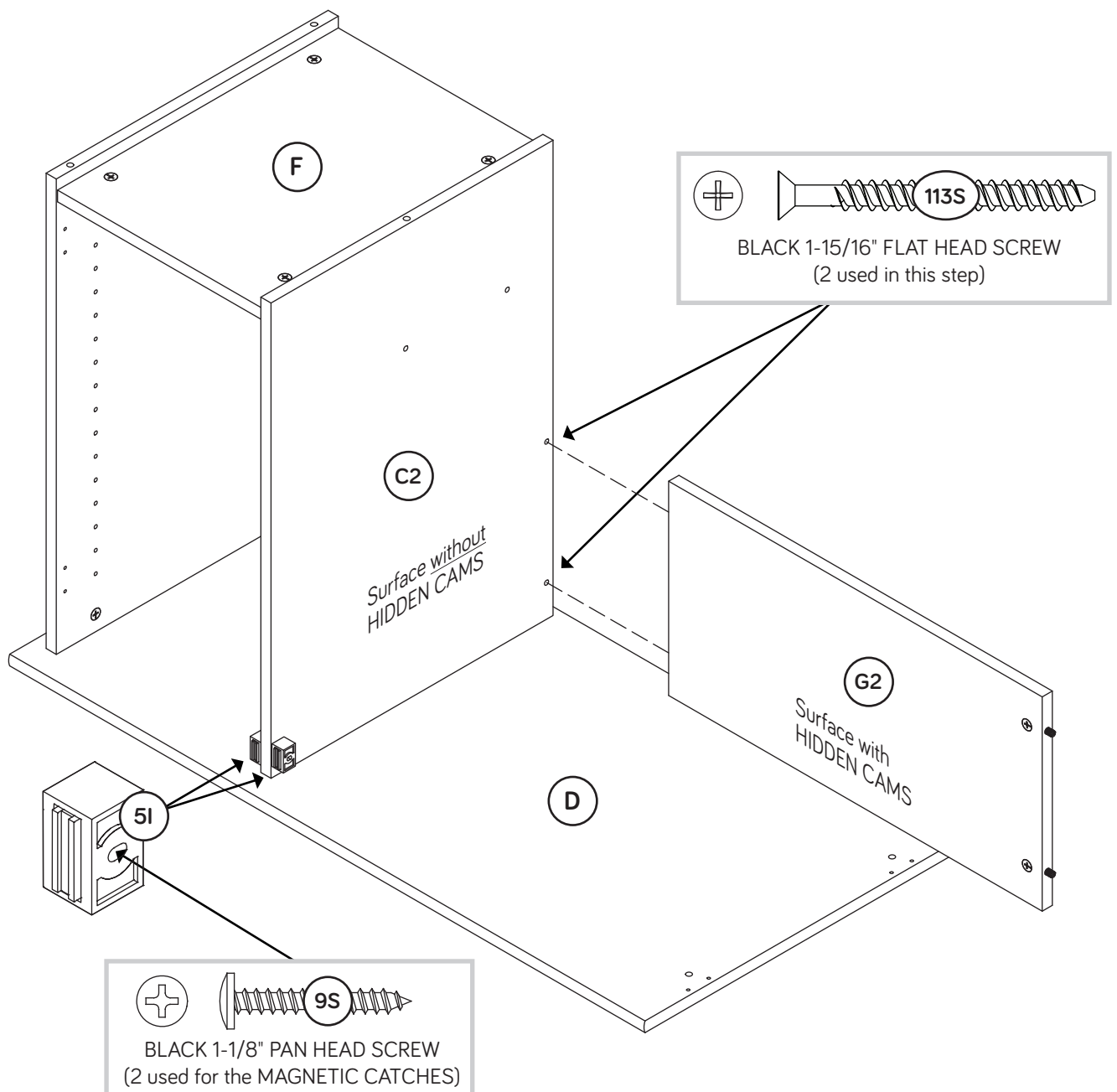
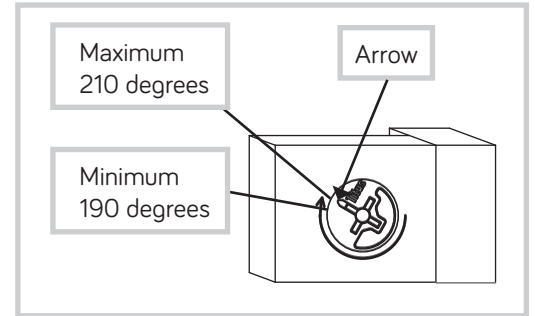
Maximum 210 degrees

Minimum 190 degrees



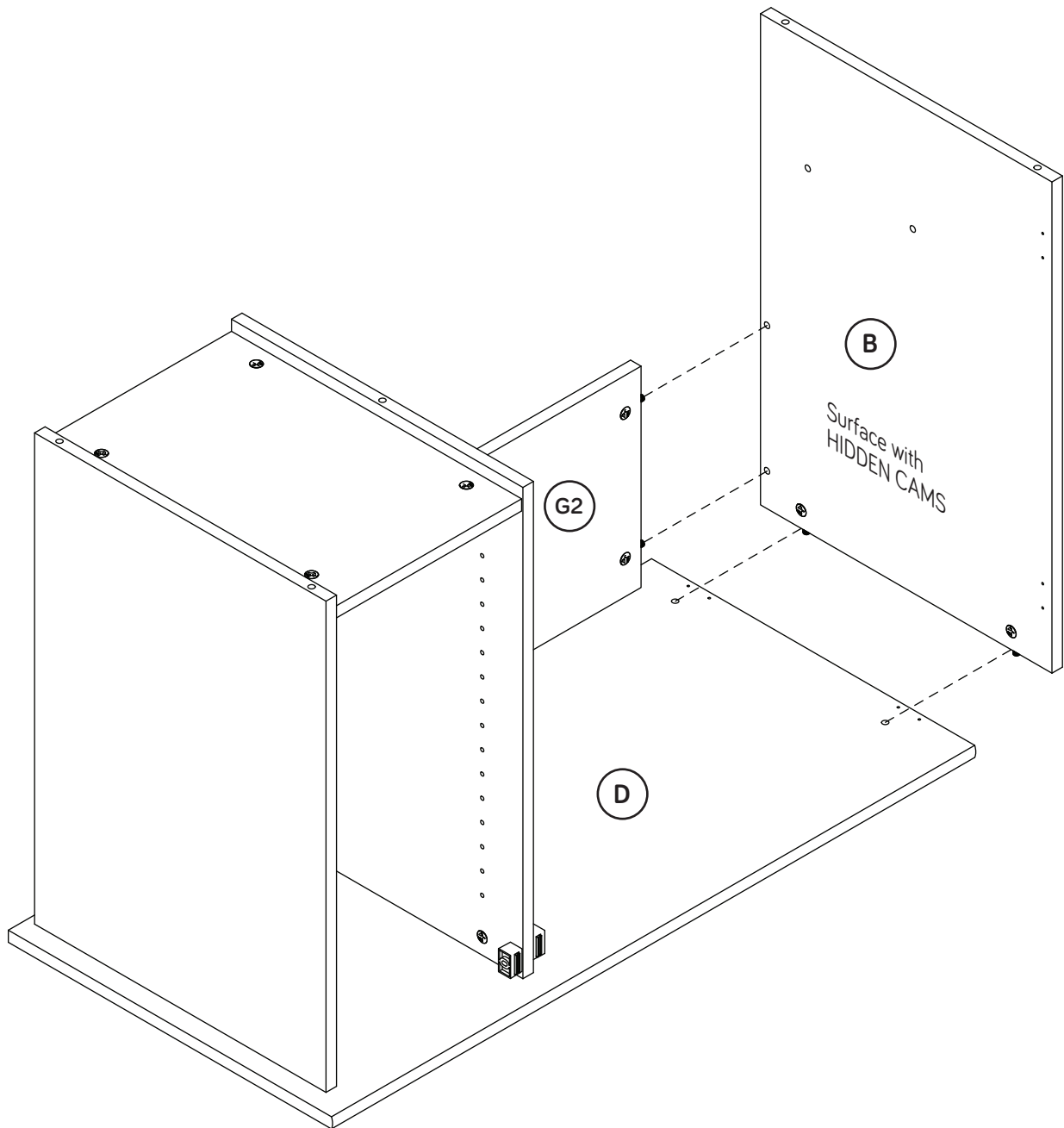
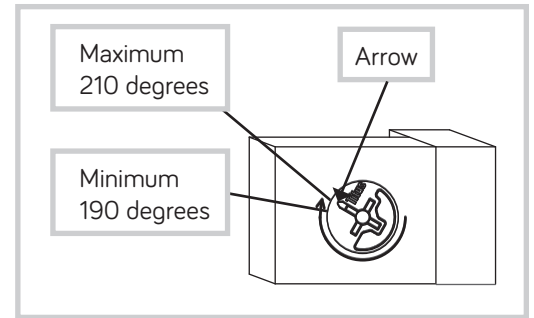
# Step 3

- Fasten the UPRIGHT (C2) to the TOP (D) and BOTTOM (F). Tighten four HIDDEN CAMS.
- Fasten the MODESTY PANEL (G2) to the UPRIGHT (C2). Use two BLACK 1-15/16" FLAT HEAD SCREWS (113S).
- Fasten two MAGNETIC CATCHES (5I) to the UPRIGHT (C2). Use two BLACK 1-1/8" PAN HEAD SCREWS (9S).



# Step 4

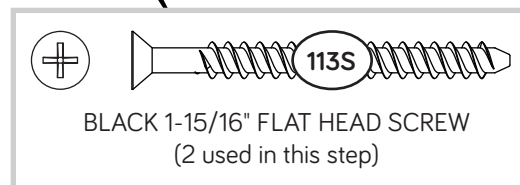
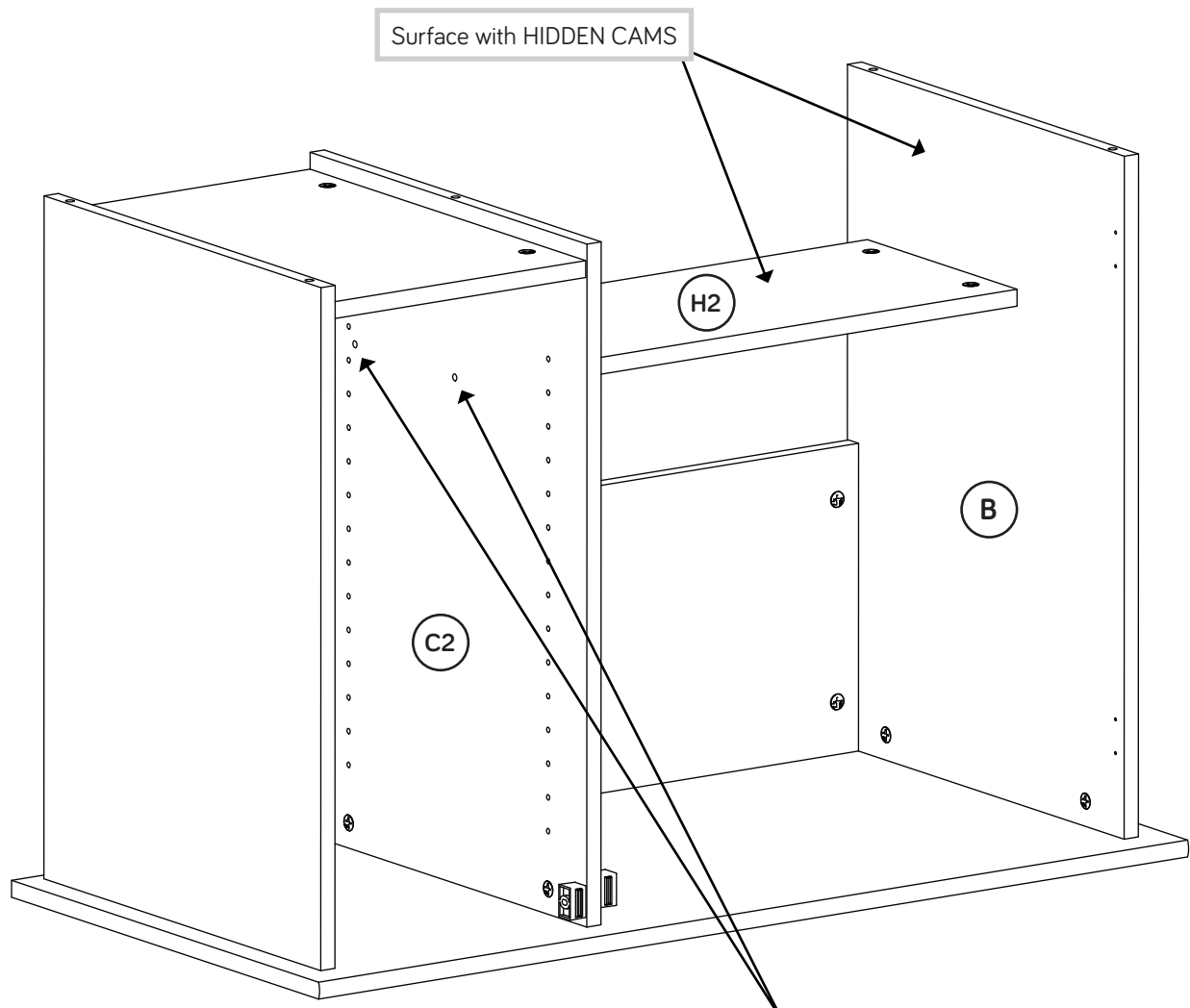
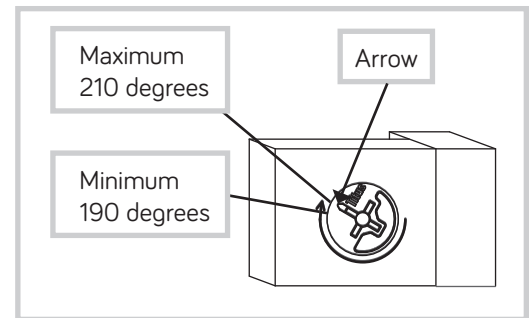
- Fasten the LEFT END (B) to the TOP (D) and MODESTY PANEL (G2). Tighten four HIDDEN CAMS.





# Step 5

- Fasten the SHELF (H2) to the LEFT END (B). Tighten two HIDDEN CAMS.
- Fasten the SHELF (H2) to the UPRIGHT (C2). Use two BLACK 1-15/16" FLAT HEAD SCREWS (113S).



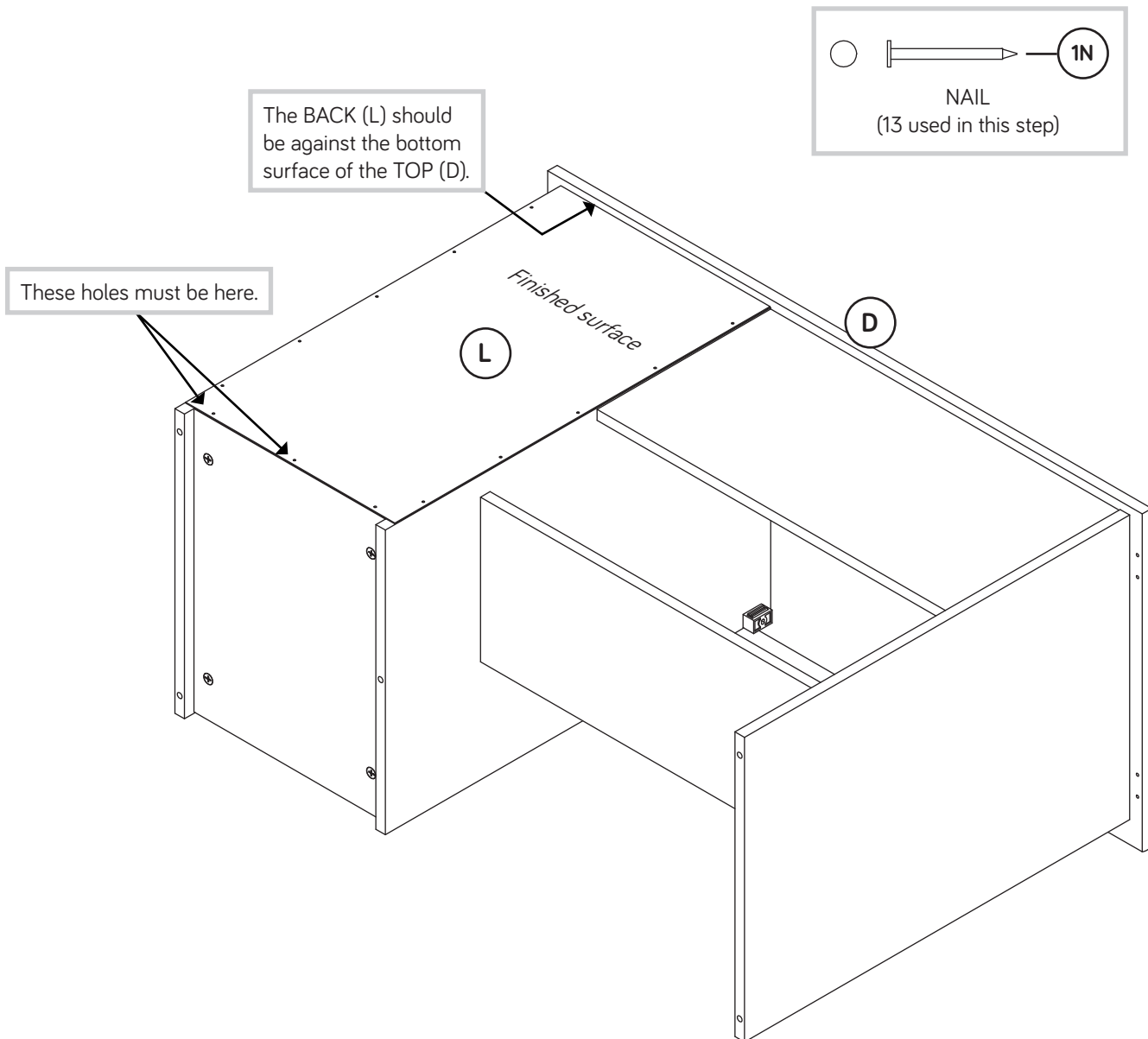
# Step 6

- ✚ Carefully turn your unit over onto its front edges. Lay the BACK (L) over your unit.
- ✚ Make equal margins along all four edges of the BACK (L). Push on opposite corners of your unit if needed to make it "square".
- ✚ Fasten the BACK (L) to your unit using the NAILS (1N).



**Caution**

Do not stand the unit upright without the BACK fastened. The unit may collapse.



# Step 7

Fasten two HINGES (16H) to the TOP (D) and FLIP-UP TOP (E). Use eight BLACK 9/16" LARGE HEAD SCREWS (1S).

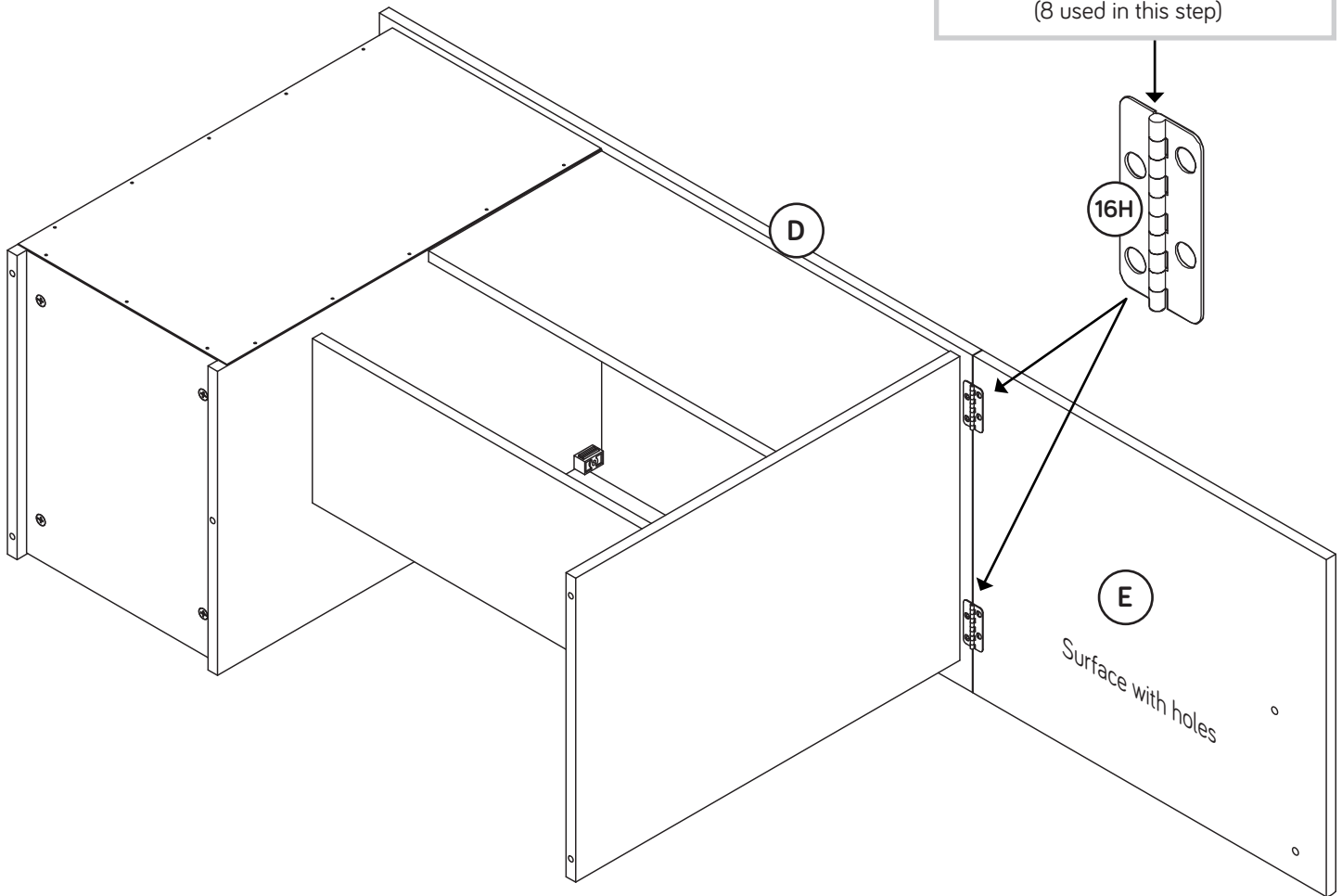


Remember:  
Righty tighty.  
Lefty loosey.



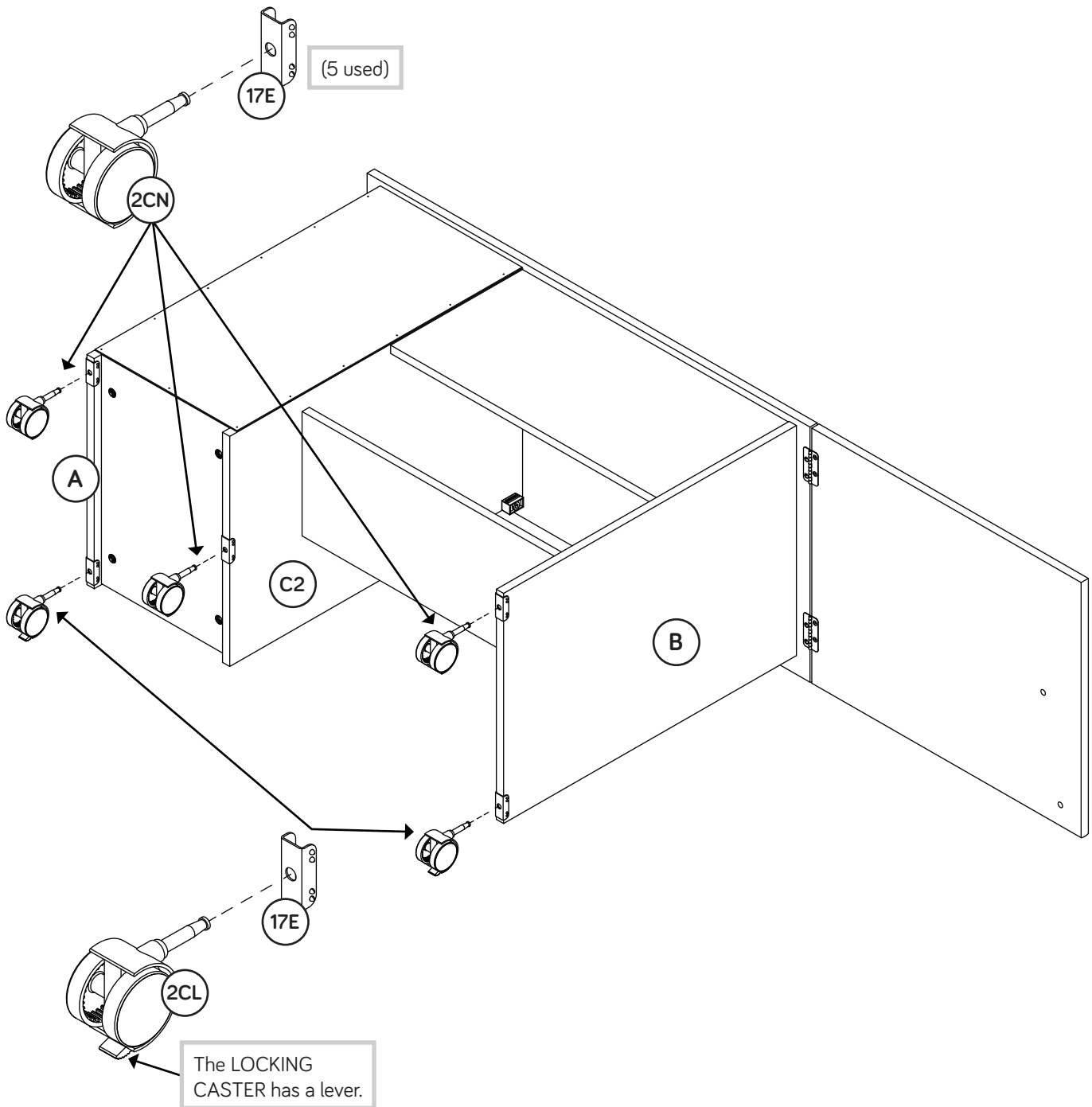
1S

BLACK 9/16" LARGE HEAD SCREW  
(8 used in this step)



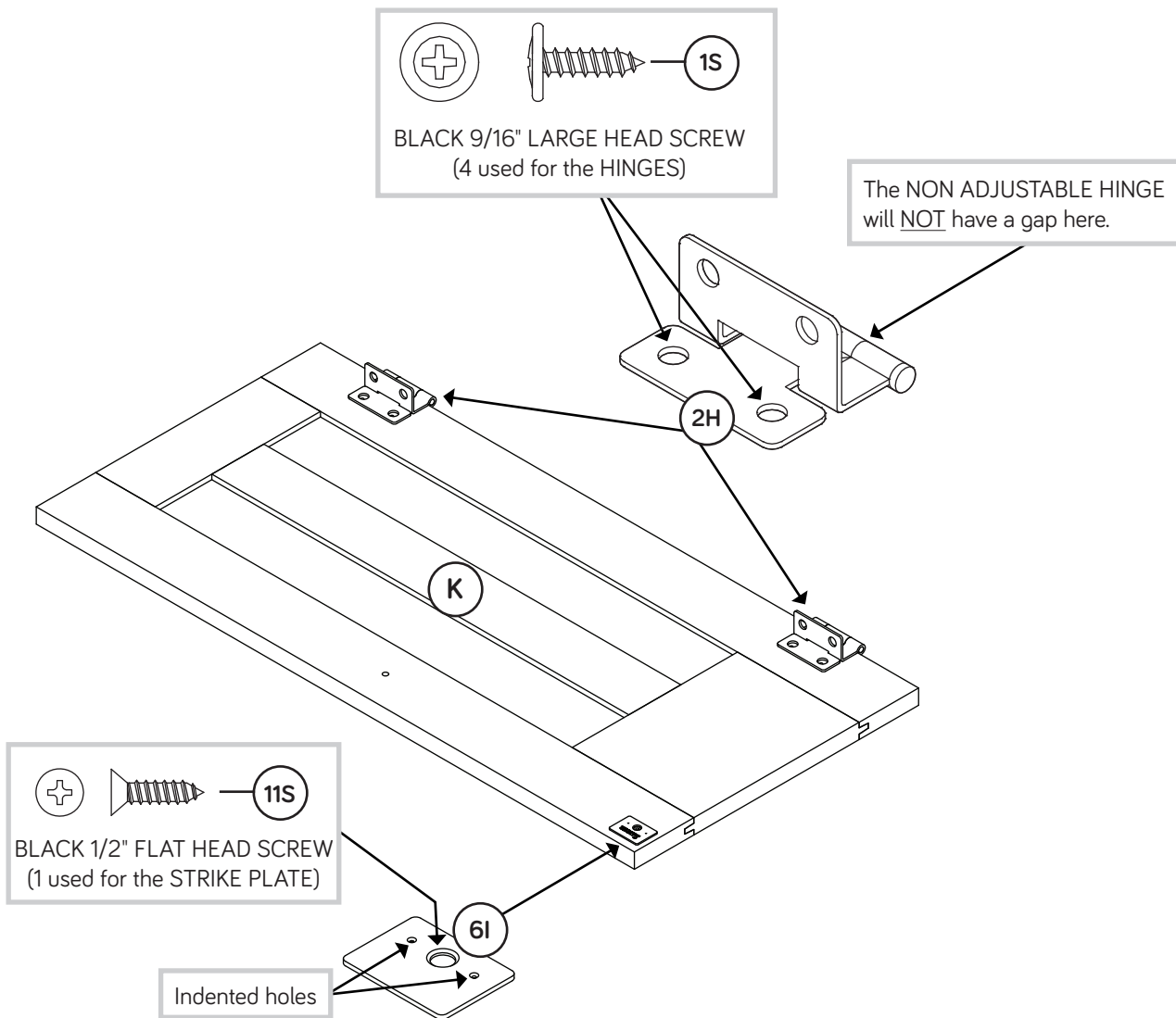
# Step 8

- Place five CASTER BRACKETS (17E) over the holes in the bottom edges of ENDS (A and B) and UPRIGHT (C2).
- Firmly push two LOCKING CASTERS (2CL) into the holes as shown in the CASTER BRACKETS (17E) and ENDS (A and B).
- Firmly push three CASTERS (2CN) into the remaining holes in the ENDS (A and B) and UPRIGHT (C2).



# Step 9

- Fasten a STRIKE PLATE (6I) to the RIGHT DOOR (K). Use a BLACK 1/2" FLAT HEAD SCREW (11S).
- Fasten two NON ADJUSTABLE HINGES (2H) to the RIGHT DOOR (K). Use four BLACK 9/16" LARGE HEAD SCREWS (1S).

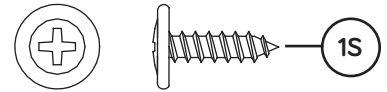


# Step 10

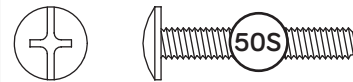
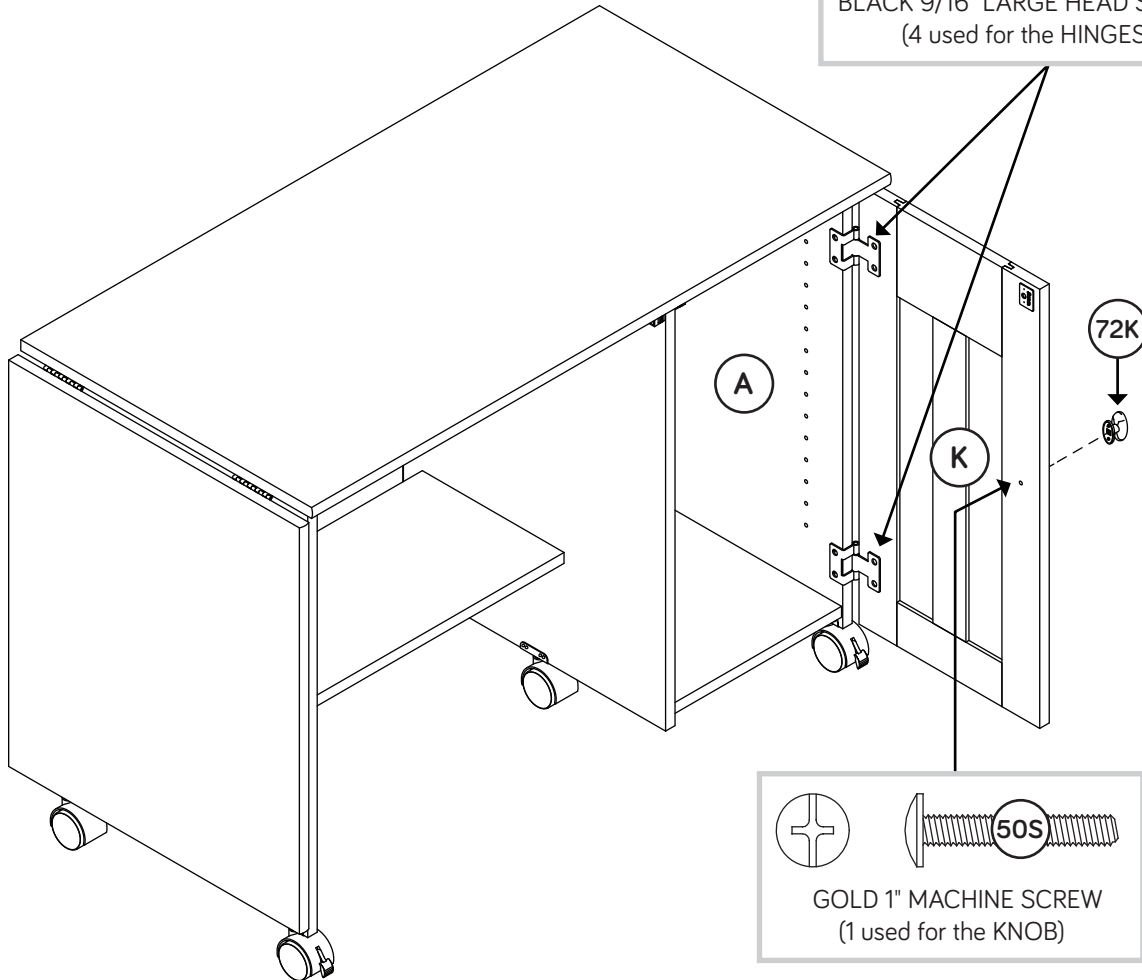
- ⚡ Carefully stand your unit upright.
- ⚡ Fasten the RIGHT DOOR (K) to the RIGHT END (A). Use four BLACK 9/16" LARGE HEAD SCREWS (1S).
- ⚡ Fasten a KNOB and BACKPLATE (72K) to the RIGHT DOOR (K). Use a GOLD 1" MACHINE SCREW (50S).



Pro Tip: Lift with your legs. And, you know, your arms.



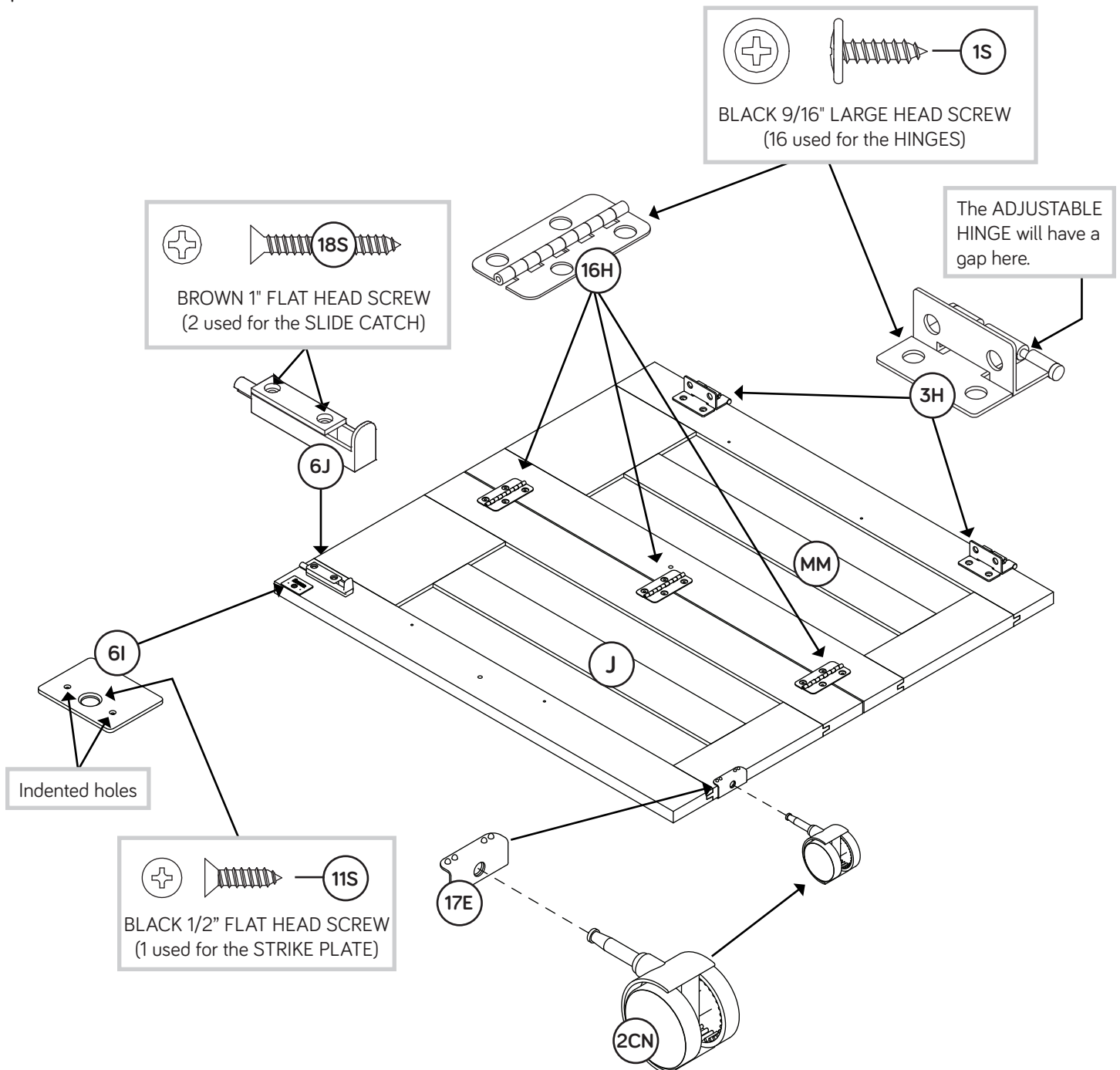
BLACK 9/16" LARGE HEAD SCREW  
(4 used for the HINGES)



GOLD 1" MACHINE SCREW  
(1 used for the KNOB)

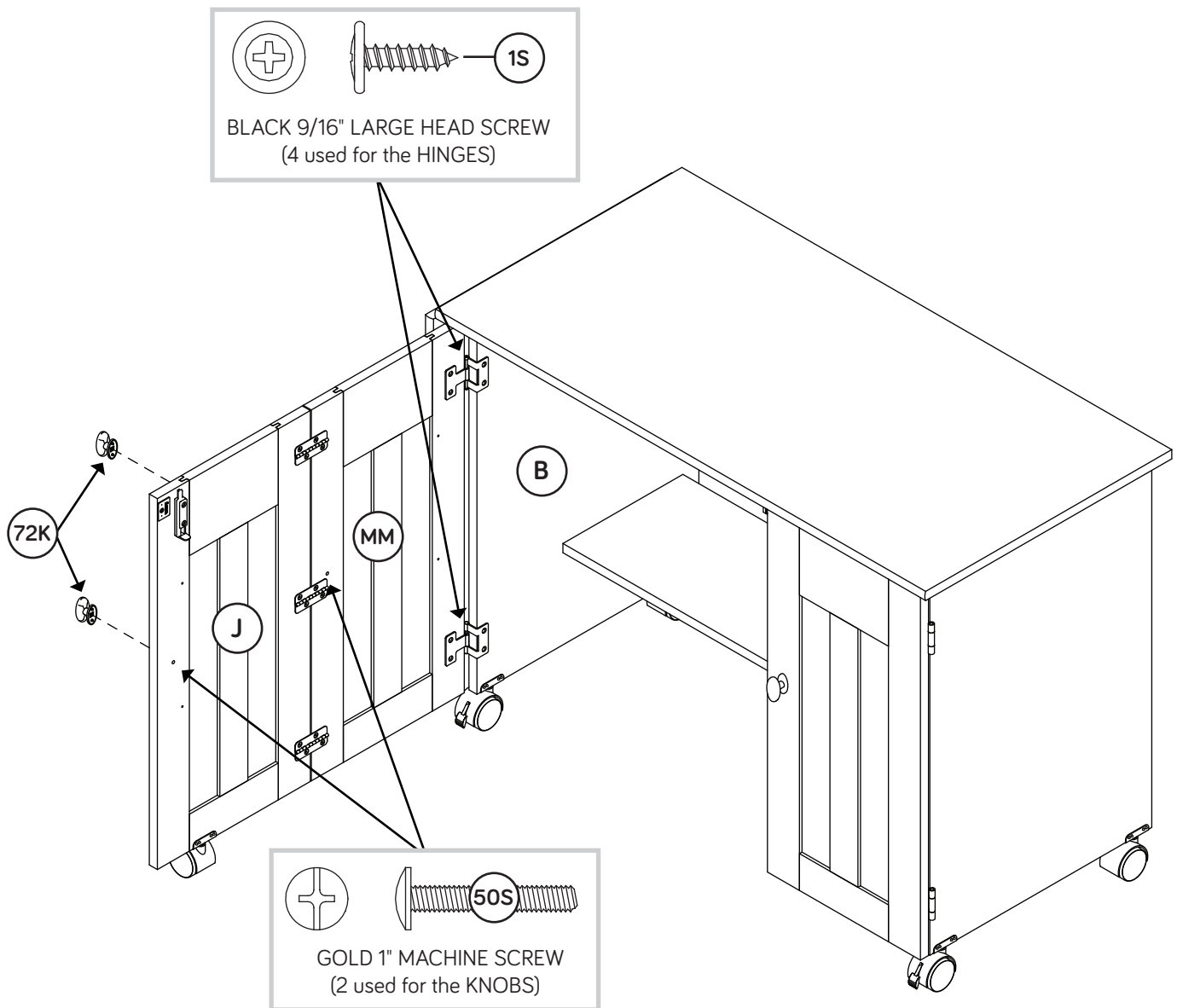
# Step 11

- Fasten the remaining HINGES (16H) to the DOORS (J and MM). Use twelve BLACK 9/16" LARGE HEAD SCREWS (1S).
- Fasten the ADJUSTABLE HINGES (3H) to the LEFT DOOR (MM). Use four BLACK 9/16" LARGE HEAD SCREWS (1S).
- Fasten the STRIKE PLATE (6I) to the CENTER DOOR (J). Use a BLACK 1/2" FLAT HEAD SCREW (11S).
- Fasten the SLIDE CATCH (6J) to the CENTER DOOR (J). Use two BROWN 1" FLAT HEAD SCREWS (18S).
- Place a CASTER BRACKET (17E) over the hole in the bottom edge of the CENTER DOOR (J).
- Firmly push the remaining CASTER (2CN) into the hole in the CASTER BRACKET (17E) and CENTER DOOR (J).



# Step 12

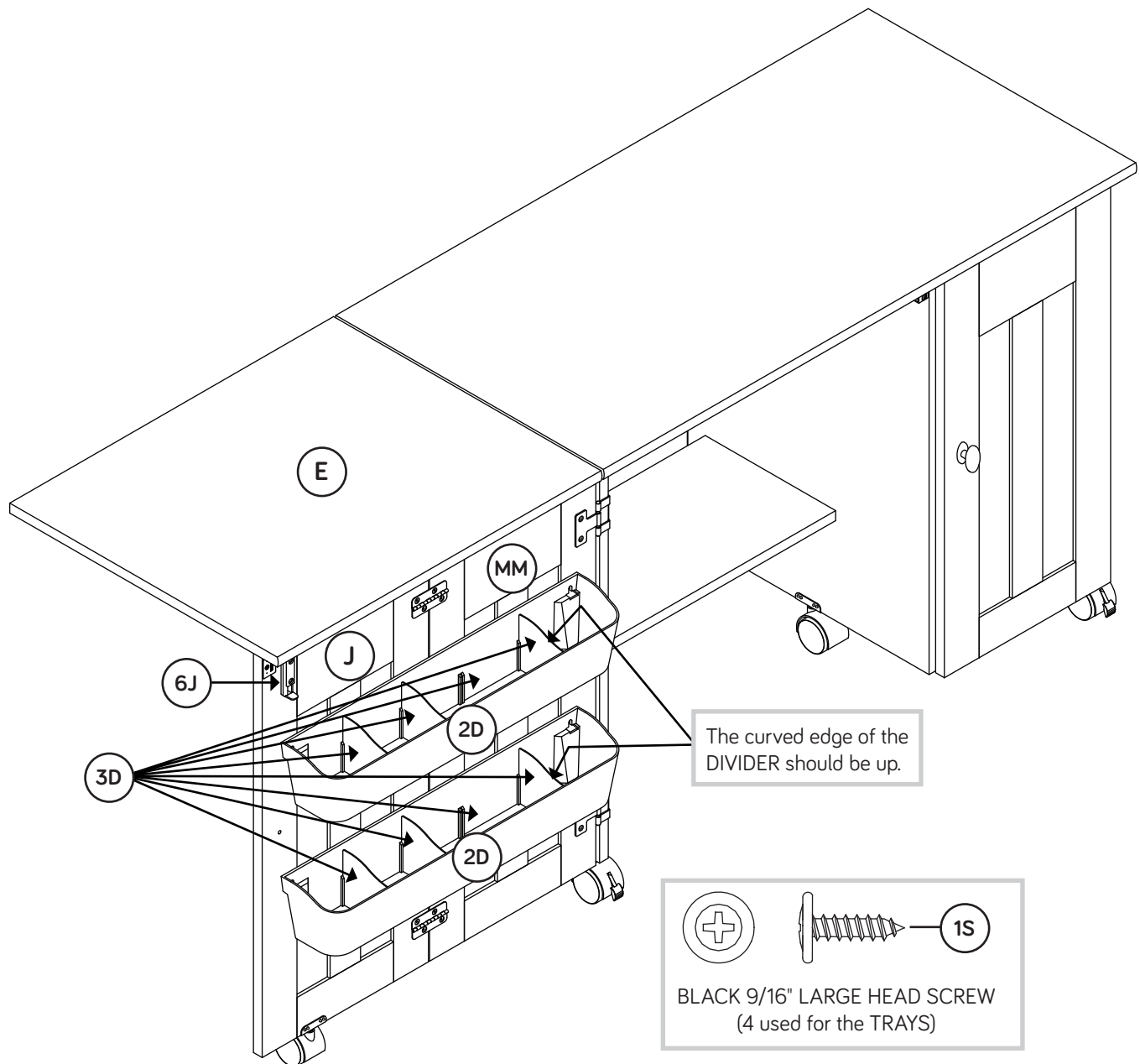
- Fasten the LEFT DOOR (MM) to the LEFT END (B). Use four BLACK 9/16" LARGE HEAD SCREWS (1S).
- Fasten a KNOB and BACKPLATE (72K) to each DOOR (J and MM). Use two GOLD 1" MACHINE SCREWS (50S).





# Step 13

- NOTE: The FLIP-UP TOP (E) can be supported by the DOORS (J and MM). There are two holes in the bottom surface of the FLIP-UP TOP (E) for the bolt in the SLIDE CATCH (6J) to lock into.
- Fasten the TRAYS (2D) to the DOORS (J and MM). Use four BLACK 9/16" LARGE HEAD SCREWS (1S).
- Now, slide eight TRAY DIVIDERS (3D) into the TRAYS (2D) as shown.





**⚠ WARNING**

Please use your furniture correctly and safely. Improper use can cause safety hazards, or damage to your furniture or household items. ***Carefully read the following chart.***

Look out for:	What can happen:	How to avoid the problem:
<ul style="list-style-type: none"><li>Overloaded drawers and shelves.</li></ul>	<ul style="list-style-type: none"><li>Risk of injury.</li><li>Top-heavy furniture can tip over.</li><li>Overloaded drawers or shelves can break.</li></ul>	<ul style="list-style-type: none"><li>Never exceed the weight limits shown in the instructions.</li><li>Work from bottom to top when loading shelves and drawers. Place the heavier items on the lower shelves or in lower drawers.</li></ul>
<ul style="list-style-type: none"><li>Improperly moving the cart.</li></ul>	<ul style="list-style-type: none"><li>Risk of injury or equipment damage.</li><li>The cart can tip if not moved carefully over obstacles or across a changing floor surface (for example, from a wood floor to a carpeted floor).</li></ul>	<ul style="list-style-type: none"><li>Lift the cart so the casters clear any obstacles or abrupt changes in the floor surface.</li></ul>
<ul style="list-style-type: none"><li>Placing TVs on furniture items that are not designed to support a television is hazardous.</li></ul>	<ul style="list-style-type: none"><li>Risk of injury or death. TVs can be very heavy. Plus the weight and location of the picture tube tends to make TVs unbalanced and prone to tipping forward.</li></ul>	<ul style="list-style-type: none"><li>This product is not designed to support a television.</li></ul>

