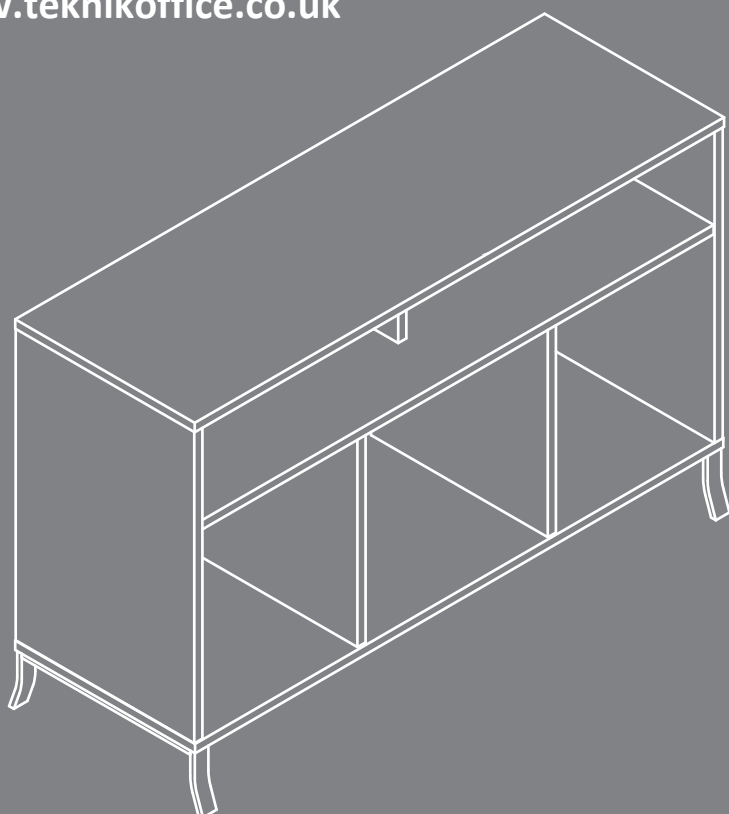


[www.teknikoffice.co.uk](http://www.teknikoffice.co.uk)

**Teknik**



It **stands**. You **sit**.  
A thing of beauty,  
this one.

# TV Stand

City Centre Collection | **Model 5426059**

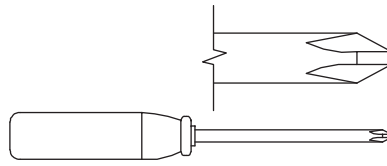
**NOTE:** THIS INSTRUCTION BOOKLET CONTAINS **IMPORTANT** SAFETY INFORMATION.

PLEASE READ AND KEEP FOR FUTURE REFERENCE.

# Table of Contents

# Assembly Tools Required

Part Identification	3
Hardware Identification	4
Assembly Steps	5-16
Safety	17

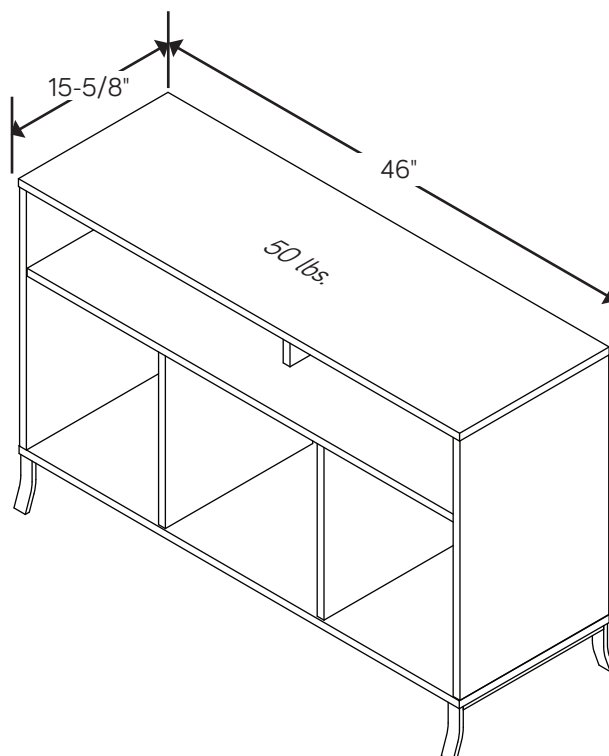


No. 2 Phillips Screwdriver  
Tip Shown Actual Size

## WARNING

Use of a TV that is too heavy or large is hazardous. A TV that is too heavy will create a risk of a tip-over that can cause severe injury or death. A TV that is too large for the available space might be accidentally pushed or bumped off the furniture, or subject to tip-over.

- Check the size and weight of your TV. Compare it to the diagram below – **before you begin assembly!**
- This Sauder unit is designed for use with flat panel televisions weighing less than 50 pounds. **Never** use with a TV that weighs more.
- The size of the television, front-to-back and side-to-side, must fit within the space defined in the diagram.
  - **Never** place the front edge of the TV past the front edge of the TV support shelf (or stop molding – if equipped)
  - **Never** allow the sides of the TV to extend past the side edges of the TV support surface.
- Be sure to apply the warning label as instructed later in the assembly. The label provides important safety related information.



# Part Identification

Now you know  
our ABCs.

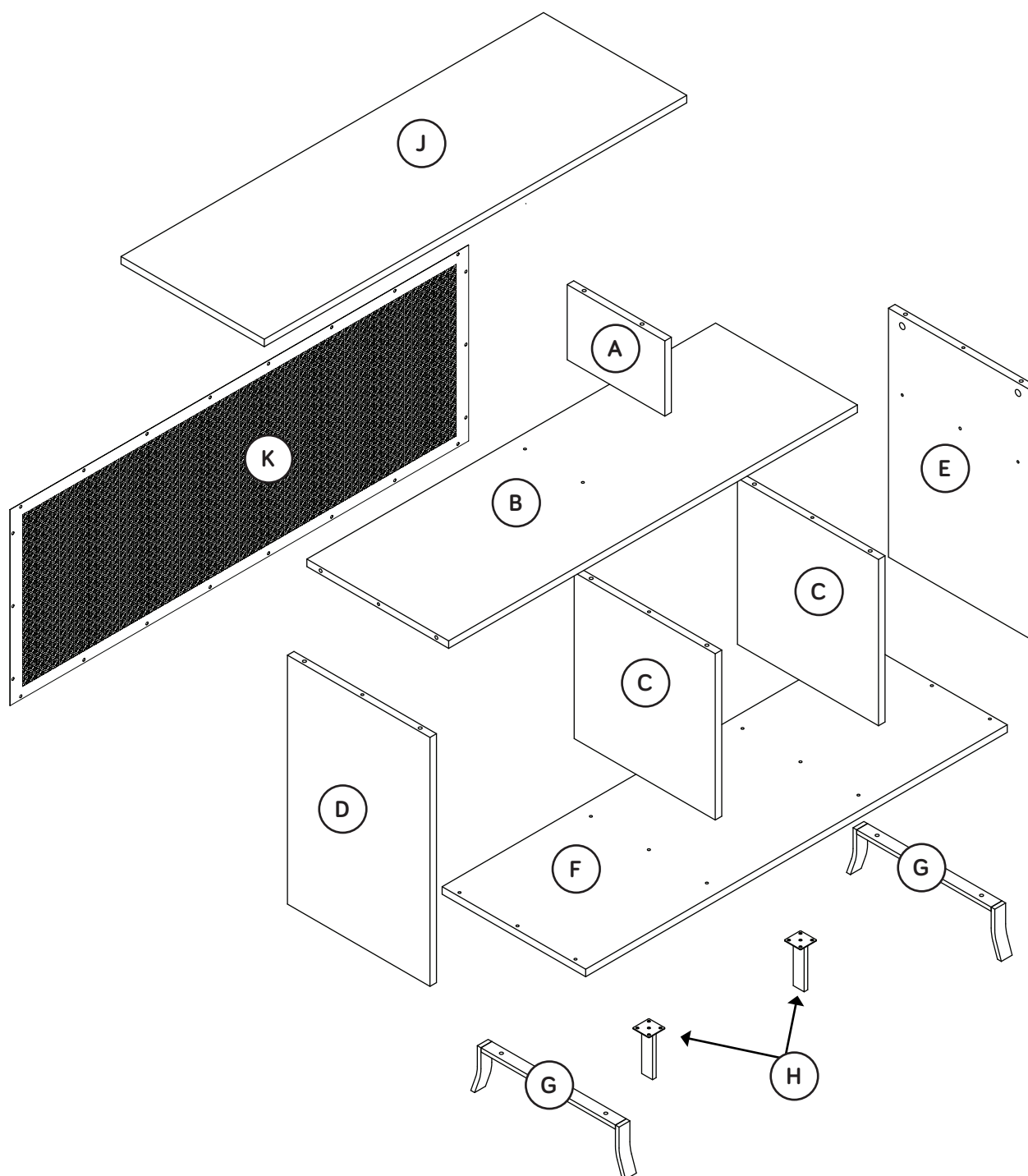


⚠ While not all parts are labeled, some of the parts will have a label or an inked letter on the edge to help distinguish similar parts from each other. Use this part identification to help identify similar parts.

A	SMALL UPRIGHT (1)
B	SHELF (1)
C	UPRIGHT (2)
D	LEFT END (1)

E	RIGHT END (1)
F	BOTTOM (1)
G	LEG (2)
H	FOOT (2)

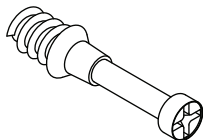
J	TOP (1)
K	BACK (1)



# Hardware Identification

† Screws are shown actual size. You may receive extra hardware with your unit.

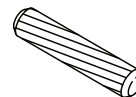
1 CAM SCREW - 14



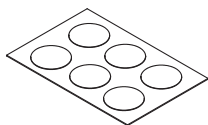
2 HIDDEN CAM - 14



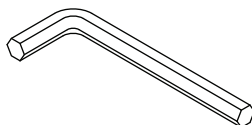
3 WOOD DOWEL - 10



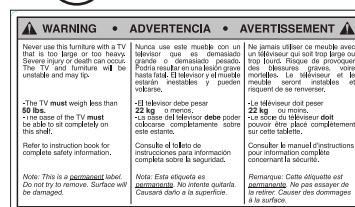
4 APPLIQUE CARD - 3



5 L-WRENCH - 1

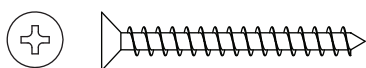


6 WARNING LABEL - 1

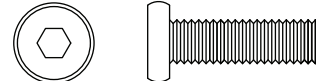


(Refer to the last step for proper location and application)

7 1-3/8" FLAT HEAD SCREW - 10



8 13/16" HEX HEAD SCREW - 4



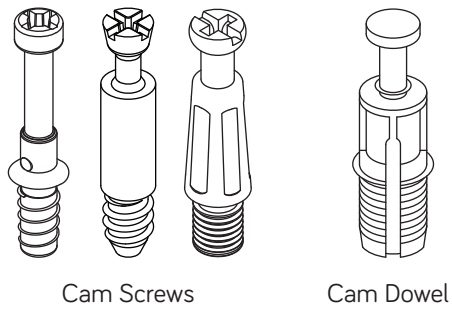
9 1/2" PAN HEAD SCREW - 30



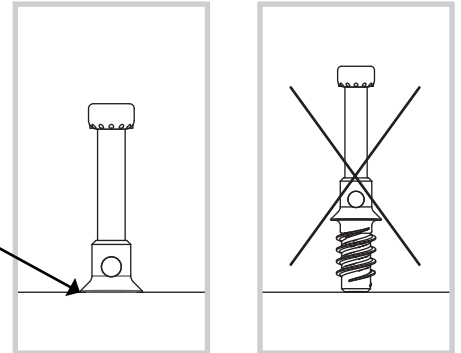
# Hardware Usage Guide

## HOW TO USE A HIDDEN CAM & CAM SCREW OR CAM DOWEL

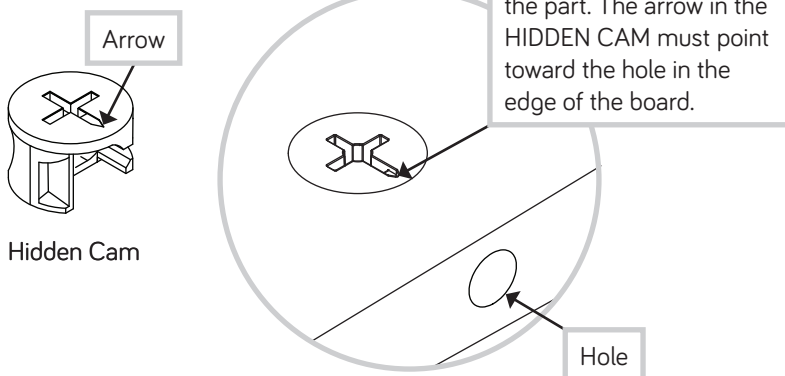
1. NOTE: Various CAM SCREWS or a CAM DOWEL may be used.



Turn the CAM SCREW or gently tap the CAM DOWEL until the shoulder is against the surface of the part.

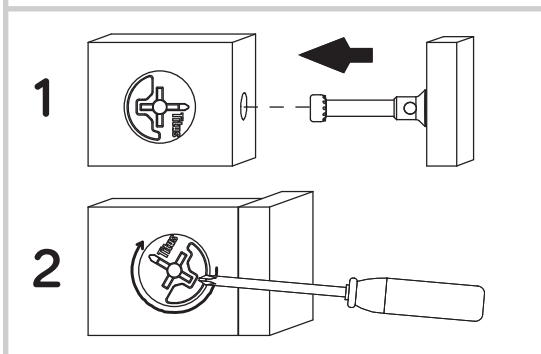


2.



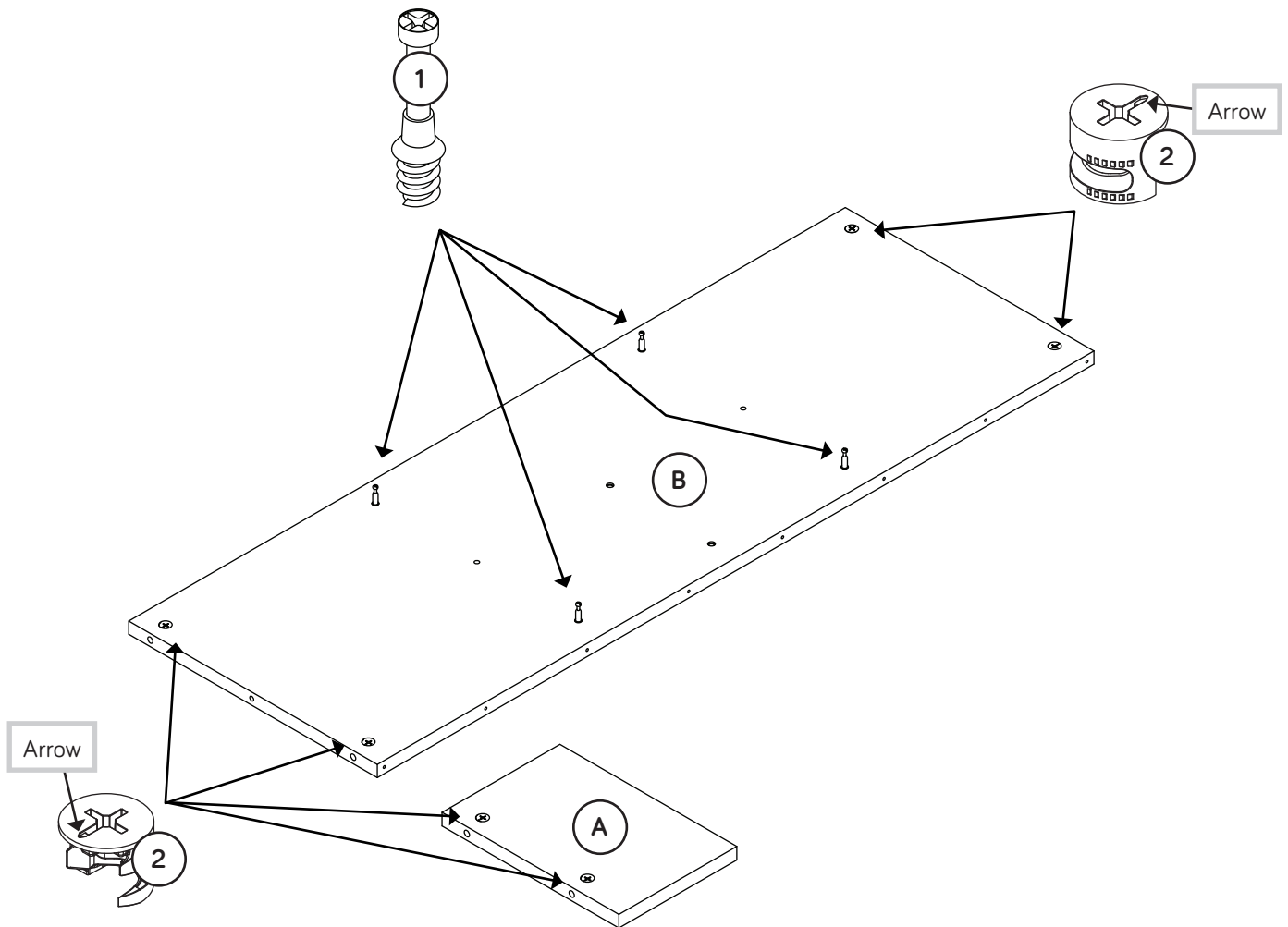
3.

Insert the CAM SCREW or CAM DOWEL into the HIDDEN CAM. Tighten the HIDDEN CAM.



# Step 1

- ✚ Assemble your unit on a carpeted floor or on the empty carton to avoid scratching your unit or the floor.
- ✚ Push six HIDDEN CAMS (2) into the SHELF (B) and SMALL UPRIGHT (A).
- ✚ Turn four CAM SCREWS (1) into the SHELF (B).

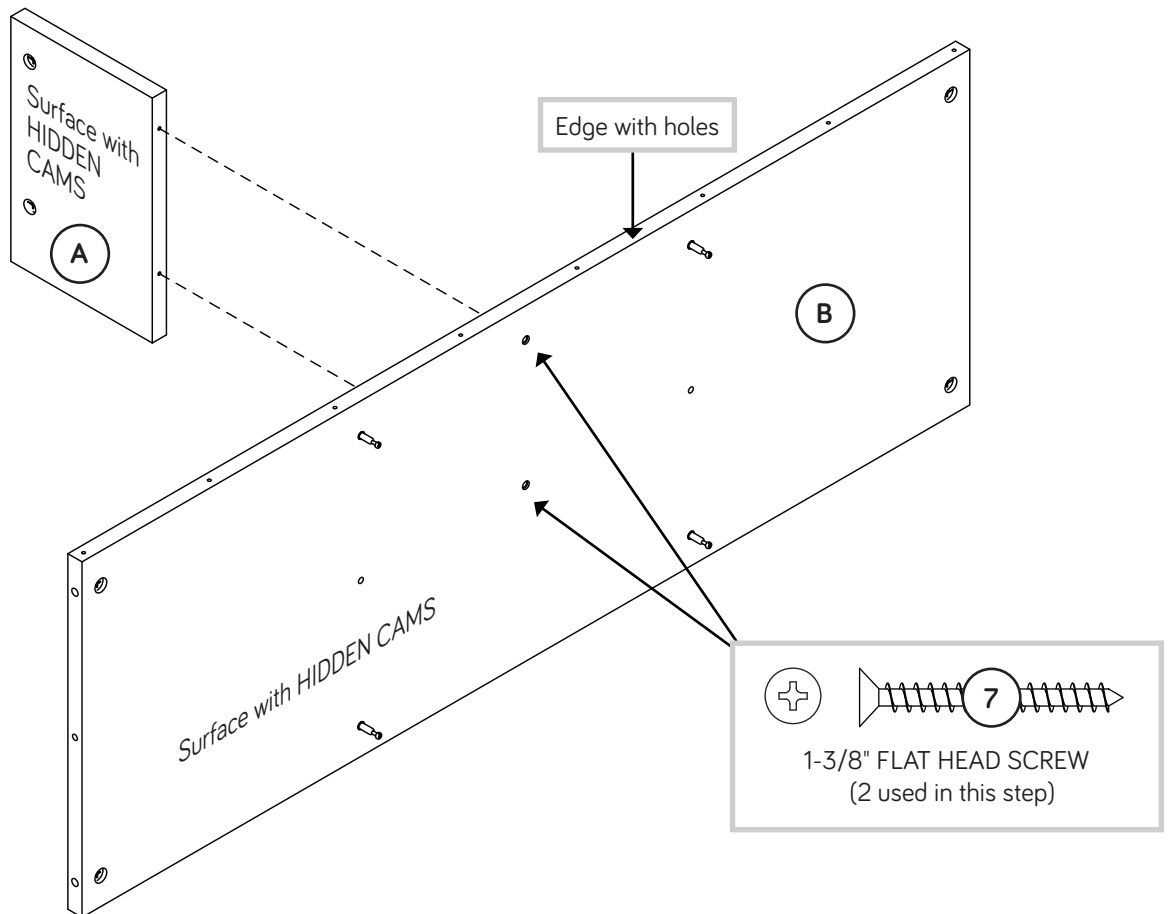


# Step 2

- Fasten the SMALL UPRIGHT (A) to the SHELF (B). Use two 1-3/8" FLAT HEAD SCREWS (7).

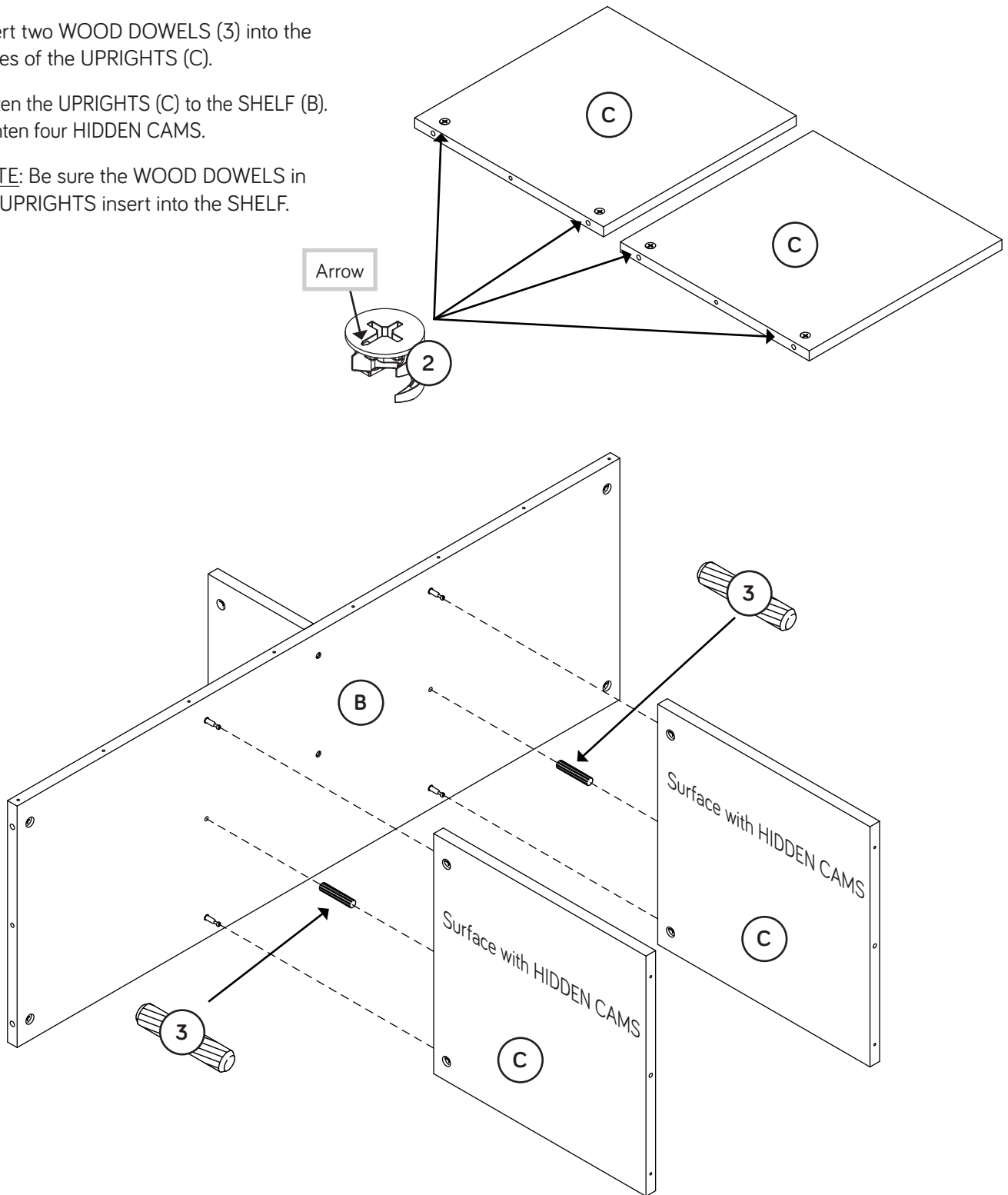
**Caution**

Do not stand the unit upright without the BACK fastened. The unit may collapse.



# Step 3

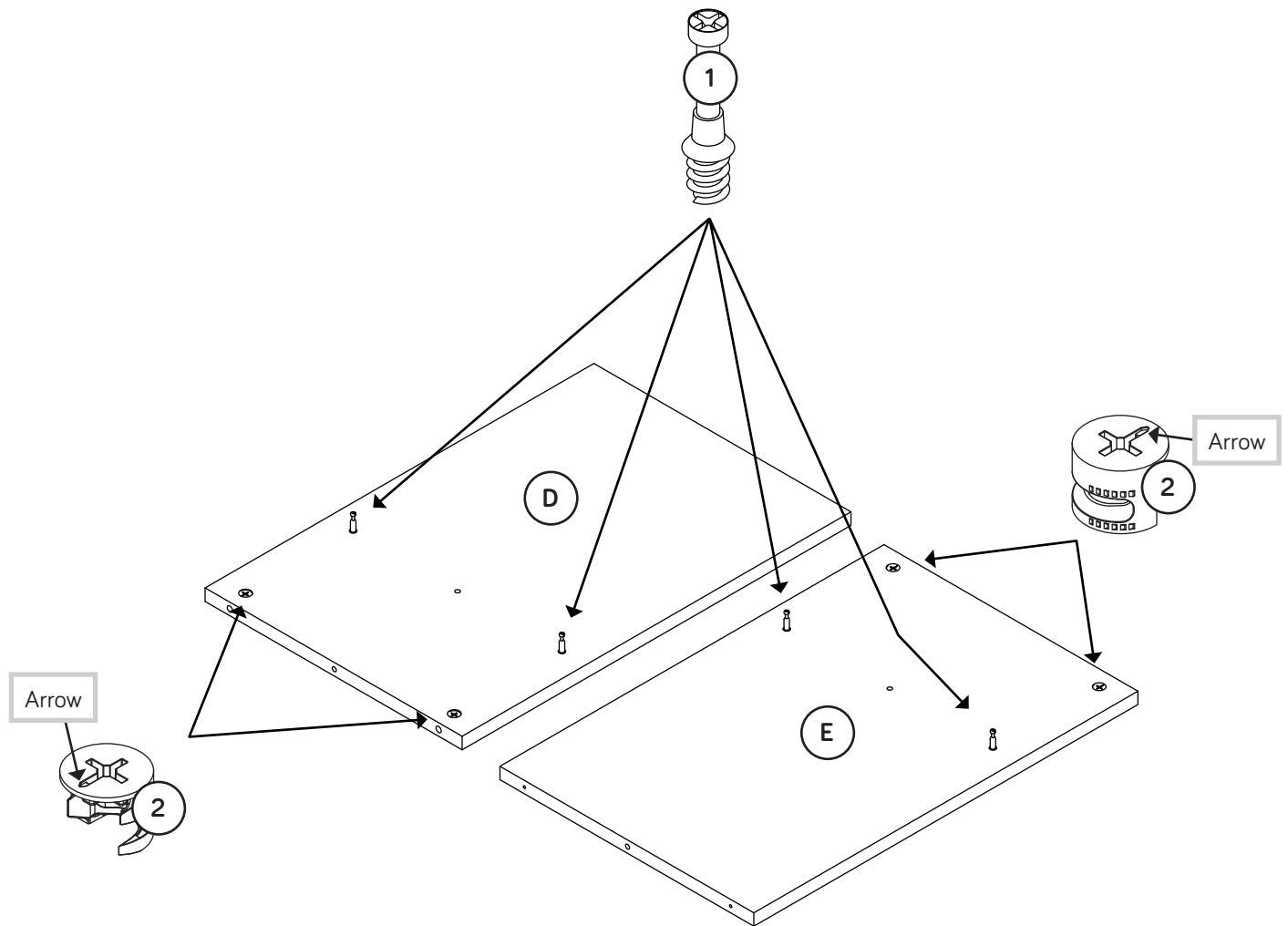
- ✚ Push four HIDDEN CAMS (2) into the UPRIGHTS (C).
- ✚ Insert two WOOD DOWELS (3) into the edges of the UPRIGHTS (C).
- ✚ Fasten the UPRIGHTS (C) to the SHELF (B). Tighten four HIDDEN CAMS.
- ✚ NOTE: Be sure the WOOD DOWELS in the UPRIGHTS insert into the SHELF.





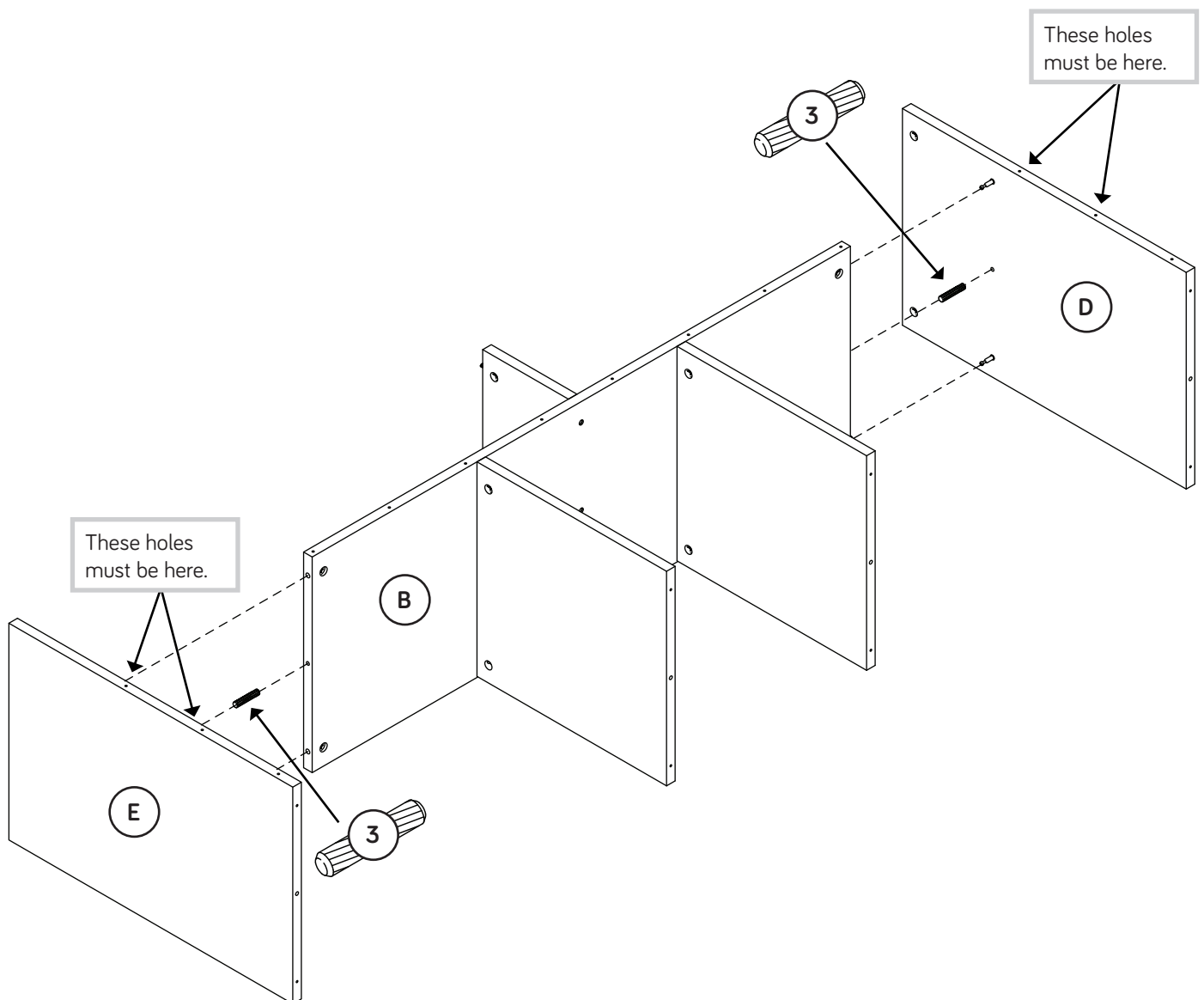
# Step 4

- ✚ Turn four CAM SCREWS (1) into the ENDS (D and E).
- ✚ Push four HIDDEN CAMS (2) into the ENDS (D and E).



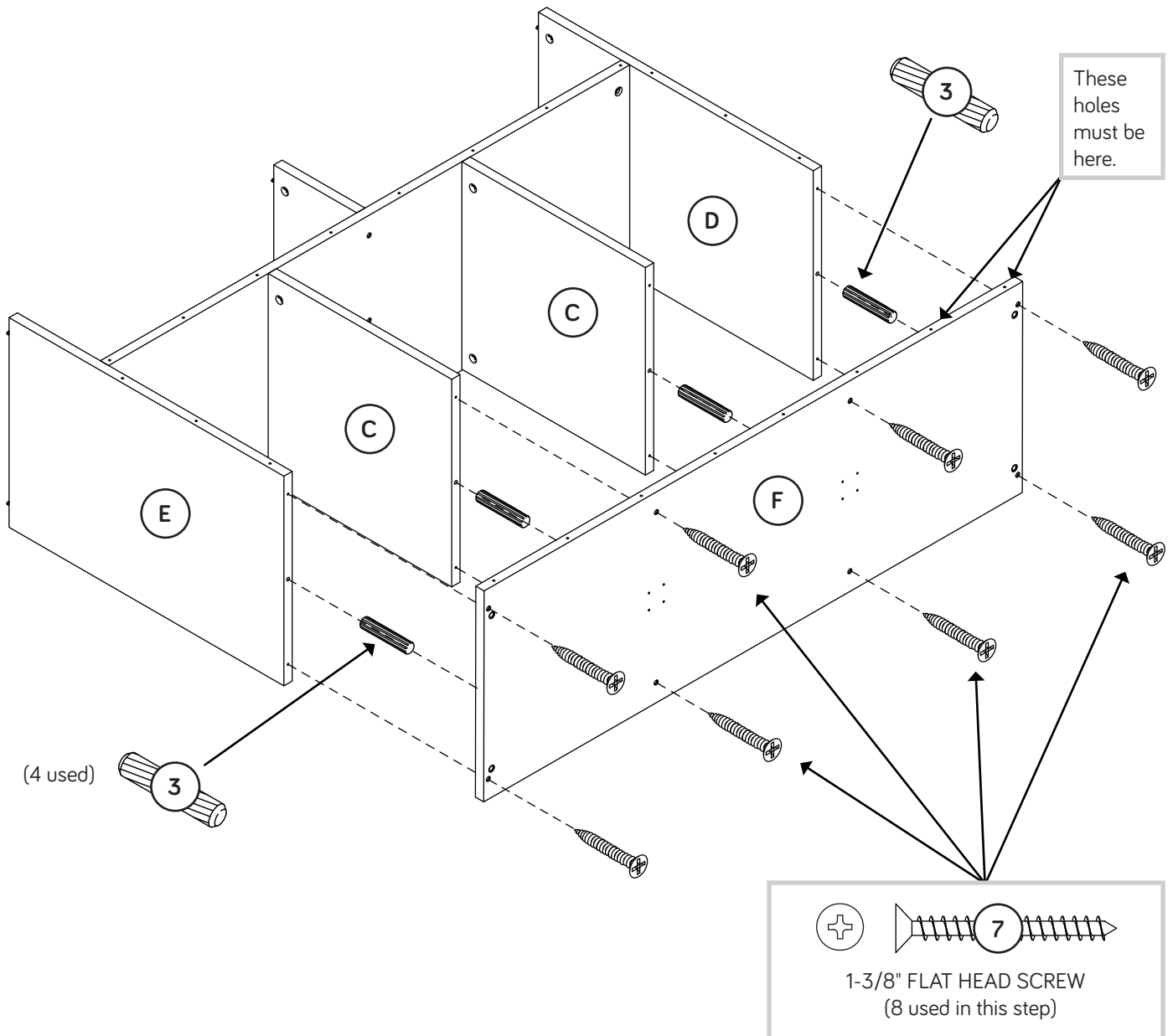
# Step 5

- ✚ Insert a WOOD DOWEL (3) into each END (D and E).
- ✚ Fasten the ENDS (D and E) to the SHELF (B). Tighten four HIDDEN CAMS.
- ✚ NOTE: Be sure the WOOD DOWELS in the ENDS insert into the SHELF.



# Step 6

- ✚ Insert a WOOD DOWEL (3) into each edge of the ENDS (D and E) and UPRIGHTS (C).
- ✚ Fasten the BOTTOM (F) to the ENDS (D and E) and UPRIGHTS (C). Use eight 1-3/8" FLAT HEAD SCREWS (7).
- ✚ NOTE: Be sure the WOOD DOWELS in the ENDS and UPRIGHTS insert into the BOTTOM.

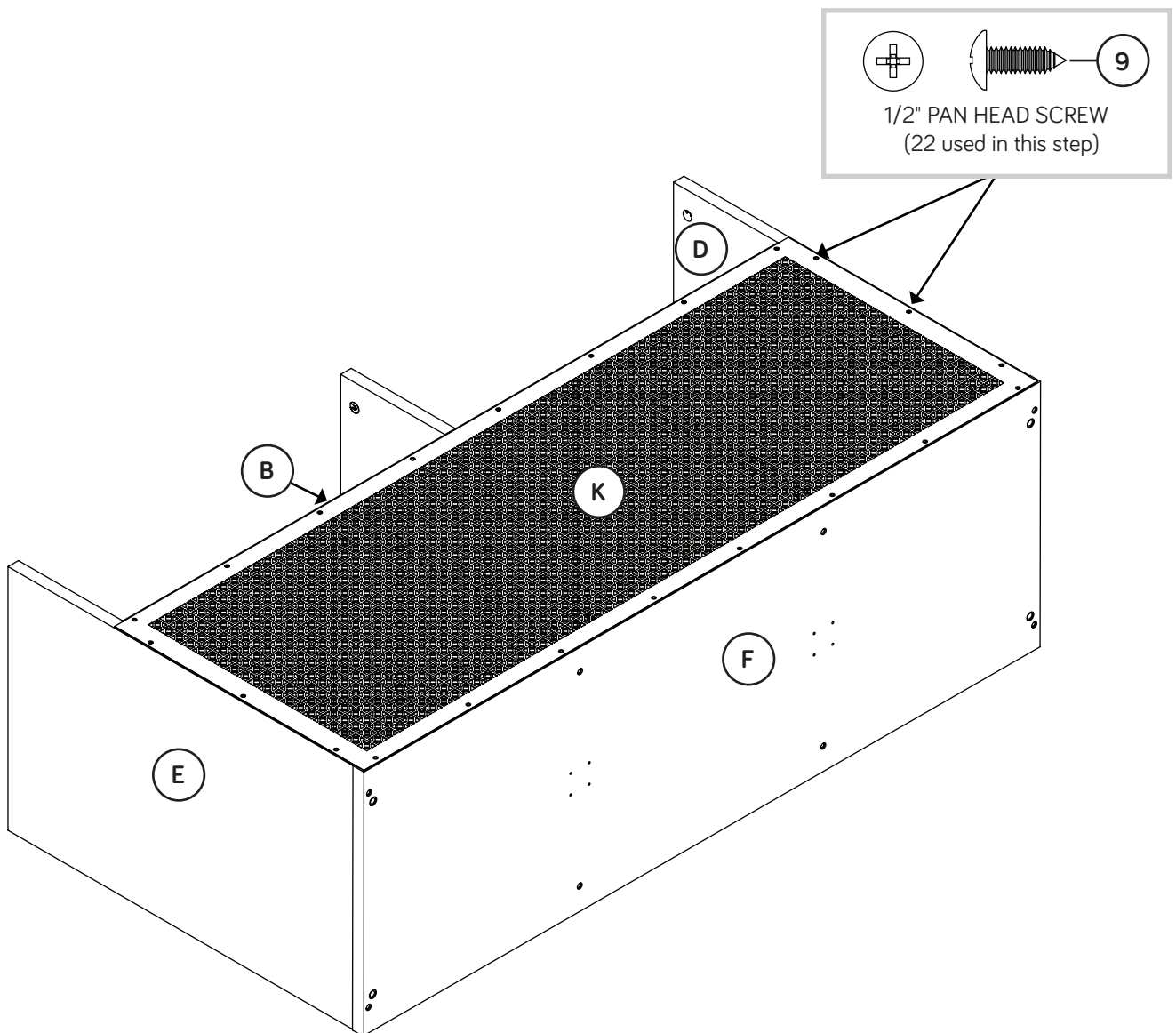


# Step 7

- Fasten the BACK (K) to the ENDS (D and E), SHELF (B), and BOTTOM (F). Use twenty-two 1/2" PAN HEAD SCREWS (9).



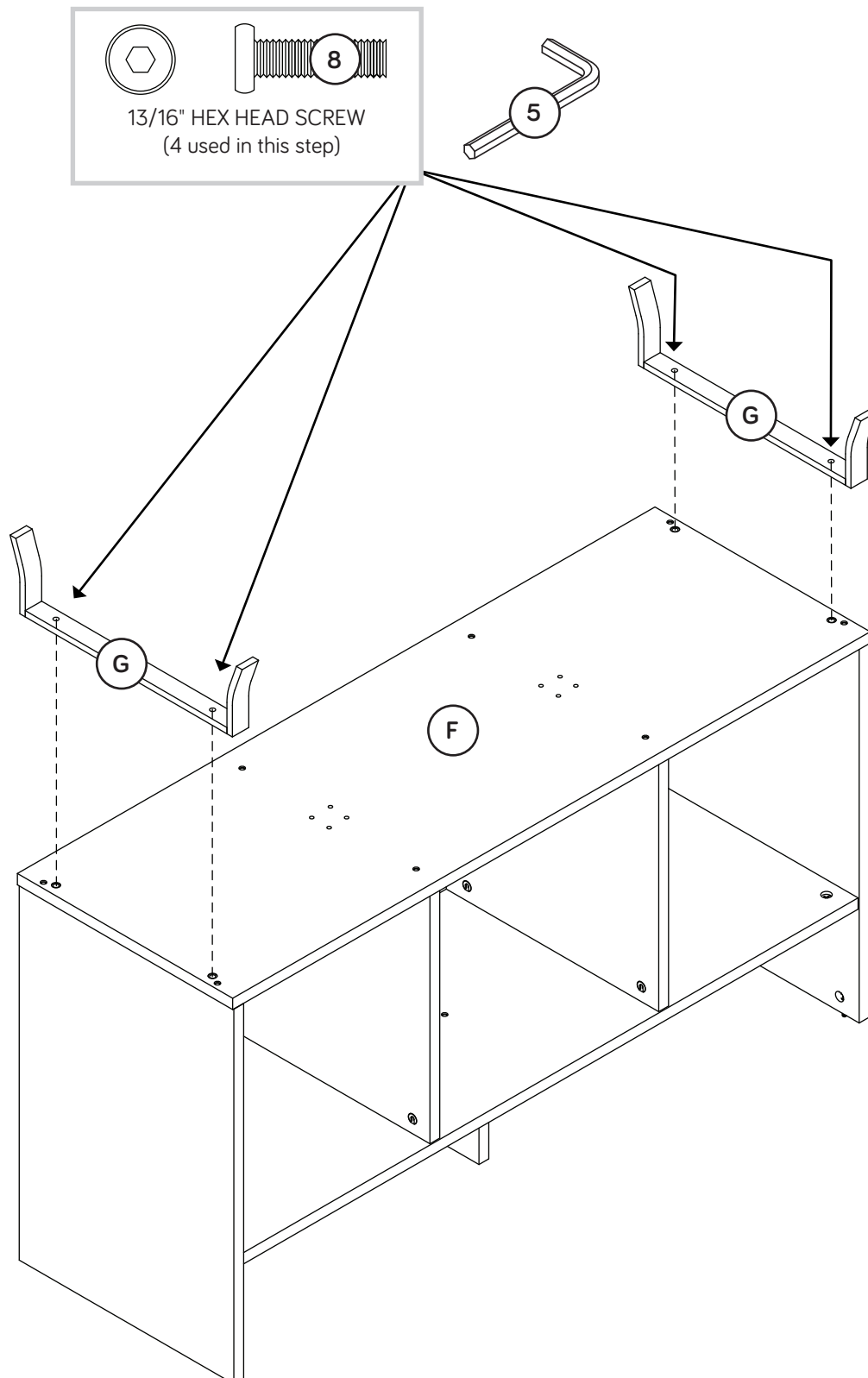
Do not stand the unit upright without the BACK fastened. The unit may collapse.



# Step 8

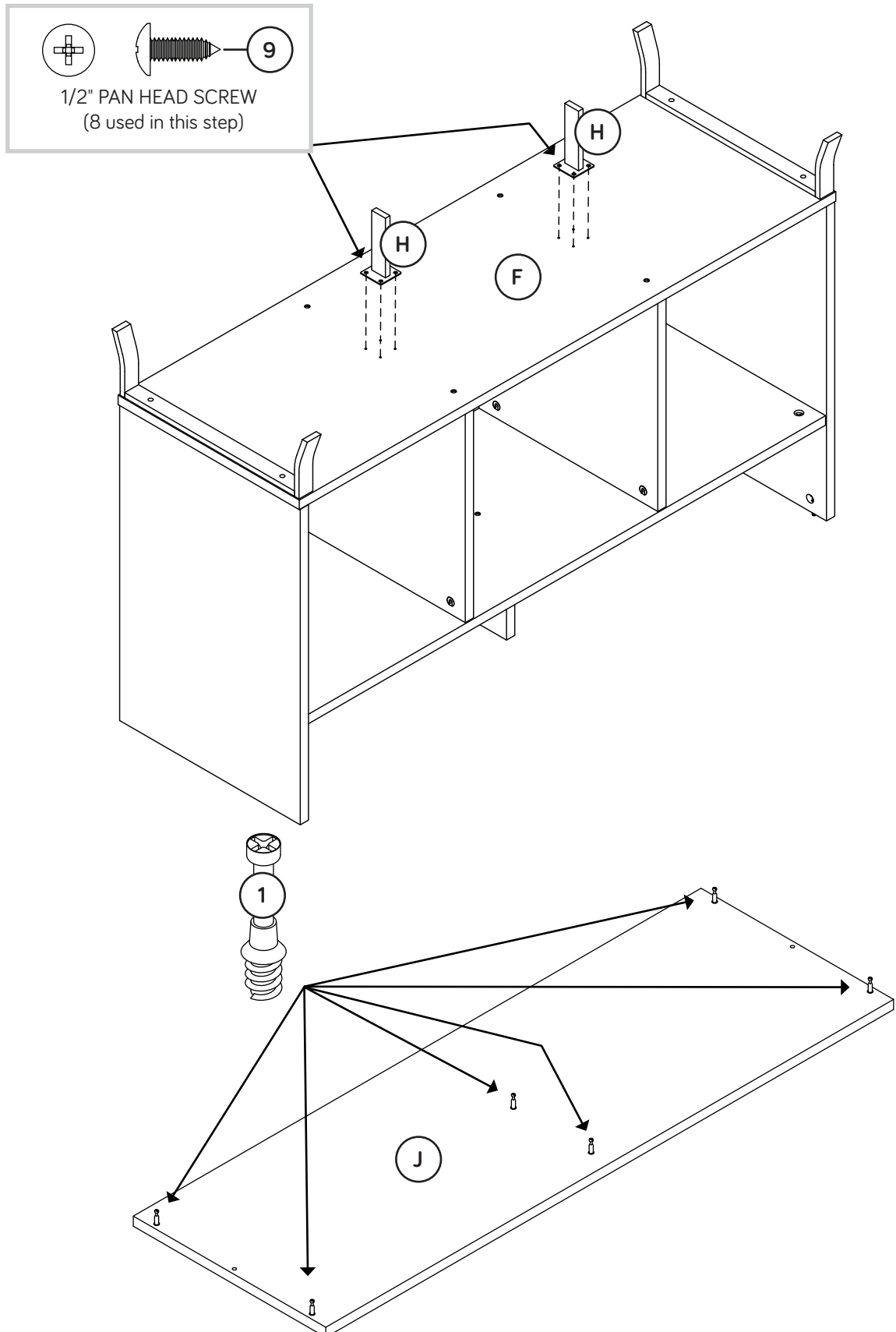
Fasten the LEGS (G) to the BOTTOM (F). Tighten four 13/16" HEX HEAD SCREWS (8) using the L-WRENCH (5).

**NOTE:** You should start each SCREW a few turns before completely tightening any of them.



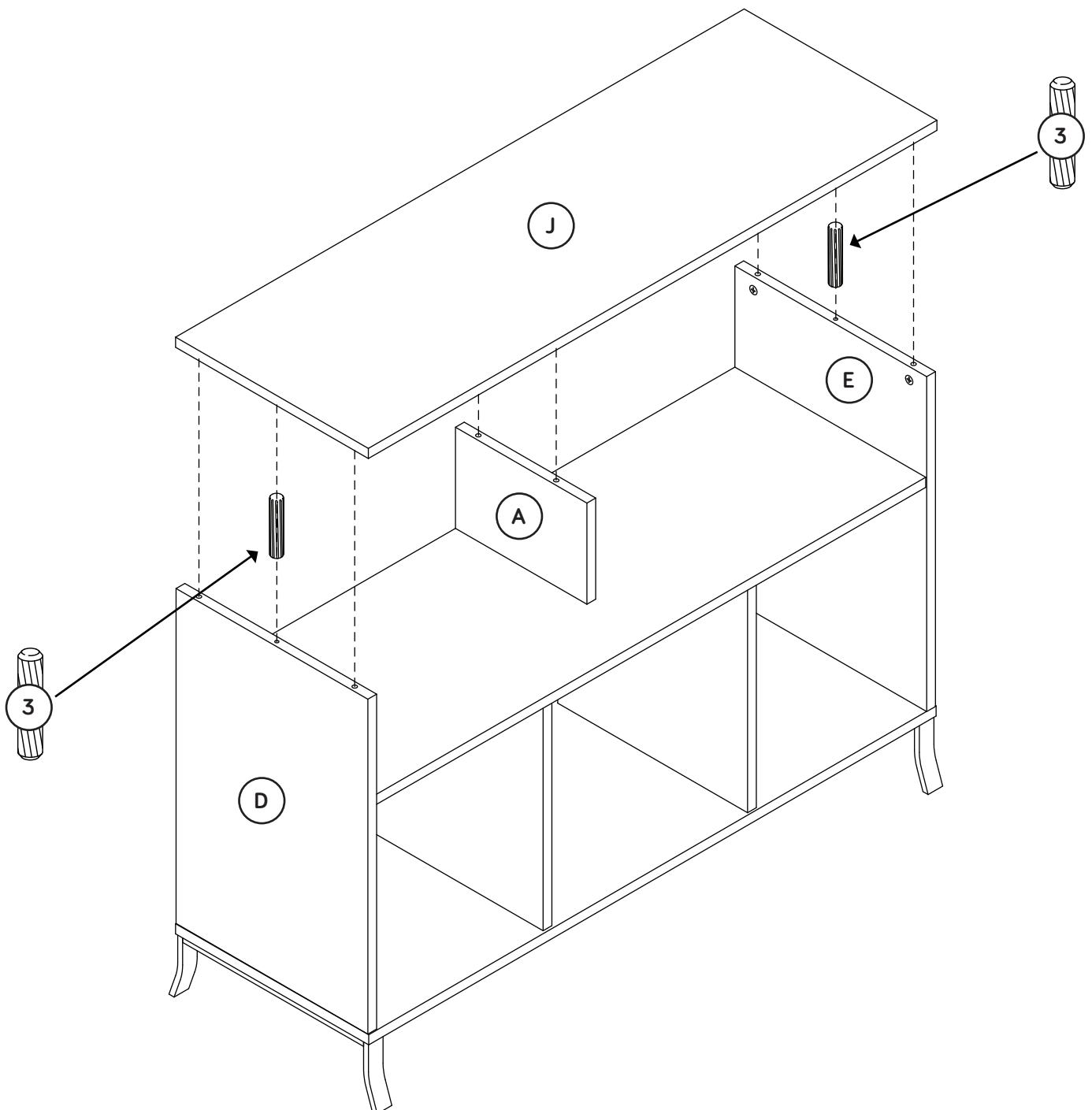
# Step 9

- Fasten the FEET (H) to the BOTTOM (F). Use eight 1/2" PAN HEAD SCREWS (9).
- Turn six CAM SCREWS (1) into the TOP (J).



# Step 10

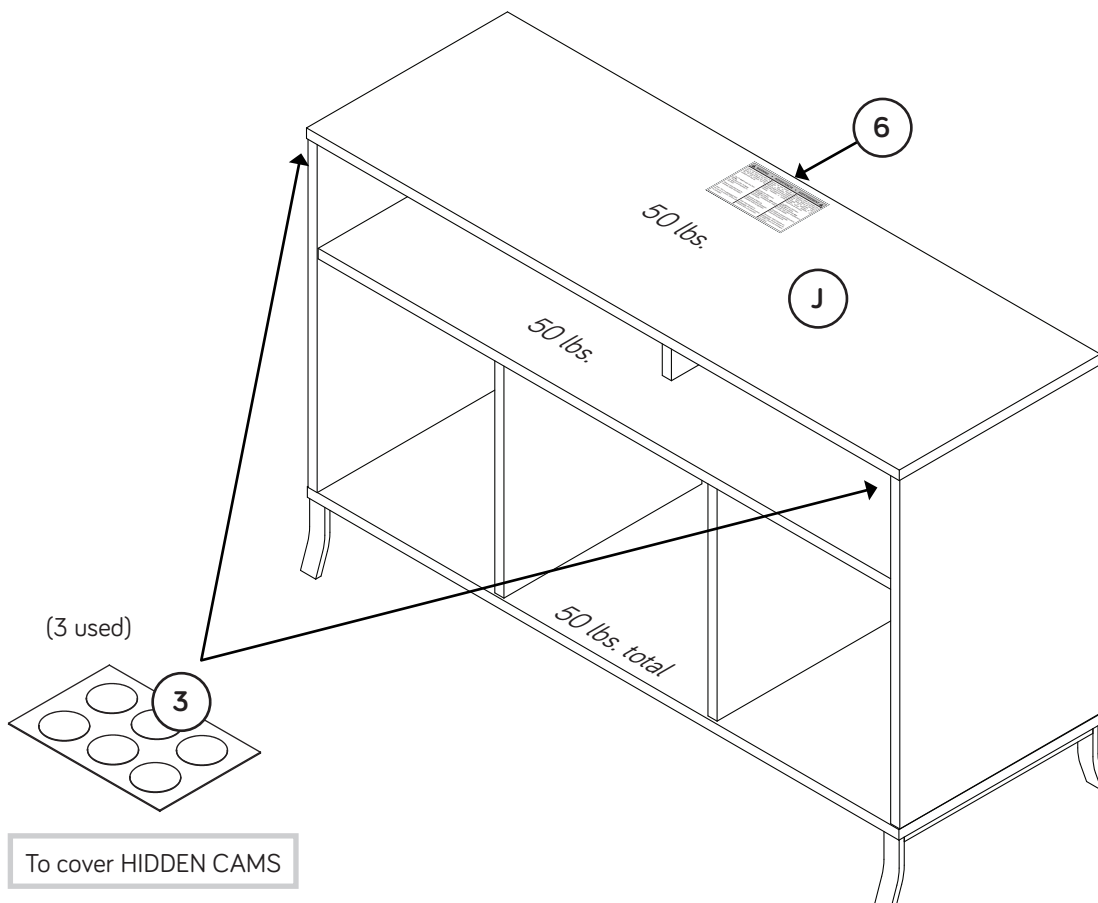
- ✚ Carefully stand your unit upright.
- ✚ Insert a WOOD DOWEL (3) into each END (D and E).
- ✚ Fasten the TOP (J) to the SMALL UPRIGHT (A) and ENDS (D and E). Tighten six HIDDEN CAMS.
- ✚ **NOTE:** Be sure the WOOD DOWELS in the ENDS insert into the TOP.



# Step 11

- ✚ Apply the WARNING LABEL (6) to the TOP (J). You should be able to read the label when the TV is removed from the unit. When the TV is in place, it should hide the label. Peel off the backing and apply the label as shown in the diagram.
- ✚ **NOTE:** This is a permanent label intended to last for the life of the product. Once applied, do not try to remove it.
- ✚ Peel APPLIQUES from the APPLIQUE CARDS (4) and stick them onto each visible HIDDEN CAM.
- ✚ **NOTE:** Please read the back pages of the instruction booklet for important safety information.
- ✚ This completes assembly. Clean with a damp cloth. Wipe dry.

⚠ WARNING • ADVERTENCIA • AVERTISSEMENT ⚠		
<p>Never use this furniture with a TV that is too large or too heavy. Severe injury or death can occur. The TV and furniture will be unstable and may tip.</p> <p>-The TV <b>must</b> weigh less than <b>50 lbs.</b> -The base of the TV <b>must</b> be able to sit completely on this shelf.</p> <p>Refer to instruction book for complete safety information.</p> <p><i>Note: This is a <u>permanent</u> label. Do not try to remove. Surface will be damaged.</i></p>	<p>Nunca use este mueble con un televisor que es demasiado grande o demasiado pesado. Podría resultar en una lesión grave hasta fatal. El televisor y el mueble estarán inestables y pueden volcarse.</p> <p>-El televisor debe pesar <b>22,68 kg</b> o menos. -La base del televisor <b>debe</b> poder colocarse completamente sobre este estante.</p> <p>Consulte el folleto de instrucciones para información completa sobre la seguridad.</p> <p><i>Nota: Esta etiqueta es <u>permanente</u>. No intente quitarla. Causará daño a la superficie.</i></p>	<p>Ne jamais utiliser ce meuble avec un téléviseur qui soit trop large ou trop lourd. Risque de provoquer des blessures graves, voire mortelles. Le téléviseur et le meuble seront instables et risquent de se renverser.</p> <p>-Le téléviseur doit peser <b>22,68 kg</b> ou moins. -Le socle du téléviseur <b>doit</b> pouvoir être placé complètement sur cette tablette.</p> <p>Consulter le manuel d'instructions pour information complète concernant la sécurité.</p> <p><i>Remarque: Cette étiquette est <u>permanente</u>. Ne pas essayer de la retirer. Causer des dommages à la surface.</i></p>





**⚠ WARNING**

Please use your furniture correctly and safely. Improper use can cause safety hazards, or damage to your furniture or household items. Carefully read the following safety information.

Death or serious injury may occur when children climb on audio and/or video equipment furniture. A remote control or toys placed on the furnishing may encourage a child to climb on the furnishing and as a result may tip over onto the child.

**NEVER** allow children to climb or play with the TV or furnishing supporting the TV.

**NEVER** place toys, food, remote, etc. on top of the TV or TV furnishing.

**ALWAYS** use either the safety hardware as instructed or other wall anchoring device.

Relocating audio and/or video equipment to furniture not specifically designed to support audio and/or video equipment may result in death or serious injury due to furniture collapse or over turning onto a child.

**NEVER** place a TV on furniture that is not intended to support a TV.

**NEVER** exceed the maximum size and weight of the TV shown in the instructions.

Be sure to apply the TV warning label as shown in the instructions.

Overloading drawers and shelves may result in furniture that can break or sag, or tip-over which may result in injury.

**NEVER** exceed the weight limits shown in the instructions.

Place the heavier items on lower shelves as far back from the front as possible.

Load the bottom surfaces first to avoid top-heavy furniture.

Moving furniture that is not designed to be moved or equipped with casters may result in injury or damage to furnishings or personal property.

**ALWAYS** unload shelves and drawers, starting with the top surfaces, before moving.

**NEVER** push or pull furniture on carpet. Have a friend help lift properly to move and/or reposition it.