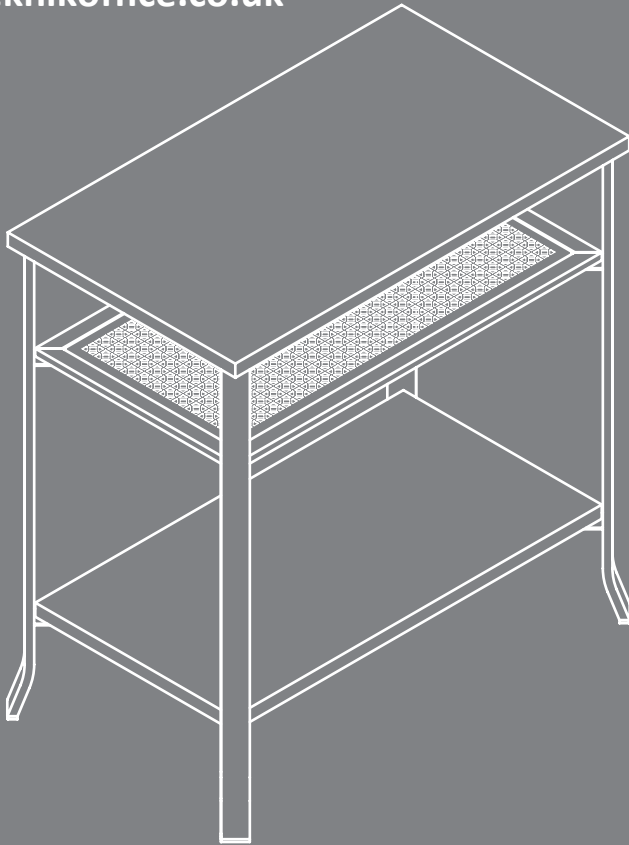


www.teknikoffice.co.uk

Teknik



Gets on your couch's
good side.

Side Table

City Centre Collection | **Model 5425653**

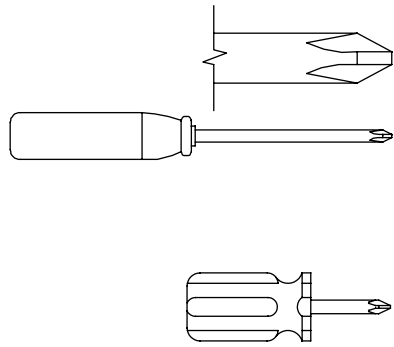
NOTE: THIS INSTRUCTION BOOKLET CONTAINS **IMPORTANT** SAFETY INFORMATION.

PLEASE READ AND KEEP FOR FUTURE REFERENCE.

Table of Contents

Assembly Tools Required

Part Identification	2
Hardware Identification	2
Assembly Steps	3
Safety	4



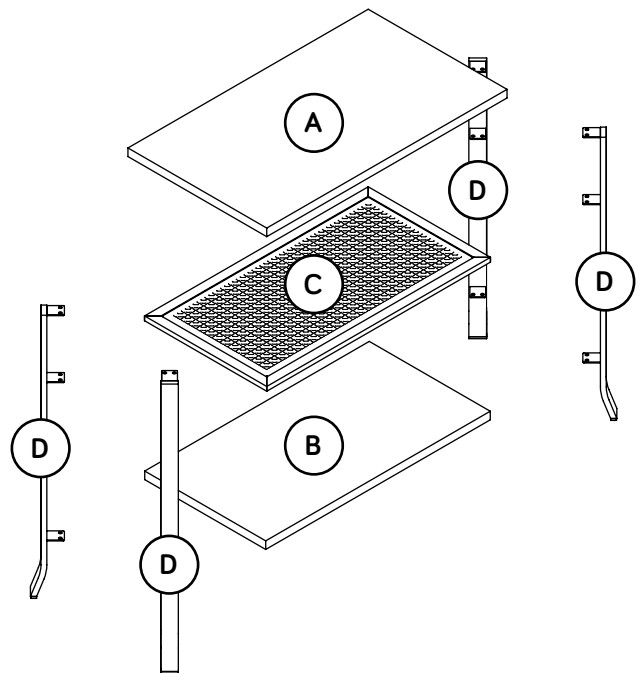
No. 2 Phillips Screwdriver
Tip Shown Actual Size

Short Screwdriver

Part Identification

Use this part identification to help identify the parts.

A	TOP (1)
B	BOTTOM (1)
C	SHELF (1)
D	LEG (4)



Hardware Identification

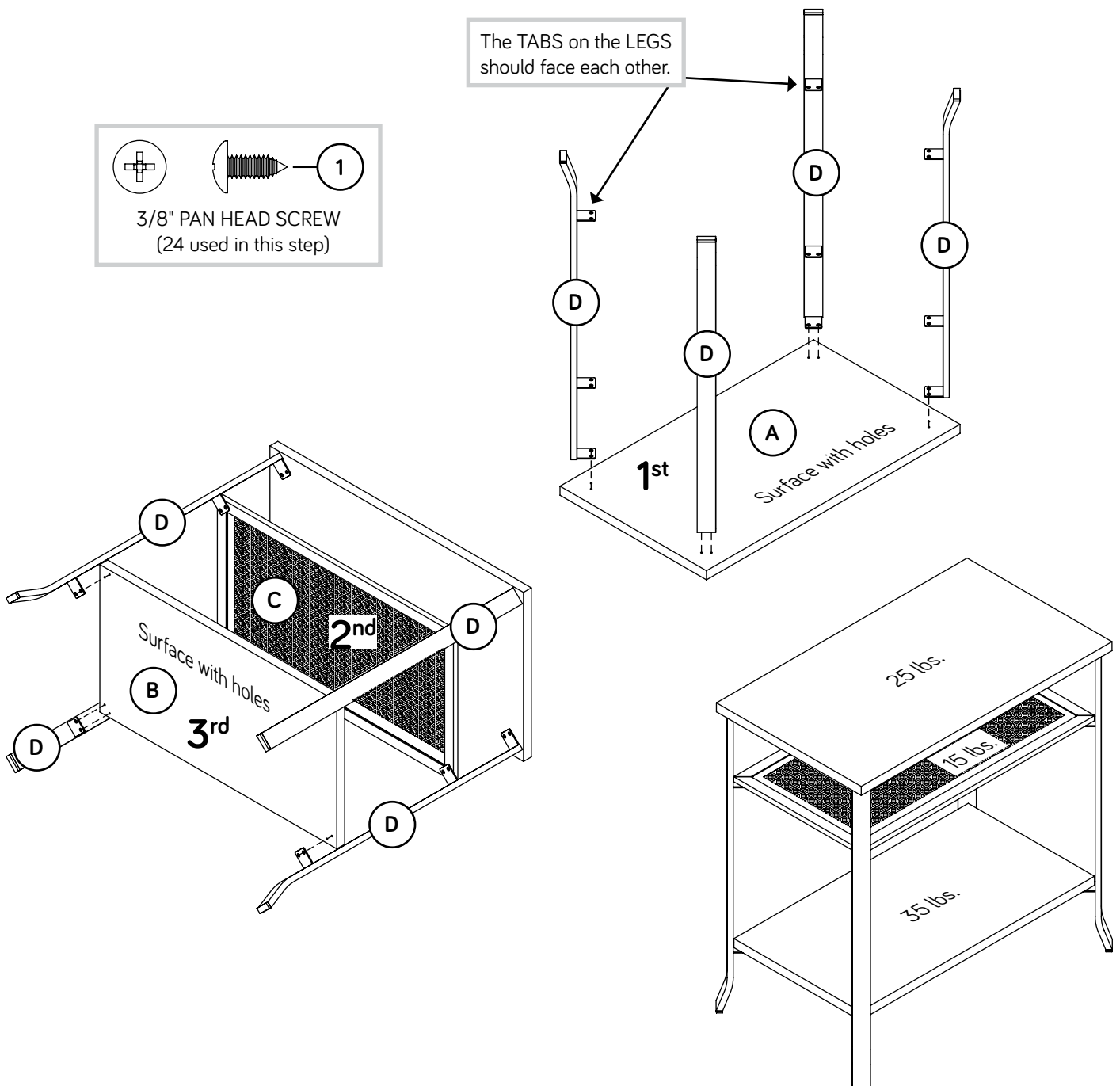
Screws are shown actual size. You may receive extra hardware with your unit.

1 3/8" PAN HEAD SCREW - 24



Step 1

- ✦ Assemble your unit on a carpeted floor or on the empty carton to avoid scratching your unit or the floor.
- ✦ **NOTE:** Do not completely tighten the SCREWS until the end of this step.
- ✦ 1st - Fasten the LEGS (D) to the TOP (A). Use eight 3/8" PAN HEAD SCREWS (1).
- ✦ 2nd - Fasten the SHELF (C) to the TABS on the LEGS (D). Use eight 3/8" PAN HEAD SCREWS (1).
- ✦ 3rd - Fasten the BOTTOM (B) to the TABS on the LEGS (D). Use eight 3/8" PAN HEAD SCREWS (1).
- ✦ Completely tighten all of the SCREWS and stand your unit upright.
- ✦ **NOTE:** Please read the back pages of the instruction booklet for important safety information.
- ✦ This completes assembly. Clean with a damp cloth. Wipe dry.



⚠ WARNING

Please use your furniture correctly and safely. Improper use can cause safety hazards, or damage to your furniture or household items. ***Carefully read the following chart.***

Look out for:	What can happen:	How to avoid the problem:
<ul style="list-style-type: none">Overloaded shelves.	<ul style="list-style-type: none">Risk of injury.Top-heavy furniture can tip over.Overloaded shelves can break.	<ul style="list-style-type: none">Never exceed the weight limits shown in the instructions.Work from bottom to top when loading shelves. Place the heavier items on the lower shelves.
<ul style="list-style-type: none">Placing TVs on furniture items that are not designed to support a television is hazardous.	<ul style="list-style-type: none">Risk of injury or death. TVs can be very heavy. Plus the weight and location of the picture tube tends to make TVs unbalanced and prone to tipping forward.	<ul style="list-style-type: none">This product is not designed to support a television.