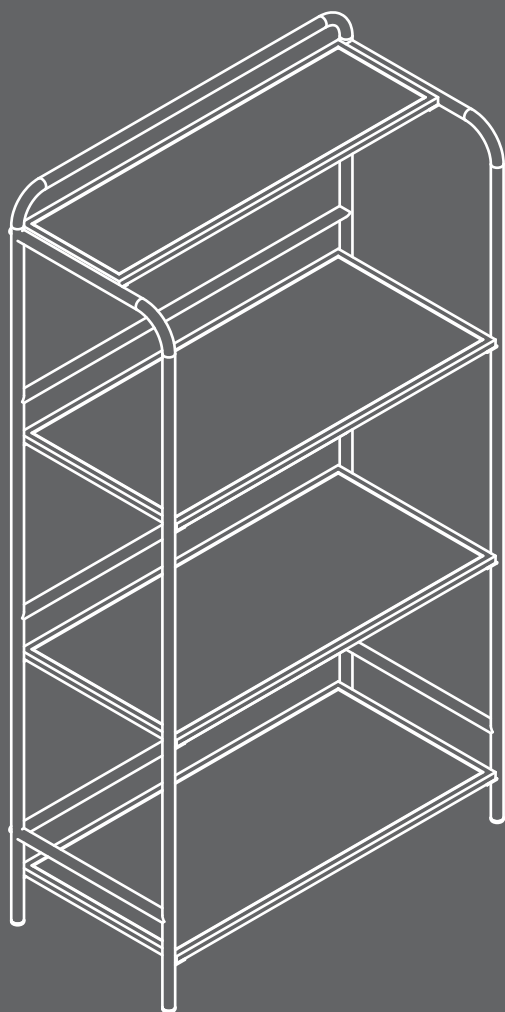


www.teknikoffice.co.uk

Teknik



For things 'n such.

Rectangular Bookcase/DisplayUnit

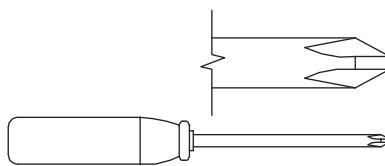
Boulevard Cafe Collection | Model 5421950



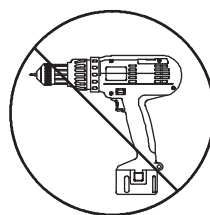
Table of Contents

Assembly Tools Required

Part Identification	3
Hardware Identification	2
Assembly Steps	4-8
Safety	13-14



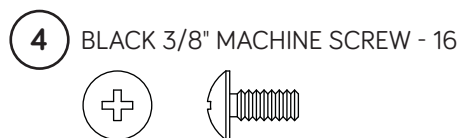
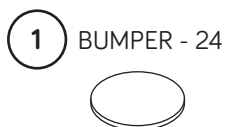
No. 2 Phillips Screwdriver
Tip Shown Actual Size



Skip the power trip.
This time.

Hardware Identification

† Screws are shown actual size. You may receive extra hardware with your unit.



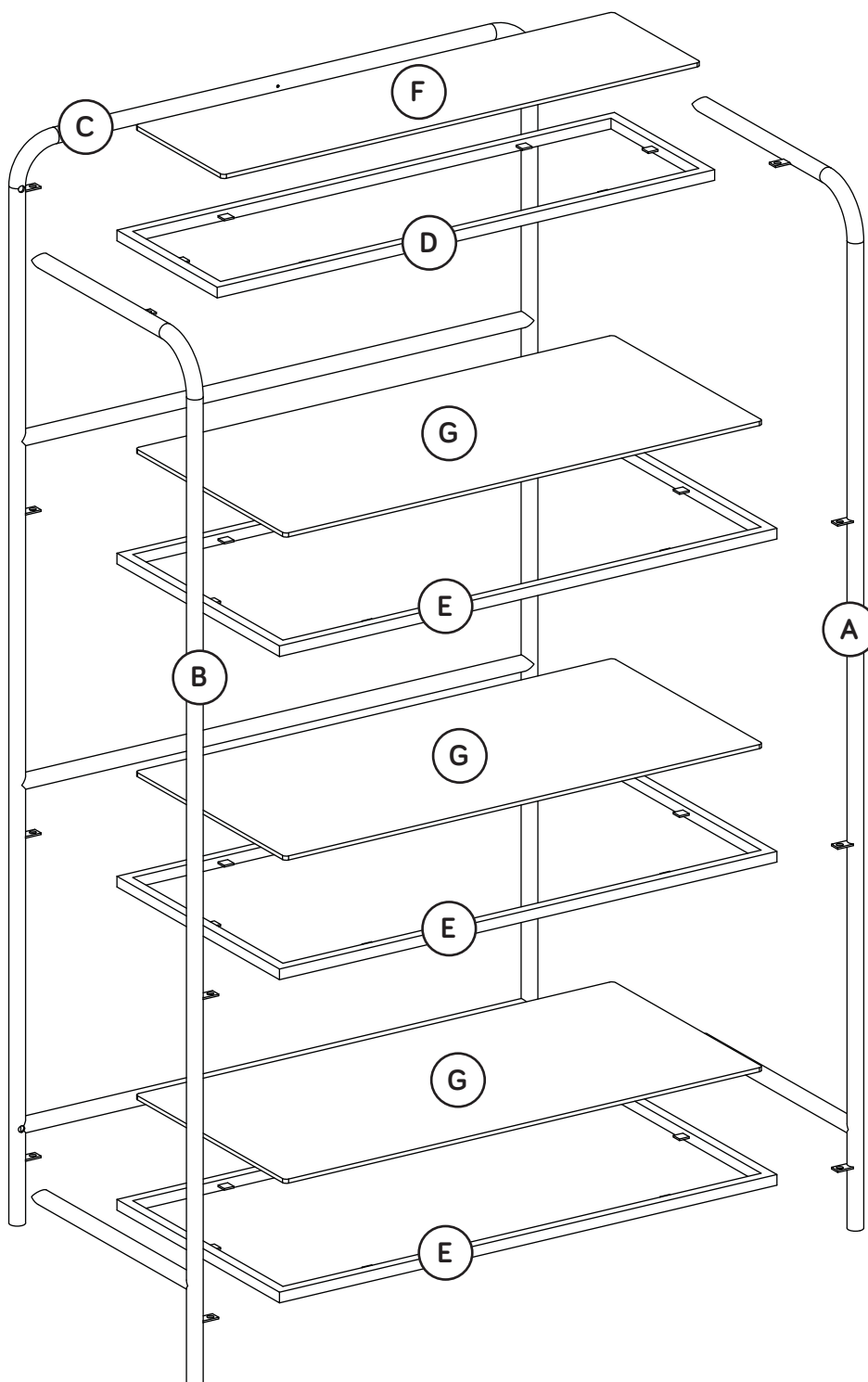
Part Identification

Now you know
our ABCs.



↑ While not all parts are labeled, some of the parts will have a label or an inked letter on the edge to help distinguish similar parts from each other. Use this part identification to help identify similar parts.

A	RIGHT END (1)
B	LEFT END (1)
C	BACK (1)
D	TOP FRAME (1)
E	SHELF FRAME (3)
F	TOP GLASS SHELF (1)
G	GLASS SHELF (3)



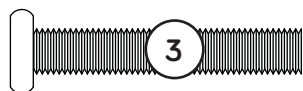
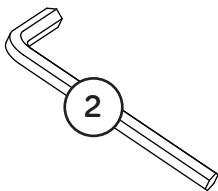
Step 1

- ⚡ Assemble your unit on a carpeted floor or on the empty carton to avoid scratching your unit or the floor.
- ⚡ Fasten the ENDS (A and B) to the BACK (C). Use four BLACK 1-3/8" ALLEN HEAD SCREWS (3) with the ALLEN WRENCH (2).



Some assembly
(and snacks) required.

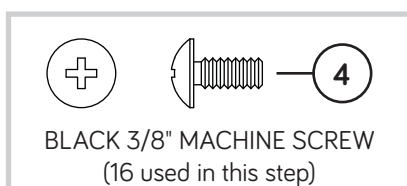
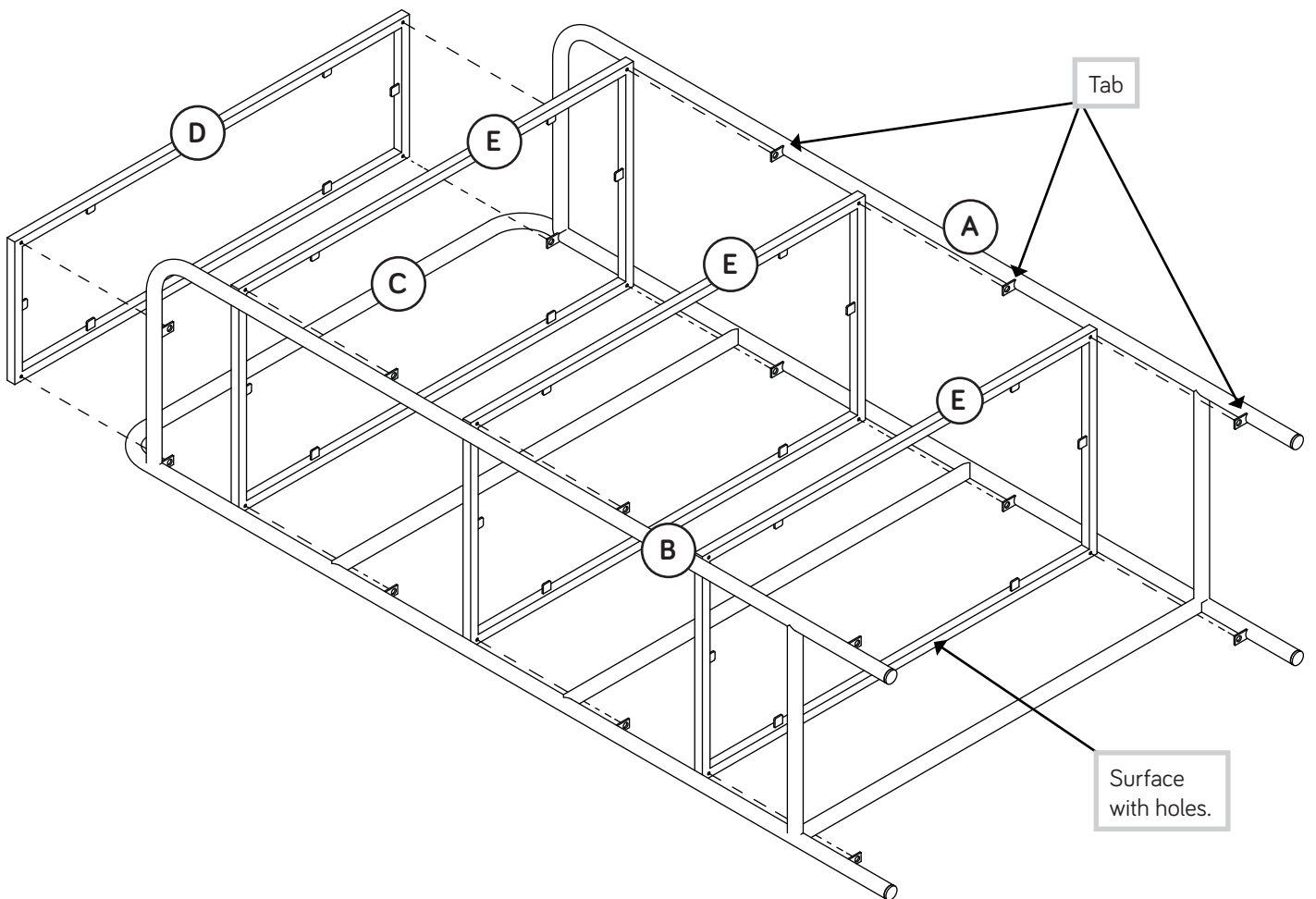
The hole
must be here.



BLACK 1-3/8" ALLEN HEAD SCREW
(4 used in this step)

Step 2

- ✚ Carefully lay your unit on its back.
- ✚ Fasten the FRAMES (D and E) to the ENDS (A and B) and BACK (C). Use sixteen BLACK 3/8" MACHINE SCREWS (4) through the tabs on the ENDS and BACK and into the holes in the FRAMES.
- ✚ **NOTE:** You may want to start each SCREW a few turns before completely tightening any of them.

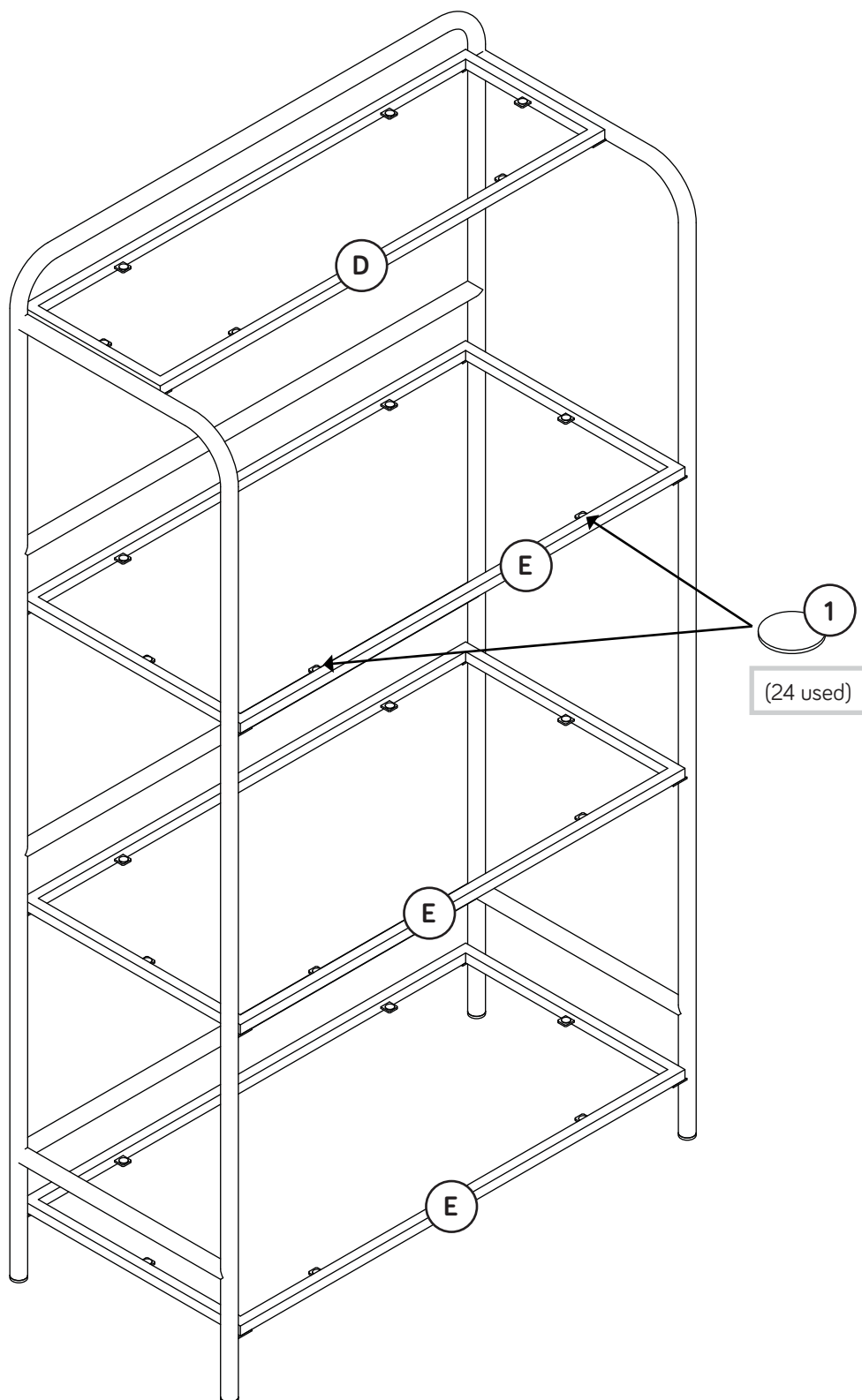


Step 3

- ⚡ Carefully stand your unit upright.
- ⚡ Stick a BUMPER (1) onto each tab on the FRAMES (D and E).



Pro Tip: Lift with your legs. And, you know, your arms.



Step 4

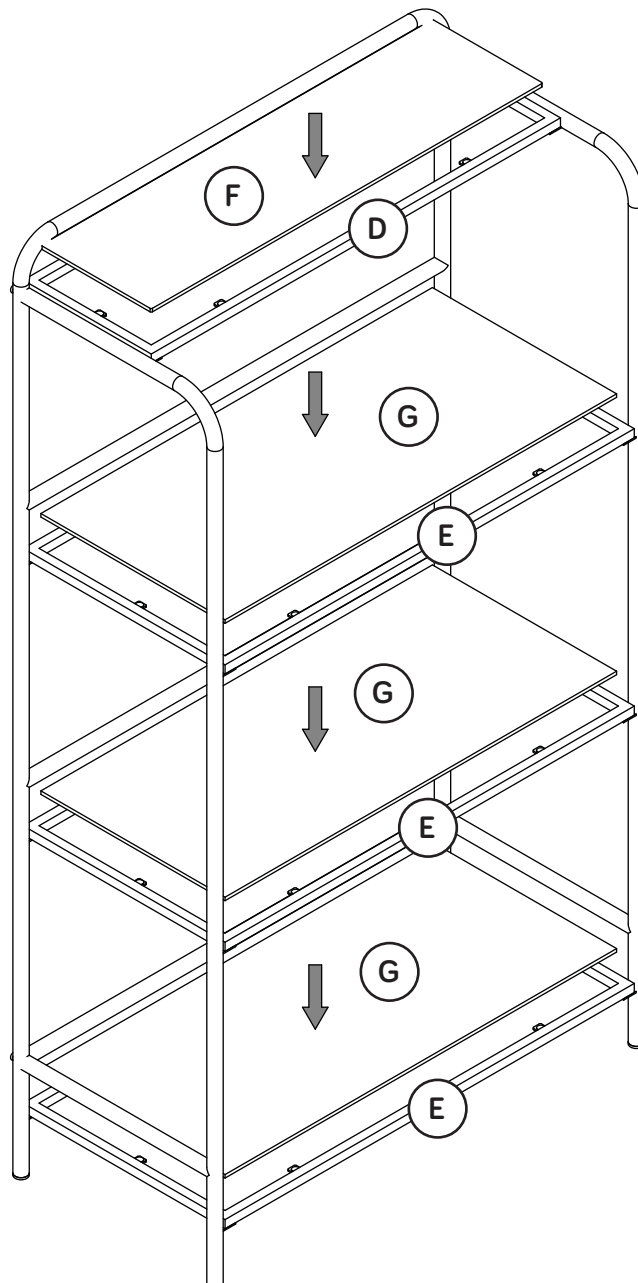
⚠ Caution

Tempered safety glass is used. It is stronger than normal glass, and it will not break into long, sharp, knife-like shards. However, safety glass **can break**. When safety glass breaks, it instantly fractures into small, bead-like pieces. These small pieces may have sharp edges.

For your safety, follow these precautions when you assemble your product:

- Wear safety glasses or other eye protection.
- Do not try to drill into or cut safety glass. It will instantly break into small pieces.
- Do not force the glass into position.
- If the glass breaks, be careful when you pick up the pieces. They may have sharp edges.

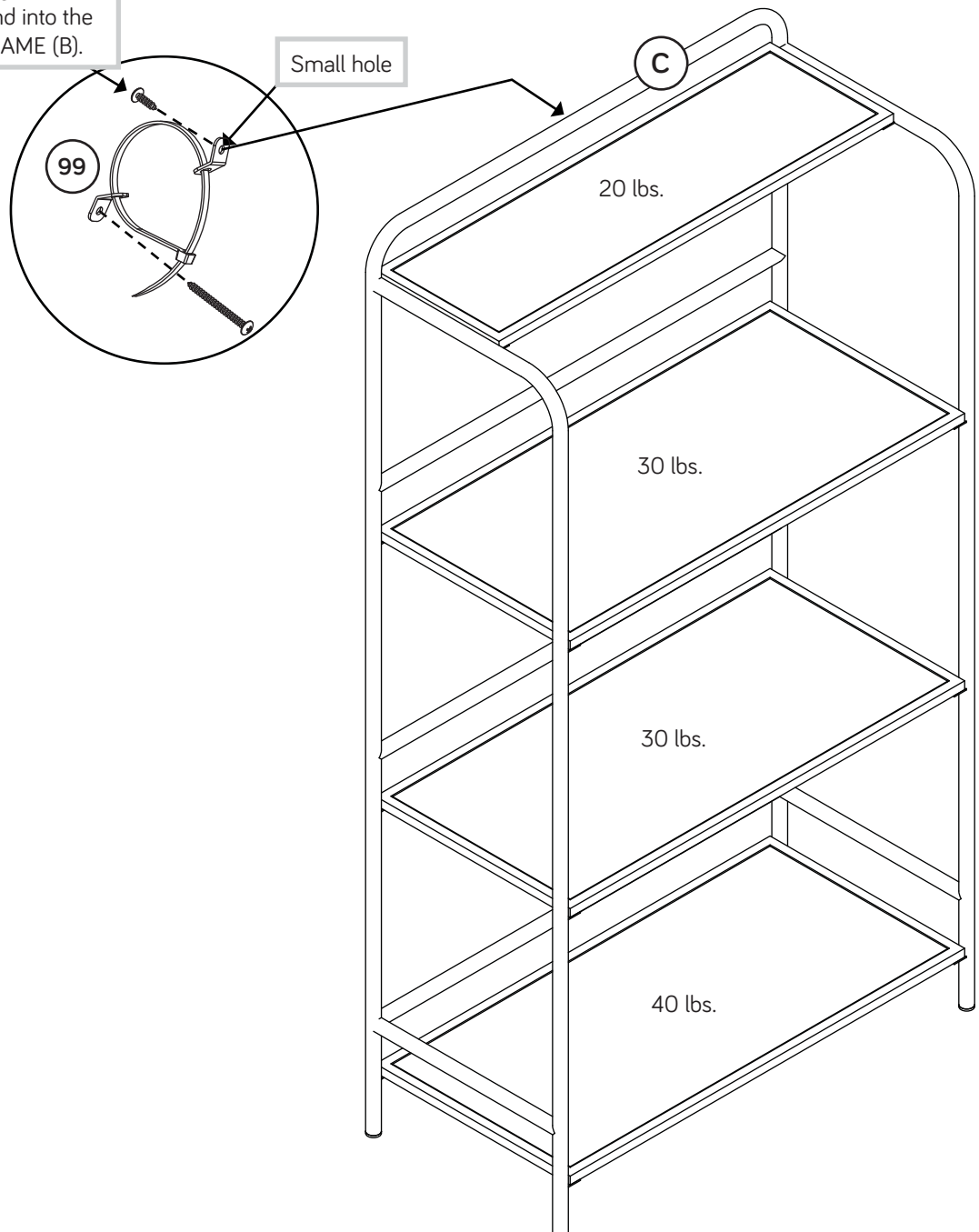
🔩 Carefully place the GLASS SHELVES (F and G) onto the tabs on the FRAMES (D and E).



Step 5

- ✚ We recommend using the FURNITURE TIPPING RESTRAINT KIT (99) for added stability. Fasten a bracket to the back edge of the BACK (C) using the 5/8" screw as shown.
- ✚ Place your unit in its final location against a wall.
- ✚ Follow the instructions included in the KIT to fasten your unit to the wall.
- ✚ NOTE: Please read the back pages of the instruction booklet for important safety information.
- ✚ This completes assembly. Clean with your favorite furniture polish or a damp cloth. Wipe dry.

Use the 5/8" screw through the small hole in a bracket and into the back edge of the TOP FRAME (B).



WARNING

Please use your furniture correctly and safely. Improper use can cause safety hazards, or damage to your furniture or household items. ***Carefully read the following chart.***

Look out for:	What can happen:	How to avoid the problem:
<ul style="list-style-type: none">• Overloaded shelves.• Improper loading can cause the product to be top-heavy.	<ul style="list-style-type: none">• Risk of injury.• Top-heavy furniture can tip over.• Overloaded shelves can break.	<ul style="list-style-type: none">• Never exceed the weight limits shown in the instructions.• Work from bottom to top when loading shelves. Place the heavier items on the lower shelves.
<ul style="list-style-type: none">• Improperly moving furniture that is not designed and equipped with casters.	<ul style="list-style-type: none">• Furniture can tip over or break if improperly moved.• Physical injury. Furniture can be very heavy.	<ul style="list-style-type: none">• Unload shelves from top to bottom before moving the furniture.• Do not push furniture, especially on a carpeted floor. Have a friend help you lift the item and set it in place.• This unit must be positioned against a wall.
<ul style="list-style-type: none">• Children climbing on the shelves can cause the product to tip.	<ul style="list-style-type: none">• Risk of injury or death.	<ul style="list-style-type: none">• Do not allow children to climb on the shelves. Avoid placing items like toys or candy on upper shelves.• Use the supplied tipping restraint kit for added stability.
<ul style="list-style-type: none">• Placing TVs on furniture items that are not designed to support a television is hazardous.	<ul style="list-style-type: none">• Risk of injury or death. TVs can be very heavy. Plus the weight and location of the picture tube tends to make TVs unbalanced and prone to tipping forward.	<ul style="list-style-type: none">• This product is not designed to support a television.