

www.teknikoffice.co.uk

Teknik



Get all **organized**
and **stuff**.

Lateral File

Boulevard Cafe Collection | **Model 5427345**

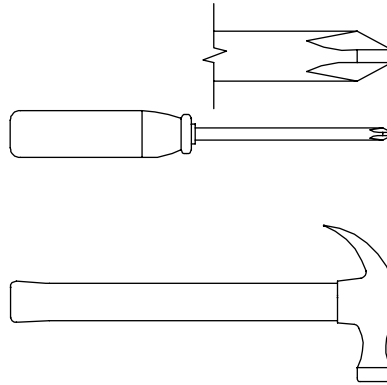
NOTE: THIS INSTRUCTION
BOOKLET CONTAINS **IMPORTANT**
SAFETY INFORMATION.

PLEASE READ AND KEEP FOR
FUTURE REFERENCE.

Table of Contents

Assembly Tools Required

Part Identification	3
Hardware Identification	4-5
Hardware Usage Guide	6
Assembly Steps	7-22
Safety	23

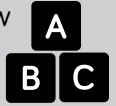


No. 2 Phillips Screwdriver
Tip Shown Actual Size

Hammer
Not actual size 😊

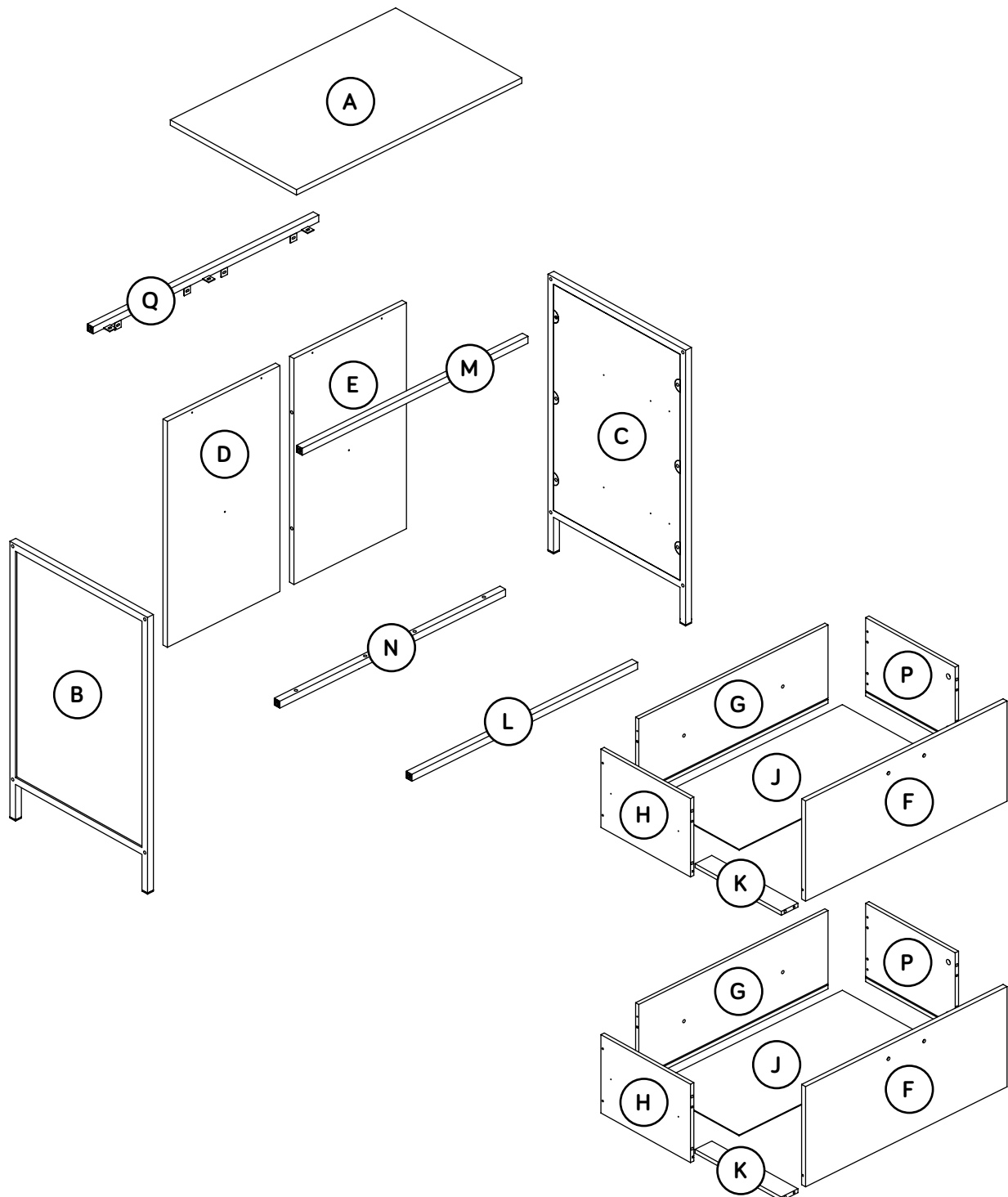
Part Identification

Now you know
our ABCs.



While not all parts are labeled, some of the parts will have a label or an inked letter on the edge to help distinguish similar parts from each other. Use this part identification to help identify similar parts.

A	TOP (1)	F	DRAWER FRONT (2)	L	LOWER FRONT BRACE (1)
B	LEFT END (1)	G	DRAWER BACK (2)	M	UPPER FRONT BRACE (1)
C	RIGHT END (1)	H	LEFT DRAWER SIDE (2)	N	LOWER BACK BRACE (1)
D	LEFT BACK (1)	J	DRAWER BOTTOM (2)	P	RIGHT DRAWER SIDE (2)
E	RIGHT BACK (1)	K	DRAWER BRACE (2)	Q	UPPER BACK BRACE (1)

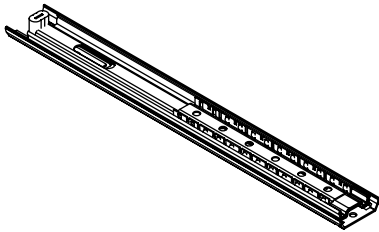


Hardware Identification

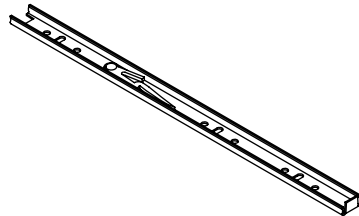
† Screws are shown actual size. You may receive extra hardware with your unit.

(EXTENSION SET SHOWN SEPARATED)

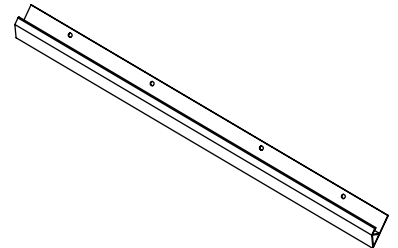
1 EXTENSION RAIL - 4



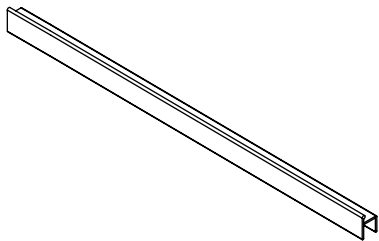
2 EXTENSION SLIDE - 4



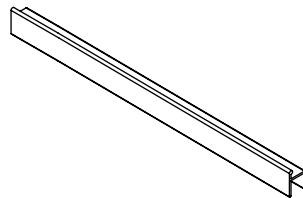
3 FRONT FILE GLIDE - 2



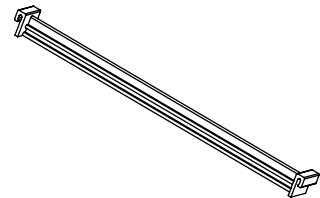
4 LONG FILE GLIDE - 2



5 SHORT FILE GLIDE - 4



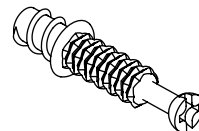
6 FILE HANGER - 4



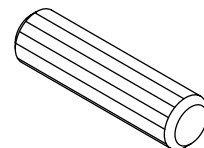
7 HIDDEN CAM - 10



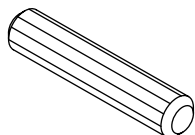
8 CAM SCREW - 10



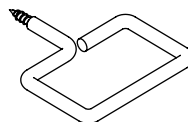
9 LARGE WOOD DOWEL - 2



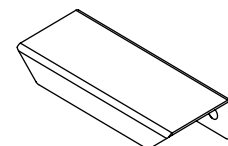
10 SMALL WOOD DOWEL - 18



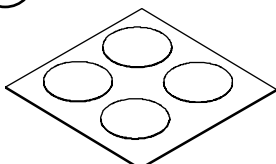
11 HOOK - 2



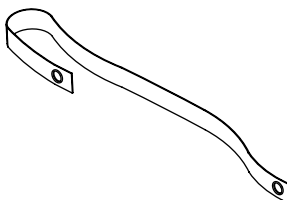
12 PULL - 2



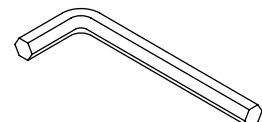
13 APPLIQUE CARD - 2



14 STRAP - 2

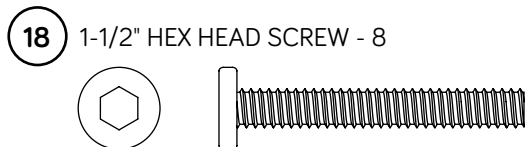
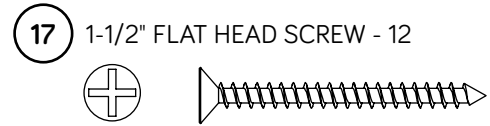
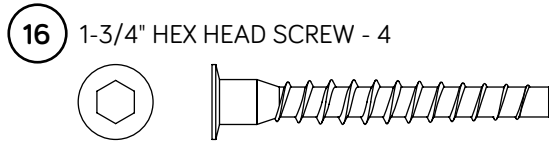


15 L-WRENCH - 2



Hardware Identification

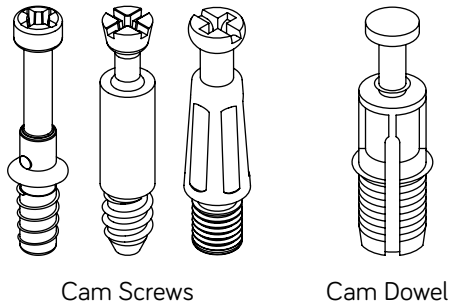
† Screws are shown actual size. You may receive extra hardware with your unit.



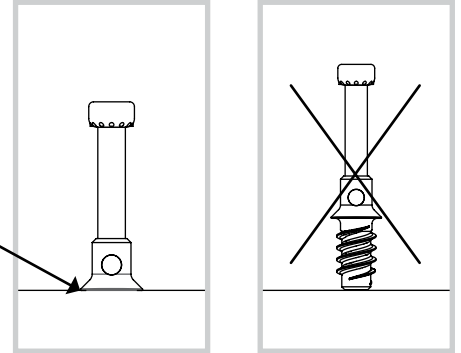
Hardware Usage Guide

HOW TO USE A HIDDEN CAM & CAM SCREW OR CAM DOWEL

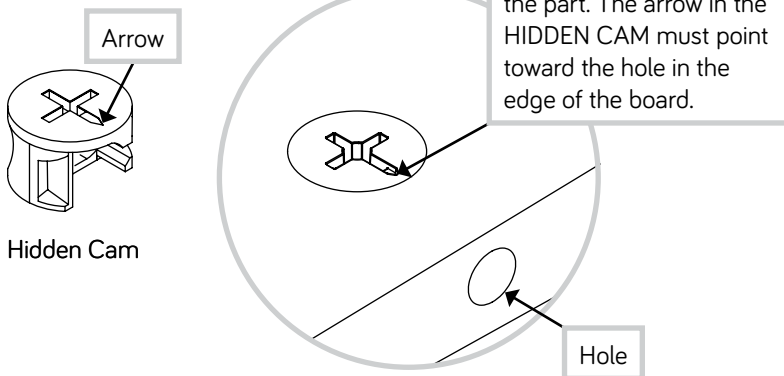
1. NOTE: Various CAM SCREWS or a CAM DOWEL may be used.



Turn the CAM SCREW or gently tap the CAM DOWEL until the shoulder is against the surface of the part.

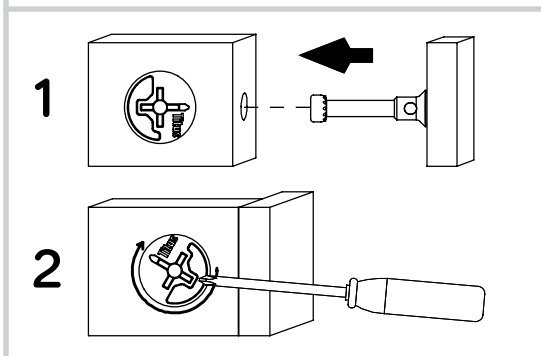


2.



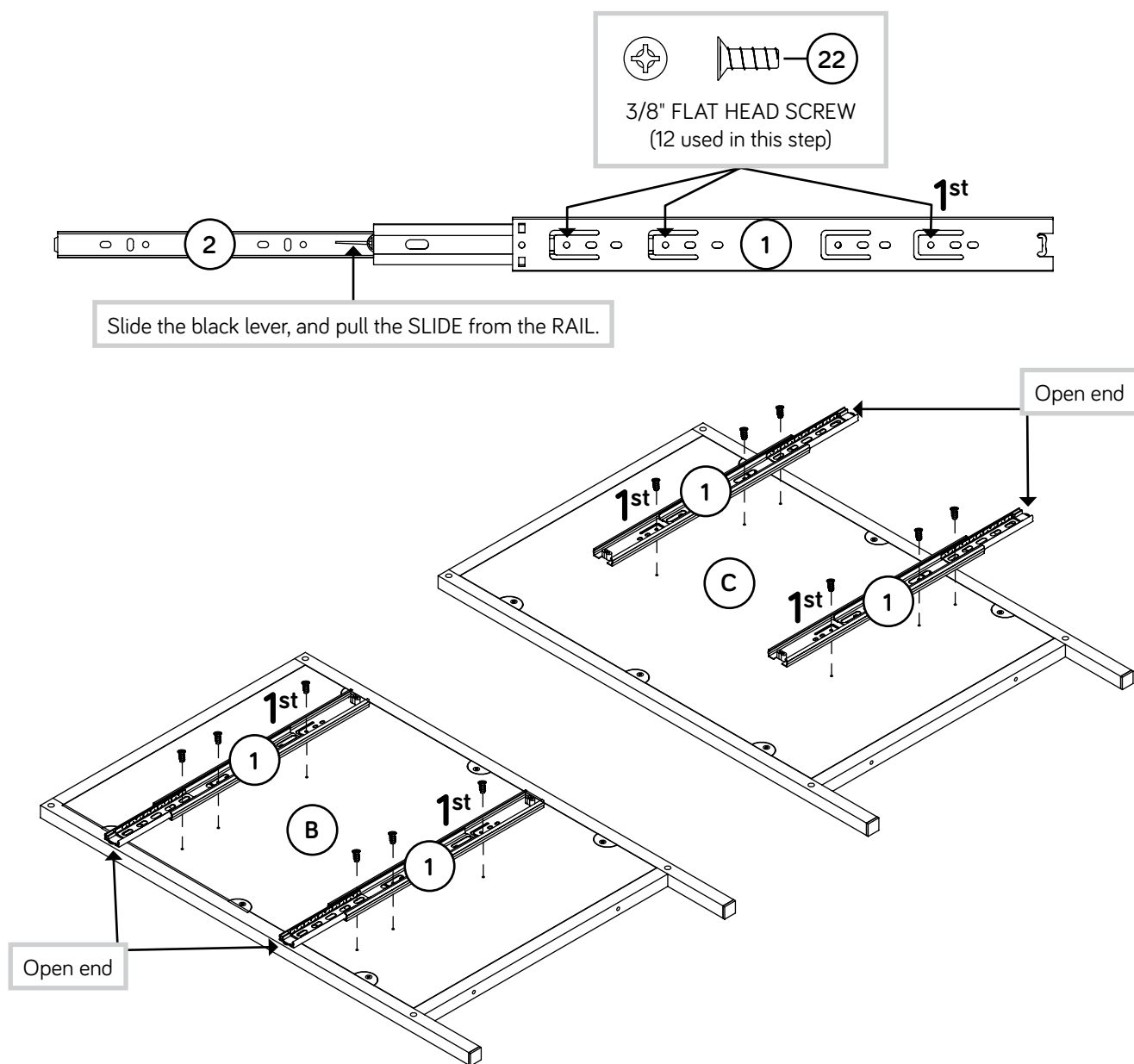
3.

Insert the CAM SCREW or CAM DOWEL into the HIDDEN CAM. Tighten the HIDDEN CAM.




Step 1

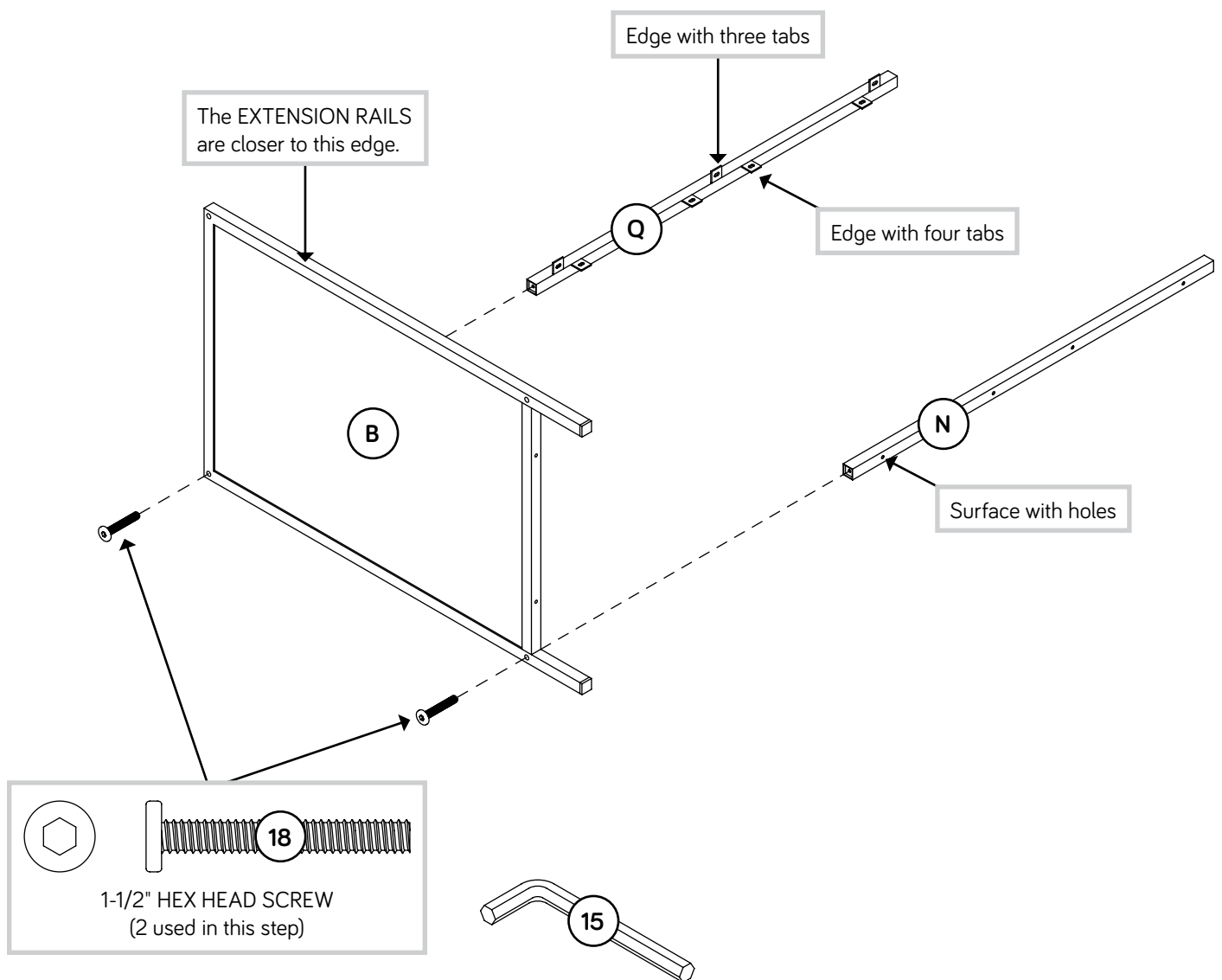
- ✚ Assemble your unit on a carpeted floor or on the empty carton to avoid scratching your unit or the floor.
- ✚ Separate the EXTENSION SLIDES (2) from the EXTENSION RAILS (1) as shown in the upper diagram below. Be prepared, the parts are greasy.
- ✚ Fasten the EXTENSION RAILS (1) to the ENDS (B and C). Use twelve 3/8" FLAT HEAD SCREWS (22) through the exact holes shown.
- ✚ NOTE: For each EXTENSION RAIL, turn a SCREW into the 1st hole shown in the enlarged diagram. Then, slide the inner cartridge of the EXTENSION RAIL in to find the other two holes that line up with the holes in the END. Turn a SCREW into each of these holes.



Step 2

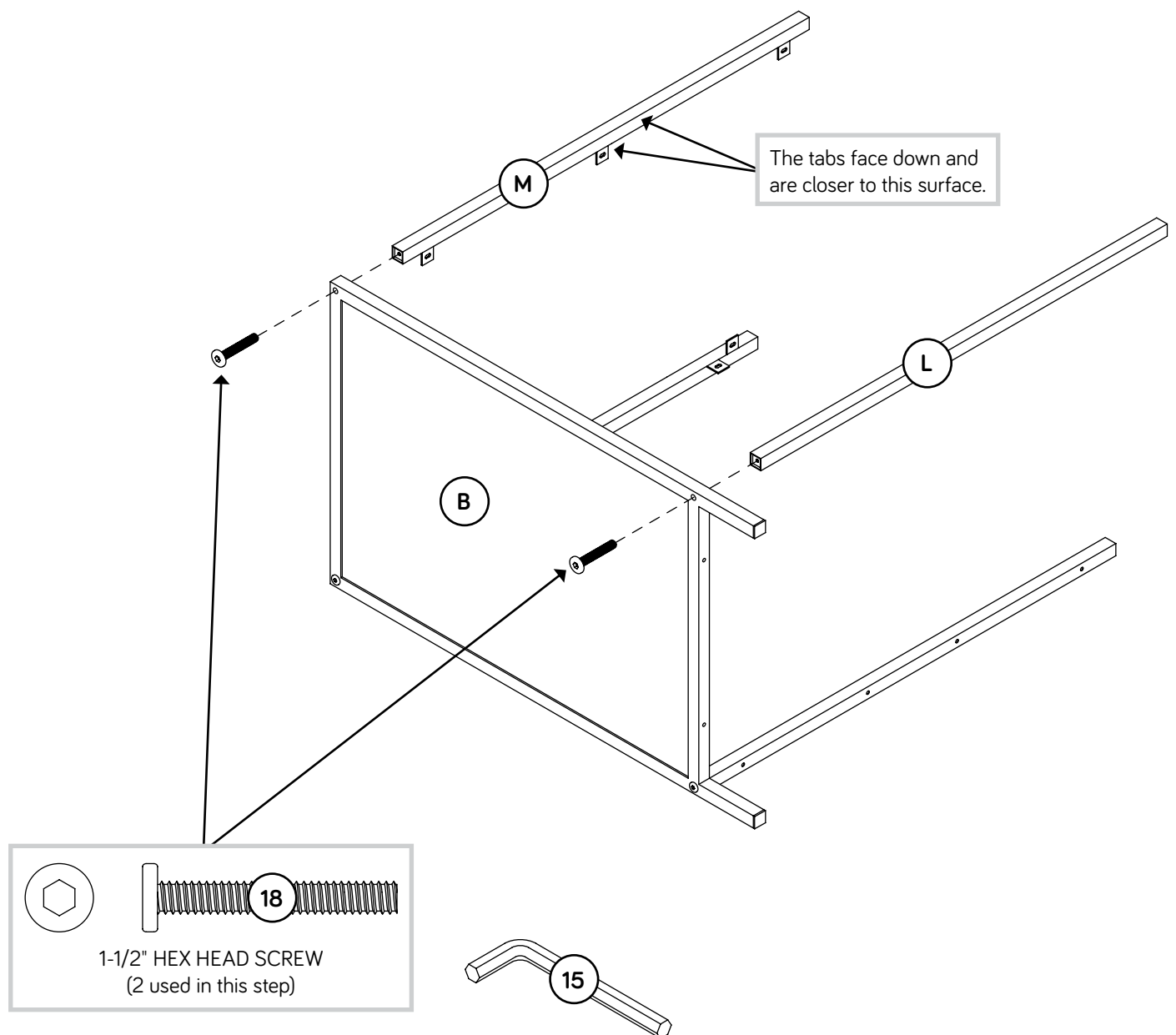
Fasten the BACK BRACES (N and Q) to the LEFT END (B). Tighten two 1-1/2" HEX HEAD SCREWS (18) using the L-WRENCH (15).

 Some assembly (and snacks) required.



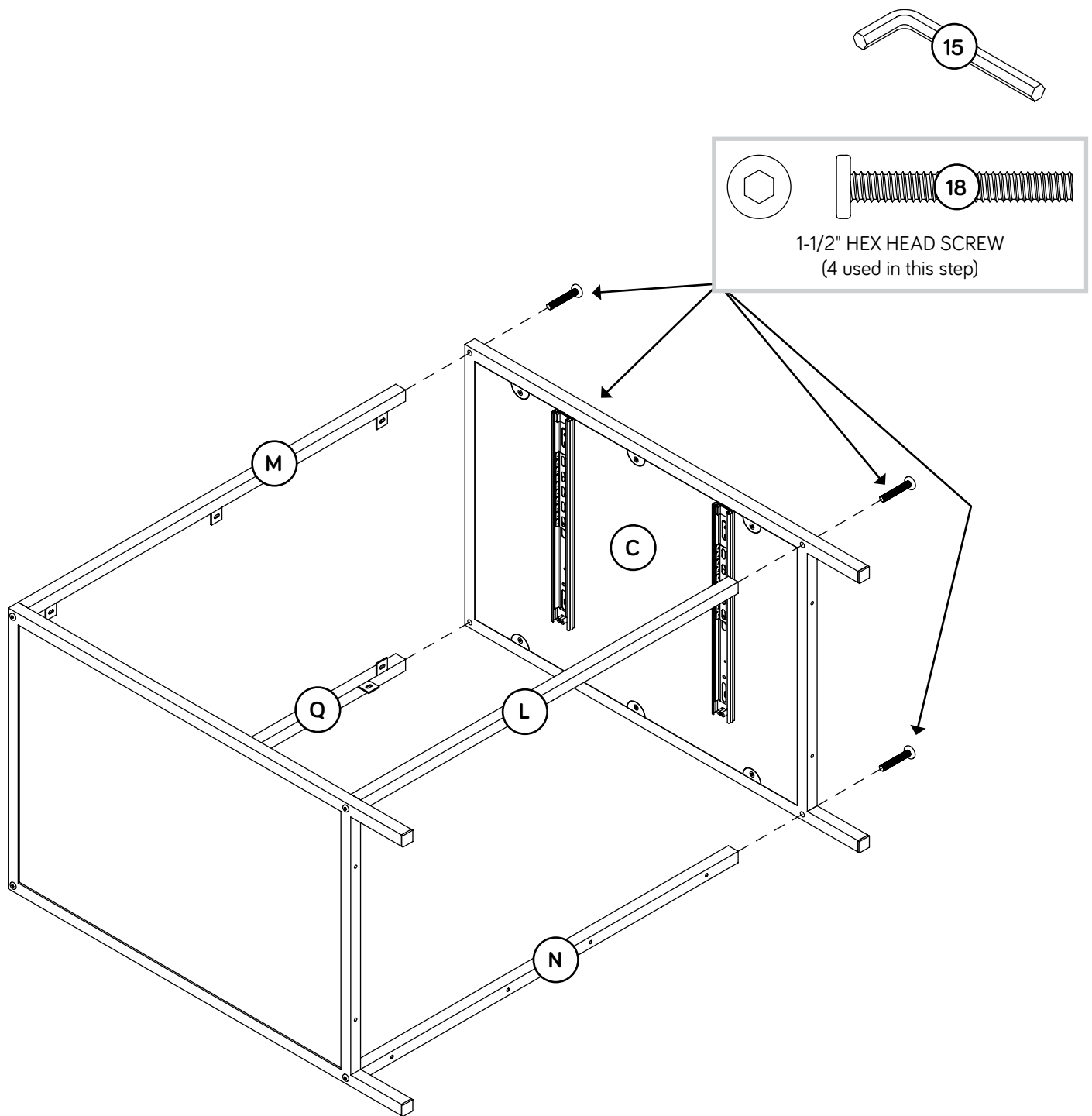
Step 3

- Fasten the FRONT BRACES (L and M) to the LEFT END (B). Tighten two 1-1/2" HEX HEAD SCREWS (18) using the L-WRENCH (15).



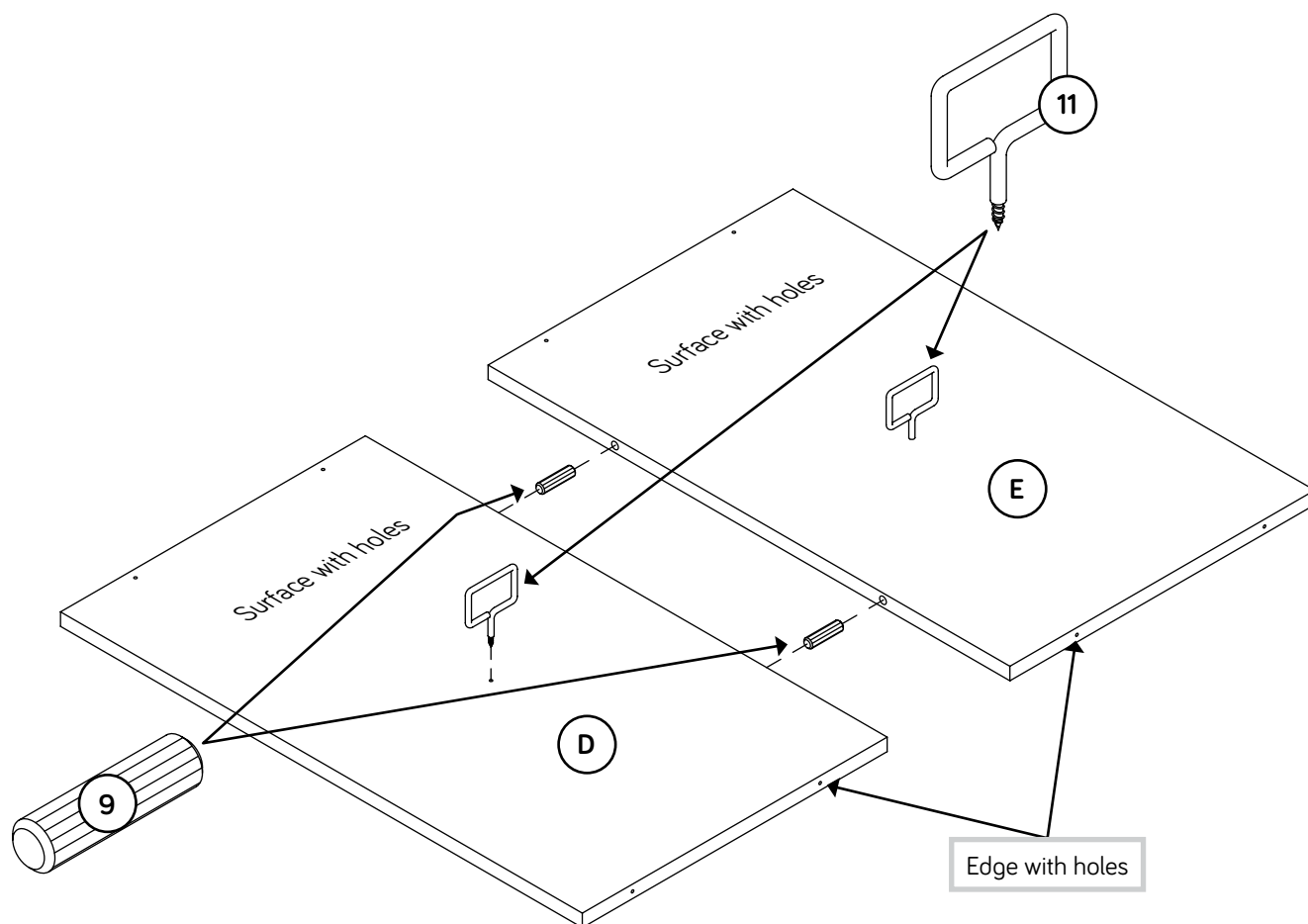
Step 4

- Fasten the RIGHT END (C) to the BRACES (L, M, N, and Q). Tighten four 1-1/2" HEX HEAD SCREWS (18) using the L-WRENCH (15).



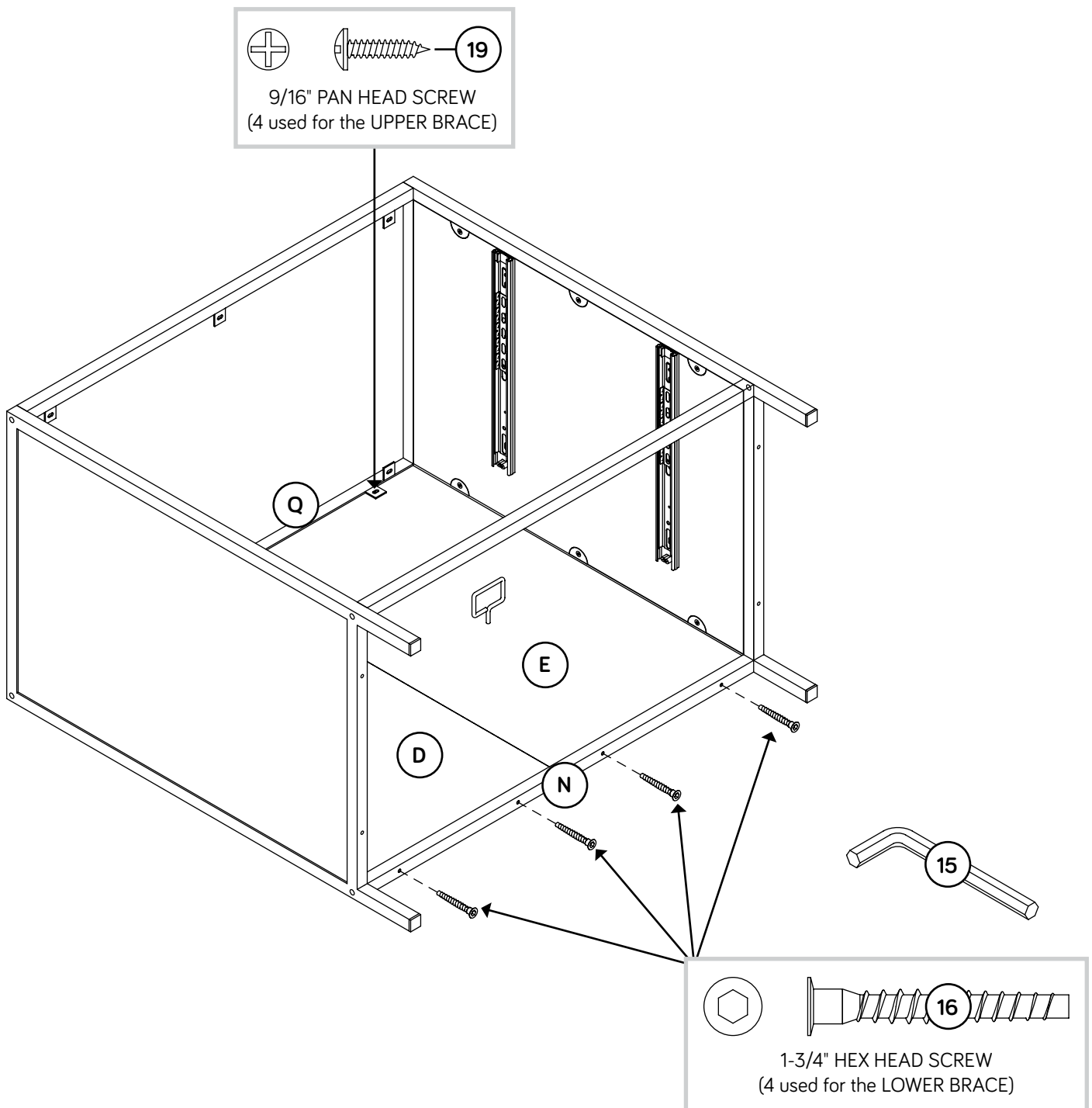
Step 5

- ✚ Connect the BACKS (D and E) together by inserting two LARGE WOOD DOWELS (9) into the holes in the BACKS (D and E) as shown.
- ✚ Turn the HOOKS (11) into the BACKS (D and E) until they are snug.
- ✚ NOTE: The open side of the HOOK should face the short edge of the BACK.



Step 6

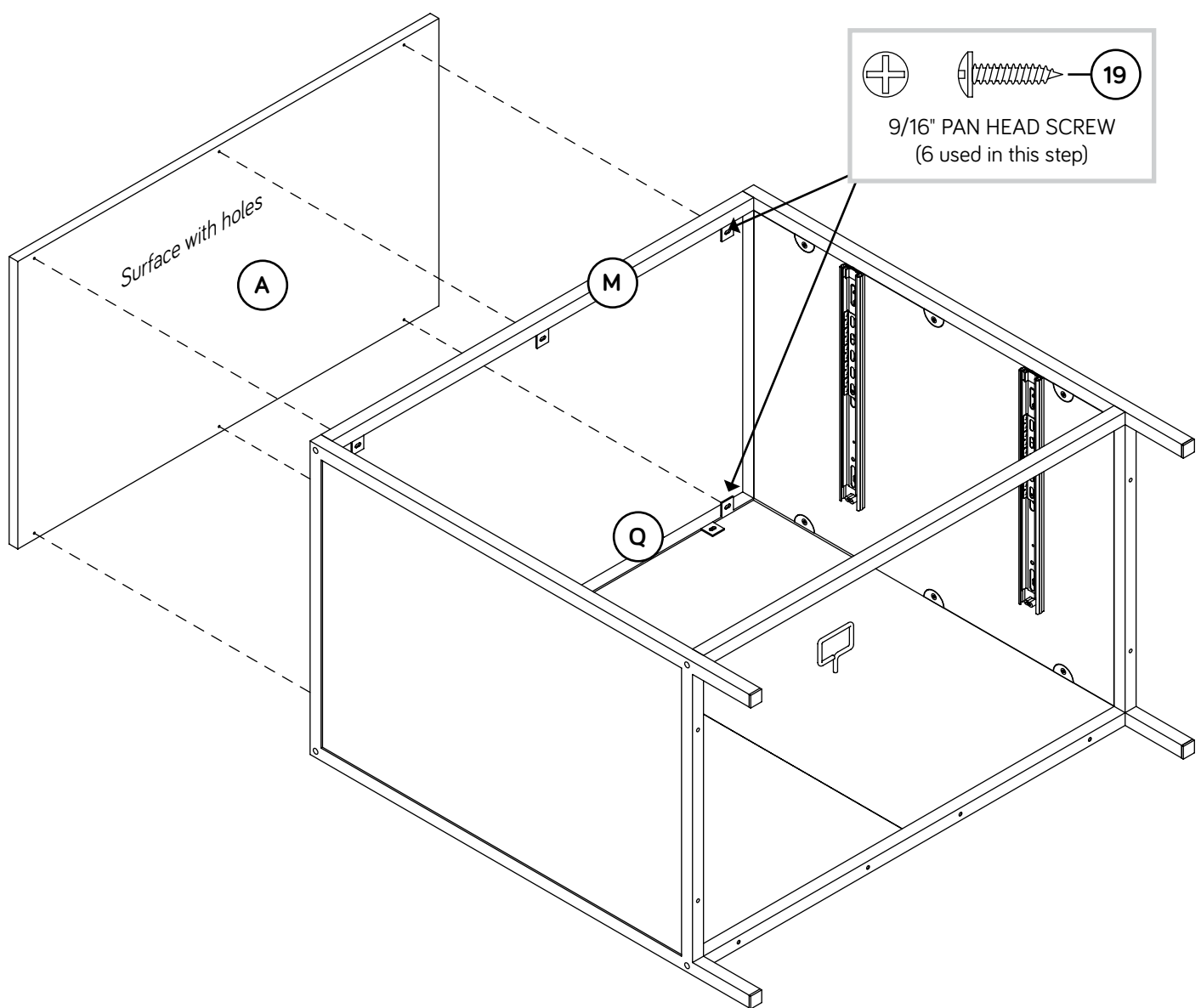
- Fasten the LOWER BACK BRACE (N) to the BACKS (D and E). Tighten four 1-3/4" HEX HEAD SCREWS (16) using the L-WRENCH (15).
- NOTE:** You should start each SCREW a few turns before completely tightening any of them.
- Fasten the UPPER BACK BRACE (Q) to the BACKS (D and E). Use four 9/16" PAN HEAD SCREWS (19).



Step 7

Fasten the TOP (A) to the UPPER BRACES (M and Q). Use six 9/16" PAN HEAD SCREWS (19).

NOTE: You should start each SCREW a few turns before completely tightening any of them.

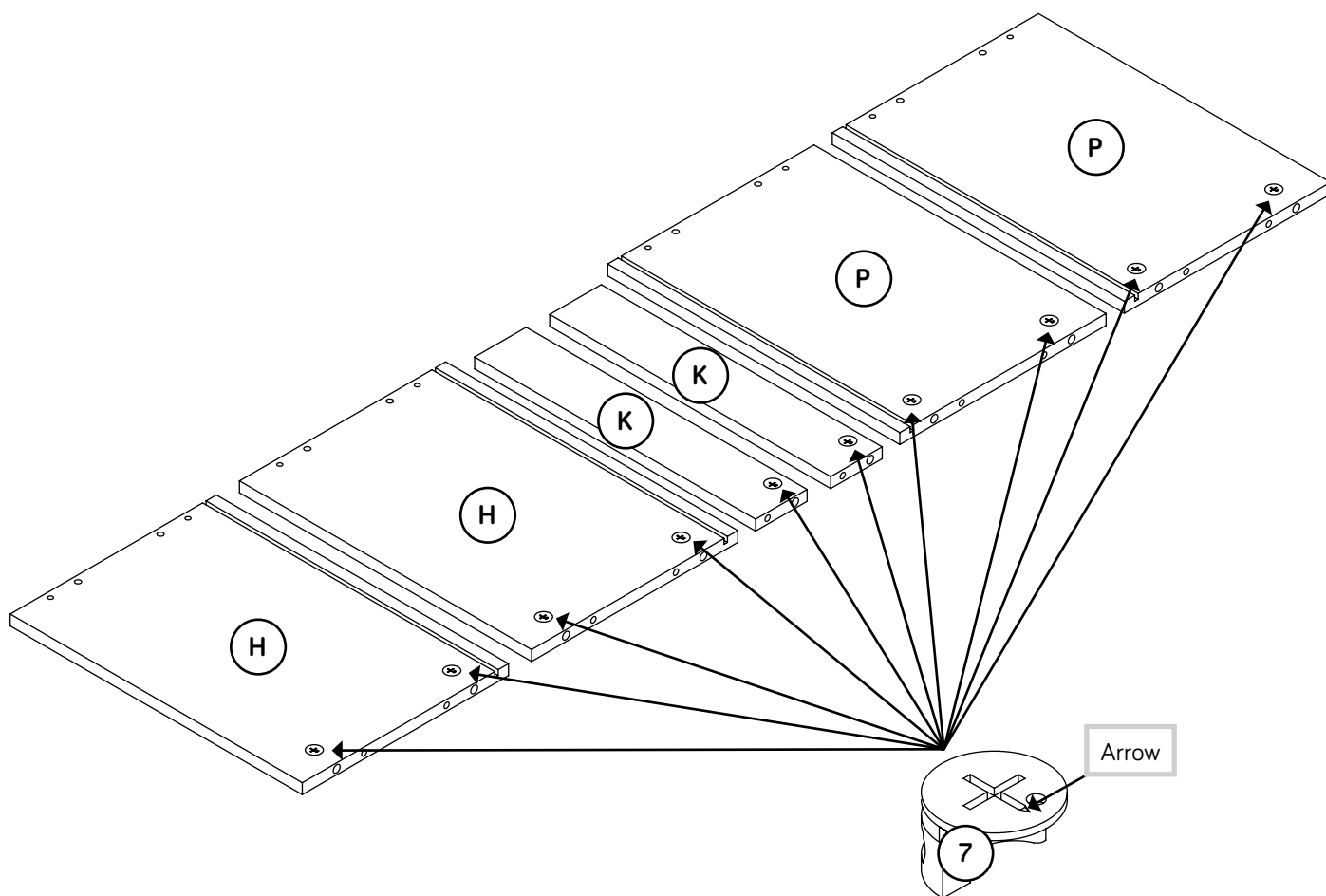


Step 8

- Push ten HIDDEN CAMS (7) into the DRAWER SIDES (H and P) and DRAWER BRACES (K).

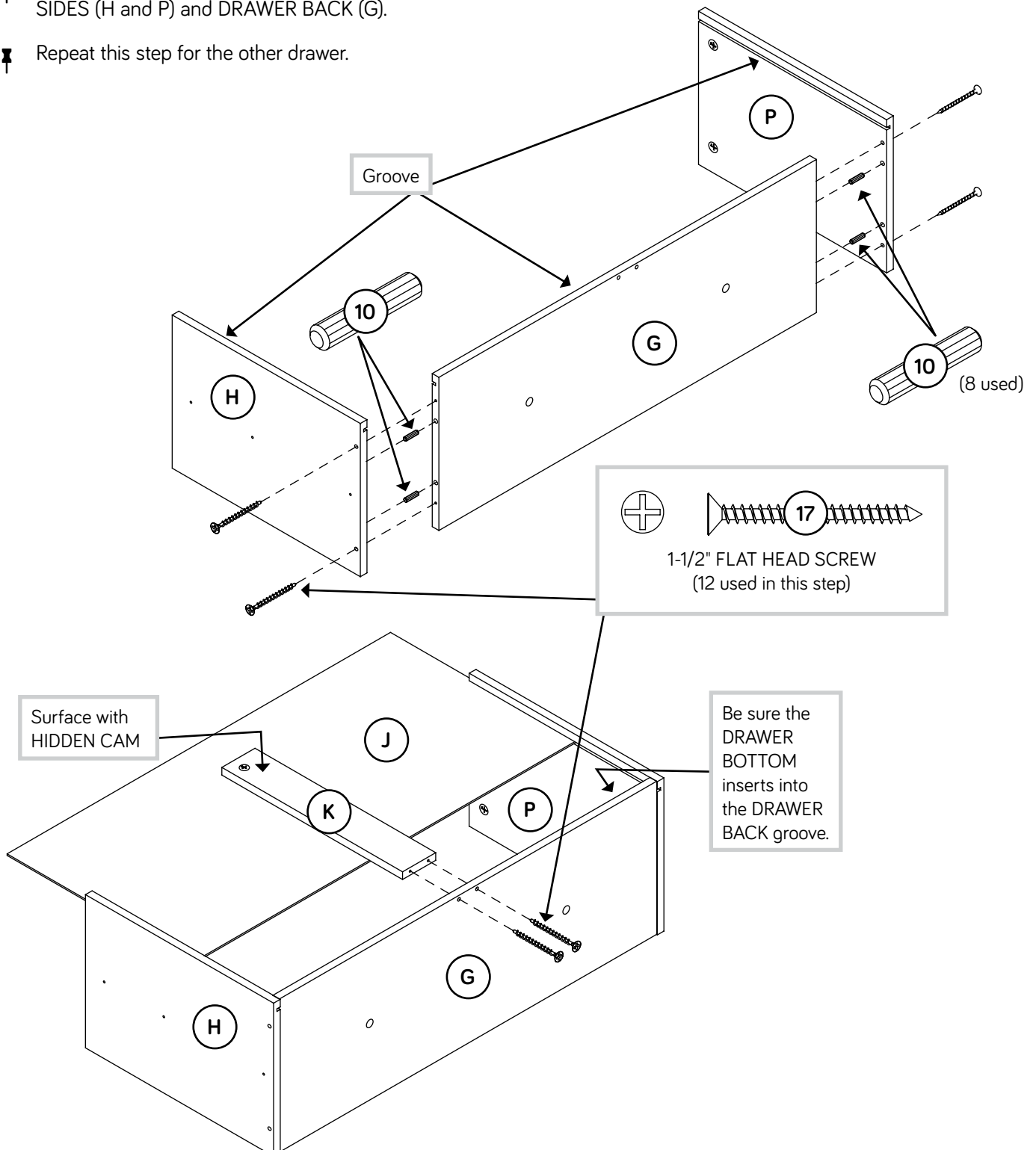


Now might be a good time to refresh your drink.



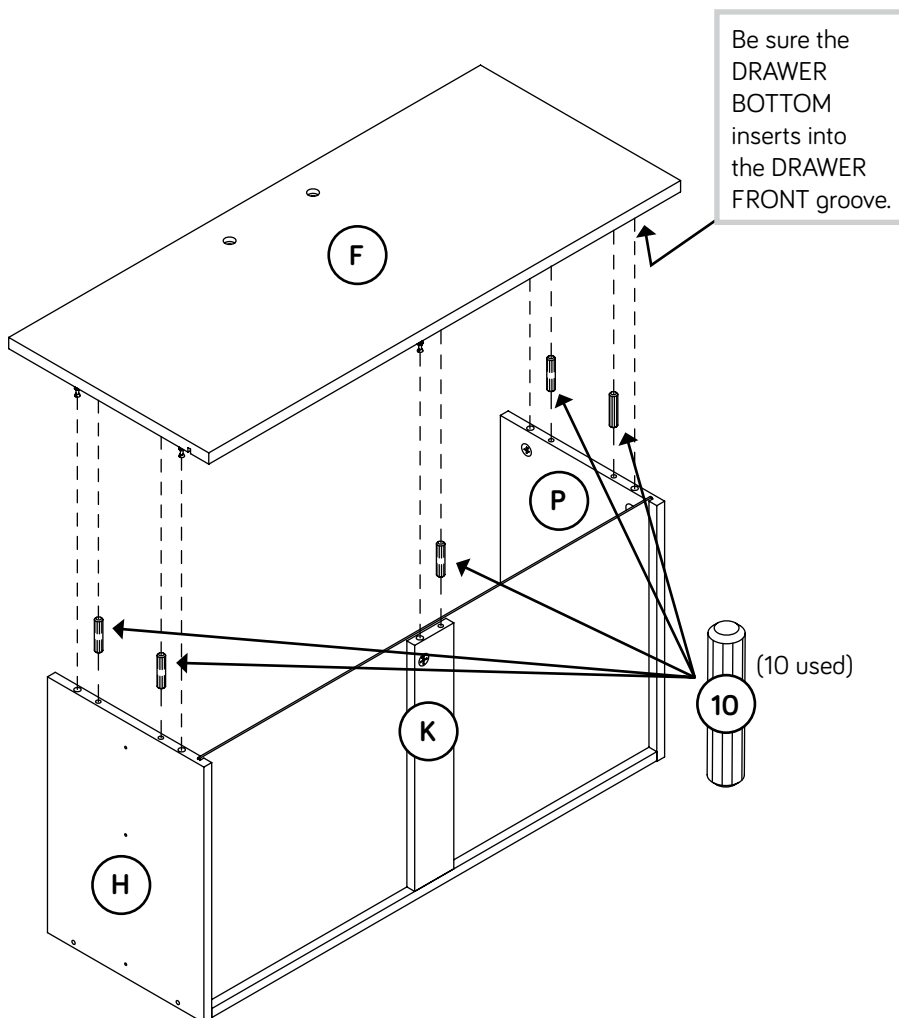
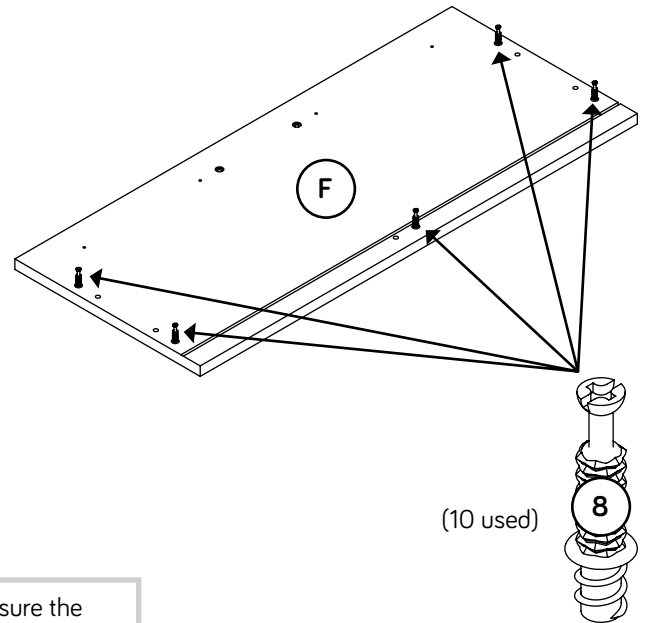
Step 9

- ✚ Insert four SMALL WOOD DOWELS (10) into the DRAWER BACK (G).
- ✚ Fasten the DRAWER SIDES (H and P) to the DRAWER BACK (G). Use four 1-1/2" FLAT HEAD SCREWS (17).
- ✚ Fasten the DRAWER BRACE (K) to the DRAWER BACK (G). Use two 1-1/2" FLAT HEAD SCREWS (17).
- ✚ Slide the DRAWER BOTTOM (J) into the grooves in the DRAWER SIDES (H and P) and DRAWER BACK (G).
- ✚ Repeat this step for the other drawer.



Step 10

- ✚ Turn five CAM SCREWS (8) into the DRAWER FRONT (F).
- ✚ Insert five SMALL WOOD DOWELS (10) into the DRAWER SIDES (H and P) and DRAWER BRACE (K).
- ✚ Fasten the DRAWER FRONT (F) to the DRAWER SIDES (H and P) and DRAWER BRACE (K). Tighten five HIDDEN CAMS.
- ✚ Repeat this step for the other drawer.

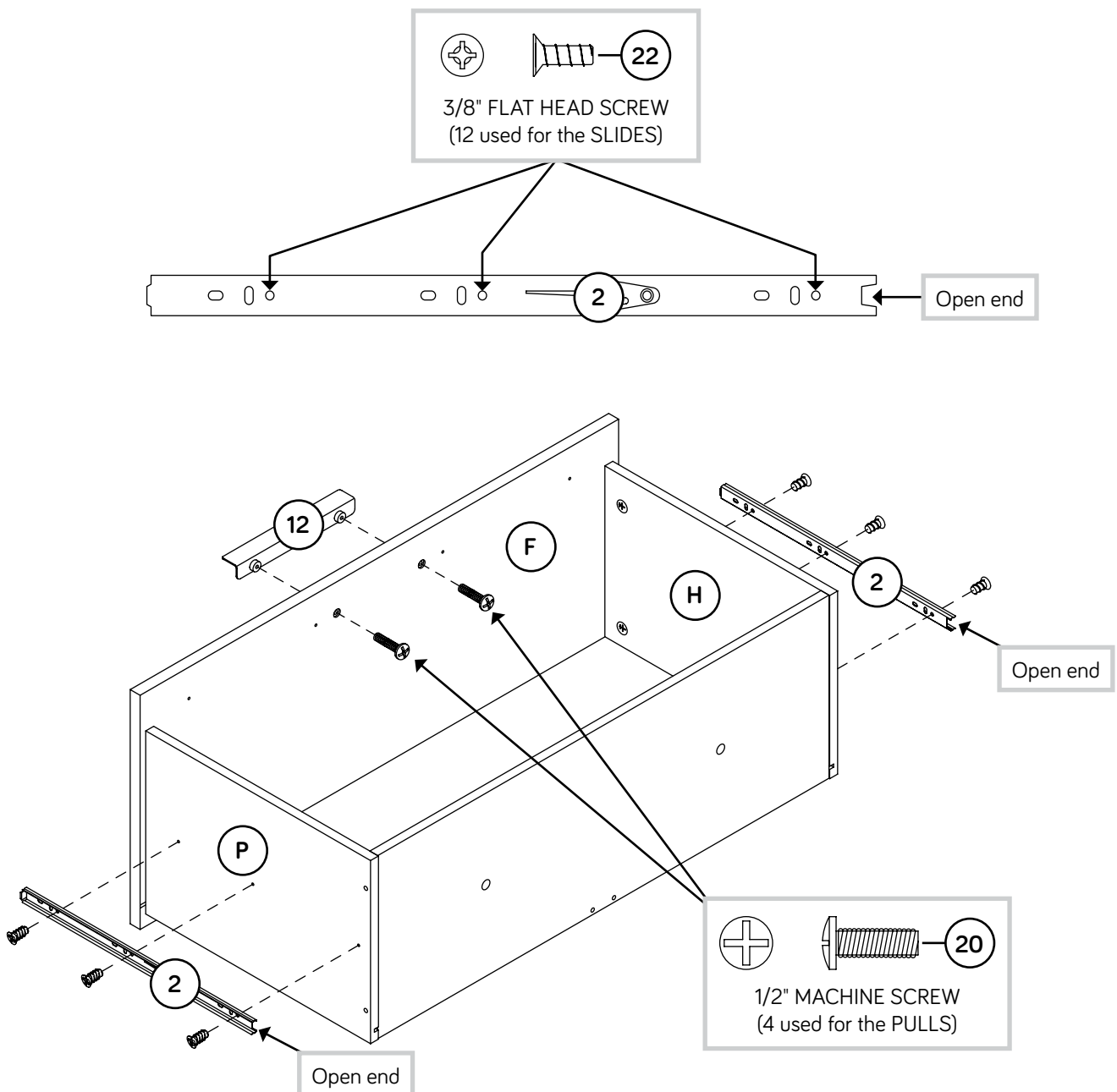


Step 11

Fasten two EXTENSION SLIDES (2) to the DRAWER SIDES (H and P). Use six 3/8" FLAT HEAD SCREWS (22) in the exact holes shown.

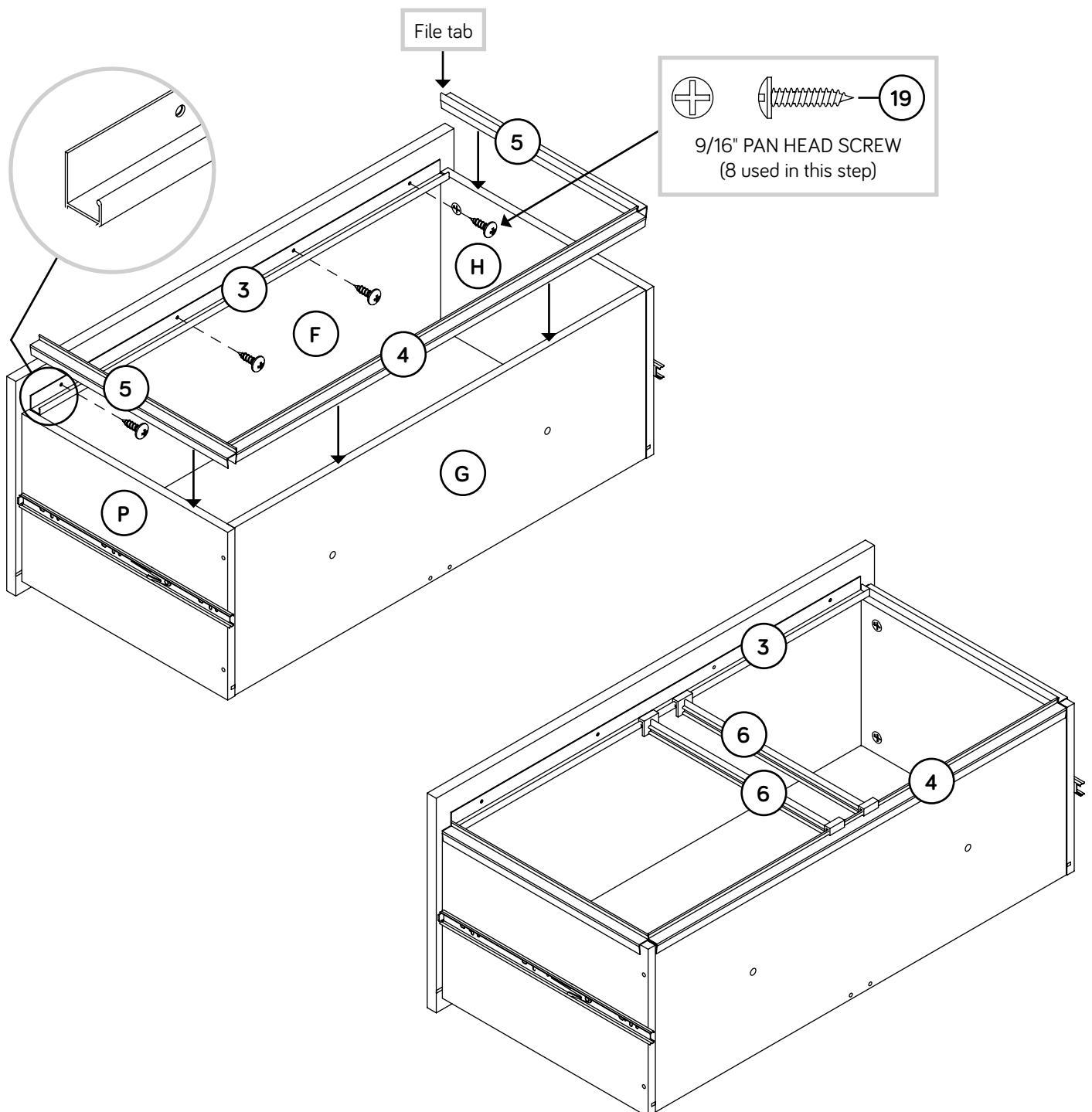
Fasten one PULL (12) to the DRAWER FRONT (F). Use two 1/2" MACHINE SCREWS (20).

Repeat this step for the other drawer.



Step 12

- Fasten one FRONT FILE GLIDE (3) to the DRAWER FRONT (F). Use four 9/16" PAN HEAD SCREWS (19).
- Press a LONG FILE GLIDE (4) onto the DRAWER BACK (G).
- NOTE:** The file tabs on the GLIDES should face each other.
- Press two SHORT FILE GLIDES (5) onto the DRAWER SIDES (H and P).
- Place two FILE HANGERS (6) onto the FILE GLIDES (3 and 4).
- Repeat this step for the other drawer.

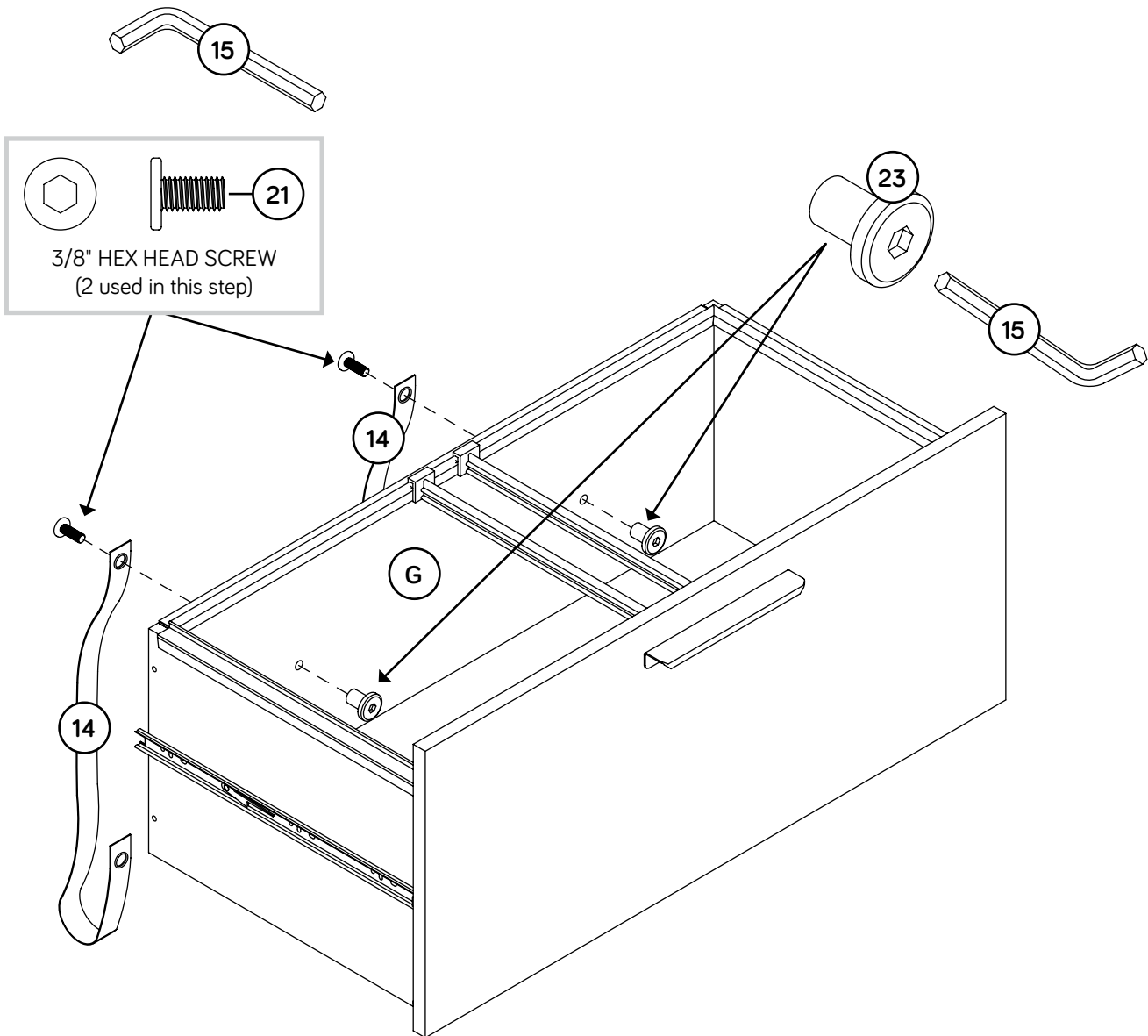


Step 13

Fasten the STRAPS (14) to the DRAWER BACK (G). From the back of the DRAWER, tighten two 3/8" HEX HEAD SCREWS (21) through the STRAPS (14), through the DRAWER BACK (G), and into the NUTS (23) using both L-WRENCHES (15).

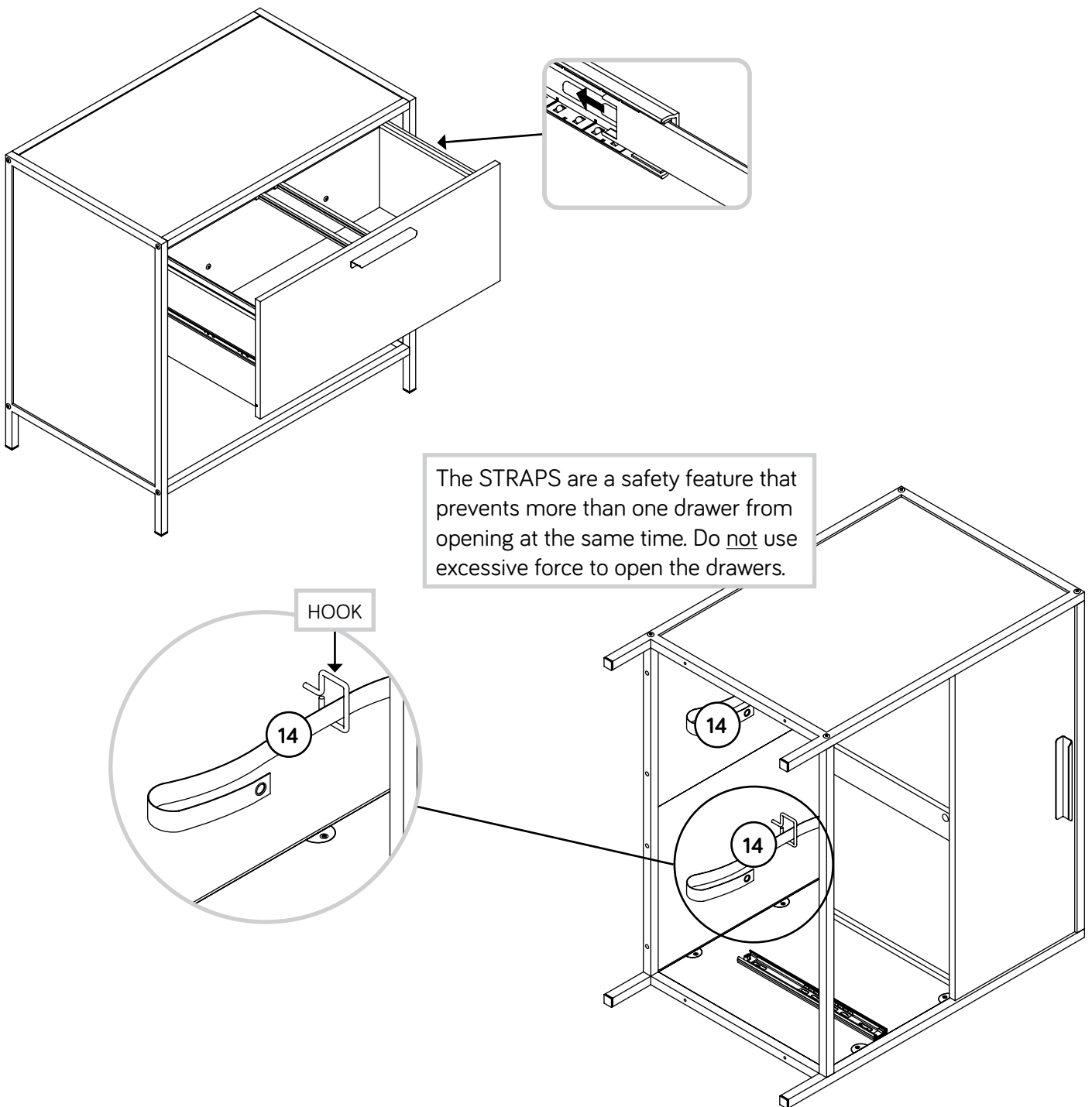


If you're doing this to help a friend, don't leave without a bite.



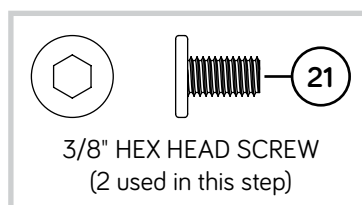
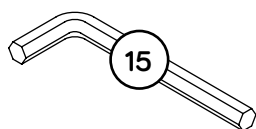
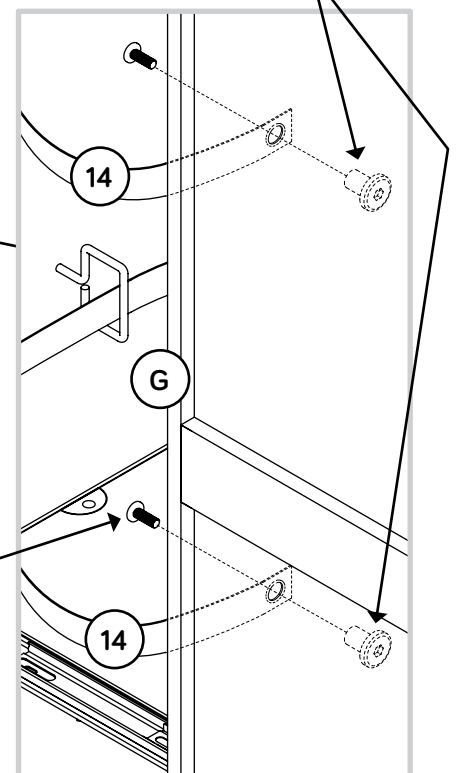
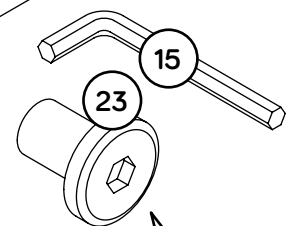
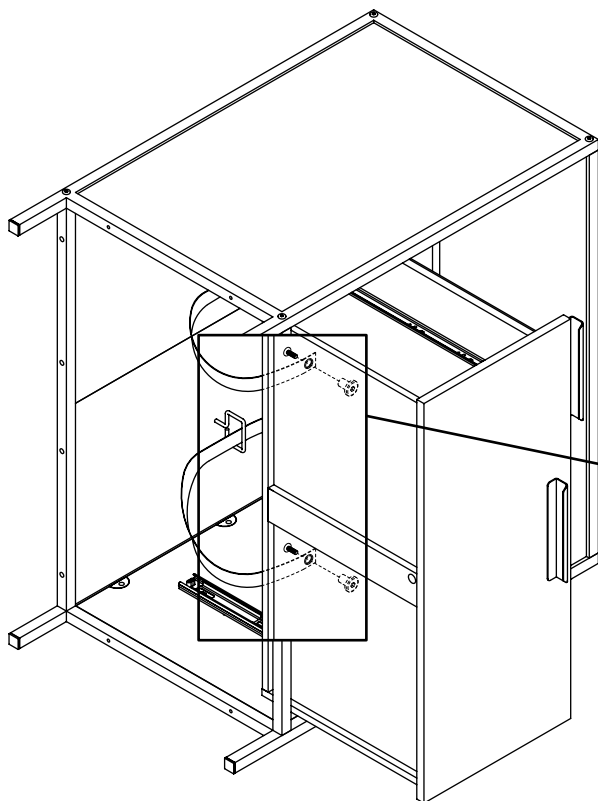
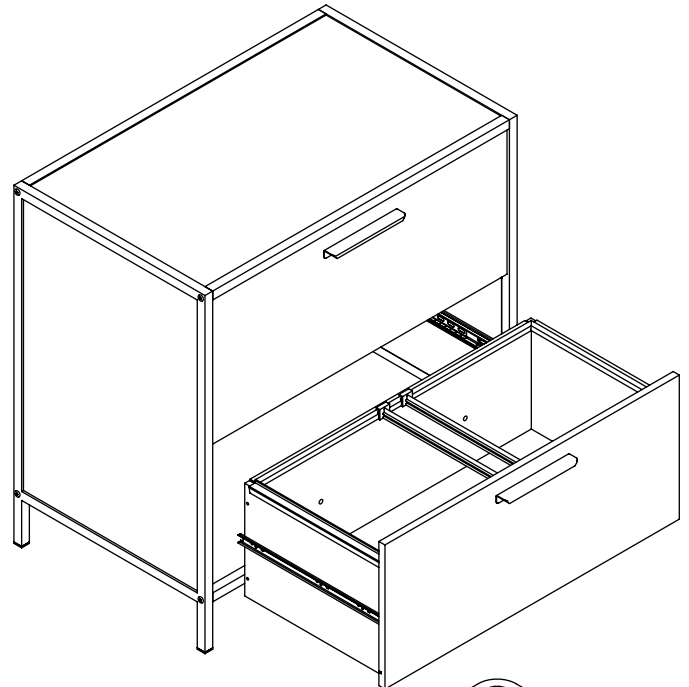
Step 14

- ✚ Carefully stand your unit upright.
- ✚ To insert the upper DRAWER with the STRAPS into your unit, line up the EXTENSION SLIDES on the drawer with the EXTENSION RAILS on the unit and push the drawer into the unit until the drawer is fully inserted. The drawer will push in hard until it is all the way in, then it will slide in and out easier.
- ✚ Feed the STRAPS (14) through the HOOKS as shown.
- ✚ NOTE: You may need to carefully lay your unit down.



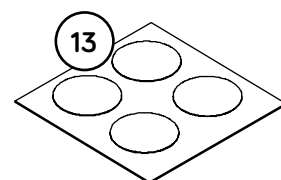
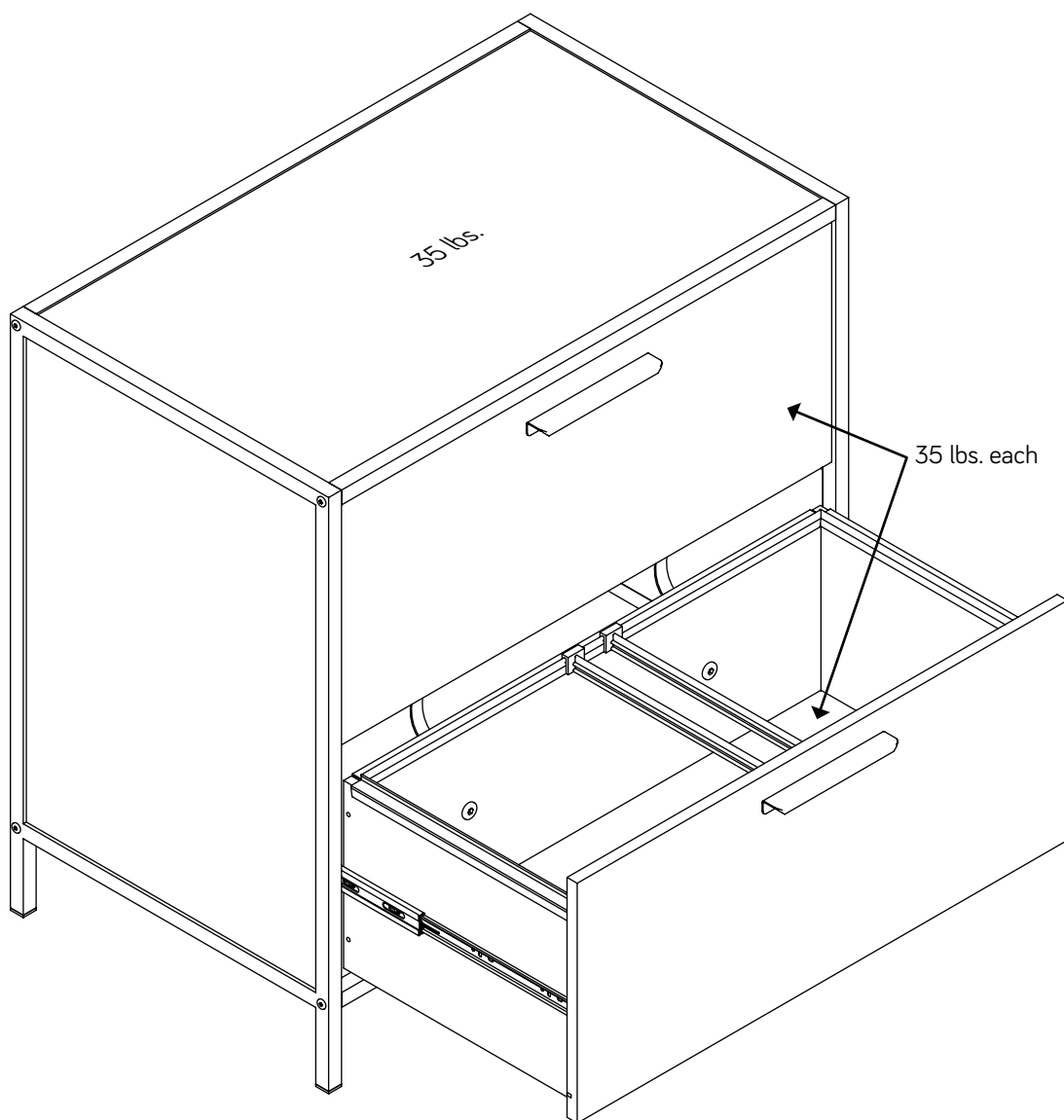
Step 15

- ✚ To insert the lower DRAWER into your unit, line up the EXTENSION SLIDES on the drawer with the EXTENSION RAILS on the unit and push the drawer into the unit until the drawer is fully inserted. The drawer will push in hard until it is all the way in, then it will slide in and out easier.
- ✚ Carefully lay your unit onto its side.
- ✚ **NOTE:** Be sure the STRAPS are through the HOOKS.
- ✚ Fasten both STRAPS (14) to the lower DRAWER BACK (G). From the back of the DRAWER, tighten two 3/8" HEX HEAD SCREWS (21) through the STRAPS (14), through the DRAWER BACK (G), and into the NUTS (23) using both L-WRENCHES (15).



Step 16

- ✂ Carefully stand your unit upright.
- ✂ Peel APPLIQUES from the APPLIQUE CARDS (13) and stick them onto each visible HIDDEN CAM.
- ✂ NOTE: Please read the back pages of the instruction booklet for important safety information.
- ✂ This completes assembly. Clean with a damp cloth. Wipe dry.



To cover HIDDEN CAMS

CAUTION

Please use your furniture correctly and safely. Improper use can cause safety hazards, or damage to your furniture or household items. Carefully read the following chart.

Look out for:	What can happen:	How to avoid the problem:
<ul style="list-style-type: none">Overloaded drawers.	<ul style="list-style-type: none">Risk of injury.Top-heavy furniture can tip over.Overloaded drawers can break.	<ul style="list-style-type: none">Never exceed the weight limits shown in the instructions.Work from bottom to top when loading drawers. Place the heavier items in the lower drawer.
<ul style="list-style-type: none">Improperly moving furniture.	<ul style="list-style-type: none">Furniture can tip over or break if improperly moved.Physical injury. Furniture can be very heavy.	<ul style="list-style-type: none">Unload drawers from top to bottom before moving the lateral file.Do not push furniture, especially on a carpeted floor. Have a friend help you lift the item and set it in place.
<ul style="list-style-type: none">Placing TVs on furniture items that are not designed to support a television is hazardous.	<ul style="list-style-type: none">Risk of injury or death. TVs can be very heavy. Plus the weight and location of the picture tube tends to make TVs unbalanced and prone to tipping forward.	<ul style="list-style-type: none">This product is not designed to support a television.