

Smart **stand**
for the idiot box.

Barrister Home Corner TV Stand

Barrister Home Collection | **5414729**

Need help? Visit Sauder.com to view video assembly tips or chat with a live rep.
Prefer the phone? Call 1-800-523-3987.

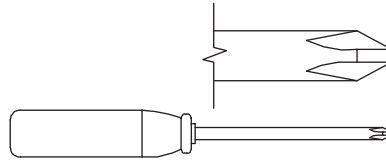
NOTE: THIS INSTRUCTION
BOOKLET CONTAINS **IMPORTANT**
SAFETY INFORMATION.

PLEASE READ AND KEEP FOR
FUTURE REFERENCE.

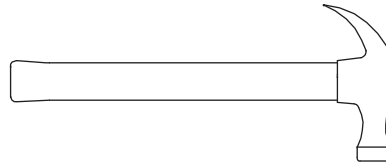
Table of Contents

Assembly Tools Required

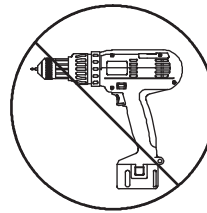
Part Identification	3
Hardware Identification	4
Assembly Steps	5-24



No. 2 Phillips Screwdriver
Tip Shown Actual Size



Hammer
Not actual size 😊

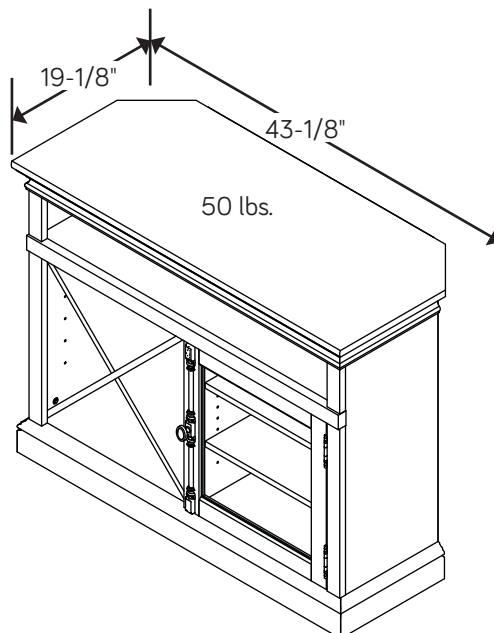


Skip the power trip.
This time.

⚠️ WARNING

Use of a TV that is too heavy or large is hazardous. A TV that is too heavy will create a risk of a tip-over that can cause severe injury or death. A TV that is too large for the available space might be accidentally pushed or bumped off the furniture, or subject to tip-over.

- Check the size and weight of your TV. Compare it to the diagram below – **before you begin assembly!**
- This Sauder unit is designed for use with televisions weighing less than 50 pounds. **Never** use with a TV that weighs more.
- The size of the television, front-to-back and side-to-side, must fit within the space defined in the diagram.
 - **Never** place the front edge of the TV past the front edge of the TV support shelf (or stop molding – if equipped)
 - **Never** allow the sides of the TV to extend past the side edges of the TV support surface.
 - If the TV has a CRT picture tube, the picture tube cone may extend past the rear of the support shelf.
- Be sure to apply the warning label as instructed in the last assembly step. The label provides important safety related information.



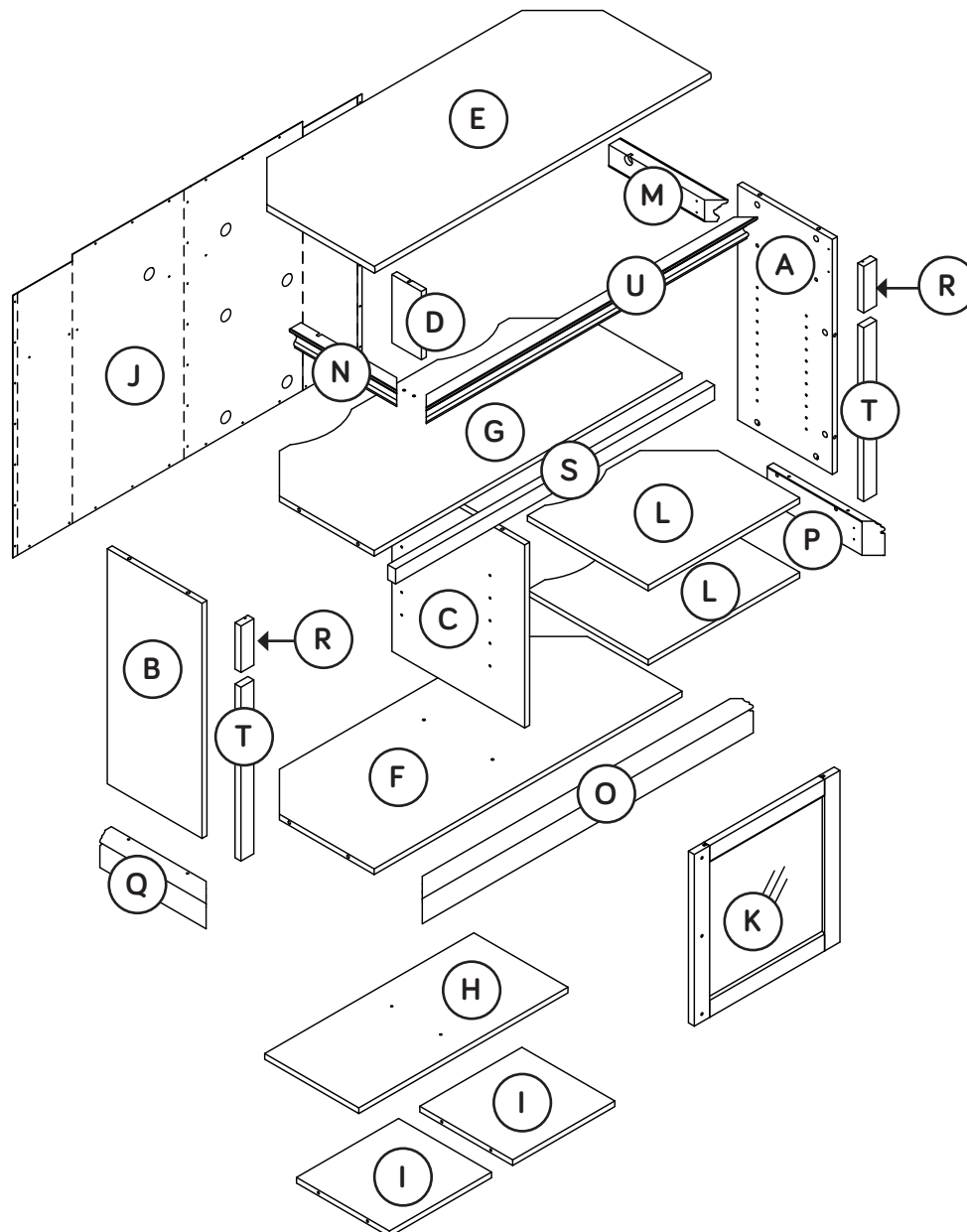
Part Identification

Now you know
our ABCs.



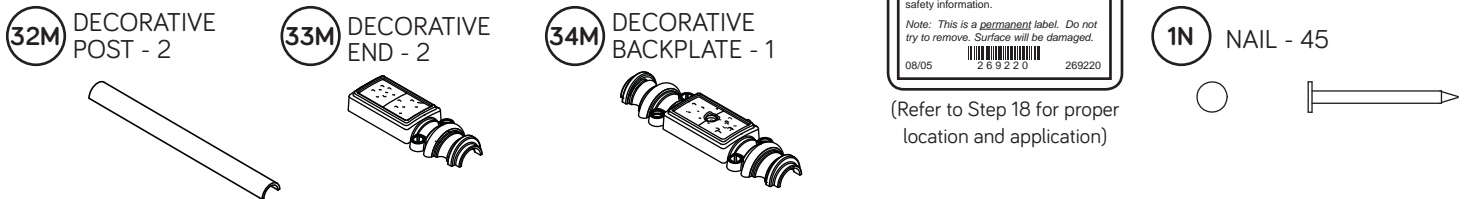
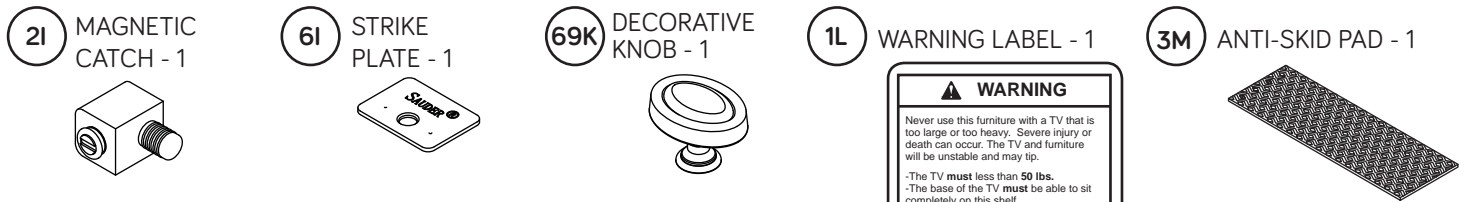
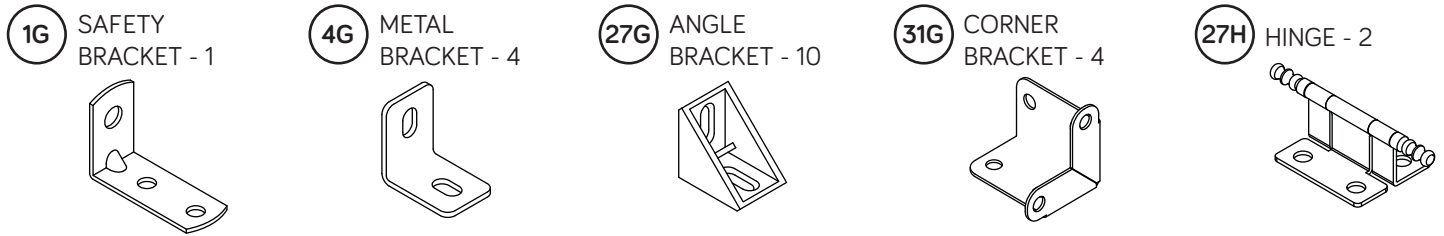
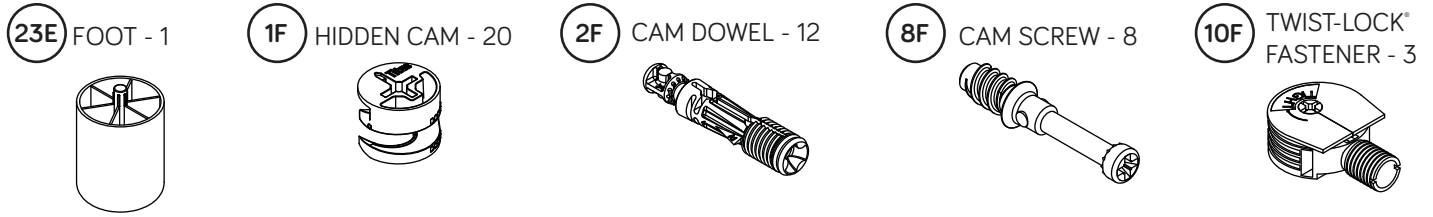
⚠ While not all parts are labeled, some of the parts will have a label or an inked letter on the edge to help distinguish similar parts from each other. Use this part identification to help identify similar parts.

A	RIGHT END (1)	H	CROSS SHELF (1)	O	BASE (1)
B	LEFT END (1)	I	SMALL CROSS SHELF (2)	P	RIGHT BASE (1)
C	UPRIGHT (1)	J	BACK (1)	Q	LEFT BASE (1)
D	SMALL UPRIGHT (1)	K	DOOR (1)	R	SMALL END MOLDING (2)
E	TOP (1)	L	ADJUSTABLE SHELF (2)	S	SHELF MOLDING (1)
F	BOTTOM (1)	M	RIGHT MOLDING (1)	T	END MOLDING (2)
G	SHELF (1)	N	LEFT MOLDING (1)	U	FRONT MOLDING (1)



Hardware Identification

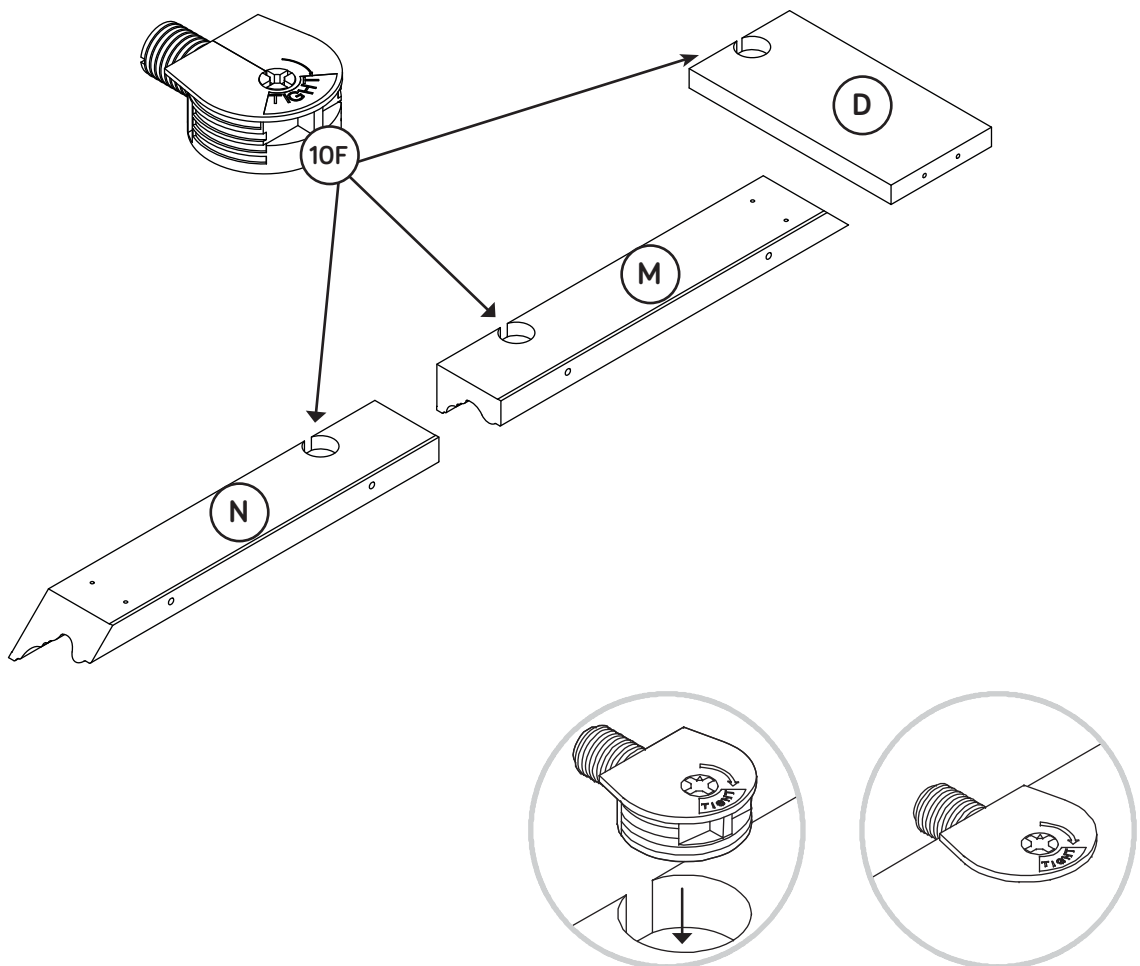
↑ Screws are shown actual size. You may receive extra hardware with your unit.



Step 1

- ✦ Assemble your unit on a carpeted floor or on the empty carton to avoid scratching your unit or the floor.
- ✦ To begin assembly, push a SAUDER TWIST-LOCK® FASTENER (10F) into the large holes in the MOLDINGS (M and N) and SMALL UPRIGHT (D).

Do not tighten the TWIST-LOCK® FASTENERS in this step.



Step 3

Fasten ten ANGLE BRACKETS (27G) to the ENDS (A and B) and SHELF (G). Use ten BLACK 9/16" LARGE HEAD SCREWS (1S).

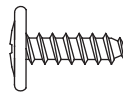
NOTE: Be sure the edges of the ANGLE BRACKETS are even with the edges of the ENDS and SHELF.

Fasten the SMALL END MOLDINGS (R) to the ENDS (A and B). Use four BLACK 9/16" LARGE HEAD SCREWS (1S).

NOTE: The SMALL END MOLDINGS do not have holes. Turn the screws into the grooves of the MOLDINGS. Do not over tighten.



Some assembly
(and snacks) required.

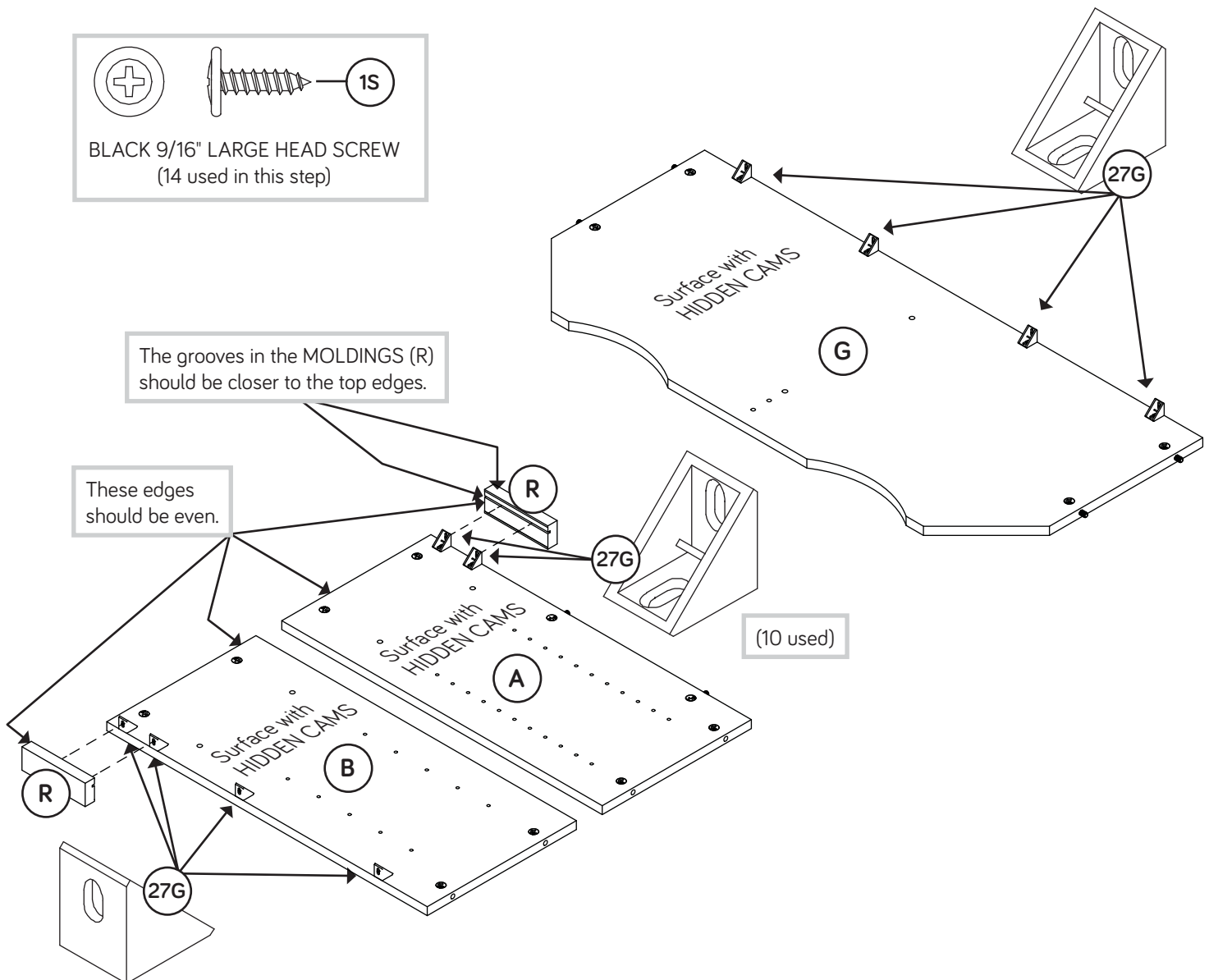


1S

BLACK 9/16" LARGE HEAD SCREW
(14 used in this step)

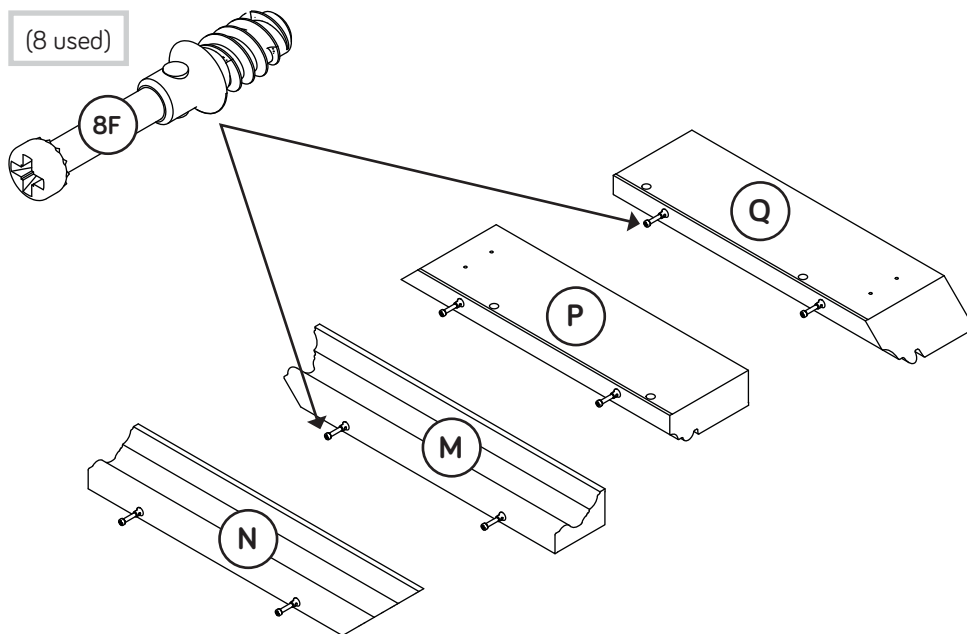
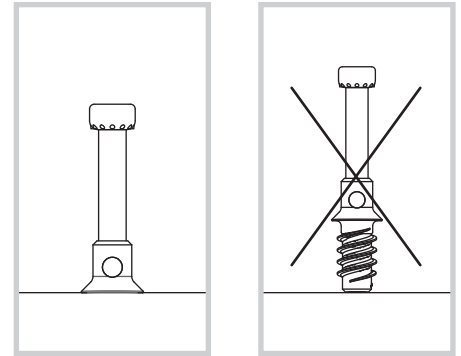
The grooves in the MOLDINGS (R)
should be closer to the top edges.

These edges
should be even.



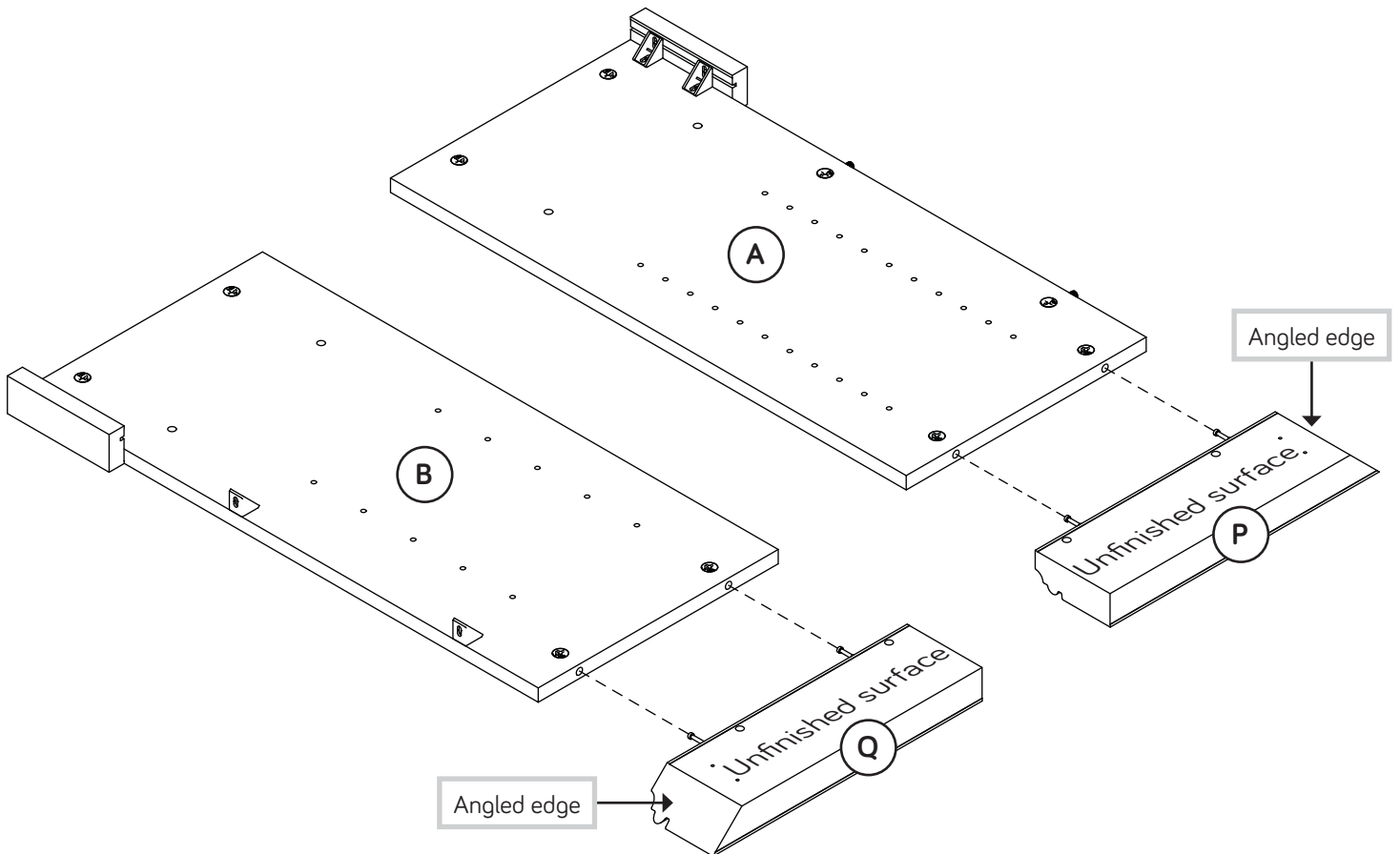
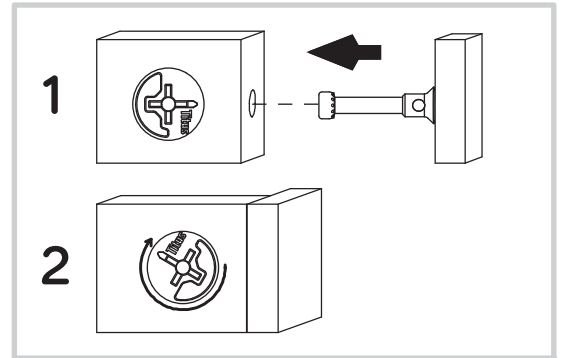
Step 4

- Turn eight CAM SCREWS (8F) into the MOLDINGS (M and N) and BASES (P and Q).



Step 5

- Fasten the RIGHT BASE (P) to the RIGHT END (A). Tighten two HIDDEN CAMS.
- Fasten the LEFT BASE (Q) to the LEFT END (B). Tighten two HIDDEN CAMS.



Step 6

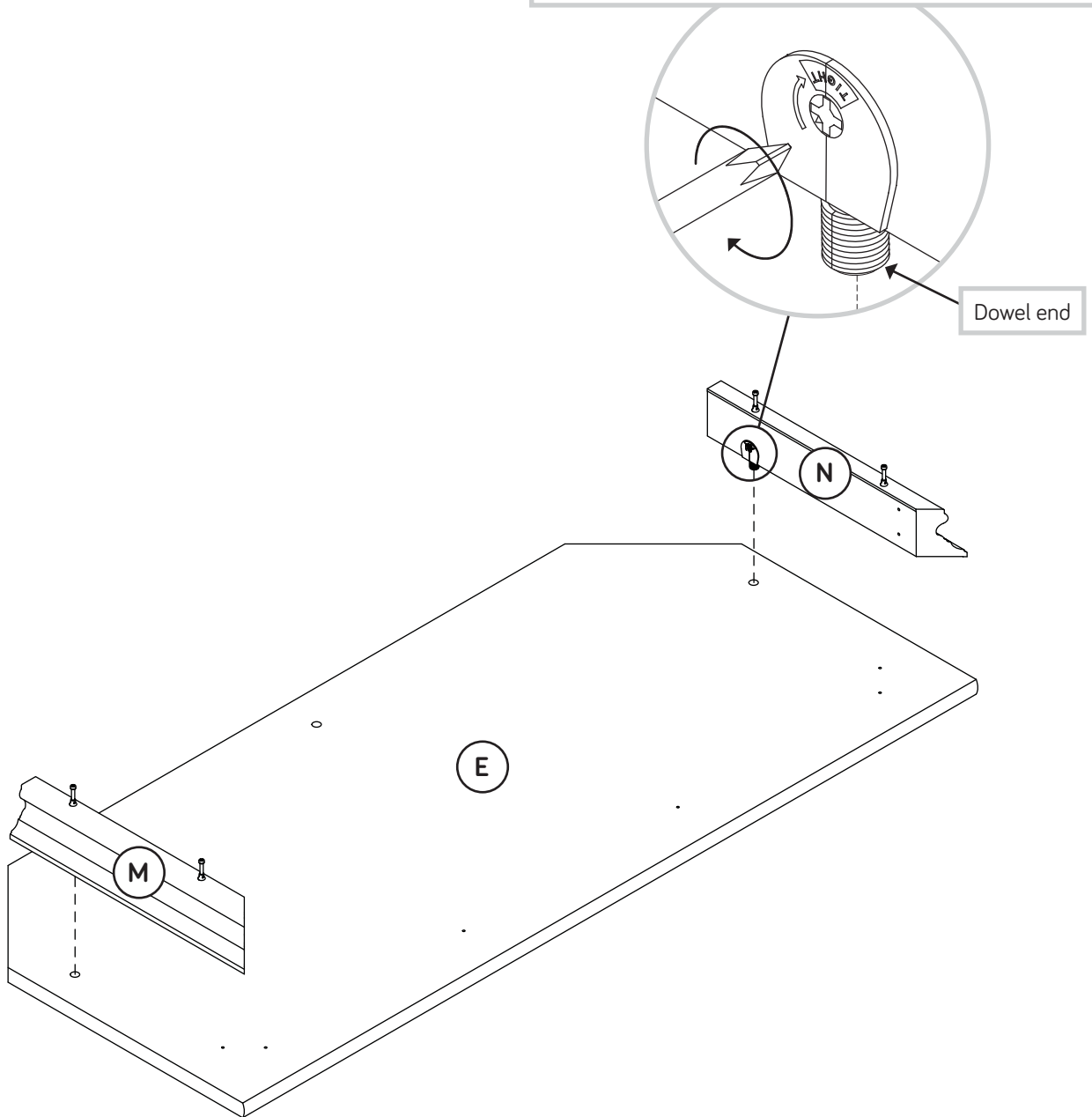
- Fasten the MOLDINGS (M and N) to the TOP (E). Tighten two TWIST-LOCK® FASTENERS.

How to use the SAUDER TWIST-LOCK® FASTENER

1. Insert the dowel end of the FASTENER into the hole of the adjoining part.

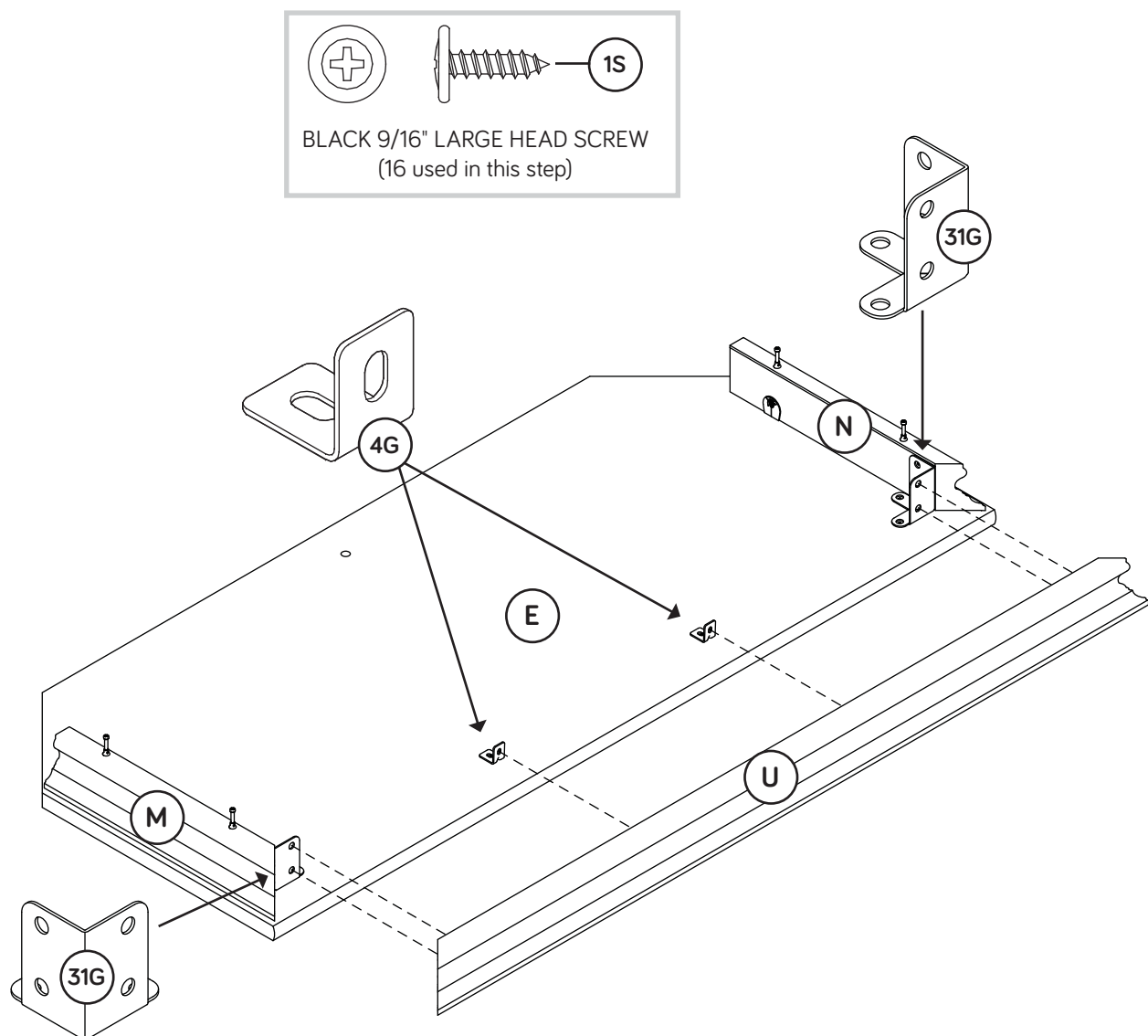
NOTE: The dowel end of the FASTENER must remain fully inserted in the hole of the adjoining part while locking the FASTENER.

2. Tighten the FASTENER with a Phillips screwdriver as tight as possible.



Step 7

- Fasten two CORNER BRACKETS (31G) to the MOLDINGS (M and N) and TOP (E). Use eight BLACK 9/16" LARGE HEAD SCREWS (1S).
- Fasten two METAL BRACKETS (4G) to the TOP (E). Use two BLACK 9/16" LARGE HEAD SCREWS (1S).
- Fasten the FRONT MOLDING (U) to the CORNER BRACKETS (31G) and METAL BRACKETS (4G). Use six BLACK 9/16" LARGE HEAD SCREWS (1S).

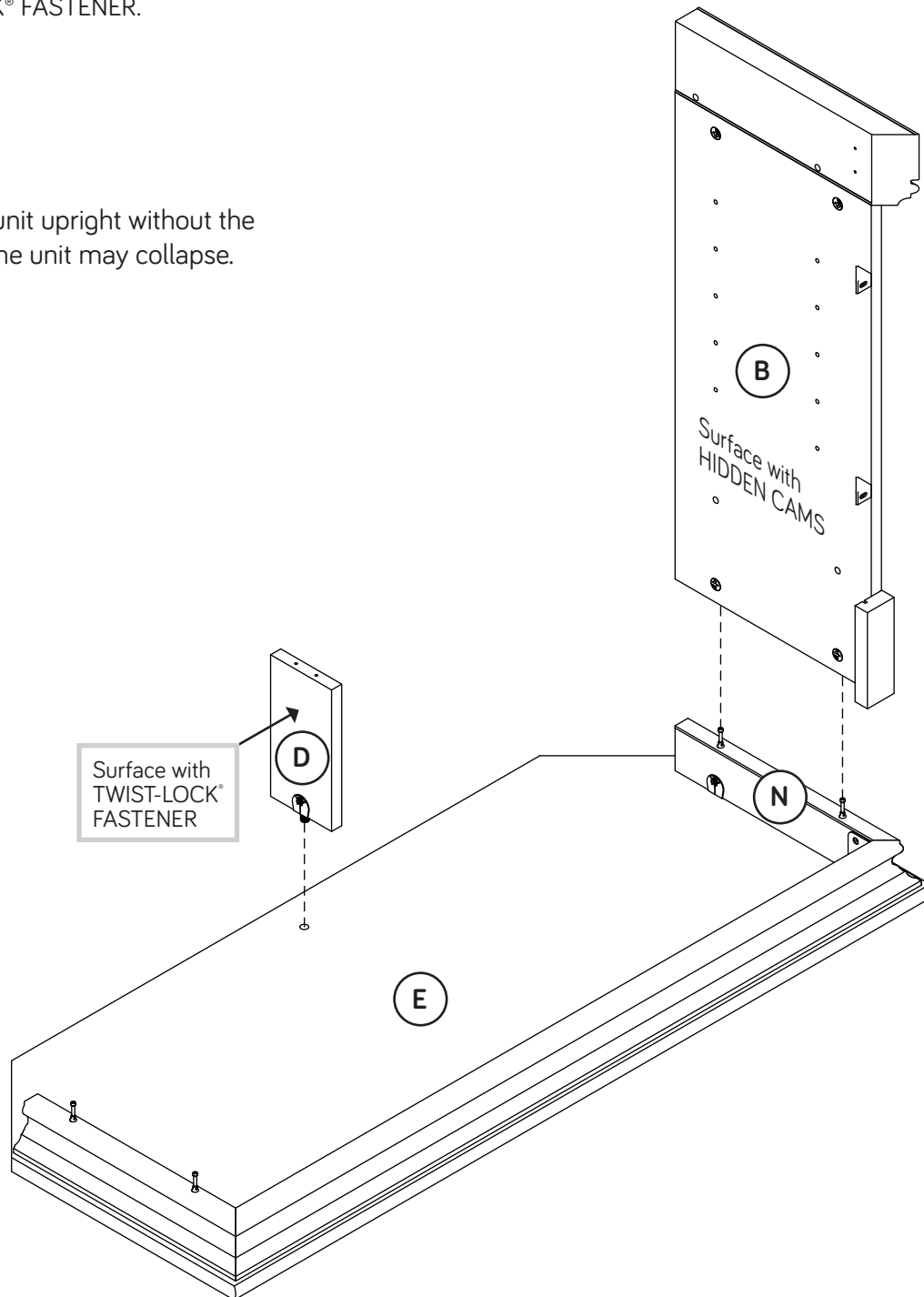


Step 8

- Fasten the LEFT END (B) to the LEFT MOLDING (N). Tighten two HIDDEN CAMS.
- Fasten the SMALL UPRIGHT (D) to the TOP (E). Tighten the TWIST-LOCK® FASTENER.

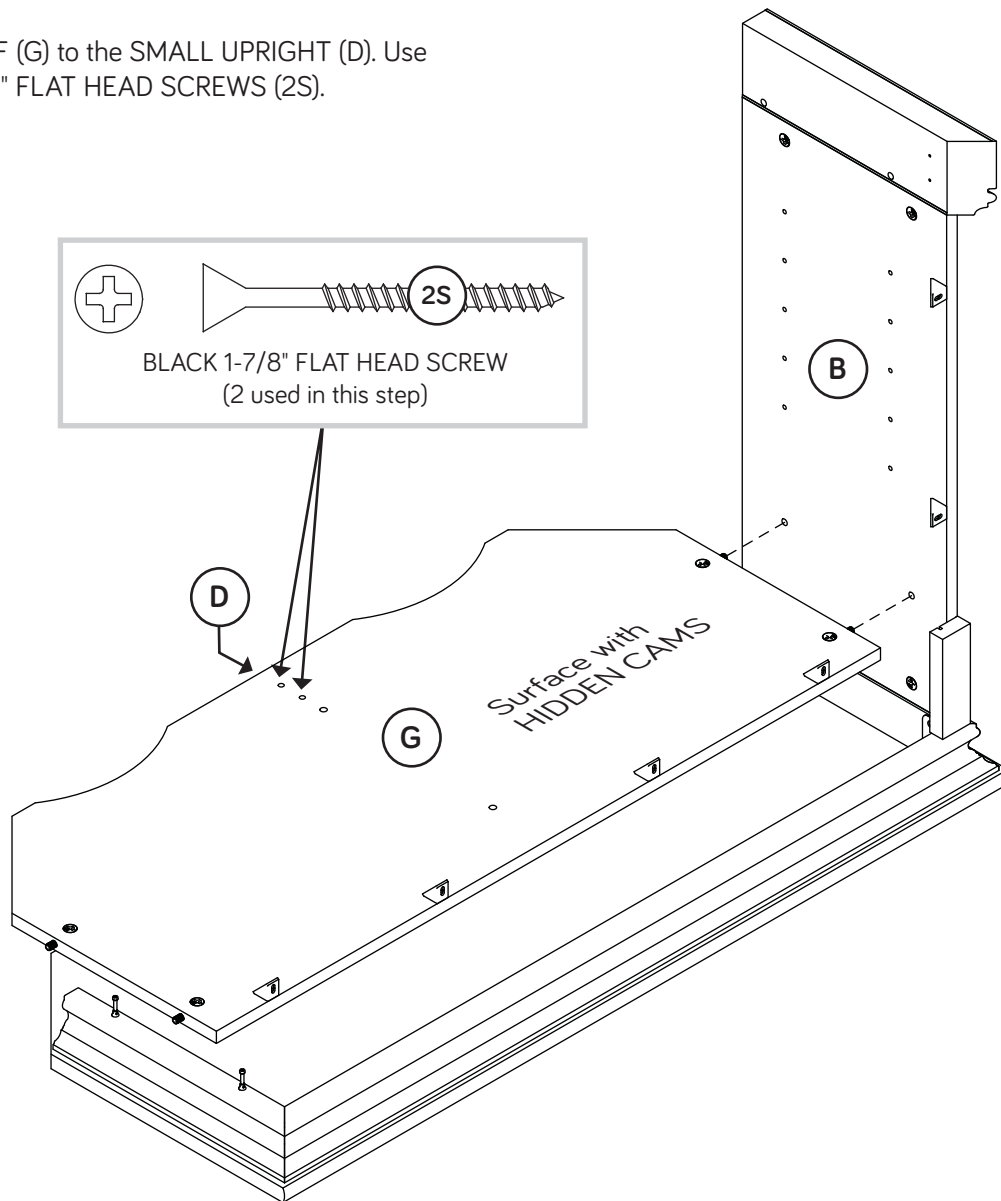
Caution

Do not stand the unit upright without the BACK fastened. The unit may collapse.



Step 9

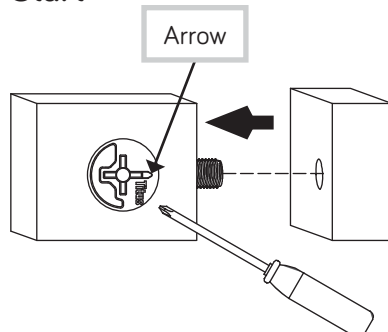
- Fasten the SHELF (G) to the LEFT END (B). Tighten two HIDDEN CAMS.
- Fasten the SHELF (G) to the SMALL UPRIGHT (D). Use two BLACK 1-7/8" FLAT HEAD SCREWS (2S).



⚠ Caution

Risk of damage or injury. HIDDEN CAMS must be completely tightened. HIDDEN CAMS that are not completely tightened may loosen, and parts may separate. To completely tighten:

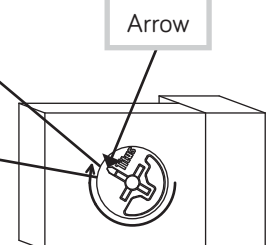
Start



Tighten

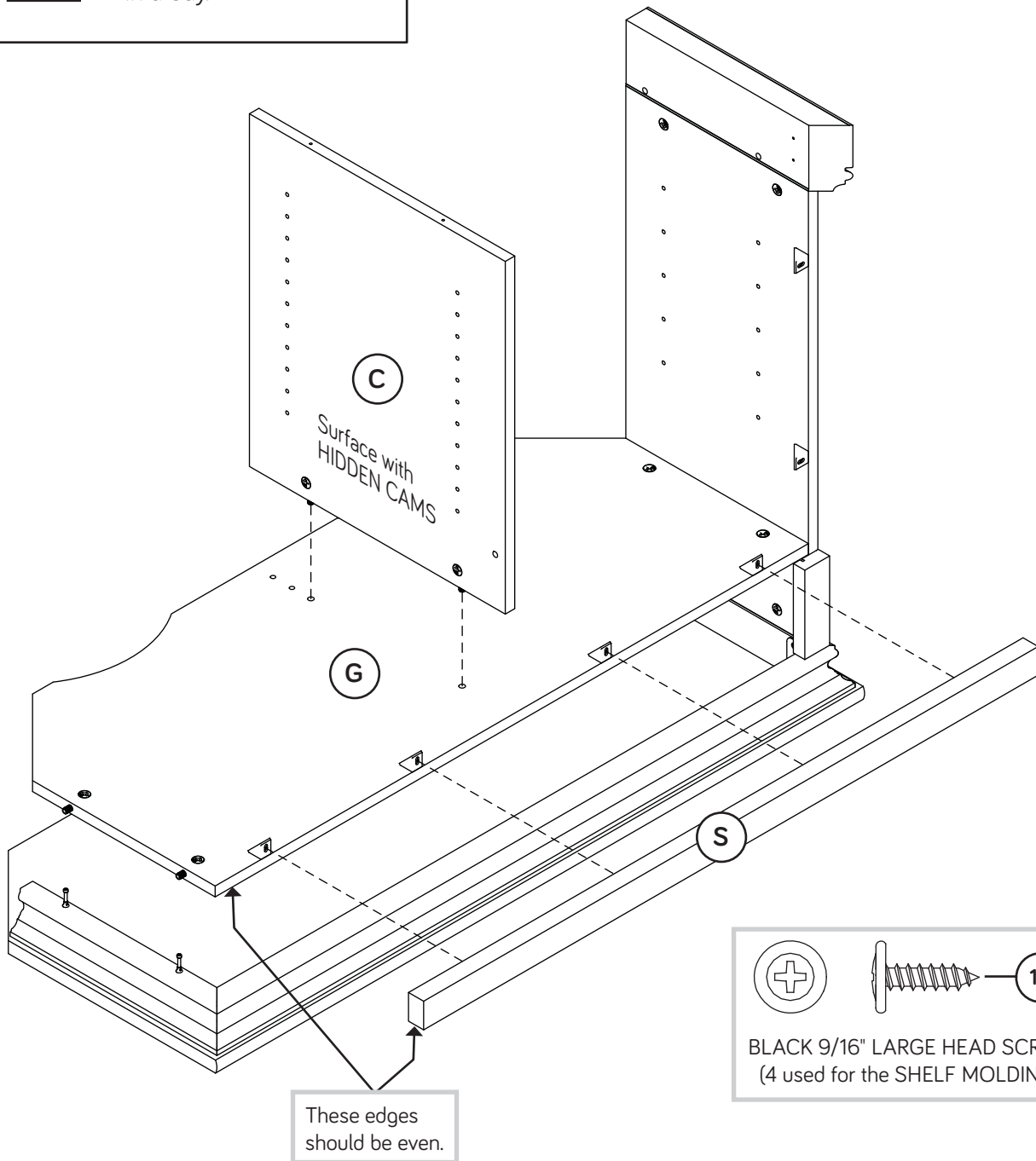
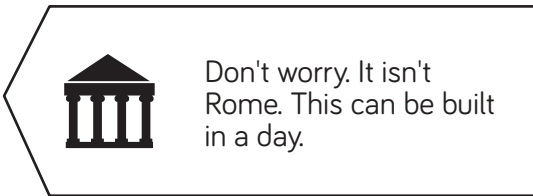
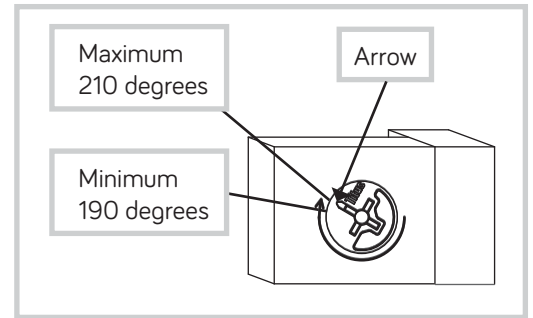
Maximum 210 degrees

Minimum 190 degrees



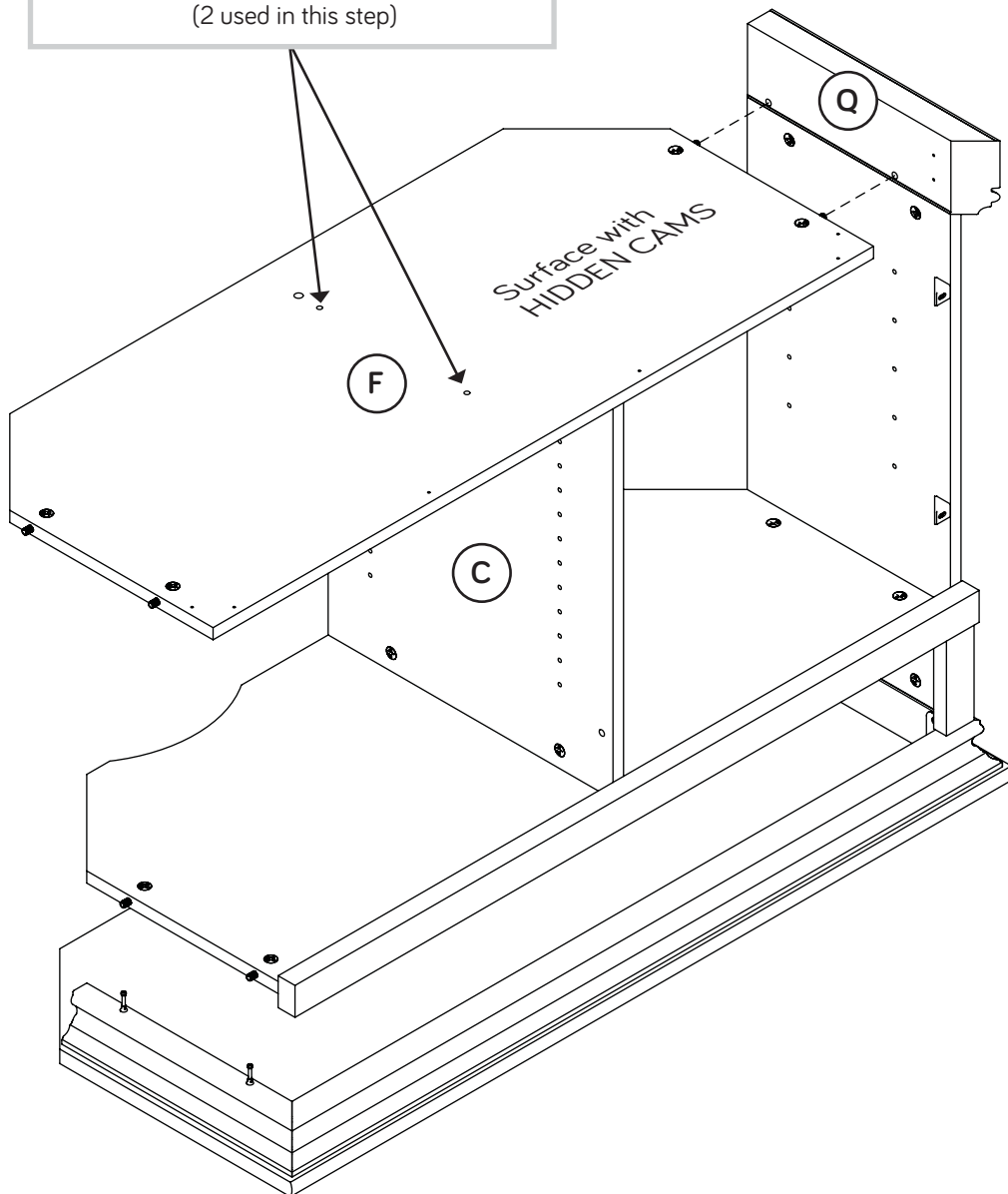
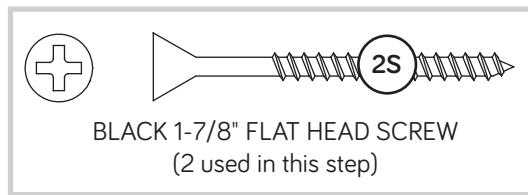
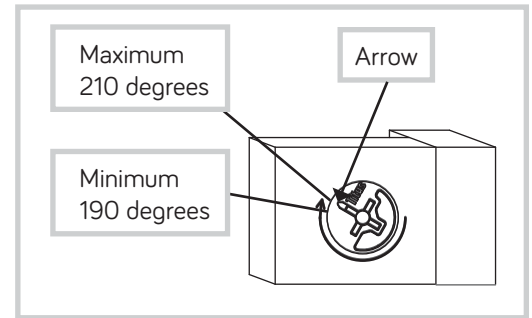
Step 10

- Fasten the UPRIGHT (C) to the SHELF (G). Tighten two HIDDEN CAMS.
- Fasten the SHELF MOLDING (S) to the SHELF (G). Use four BLACK 9/16" LARGE HEAD SCREWS (1S).



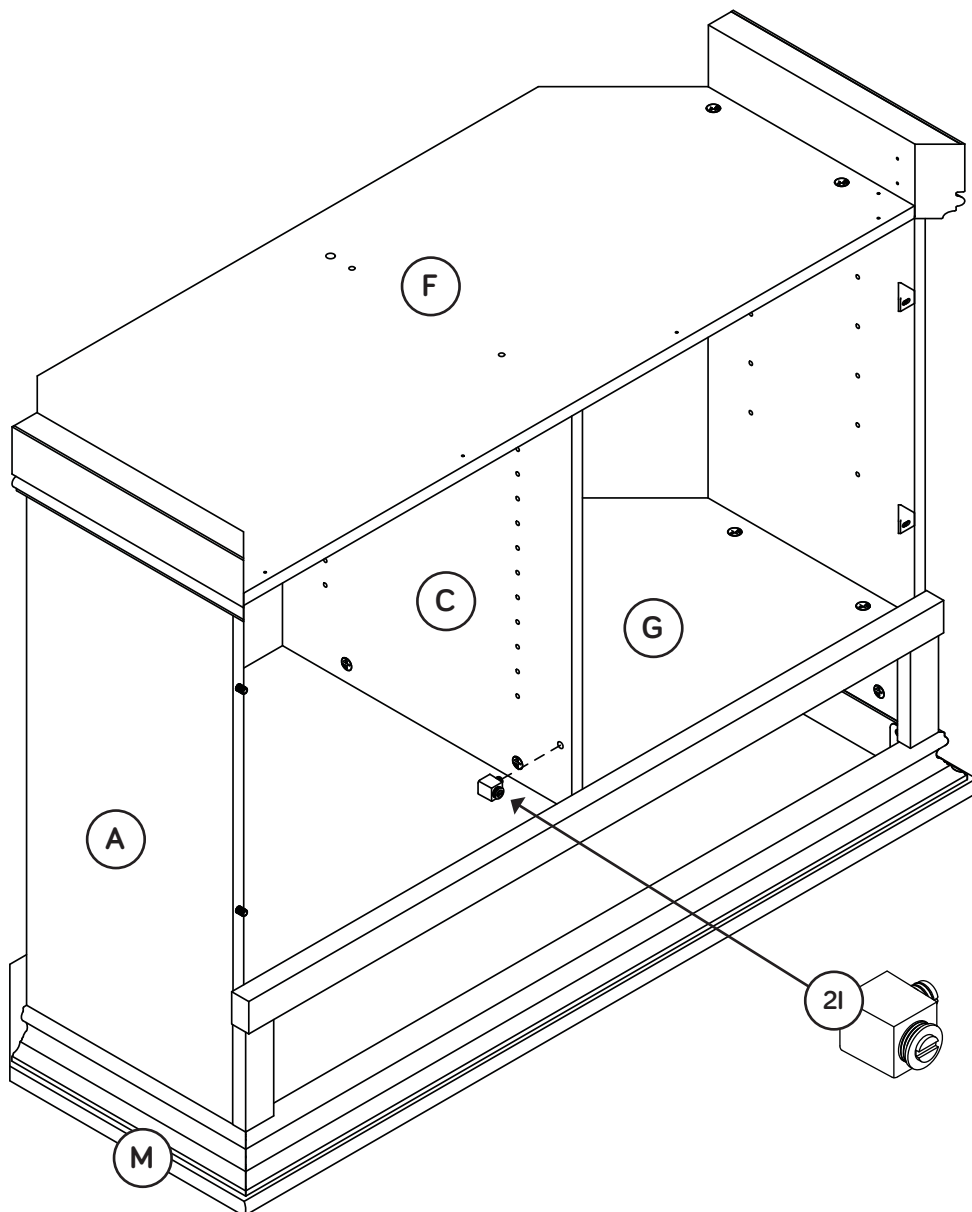
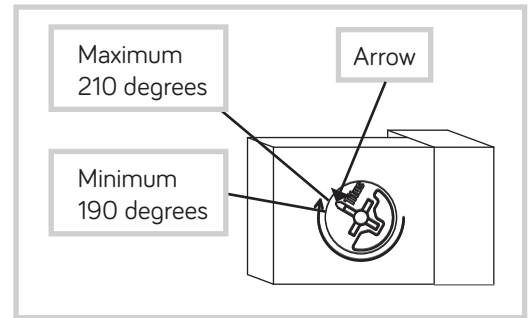
Step 11

- Fasten the BOTTOM (F) to the LEFT BASE (Q). Tighten two HIDDEN CAMS.
- Fasten the BOTTOM (F) to the UPRIGHT (C). Use two BLACK 1-7/8" FLAT HEAD SCREWS (2S).



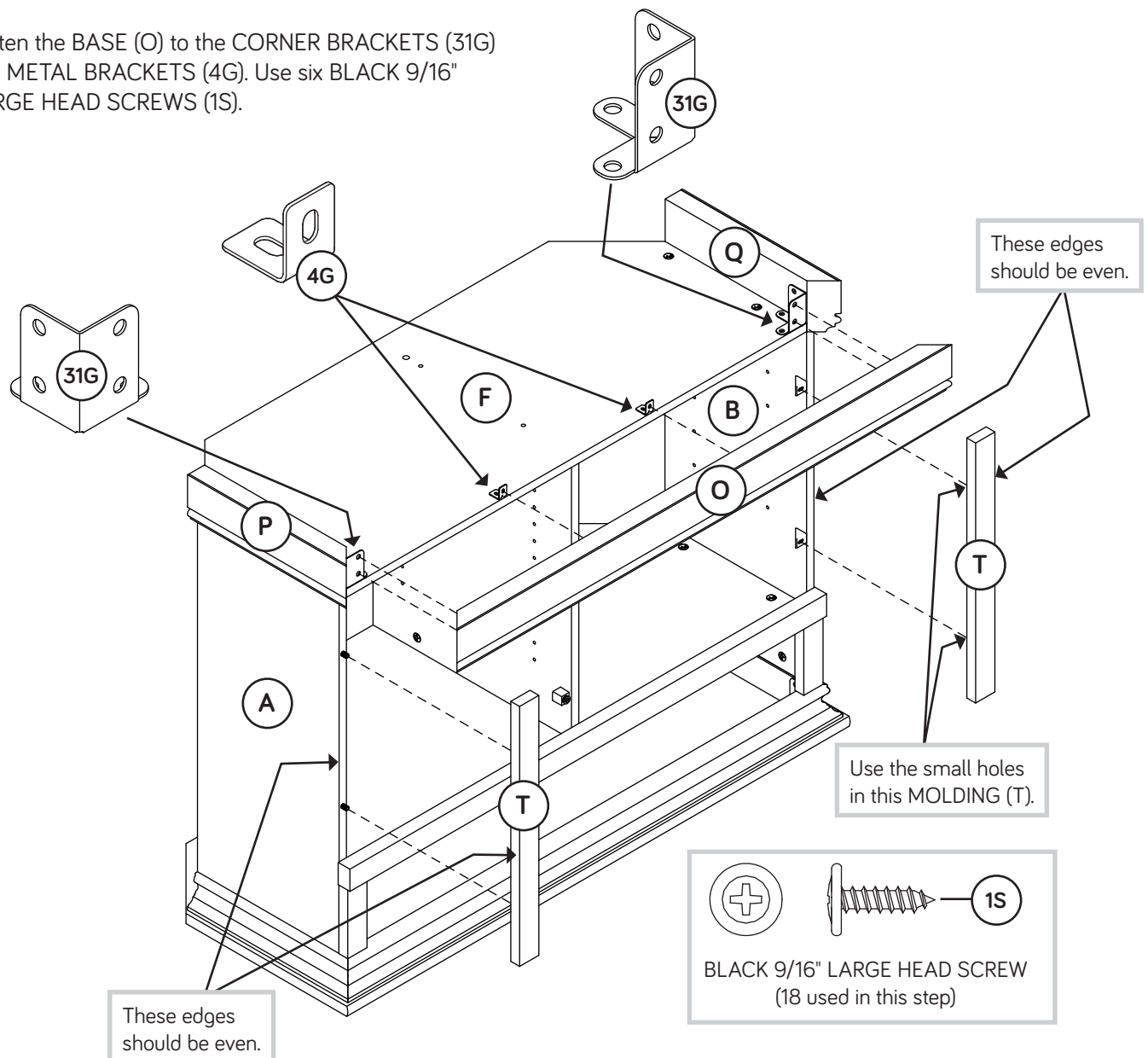
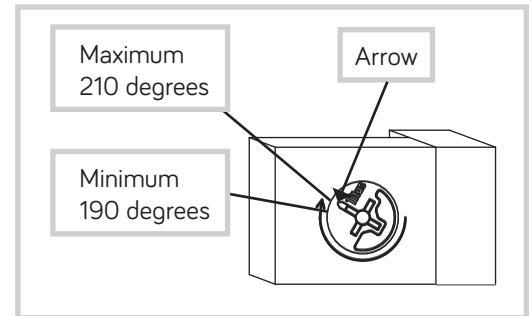
Step 12

- Fasten the RIGHT END (A) to the RIGHT MOLDING (M), SHELF (G), and BOTTOM (F). Tighten six HIDDEN CAMS.
- Push the MAGNETIC CATCH (21) into the hole in the UPRIGHT (C).



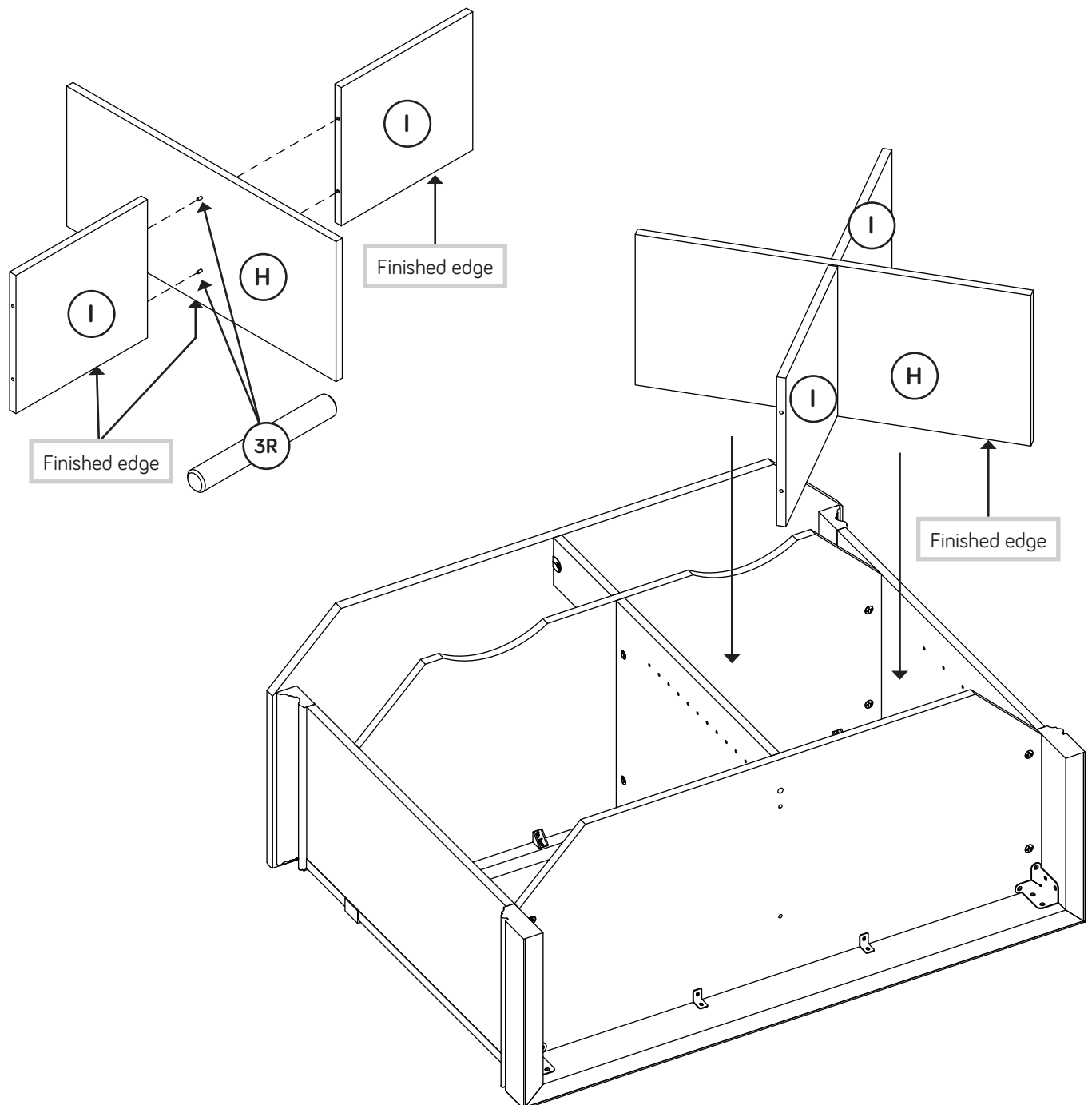
Step 13

- ✚ Fasten an END MOLDING (T) to the RIGHT END (A). Tighten two HIDDEN CAMS.
- ✚ Fasten the other END MOLDING (T) to the LEFT END (B). Use two BLACK 9/16" LARGE HEAD SCREWS (1S).
- ✚ Fasten two CORNER BRACKETS (31G) to the BASES (P and Q) and BOTTOM (F). Use eight BLACK 9/16" LARGE HEAD SCREWS (1S).
- ✚ Fasten two METAL BRACKETS (4G) to the BOTTOM (F). Use two BLACK 9/16" LARGE HEAD SCREWS (1S).
- ✚ **NOTE:** Be sure the BRACKETS are even with the edges of the BOTTOM.
- ✚ Fasten the BASE (O) to the CORNER BRACKETS (31G) and METAL BRACKETS (4G). Use six BLACK 9/16" LARGE HEAD SCREWS (1S).



Step 14

- ✚ Carefully turn your unit over onto its front edges.
- ✚ Insert two LONG METAL PINS (3R) into the holes in the CROSS SHELF (H). Push two SMALL CROSS SHELVES (I) over the LONG METAL PINS.
- ✚ Carefully insert the CROSS SHELF assembly into the opening as shown.

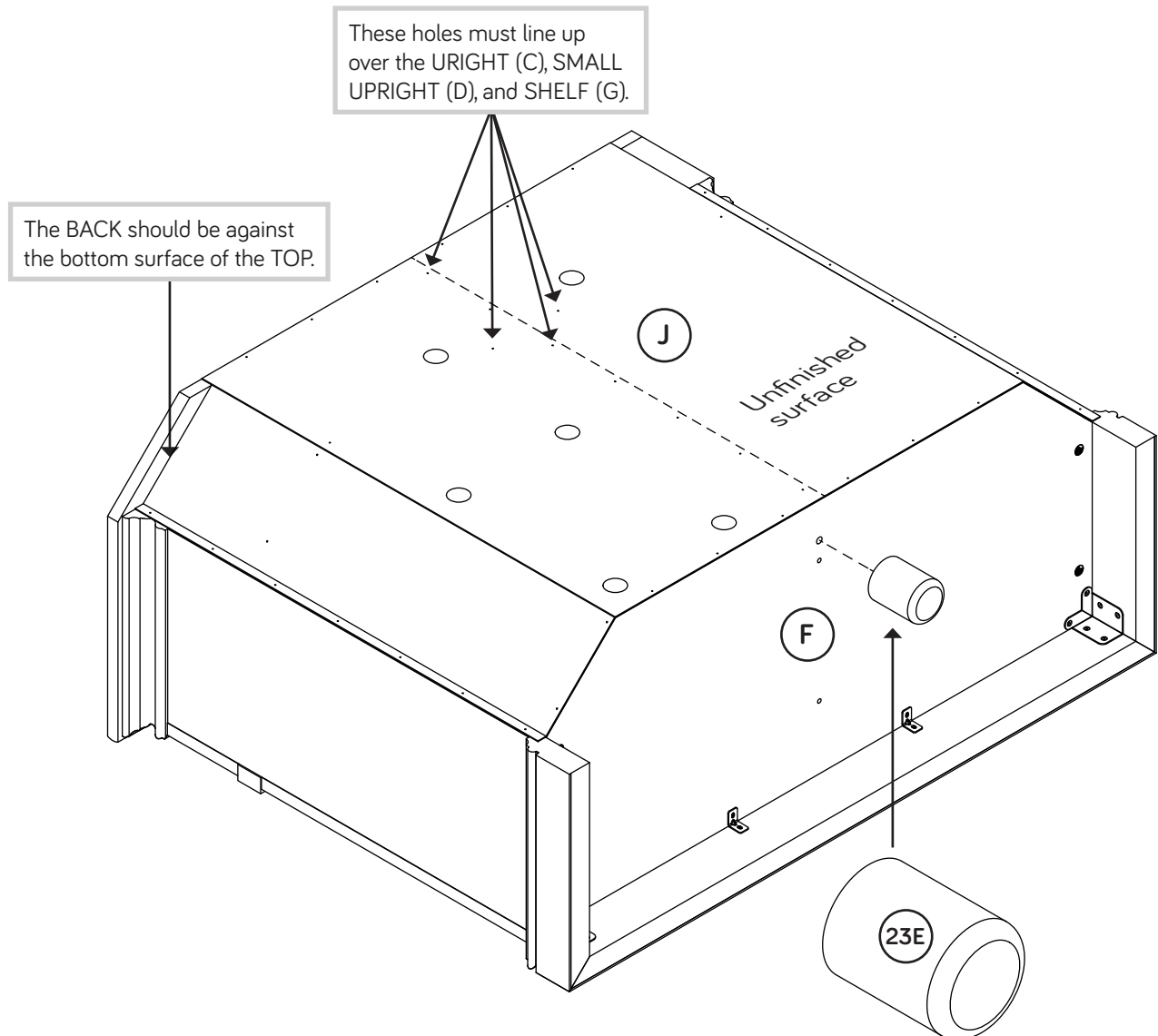
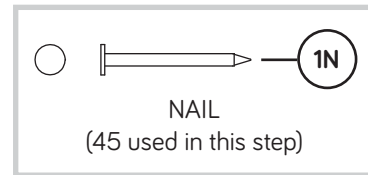


Step 15

- ✚ Unfold the BACK (J) and lay it over your unit.
- ✚ Fasten the BACK (J) to your unit using the NAILS (1N).
- ✚ **NOTE:** Be sure to tap NAILS into the holes that line up over the UPRIGHT (C), SMALL UPRIGHT (D), and SHELF (G).
- ✚ **NOTE:** Perforations have been provided for access through the BACK. Carefully cut out the holes needed.
- ✚ Push the FOOT (23E) into the hole in the BOTTOM (F).

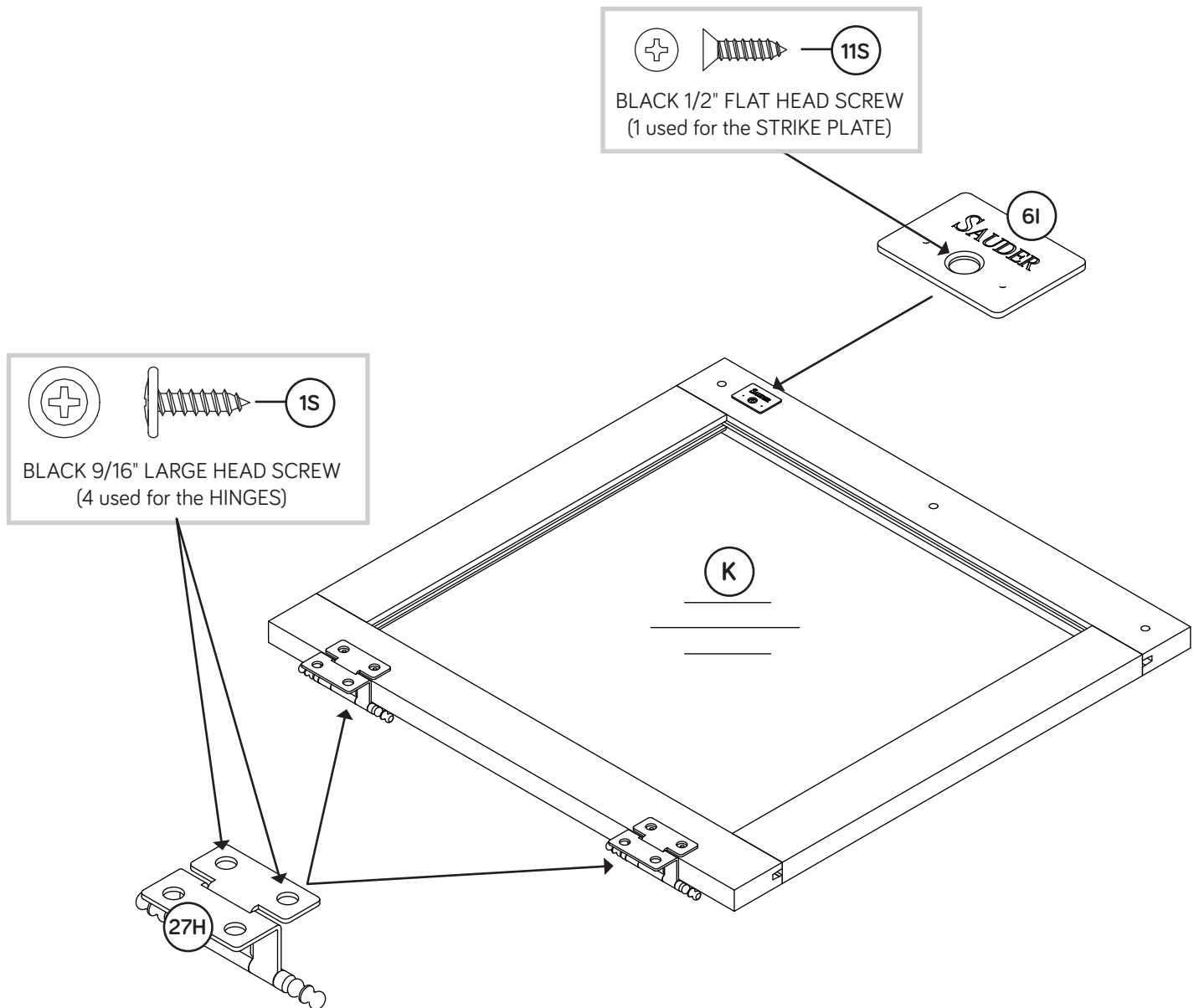
Caution

Do not stand the unit upright without the BACK fastened. The unit may collapse.



Step 16

- Fasten the HINGES (27H) to the DOOR (K). Use four BLACK 9/16" LARGE HEAD SCREWS (1S).
- Fasten the STRIKE PLATE (6I) to the DOOR (K). Use a BLACK 1/2" FLAT HEAD SCREW (11S).

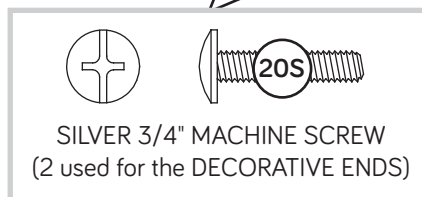
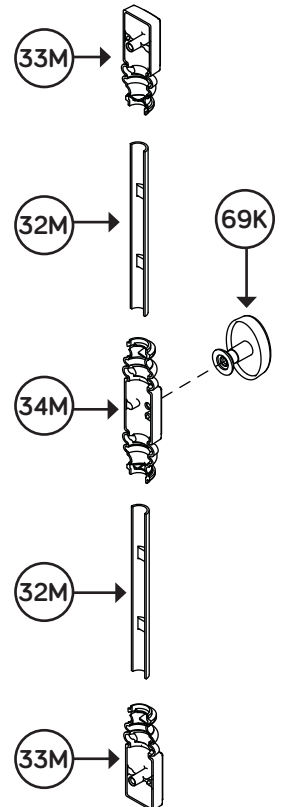
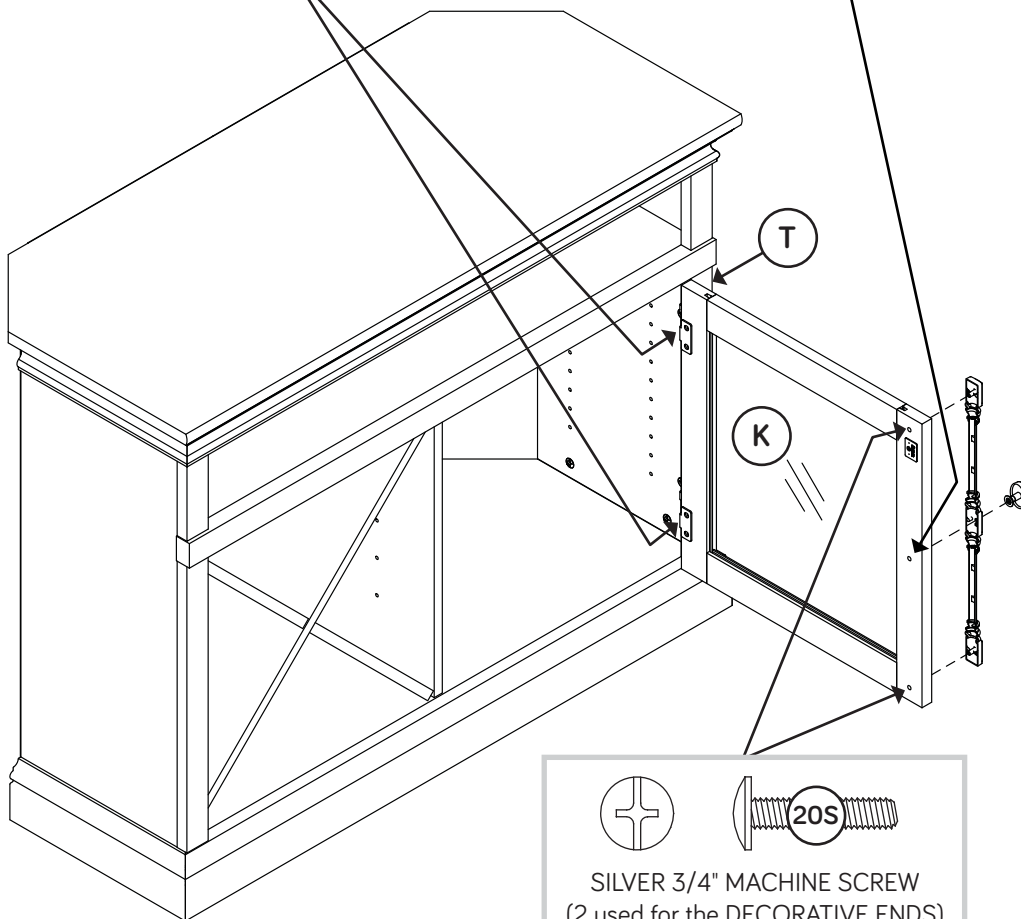
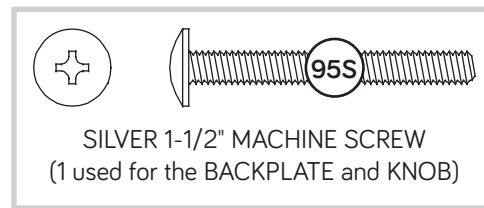
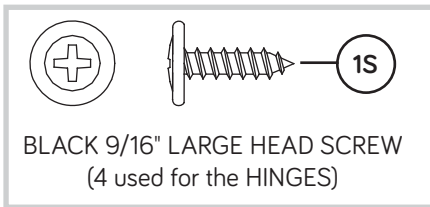


Step 17

- ⚡ Carefully stand your unit upright.
- ⚡ Fasten the DOOR (K) to the RIGHT END MOLDING (T). Use four BLACK 9/16" LARGE HEAD SCREWS (1S).
- ⚡ Fasten the DECORATIVE ENDS (33M) to the DOOR (K). Use two SILVER 3/4" MACHINE SCREWS (20S).
- ⚡ Insert a DECORATIVE POST (32M) into the DECORATIVE ENDS.
- ⚡ Fasten the DECORATIVE BACKPLATE (34M) and DECORATIVE KNOB (69K) to the DOOR. Use a SILVER 1-1/2" MACHINE SCREW (95S).



Pro Tip: Lift with your legs. And, you know, your arms.



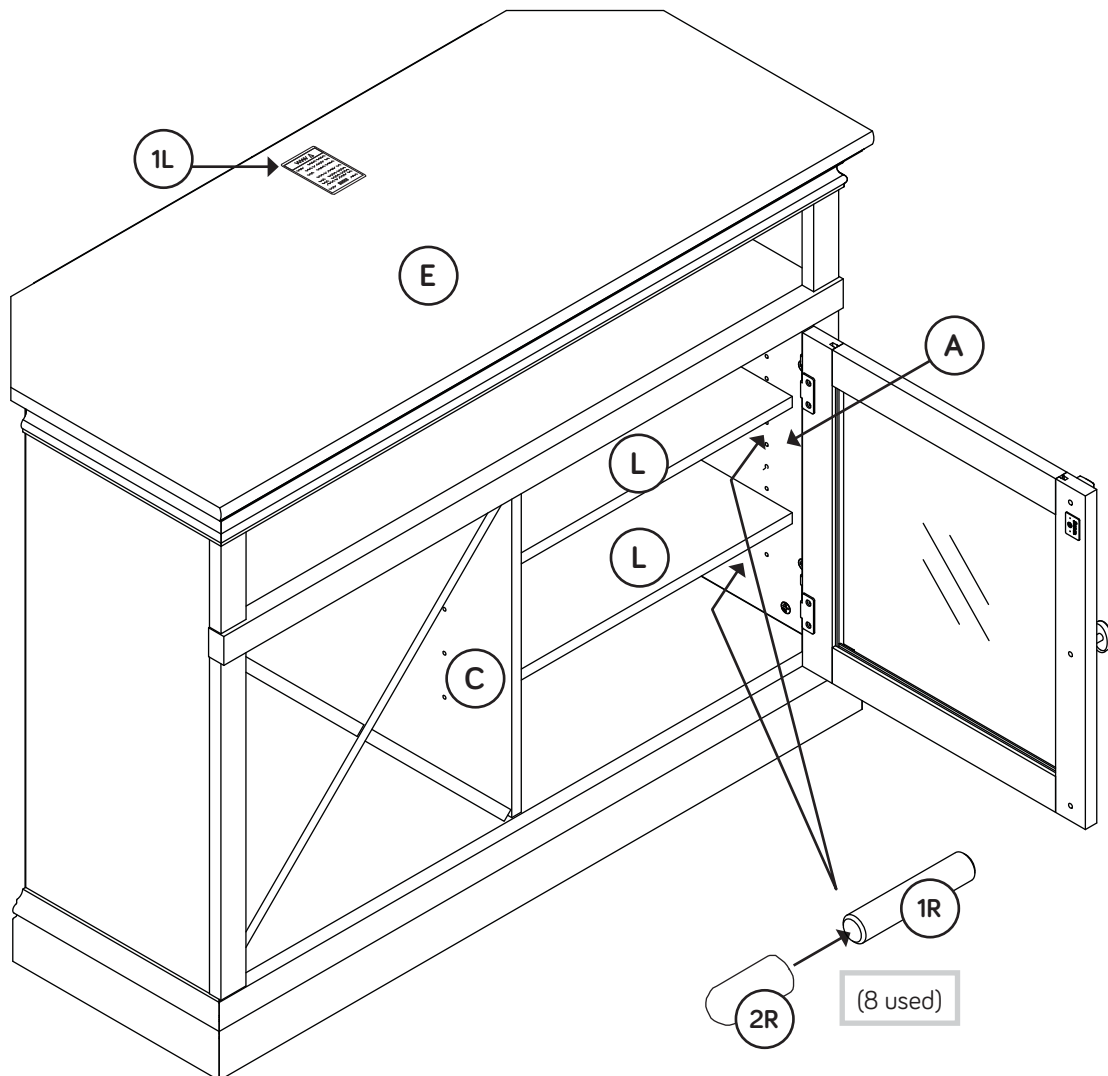
Step 18

- ✚ Push the RUBBER SLEEVES (2R) over the METAL PINS (1R). Insert the METAL PINS into the hole locations of your choice in the END (A) and UPRIGHT (C). Set the ADJUSTABLE SHELVES (L) onto the METAL PINS.
- ✚ Apply the WARNING LABEL (1L) to the TOP (E). You should be able to read the label when the TV is removed from the unit. When the TV is in place, it should hide the label. Peel off the backing and apply the label as shown in the diagram.
- ✚ **NOTE:** This is a permanent label intended to last for the life of the product. Once applied, do not try to remove it.

⚠ WARNING

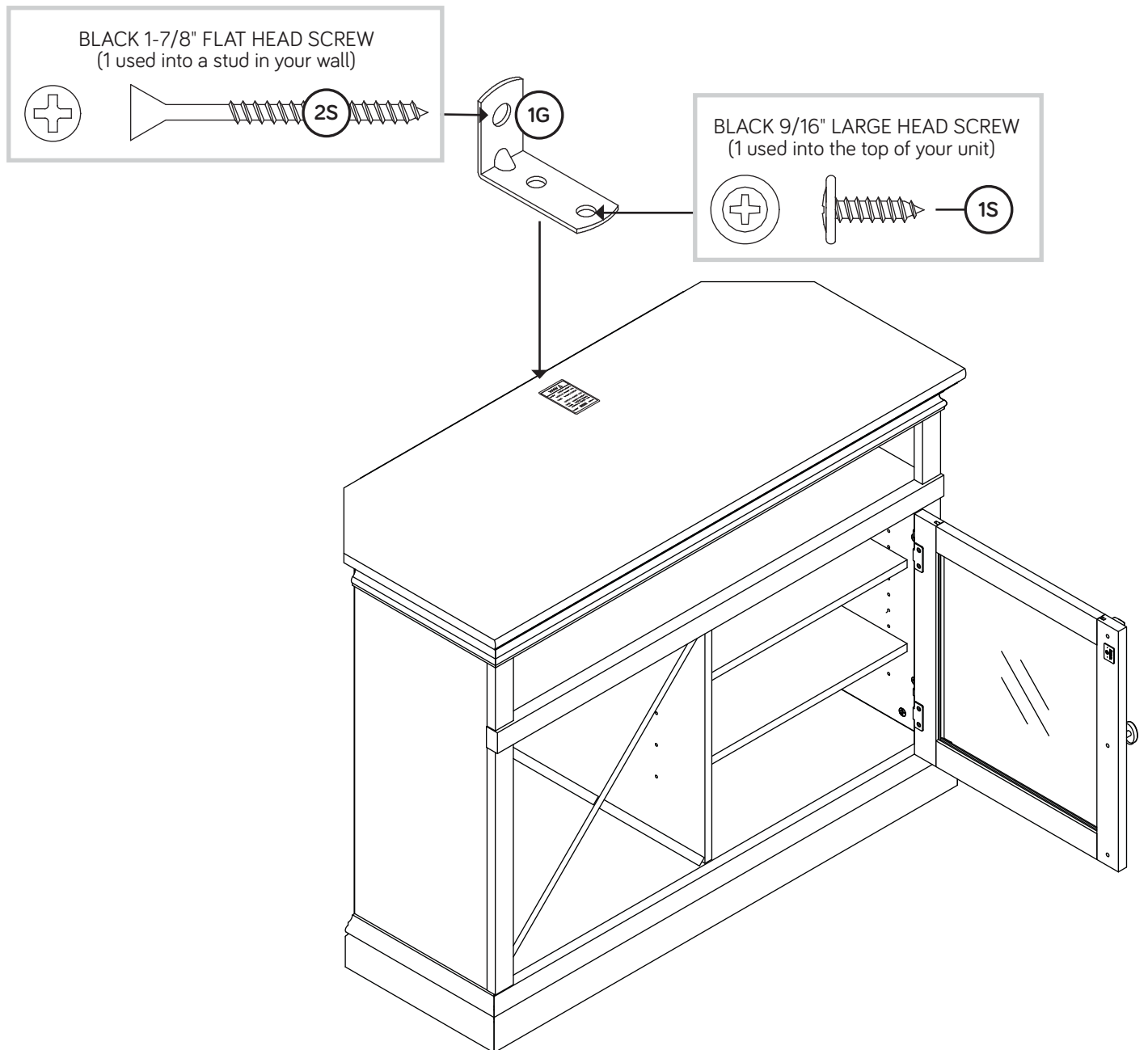
Never use this furniture with a TV that is too large or too heavy. Severe injury or death can occur. The TV and furniture will be unstable and may tip.

- The TV **must** weigh less than **50 lbs.**
- The base of the TV **must** be able to sit completely on this shelf.



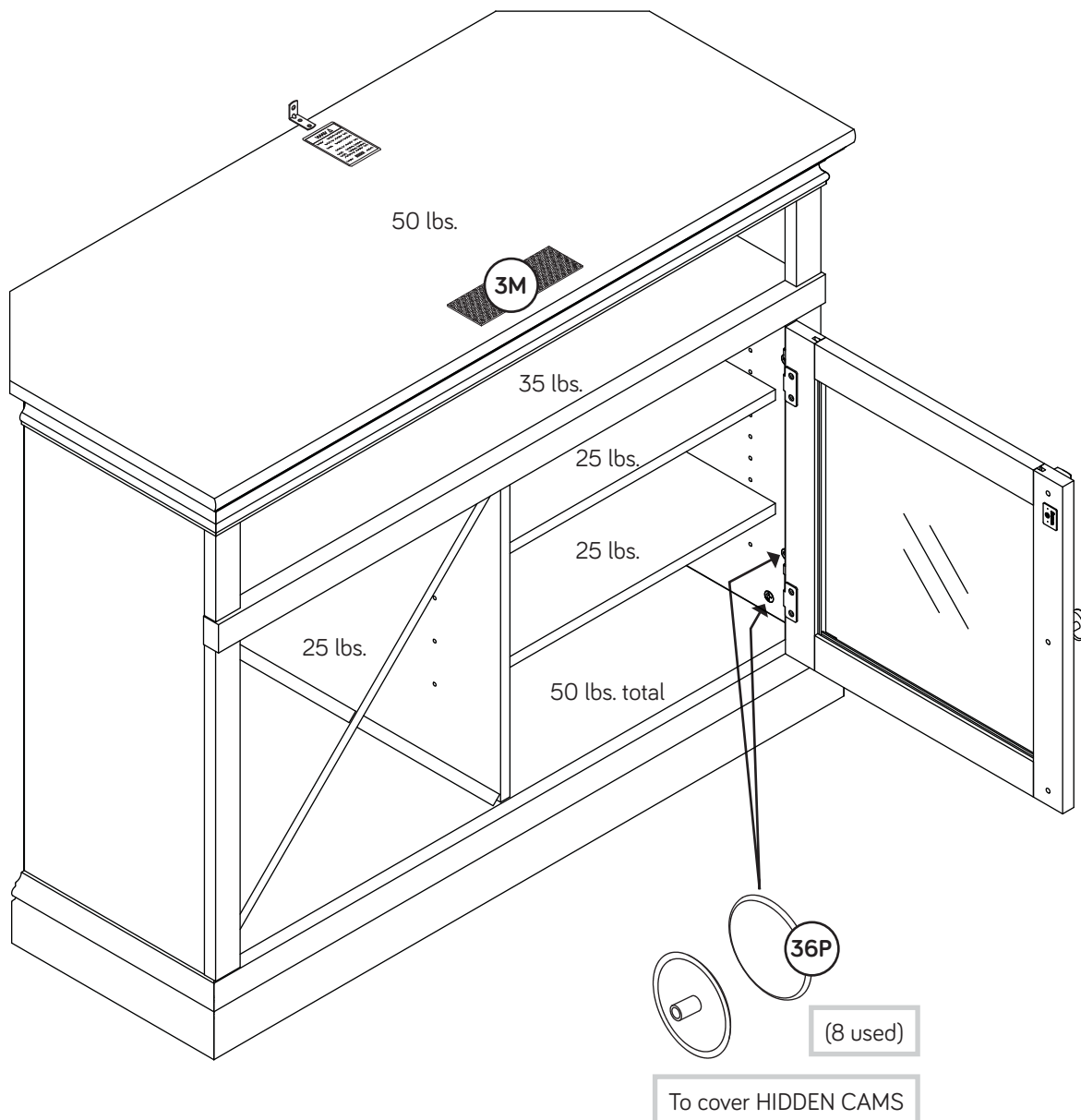
Step 19

- ⚠ We recommend using the SAFETY BRACKET (1G) for added stability. Use a BLACK 9/16" LARGE HEAD SCREW (1S) into the top of the unit and a BLACK 1-7/8" FLAT HEAD SCREW (2S) into a stud in your wall.



Step 20

- ✚ To help prevent the TV from sliding, place the ANTI-SKID PAD (3M) under the front support of the TV or divide among the front supports if more than one.
- ✚ Push a CAM COVER (36P) onto each HIDDEN CAM.
- ✚ NOTE: Please read the back pages of the instruction booklet for important safety information.
- ✚ This completes assembly. Clean with your favorite furniture polish or a damp cloth. Wipe dry.



 **WARNING**

Please use your furniture correctly and safely. Improper use can cause safety hazards, or damage to your furniture or household items. Carefully read the following safety information.

Death or serious injury may occur when children climb on audio and/or video equipment furniture. A remote control or toys placed on the furnishing may encourage a child to climb on the furnishing and as a result may tip over onto the child.

NEVER allow children to climb or play with the TV or furnishing supporting the TV.

NEVER place toys, food, remote, etc. on top of the TV or TV furnishing.

ALWAYS use either the safety hardware as instructed or other wall anchoring device.

Relocating audio and/or video equipment to furniture not specifically designed to support audio and/or video equipment may result in death or serious injury due to furniture collapse or over turning onto a child.

NEVER place a TV on furniture that is not intended to support a TV.

NEVER exceed the maximum size and weight of the TV shown in the instructions.

Be sure to apply the TV warning label as shown in the instructions.

Overloading drawers and shelves may result in furniture that can break or sag, or tip-over which may result in injury.

NEVER exceed the weight limits shown in the instructions.

Place the heavier items on lower shelves as far back from the front as possible.

Load the bottom surfaces first to avoid top-heavy furniture.

Moving furniture that is not designed to be moved or equipped with casters may result in injury or damage to furnishings or personal property.

ALWAYS unload shelves and drawers, starting with the top surfaces, before moving.

NEVER push or pull furniture on carpet. Have a friend help lift properly to move and/or reposition it.