

Great for all those
books you'll never read.

5-Shelf Bookcase

Barrister Home | Model 5420173

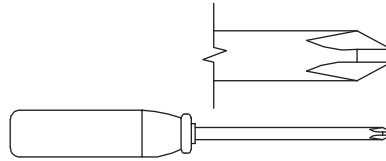
NOTE: THIS INSTRUCTION
BOOKLET CONTAINS **IMPORTANT**
SAFETY INFORMATION.

PLEASE READ AND KEEP FOR
FUTURE REFERENCE.

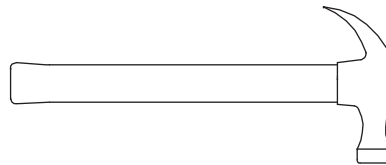
Table of Contents

Assembly Tools Required

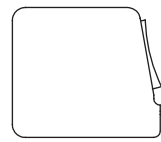
Part Identification	2-3
Hardware Identification	4
Assembly Steps	5-18
Safety	19



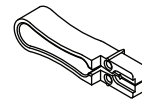
No. 2 Phillips Screwdriver
Tip Shown Actual Size



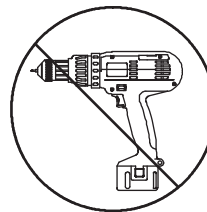
Hammer
Not actual size 😊



Tape Measure



Nail Holder (provided)

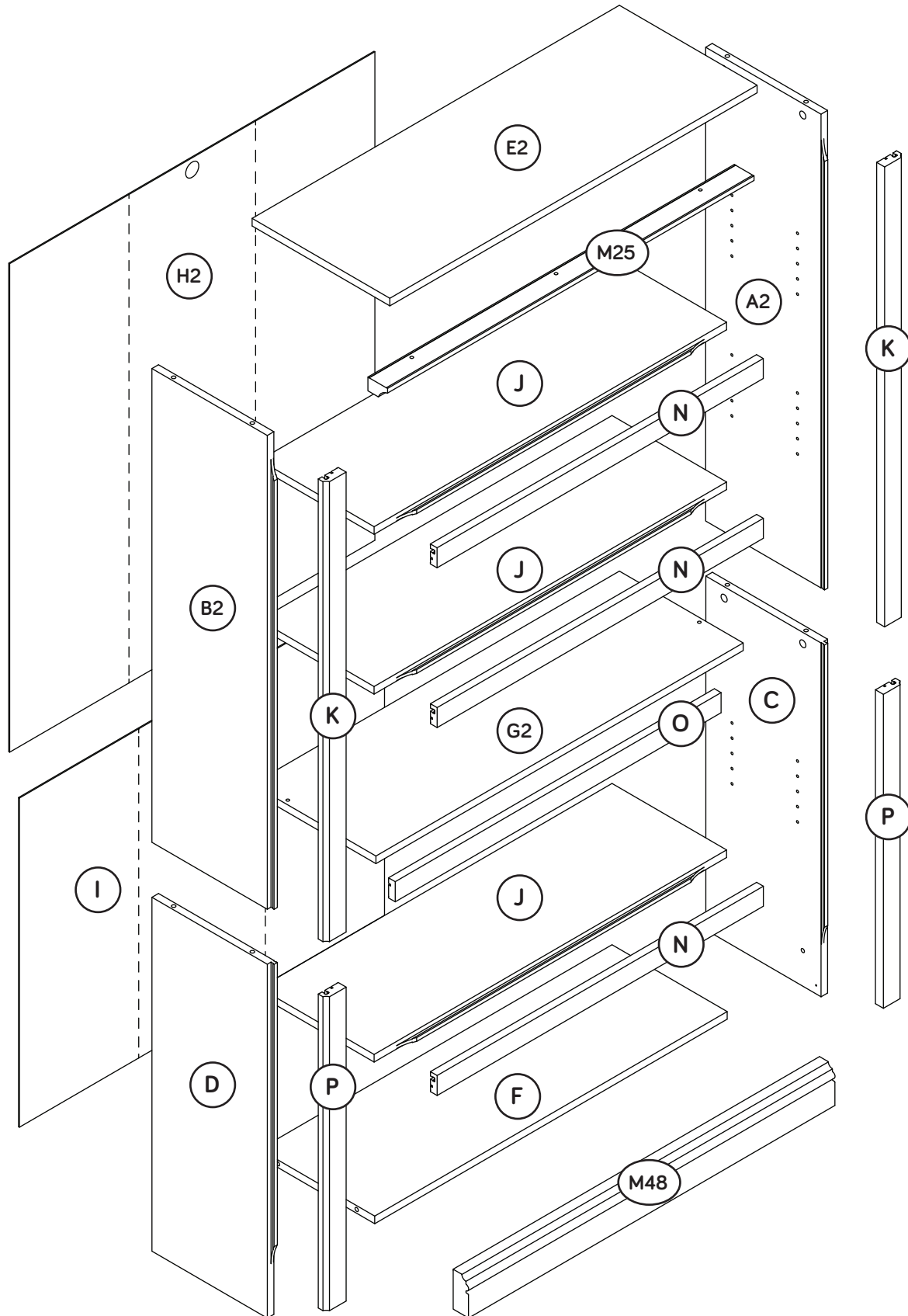


Skip the power trip.
This time.

Part Identification

⚠ While not all parts are labeled, some of the parts will have a label or an inked letter on the edge to help distinguish similar parts from each other. Use this part identification to help identify similar parts.

A2	RIGHT END (1)	G2	SHELF (1)	M48	BASE (1)
B2	LEFT END (1)	H2	LARGE BACK (1)	N	SHELF MOLDING (3)
C	LOWER RIGHT END (1)	I	BACK (1)	O	SKIRT (1)
D	LOWER LEFT END (1)	J	ADJUSTABLE SHELF (3)	P	LOWER END MOLDING (2)
E2	TOP (1)	K	END MOLDING (2)		
F	BOTTOM (1)	M25	TOP MOLDING (1)		



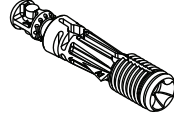
Hardware Identification

† Screws are shown actual size. You may receive extra hardware with your unit.

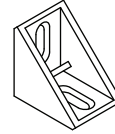
1F HIDDEN CAM - 12



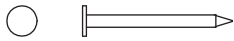
2F CAM DOWEL - 12



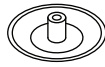
27G ANGLE BRACKET - 8



1N NAIL - 55



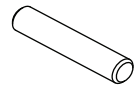
13P CAM COVER - 8



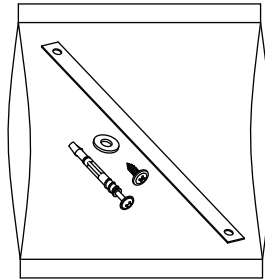
14P HOLE PLUG - 3



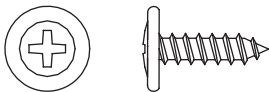
1R METAL PIN - 12



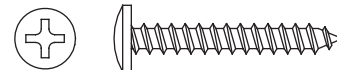
97 FURNITURE TIPPING RESTRAINT KIT - 1



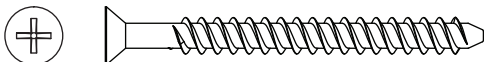
1S BLACK 9/16" LARGE HEAD SCREW - 16



9S BLACK 1-1/8" PAN HEAD SCREW - 3



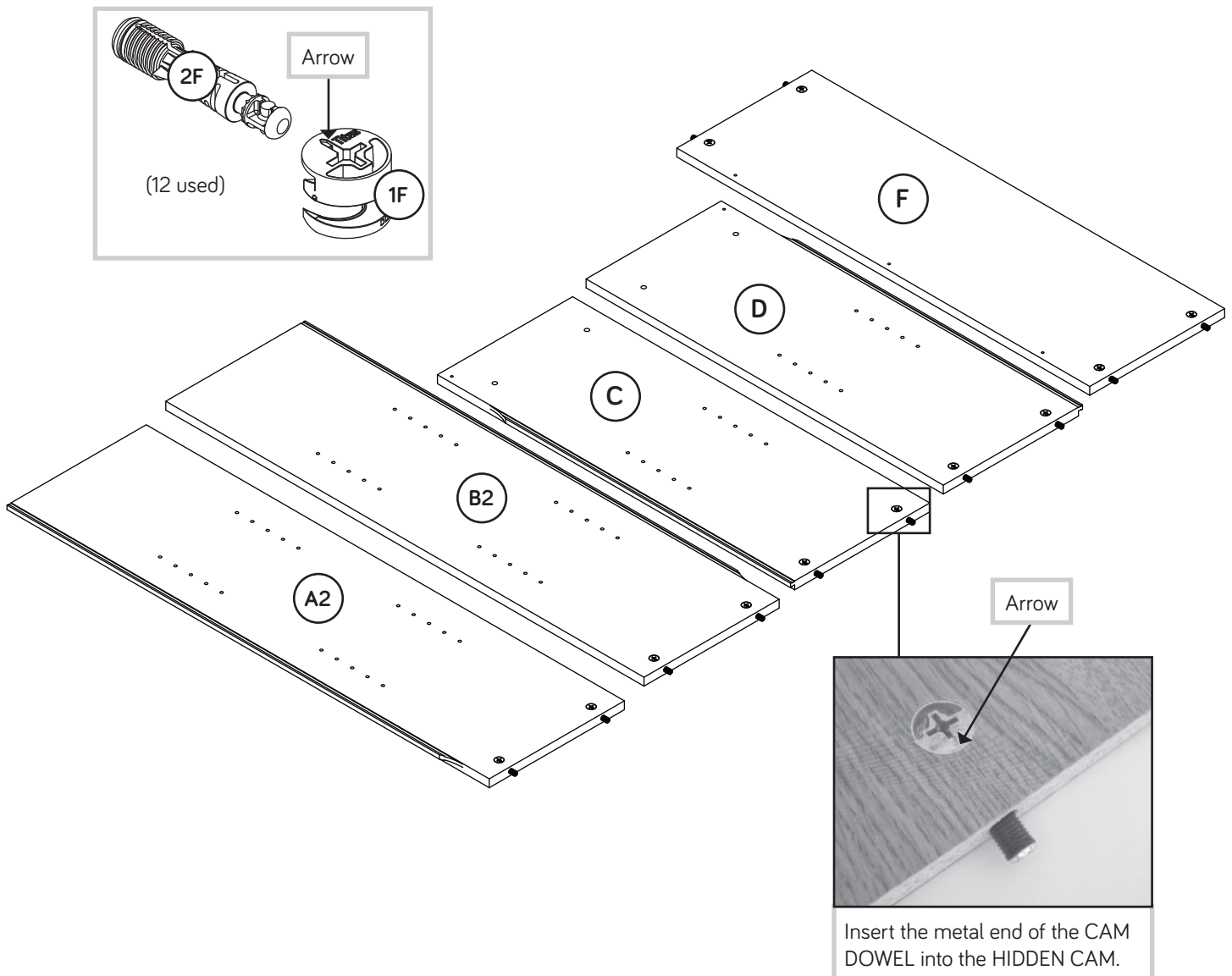
113S BLACK 1-15/16" FLAT HEAD SCREW - 4



Step 1

- ✦ Assemble your unit on a carpeted floor or on the empty carton to avoid scratching your unit or the floor.
- ✦ Push twelve HIDDEN CAMS (1F) into the ENDS (A2 and B2), LOWER ENDS (C and D), and BOTTOM (F). Then, insert the metal end of a CAM DOWELS (2F) into the HIDDEN CAMS.

Do not tighten the HIDDEN CAMS in this step.

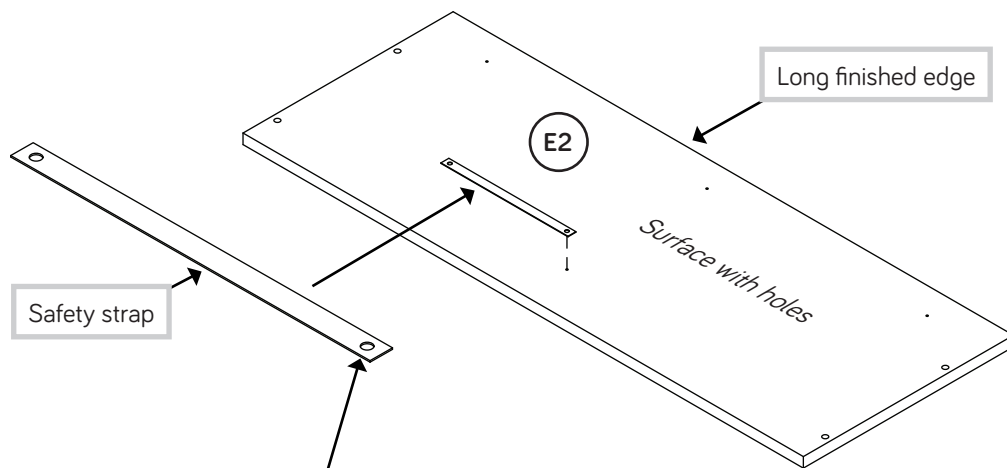
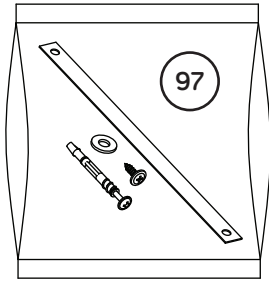


Step 2

✚ Open the FURNITURE TIPPING RESTRAINT KIT (97) and fasten the SAFETY STRAP to the TOP (E2). Use the provided BLACK 9/16" LARGE HEAD SCREW.

✚ NOTE: Position the SAFETY STRAP exactly as shown.

 Remember:
Righty tighty.
Lefty loosey.

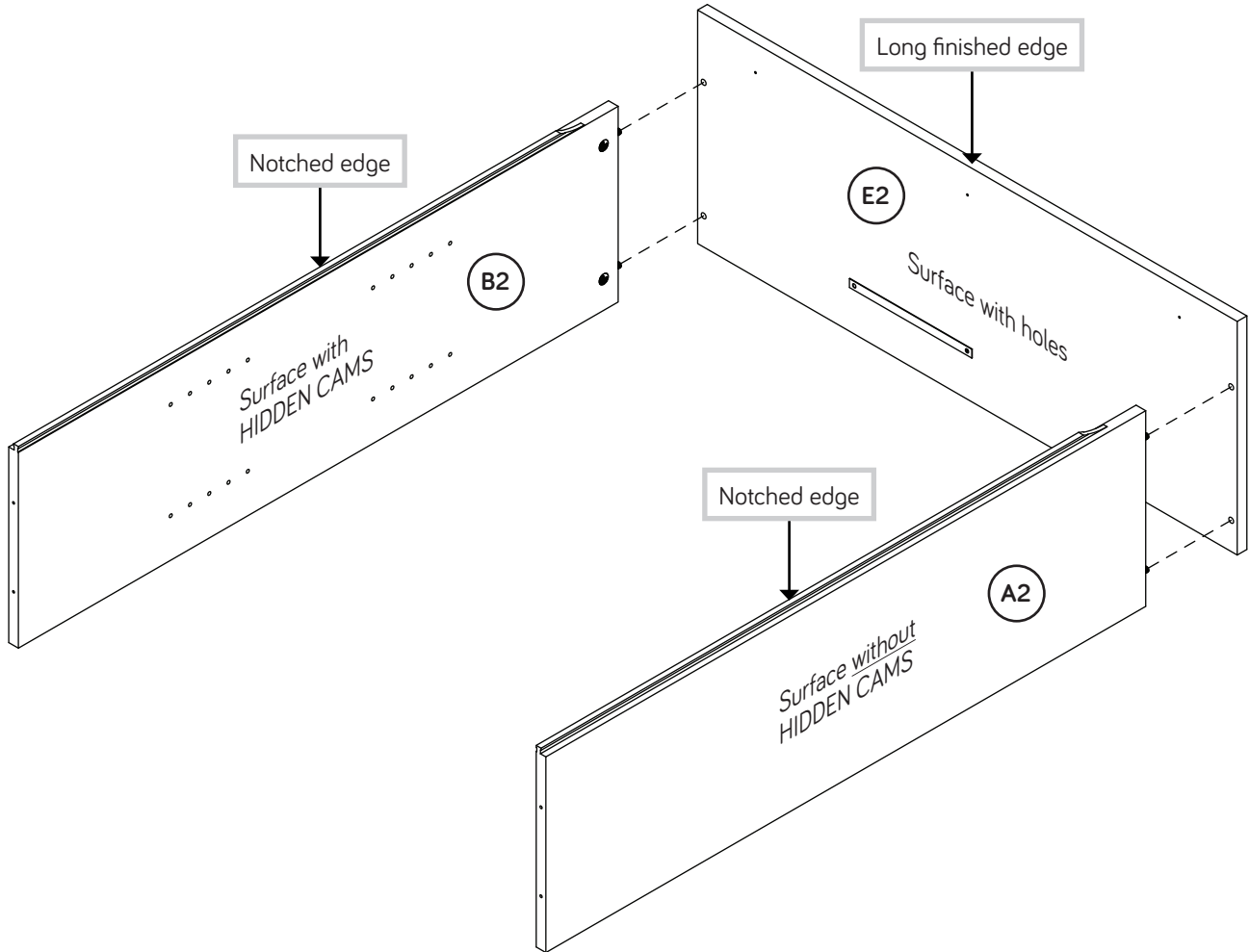


Step 3

🔩 Fasten the TOP (E2) to the ENDS (A2 and B2). Tighten four HIDDEN CAMS.

⚠ Caution

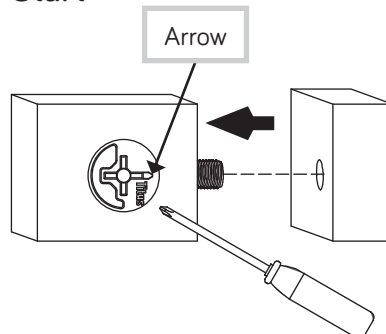
Do not stand the unit upright without the BACK fastened. The unit may collapse.



⚠ Caution

Risk of damage or injury. HIDDEN CAMS must be completely tightened. HIDDEN CAMS that are not completely tightened may loosen, and parts may separate. To completely tighten:

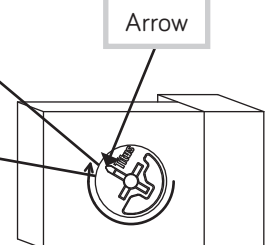
Start



Tighten

Maximum 210 degrees

Minimum 190 degrees



Step 4

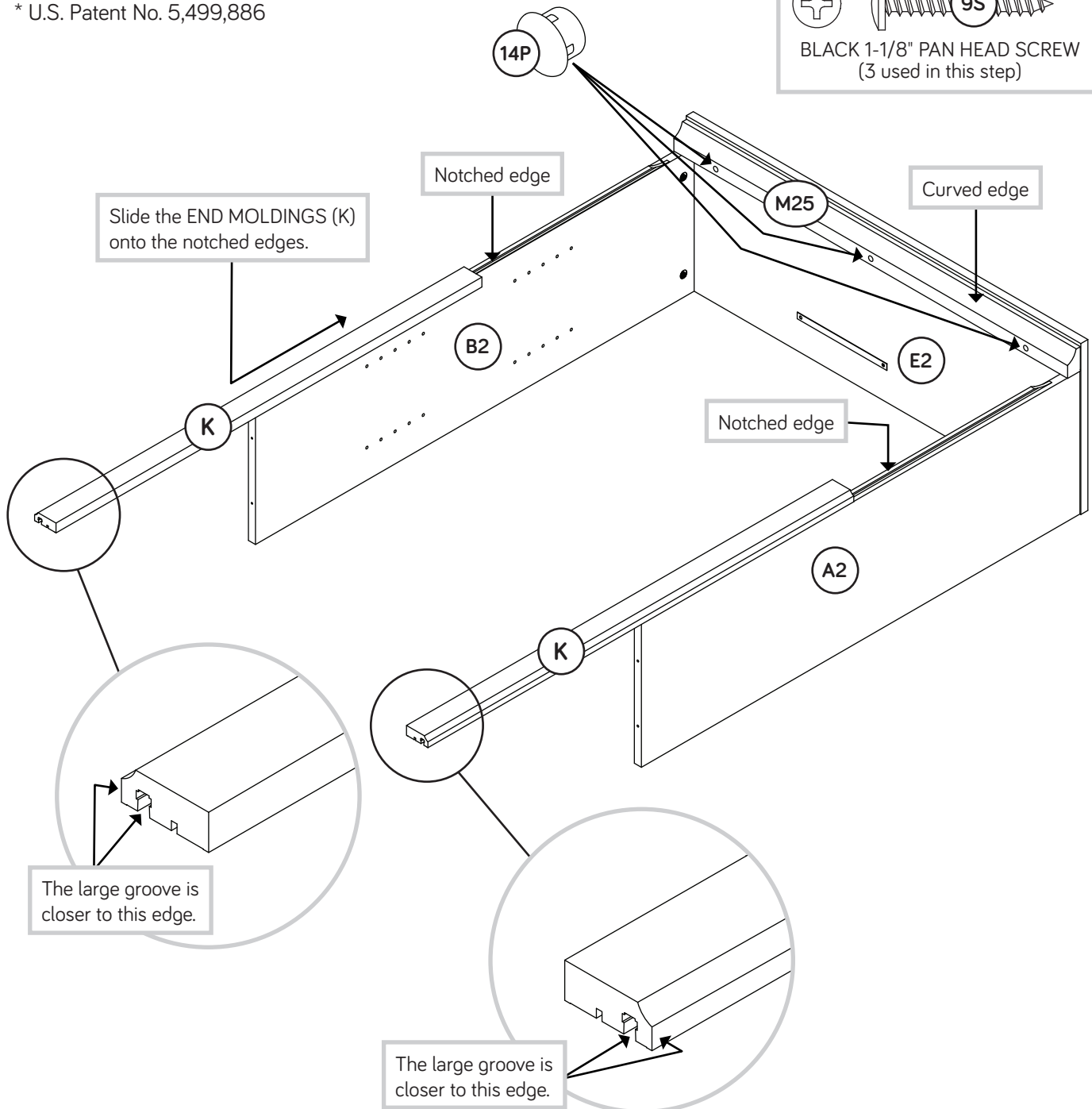
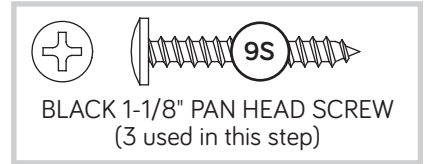
✚ Fasten the TOP MOLDING (M25) to the TOP (E2). Use three BLACK 1-1/8" PAN HEAD SCREWS (9S).

✚ NOTE: Do not overtighten the SCREWS into the TOP.

✚ Insert three HOLE PLUGS (14P) into the holes in the TOP MOLDING (M25).

✚ Slide the END MOLDINGS* (K) onto the notched edges of the ENDS (A2 and B2).

✚ * U.S. Patent No. 5,499,886

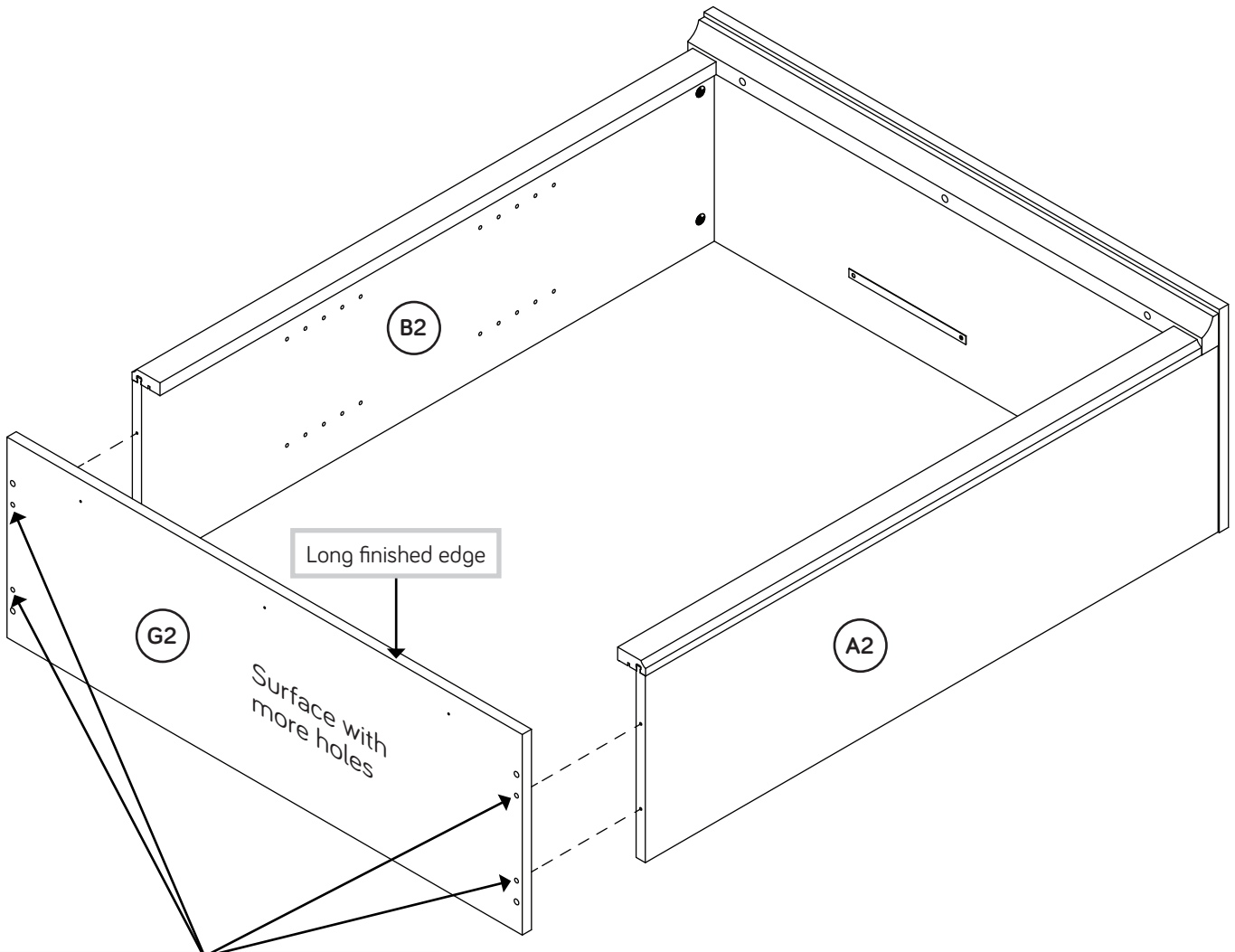


Step 5

Fasten the SHELF (G2) to the ENDS (A2 and B2). Use four BLACK 1-15/16" FLAT HEAD SCREWS (113S).



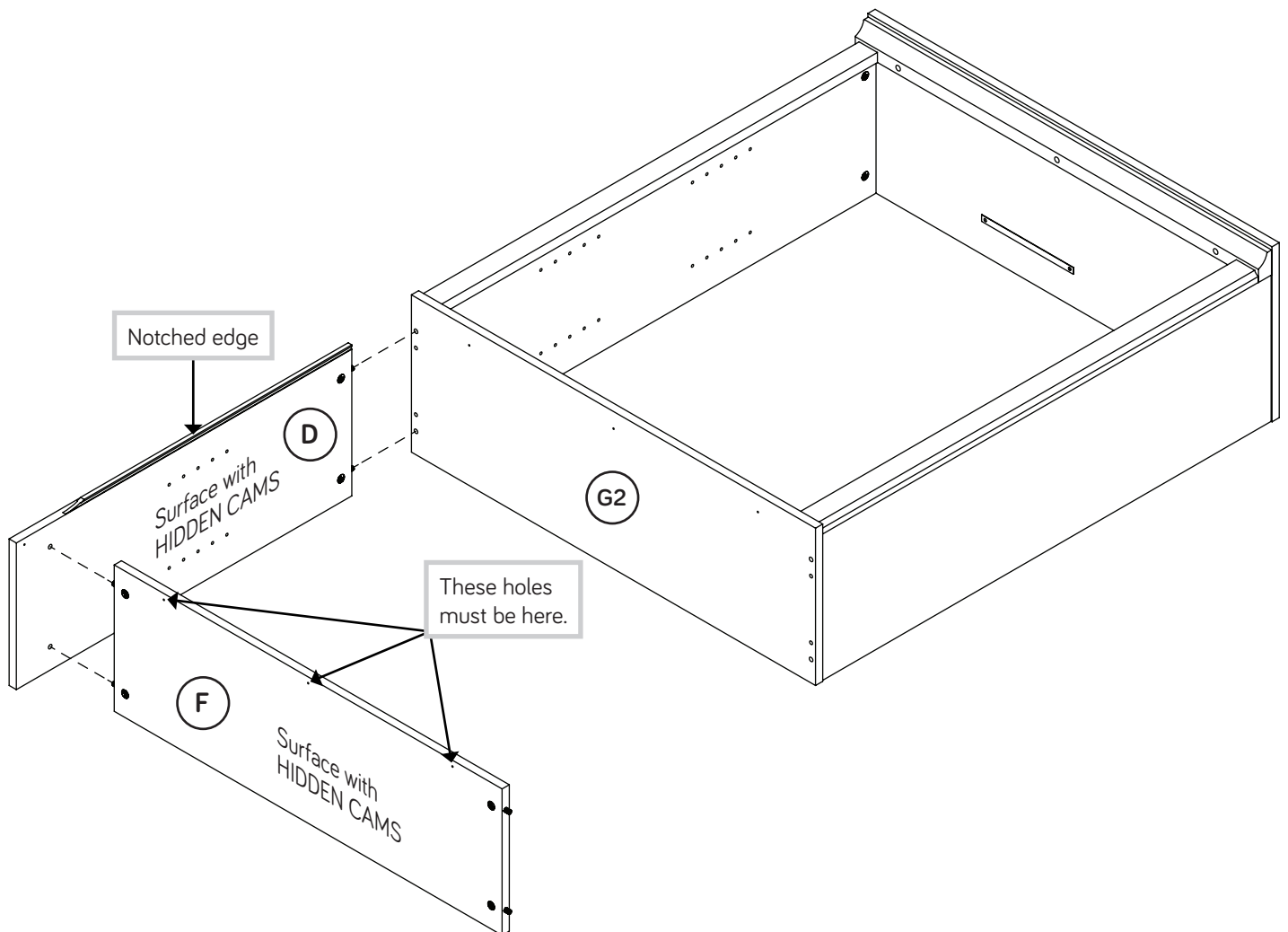
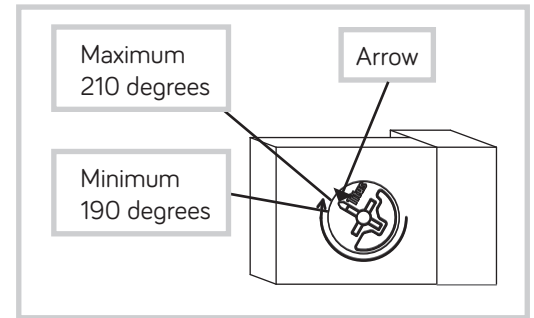
Don't worry. It isn't Rome. This can be built in a day.



BLACK 1-15/16" FLAT HEAD SCREW
(4 used in this step)

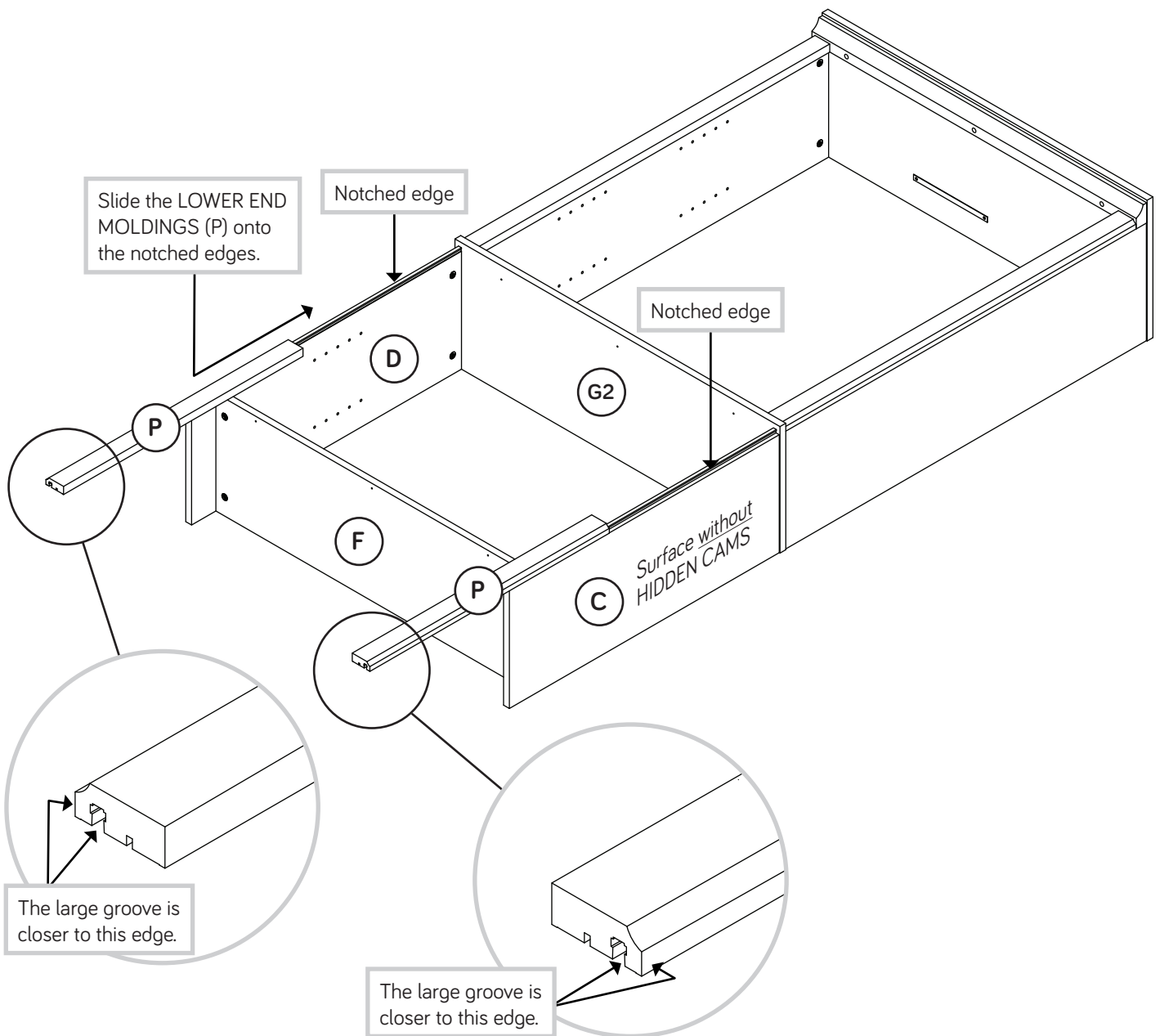
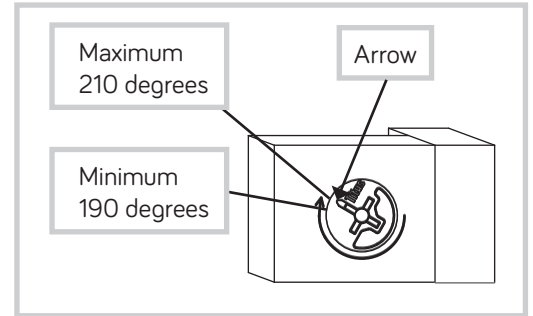
Step 6

- Fasten the LOWER LEFT END (D) to the SHELF (G2).
Tighten two HIDDEN CAMS.
- Fasten the BOTTOM (F) to the LOWER LEFT END (D).
Tighten two HIDDEN CAMS.



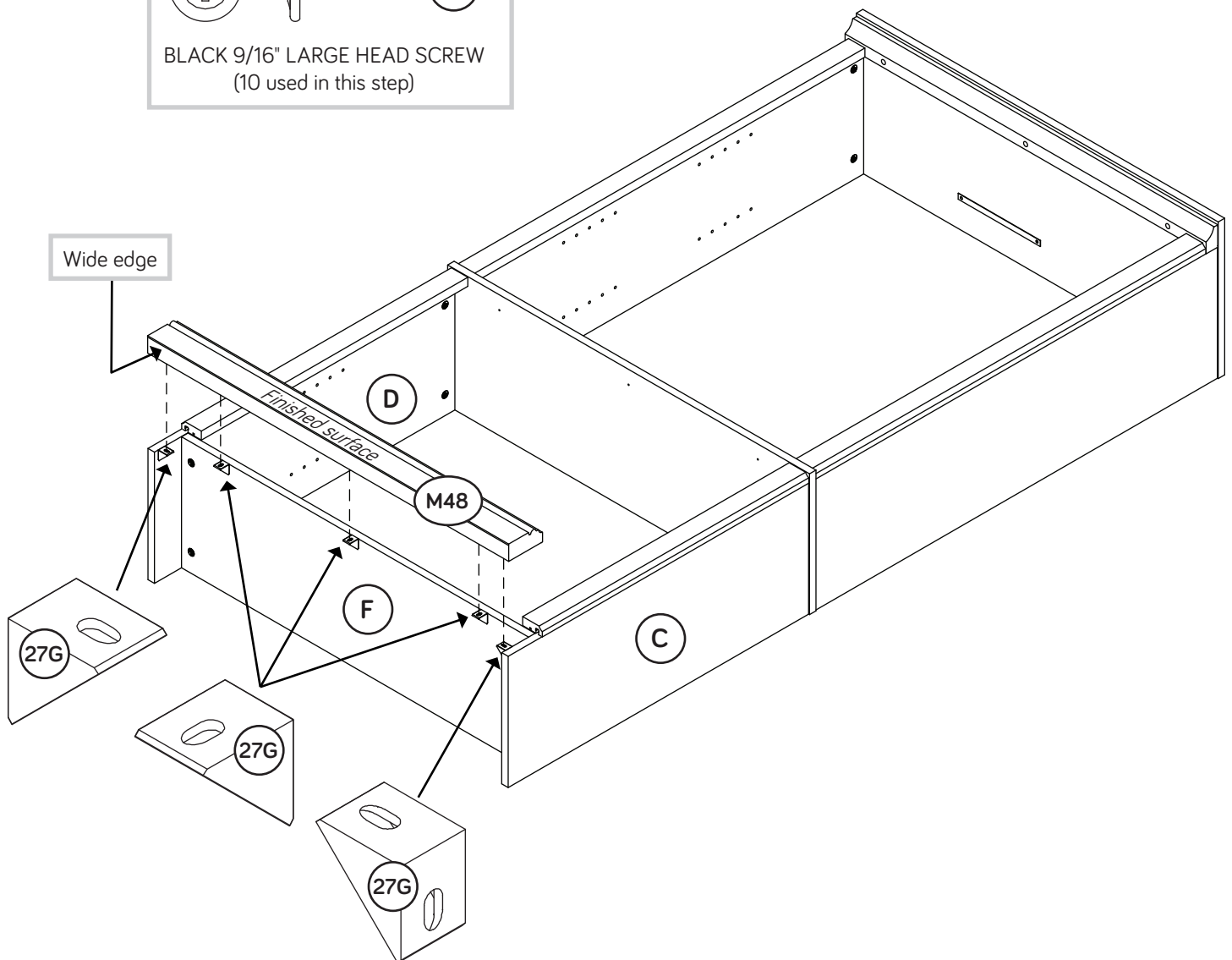
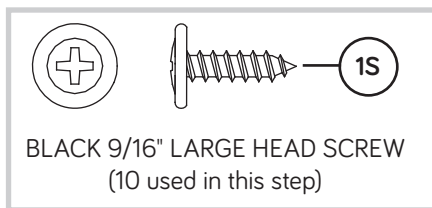
Step 7

- Fasten the LOWER RIGHT END (C) to the BOTTOM (F) and SHELF (G2). Tighten four HIDDEN CAMS.
- Slide the LOWER END MOLDINGS (P)* onto the notched edges of the LOWER ENDS (C and D).
- * U.S. Patent No. 5,499,886



Step 8

- Fasten five ANGLE BRACKETS (27G) to the LOWER ENDS (C and D) and BOTTOM (F). Use five BLACK 9/16" LARGE HEAD SCREWS (1S).
- NOTE:** Be sure the ANGLE BRACKETS are even with the edges of the LOWER ENDS and BOTTOM.
- Fasten the BASE (M48) to the LOWER ENDS (C and D) and BOTTOM (F). Use five BLACK 9/16" LARGE HEAD SCREWS (1S).

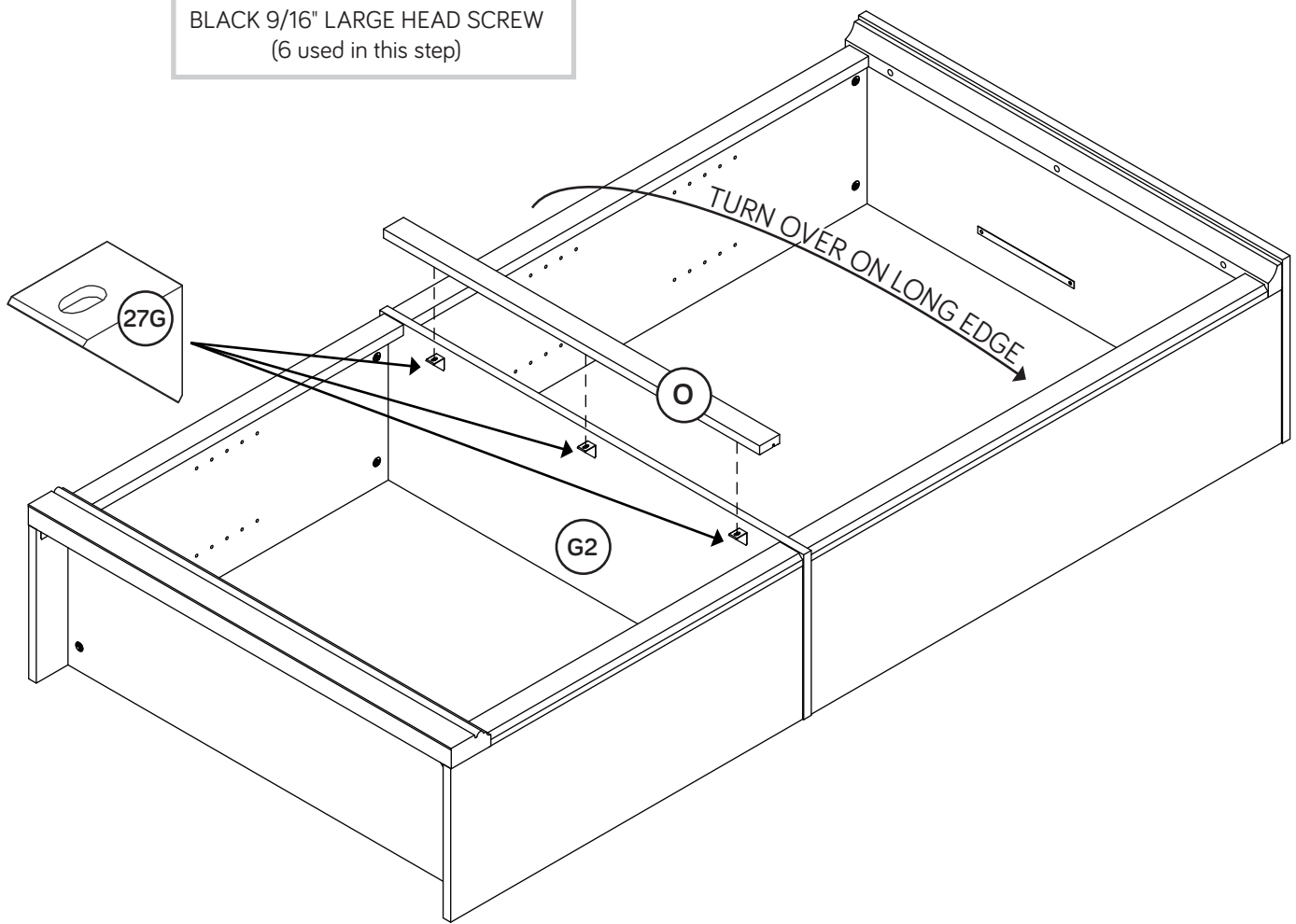
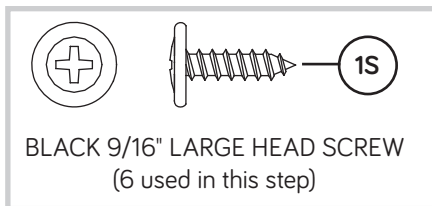


Step 9

- Fasten three ANGLE BRACKETS (27G) to the SHELF (G2). Use three BLACK 9/16" LARGE HEAD SCREWS (1S).
- Fasten the SKIRT (O) to the SHELF (G2). Use three BLACK 9/16" LARGE HEAD SCREWS (1S).
- NOTE:** There are no pre-drilled holes in the SKIRT. The SCREWS will tighten into the groove.
- Carefully turn your unit over onto its front edges.



Do not stand the unit upright without the BACK fastened. The unit may collapse.



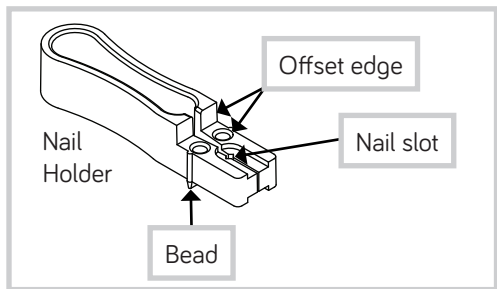
Step 10

- ✚ Unfold the LARGE BACK (H2) and lay it over your unit.
- ✚ Make equal margins along all four edges of the LARGE BACK (H2). Push on opposite corners of your unit if needed to make it "square".
- ✚ A perforation in the LARGE BACK (H2) has been provided for access to the SAFETY STRAP. Punch out the perforation and push the SAFETY STRAP through the hole.
- ✚ Fasten the LARGE BACK (H2) to three edges of your unit using the NAILS (1N). We have provided a Nail Holder tool to use in this step for proper positioning of the NAILS. Please refer to the parts of the Nail Holder as the bead, offset edge, and nail slot as shown in the diagrams below
- ✚ Diagram 1. Place the offset edge of the Nail Holder down. The NAILS should be 5-1/2" apart, 1-1/2" from the corners. and be sure the NAILS are 1/2" from each fold line in the BACK. Place a NAIL (1N) into the nail slot of the Nail Holder. Tap the NAIL through the BACK and into lower edge of the END shown. Remove the Nail Holder from the NAIL and completely tap the NAIL in with your hammer. Repeat this to tap the remaining NAILS in the top and side edges of the BACK.
- ✚ **NOTE:** Do not tap nails into the bottom edge of the LARGE BACK at this time.

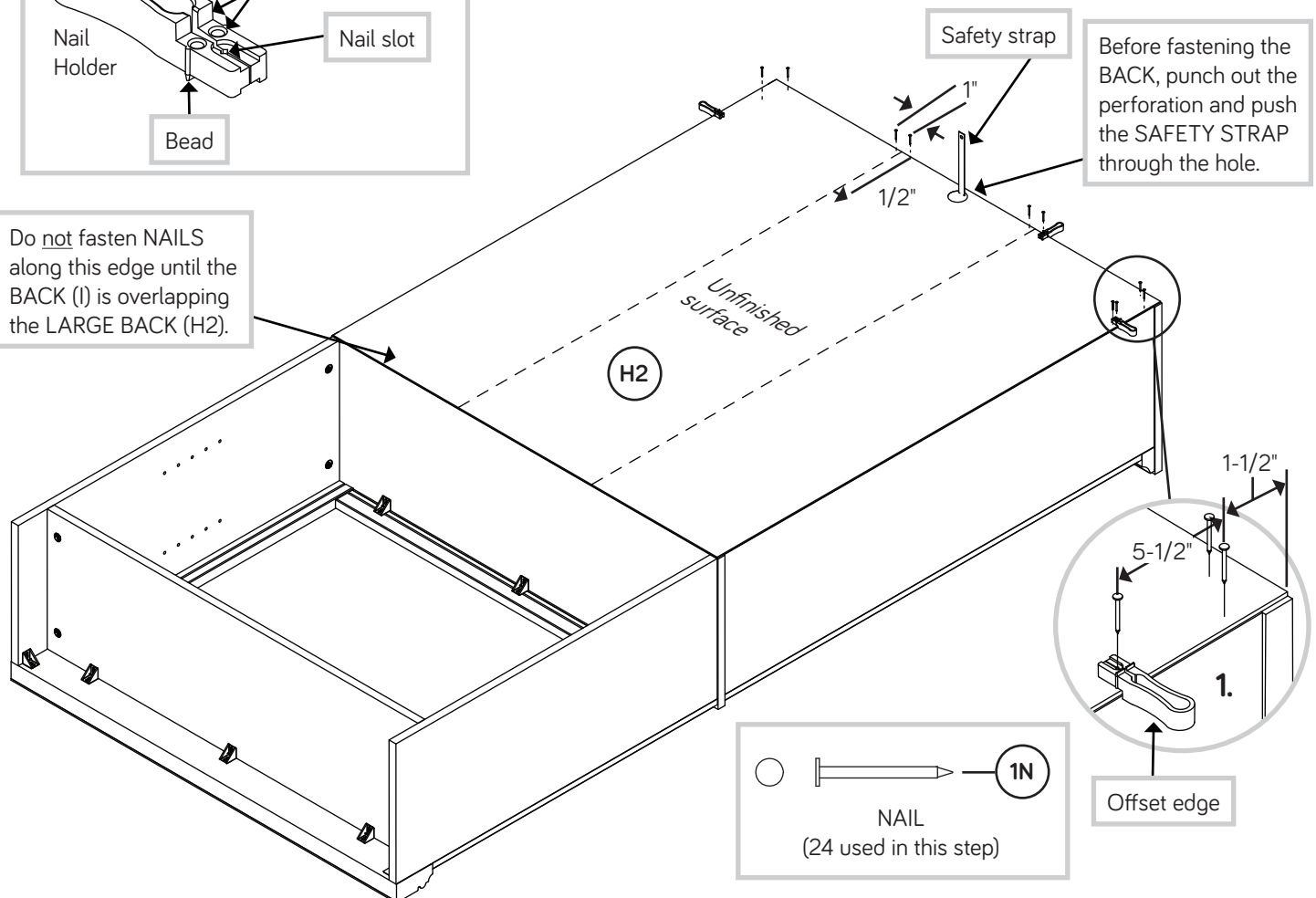


Caution

Do not stand the unit upright without the BACK fastened. The unit may collapse.

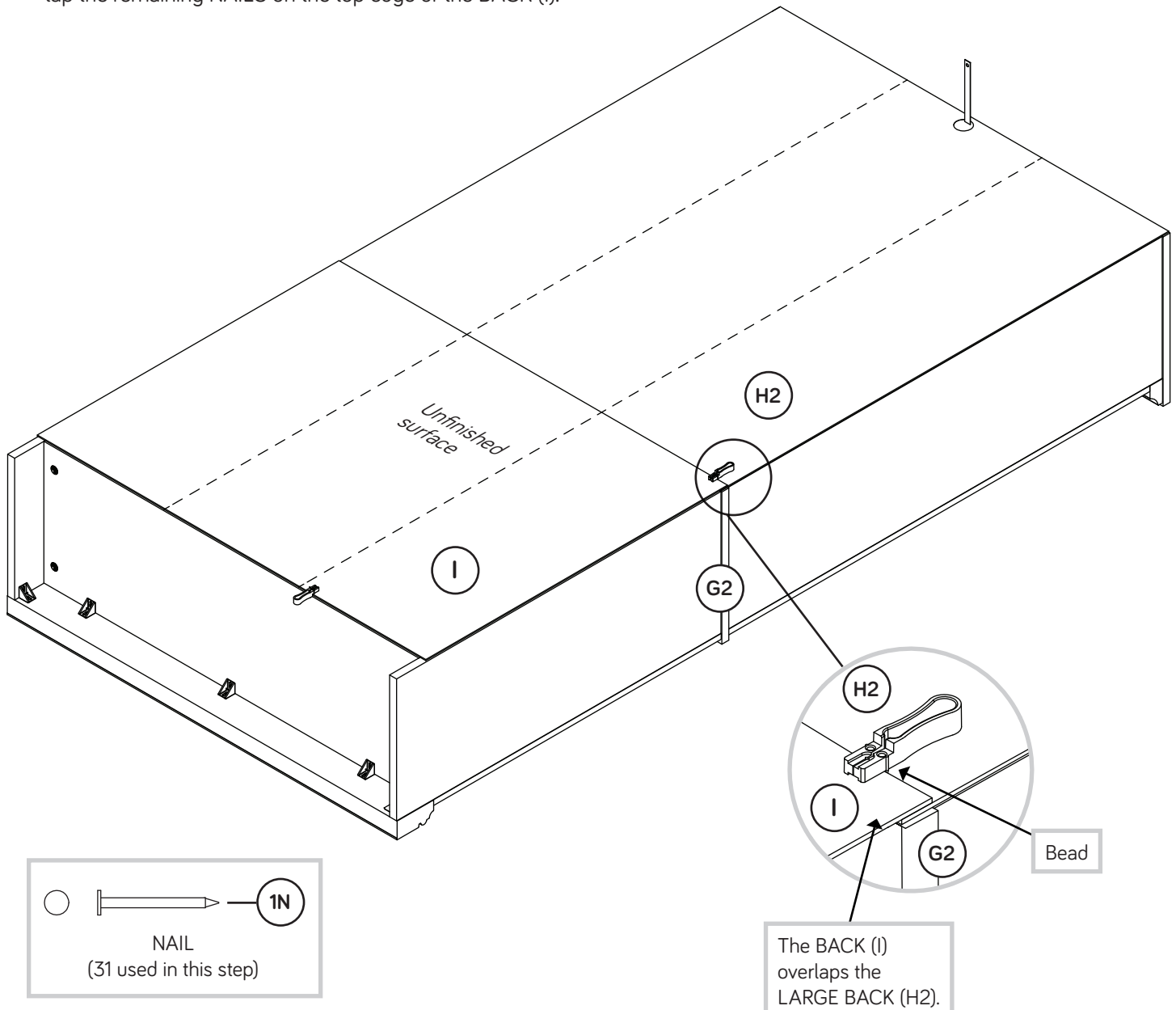


Do not fasten NAILS along this edge until the BACK (1) is overlapping the LARGE BACK (H2).



Step 11

- ✚ Position the BACK (I) over the lower portion of your unit, making equal margins along the bottom and side edges.
- ✚ Fasten the BACK (I) to the bottom and side edges of your unit using the NAILS (1N) using the Nail Holder tool as shown in the previous step.
- ✚ **NOTE:** The BACK (I) will overlap the LARGE BACK (H2) as shown in the enlarged diagram.
- ✚ Fasten the BACK and LARGE BACK to the SHELF (G2) using the remaining NAILS (1N), by following the enlarged diagram below.
- ✚ **Diagram:** Place the bead of the Nail Holder down onto the LARGE BACK (H2) and BACK (I). Place a NAIL into the nail slot of the Nail Holder. Tap the nail through the BACKS (H2 and I). Repeat this to tap the remaining NAILS on the top edge of the BACK (I).



Step 12

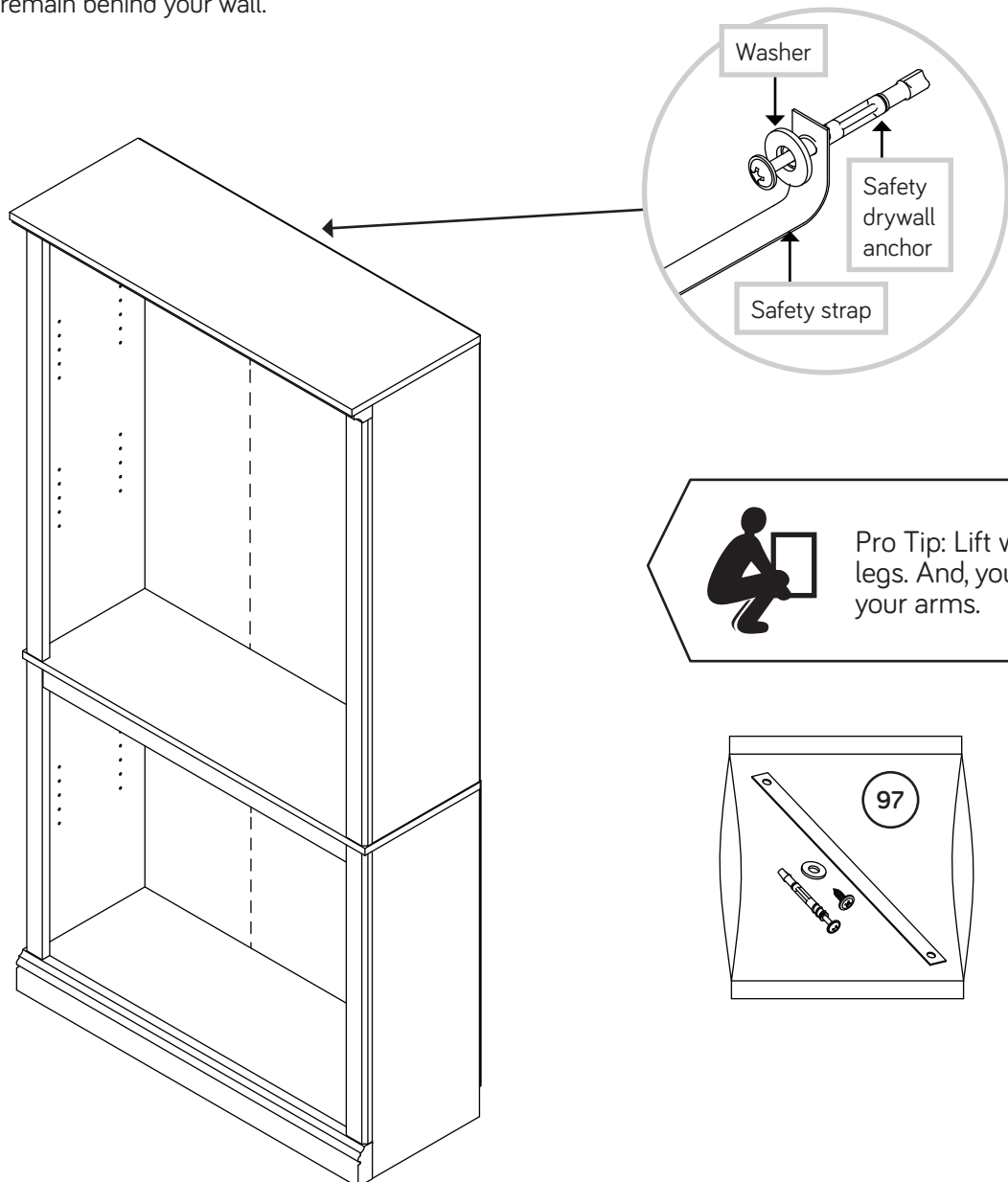
🔩 Carefully stand your unit upright in its final position against a wall.

🔩 **NOTE:** Do not turn the SAFETY DRYWALL ANCHOR into a wall stud. If you prefer to fasten the SAFETY STRAP to a wall stud, go to your local hardware store for proper hardware.

🔩 **INSTALLATION INSTRUCTIONS:**

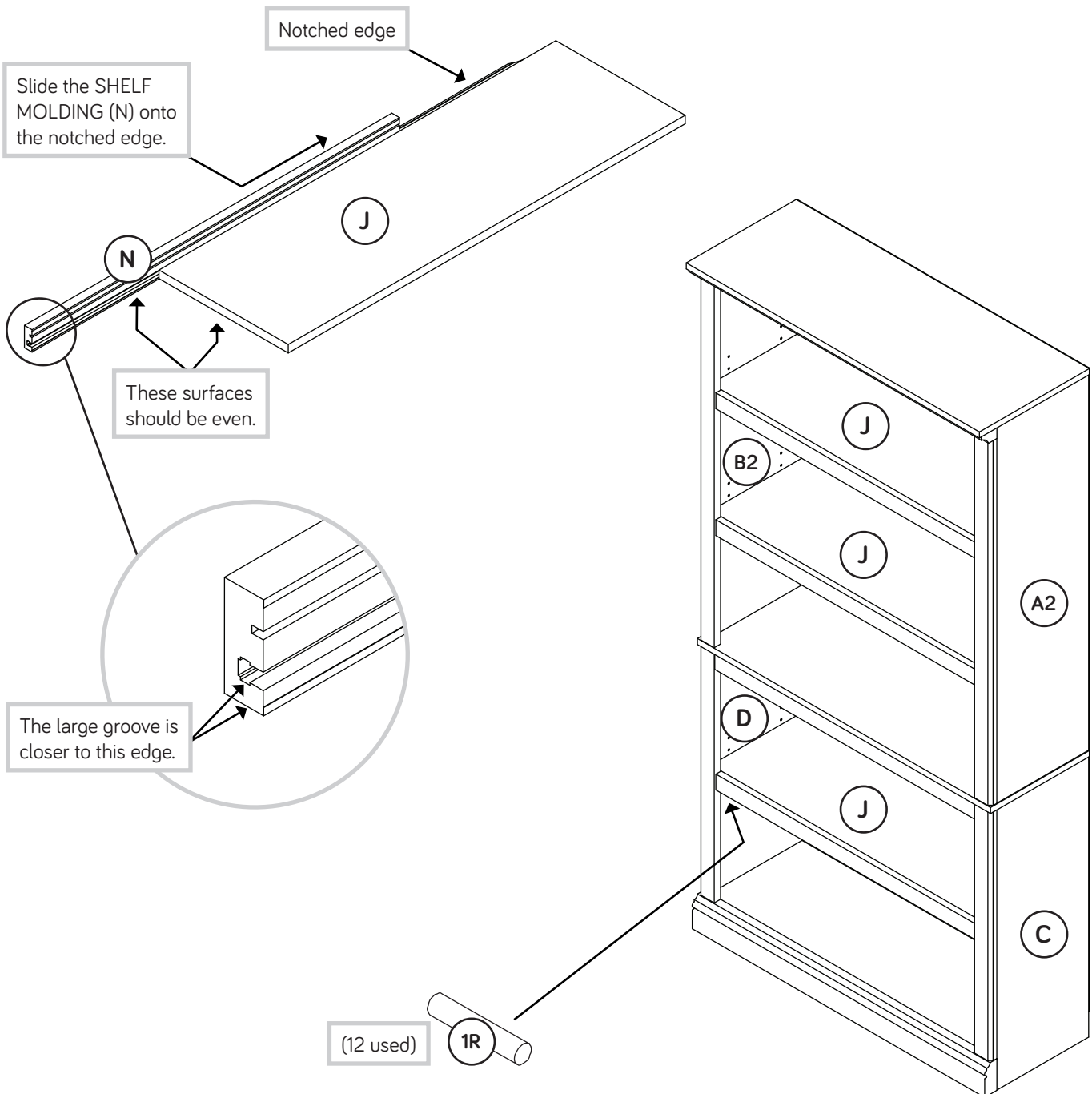
1. Insert the SAFETY DRYWALL ANCHOR through the WASHER and the end of the SAFETY STRAP.
2. Using a Phillips screwdriver or a hand drill, press the screw slightly onto the drywall just below the top surface of your unit so the SAFETY STRAP will not be visible.
3. Apply pressure; turn the screw until a pilot hole is made and the nylon sheath slips through.
4. Turn the screw until it is flush against the wall and you feel a firm resistance.
5. Continue to turn until the screw starts spinning freely.

🔩 **NOTE:** Before moving your unit to a different location, unscrew the SAFETY DRYWALL ANCHOR from your wall. The nylon sheath will remain behind your wall.



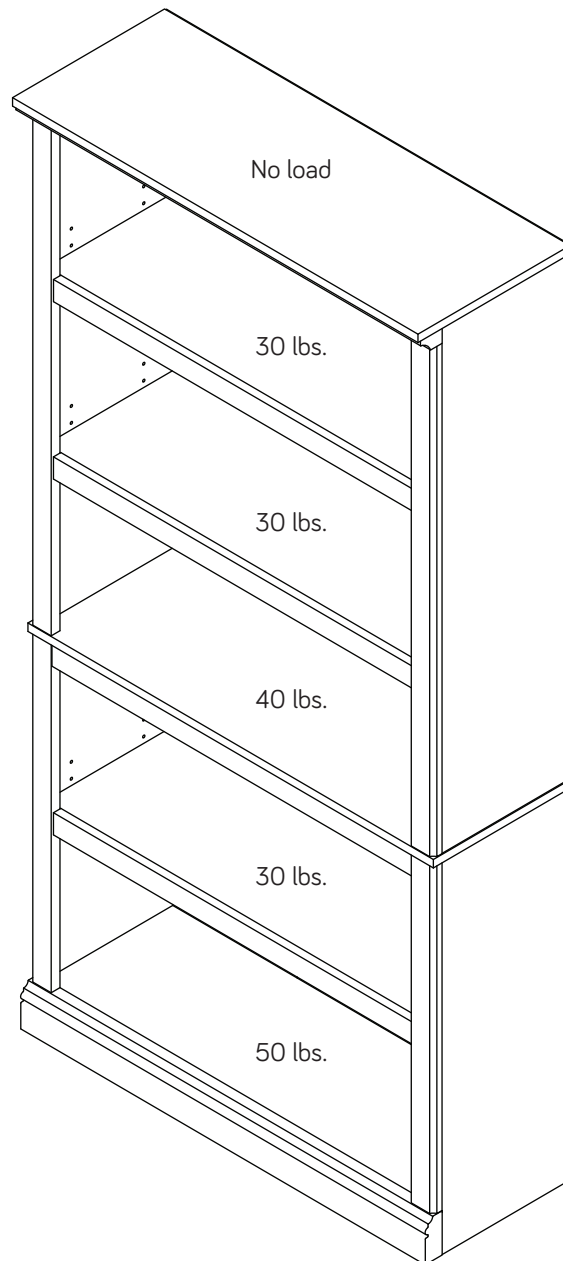
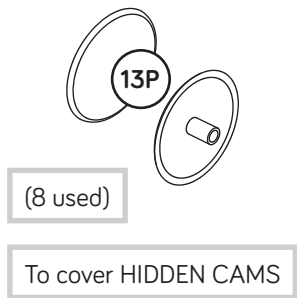
Step 13

- Slide and center a SHELF MOLDING* (N) onto the notched edge of one of the ADJUSTABLE SHELVES (J).
- Repeat this step for the other ADJUSTABLE SHELVES (J).
- * U.S. Patent No. 5,499,886
- Insert the METAL PINS (1R) into the hole locations of your choice in the ENDS (A2 and B2) and LOWER ENDS (C and D). Set the ADJUSTABLE SHELVES (J) onto the METAL PINS.



Step 14

- ✚ Using your hammer, gently tap a CAM COVER (13P) onto each visible HIDDEN CAM.
- ✚ NOTE: Please read the back pages of the instruction booklet for important safety information.
- ✚ This completes assembly. Clean with a damp cloth. Wipe dry.



⚠ WARNING

Please use your furniture correctly and safely. Improper use can cause safety hazards, or damage to your furniture or household items. ***Carefully read the following chart.***

Look out for:	What can happen:	How to avoid the problem:
<ul style="list-style-type: none"> Overloaded shelves. Improper loading can cause the product to be top-heavy. 	<ul style="list-style-type: none"> Risk of injury. Top-heavy furniture can tip over. Overloaded shelves can break. 	<ul style="list-style-type: none"> Never exceed the weight limits shown in the instructions. Work from bottom to top when loading shelves. Place the heavier items on the lower shelves.
<ul style="list-style-type: none"> Improperly moving furniture that is not designed and equipped with casters. 	<ul style="list-style-type: none"> Furniture can tip over or break if improperly moved. Physical injury. Furniture can be very heavy. 	<ul style="list-style-type: none"> Unload shelves from top to bottom before moving the furniture. Do not push furniture, especially on a carpeted floor. Have a friend help you lift the item and set it in place. This unit must be positioned against a wall.
<ul style="list-style-type: none"> Children climbing on the shelves can cause the product to tip. 	<ul style="list-style-type: none"> Risk of injury or death. 	<ul style="list-style-type: none"> Do not allow children to climb on the shelves. Avoid placing items like toys or candy on upper shelves. Use the supplied safety strap for added stability.
<ul style="list-style-type: none"> Placing TVs on furniture items that are not designed to support a television is hazardous. 	<ul style="list-style-type: none"> Risk of injury or death. TVs can be very heavy. Plus the weight and location of the picture tube tends to make TVs unbalanced and prone to tipping forward. 	<ul style="list-style-type: none"> This product is not designed to support a television.