

The stories of your life.

3-Shelf Bookcase

Barrister Home | Model 5420176

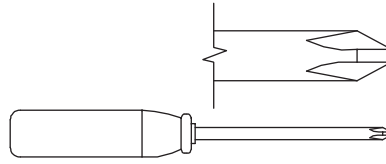
NOTE: THIS INSTRUCTION BOOKLET CONTAINS **IMPORTANT** SAFETY INFORMATION.

PLEASE READ AND KEEP FOR FUTURE REFERENCE.

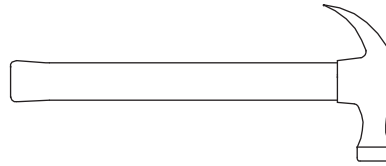
Table of Contents

Assembly Tools Required

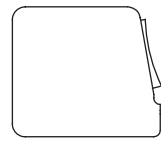
Part Identification	3
Hardware Identification	4
Assembly Steps	5-14
Safety	15



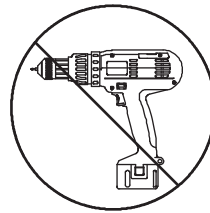
No. 2 Phillips Screwdriver
Tip Shown Actual Size



Hammer
Not actual size 😊



Tape Measure



Skip the power trip.
This time.

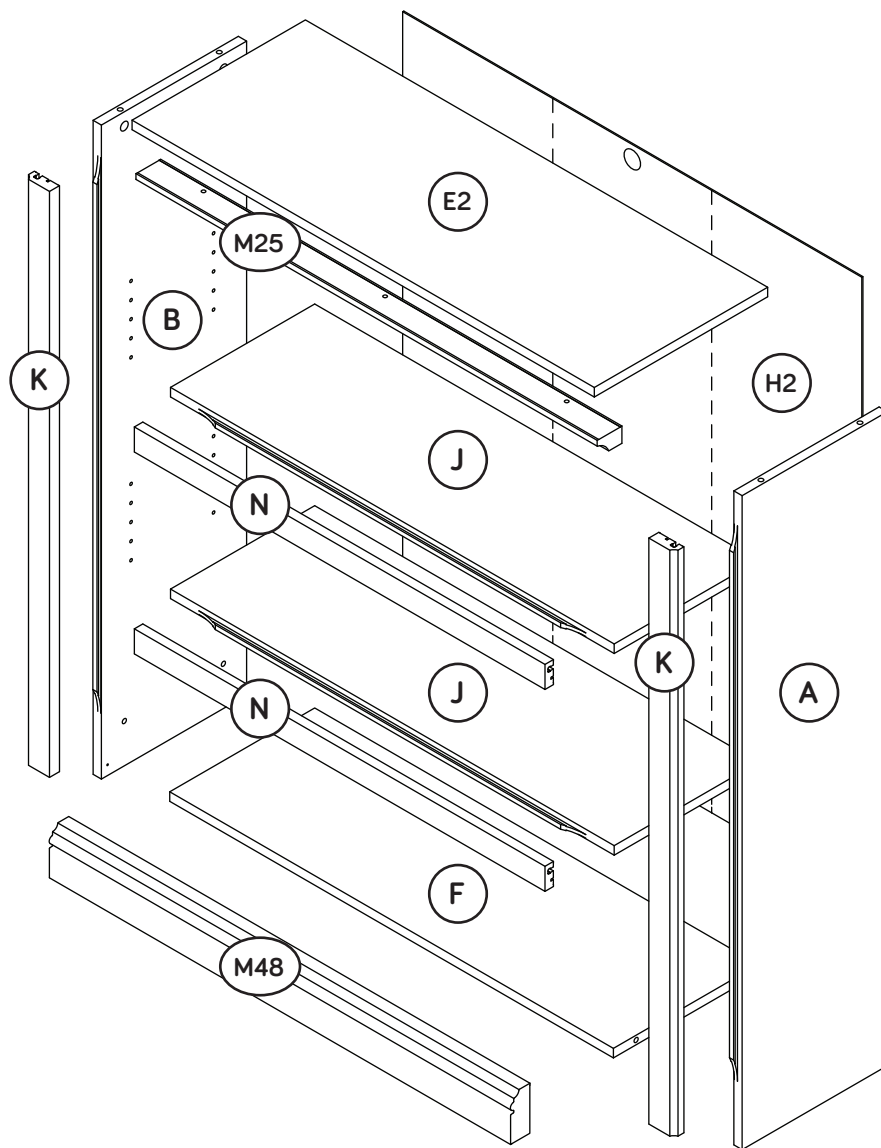
Part Identification

Now you know
our ABCs.



† While not all parts are labeled, some of the parts will have a label or an inked letter on the edge to help distinguish similar parts from each other. Use this part identification to help identify similar parts.

A	RIGHT END (1)	H2	BACK (1)	M48	BASE (1)
B	LEFT END (1)	J	ADJUSTABLE SHELF (2)	N	SHELF MOLDING (2)
E2	TOP (1)	K	END MOLDING (2)		
F	BOTTOM (1)	M25	TOP MOLDING (1)		



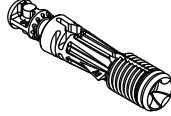
Hardware Identification

† Screws are shown actual size. You may receive extra hardware with your unit.

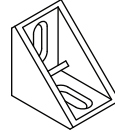
1F HIDDEN CAM - 8



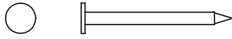
2F CAM DOWEL - 8



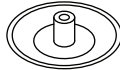
27G ANGLE BRACKET - 5



1N NAIL - 30



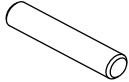
13P CAM COVER - 4



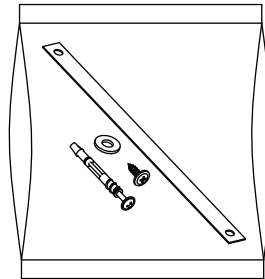
14P HOLE PLUG - 3



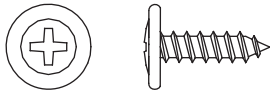
1R METAL PIN - 8



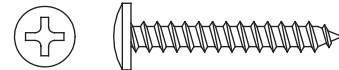
97 FURNITURE TIPPING RESTRAINT KIT - 1



1S BLACK 9/16" LARGE HEAD SCREW - 10

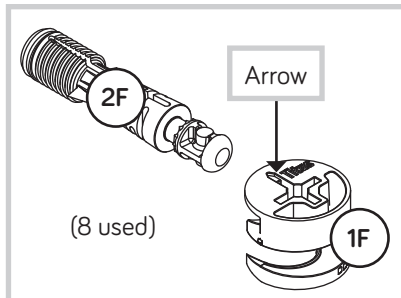


9S BLACK 1-1/8" PAN HEAD SCREW - 3

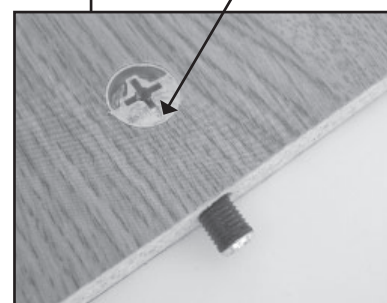
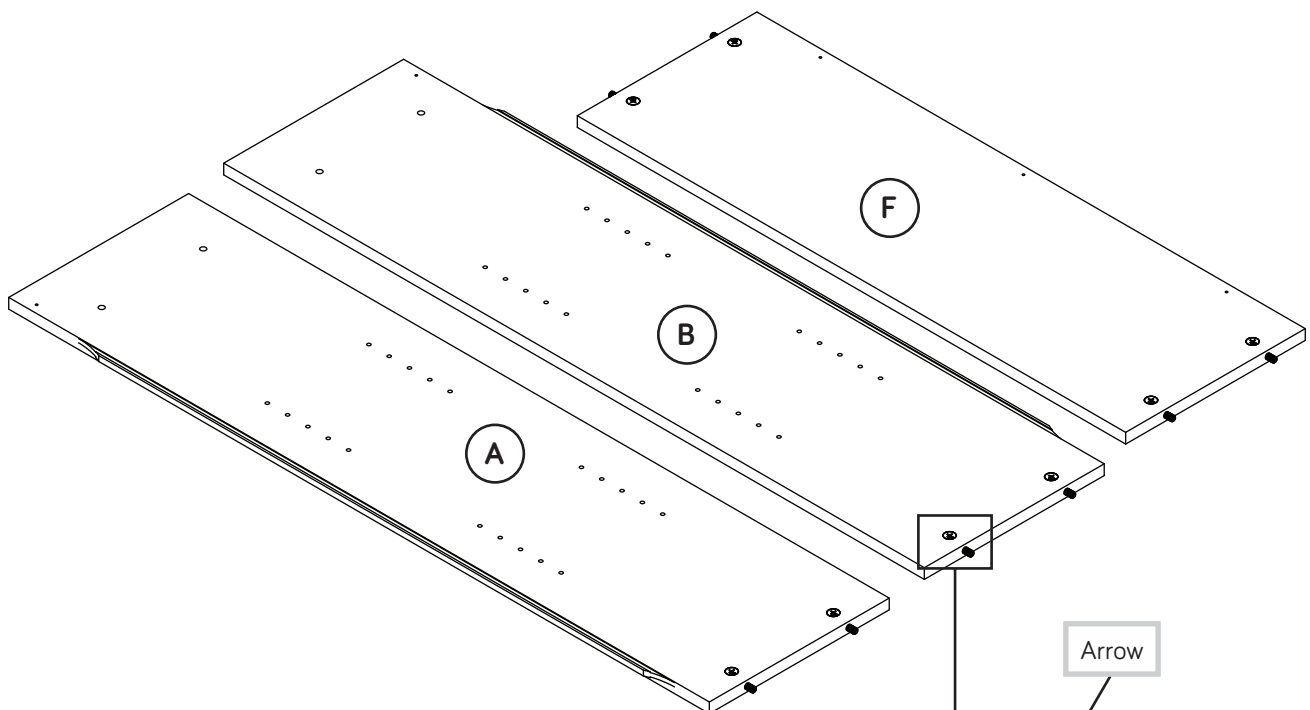


Step 1

- ✦ Assemble your unit on a carpeted floor or on the empty carton to avoid scratching your unit or the floor.
- ✦ Push eight HIDDEN CAMS (1F) into the ENDS (A and B) and BOTTOM (F). Then insert the metal end of a CAM DOWEL (2F) into each HIDDEN CAM.



Do not tighten the HIDDEN CAMS in this step.



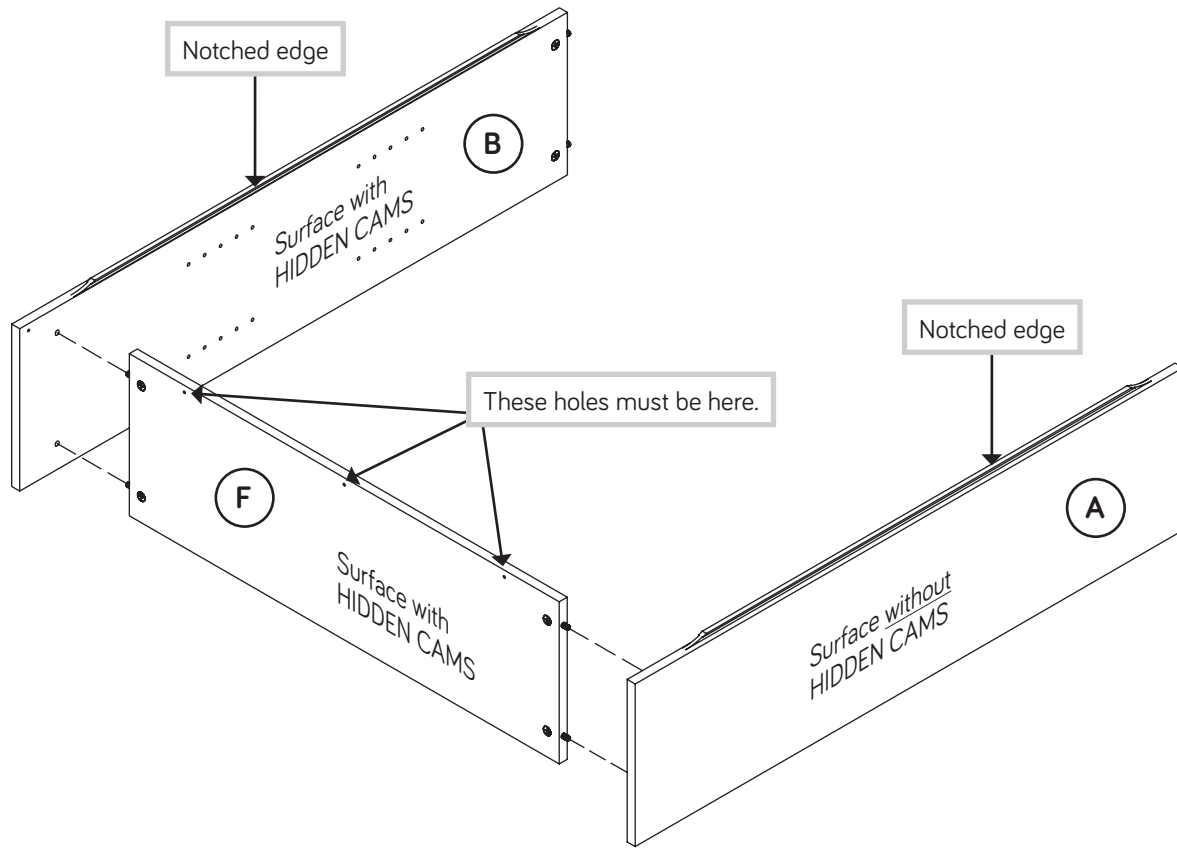
Insert the metal end of the CAM DOWEL into the HIDDEN CAM.

Step 2

Fasten the ENDS (A and B) to the BOTTOM (F). Tighten four HIDDEN CAMS.

Caution

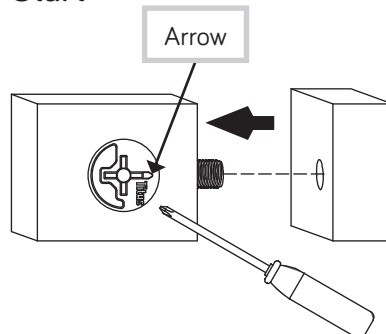
Do not stand the unit upright without the BACK fastened. The unit may collapse.



Caution

Risk of damage or injury. HIDDEN CAMS must be completely tightened. HIDDEN CAMS that are not completely tightened may loosen, and parts may separate. To completely tighten:

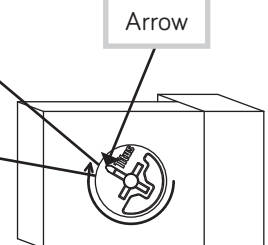
Start



Tighten

Maximum 210 degrees

Minimum 190 degrees

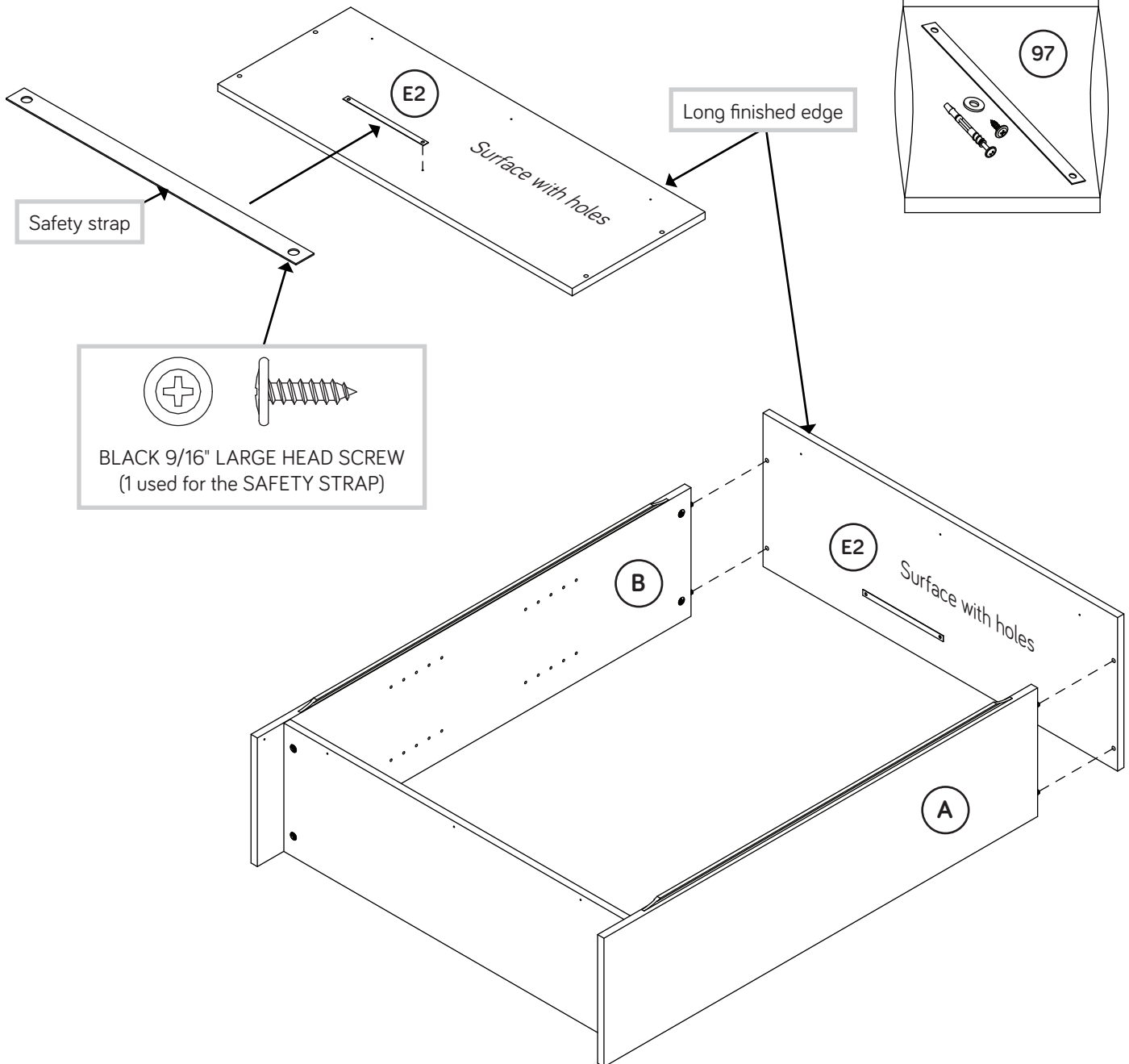
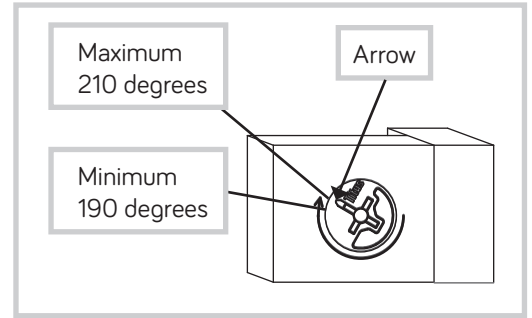


Step 3

🔧 Open the FURNITURE TIPPING RESTRAINT KIT (97) and fasten the SAFETY STRAP to the TOP (E2). Use the provided BLACK 9/16" LARGE HEAD SCREW.

🔧 NOTE: Position the SAFETY STRAP exactly as shown.

🔧 Fasten the TOP (E2) to the ENDS (A and B). Tighten four HIDDEN CAMS.

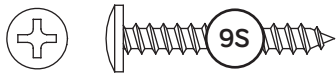


Step 4

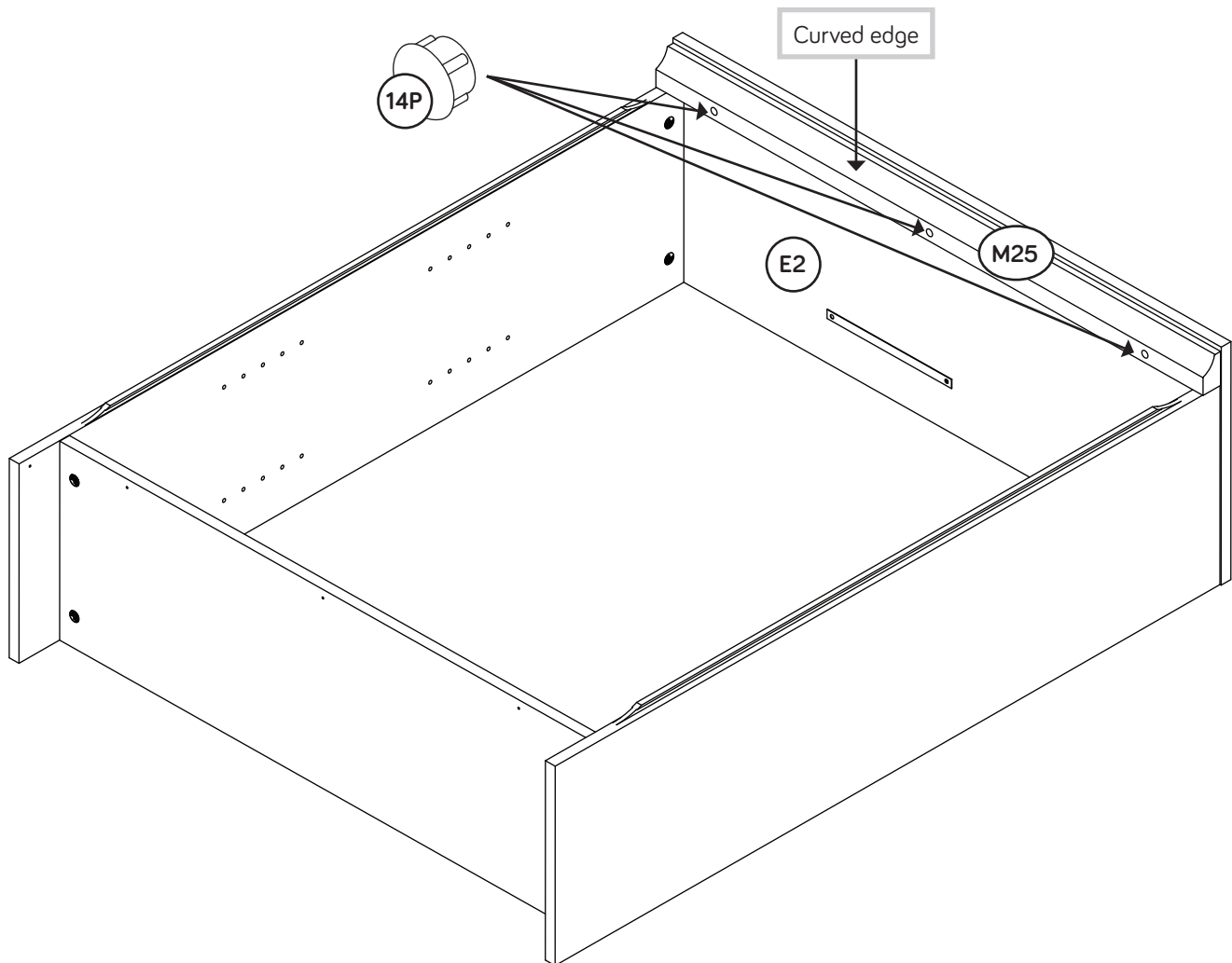
- ✚ Fasten the TOP MOLDING (M25) to the TOP (E2). Use three BLACK 1-1/8" PAN HEAD SCREWS (9S).
- ✚ NOTE: Do not overtighten the SCREWS into the TOP.
- ✚ Insert three HOLE PLUGS (14P) into the holes in the TOP MOLDING (M25).



Remember:
Righty tighty.
Lefty loosey.



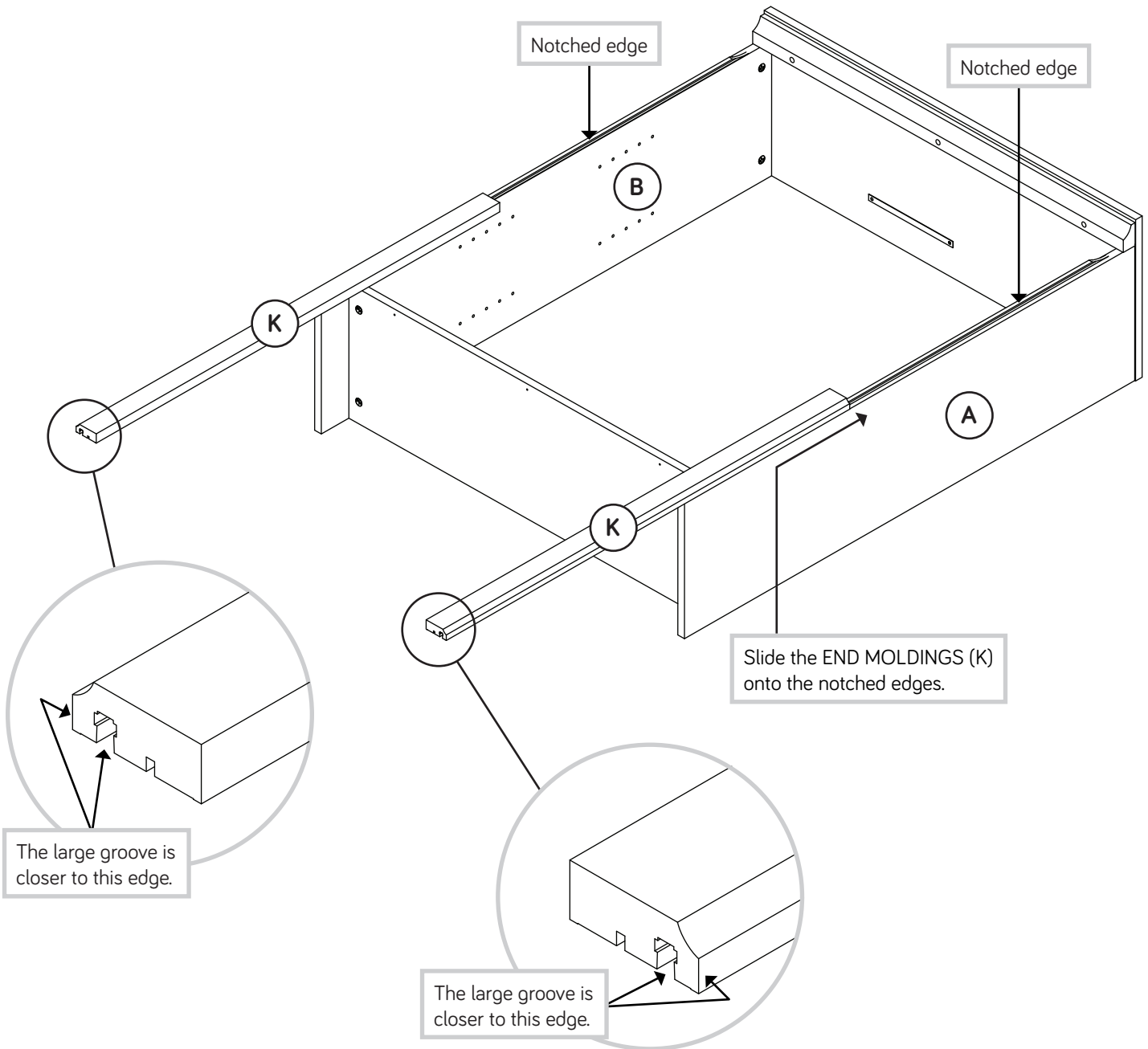
BLACK 1-1/8" PAN HEAD SCREW
(3 used in this step)



Step 5

🔌 Slide the END MOLDINGS* (K) onto the notched edges of the ENDS (A and B).

🔌 *U.S. Patent No. 5,499,886

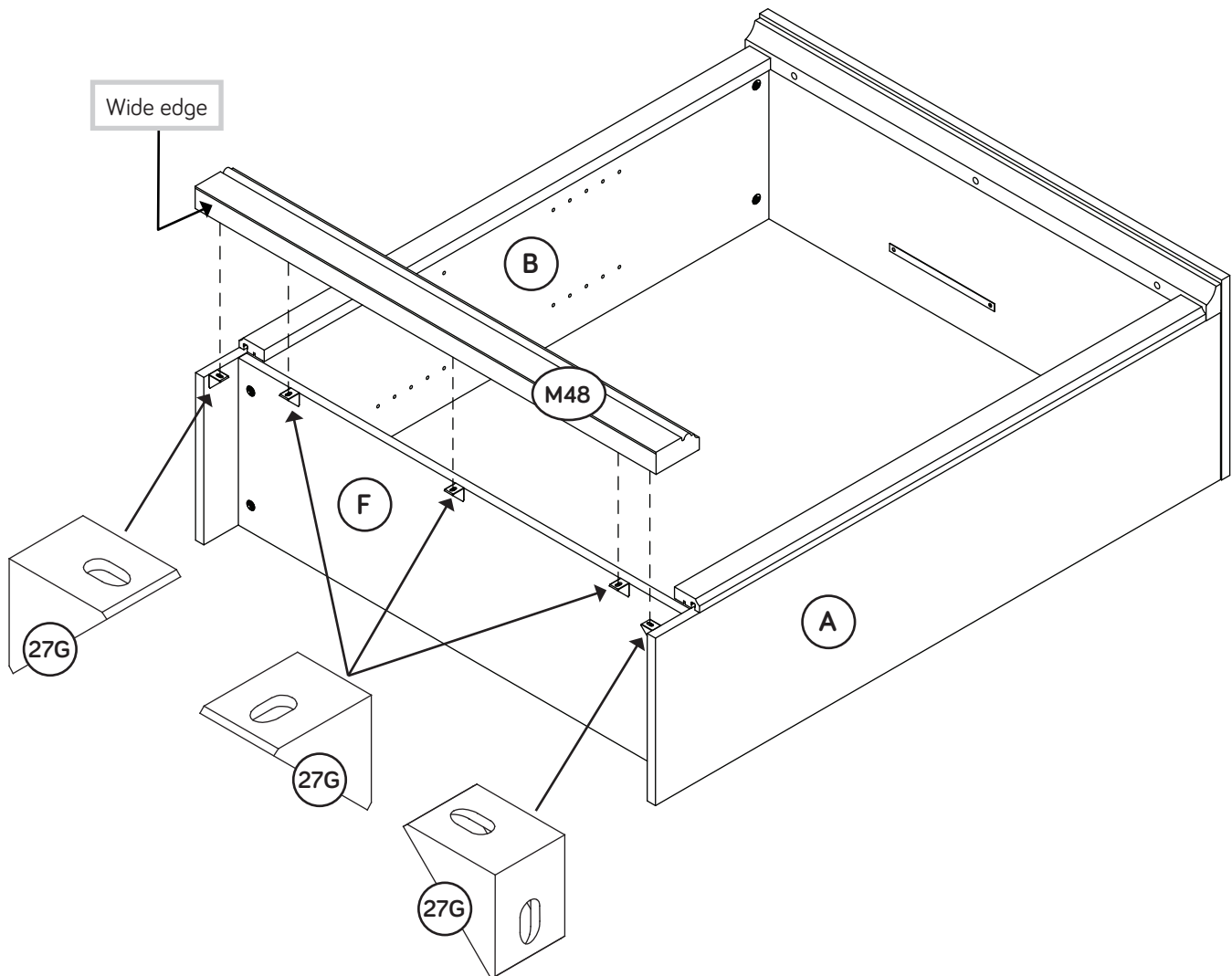
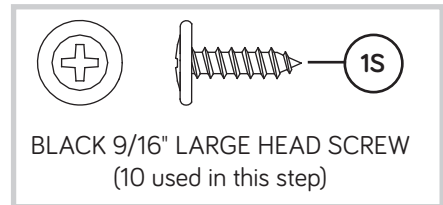


Step 6

Fasten five ANGLE BRACKETS (27G) to the ENDS (A and B) and BOTTOM (F). Use five BLACK 9/16" LARGE HEAD SCREWS (1S).

NOTE: Be sure the edges of the ANGLE BRACKETS are even with the edges of the ENDS and BOTTOM.

Fasten the BASE (M48) to the ANGLE BRACKETS. Use five BLACK 9/16" LARGE HEAD SCREWS (1S).

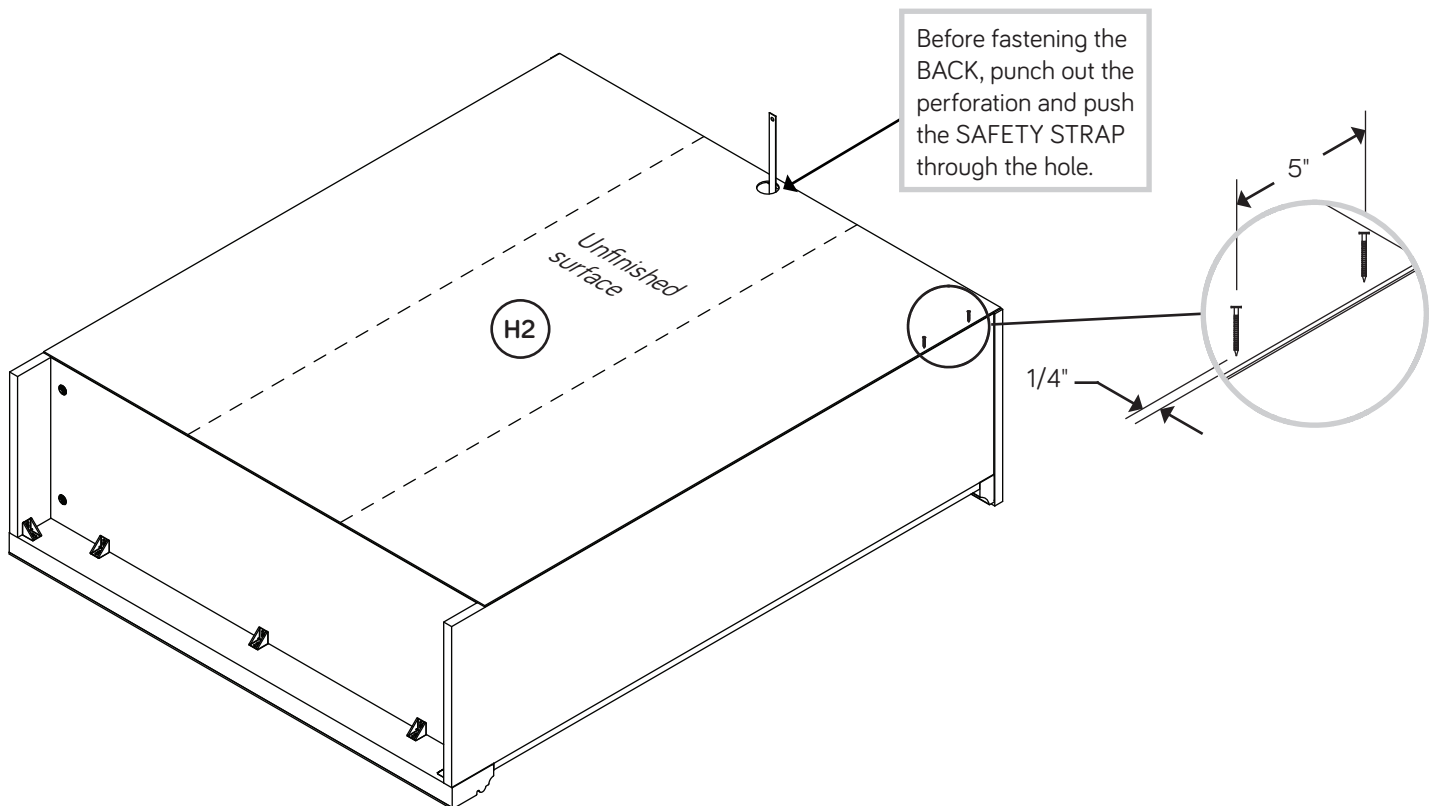
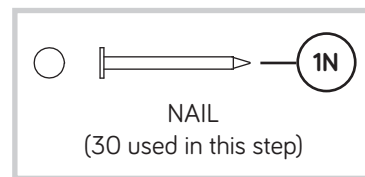


Step 7

- ✚ Carefully turn your unit over onto its front edges. Unfold the BACK (H2) and lay it over your unit.
- ✚ A perforation in the BACK (H2) has been provided for access to the SAFETY STRAP. Punch out the perforation and push the SAFETY STRAP through the hole.
- ✚ Make equal margins along all four edges of the BACK (H2). Push on opposite corners of your unit if needed to make it "square".
- ✚ Fasten the BACK (H2) to your unit using the NAILS (1N). The NAILS should be 5" apart and 1/4" in from the edges.



Do not stand the unit upright without the BACK fastened. The unit may collapse.



Step 8

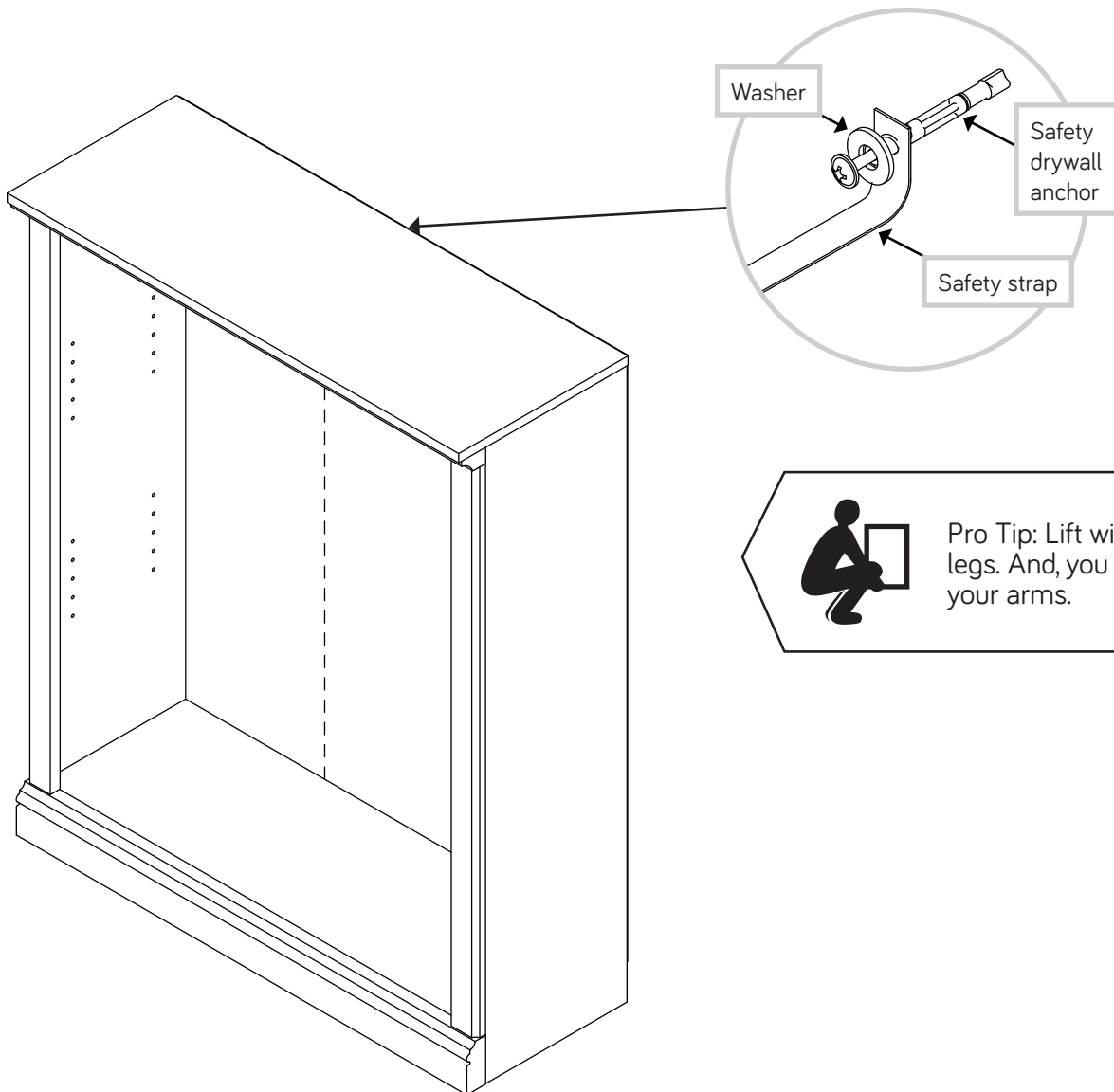
🔧 Carefully stand your unit upright in its final position against a wall.

🔧 **NOTE:** Do not turn the SAFETY DRYWALL ANCHOR (61M) into a wall stud. If you prefer to fasten the SAFETY STRAP to a wall stud, go to your local hardware store for proper hardware.

🔧 **INSTALLATION INSTRUCTIONS:**

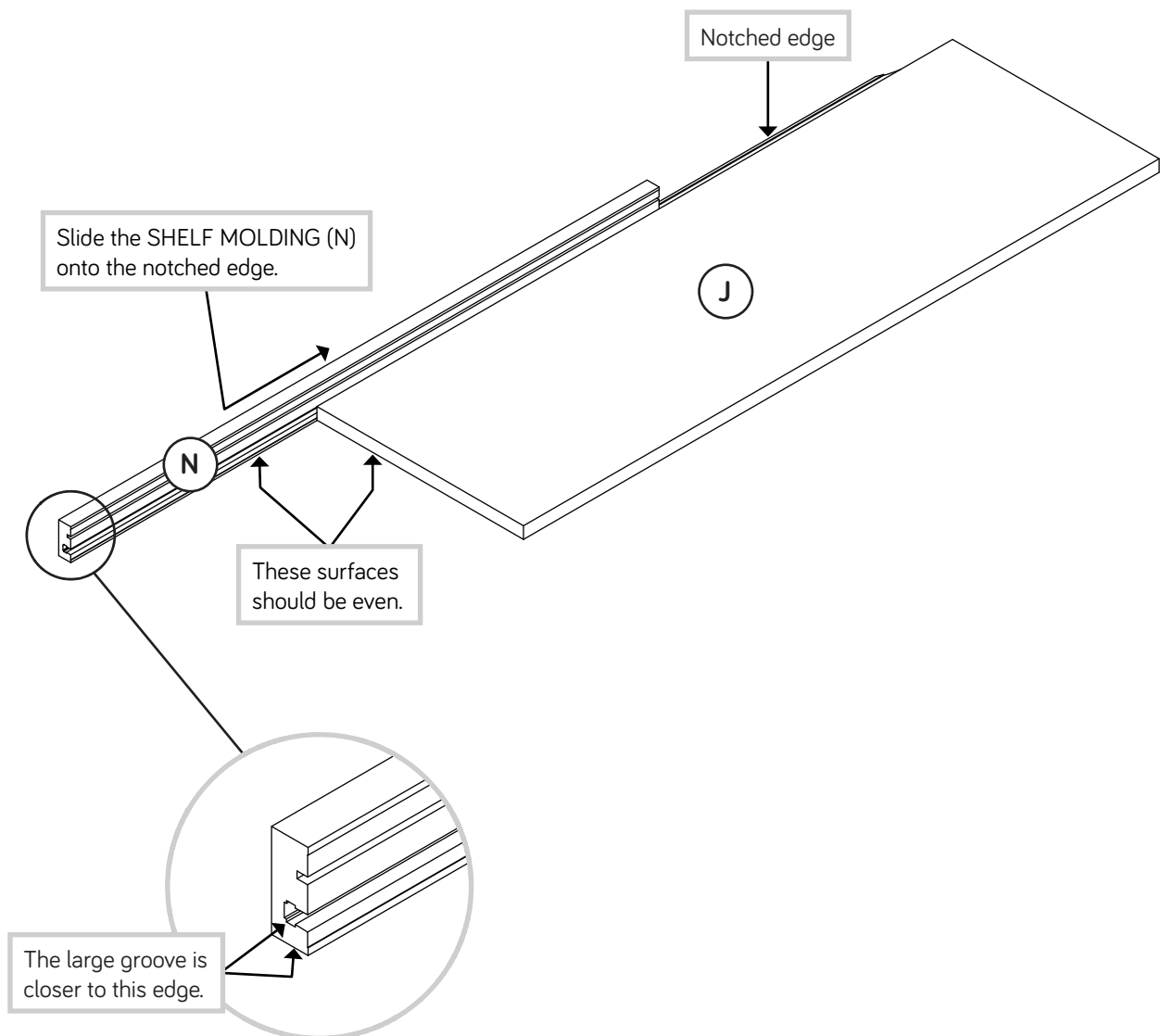
1. Insert the SAFETY DRYWALL ANCHOR through the WASHER and the end of the SAFETY STRAP.
2. Using a Phillips screwdriver or a hand drill, press the screw slightly onto the drywall just below the top surface of your unit so the SAFETY STRAP will not be visible.
3. Apply pressure; turn the screw until a pilot hole is made and the nylon sheath slips through.
4. Turn the screw until it is flush against the wall and you feel a firm resistance.
5. Continue to turn until the screw starts spinning freely.

🔧 **NOTE:** Before moving your unit to a different location, unscrew the SAFETY DRYWALL ANCHOR from your wall. The nylon sheath will remain behind your wall.



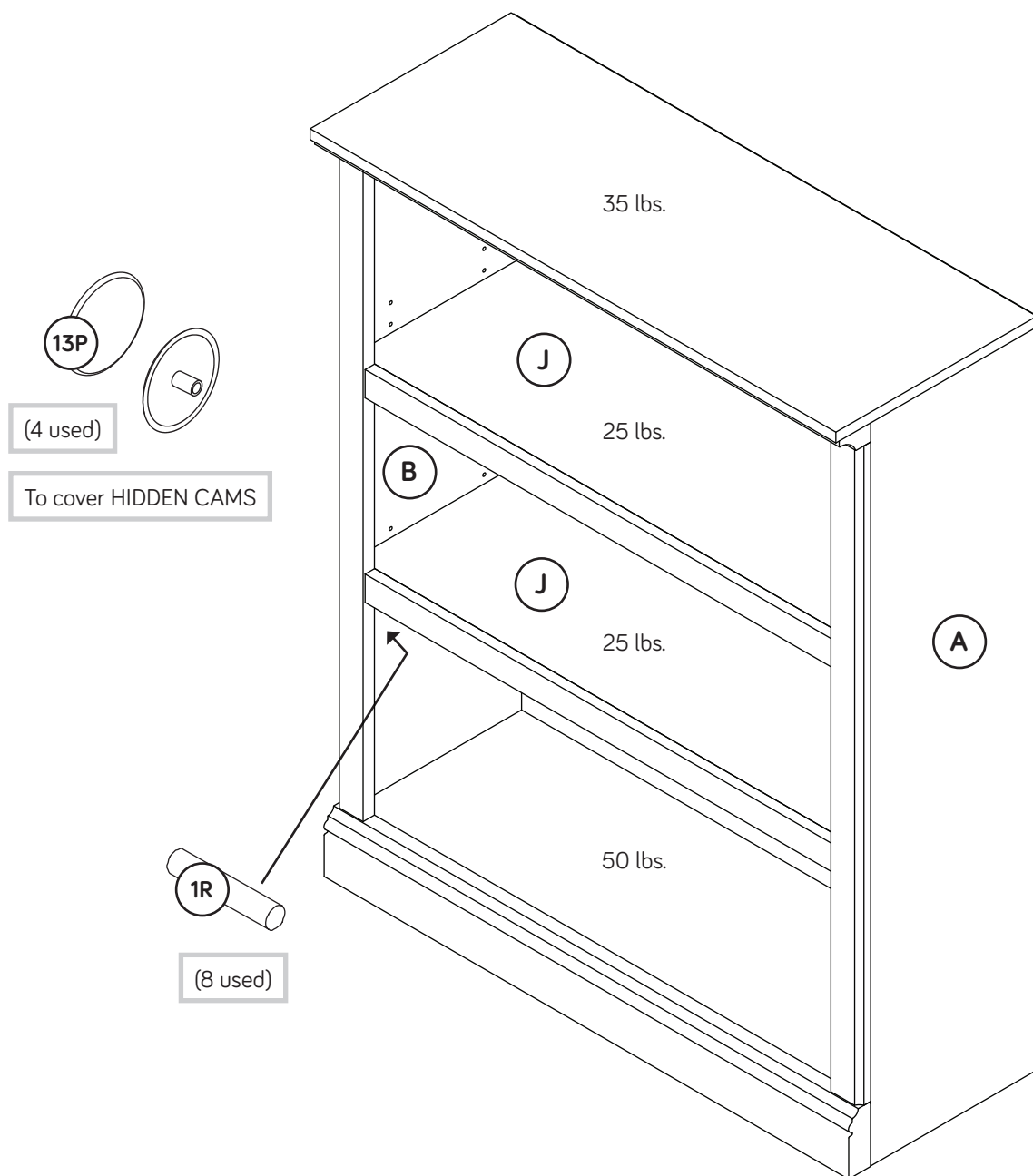
Step 9

- Slide a SHELF MOLDING* (N) onto the notched edge of each ADJUSTABLE SHELF (J).
- Repeat this step for the other ADJUSTABLE SHELF (J).
- * U.S. Patent No. 5,499,886



Step 10

- ✚ Insert the METAL PINS (1R) into the hole locations of your choice in the ENDS (A and B). Set the ADJUSTABLE SHELVES (J) onto the METAL PINS.
- ✚ Using your hammer, gently tap a CAM COVER (13P) onto each visible HIDDEN CAM.
- ✚ **NOTE:** Please read the back pages of the instruction booklet for important safety information.
- ✚ This completes assembly. Clean with a damp cloth. Wipe dry.



⚠ WARNING

Please use your furniture correctly and safely. Improper use can cause safety hazards, or damage to your furniture or household items. **Carefully read the following chart.**

Look out for:	What can happen:	How to avoid the problem:
<ul style="list-style-type: none"> Overloaded shelves. Improper loading can cause the product to be top-heavy. 	<ul style="list-style-type: none"> Risk of injury. Top-heavy furniture can tip over. Overloaded shelves can break. 	<ul style="list-style-type: none"> Never exceed the weight limits shown in the instructions. Work from bottom to top when loading shelves. Place the heavier items on the lower shelves.
<ul style="list-style-type: none"> Improperly moving furniture that is not designed and equipped with casters. 	<ul style="list-style-type: none"> Furniture can tip over or break if improperly moved. Physical injury. Furniture can be very heavy. 	<ul style="list-style-type: none"> Unload shelves from top to bottom before moving the furniture. Do not push furniture, especially on a carpeted floor. Have a friend help you lift the item and set it in place. This unit must be positioned against a wall.
<ul style="list-style-type: none"> Children climbing on the shelves can cause the product to tip. 	<ul style="list-style-type: none"> Risk of injury or death. 	<ul style="list-style-type: none"> Do not allow children to climb on the shelves. Avoid placing items like toys or candy on upper shelves. Use the supplied safety strap for added stability.
<ul style="list-style-type: none"> Placing TVs on furniture items that are not designed to support a television is hazardous. 	<ul style="list-style-type: none"> Risk of injury or death. TVs can be very heavy. Plus the weight and location of the picture tube tends to make TVs unbalanced and prone to tipping forward. 	<ul style="list-style-type: none"> This product is not designed to support a television.