



Sweet stand.  
Sweet dreams.

# Barrister Home Night Stand

Barrister Home Collection | Model 5418705

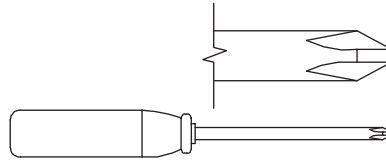
**NOTE:** THIS INSTRUCTION BOOKLET CONTAINS **IMPORTANT** SAFETY INFORMATION.

PLEASE READ AND KEEP FOR FUTURE REFERENCE.

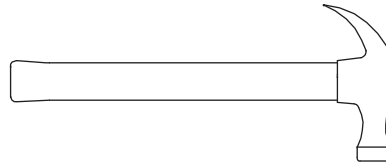
# Table of Contents

# Assembly Tools Required

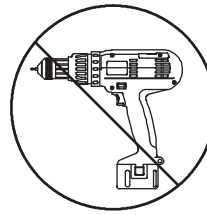
Part Identification	3
Hardware Identification	4-5
Assembly Steps	6-23
Français	24-26
Español	27-29
Safety	30
Warranty	31



No. 2 Phillips Screwdriver  
Tip Shown Actual Size



Hammer  
Not actual size 😊



Skip the power trip.  
This time.

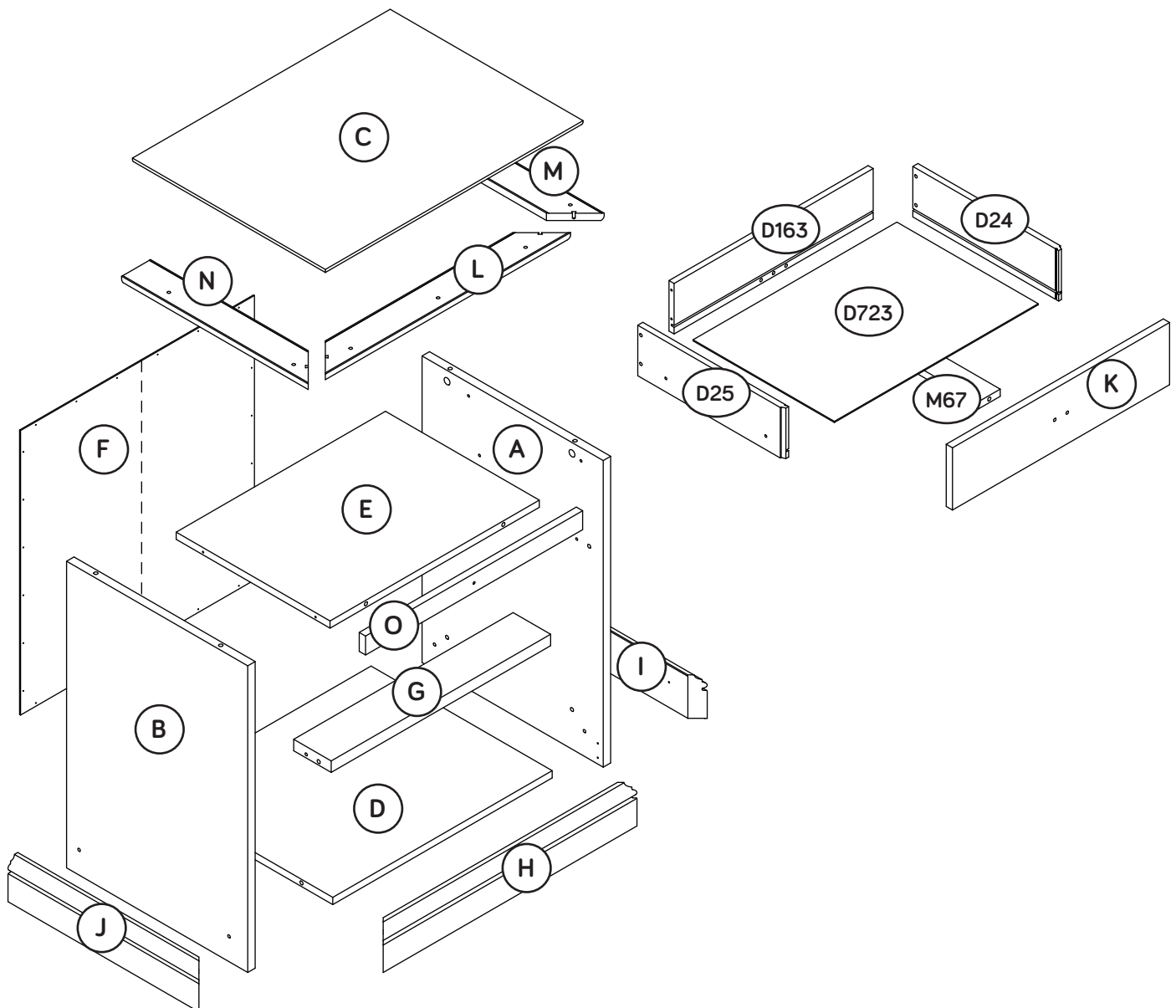
# Part Identification

Now you know  
our ABCs.



† While not all parts are labeled, some of the parts will have a label or an inked letter on the edge to help distinguish similar parts from each other. Use this part identification to help identify similar parts.

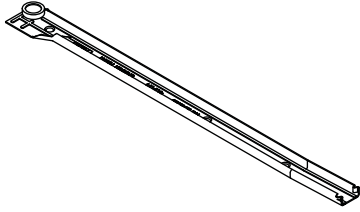
A	RIGHT END (1)	H	BASE (1)	O	SHELF MOLDING (1)
B	LEFT END (1)	I	RIGHT BASE (1)	D24	DRAWER RIGHT SIDE (1)
C	TOP (1)	J	LEFT BASE (1)	D25	DRAWER LEFT SIDE (1)
D	BOTTOM (1)	K	DRAWER FRONT (1)	D163	DRAWER BACK (1)
E	SHELF (1)	L	FRONT MOLDING (1)	D723	DRAWER BOTTOM (1)
F	BACK (1)	M	RIGHT MOLDING (1)	M67	DRAWER BRACE (1)
G	BRACE (1)	N	LEFT MOLDING (1)		



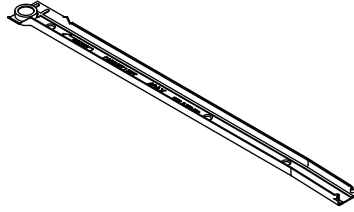
# Hardware Identification

† Screws are shown actual size. You may receive extra hardware with your unit.

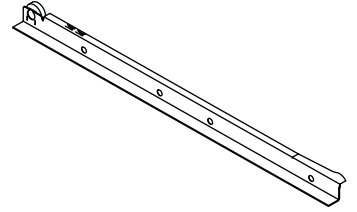
**40AW** CABINET RIGHT - 1



**40AX** CABINET LEFT - 1

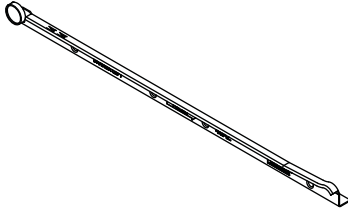


**40AY** DRAWER RIGHT - 1

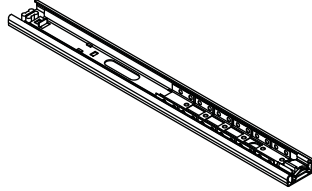


(EXTENSION SET SHOWN SEPARATED)

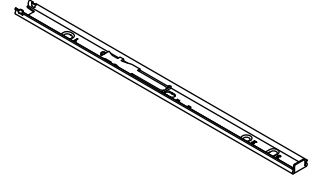
**40AZ** DRAWER LEFT - 1



**T** EXTENSION RAIL - 2



**U** EXTENSION SLIDE - 2



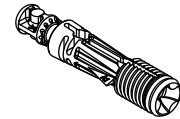
**10A** SLIDE CAM - 2



**1F** HIDDEN CAM - 13



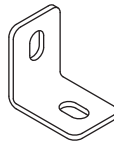
**2F** CAM DOWEL - 13



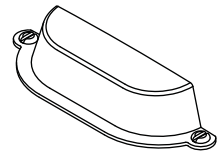
**19F** MOLDING CONNECTOR - 2



**4G** METAL BRACKET - 5



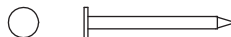
**70K** PULL - 1



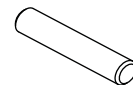
**71K** KNOB - 1



**1N** NAIL - 24



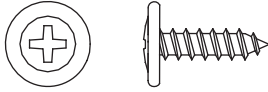
**1R** METAL PIN - 2



# Hardware Identification

† Screws are shown actual size. You may receive extra hardware with your unit.

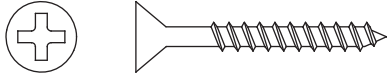
**1S** BLACK 9/16" LARGE HEAD SCREW - 10



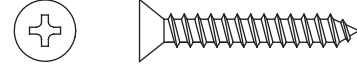
**3S** GOLD 5/16" FLAT HEAD SCREW - 12



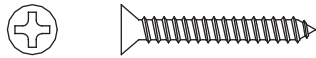
**7S** BLACK 1-1/4" FLAT HEAD SCREW - 4



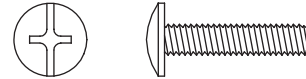
**10S** SILVER 1-1/8" FLAT HEAD SCREW - 7



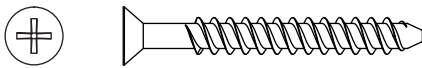
**18S** BROWN 1" FLAT HEAD SCREW - 4



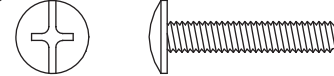
**20S** SILVER 3/4" MACHINE SCREW - 1



**30S** BLACK 1-9/16" FLAT HEAD SCREW - 5



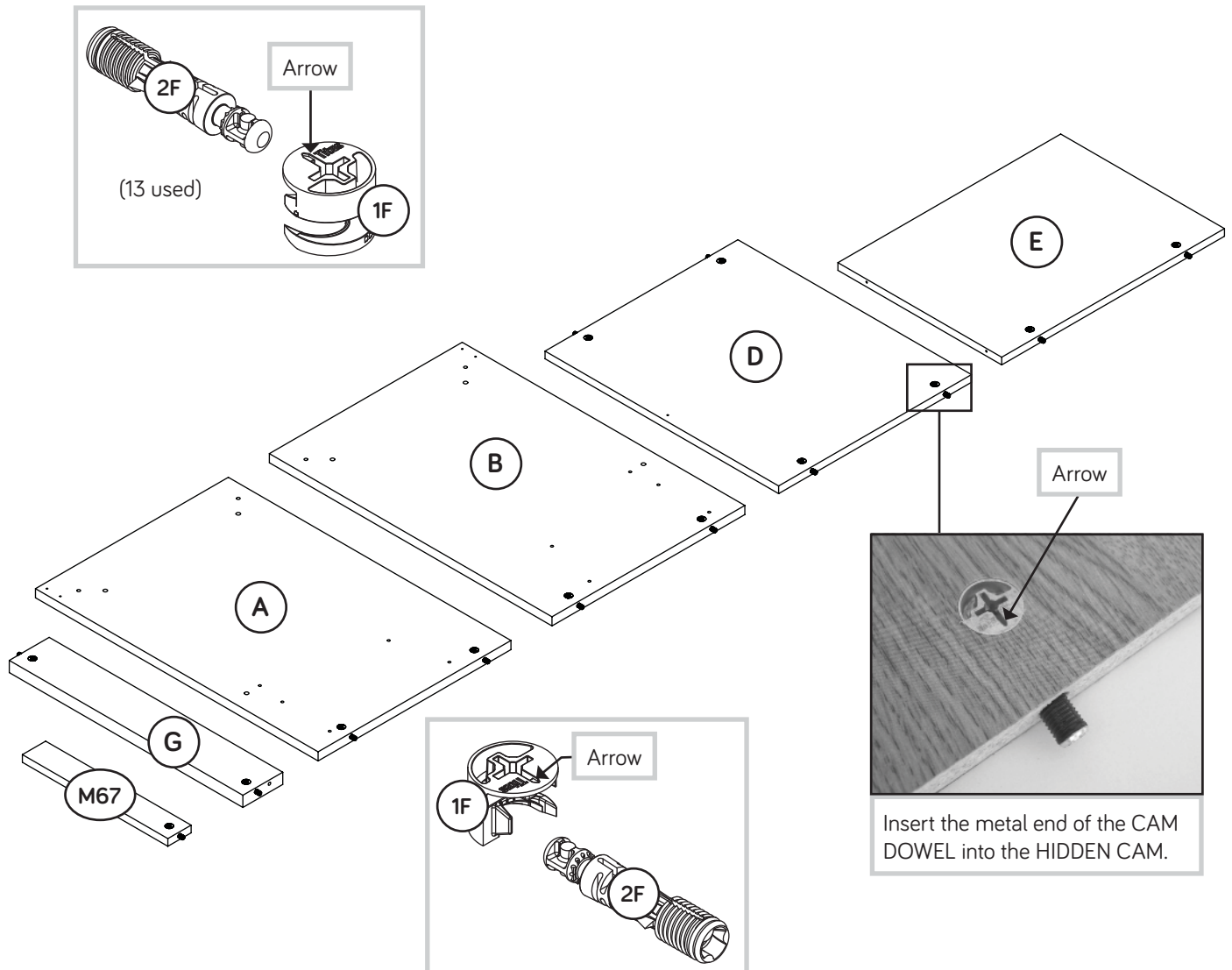
**37S** BLACK 7/8" MACHINE SCREW - 2



# Step 1

- ✚ Assemble your unit on a carpeted floor or on the empty carton to avoid scratching your unit or the floor.
- ✚ Push thirteen HIDDEN CAMS (1F) into the ENDS (A and B), BOTTOM (D), SHELF (E), BRACE (G), and DRAWER BRACE (M67). Then, insert the metal end of a CAM DOWEL (2F) into each HIDDEN CAM.

Do not tighten the HIDDEN CAMS in this step.

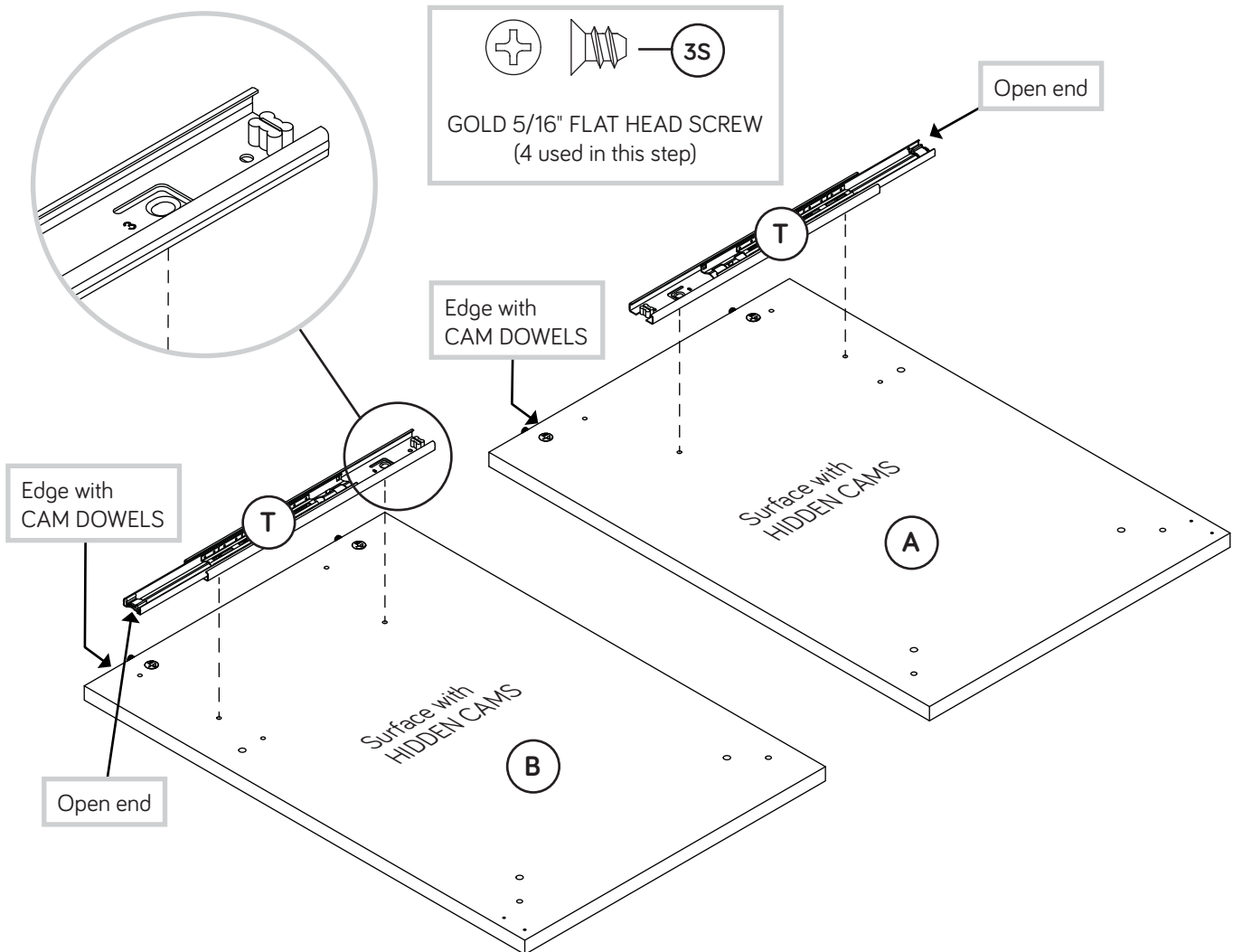


# Step 2

- ✚ Separate the EXTENSION SLIDES (U) from the EXTENSION RAILS (T) as shown in the enlarged diagram below. Be prepared, the parts are greasy.
- ✚ Fasten the EXTENSION RAILS (T) to the ENDS (A and B). Use GOLD 5/16" FLAT HEAD SCREWS (3S).
- ✚ **NOTE:** For each EXTENSION RAIL, turn a SCREW into the hole shown in the enlarged diagram. Then, slide the inner cartridge of the EXTENSION RAIL in to find the other hole that lines up with the hole in the END. Turn a SCREW into this hole.



Push the black lever in and pull the SLIDE from the RAIL.



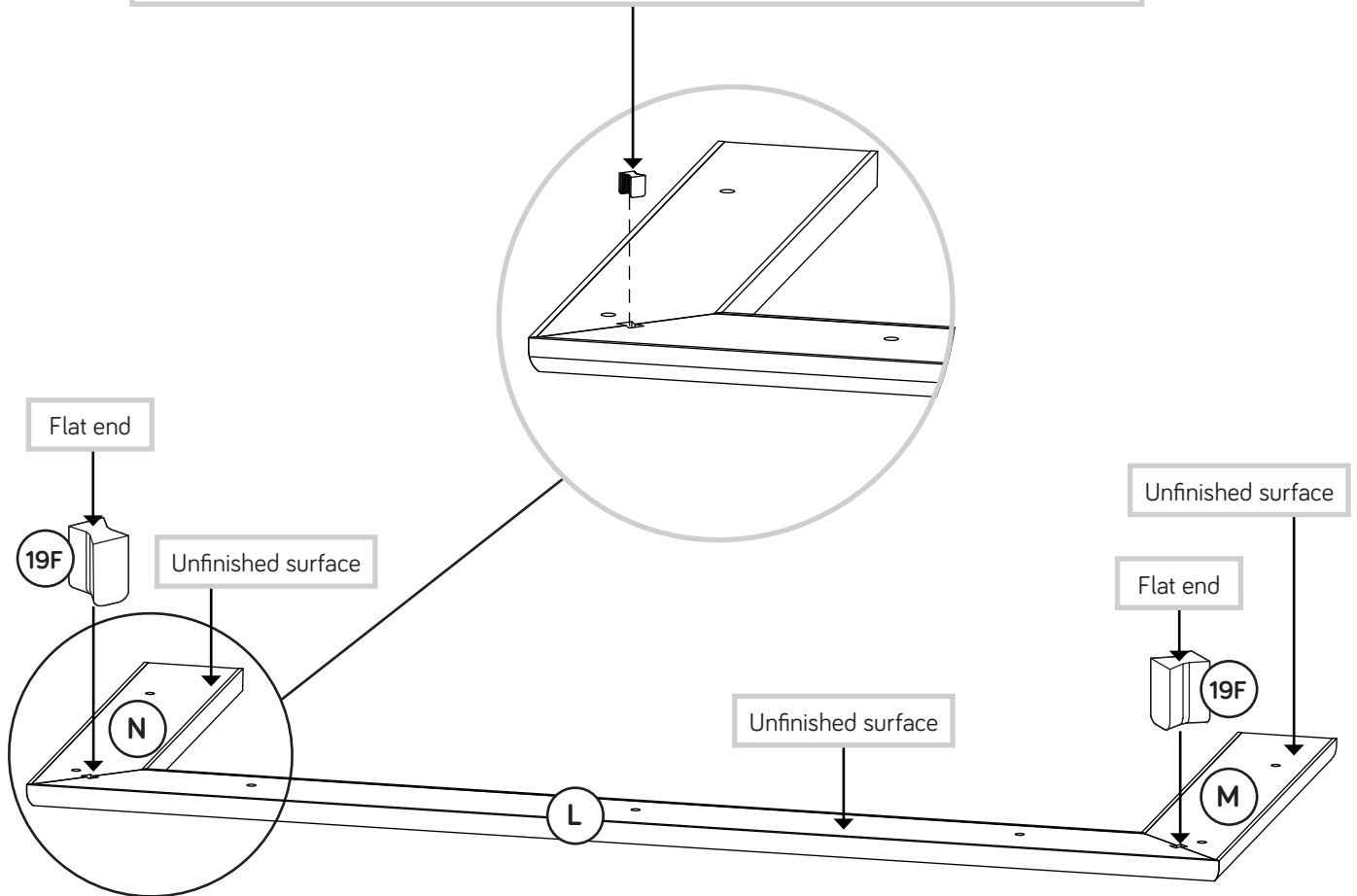
# Step 3

Tap two MOLDING CONNECTORS (19F) into the notches in the MOLDINGS (L, M, and N).



Some assembly (and snacks) required.

Use your hammer to tap the MOLDING CONNECTORS (19F) into the notches in the MOLDINGS.

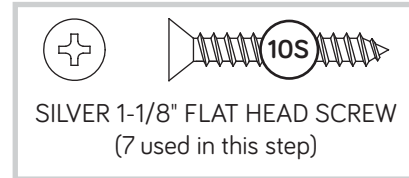




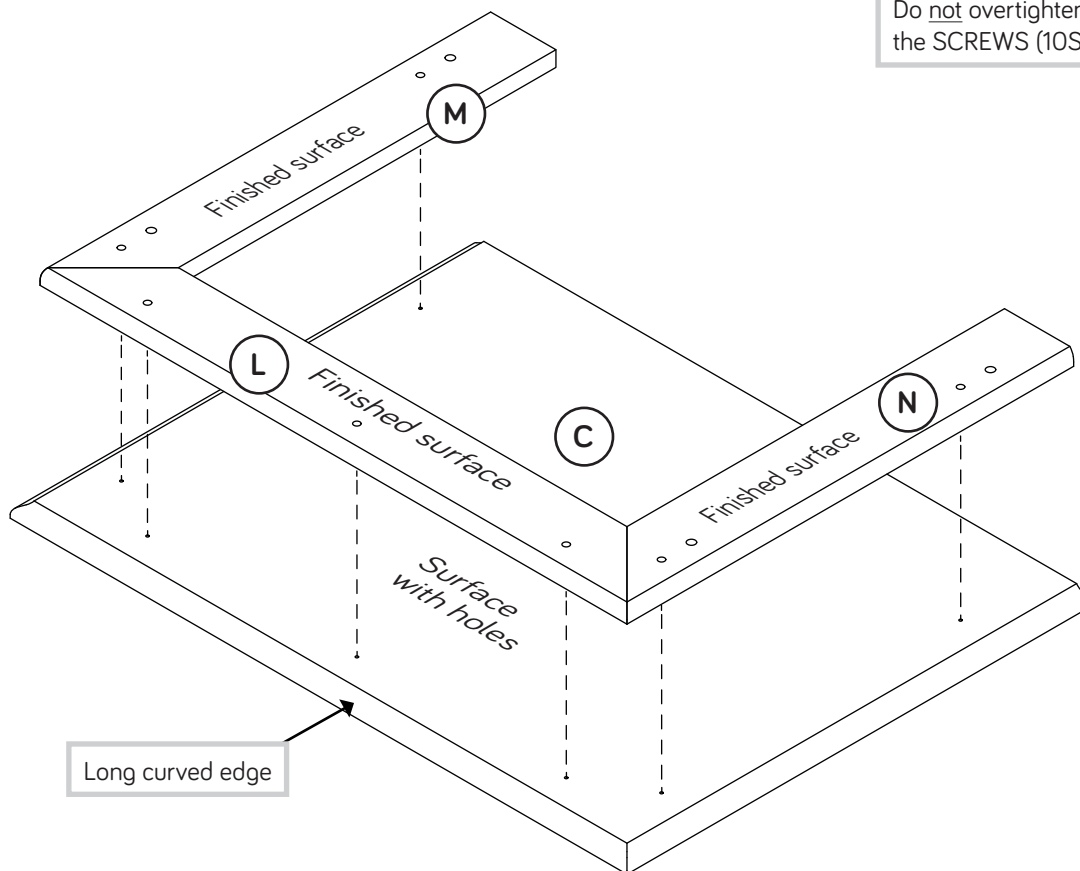
# Step 4

Fasten the TOP (C) to the MOLDINGS (L, M, and N). Use seven SILVER 1-1/8" FLAT HEAD SCREWS (10S).

**NOTE:** Do not overtighten the SCREWS into the TOP.



Do not overtighten the SCREWS (10S).

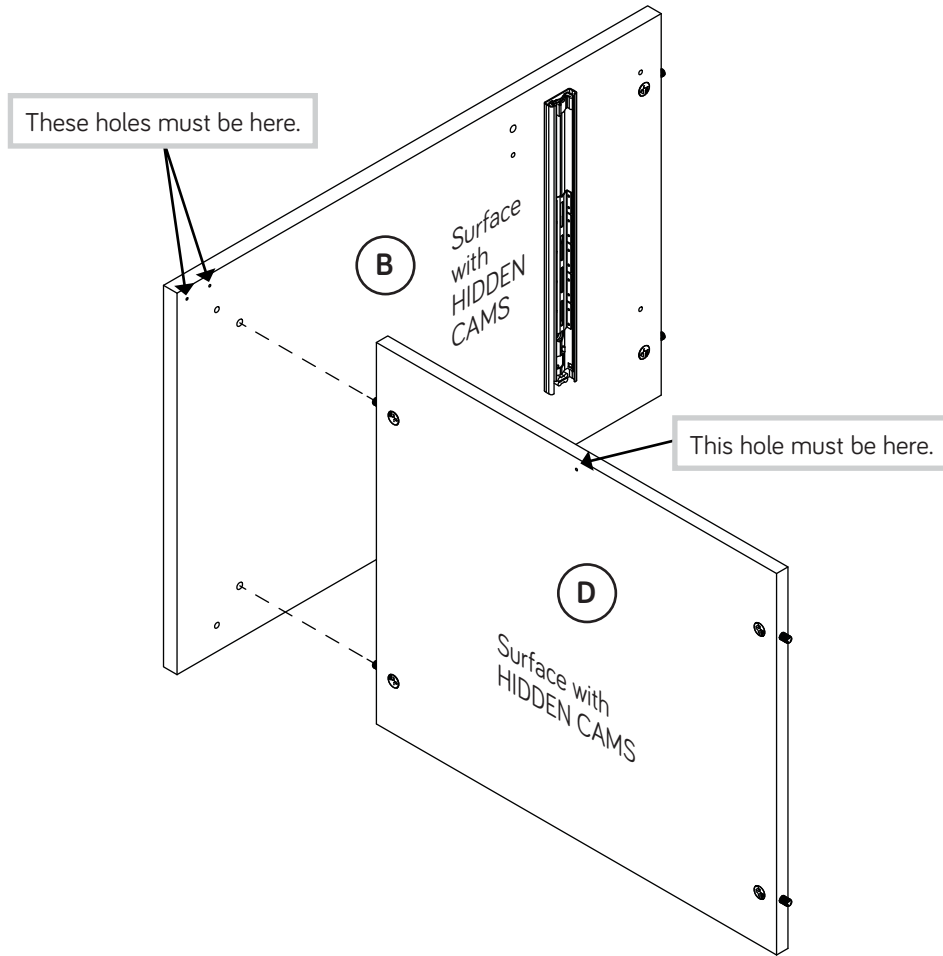


# Step 5

Fasten the LEFT END (B) to the BOTTOM (D). Tighten two HIDDEN CAMS.

**Caution**

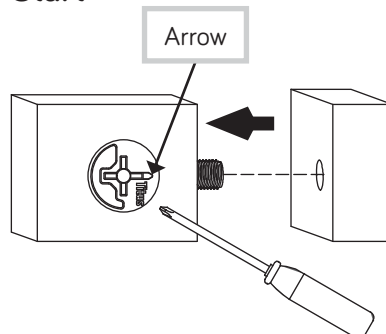
Do not stand the unit upright without the BACK fastened. The unit may collapse.



## Caution

Risk of damage or injury. HIDDEN CAMS must be completely tightened. HIDDEN CAMS that are not completely tightened may loosen, and parts may separate. To completely tighten:

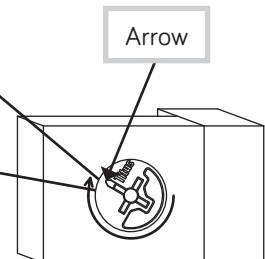
### Start



### Tighten

Maximum 210 degrees

Minimum 190 degrees

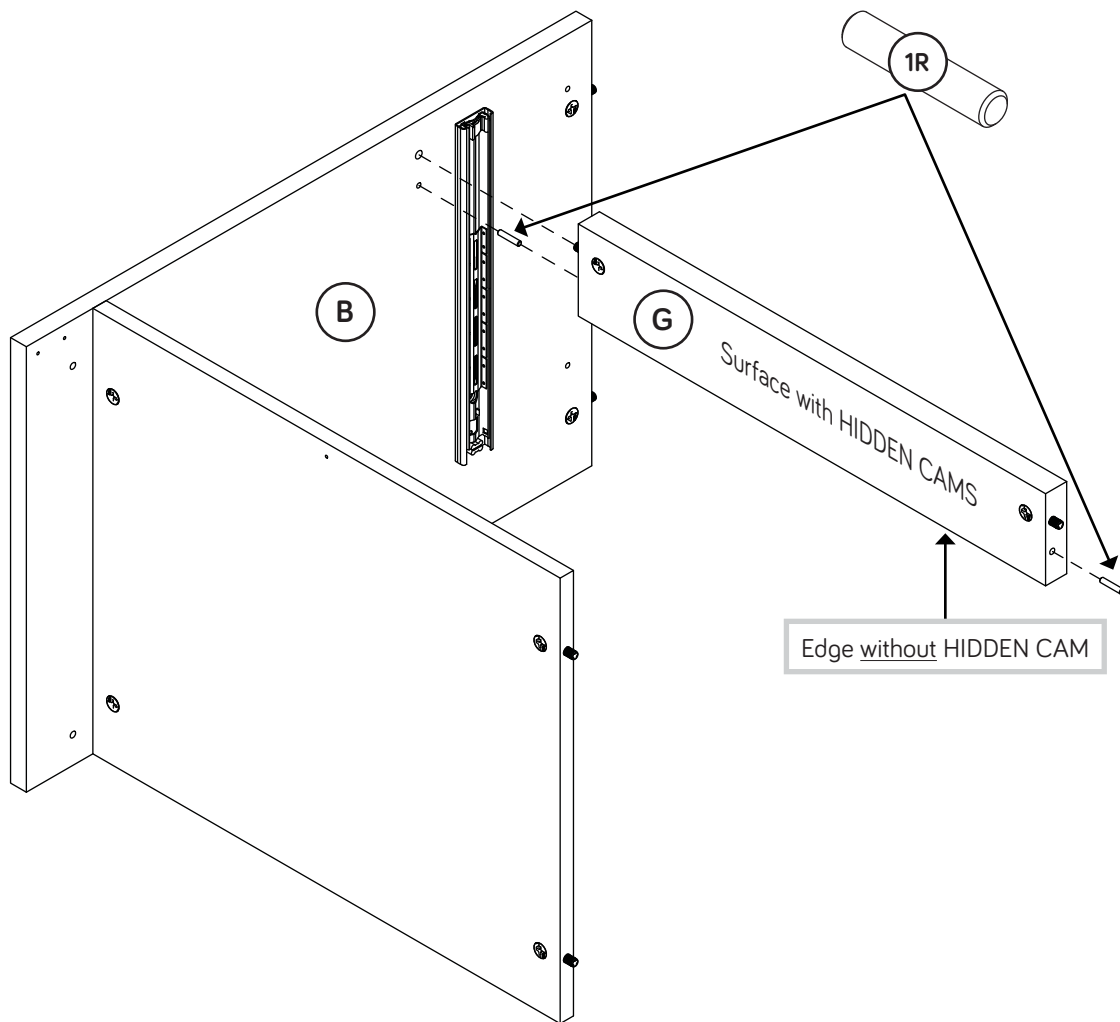
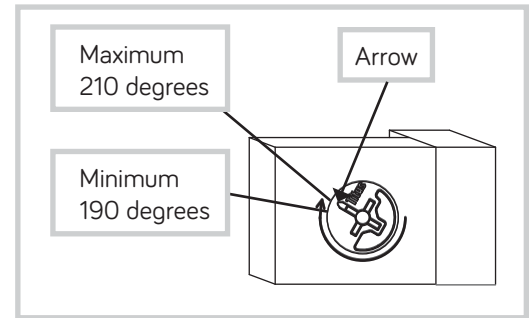


# Step 6

✚ Insert two METAL PINS (1R) into the ends of the BRACE (G).

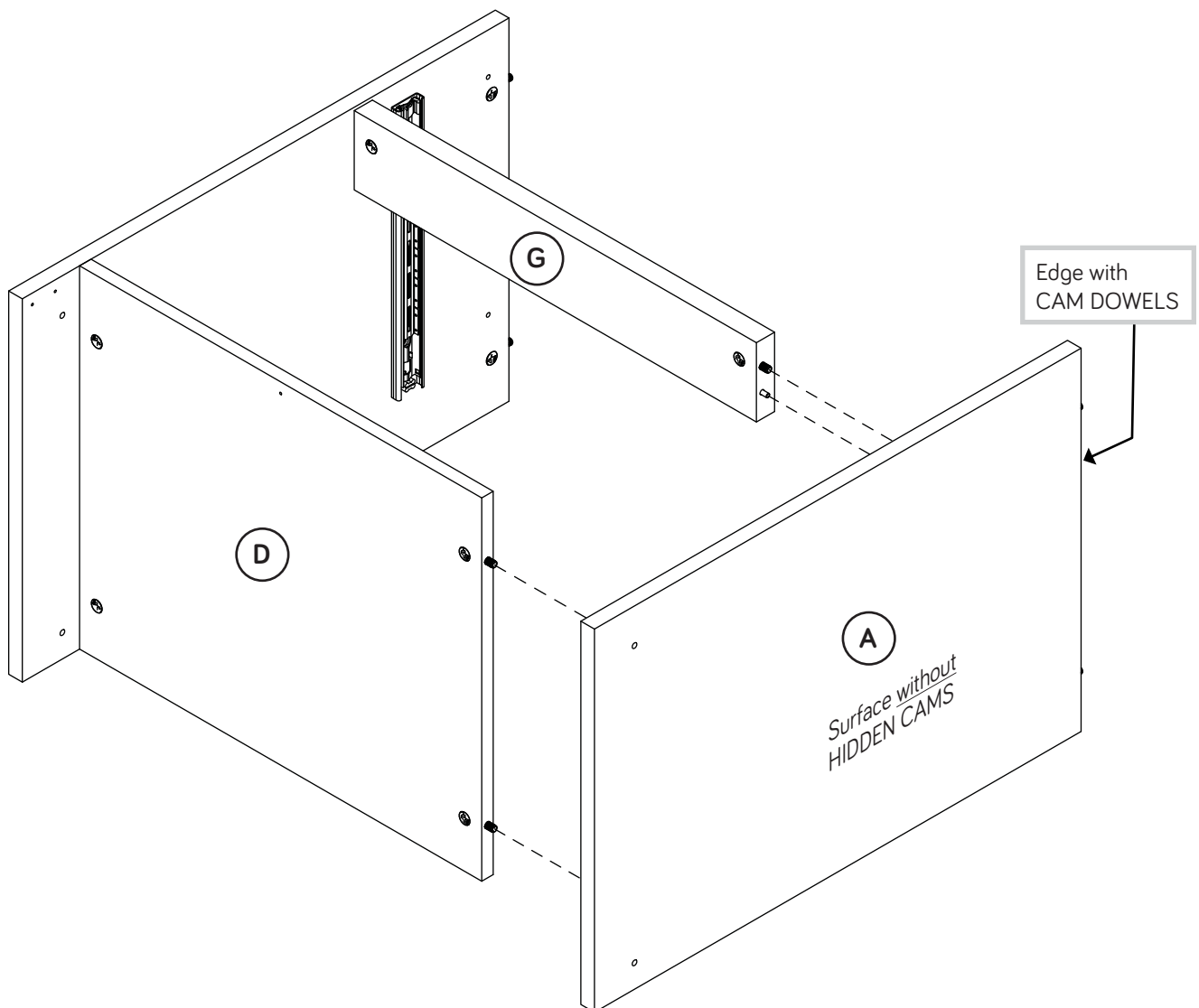
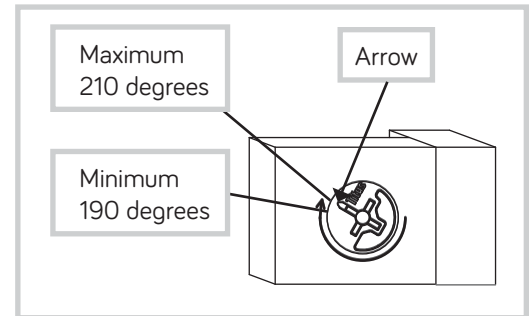
✚ Fasten the BRACE (G) to the LEFT END (B). Tighten one HIDDEN CAM.

✚ NOTE: Be sure the METAL PIN in the BRACE inserts into the hole in the LEFT END.



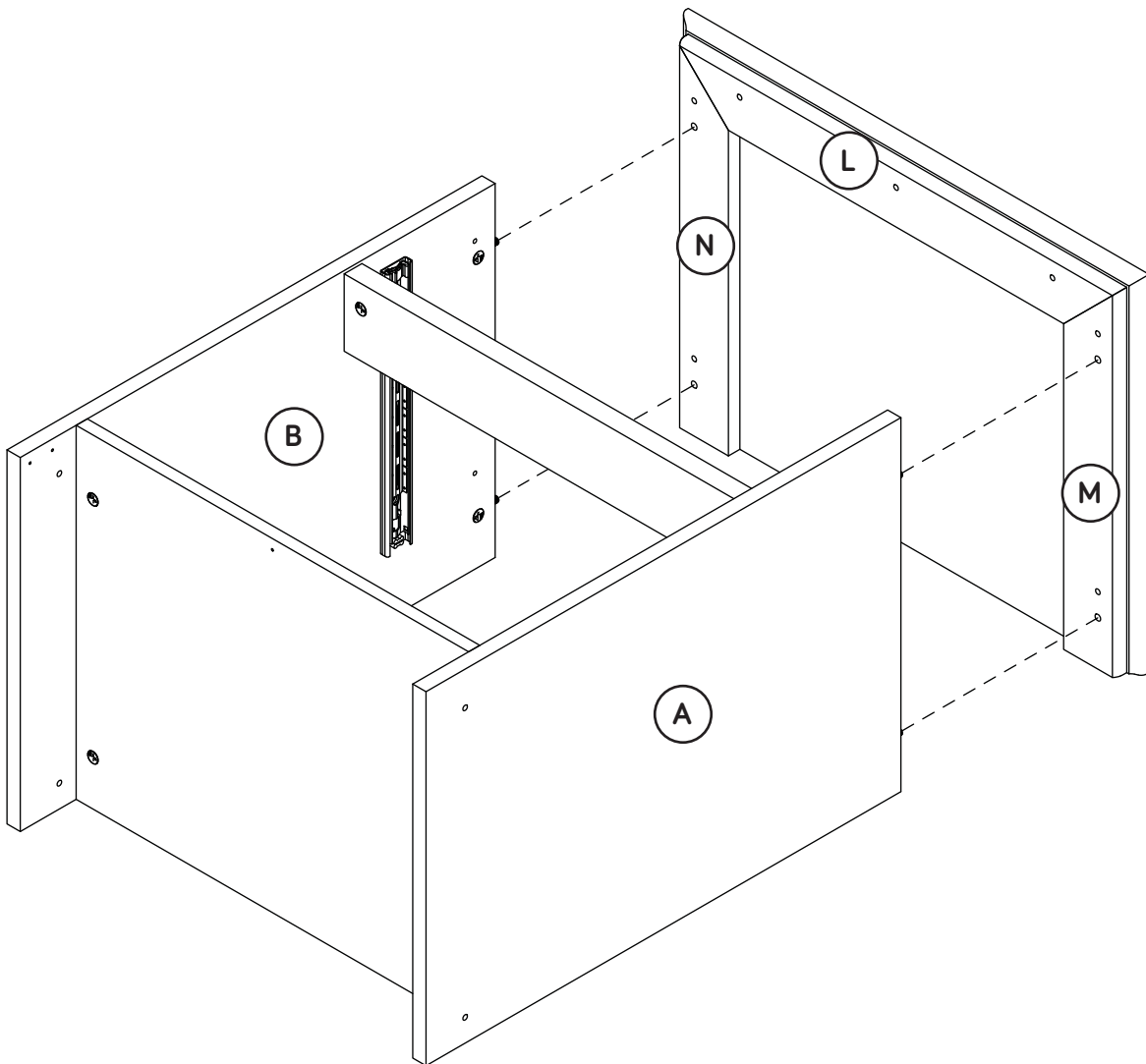
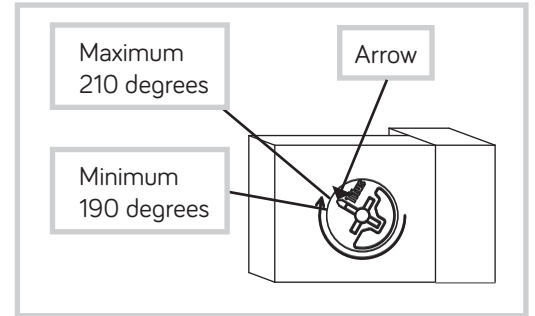
# Step 7

- Fasten the RIGHT END (A) to the BOTTOM (D) and BRACE (G). Tighten three HIDDEN CAMS.
- NOTE:** Be sure the METAL PIN in the BRACE inserts into the hole in the RIGHT END.



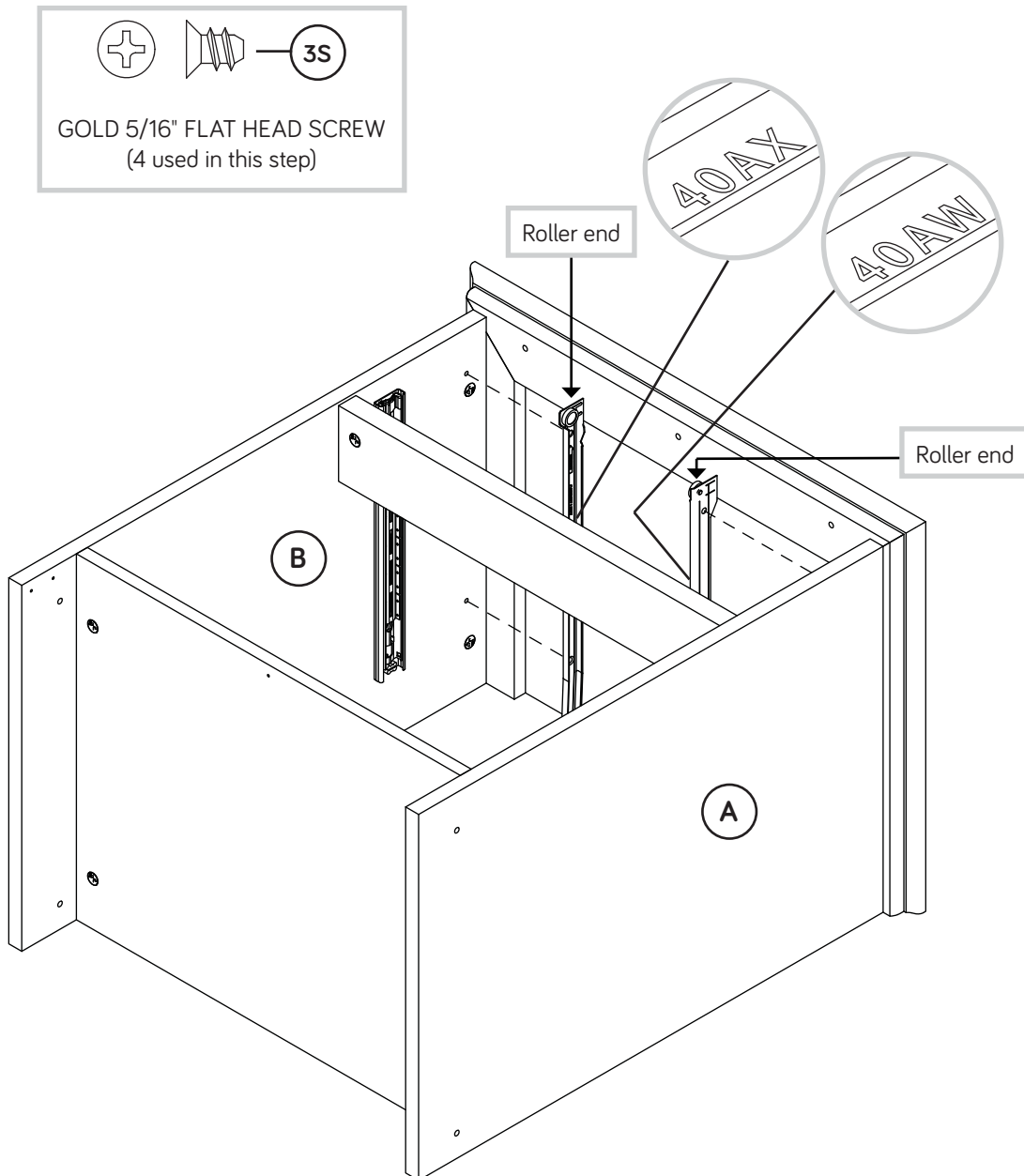
# Step 8

- Fasten the MOLDINGS (M and N) to the ENDS (A and B).  
Tighten four HIDDEN CAMS.



# Step 9

- Fasten the CABINET RIGHT (40AW) and CABINET LEFT (40AX) to the ENDS (A and B). Use four GOLD 5/16" FLAT HEAD SCREWS (3S).

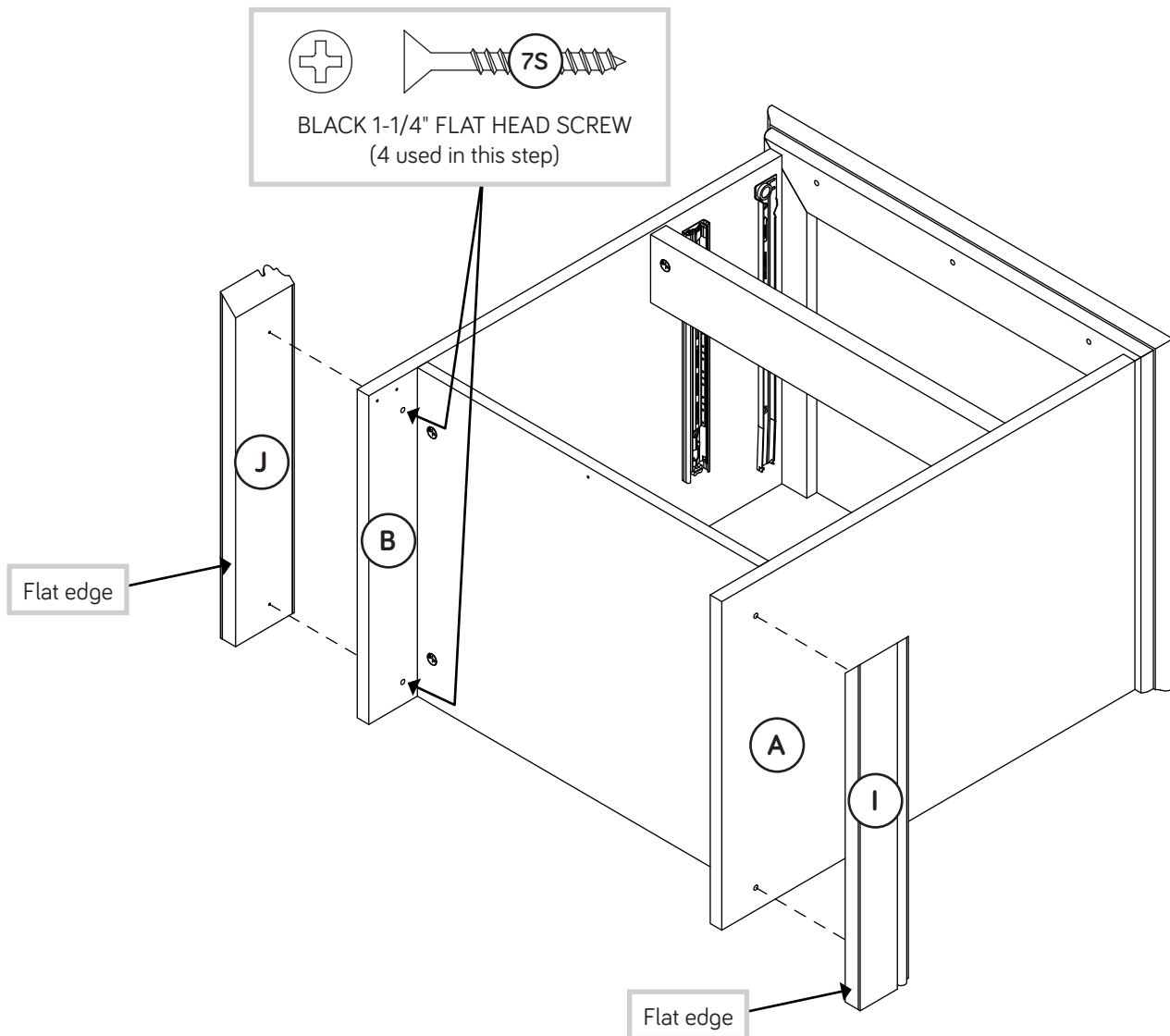


# Step 10

Fasten the BASES (I and J) to the ENDS (A and B). Use four BLACK 1-1/4" FLAT HEAD SCREWS (7S).

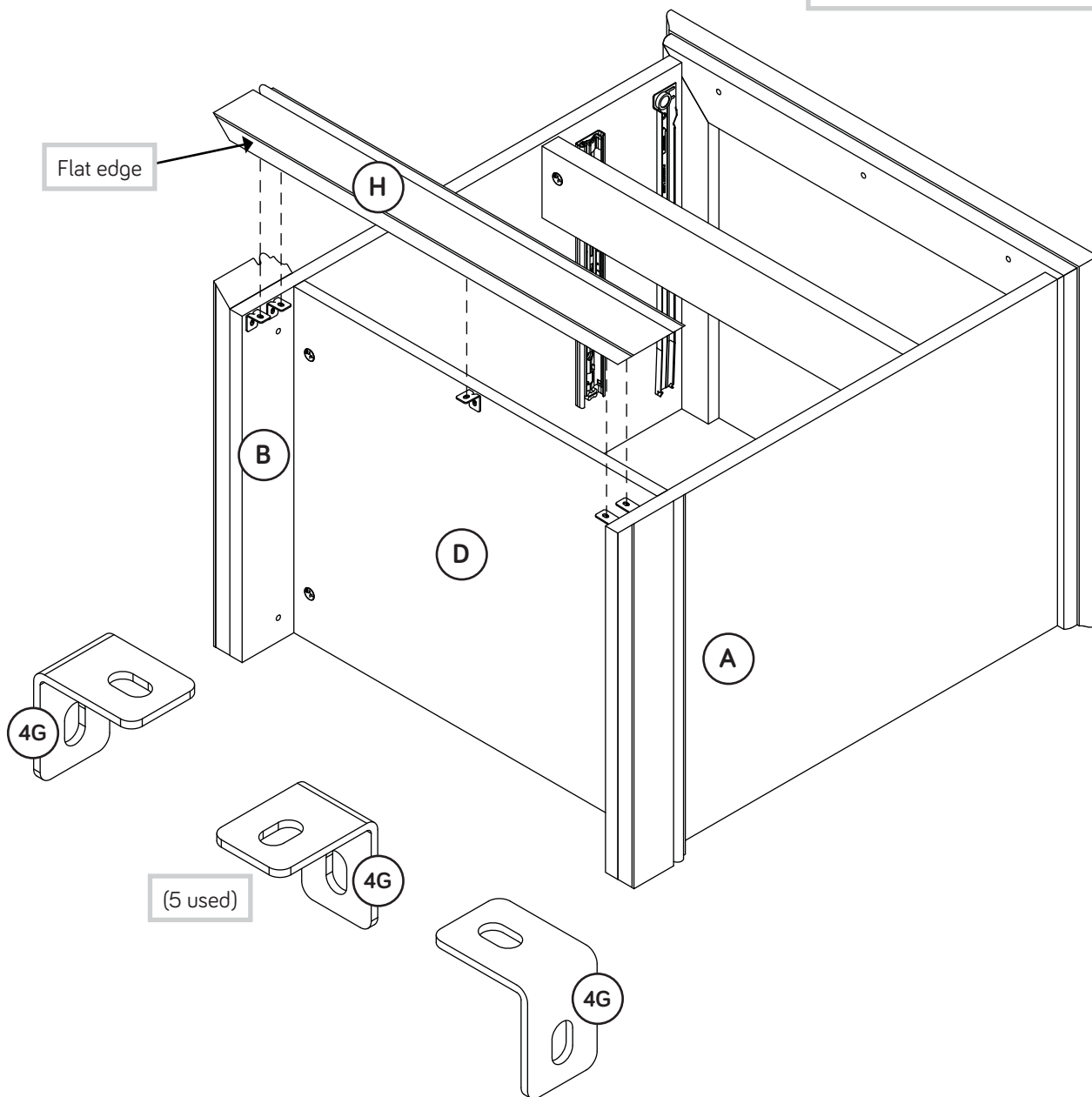
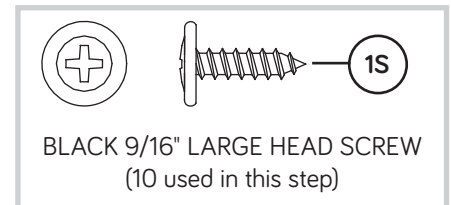


Don't worry. It isn't Rome. This can be built in a day.



# Step 11

- Fasten five METAL BRACKETS (4G) to the ENDS (A and B) and BOTTOM (D). Use five BLACK 9/16" LARGE HEAD SCREWS (1S).
- NOTE:** Be sure the edges of the METAL BRACKETS are even with the edges of the ENDS and BOTTOM.
- Fasten the BASE (H) to the ENDS (A and B) and BOTTOM (D). Use five BLACK 9/16" LARGE HEAD SCREWS (1S) through the METAL BRACKETS and into the BASE.



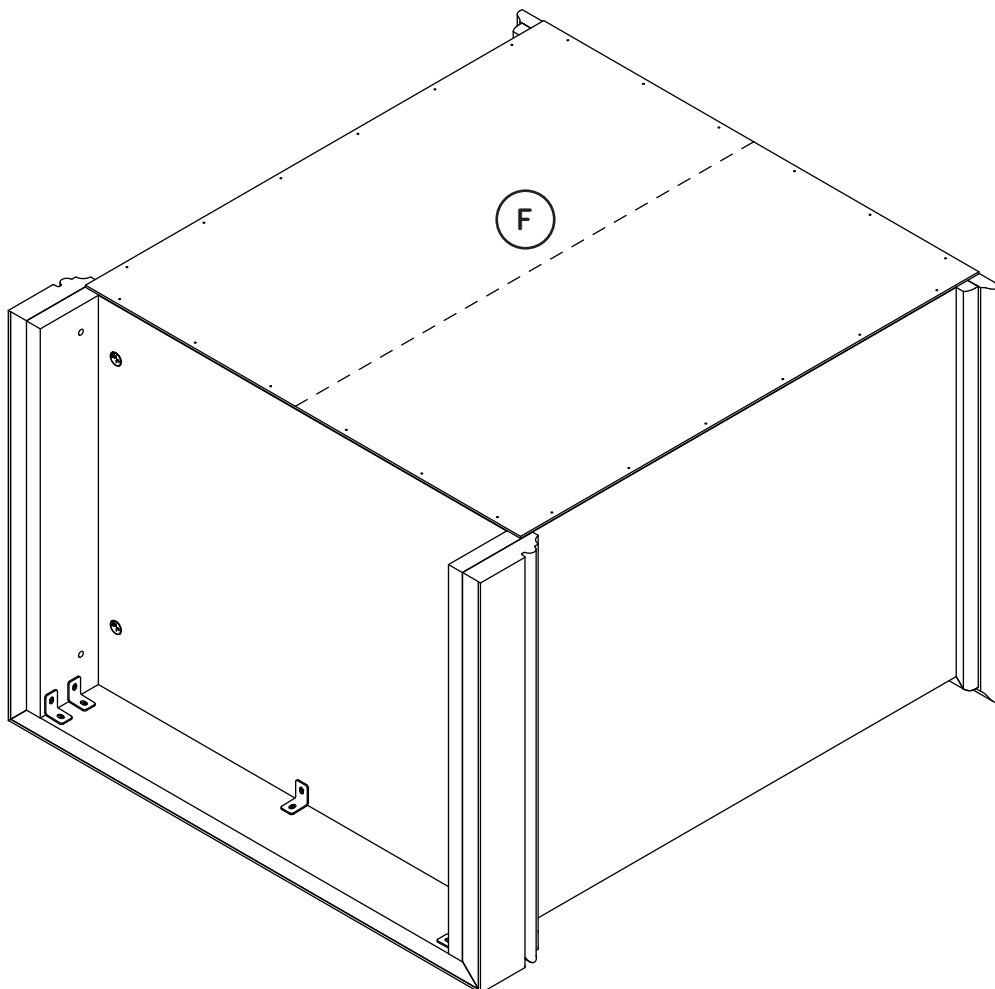


# Step 12

- ✚ Carefully turn your unit over onto its front edges. Unfold the BACK (F) and lay it over your unit.
- ✚ Make equal margins along all four edges of the BACK (F). Push on opposite corners of your unit if needed to make it "square".
- ✚ Fasten the BACK (F) to your unit using the NAILS (1N).

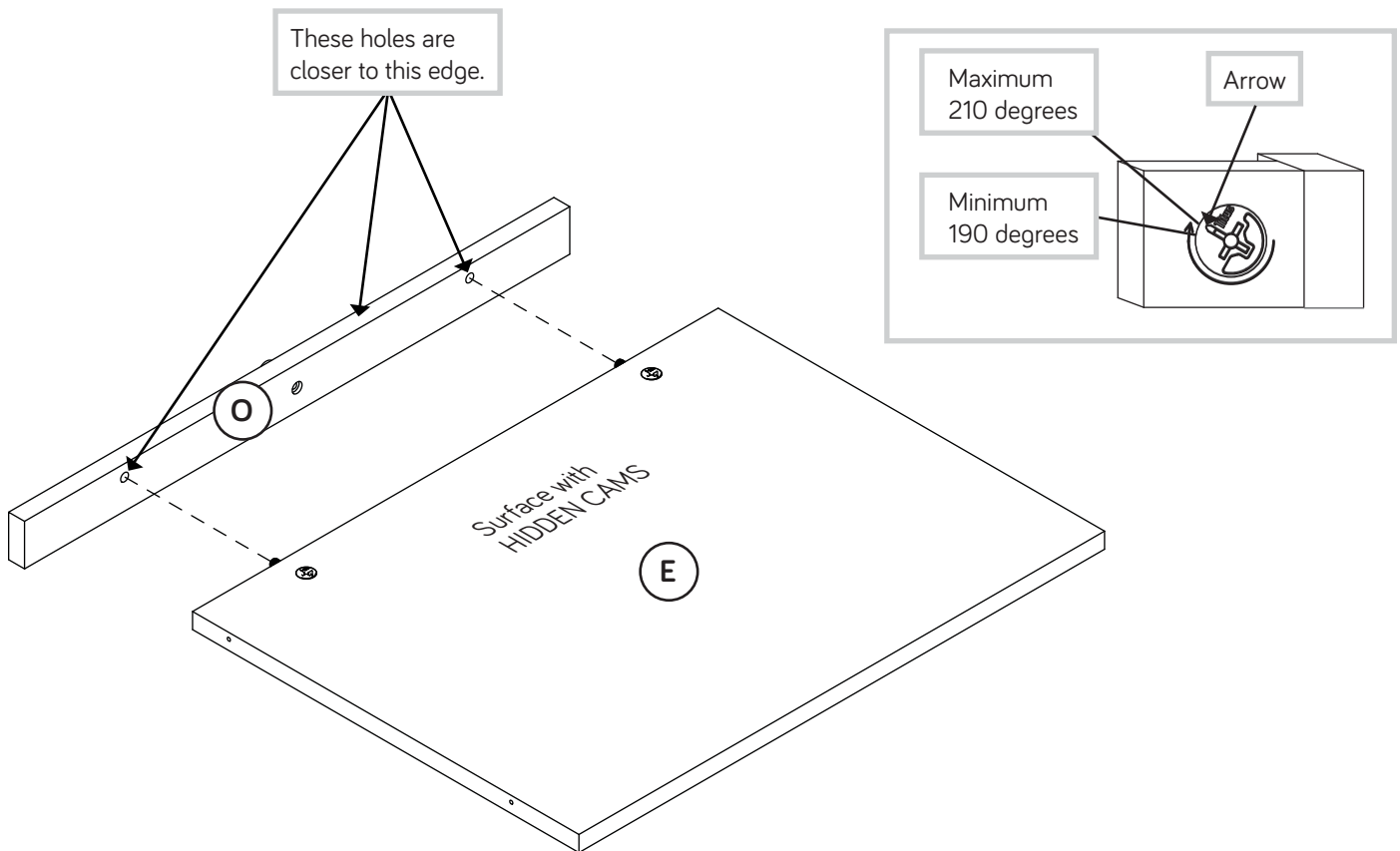
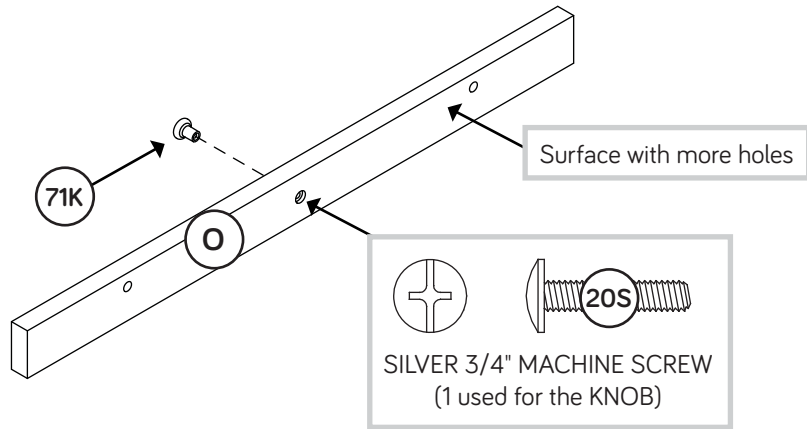


Do not stand the unit upright without the BACK fastened. The unit may collapse.



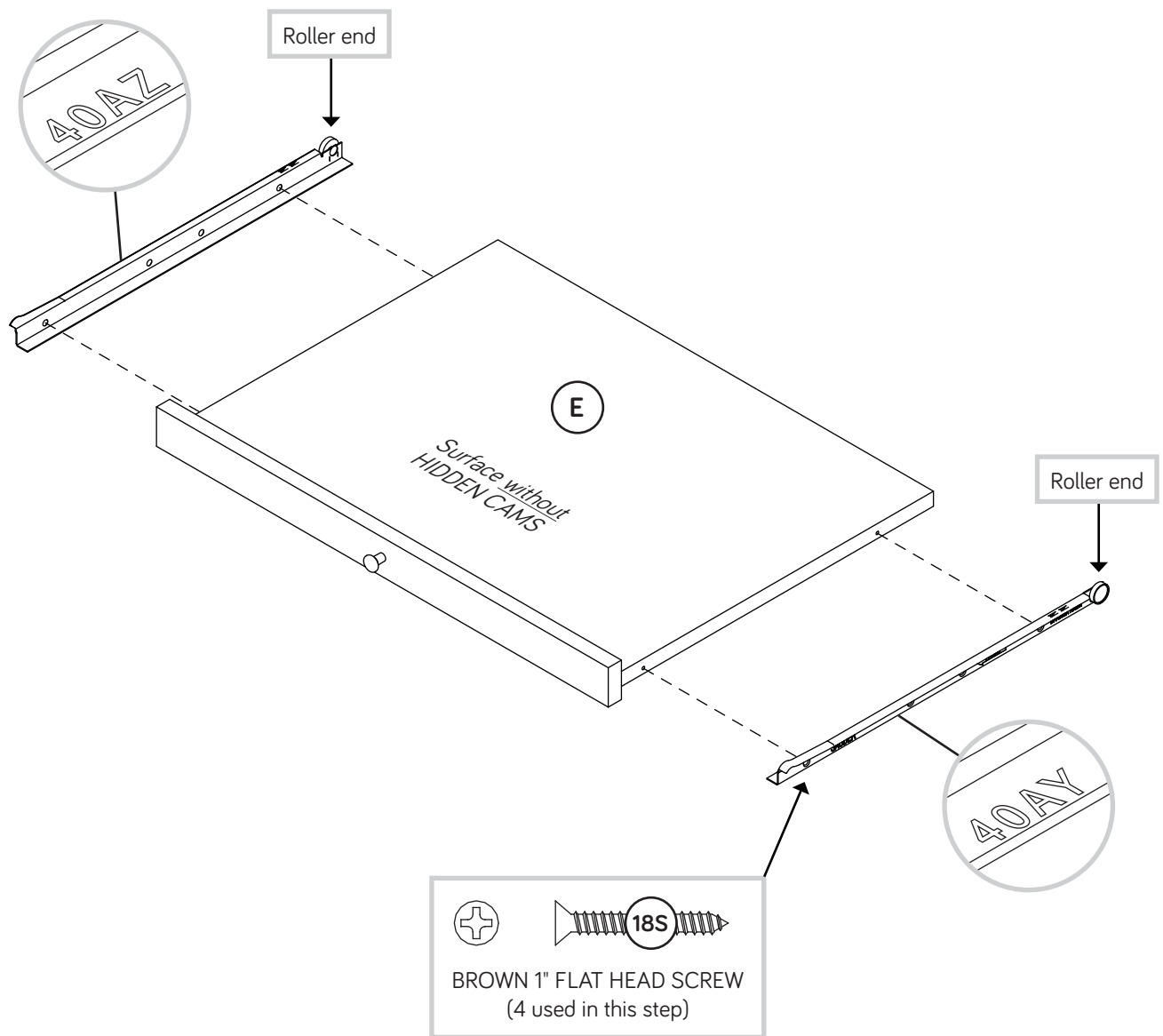
# Step 13

- Fasten the KNOB (71K) to the SHELF MOLDING (O). Use a SILVER 3/4" MACHINE SCREW (20S).
- Fasten the SHELF (E) to the SHELF MOLDING (O). Tighten two HIDDEN CAMS.



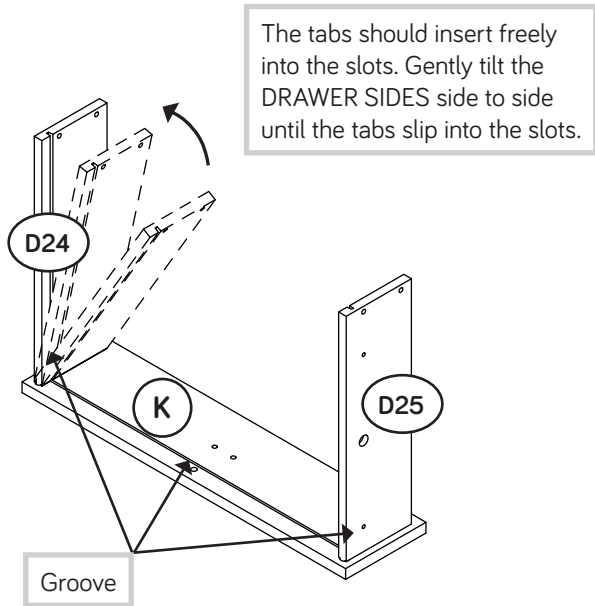
# Step 14

- Fasten the DRAWER RIGHT (40AY) and DRAWER LEFT (40AZ) to the SHELF (E). Use four BROWN 1" FLAT HEAD SCREWS (18S).



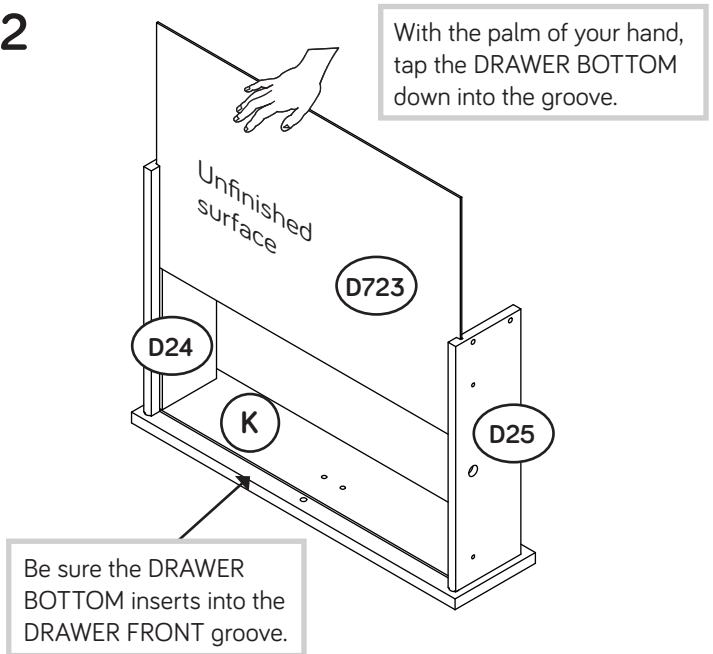
# Step 15

1



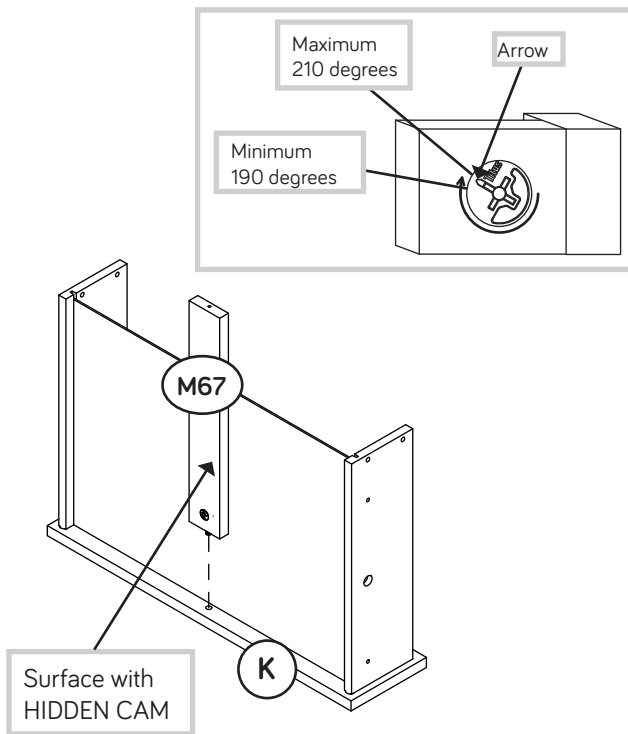
✚ Insert the DRAWER SIDES (D24 and D25) at an angle into the slot at each end of the DRAWER FRONT (K).

2



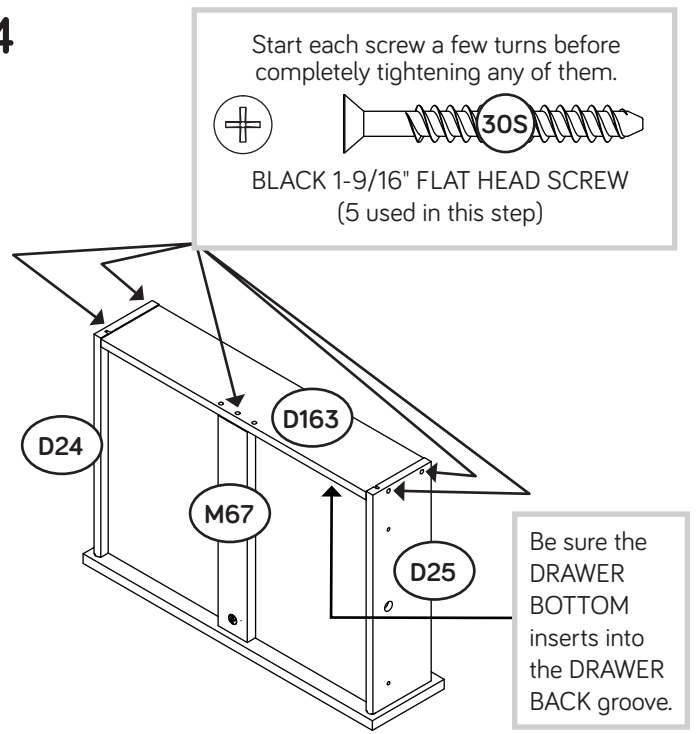
✚ Slide the DRAWER BOTTOM (D723) into the grooves in the DRAWER SIDES (D24 and D25) and DRAWER FRONT (K).

3



✚ Fasten the DRAWER BRACE (M67) to the DRAWER FRONT (K). Tighten one HIDDEN CAM.

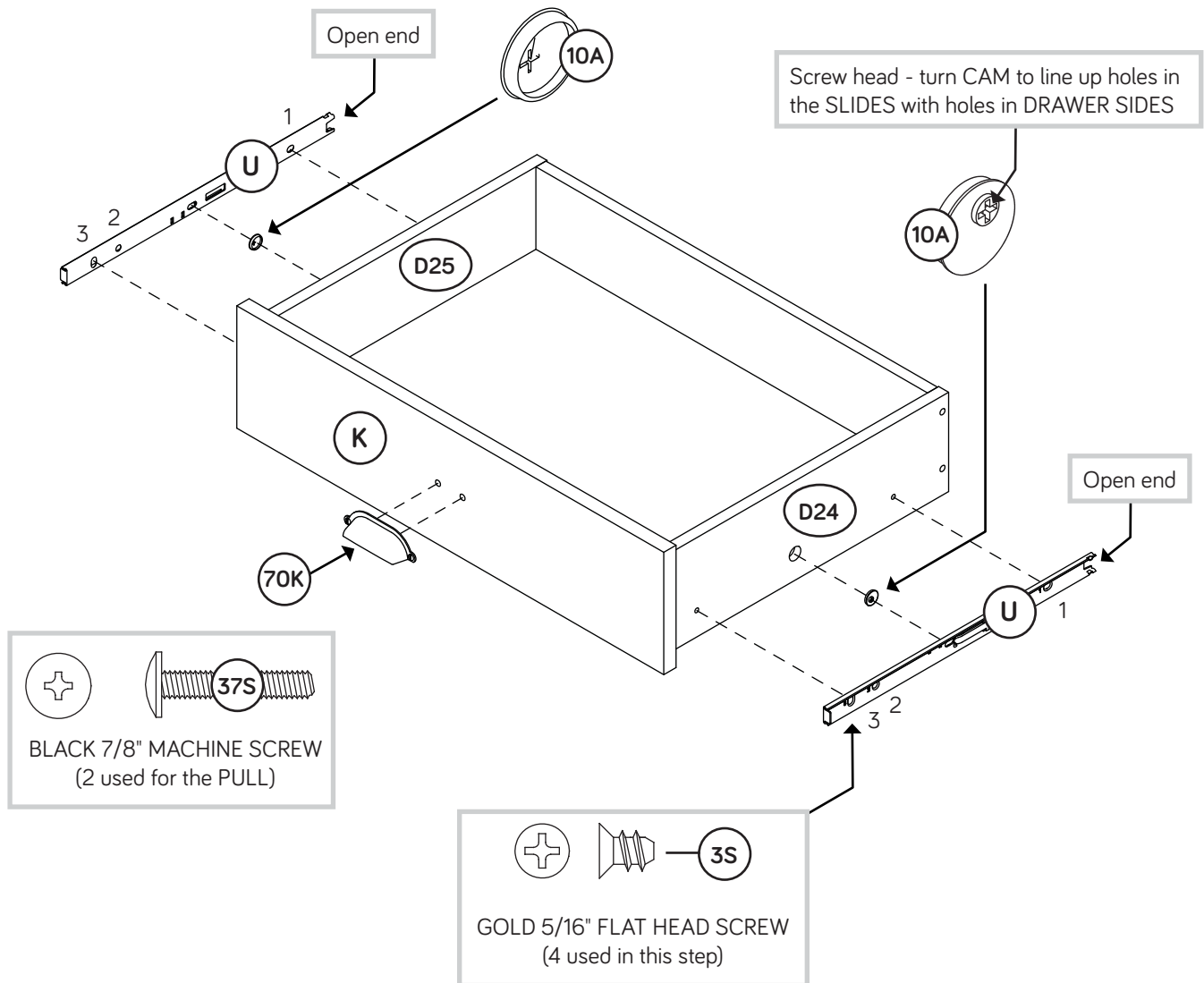
4



✚ Fasten the DRAWER BACK (D163) to the DRAWER SIDES (D24 and D25) and DRAWER BRACE (M67). Use five BLACK 1-9/16" FLAT HEAD SCREWS (30S).

# Step 16

- ✚ Insert a SLIDE CAM (10A) into the DRAWER SIDES (D24 and D25).
- ✚ Fasten the EXTENSION SLIDES (U) to the DRAWER SIDES (D24 and D25). Use four GOLD 5/16" FLAT HEAD SCREWS (3S) through holes #1 and #3.
- ✚ NOTE: The screw head in the CAM must be visible through the slotted hole in the SLIDE.
- ✚ Fasten the PULL (70K) to the DRAWER FRONT (K). Use two BLACK 7/8" MACHINE SCREWS (37S).

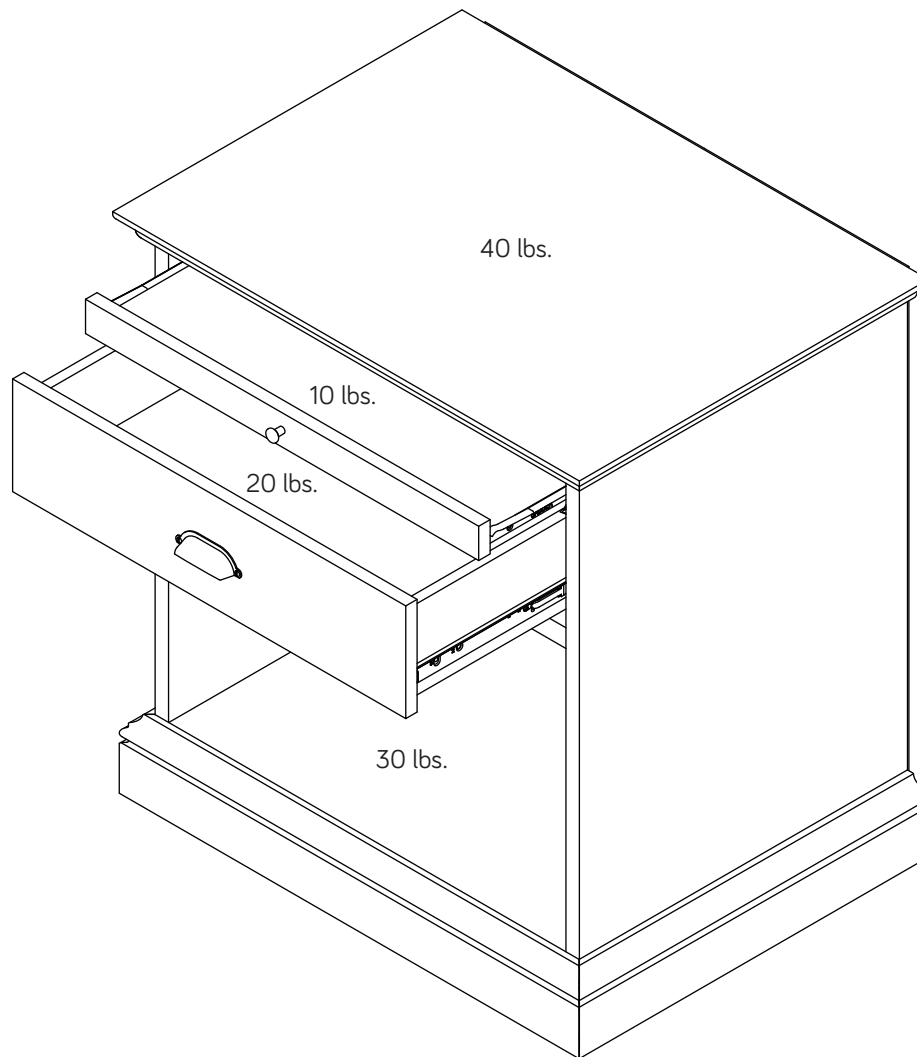


# Step 17

- ✚ Carefully stand your unit upright.
- ✚ To insert the shelf into your unit, tip the front of the shelf down and drop the rollers on the shelf behind the rollers on the unit. Lift the front of the shelf up and slide it into the unit.
- ✚ To insert the drawer into your unit, line up the EXTENSION SLIDES on the drawer with the EXTENSION RAILS on the unit and push the drawer into the unit until the drawer is fully inserted. The drawer will push in hard until it is all the way in, then it will slide in and out easier.



Pro Tip: Lift with your legs. And, you know, your arms.

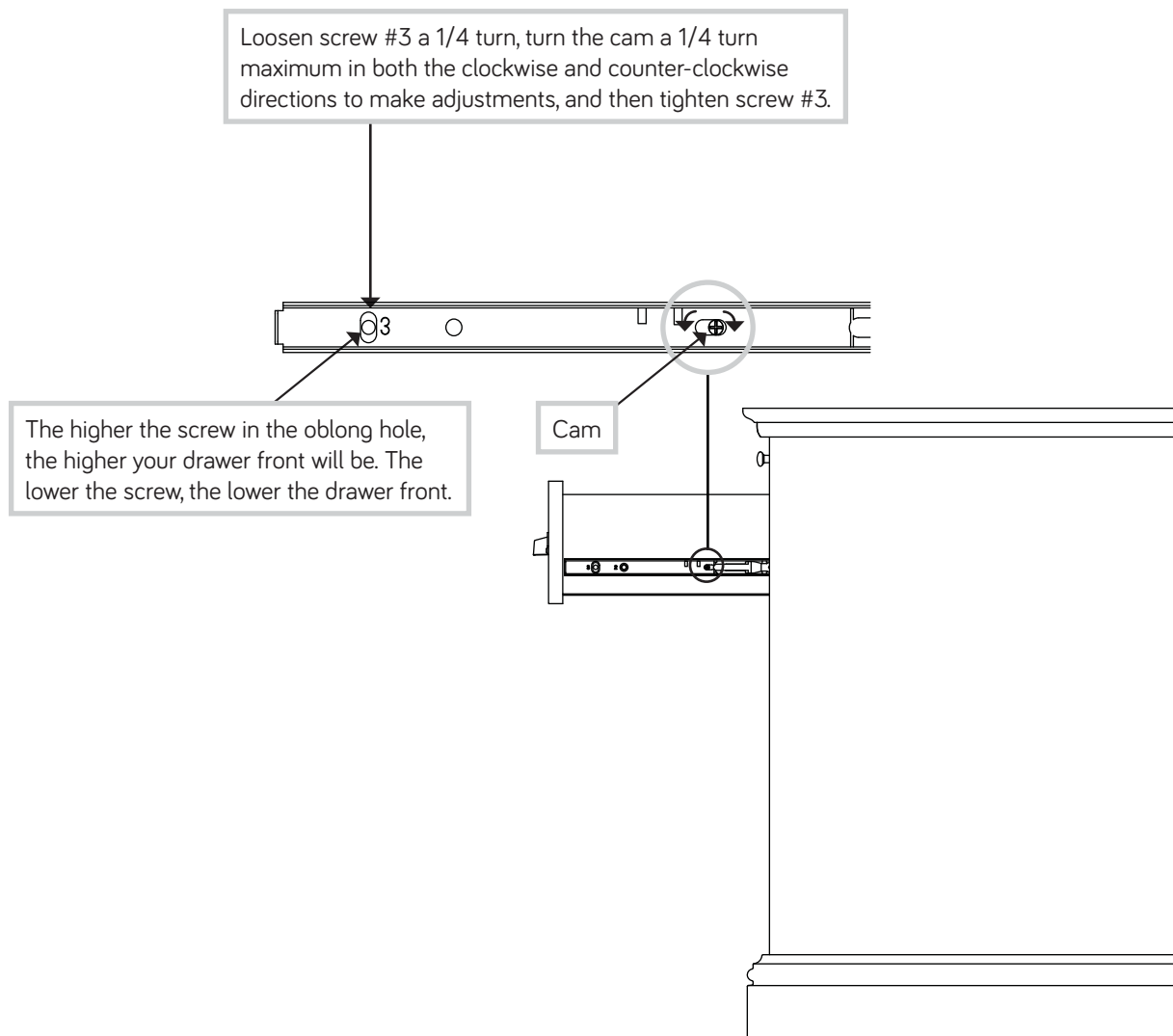


# Step 18

✚ To make adjustments to the drawers, loosen SCREW #3 in the SLIDES a 1/4 turn, then turn the cam clockwise or counter-clockwise. Notice how the drawer raises or lowers as you turn the cam. By adjusting the drawers this way, it will help the DRAWER FRONTS line up better when closed. Tighten the SCREWS when finished with adjustments.

✚ **NOTE:** Please read the back pages of the instruction booklet for important safety information.

✚ This completes assembly. Clean with your favorite furniture polish or a damp cloth. Wipe dry.



**⚠ WARNING**

Please use your furniture correctly and safely. Improper use can cause safety hazards, or damage to your furniture or household items. ***Carefully read the following chart.***

Look out for:	What can happen:	How to avoid the problem:
<ul style="list-style-type: none"><li>• Overloaded drawers and shelves.</li></ul>	<ul style="list-style-type: none"><li>• Risk of injury.</li><li>• Top-heavy furniture can tip over.</li><li>• Overloaded drawers or shelves can break.</li></ul>	<ul style="list-style-type: none"><li>• Never exceed the weight limits shown in the instructions.</li><li>• Work from bottom to top when loading shelves and drawers. Place the heavier items on the lower shelves or in lower drawers.</li></ul>
<ul style="list-style-type: none"><li>• Placing TVs on furniture items that are not designed to support a television is hazardous.</li></ul>	<ul style="list-style-type: none"><li>• Risk of injury or death. TVs can be very heavy. Plus the weight and location of the picture tube tends to make TVs unbalanced and prone to tipping forward.</li></ul>	<ul style="list-style-type: none"><li>• This product is not designed to support a television.</li></ul>