



For things 'n such.

Barrister Home 3 Drawer Chest

Barrister Home Collection | Model 5418702

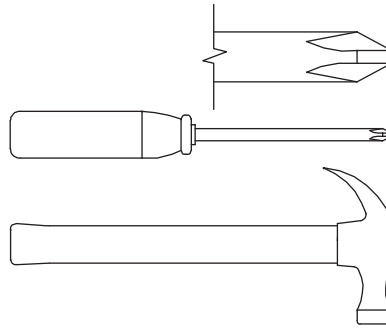
NOTE: THIS INSTRUCTION BOOKLET CONTAINS **IMPORTANT** SAFETY INFORMATION.

PLEASE READ AND KEEP FOR FUTURE REFERENCE.

Table of Contents

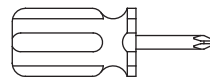
Assembly Tools Required

Part Identification	3
Hardware Identification	4
Assembly Steps	5-18
Français	19-21
Español	22-24
Safety	25-26
Warranty	27

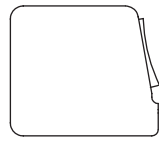


No. 2 Phillips Screwdriver
Tip Shown Actual Size

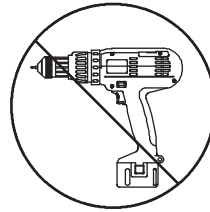
Hammer
Not actual size 😊



Short Screwdriver



Tape Measure

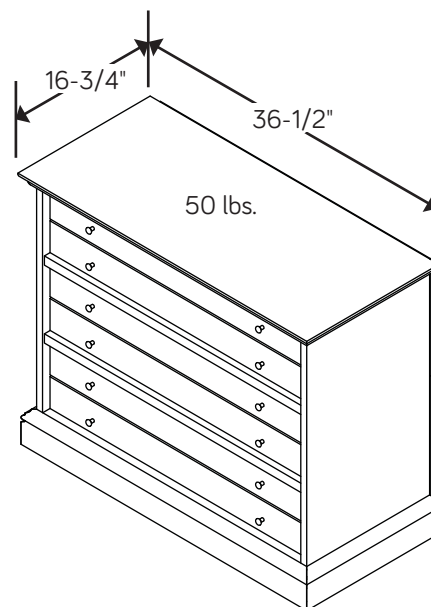


Skip the power trip.
This time.

⚠ WARNING

Use of a TV that is too heavy or large is hazardous. A TV that is too heavy will create a risk of a tip-over that can cause severe injury or death. A TV that is too large for the available space might be accidentally pushed or bumped off the furniture, or subject to tip-over.

- Check the size and weight of your TV. Compare it to the diagram to the right - **before you begin assembly!**
- This Sauder unit is designed for use with televisions weighing less than 50 pounds. **Never** use with a TV that weighs more.
- The size of the television, front-to-back and side-to-side, must fit within the space defined in the diagram.
 - **Never** place the front edge of the TV past the front edge of the TV support shelf (or stop molding - if equipped)
 - **Never** allow the sides of the TV to extend past the side edges of the TV support surface.
 - If the TV has a CRT picture tube, the picture tube cone may extend past the rear of the support shelf.
- Be sure to apply the warning label as instructed in the last assembly step. The label provides important safety related information.



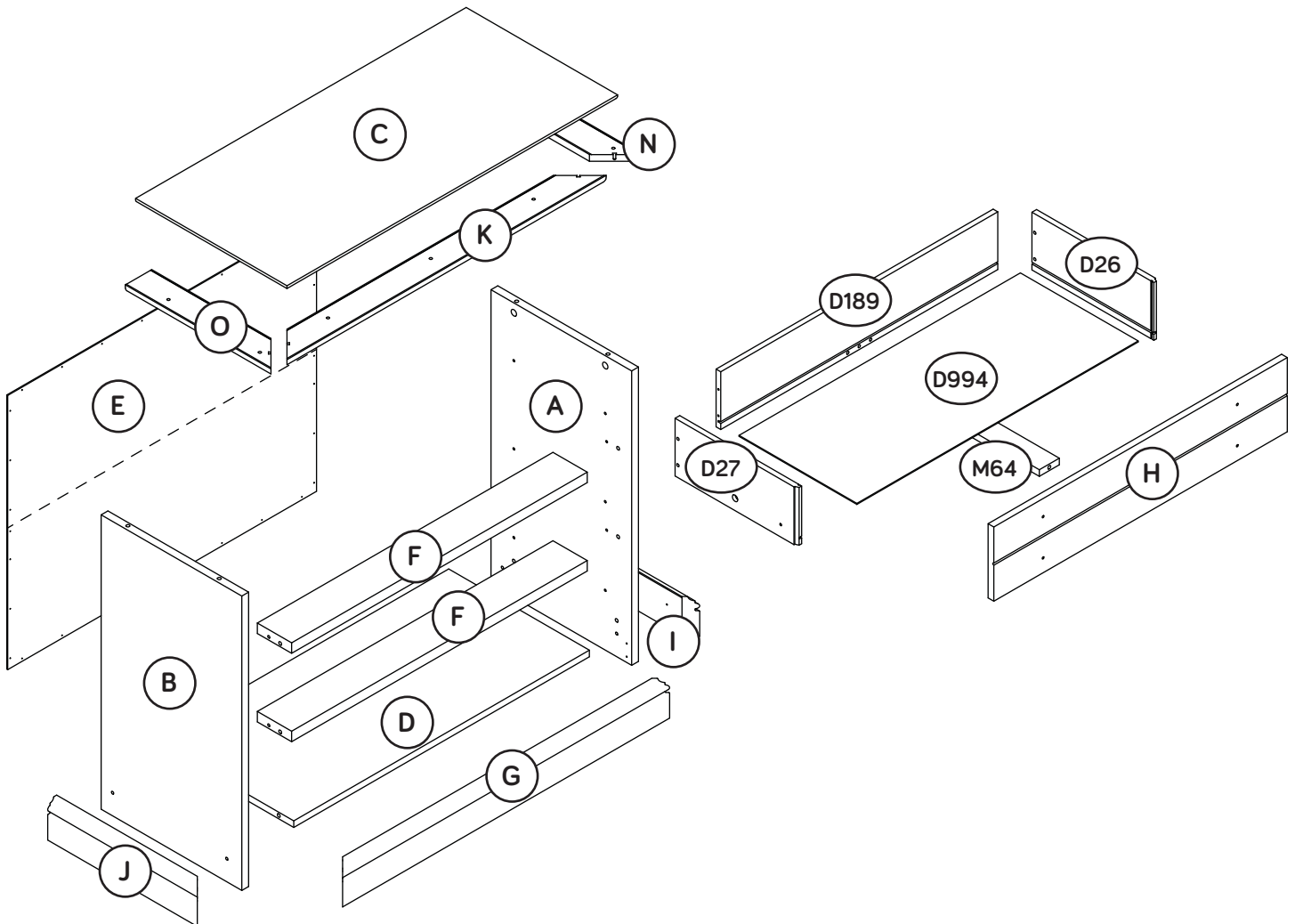
Part Identification

Now you know
our ABCs.



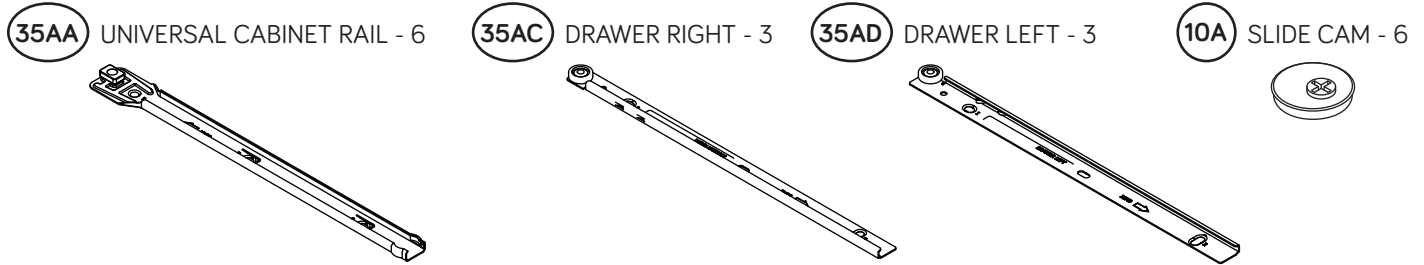
† While not all parts are labeled, some of the parts will have a label or an inked letter on the edge to help distinguish similar parts from each other. Use this part identification to help identify similar parts.

A	RIGHT END (1)	G	BASE (1)	O	LEFT MOLDING (1)
B	LEFT END (1)	H	DRAWER FRONT (3)	D26	DRAWER RIGHT SIDE (3)
C	TOP (1)	I	RIGHT BASE (1)	D27	DRAWER LEFT SIDE (3)
D	BOTTOM (1)	J	LEFT BASE (1)	D189	DRAWER BACK (3)
E	BACK (1)	K	FRONT MOLDING (1)	D994	DRAWER BOTTOM (3)
F	BRACE (2)	N	RIGHT MOLDING (1)	M64	DRAWER BRACE (3)

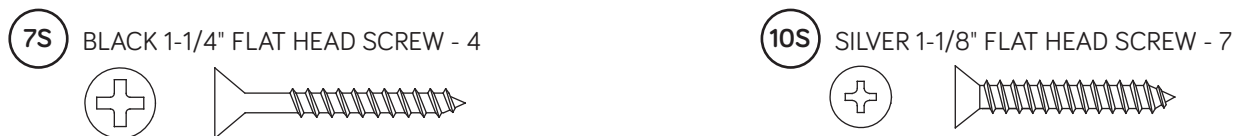


Hardware Identification

† Screws are shown actual size. You may receive extra hardware with your unit.



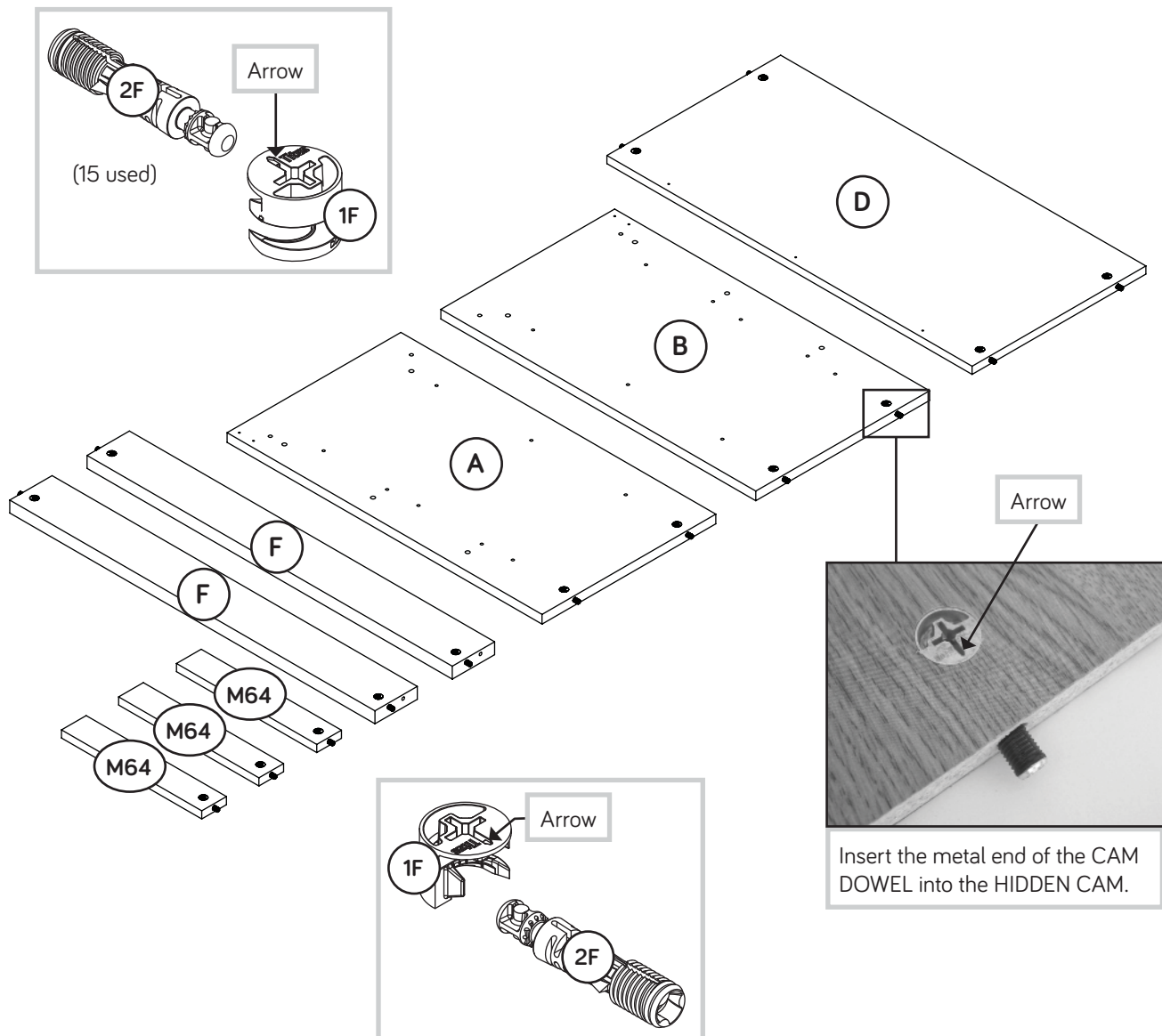
(Refer to Step 13 for proper location and application)



Step 1

- ✦ Assemble your unit on a carpeted floor or on the empty carton to avoid scratching your unit or the floor.
- ✦ Push fifteen HIDDEN CAMS (1F) into the ENDS (A and B), BOTTOM (D), BRACES (F), and DRAWER BRACES (M64). Then, insert the metal end of a CAM DOWEL (2F) into each HIDDEN CAM.

Do not tighten the HIDDEN CAMS in this step.



Step 2

Fasten the UNIVERSAL CABINET RAILS* (35AA) to the ENDS (A and B). Use twelve GOLD 5/16" FLAT HEAD SCREWS (3S) through holes #1 and #3.

*patent pending glide system



Remember:
Righty tighty.
Lefty loosey.



3S

GOLD 5/16" FLAT HEAD SCREW
(12 used in this step)

35AA

Glide end

35AA

Surface with
HIDDEN CAMS

A

Surface with
HIDDEN CAMS

B

Finished edge

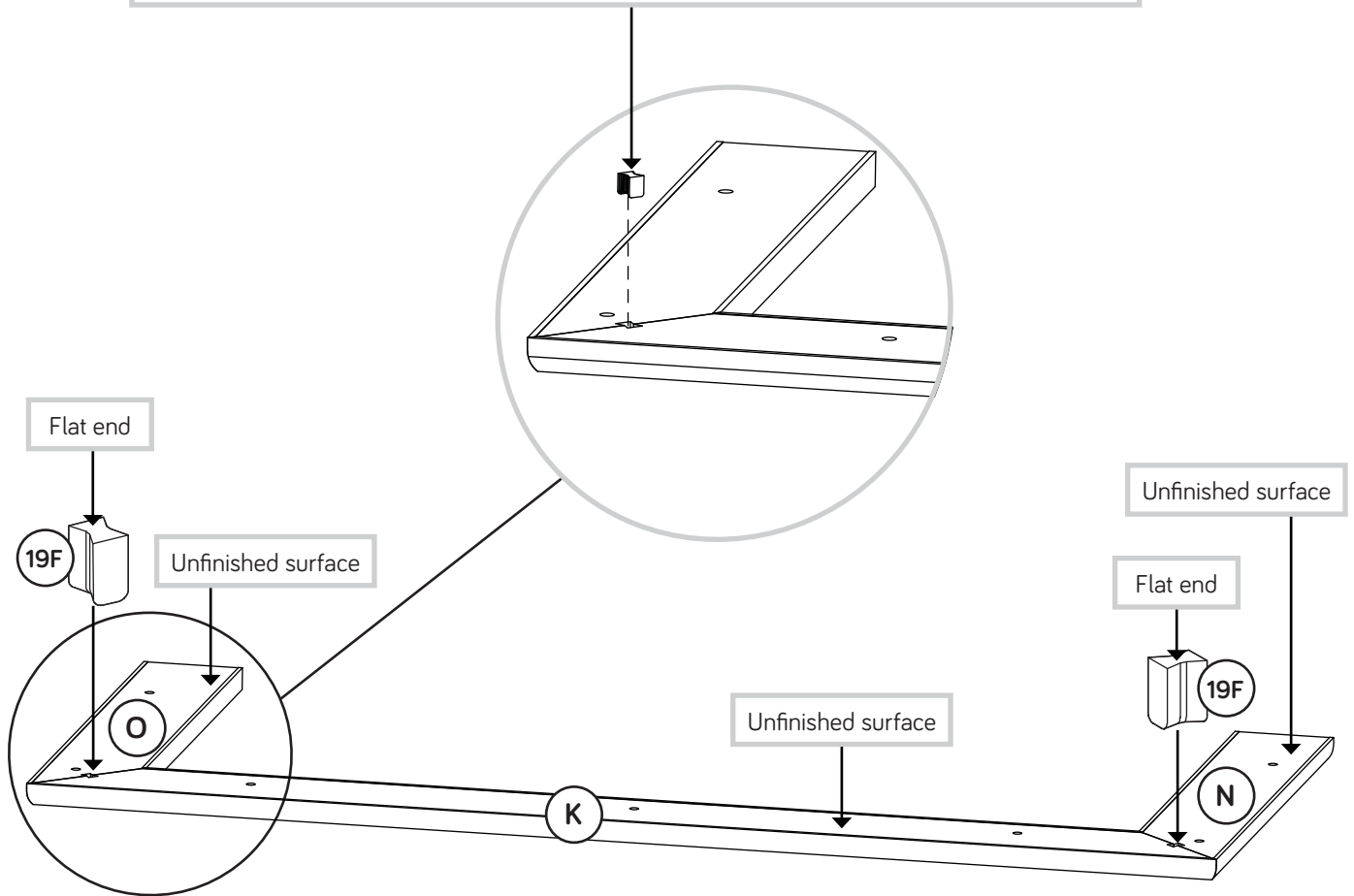
Glide end

Finished edge

Step 3

- Tap two MOLDING CONNECTORS (19F) into the notches in the MOLDINGS (K, N, and O).

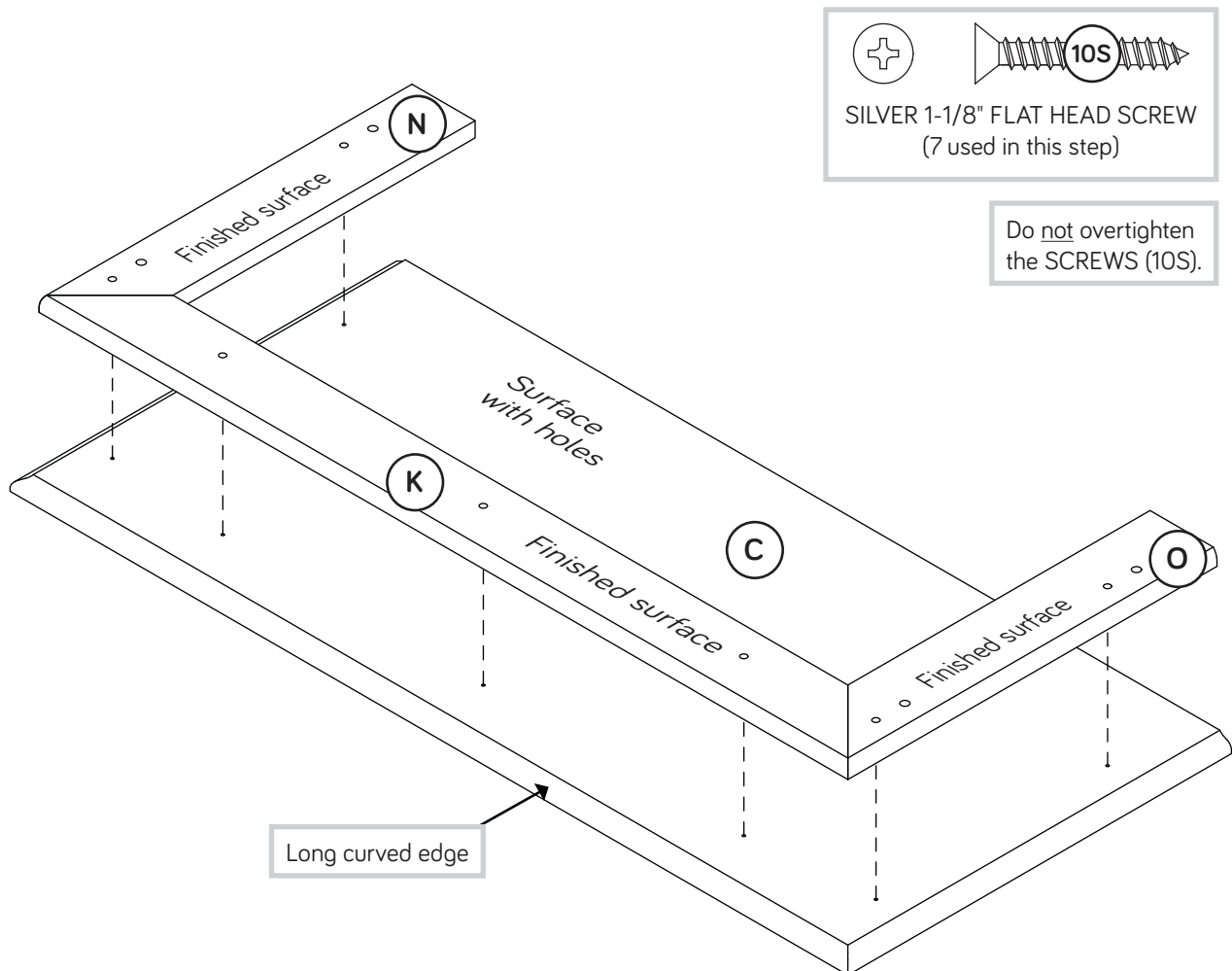
Use your hammer to tap the MOLDING CONNECTORS (19F) into the notches in the MOLDINGS.



Step 4

Fasten the TOP (C) to the MOLDINGS (K, N, and O). Use seven SILVER 1-1/8" FLAT HEAD SCREWS (10S).

NOTE: Do not overtighten the SCREWS into the TOP.



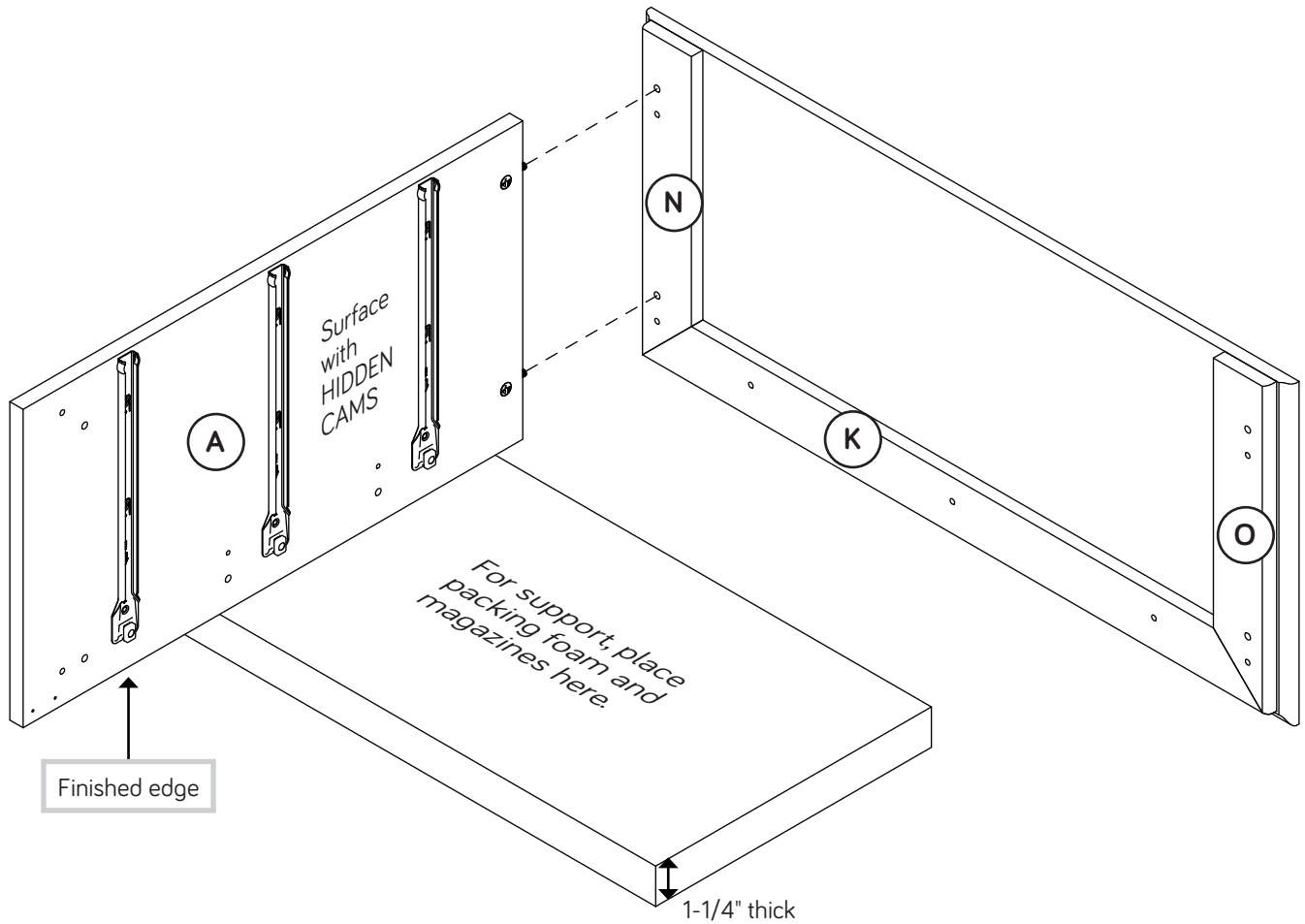
Step 5

- Fasten the RIGHT END (A) to the RIGHT MOLDING (N).
Tighten two HIDDEN CAMS.

NOTE: The foam support needs to be at least 1-1/4" thick.



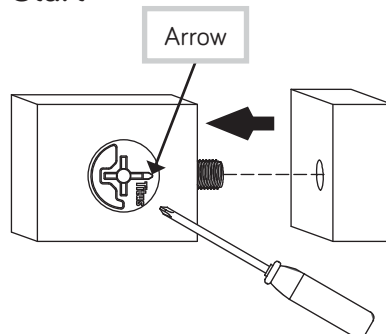
Do not stand the unit upright without the BACK fastened. The unit may collapse.



Caution

Risk of damage or injury. HIDDEN CAMS must be completely tightened. HIDDEN CAMS that are not completely tightened may loosen, and parts may separate. To completely tighten:

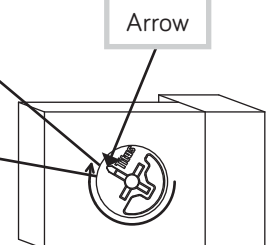
Start



Tighten

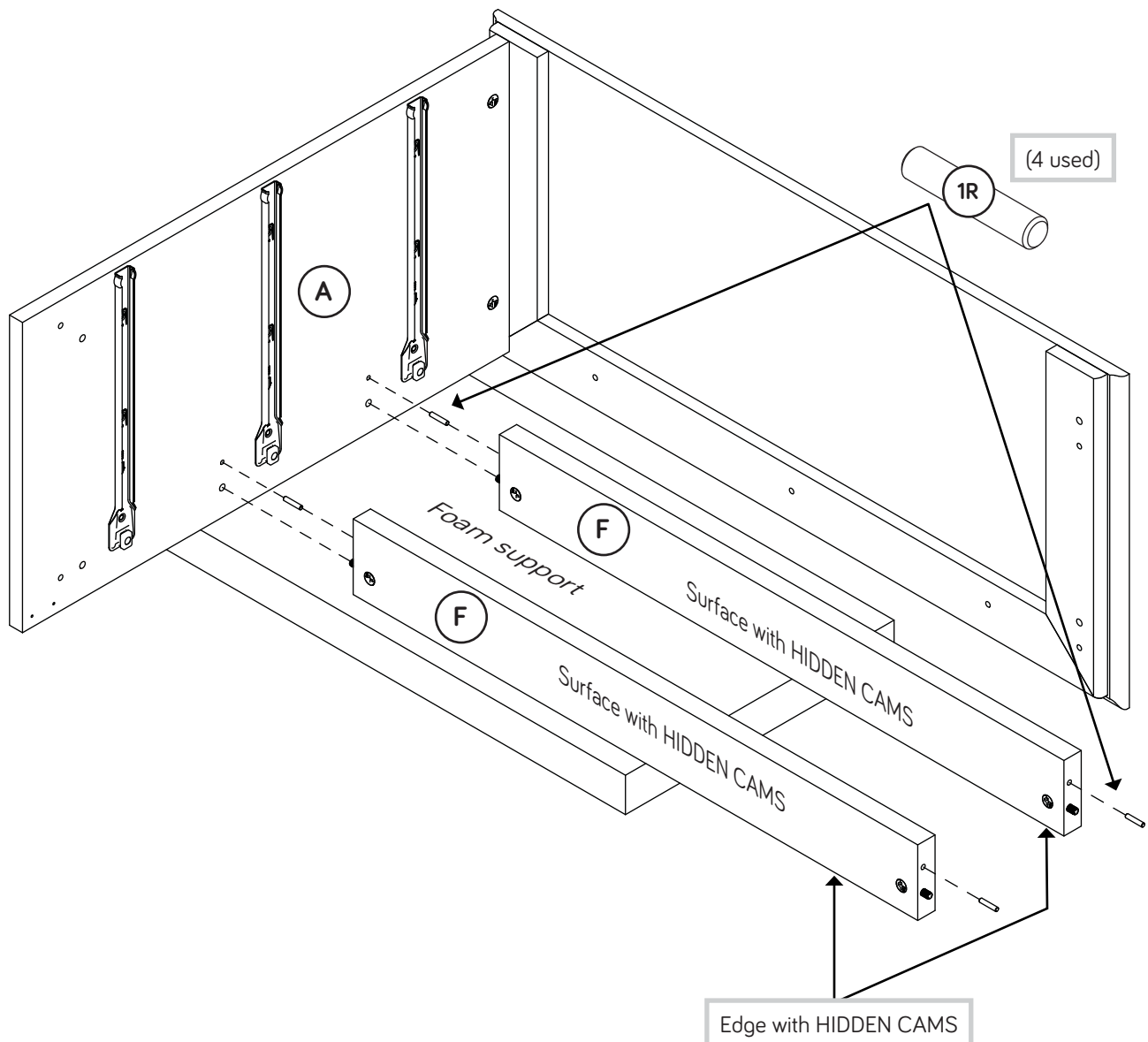
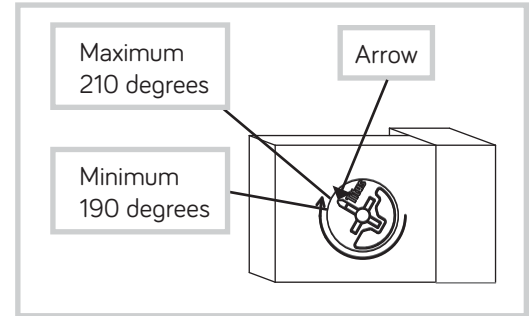
Maximum 210 degrees

Minimum 190 degrees



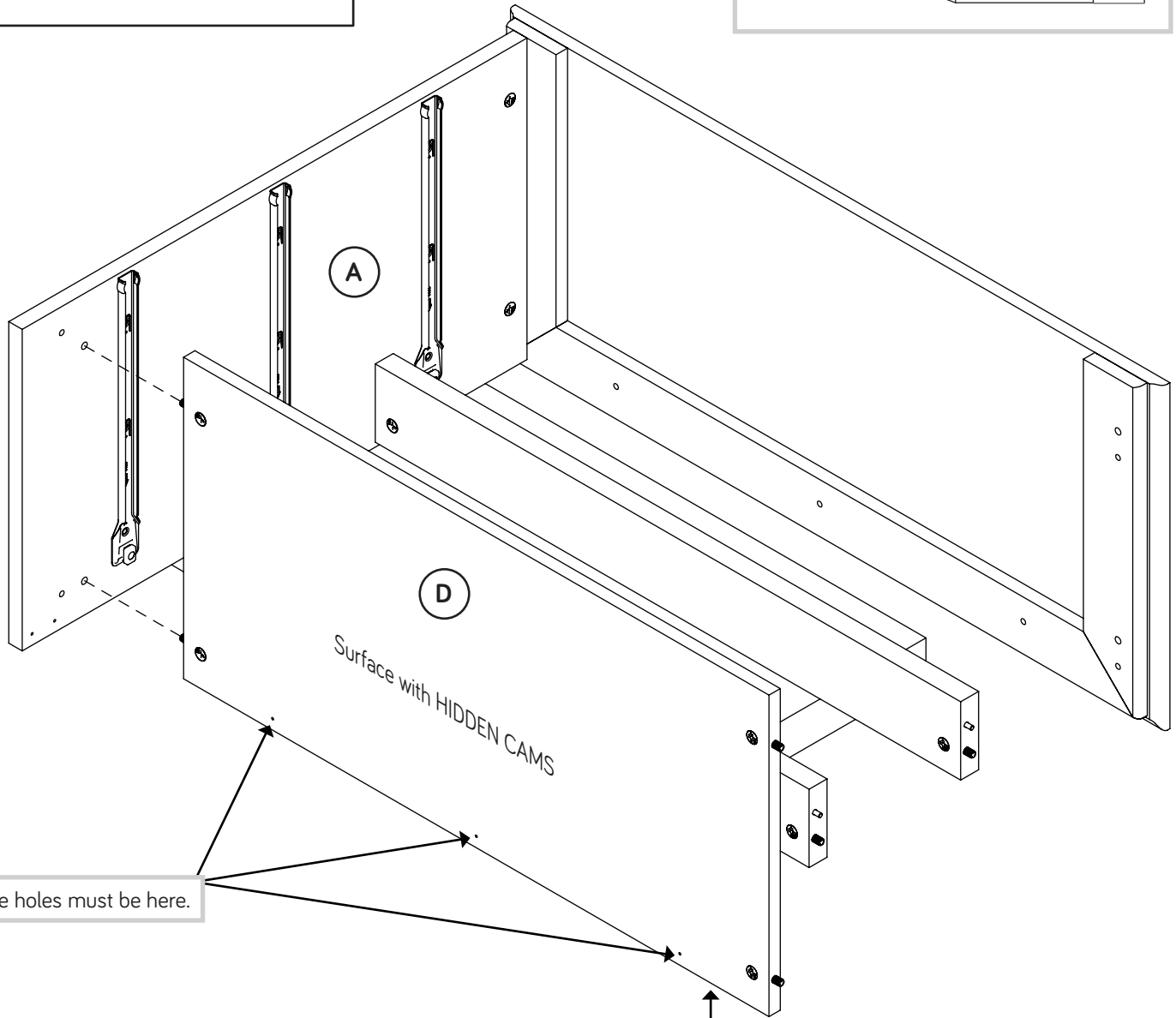
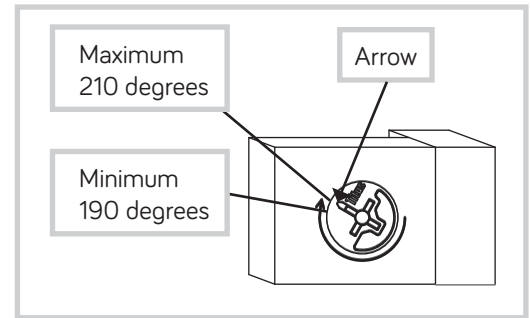
Step 6

- ✚ Insert four METAL PINS (1R) into the ends of the BRACES (F).
- ✚ Fasten the BRACES (F) to the RIGHT END (A). Tighten two HIDDEN CAMS.
- ✚ NOTE: Be sure the METAL PINS in the BRACES insert into the holes in the RIGHT END.



Step 7

Fasten the BOTTOM (D) to the RIGHT END (A). Tighten two HIDDEN CAMS.



These holes must be here.

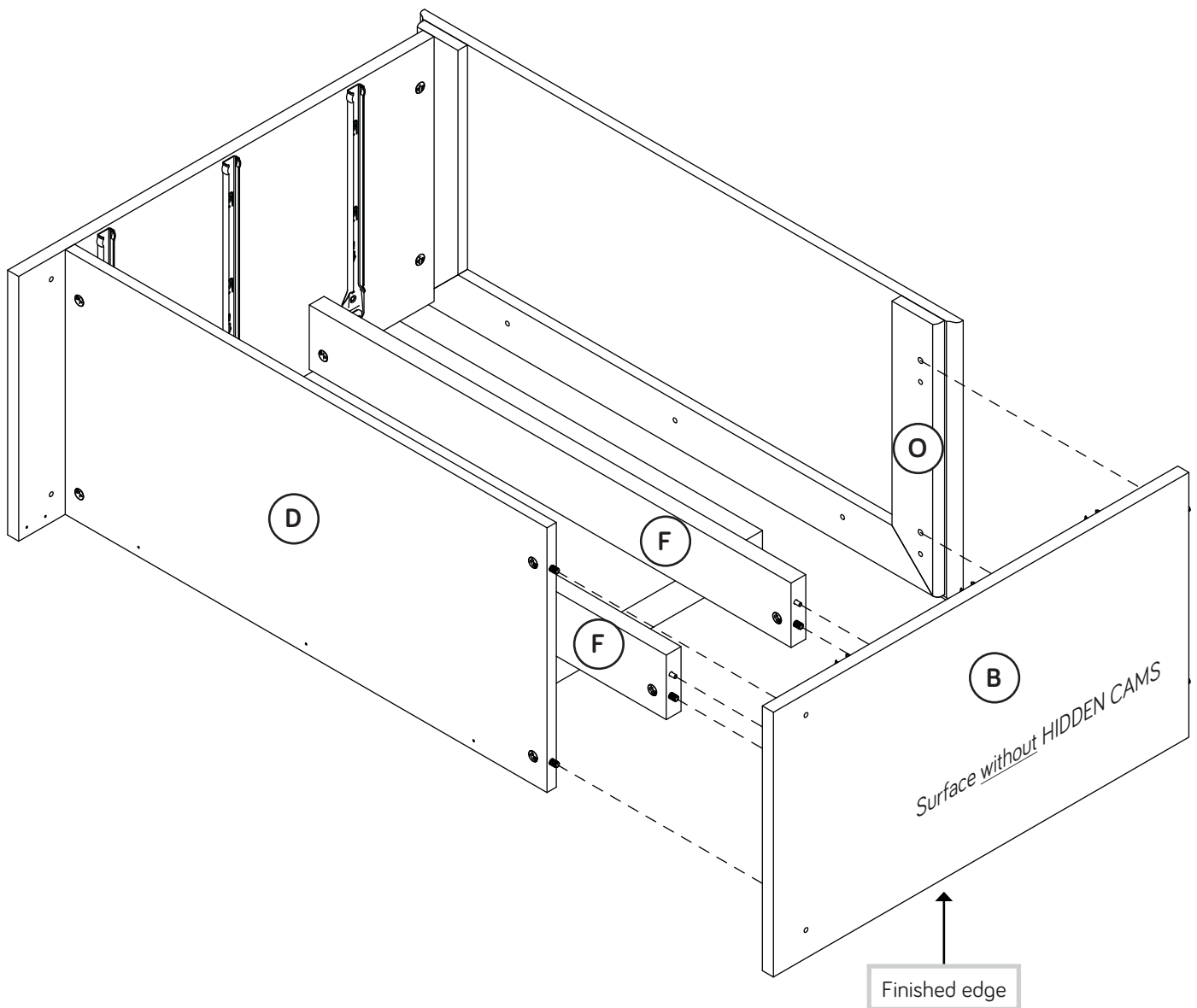
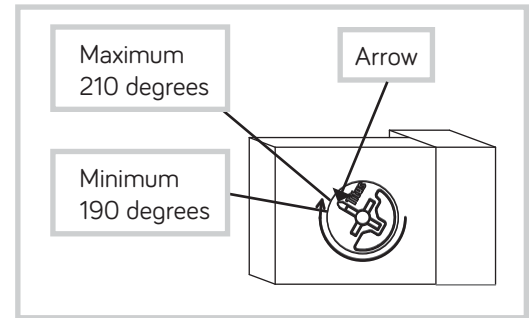
For support, place packing foam and magazines here.

Step 8

Fasten the LEFT END (B) to the BOTTOM (D), BRACES (F), and LEFT MOLDING (O). Tighten six HIDDEN CAMS.

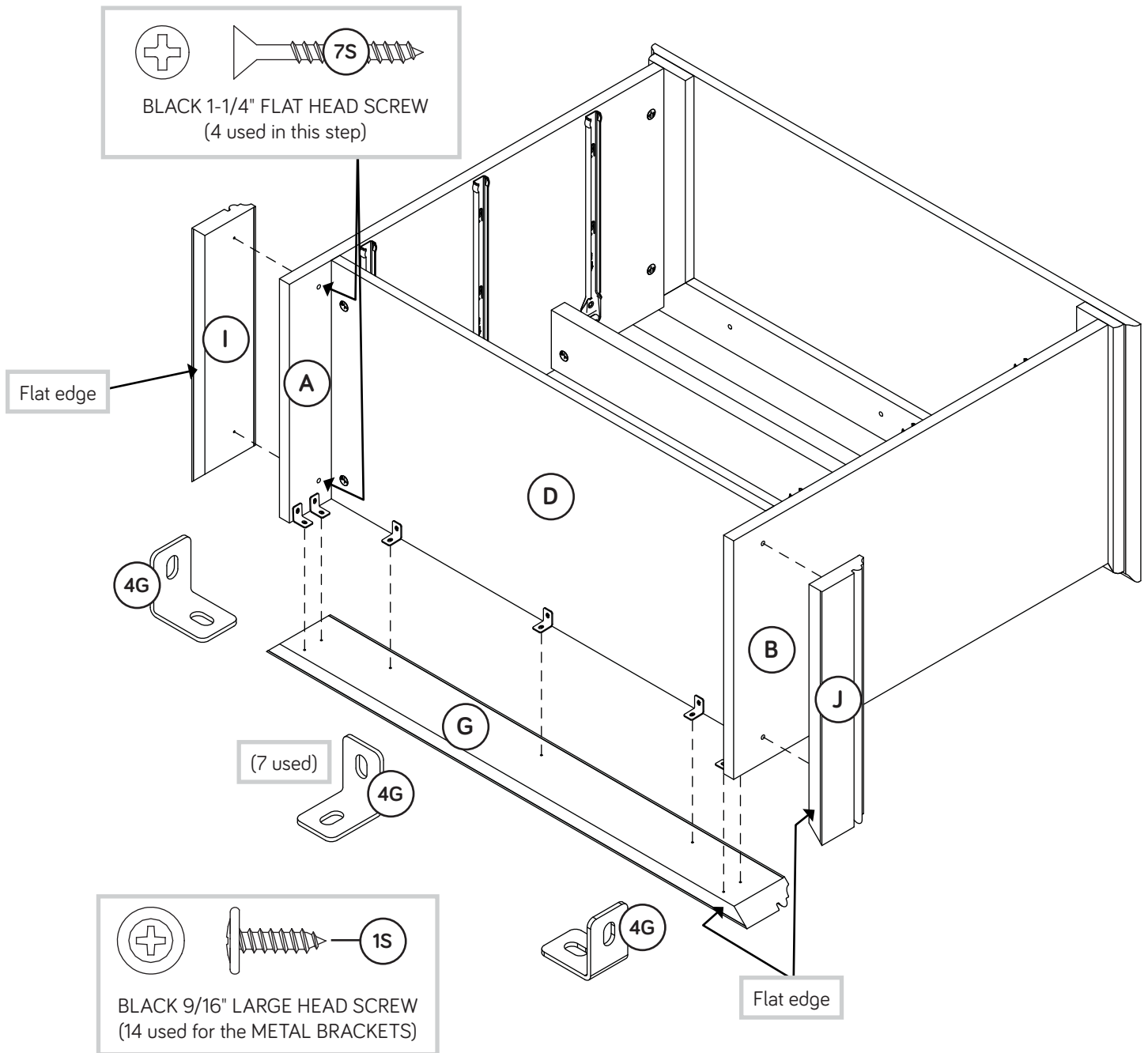
NOTE: Be sure the METAL PINS in the BRACES insert into the holes in the LEFT END.

NOTE: Use the Short Screwdriver for the HIDDEN CAMS in the BRACES.



Step 9

- Fasten seven METAL BRACKETS (4G) to the ENDS (A and B) and BOTTOM (D). Use seven BLACK 9/16" LARGE HEAD SCREWS (1S).
- NOTE:** Be sure the edges of the METAL BRACKETS are even with the edges of the ENDS and BOTTOM.
- Fasten the BASES (I and J) to the ENDS (A and B). Use four BLACK 1-1/4" FLAT HEAD SCREWS (7S).
- Fasten the BASE (G) to the ENDS (A and B) and BOTTOM (D). Use seven BLACK 9/16" LARGE HEAD SCREWS (1S) through the METAL BRACKETS and into the BASE.



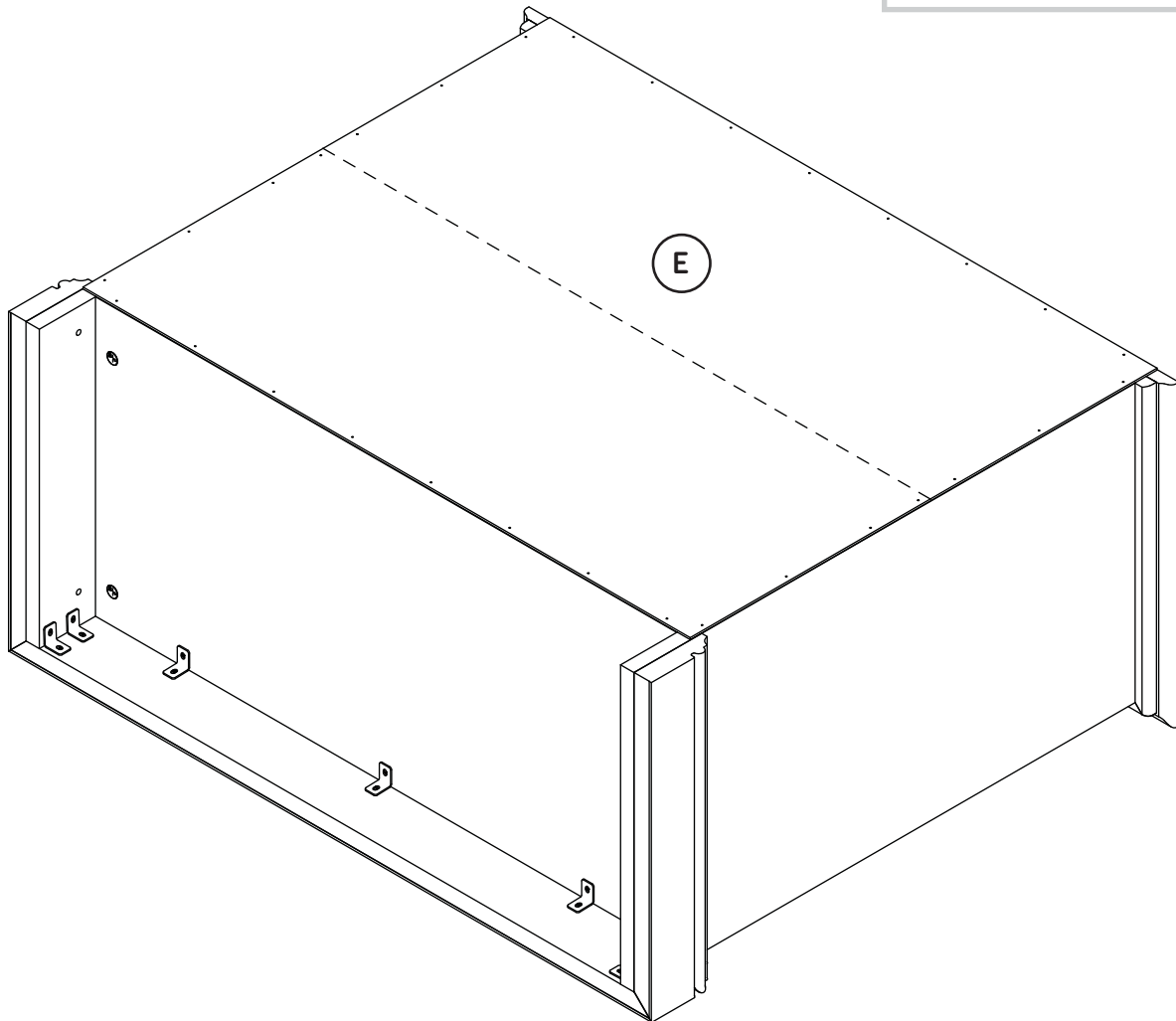
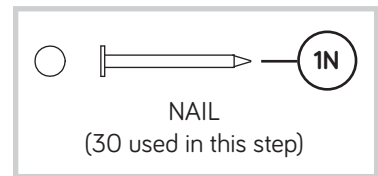
Step 10

- ✚ Unfold the BACK (E) and lay it over your unit.
- ✚ Make equal margins along all four edges of the BACK (E). Push on opposite corners of your unit if needed to make it "square".
- ✚ Fasten the BACK (E) to your unit using the NAILS (1N).



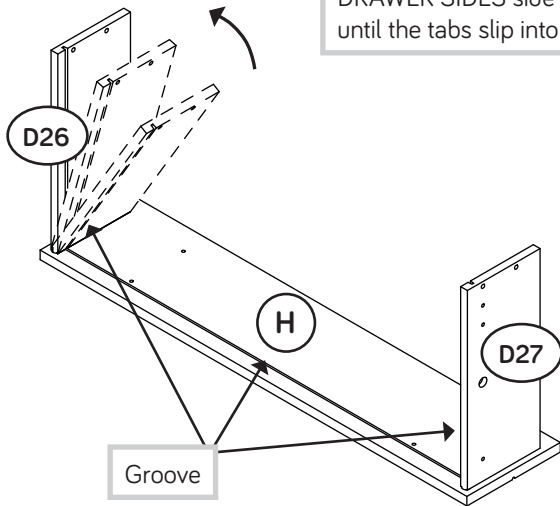
Caution

Do not stand the unit upright without the BACK fastened. The unit may collapse.



Step 11

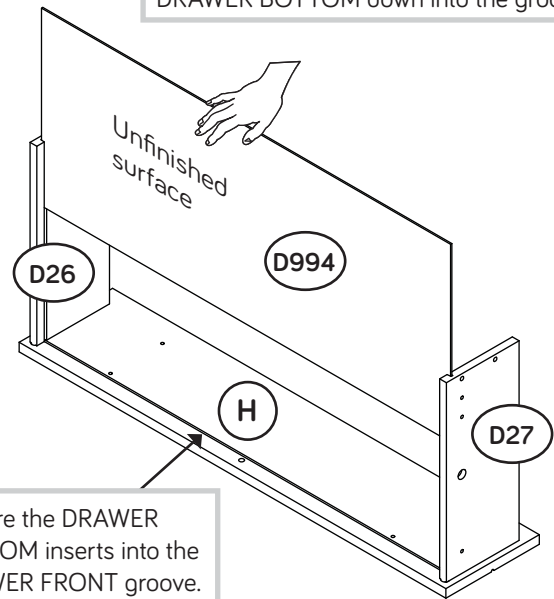
1



The tabs should insert freely into the slots. Gently tilt the DRAWER SIDES side to side until the tabs slip into the slots.

✚ Insert the DRAWER SIDES (D26 and D27) at an angle into the slot at each end of the DRAWER FRONT (H).

2

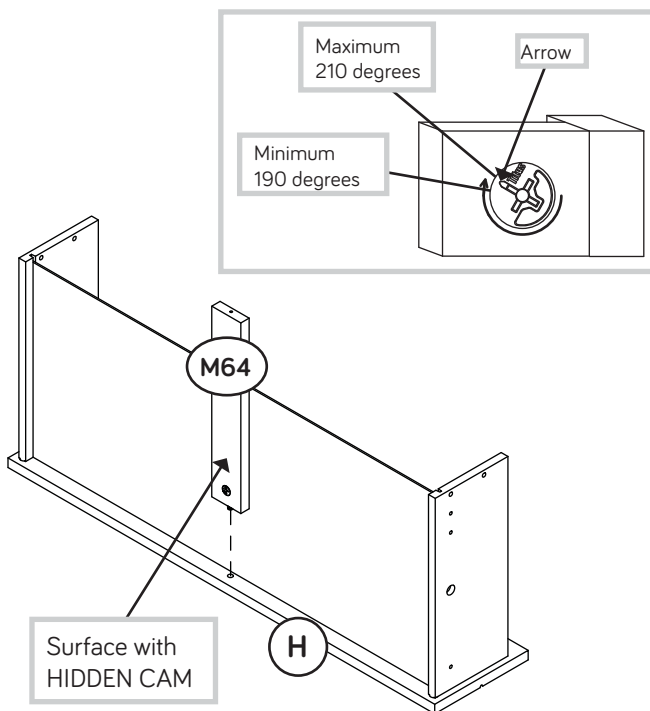


With the palm of your hand, tap the DRAWER BOTTOM down into the groove.

Be sure the DRAWER BOTTOM inserts into the DRAWER FRONT groove.

✚ Slide the DRAWER BOTTOM (D994) into the grooves in the DRAWER SIDES (D26 and D27) and DRAWER FRONT (H).

3



Maximum 210 degrees

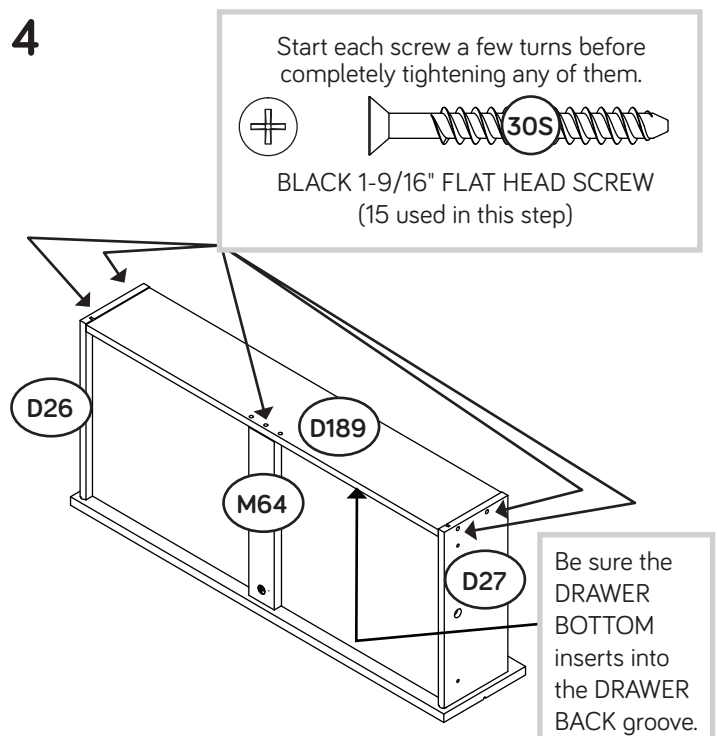
Arrow

Minimum 190 degrees

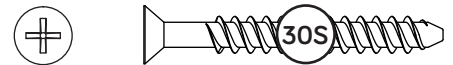
Surface with HIDDEN CAM

✚ Fasten the DRAWER BRACE (M64) to the DRAWER FRONT (H). Tighten one HIDDEN CAM.

4



Start each screw a few turns before completely tightening any of them.



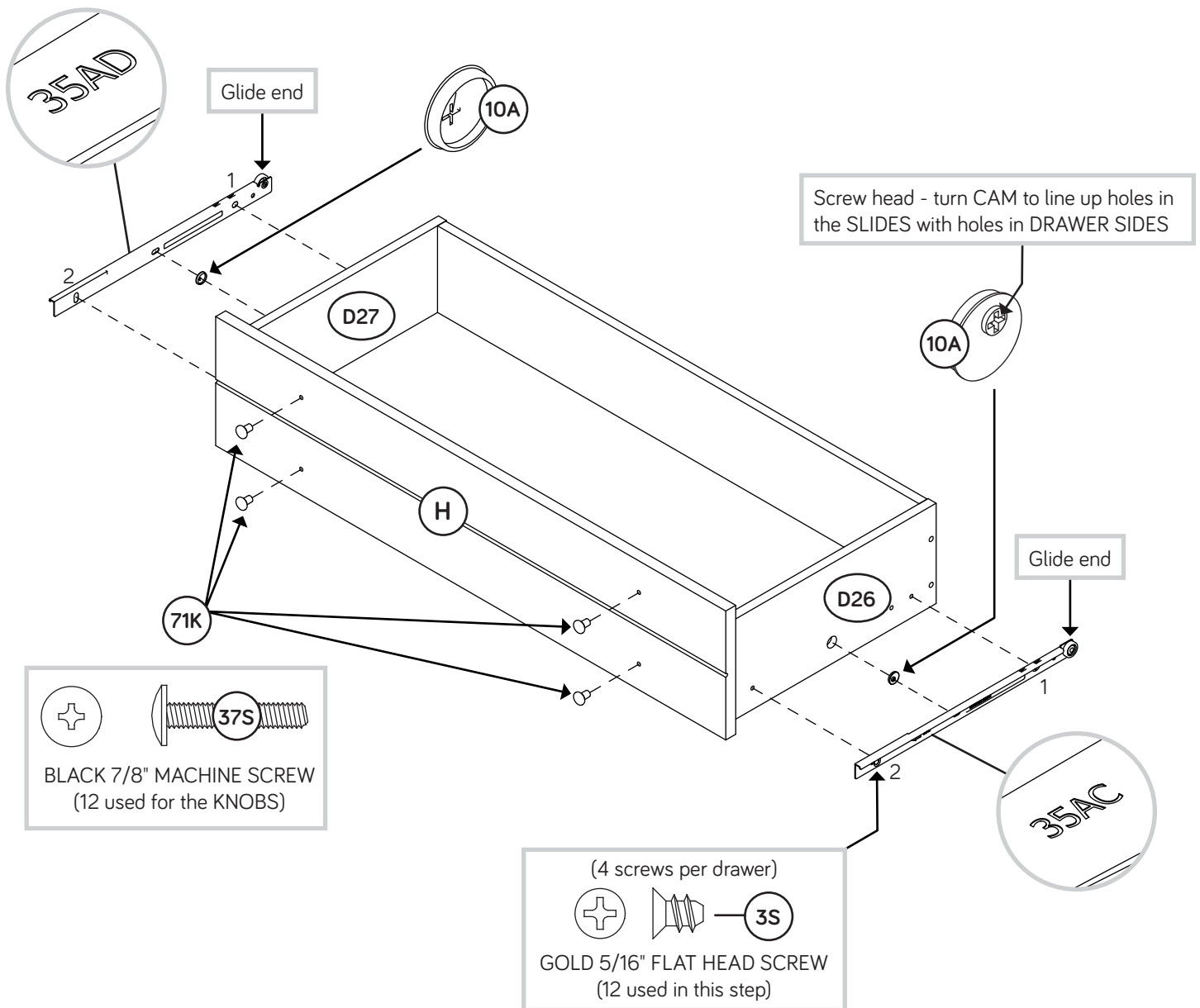
BLACK 1-9/16" FLAT HEAD SCREW (15 used in this step)

Be sure the DRAWER BOTTOM inserts into the DRAWER BACK groove.

✚ Fasten the DRAWER BACK (D189) to the DRAWER SIDES (D26 and D27) and DRAWER BRACE (M64). Use five BLACK 1-9/16" FLAT HEAD SCREWS. (30S). Repeat this step for the other DRAWERS.

Step 12

- ✚ Insert a SLIDE CAM (10A) into the DRAWER SIDES (D26 and D27).
- ✚ Fasten a DRAWER RIGHT (35AC) to the DRAWER RIGHT SIDE (D26) and a DRAWER LEFT (35AD) to the DRAWER LEFT SIDE (D27). Use four GOLD 5/16" FLAT HEAD SCREWS (3S) through holes #1 and #2.
- ✚ NOTE: The screw head in the CAM must be visible through the slotted hole in the SLIDE.
- ✚ NOTE: The parts are marked "DRAWER RIGHT" and "DRAWER LEFT" for easy identification.
- ✚ NOTE: The glides are not intended to rotate.
- ✚ Fasten four KNOBS (71K) to the DRAWER FRONT (H). Use four BLACK 7/8" MACHINE SCREWS (37S).
- ✚ Repeat this step for the other drawers.

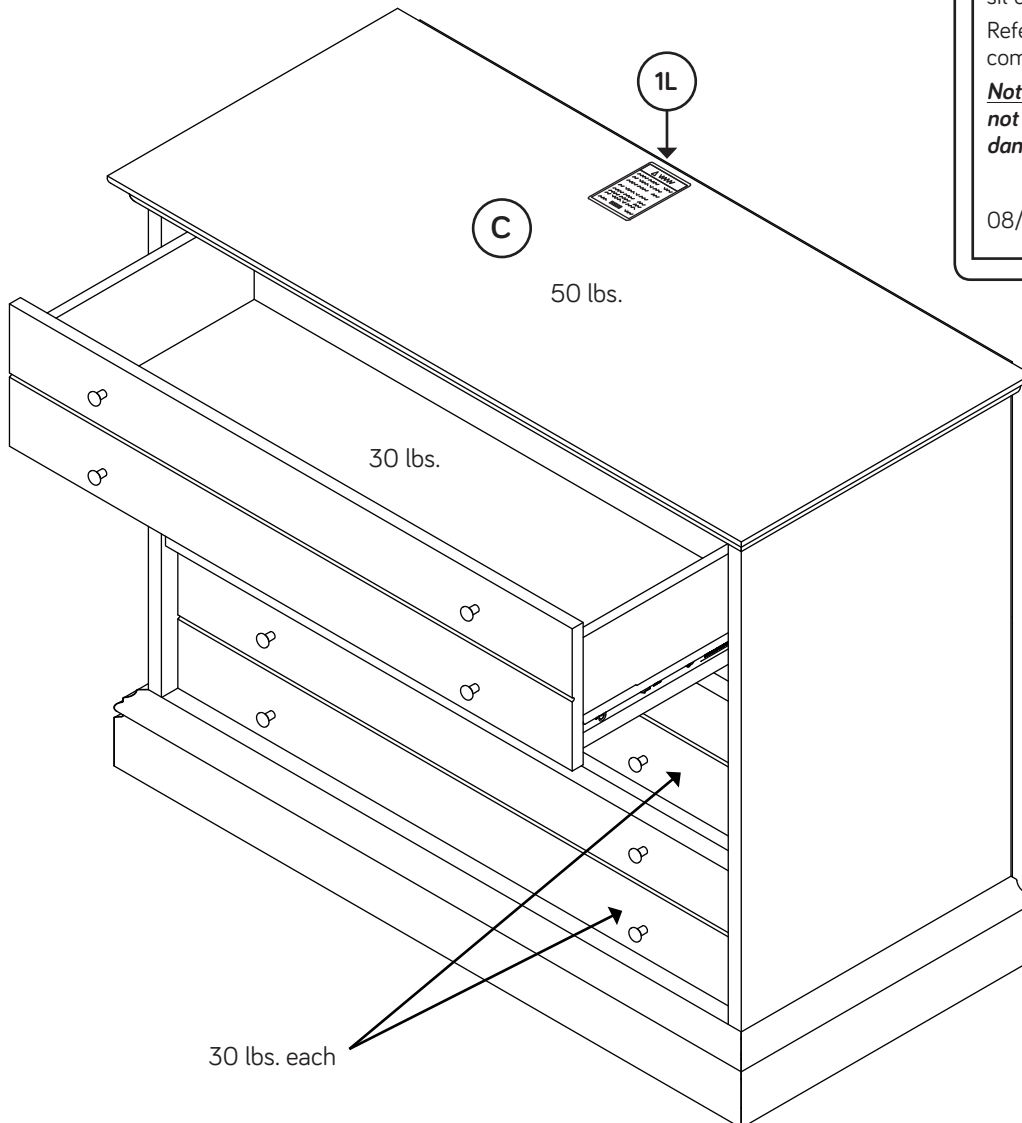


Step 13

- ✚ Carefully stand your unit upright.
- ✚ To insert the drawers into your unit, tip the front of the drawer down and drop the glides on the drawer behind the glides on the unit. Lift the front of the drawer up and slide it into the unit.
- ✚ Apply the WARNING LABEL (1L) to the TOP (C). You should be able to read the label when the TV is removed from the unit. When the TV is in place, it should hide the label. Peel off the backing and apply the label as shown in the diagram.
- ✚ **NOTE:** This is a permanent label intended to last for the life of the product. Once applied, do not try to remove it.



Pro Tip: Lift with your legs. And, you know, your arms.



⚠ WARNING

Never use this furniture with a TV that is too large or too heavy. Severe injury or death can occur. The TV and furniture will be unstable and may tip.

-The TV **must** weigh less than **50 lbs.**
-The base of the TV **must** be able to sit completely on this shelf.

Refer to instruction book for complete safety information.

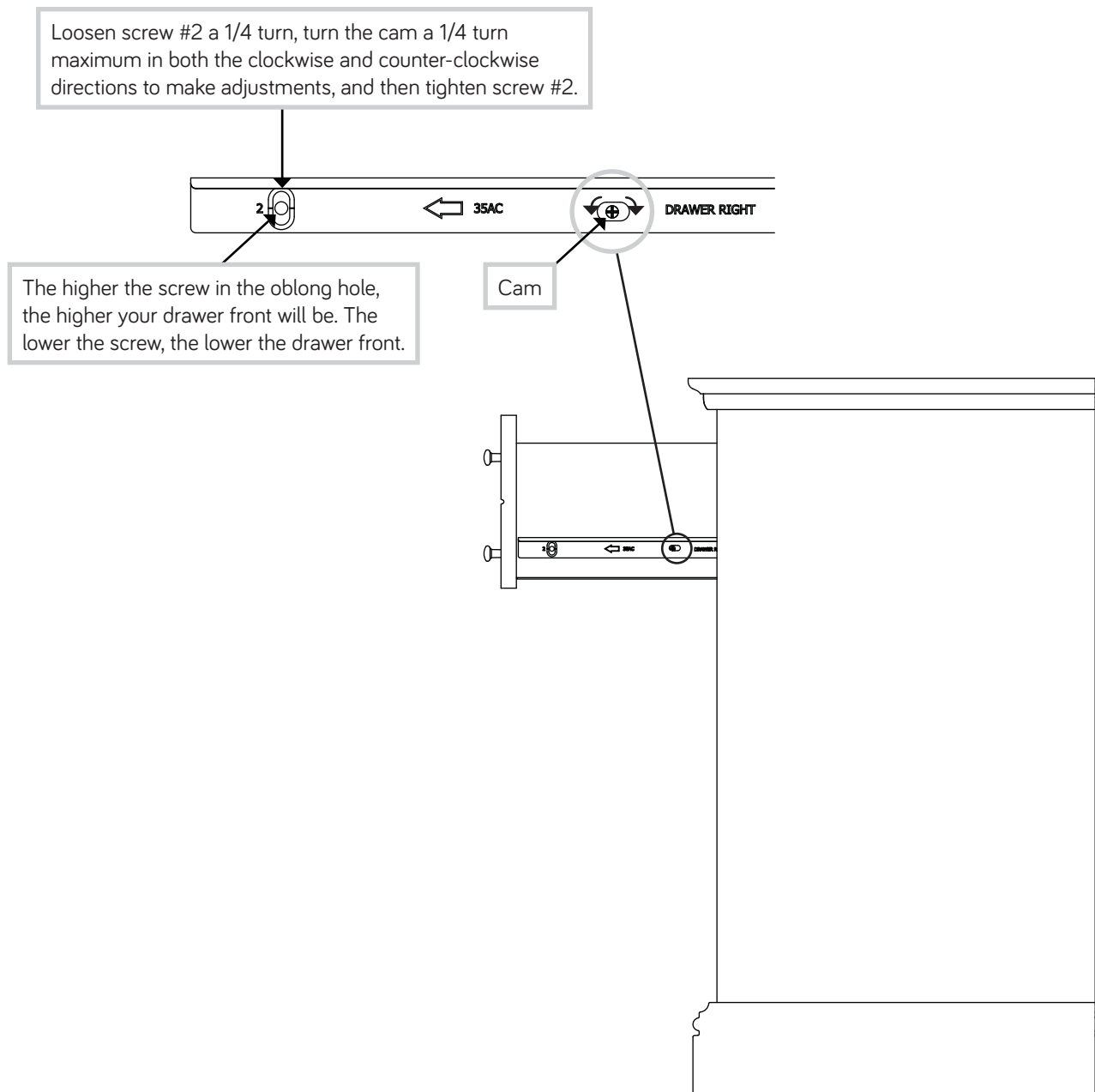
Note: This is a permanent label. Do not try to remove. Surface will be damaged.



08/05 2 6 9 2 2 0 269220

Step 14

- ✚ To make adjustments to the drawers, loosen SCREW #2 in the SLIDES a 1/4 turn, then turn the CAM clockwise or counter-clockwise. Notice how the drawer raises or lowers as you turn the CAM. The higher the screw in the oblong hole, the higher your drawer front will be. The lower the screw, the lower the drawer front. By adjusting the drawers this way, it will help the DRAWER FRONTS line up better when closed. Tighten the SCREW when finished with adjustments.
- ✚ NOTE: Please read the back pages of the instruction booklet for important safety information.
- ✚ This completes assembly. Clean with your favorite furniture polish or a damp cloth. Wipe dry.



⚠ WARNING

Please use your furniture correctly and safely. Improper use can cause safety hazards, or damage to your furniture or household items. **Carefully read the following chart.**

Look out for:	What can happen:	How to avoid the problem:
<ul style="list-style-type: none">• Overloaded dresser drawers and shelves.	<ul style="list-style-type: none">• Risk of injury.• Top-heavy furniture can tip over.• Overloaded drawers and shelves can break.	<ul style="list-style-type: none">• Never exceed the weight limits shown in the instructions.• Work from bottom to top when loading shelves and drawers. Place the heavier items on the lower shelves or in lower drawers.
<ul style="list-style-type: none">• Children climbing on furniture.• A child may try to reach a toy or other object by climbing on furniture.	<ul style="list-style-type: none">• Risk of injury or death.• A child climbing on a piece of furniture can make it top-heavy and cause it to tip over.	<ul style="list-style-type: none">• Never allow children to climb on or play with furniture. Do not place toys, food, etc. on the top shelves or upper drawers.
<ul style="list-style-type: none">• Placing TVs on furniture items that are not designed to support a television is hazardous.	<ul style="list-style-type: none">• Risk of injury or death. TVs can be heavy and the location of the picture tube tends to make TVs unbalanced and prone to tipping forward.	<ul style="list-style-type: none">• This product is not designed to support a television.
<ul style="list-style-type: none">• Improperly moving furniture that is not designed and equipped with casters.	<ul style="list-style-type: none">• Furniture can tip over or break if improperly moved.• Physical injury. Furniture can be very heavy.	<ul style="list-style-type: none">• Unload drawers and shelves from top to bottom before moving the furniture.• Do not push furniture, especially on a carpeted floor. Have a friend help you lift the unit and set it in place.• This unit must be positioned against a wall.